

404700 to 404799

Illustrated Parts List

Model Series

404700 to 404799

TYPE NUMBERS
1200 through 1207,
1211 through 1214,
1400, 1500, 1502,
1505.

**TO FIND
THE CORRECT NUMBER OF THE PART YOU NEED:
FOLLOW THE INSTRUCTIONS BELOW**

- A. Refer to Engine Model, Type and Code Number that is stamped on the blower housing of engine. Engine type numbers such as 0123 01 are listed only as 0123 in most instances. The two digits (01 or 02, etc.) to the right of the space may be required for more accurate parts identification in some instances. Select the Illustrated Parts List covering the correct Model Series and Type Number.
- B. Refer to the Illustrations and compare the original part with Illustration. The number next to the illustration is the Reference Number. Assemblies include all parts shown in frames. All parts shown in assembly frames having individual reference numbers can be purchased separately.
- C. After the Reference Number has been identified, refer to the Numerical text, where Reference and Primary Part Number are listed. **THE PRIMARY PART IS USED ON ALL TYPE NUMBERS EXCEPT THOSE TYPE NUMBERS UNDER "NOTE."**
- D. If a "Note" appears below the Primary Part Number, it means that this part differs from the Primary Part for certain types. If your Type number is listed under "Note," order the part referred to at the "Note."
- E. If your Engine Type Number does not appear after any part number listed under "Note," use the Primary Part Number.
- F. For Engine Type Numbers not covered by this book, check other Parts Lists having the same engine model or contact your source of supply.

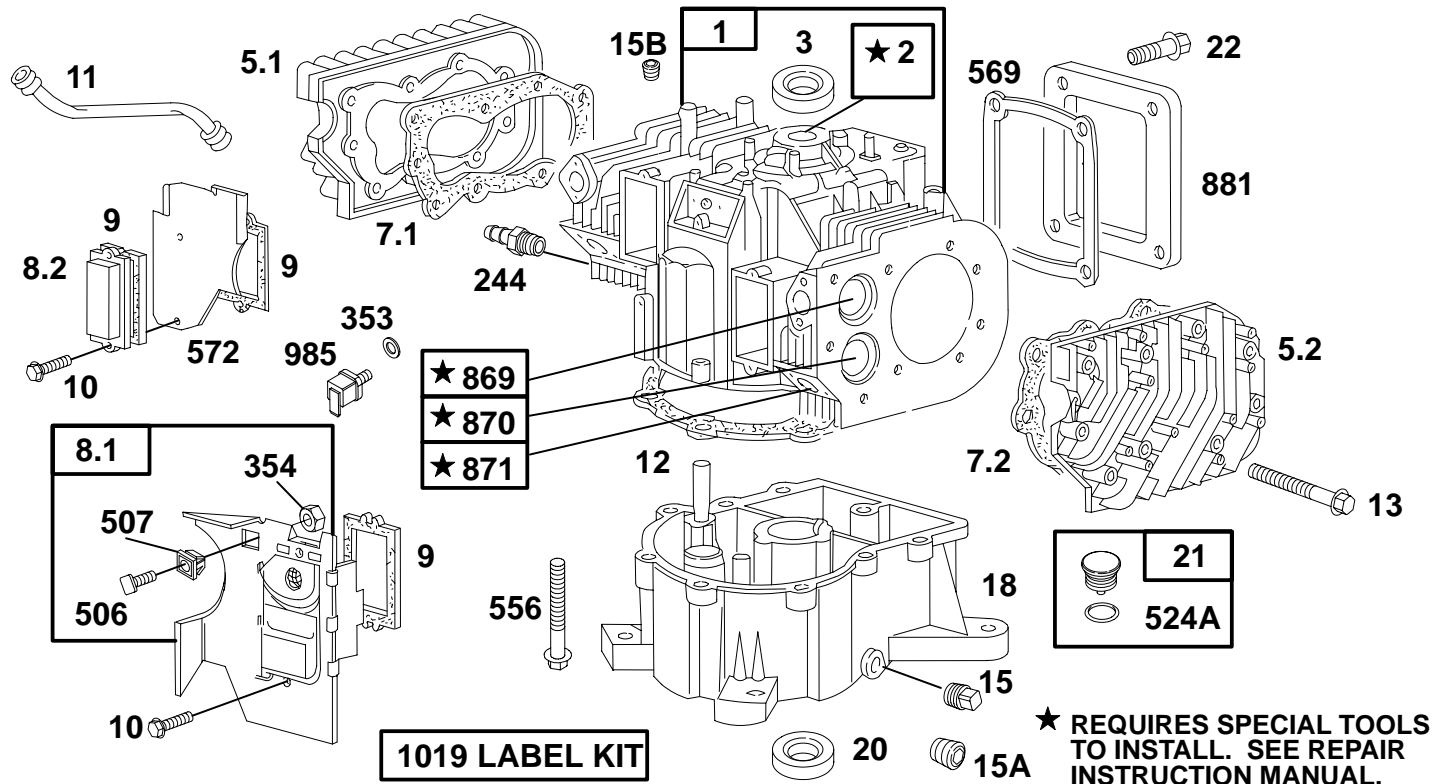
PRINTED IN U.S.A.

COPYRIGHT©

BRIGGS & STRATTON

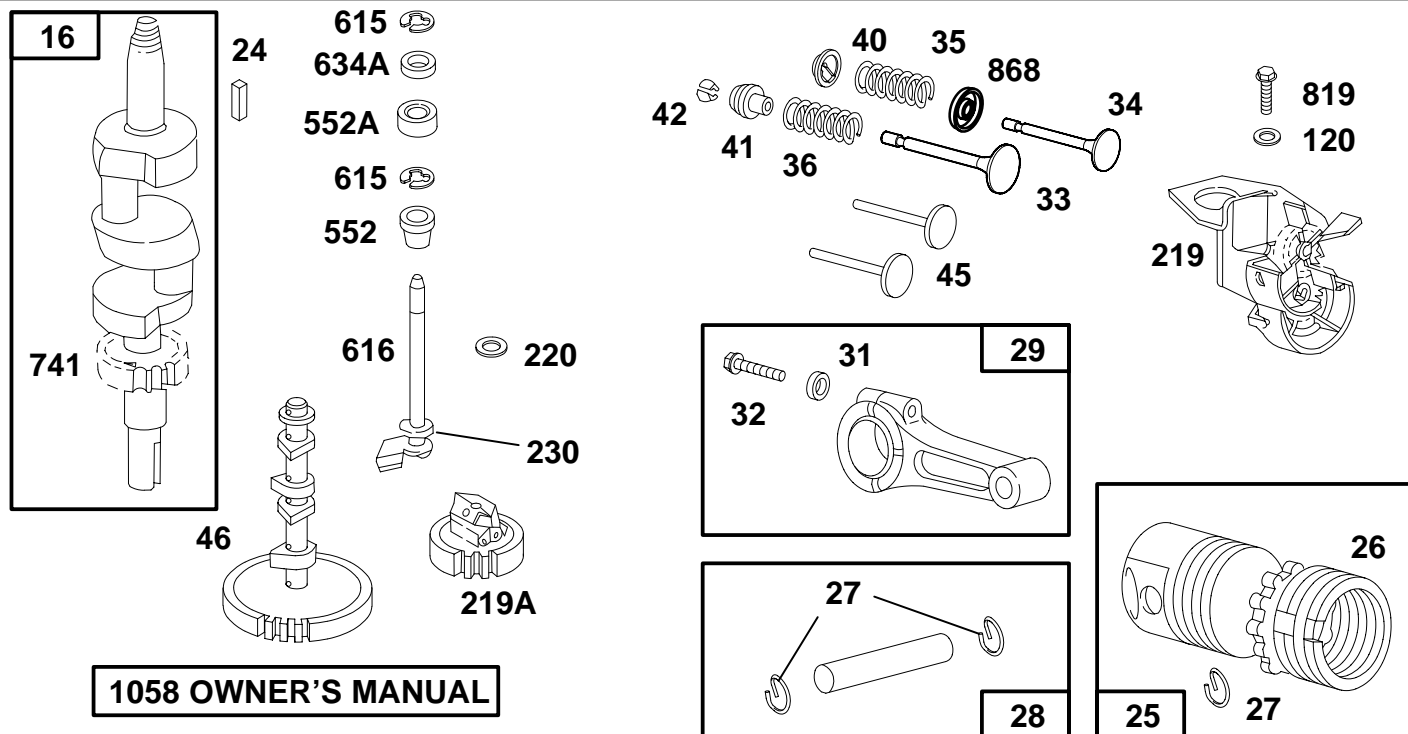
®

404700 to 404799



REF. NO.	PART NO.	DESCRIPTION	REF. NO.	PART NO.	DESCRIPTION	REF. NO.	PART NO.	DESCRIPTION
1	497074	Cylinder Assembly (Used After Code Date 91080600). 492438 Cylinder Assy. (Used Before Code Date 91080500). Note 492438 Cylinder Assy. Used on Model Series 404777.	12	★271703	Gasket-Crankcase (.015" Thick) ★271188 Gasket-Crankcase (.005" Thick) ★271189 Gasket-Crankcase (.009" Thick)	507	280180	Insulator (Used Before Code Date 93051700).
2	399265	Bushing	13	94565	Screw-Cylinder Head	524A	★271485	Seal-Plug Screw-Hex. Hd. See Last Pages.
3	★391086	Seal-Oil	15	94239	Plug-Oil Drain	556	★272062	Gasket-Sump
5.1	493457	Head-Cylinder #1	15A	94613	Plug-Oil Drain (Hex. Socket Head)	569	★224580	Baffle-Air (Cyl. #2) (Used After Code Date 91080600). Note 224362 Baffle-Air (Cyl. #2) (Used Before Code Date 91080500).
5.2	493458	Head-Cylinder #2	18	493304	Sump-Engine	869	261463	Seat-Int. Valve
7.1	★271867	Gasket-Cyl. Hd. #1	20	★291675	Seal-Oil	870	213316	Seat-Ex. Valve
7.2	★271868	Gasket-Cyl. Hd. #2	21	399195	Plug-Oil Fill	871	261961	Guide-Exhaust Valve Note 231218 Guide-Intake
8.1	398065	Breather Assy. (#1)	22	93882	Screw-Sem	881	222860	Plate-Cover
8.2	222892	Breather Assy. (Cylinder #2) (Used Only on Ref. 572 Air Baffle With Holes For Mounting)	24	230318	Connector-Fuel Line	985	398525	Insulator (Used After Code Date 93051600).
9	★27803	Gasket-Breather	353	92791	Washer-Lock (Used After Code Date 93051600).	1019	491259	Label Kit
10	94382	Screw-Sem	354	90576	Nut-Hex.			
11	280225	Tube-Breather	506	231174	Terminal (Used Before Code Date 93051700).			

★ Included in Gasket Set-Part No. 491856.
● Included in Carburetor Kit-Part No. 491539.
■ Included in Carburetor Kit-Part No. 491539 and Pump Repair Kit-Part No. 393397.



1058 OWNER'S MANUAL

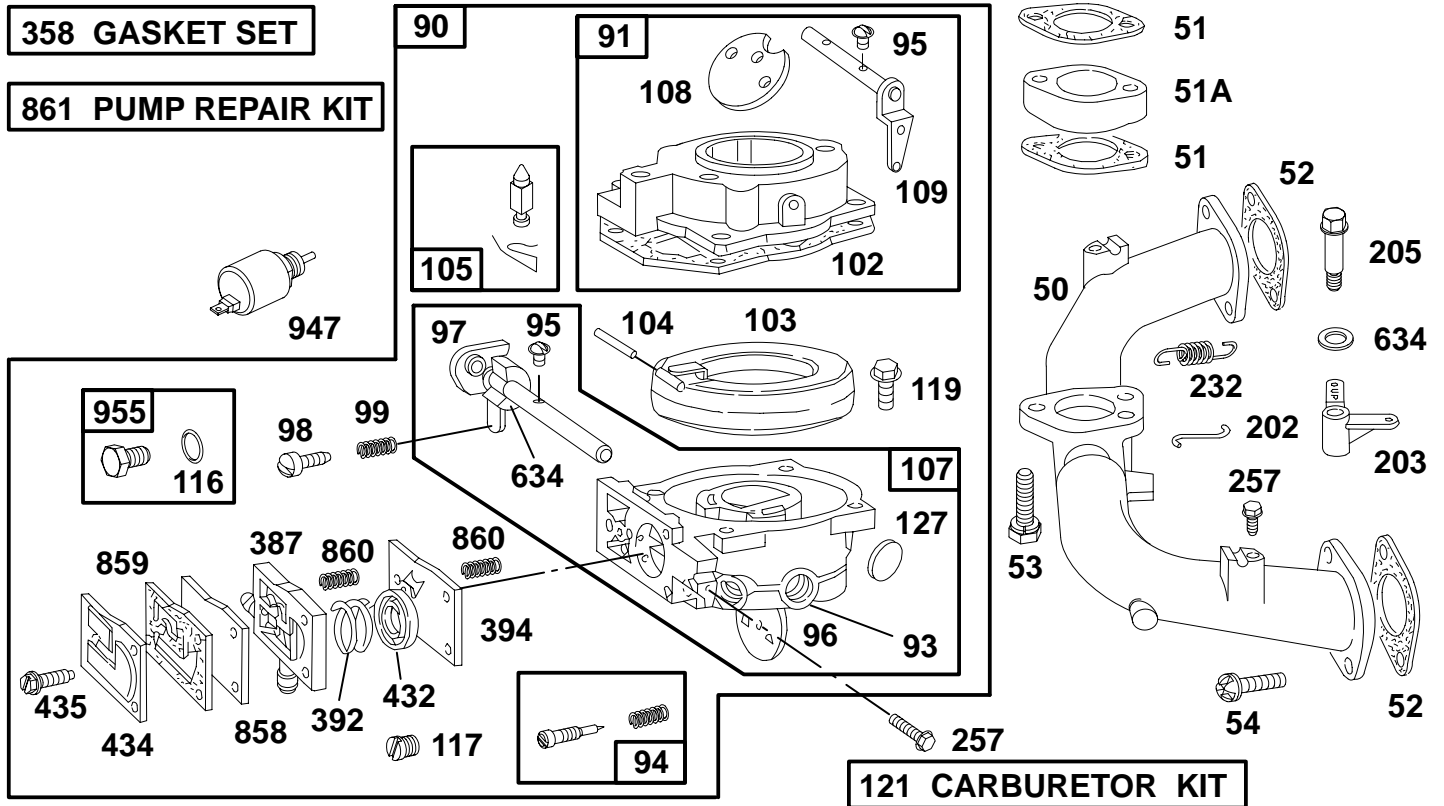
REF. NO.	PART NO.	DESCRIPTION	REF. NO.	PART NO.	DESCRIPTION	REF. NO.	PART NO.	DESCRIPTION
16	393382	Crankshaft _____ Note _____ For Timing Gear Key— Order Part No. 94196. 493236 Crankshaft Used on Type No(s). 1201, 1203.	29	393270	Rod—Connecting (Standard) 393714 Rod—Conn (.020" Undersize) 492667 Rod—Conn. Used on Model Series 404777. _____ Note _____ 492911 Rod—Conn. (.020" Undersize) Used on Model Series 404777.	34	261528	Valve—Intake
24	222698	Key—Flywheel	31	220863	Washer	35	65906	Spring—Valve (Intake)
25	394955	Piston Assy. (Standard) 394956 Piston Assy. (.010" O.S.) 394957 Piston Assy. (.020" O.S.) 394958 Piston Assy. (.030" O.S.)	32	94671	Screw—Conn. Rod (Used After Code Date 92083000). _____ Note _____ 92909 Screw—Conn. Rod (Used Before Code Date 92083100).	36	26828	Spring—Valve (Exhaust)
26	394959	Ring Set (Standard) 394960 Ring Set (.010" O.S.) 394961 Ring Set (.020" O.S.) 394962 Ring Set (.030" O.S.)	33	390419	Valve—Exhaust _____ Note _____ 390420 Valve—Exhaust Used on Type No(s). 1200, 1201, 1202, 1203, 1205, 1206, 1207, 1208, 1211, 1212, 1213, 1214, 1400, 1500, 1502.	40	221596	Retainer—Valve (Intake)
27	260924	Lock—Piston Pin	33	390419	Valve—Exhaust _____ Note _____ 390420 Valve—Exhaust Used on Type No(s). 1200, 1201, 1202, 1203, 1205, 1206, 1207, 1208, 1211, 1212, 1213, 1214, 1400, 1500, 1502.	41	292260	Retainer—Valve (Exhaust) _____ Note _____ 68293 Retainer—Valve Used on Type No(s). 1207.
28	299691	Pin—Piston (Standard) 391286 Pin—Piston (.005" O.S.)	33	390419	Valve—Exhaust _____ Note _____ 390420 Valve—Exhaust Used on Type No(s). 1200, 1201, 1202, 1203, 1205, 1206, 1207, 1208, 1211, 1212, 1213, 1214, 1400, 1500, 1502.	42	93630	Retainer—Valve (2)
						45	261368	Tappet—Valve
						46	213674	Gear—Cam
						120	92290	Washer—Lock
						219	393415	Gear—Governor
						219A	394348	Gear—Governor
						220	222773	Washer—Thrust
						230	223882	Washer—Gov. Crank
						552	262332	Lower Bushing—Gov.
						552A	262331	Upper Bushing—Gov.
						615	94296	Retainer—E-Ring
						616	491530	Crank—Governor
						634A	★491287	Seal—Governor Shaft
						741	262694	Gear—Timing
						819	93686	Screw—Hex. Hd.
						868	393606	Seal Assy.—Valve
						1058	272112	Owner's Manual

★ Included in Gasket Set—Part No. 491856.

● Included in Carburetor Kit—Part No. 491539.

■ Included in Carburetor Kit—Part No. 491539 and Pump Repair Kit—Part No. 393397.

404700 to 404799

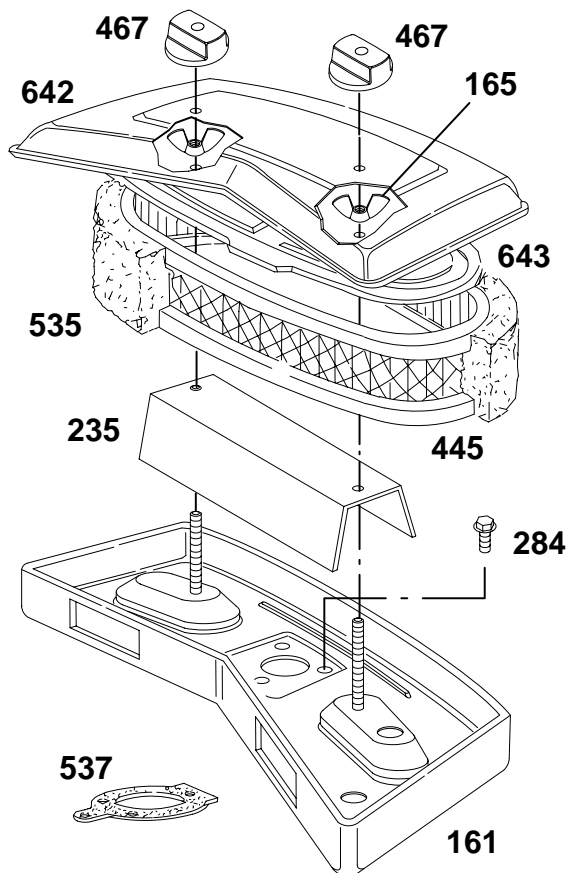
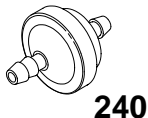
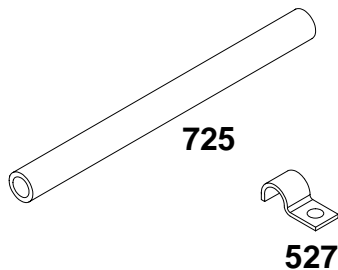
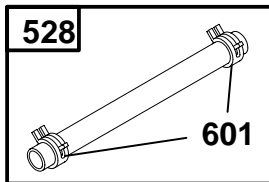
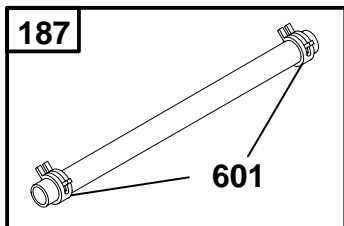


REF. NO.	PART NO.	DESCRIPTION	REF. NO.	PART NO.	DESCRIPTION	REF. NO.	PART NO.	DESCRIPTION	
50	213290	Manifold-Intake	97	392672	Shaft-Throttle			(Used Before Code Date 89120500).	
		Note	98	91920	Screw-Fil. Hd.	203	280997	Crank-Bell	
	491734	Manifold-Intake	99	26157	Spring-Throttle Adj.			(Used After Code Date 89120400).	
		Use(s):	102	●271609	Gasket-Carb. Body			Note	
	91488	Plug-Pipe	103	298514	Float-Carburetor			493230 Crank-Bell	
		Used on Type No(s) 1207.	104	●230896	Pin-Float Hinge			(Used Before Code Date 89120500).	
51	★●271412	Gasket-Carb. Mtg.	105	●394683	Valve-Fuel Inlet				
51A	280319	Spacer-Carburetor	107	491531	Body-Lower Carb.				
52	★270884	Gasket-Intake Manifold	108	223534	Valve-Choke				
53	93970	Screw-Hex. Head	109	392673	Shaft-Choke	205	93971	Screw-Hex. Head	
54	93208	Screw-Sem	116	★280474	O-Ring	232	262539	Spring-Backlash	
90	495026	Carburetor	117	231339	Jet-Needle Valve (Fixed)	257	93897	Screw-Sem	
91	495054	Body Assembly-Upper (Used After Code Date 92021600).			Note	358	491856	Gasket Set	
		Note	119	94152	Screw-Hex. Hd.	377	280197	Body-Pump	
	399327	Body Assy.-Upper (Used Before Code Date 92021700).	121	491539	Carburetor Kit	392	■261395	Spring-Pump	
93	231209	Bushing-Throttle Shaft	127	●223472	Plug-Welch	394	■270988	Diaphragm	
94	●491538	Valve-Idle Adjust	202	262684	Link-Throttle (Used After Code Date 89120400).	432	■221377	Cap-Spring	
95	93499	Screw-Sem			Note	434	223688	Cover-Diaphragm	
96	223370	Valve-Throttle			493230	Link-Throttle	435	93829	Screw-Diaph. Cover
							634	●271013	Washer (Thr. Shaft)
							858	■270989	Diaphragm-Carb.
							859	■271025	Gasket-Carb. Pump
							860	■261358	Spring (2)
							861	393397	Repair Kit-Pump
							947	397266	Solenoid
							955	397882	Plug-Solenoid

★ Included in Gasket Set-Part No. 491856.

● Included in Carburetor Kit-Part No. 491539.

■ Included in Carburetor Kit-Part No. 491539 and Pump Repair Kit-Part No. 393397.



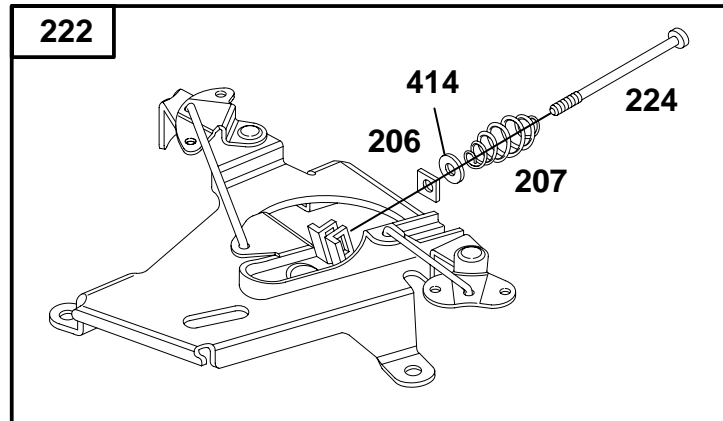
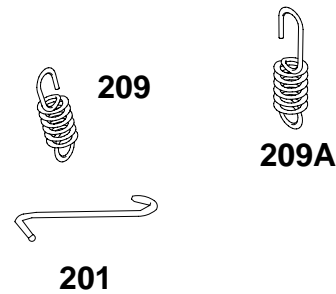
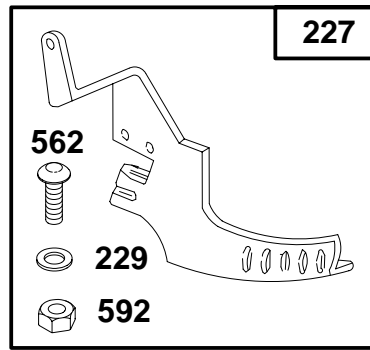
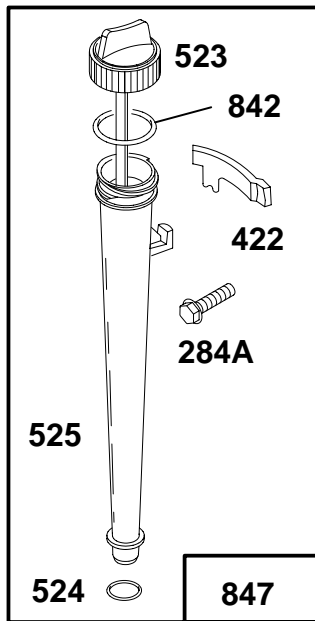
REF. NO.	PART NO.	DESCRIPTION	REF. NO.	PART NO.	DESCRIPTION	REF. NO.	PART NO.	DESCRIPTION
161	398826	Base—Air Cleaner	235	224039	Shield—Fuel Spray	535	271271	Filter—Air
165	94289	Nut—Wing	240	394358	Filter—Fuel	537	★●271411	Gasket—Air Cleaner
187	299146	Line—Fuel (28" Long, Cut to Suit).	284	94166	Screw—Hex. Hd.	601	93053	Clamp—Hose
		Note	445	394019	Filter—Air	642	223579	Cover—Air Cleaner
		393815 Line—Fuel (11-1/4" Long, Cut To Suit).	467	493903	Knob	643	223714	Retainer—Air Filter
			527	223167	Clamp—Tube	725	280866	Shield—Heat (20")
			528	393815	Pipe—Fuel			

★ Included in Gasket Set—Part No. 491856.

● Included in Carburetor Kit—Part No. 491539.

■ Included in Carburetor Kit—Part No. 491539 and Pump Repair Kit—Part No. 393397.

404700 to 404799

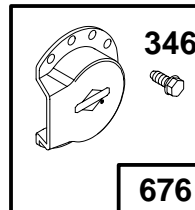
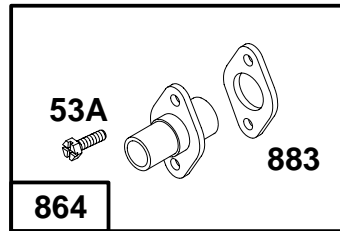
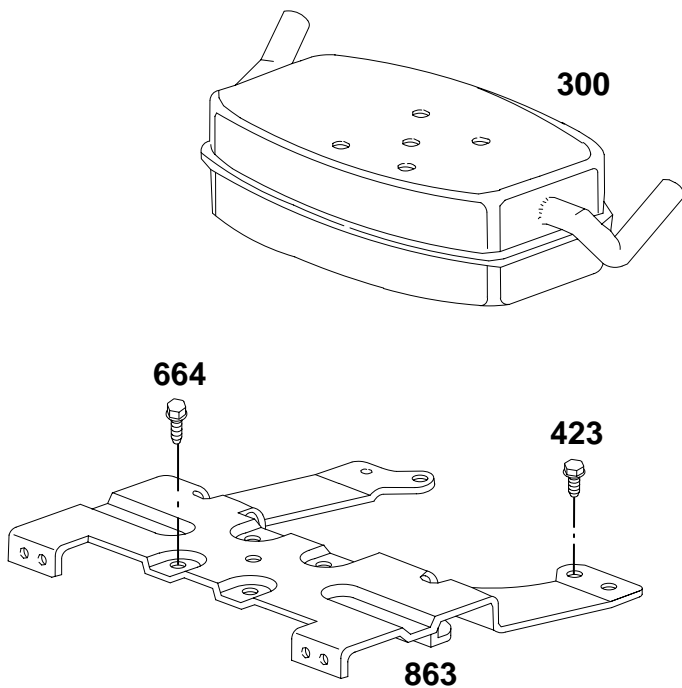


REF. NO.	PART NO.	DESCRIPTION	REF. NO.	PART NO.	DESCRIPTION	REF. NO.	PART NO.	DESCRIPTION
201	262683	Link-Governor (Used After Code Date 89120400). Note 493230 Link-Gov. (Used Before Code Date 89120500).	209A	261563	Spring-Governor Idle	525	495348	Tube-Oil Filler (Used After Code Date 92071900). Note 280224 Tube-Oil Fill (Used Before Code Date 92072000).
206	94298	Nut-Square	222	491282	Bracket-Control	562	93853	Bolt-Gov. Lever
207	262337	Spring-Compression	224	94297	Screw-Pan Hd.	592	92278	Nut-Hex.
209	262351	Spring-Governor Note 262352 Spring-Gov. Used on Type No(s) 1205, 1206, 1212, 1505. 262441 Spring-Gov. Used on Type No(s) 1207.	227	491297	Lever Assy.-Governor	842	★271170	Seal-Oil Filler Cap
			229	222289	Washer	847	495715	Tube Assy.-Oil (Used After Code Date 92071900). Note 394394 Tube Assy.-Oil (Used Before Code Date 92072000).
			258	93949	Screw-Sem			
			284A	93469	Screw-Hex. Hd.			
			414	220680	Washer			
			422	222875	Bracket-Oil Fill			
			523	494947	Cap-Oil Fill (Used After Code Date 92071900). Note 394020 Cap-Oil Fill (Used Before Code Date 92072000).			
			524	★271157	Seal-Filler Tube			

★ Included in Gasket Set-Part No. 491856.

● Included in Carburetor Kit-Part No. 491539.

■ Included in Carburetor Kit-Part No. 491539 and Pump Repair Kit-Part No. 393397.



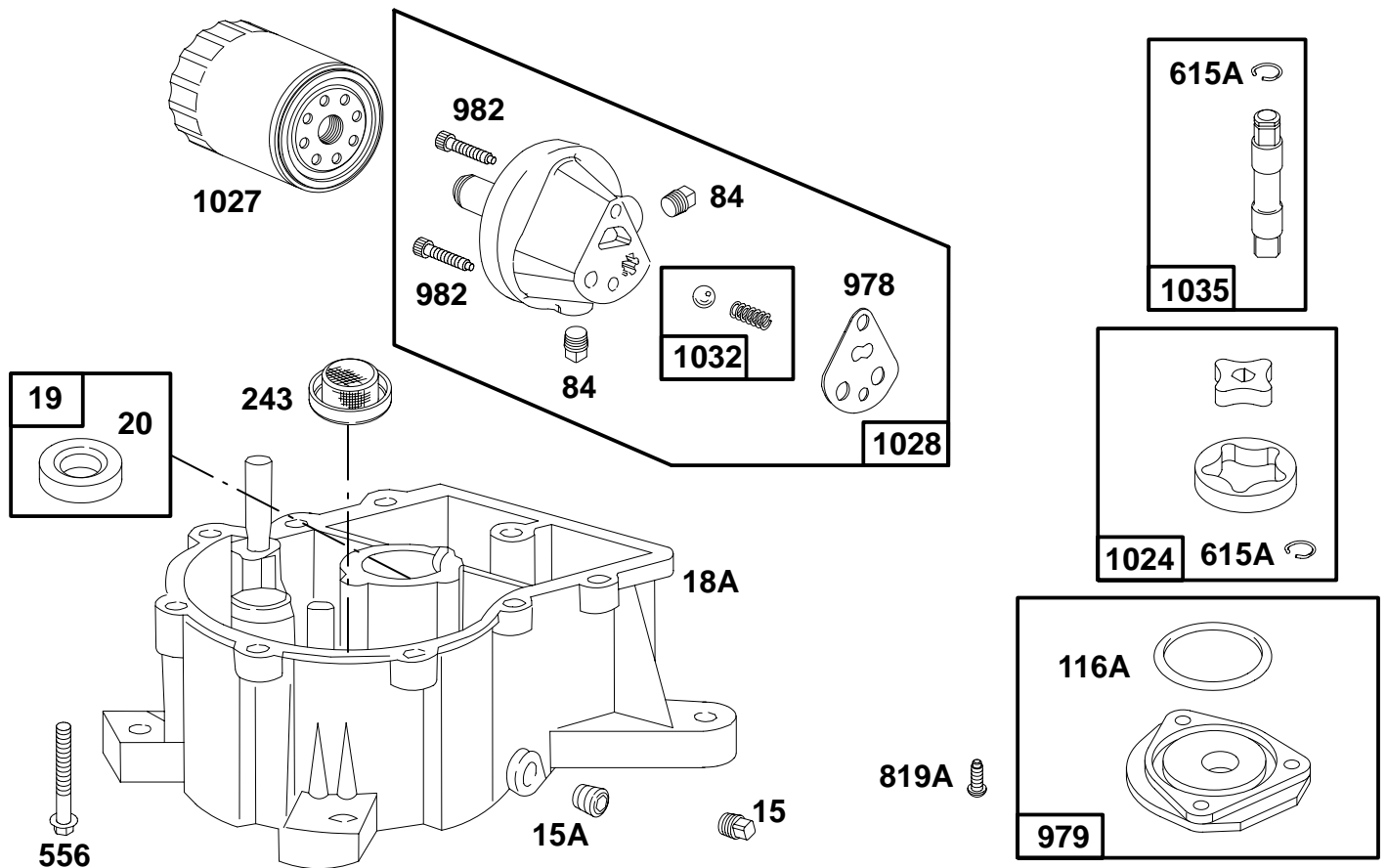
REF. NO.	PART NO.	DESCRIPTION	REF. NO.	PART NO.	DESCRIPTION	REF. NO.	PART NO.	DESCRIPTION
53A	93415	Screw-Hex. Head	664	93343	Screw-Sem	863	224007	Bracket-Muffler
300	491319	Muffler-Exhaust	676	393761	Deflector-Muffler (Side Outlet)	864	398349	Liner-Exhaust Port
346	93705	Screw-Sem				883	*272250	Gasket-Exhaust
423	93876	Screw-Sem						

★ Included in Gasket Set-Part No. 491856.

● Included in Carburetor Kit-Part No. 491539.

■ Included in Carburetor Kit-Part No. 491539 and Pump Repair Kit-Part No. 393397.

404700 to 404799

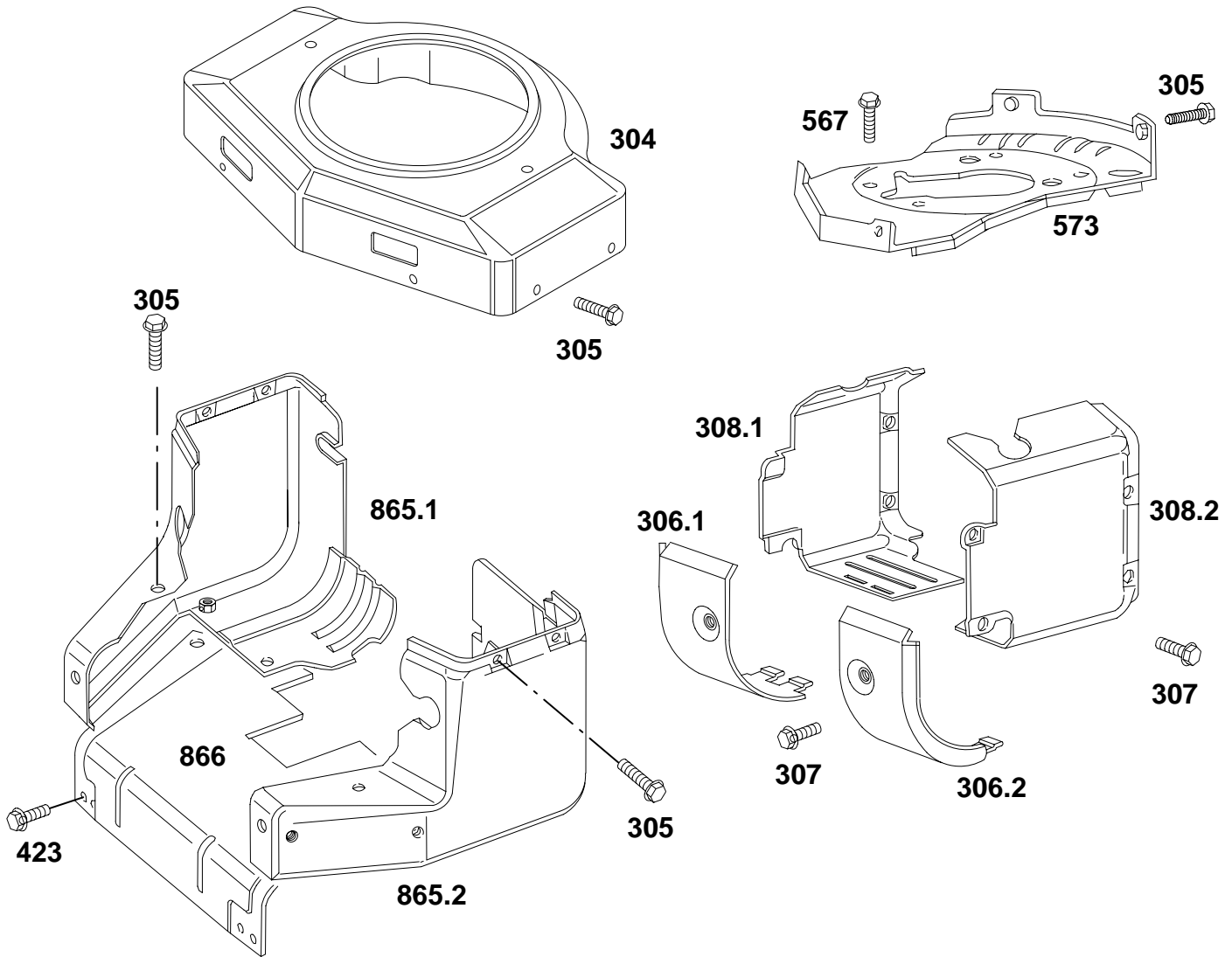


REF. NO.	PART NO.	DESCRIPTION	REF. NO.	PART NO.	DESCRIPTION	REF. NO.	PART NO.	DESCRIPTION
15	94239	Plug—Oil Drain	243	491722	Screen—Oil Pump	819A	94410	Screw
15A	94613	Plug—Oil Drain (Hex. Socket Head)	556	93585	Screw—Hex. Hd.	978	★272060	Gasket—Filter
18A	492575	Base—Engine Used on Model Series 404777.			Note ———	979	492197	Cover—Oil Pump
19	399264	Bushing (DU)		93730	Stud	982	94362	Screw—Adapter Mtg.
20	★291675	Seal—Oil		90366	Lockwasher	1024	492196	Pump—Oil
84	91488	Plug—Pipe		22963	Washer Used on Type No(s). 1206.	1027	491056	Filter—Oil
116A	★280801	O-Ring	615A	94400	Ring—Oil Pump	1028	491721	Adapter—Oil Filter
						1032	491710	Spring—Compression
						1035	492589	Shaft—Pump

★ Included in Gasket Set—Part No. 491856.

● Included in Carburetor Kit—Part No. 491539.

■ Included in Carburetor Kit—Part No. 491539 and Pump Repair Kit—Part No. 393397.



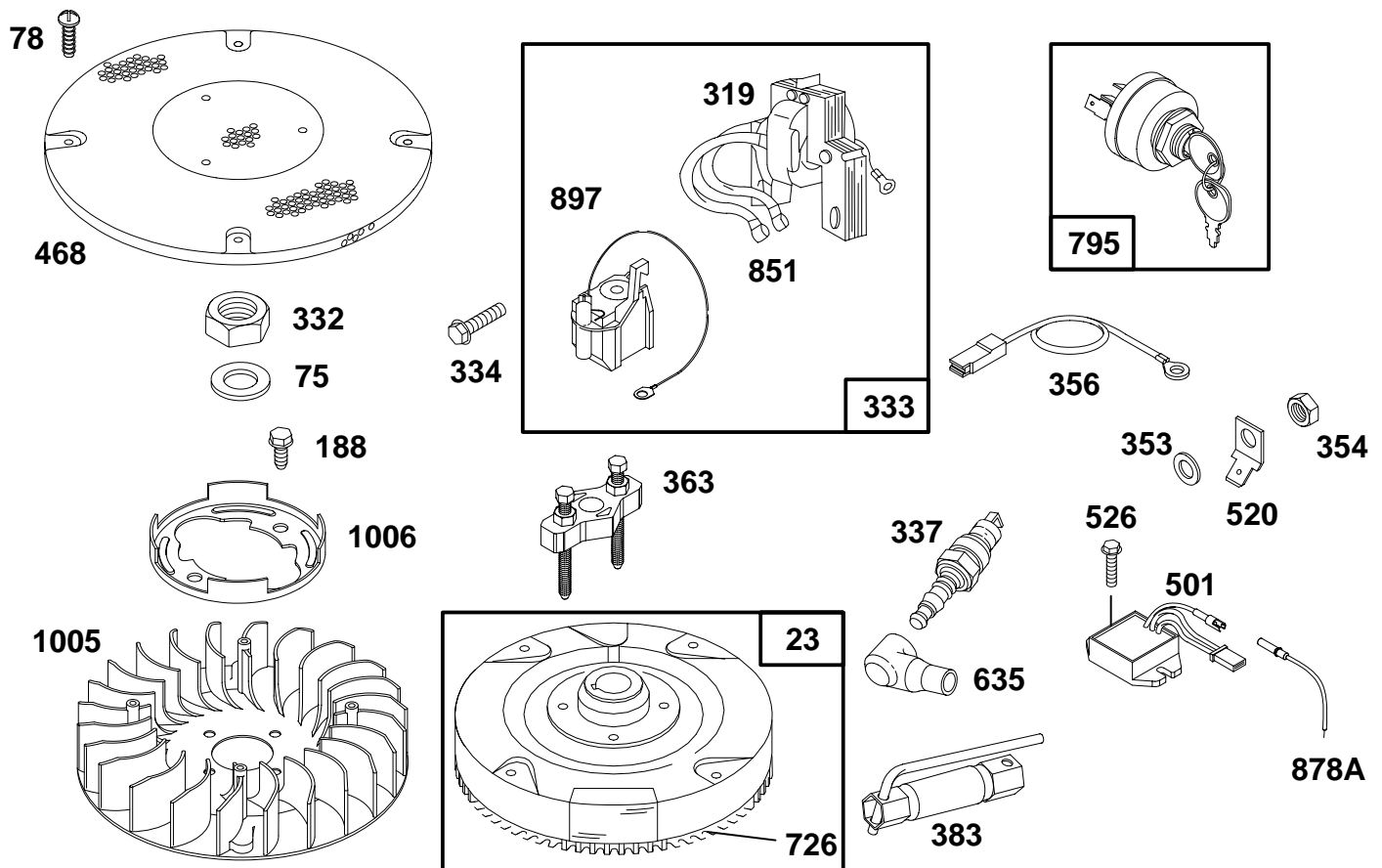
REF. NO.	PART NO.	DESCRIPTION	REF. NO.	PART NO.	DESCRIPTION	REF. NO.	PART NO.	DESCRIPTION
304	492656	Housing-Blower (Black)	306.1	222846	Shield-Cylinder	573	491304	Plate-Back
		Note	306.2	223734	Shield-Cylinder	865.1	491719	Cover-Air Guide (Cyl. #1)
		495587 Housing-Blower (Red)	307	94386	Screw	865.2	399932	Cover-Air Guide (Cyl. #2)
305	94786	Screw-Sem	308.1	222848	Cover-Air Guide	866	491285	Plate-Shield
			308.2	222849	Cover-Air Guide			
			423	93876	Screw-Sem			
			567	93777	Screw-Hex. Head			

★ Included in Gasket Set-Part No. 491856.

● Included in Carburetor Kit-Part No. 491539.

■ Included in Carburetor Kit-Part No. 491539 and Pump Repair Kit-Part No. 393397.

404700 to 404799


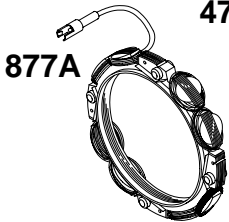
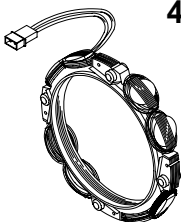
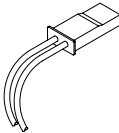
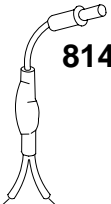
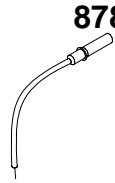
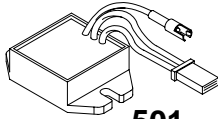


REF. NO.	PART NO.	DESCRIPTION	REF. NO.	PART NO.	DESCRIPTION	REF. NO.	PART NO.	DESCRIPTION
23	491180	Flywheel	337	802592	Plug-Spark (1 7/8" High, 48 mm)	635	66538	Elbow-Spark Plug
		Note			(Resistor Type)	726	391362	Gear-Ring (Includes Mtg. Parts)
		491179 Flywheel Used on Type No(s). 1207.	353	92791	Washer-Lock	795	490066	Switch-Ignition Include(s): 392832 Key Set
75	222511	Washer-Spring	354	90576	Nut-Hex.	851	221798	Terminal-Cable
78	94326	Screw-Sem	356	398708	Wire-Stop	878A	393422	Harness-Alternator
188	93535	Screw	363	19203	Puller-Flywheel	897	394970	Electronic Ignition Kit (MAGNETRON®)
319	394988	Armature-Magneto	383	89838	Wrench-Spark Plug	1005	281053	Fan-Flywheel
332	230674	Nut-Hex.	468	224521	Screen-Rotating	1006	224413	Retainer-Fan
333	394891	Armature & Module	501	394890	Regulator			
334	93381	Screw-Sem	520	93722	Terminal			
			526	93343	Screw-Sem			

★ Included in Gasket Set-Part No. 491856.

● Included in Carburetor Kit-Part No. 491539.

■ Included in Carburetor Kit-Part No. 491539 and Pump Repair Kit-Part No. 393397.

DUAL CIRCUIT	TRI-CIRCUIT	16 AMP
SEE FLYWHEEL	SEE FLYWHEEL	SEE NOTE UNDER FLYWHEEL
 <p>474 877</p>	 <p>474A 877A</p>	 <p>474B</p>
 <p>878</p>	 <p>814</p>	 <p>878A</p>
		 <p>501</p>

NOTE: ALL STATORS USE NO. 482 MOUNTING SCREW.



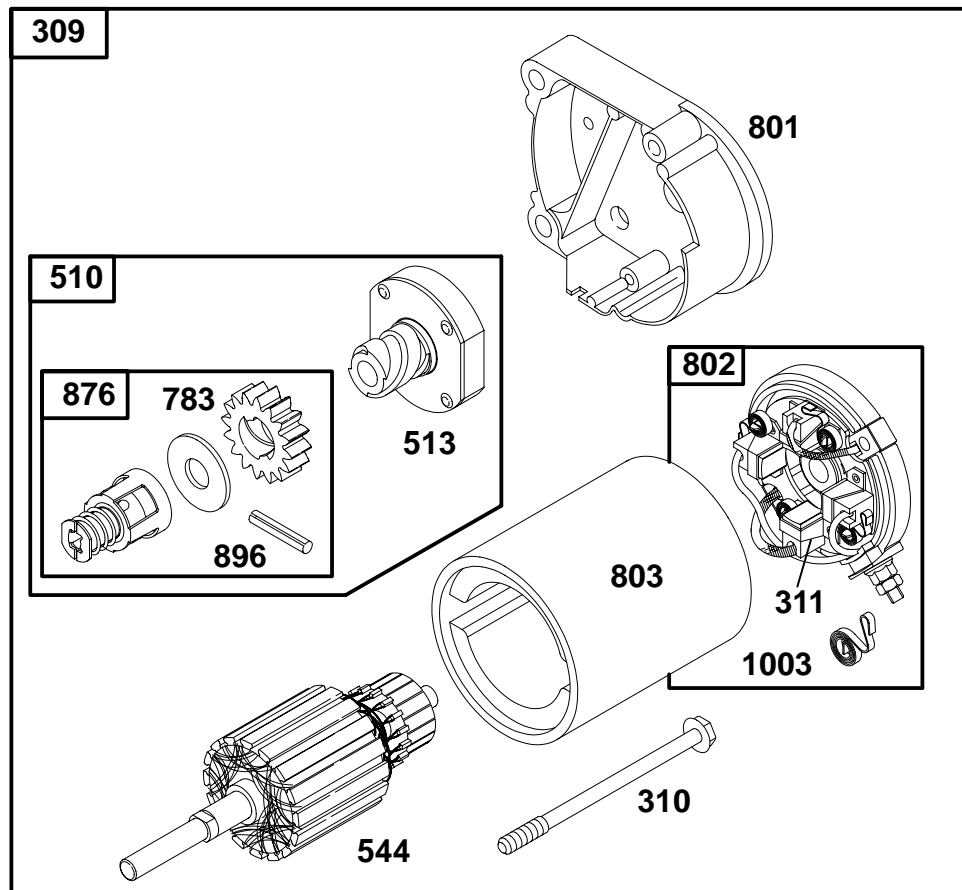
REF. NO.	PART NO.	DESCRIPTION	REF. NO.	PART NO.	DESCRIPTION	REF. NO.	PART NO.	DESCRIPTION
474	393474	Alternator	501	394890	Regulator	877A	393537	Connector Assembly
474A	392595	Alternator	814	392606	Harness-Alternator	878	393362	Harness-Alternator
474B	393295	Alternator	877	393456	Diode Assembly	878A	393422	Harness-Alternator
482	93621	Screw-Sem						

★ Included in Gasket Set-Part No. 491856.

● Included in Carburetor Kit-Part No. 491539.

■ Included in Carburetor Kit-Part No. 491539 and Pump Repair Kit-Part No. 393397.

404700 to 404799



REF. NO.	PART NO.	DESCRIPTION	REF. NO.	PART NO.	DESCRIPTION	REF. NO.	PART NO.	DESCRIPTION	
189	90366	Washer-Lock			490311			Brush Set	
309	394808	Motor-Starter (3-5/8" Housing Length)	510	490421	Drive-Starter	803	398159	Cap-End (4-1/2" Housing Length)	
		399928	513	398003	Clutch-Drive			Housing-Starter (3-5/8" Housing Length)	
		Motor-Starter (4-1/2" Housing Length)	544	390837	Armature-Starter (3-5/8" Housing Length)			399172	Housing-Starter (4-1/2" Housing Length)
310	94003	Bolt-Thru (3-5/8" Housing Length)			490309			Armature-Starter (4-1/2" Housing Length)	
		94169	653	93585	Screw-Hex. Hd.	876	490467	Spring-Drive	
		Bolt-Thru (4-1/2" Housing Length)	783	280104	Gear-Starter	896	94192	Pin-Roll (Black)	
311	395538	Brush Set (3-5/8" Housing Length)	801	394860	Cap-Drive			94288	Pin-Roll (Copper)
			802	395537	Cap-End (3-5/8" Housing Length)	1003	490316	Spring-Brush (For 4-1/2" Housing Length)	

★ Included in Gasket Set-Part No. 491856.

● Included in Carburetor Kit-Part No. 491539.

■ Included in Carburetor Kit-Part No. 491539 and Pump Repair Kit-Part No. 393397.