

405500

Illustrated Parts List

Model Series

405500

TYPE NUMBERS
0110, 0111.

TABLE OF CONTENTS

Air Cleaner	5
Alternators	7
Blower Housing/Shrouds	5
Camshaft/Crankshaft	2
Carburetor	4
Controls	6
Crankcase Sump	2
Crankshaft	2
Cylinder	2
Cylinder Head	3
Electric Starter	6
Flywheel	6
Ignition	7
Kit/Gasket Sets	4
Lubrication	2
Muffler	6
Piston	2
Valves	3

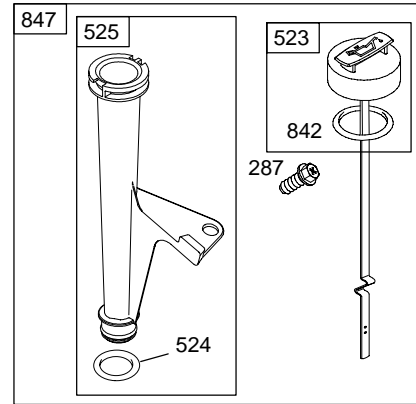
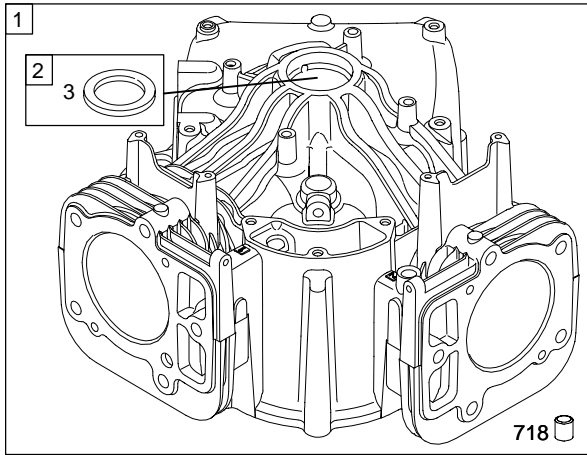


PRINTED IN U.S.A.

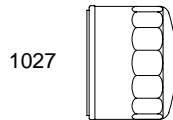
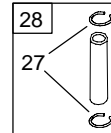
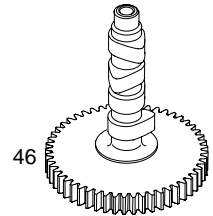
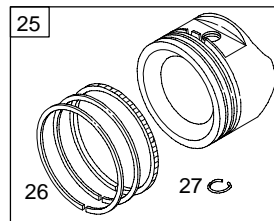
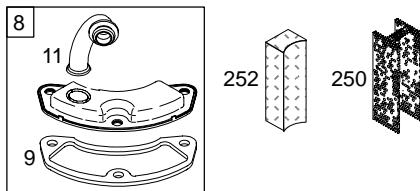
COPYRIGHT by BRIGGS & STRATTON CORPORATION
All rights reserved. No part of this material may be reproduced or transmitted, in any form or by any means, electronic or mechanical, including photocopying, recording or by any information storage and retrieval system, without permission in writing from Briggs & Stratton Corporation.



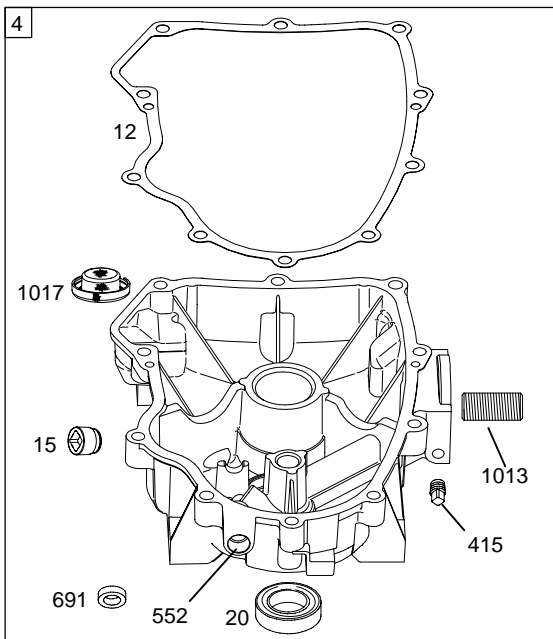
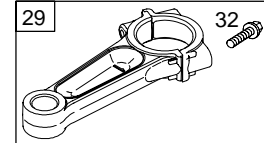
0 24847 10959 7



10



1027

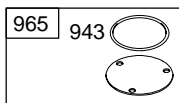
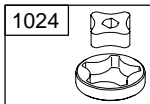
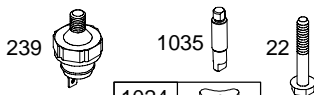


1019 LABEL KIT

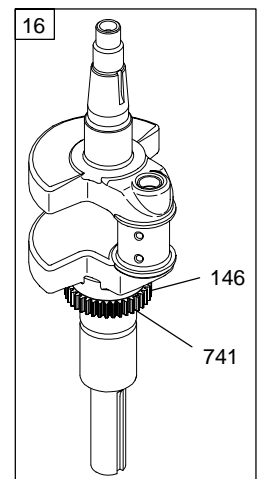
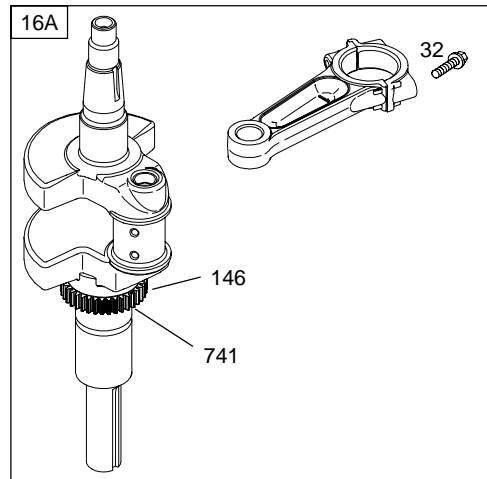
1058 OPERATOR'S MANUAL

1330 REPAIR MANUAL

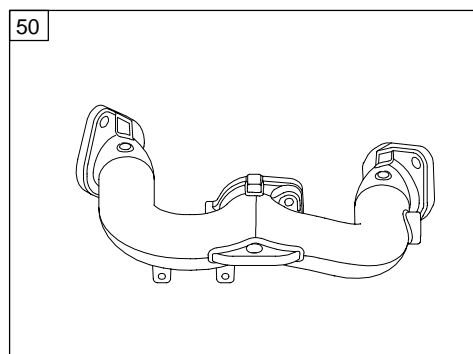
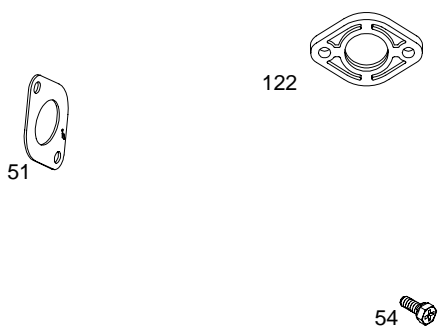
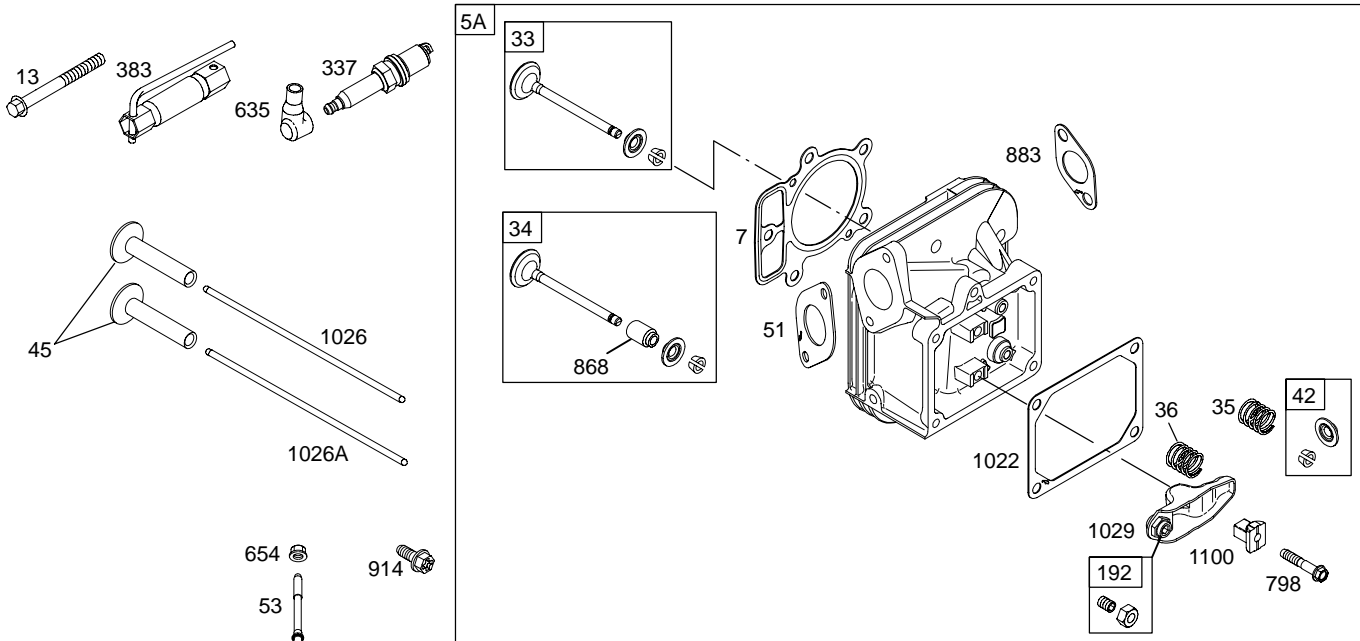
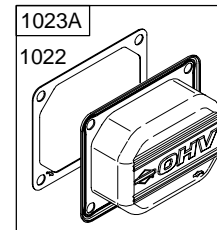
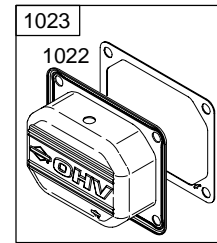
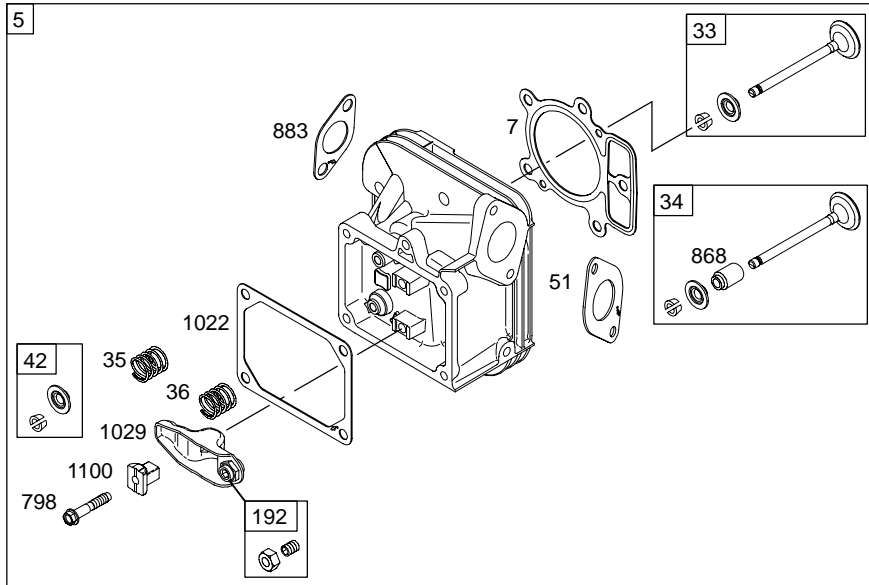
24



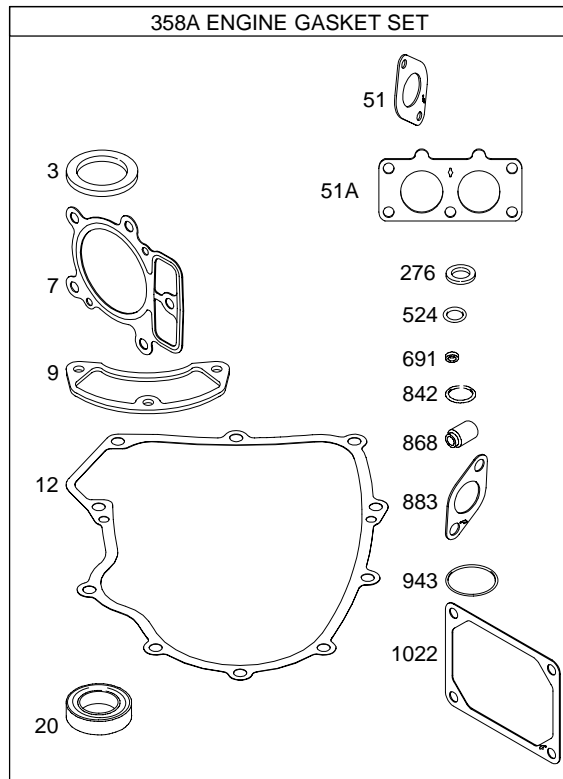
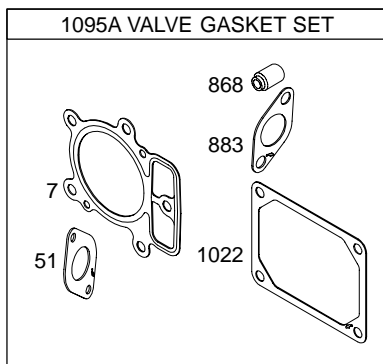
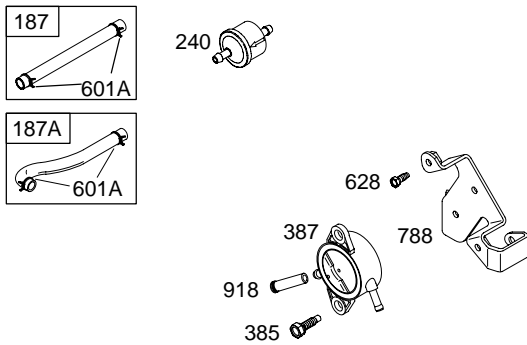
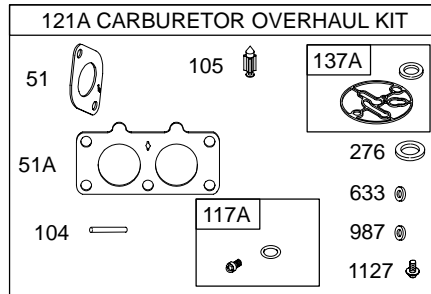
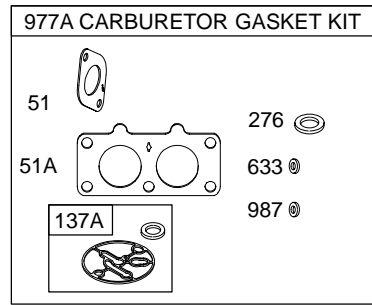
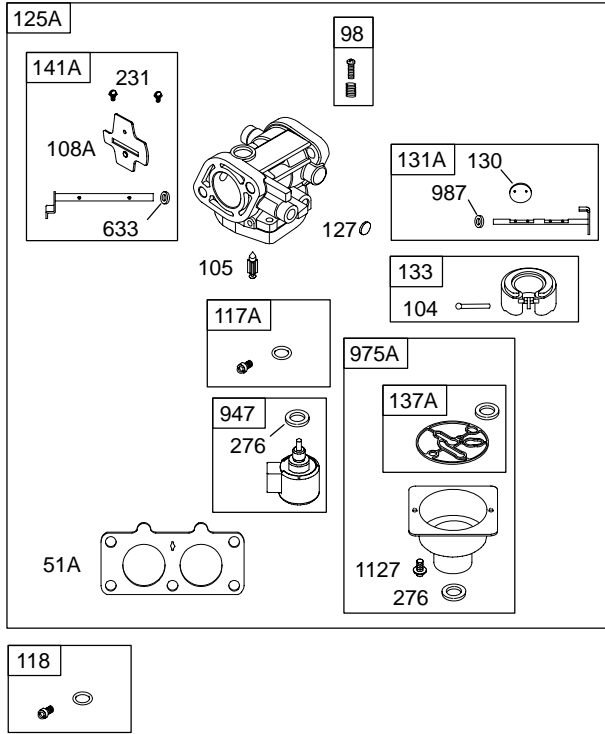
750



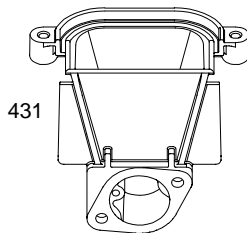
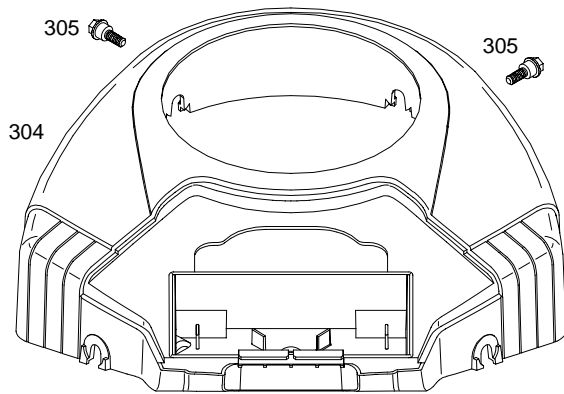
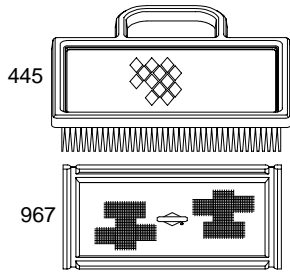
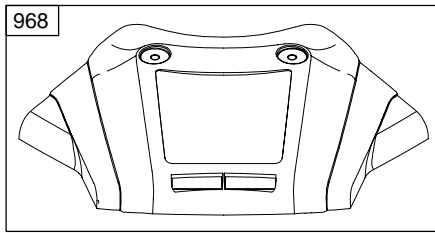
Illustrations cover a range of engines. Parts shown without corresponding text may not be used on your specific engine.
 5861-2 Assemblies include all parts shown in frames. 07/08/2004



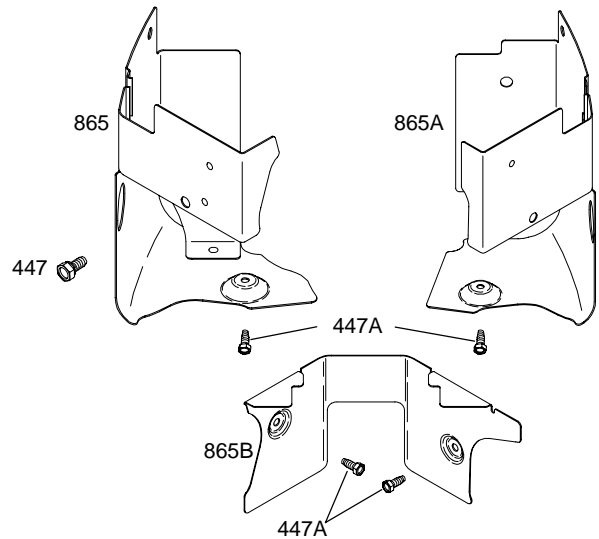
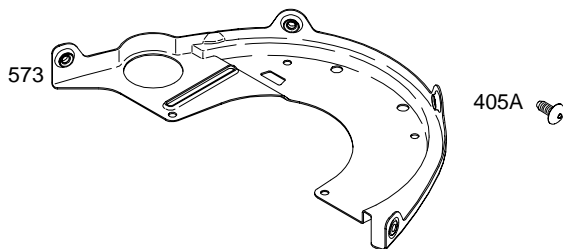
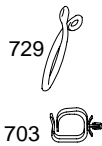
5861-3 Illustrations cover a range of engines. Parts shown without corresponding text may not be used on your specific engine. Assemblies include all parts shown in frames. 07/08/2004

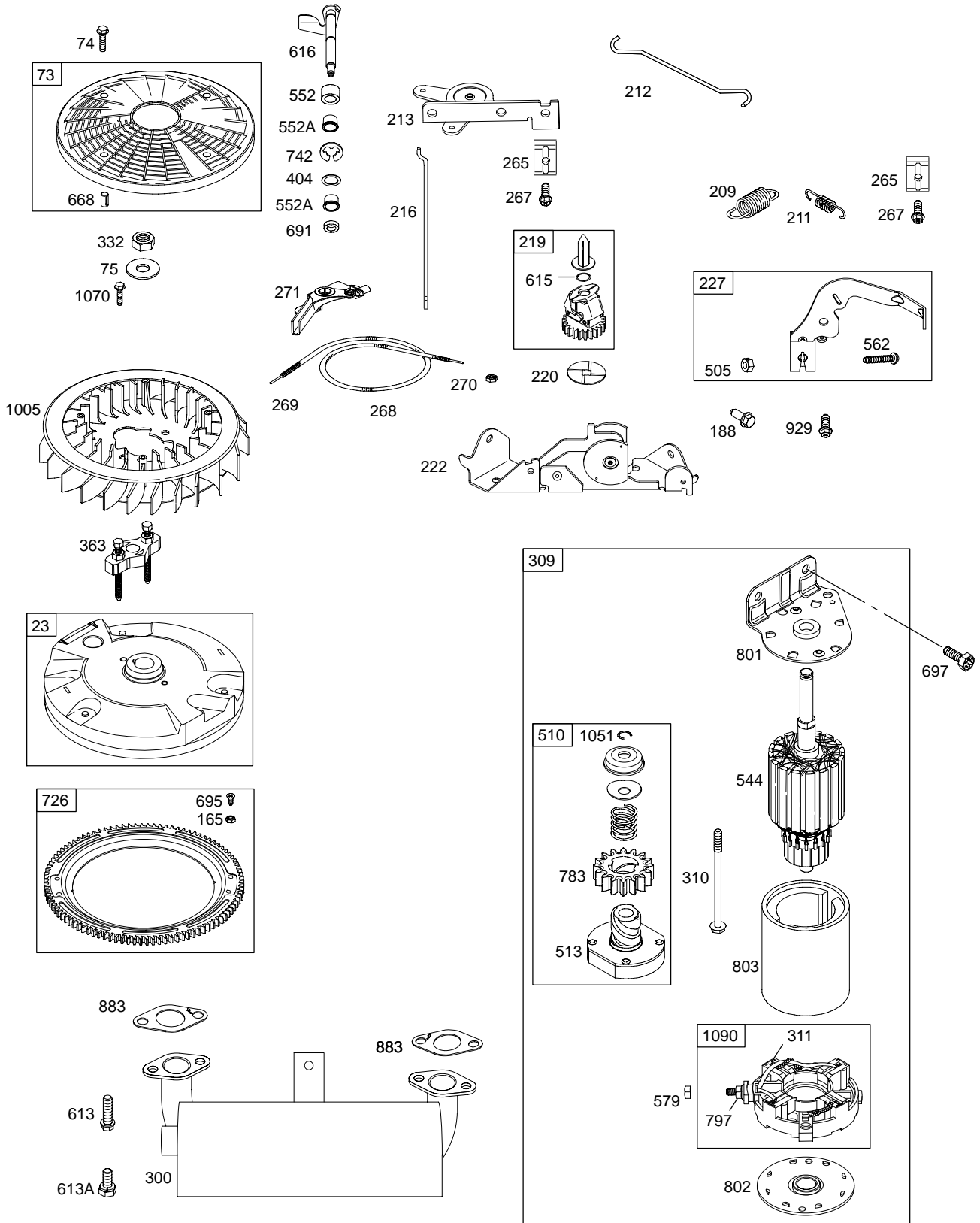


Illustrations cover a range of engines. Parts shown without corresponding text may not be used on your specific engine.



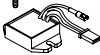


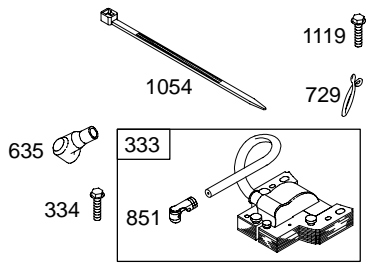
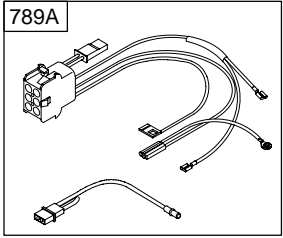
1036 EMISSIONS LABEL





Illustrations cover a range of engines. Parts shown without corresponding text may not be used on your specific engine.
 5861-6 Assemblies include all parts shown in frames. 07/08/2004

<p>NOTE: All stators use a No. 1119 mounting screw. </p> <p>NOTE: The proper flywheel part number and/or the alternator magnet size will determine the alternator type or output. See repair instruction manual for additional information.</p>	<div data-bbox="1052 310 1258 514"> <p>474D</p> <p>877C</p>  </div> <div data-bbox="1052 514 1258 640"> <p>526</p> <p>501</p>  </div>
--	---



405500

REF. NO.	PART NO.	DESCRIPTION	REF. NO.	PART NO.	DESCRIPTION	REF. NO.	PART NO.	DESCRIPTION
1	699751	Cylinder Assembly	26	499604	Ring Set (Standard)	74	698425	Screw (Rotating Screen)
2	499585	Kit-Bushing/Seal (Magneto Side)			----- Note -----	75	691056	Washer (Flywheel)
3	★391086	Seal-Oil (Magneto Side)			499606 Ring Set (.020" Oversize)	89	690946	Plug-Oil
4	699747	Sump-Engine	27	690975	Lock-Piston Pin	98	699721	Kit-Idle Speed
5	693998	Head-Cylinder (Cylinder 1)	28	690229	Pin-Piston (Standard)	104	●694918	Pin-Float Hinge
5A	693999	Head-Cylinder (Cylinder 2)	29	699699	Rod-Connecting (Standard)	105	●698537	Valve-Float Needle
7	★Δ690962	Gasket-Cylinder Head			(Used After Code Date 03122700)	108A	699808	Valve-Choke
8	499601	Breather Assembly			----- Note -----	117A	●698784	Jet-Main (Standard)
9	★690937	Gasket-Breather			(Used Before Code Date 03122800)	118	●699820	Jet-Main (High Altitude)
10	691108	Screw (Breather Assembly)			(For Replacement Connecting Rod, See Reference 16A)	121A	699814	Kit-Carburetor Overhaul
11	690942	Tube-Breather			697253 Rod-Connecting (.020" Undersize)	122	699802	Spacer-Carburetor
12	★697227	Gasket-Crankcase	32	690976	Screw (Connecting Rod)	125A	699807	Carburetor
13	690360	Screw (Cylinder Head)	33	499596	Valve-Exhaust	127	699810	Plug-Welch
15	690283	Plug-Oil Drain	34	697464	Valve-Intake	130	699809	Valve-Throttle
16	699701	Crankshaft (Used After Code Date 03122700)	35	690963	Spring-Valve (Intake)	131A	699812	Kit-Throttle Shaft
16A	699700	Crankshaft (Includes Connecting Rod) (Used Before Code Date 03122800)	36	690963	Spring-Valve (Exhaust)	133	694914	Float-Carburetor
20	★690947	Seal-Oil (PTO Side)	42	499586	Keeper-Valve	137A	●◆698781	Gasket-Float Bowl
22	694966	Screw (Crankcase Cover/Sump)	45	690977	Tappet-Valve	141A	699811	Kit-Choke Shaft
23	691053	Flywheel	46	699748	Camshaft	146	690979	Key-Timing
24	222698	Key-Flywheel	50	699801	Manifold-Intake	165	693148	Nut (Ring Gear)
25	499588	Piston Assembly (Standard)	51	◆◆690949	Gasket-Intake	187	699799	Line-Fuel
		----- Note -----	51A	◆◆699803	Gasket-Intake	187A	691049	Line-Fuel (Molded)
		499590 Piston Assembly (.020" Oversize)	53	690951	Stud (Carburetor)	188	691003	Screw (Control Bracket)
			54	699816	Screw (Intake Manifold)	192	690083	Adjuster-Rocker Arm
			73	494439	Screen-Rotating			

★ Included in Engine Gasket Set-Ref. No. 358.

● Included in Carburetor Overhaul Kit-Ref. No. 121.

◆ Included in Carburetor Gasket Set-Ref. No. 977.

Δ Included in Valve Gasket Set-Ref. No. 1095.

Illustrations cover a range of engines. Parts shown without corresponding text may not be used on your specific engine.

5861-8

Assemblies include all parts shown in frames.

07/08/2004

REF. NO.	PART NO.	DESCRIPTION	REF. NO.	PART NO.	DESCRIPTION	REF. NO.	PART NO.	DESCRIPTION
209	692909	Spring-Governor (Yellow) ----- Note ----- 790034 Spring-Governor Used on Type No(s). 0110.	305	691005	Screw (Blower Housing)	523	691036	Dipstick
211	691019	Spring-Governed Idle	309	497595	Motor-Starter ----- Note ----- 497401 Motor-Starter Used on Type No(s). 0111.	524	★691032	Seal-Dipstick Tube
212	699805	Link-Throttle	310	691263	Bolt (Starter Motor)	525	691037	Tube-Dipstick
213	691021	Bracket-Choke Control	311	497608	Brush Set	526	691108	Screw (Regulator) (10 To 16 Amp Regulated)
216	691022	Link-Choke	332	691059	Nut (Flywheel)	544		Armature-Starter (Service With 497401 Starter Motor Only) Used on Type No(s). 0110.
219	698231	Gear-Governor	333	691060	Armature-Magneto	552	690552	Bushing-Governor Crank
220	690412	Washer (Governor Gear)	334	691061	Screw (Magneto Armature)	552A	690553	Bushing-Governor Crank
222	698761	Bracket-Control	337	491055	Plug-Spark	562	690311	Bolt (Governor Control Lever)
227	691048	Lever-Governor Control	358A	694012	Gasket Set-Engine	573	790444	Plate-Back
231	690718	Screw (Choke Valve)	363	19203	Flywheel Puller	579	691029	Nut (Starter Cable)
239	491657	Switch-Oil Pressure	383	19374	Wrench-Spark Plug	601	691038	Clamp-Hose
240	691035	Filter-Fuel	385	691108	Screw (Fuel Pump)	613	690297	Screw (Muffler)
250	690957	Retainer-Breather	387	808656	Pump-Fuel	613A	690341	Screw (Muffler)
252	690956	Collector-Oil	404	690442	Washer (Governor Crank)	615	698290	Shaft-Governor Retainer
265	691024	Clamp-Casing	405A	697820	Screw (Back Plate) (Mounting)	616	691045	Crank-Governor (Intake Manifold)
267	691044	Screw (Casing Clamp)	415	690283	Plug	628	691108	Screw (Fuel Pump Bracket)
268	691025	Casing-Control Wire (Cut to Required Length)	431	699806	Elbow-Intake	633	◆695414	Seal-Choke/Throttle Shaft
269	691026	Wire-Control (Cut to Required Length)	445	499486	Filter-Air Cleaner Cartridge	635	66538	Boot-Spark Plug
270	691027	Nut (Control Wire Casing)	447	691003	Screw (Air Guide Cover)	654	690958	Nut (Carburetor)
271	691028	Lever-Control	447A	691108	Screw (Air Guide Cover)	668	691215	Spacer
276★◆695410		Washer-Sealing	474D	696458	Alternator (10 Amp Circuit)	691	★690657	Seal-Governor Shaft
287	691108	Screw (Dipstick Tube)	501	691185	Regulator (10 To 16 Amp Regulated)	695	693149	Screw (Ring Gear)
300	696226	Muffler (Black) Used on Type No(s). 0110.	505	691029	Nut (Governor Control Lever)	697	690372	Screw (Drive Cap)
304	695277	Housing-Blower (Black)	510	696541	Drive-Starter			
			513	692024	Clutch-Drive			

★ Included in Engine Gasket Set-Ref. No. 358.

● Included in Carburetor Overhaul Kit-Ref. No. 121.

◆ Included in Carburetor Gasket Set-Ref. No. 977.

△ Included in Valve Gasket Set-Ref. No. 1095.

Illustrations cover a range of engines. Parts shown without corresponding text may not be used on your specific engine.

405500

REF. NO.	PART NO.	DESCRIPTION	REF. NO.	PART NO.	DESCRIPTION	REF. NO.	PART NO.	DESCRIPTION
703	691010	Clip	868	★△690968	Seal-Valve	1024	499054	Pump-Oil
718	690959	Pin-Locating	877C	399916	Wire/Connector-Alternator	1026	690981	Rod-Push (Steel)
726	499612	Gear-Ring	883	★△690970	Gasket-Exhaust	1026A	690982	Rod-Push (Aluminum)
729	694123	Clip-Wire	914	691127	Screw (Rocker Cover)	1027	492932	Filter-Oil
741	690980	Gear-Timing	918	694000	Hose-Vacuum	1029	690972	Arm-Rocker
742	690328	Retainer-E Ring	929	691003	Screw (Choke Control Bracket)	1035	691042	Shaft-Pump
750	696999	Screw (Oil Pump Cover)	943	★690589	Seal-O Ring (Oil Pump Cover)	1036	695704	Label-Emissions
783	695708	Gear-Pinion	947	699728	Solenoid-Fuel	1051	691265	Ring-Retaining
788	691039	Bracket-Fuel Pump	965	499613	Cover-Oil Pump	1054	280275	Tie-Cable
789A	698330	Harness-Wiring	967	273638	Filter-Pre Cleaner	1058	275475	Owner's Manual (Emission)
797	693167	Nut (Brush Retainer)	968	790095	Cover-Air Cleaner	1070	690372	Screw (Flywheel Fan)
798	697890	Screw (Rocker Arm)	975A	699502	Bowl-Float	1090	691293	Retainer-Brush
801	691283	Cap-Drive	977A	499812	Gasket Set-Carburetor	1095A	694013	Gasket Set-Valve
802	691286	Cap-End	987	◆699813	Seal-Throttle Shaft	1100	690973	Pivot-Rocker Arm
803	693757	Housing-Starter	1005	499603	Fan-Flywheel	1119	691183	Screw (Alternator)
842	★691031	Seal-O Ring (Dipstick)	1006	499603	Retainer-Fan	1127	◆695407	Screw (Float Bowl)
847	499602	Dipstick/Tube Assembly	1013	690954	Nipple-Oil Filter	1330	273521	Manual-Repair
851	493880	Terminal-Spark Plug	1017	690770	Screen-Oil Pump			
865	691012	Cover-Air Guide (Cylinder 1)	1019	698414	Kit-Label			
865A	691014	Cover-Air Guide (Cylinder 2)	1022	★△690971	Gasket-Rocker Cover			
865B	691015	Cover-Air Guide (Valley)	1023	499599	Cover-Rocker Arm (Cylinder 1)			
			1023A	499600	Cover-Rocker Arm (Cylinder 2)			

★ Included in Engine Gasket Set-Ref. No. 358.

● Included in Carburetor Overhaul Kit-Ref. No. 121.

◆ Included in Carburetor Gasket Set-Ref. No. 977.

△ Included in Valve Gasket Set-Ref. No. 1095.

Illustrations cover a range of engines. Parts shown without corresponding text may not be used on your specific engine.

