

405700

Illustrated Parts List

Model Series

405700

TYPE NUMBERS
0005 through 0143.

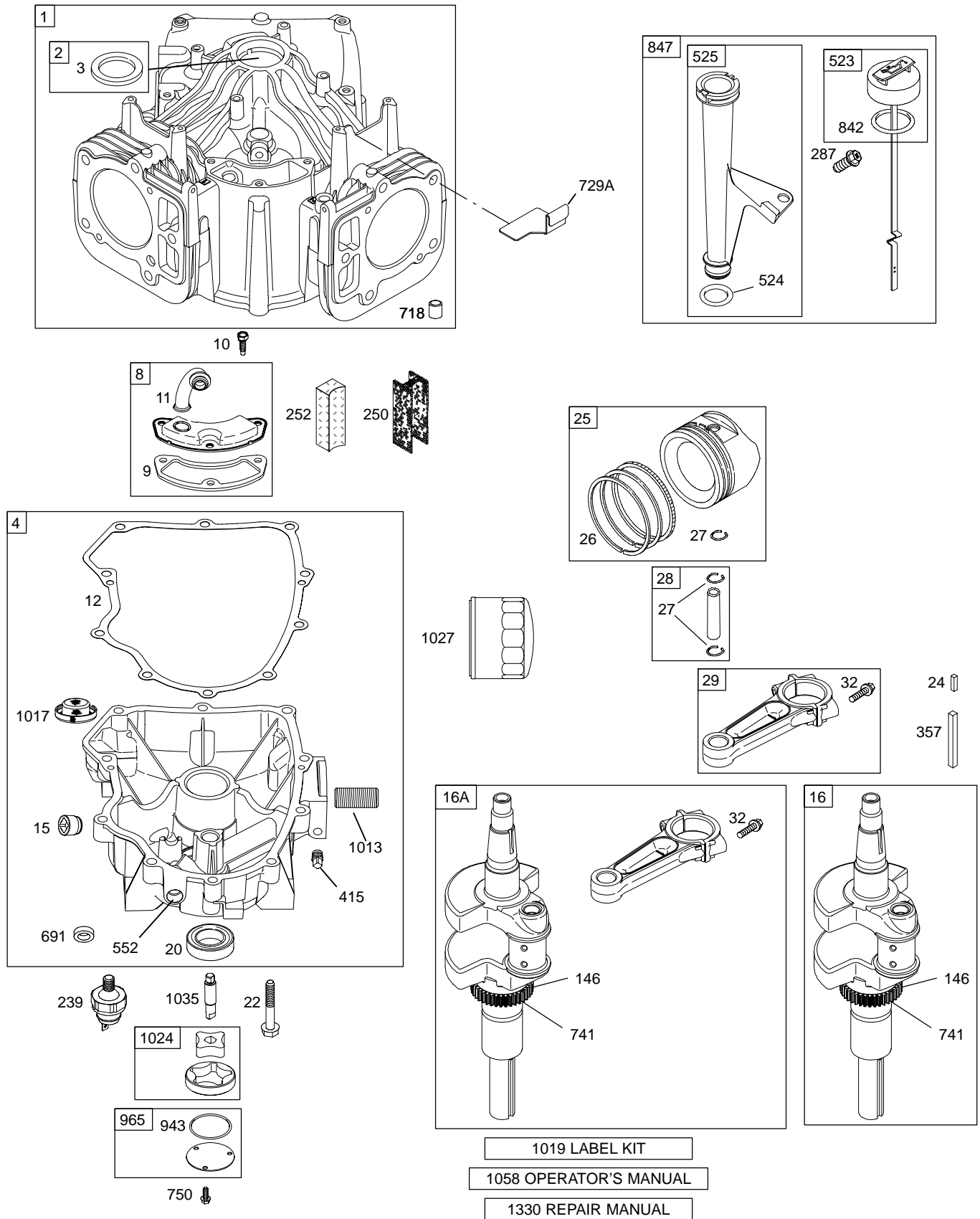
TABLE OF CONTENTS

Air Cleaner	5
Alternators	7
Blower Housing/Shrouds	5
Cam	3
Carburetor	4
Controls	6
Crankcase Sump	2
Crankshaft	2
Cylinder	2
Cylinder Head	3
Electric Starter	6
Exhaust System	6
Flywheel	6
Exhaust System	6
Ignition	7
Kit/Gasket Sets	4
Lubrication	2
Pistons	2
Valves	3

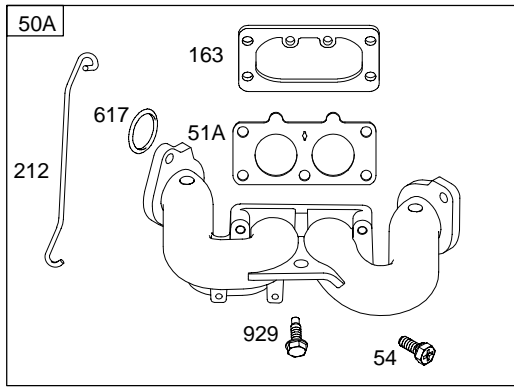
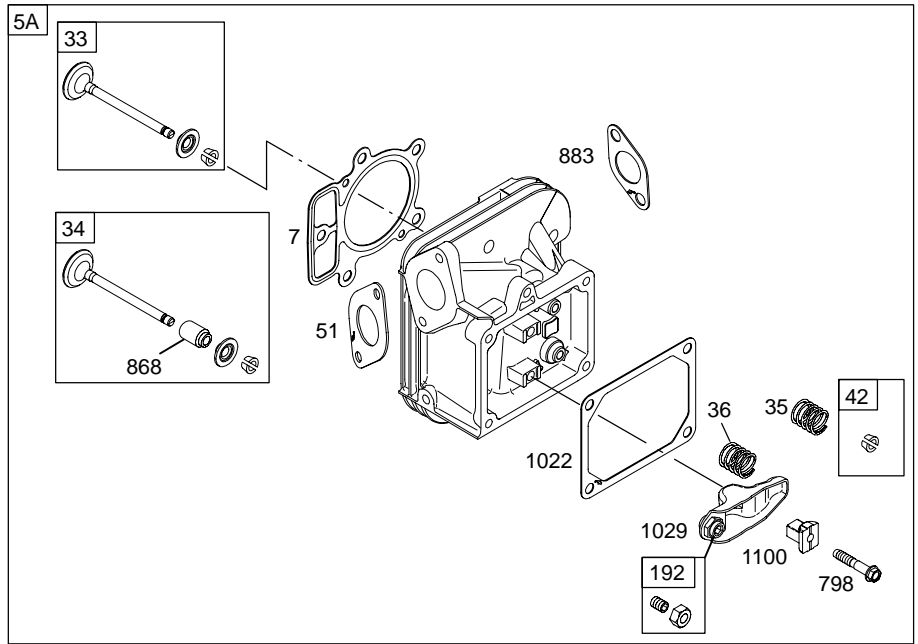
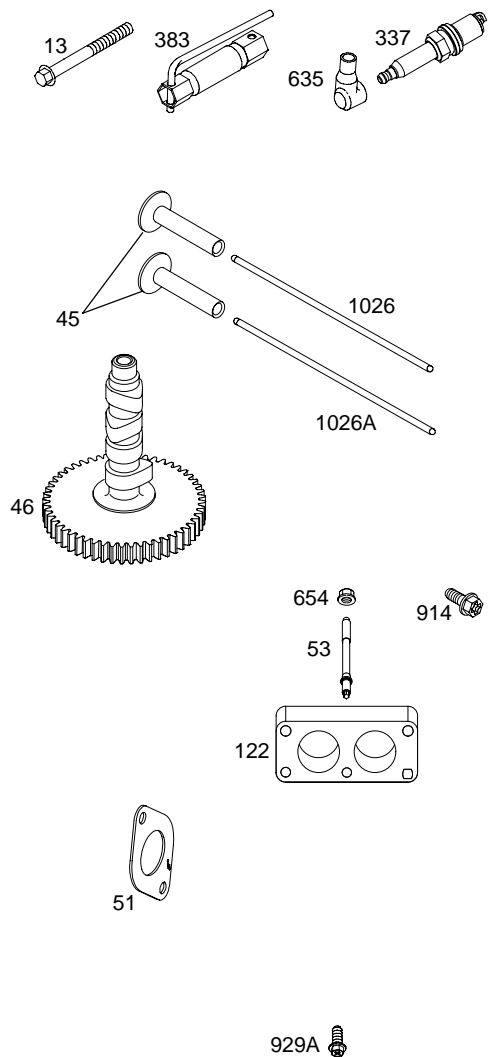
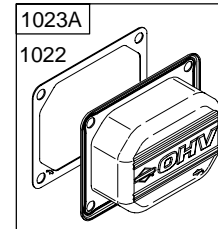
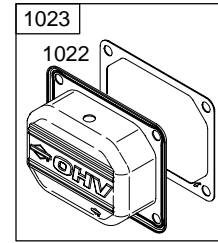
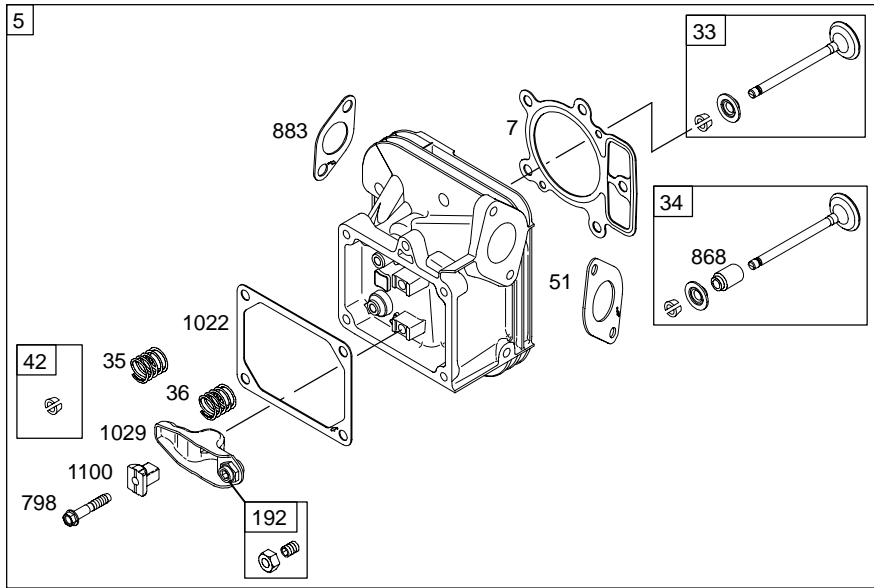


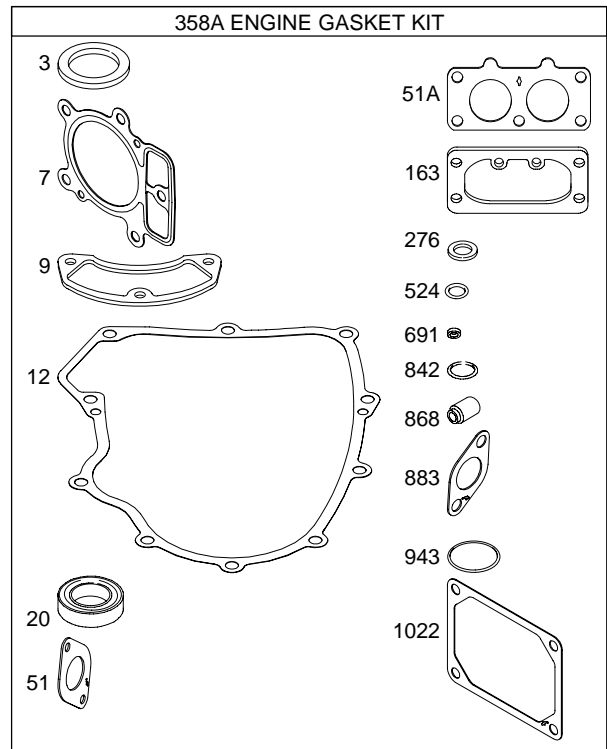
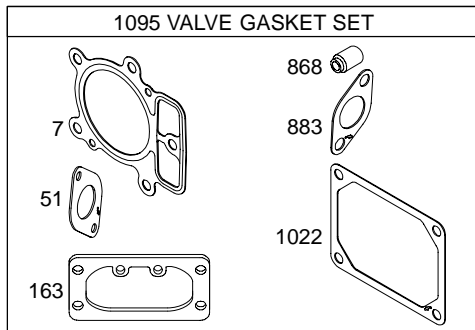
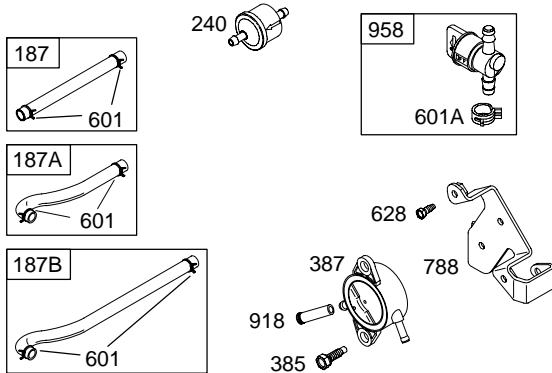
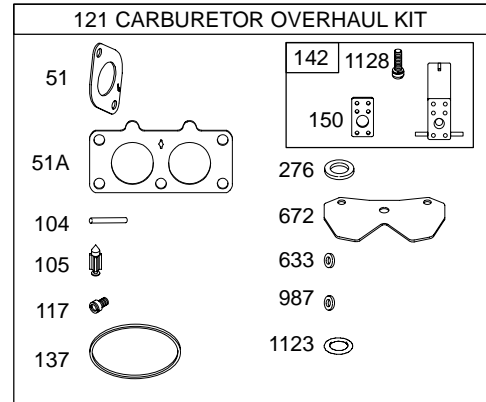
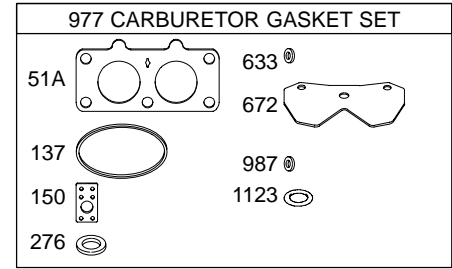
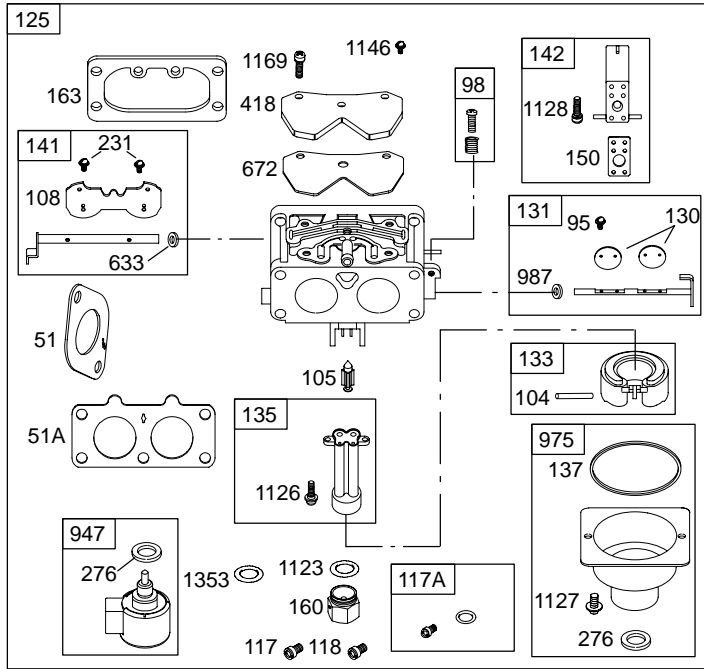
PRINTED IN U.S.A.

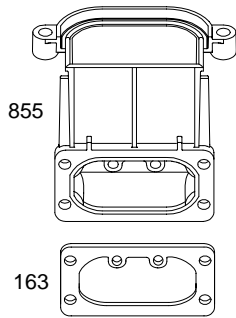
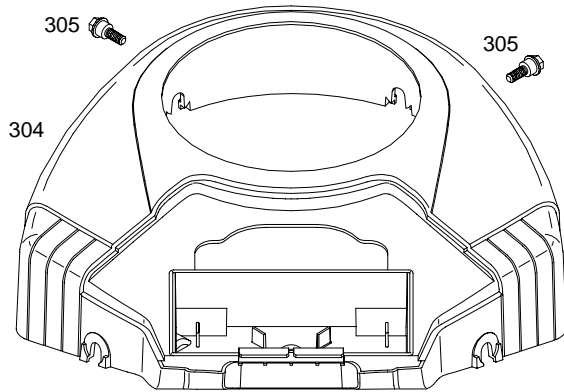
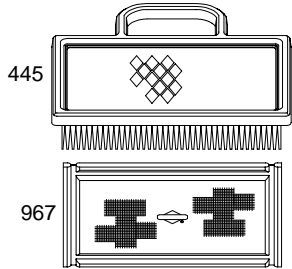
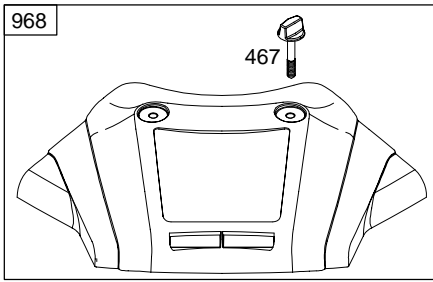
COPYRIGHT by BRIGGS & STRATTON CORPORATION
All rights reserved. No part of this material may be reproduced or transmitted, in any form or by any means, electronic or mechanical, including photocopying, recording or by any information storage and retrieval system, without permission in writing from Briggs & Stratton Corporation.



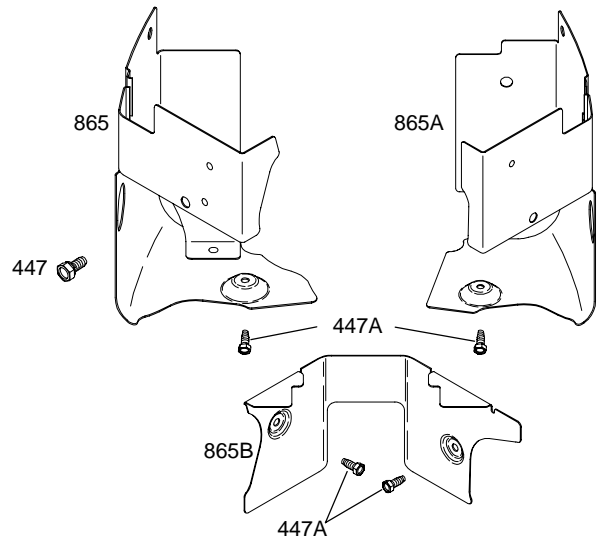
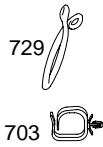
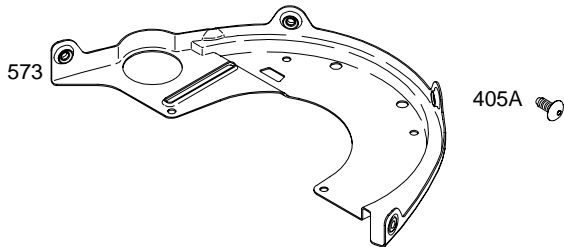
Illustrations cover a range of engines. Parts shown without corresponding text may not be used on your specific engine.
2985-2 Assemblies include all parts shown in frames. **06/14/2004**



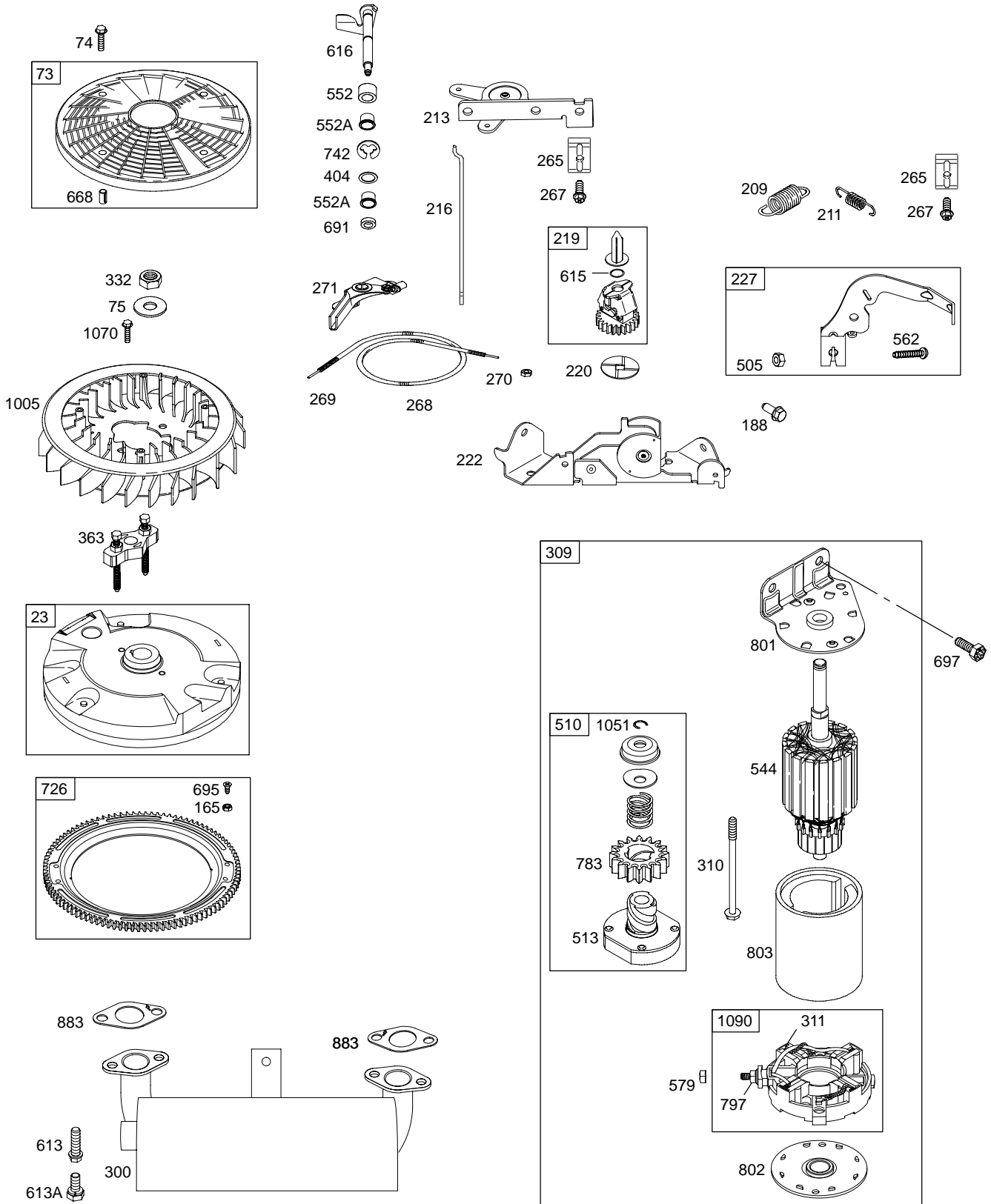




1036 EMISSION LABEL



Illustrations cover a range of engines. Parts shown without corresponding text may not be used on your specific engine.



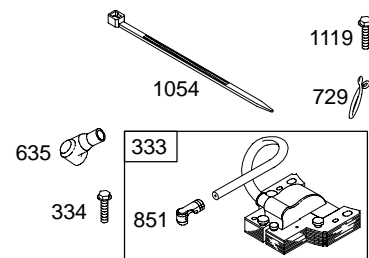
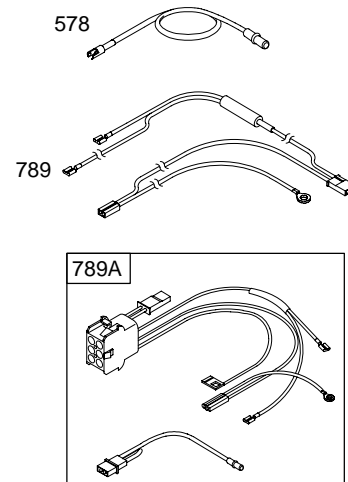
Illustrations cover a range of engines. Parts shown without corresponding text may not be used on your specific engine.

DUAL CIRCUIT	TRI CIRCUIT	9 AMP		10 AMP		16 AMP	
474B 877 	474C 877B 	474C 877B 	1059 	474D 877C 	1059 	474D 877C 	1059
878 		526A 501A 		526 501 			

NOTE: All stators use a No. 1119 mounting screw.

NOTE: The proper flywheel part number and/or the alternator magnet size will determine the alternator type or output. See repair instruction manual for additional information.

20 AMP
474E
578
501B



405700

REF. NO.	PART NO.	DESCRIPTION	REF. NO.	PART NO.	DESCRIPTION	REF. NO.	PART NO.	DESCRIPTION
1	699751	Cylinder Assembly (Used After Code Date 03082800) ----- Note ----- 690231 Cylinder Assembly (Used Before Code Date 03082900)	16A	790137	Crankshaft (Includes Connecting Rod) (Used Before Code Date 03122800). ----- Note ----- 790133 Crankshaft (Includes Connecting Rod) (Used Before Code Date 03122800). Used on Type No(s). 0112, 0143.	26	499604	Ring Set (Standard) ----- Note ----- 499605 Ring Set (.010" Oversize) 499606 Ring Set (.020" Oversize) 499607 Ring Set (.030" Oversize)
2	499585	Kit-Bushing/Seal (Magneto Side)				27	690975	Lock-Piston Pin
3	*391086	Seal-Oil (Magneto Side)				28	690229	Pin-Piston (Standard)
4	699747	Sump-Engine (Used After Code Date 03082800). ----- Note ----- 690069 Sump-Engine (Used Before Code Date 03082900).	20	*690947	Seal-Oil (PTO Side)	29	699699	Rod-Connecting (Standard) (Used After Code Date 03122700). ----- Note ----- (For Replacement Connecting Rod, See Reference 16A) (Used Before Code Date 03122800). 697253 Rod-Connecting (.020" Undersize)
5	693998	Head-Cylinder (Cylinder 1)	22	694966	Screw (Crankcase Cover/Sump)	32	690976	Screw (Connecting Rod)
5A	693999	Head-Cylinder (Cylinder 2)	23	691053	Flywheel ----- Note ----- 691054 Flywheel Used on Type No(s). 0005, 0100, 0105, 0114, 0117, 0118.	33	499596	Valve-Exhaust
7	*Δ690962	Gasket-Cylinder Head				34	697464	Valve-Intake
8	499601	Breather Assembly				35	690963	Spring-Valve (Intake)
9	*690937	Gasket-Breather				36	690963	Spring-Valve (Exhaust)
10	691108	Screw (Breather Assembly)				42	499586	Keeper-Valve
11	690942	Tube-Breather	24	222698	Key-Flywheel	45	690977	Tappet-Valve
12	*697227	Gasket-Crankcase	25	499588	Piston Assembly (Standard) ----- Note ----- 499589 Piston Assembly (.010" Oversize) 499590 Piston Assembly (.020" Oversize) 499591 Piston Assembly (.030" Oversize)			
13	690360	Screw (Cylinder Head)						
15	691680	Plug-Oil Drain (1/2" Square Flush)						
16	699700	Crankshaft (Used After Code Date 03122700). ----- Note ----- 790132 Crankshaft (Used After Code Date 03122700). Used on Type No(s). 0112, 0143.						

* Included in Engine Gasket Set-Ref. No. 358.

● Included in Carburetor Overhaul Kit-Ref. No. 121.

◆ Included in Carburetor Gasket Set-Ref. No. 977.

⊘ Included in Valve Gasket Set-Ref. No. 1095.

Illustrations cover a range of engines. Parts shown without corresponding text may not be used on your specific engine.

2985-8

Assemblies include all parts shown in frames.

06/14/2004

REF. NO.	PART NO.	DESCRIPTION	REF. NO.	PART NO.	DESCRIPTION	REF. NO.	PART NO.	DESCRIPTION
46	699748	Camshaft (Used After Code Date 03082800). ----- Note ----- 690978 Camshaft (Used Before Code Date 03082900).	142	●499808	Nozzle - Carburetor (Standard)	211	691019	Spring-Governed Idle
			146	690979	Key - Timing	212	695238	Link-Throttle (Used With Plastic Intake Manifold)
			150	◆690995	Gasket - Nozzle	213	691021	Bracket-Choke Control
			160	690996	Retainer - Solenoid	216	691022	Link-Choke
			163	★△691001	Gasket - Air Cleaner	219	698231	Gear-Governor
			165	693148	Nut (Ring Gear)	220	690412	Washer (Governor Gear)
50A	695241	Manifold - Intake	187	691050	Line - Fuel (Cut to Required Length)	222	698761	Bracket-Control
51	★△690949	Gasket - Intake	187A	691049	Line - Fuel (Molded)	227	691048	Lever-Governor Control
51A	★◆690950	Gasket - Intake	187B	693180	Line - Fuel (Molded) Used on Type No(s). 0113, 0123, 0125, 0136, 0141.	231	690718	Screw (Choke Valve)
53	690951	Stud (Carburetor)	188	691108	Screw (Control Bracket)	239	491657	Switch - Oil Pressure ----- Note ----- 697049 Switch - Oil Pressure Used on Type No(s). 0112, 0143.
54	695240	Screw (Intake Manifold) (Used With Plastic Intake Manifold)	192	690083	Adjuster - Rocker Arm	240	691035	Filter - Fuel
73	494439	Screen - Rotating	209	692909	Spring-Governor (Yellow)	250	690957	Retainer - Breather
74	698425	Screw (Rotating Screen)			----- Note ----- 693102 Spring- Governor (Orange) Used on Type No(s). 0113, 0125, 0136.	252	690956	Collector - Oil
75	691056	Washer (Flywheel)			697674 Spring- Governor (Brown) Used on Type No(s). 0116, 0117, 0118, 0119, 0129, 0132, 0134, 0135, 0137, 0139.	265	691024	Clamp - Casing
95	690718	Screw (Throttle Valve)			698071 Spring- Governor (White) Used on Type No(s). 0100, 0105, 0112, 0124, 0140, 0143.	267	691044	Screw (Casing Clamp)
98	499802	Kit - Idle Speed				268	691025	Casing - Control Wire (Cut to Required Length)
104	●690984	Pin - Float Hinge				269	691026	Wire - Control (Cut to Required Length)
105	●690985	Valve - Float Needle						
108	690986	Valve - Choke						
117	●690232	Jet - Main (Standard)						
117A	699733	Jet - Main (Standard)						
118	690989	Jet - Main (High Altitude)						
121	499811	Kit - Carburetor Overhaul						
122	690952	Spacer - Carburetor						
125	499804	Carburetor						
130	690993	Valve - Throttle						
131	499805	Kit - Throttle Shaft						
133	499806	Float - Carburetor						
135	499803	Tube - Fuel Transfer						
137	◆690994	Gasket - Float Bowl						
141	499807	Kit - Choke Shaft						

★ Included in Engine Gasket Set - Ref. No. 358.

● Included in Carburetor Overhaul Kit - Ref. No. 121.

◆ Included in Carburetor Gasket Set - Ref. No. 977.

⊘ Included in Valve Gasket Set - Ref. No. 1095.

Illustrations cover a range of engines. Parts shown without corresponding text may not be used on your specific engine.

405700

REF. NO.	PART NO.	DESCRIPTION	REF. NO.	PART NO.	DESCRIPTION	REF. NO.	PART NO.	DESCRIPTION
270	691027	Nut (Control Wire Casing)	385	691108	Screw (Fuel Pump)	493	697993	Bracket-Mounting
271	691028	Lever-Control	387	808656	Pump-Fuel	501	691185	Regulator (10 To 16 Amp Regulated)
276★◆	690997	Washer-Sealing	404	690442	Washer (Governor Crank)	501A	691188	Regulator (5 To 9 Amp Regulated)
287	691108	Screw (Dipstick Tube)	405A	697820	Screw (Back Plate)	415	690283	Plug (Sump)
300	696226	Muffler	418	690999	Plate-Carburetor	445	499486	Filter-Air Cleaner Cartridge
304	695277	Housing-Blower (Black)	447	691003	Screw (Air Guide Cover)	501B	691573	Regulator (20 Amp) Used on Type No(s). 0113, 0119, 0123, 0125, 0126, 0131, 0134, 0137, 0141.
305	691005	Screw (Blower Housing)	447A	691108	Screw (Air Guide Cover)	505	691029	Nut (Governor Control Lever)
309	497401	Motor-Starter	467	691008	Knob-Air Cleaner	510	696541	Drive-Starter
310	691263	Bolt (Starter Motor)	474B	696459	Alternator (Dual Circuit)	513	692024	Clutch-Drive
311	497608	Brush Set	474C	696457	Alternator (5 To 9 Amp Regulated)	523	691036	Dipstick
332	691059	Nut (Flywheel)	474D	696458	Alternator (10 To 16 Amp Regulated)	524	★691032	Seal-Dipstick Tube
333	691060	Armature-Magneto	474E	697810	Alternator (20 Amp) Used on Type No(s). 0143.	525	691037	Tube-Dipstick
334	691061	Screw (Magneto Armature)				526	691108	Screw (Regulator) (10 To 16 Amp Regulated)
337	691043	Plug-Spark ----- Note ----- 491055 Plug-Spark Used on Type No(s). 0112, 0125, 0137, 0140, 0143.				526A	691129	Screw (Regulator)
357	691483	Key-Drive Pulley				544		Armature-Starter (Service With 497401 Starter Motor Only)
358A	699823	Gasket Set-Engine (Used After Code Date 03081000). ----- Note ----- 694012 Gasket Set-Engine (Used Before Code Date 03081100).				552	690552	Bushing-Governor Crank
363	19203	Flywheel Puller				552A	690553	Bushing-Governor Crank
383	19374	Wrench-Spark Plug						

★ Included in Engine Gasket Set-Ref. No. 358.

● Included in Carburetor Overhaul Kit-Ref. No. 121.

◆ Included in Carburetor Gasket Set-Ref. No. 977.

⊘ Included in Valve Gasket Set-Ref. No. 1095.

Illustrations cover a range of engines. Parts shown without corresponding text may not be used on your specific engine.

2985-10

Assemblies include all parts shown in frames.

06/14/2004

REF. NO.	PART NO.	DESCRIPTION	REF. NO.	PART NO.	DESCRIPTION	REF. NO.	PART NO.	DESCRIPTION
562	690311	Bolt (Governor Control Lever)	703	691010	Clip	865A	691014	Cover-Air Guide (Cylinder 2)
573	790444	Plate-Back	718	690959	Pin-Locating	865B	691015	Cover-Air Guide (Valley)
578	691208	Wire Assembly	726	499612	Gear-Ring	868	★△690968	Seal-Valve
		----- Note -----	729	694123	Clip-Wire	877	393456	Wire/Connector- Alternator (Dual Circuit)
		697894 Wire Assembly Used on Type No(s). 0143.	729A	697993	Clip-Wire Used on Type No(s). 0143.	877B	393537	Wire/Connector- Alternator (5 To 9 Amp Regulated)
579	691029	Nut (Starter Cable)	741	690980	Gear-Timing	877C	399916	Wire/Connector- Alternator (10 To 16 Amp Regulated)
601	95162	Clamp-Hose (Zinc Plate) (Spring Wire)	742	690328	Retainer-E Ring	878	691237	Harness-Alternator (Dual Circuit)
601A	691038	Clamp-Hose	750	691033	Screw (Oil Pump Cover)	883	★△690970	Gasket-Exhaust
613	690297	Screw (Muffler)	783	695708	Pinion-Gear	914	691127	Screw (Rocker Cover)
613A	690341	Screw (Muffler)	788	691039	Bracket-Fuel Pump	918	694000	Hose-Vacuum
615	698290	Shaft-Governor Retainer	789	691220	Harness-Wiring	929	695239	Screw (Choke Control Bracket) (Used With Plastic Intake Manifold)
616	691045	Crank-Governor	789A	695050	Harness-Wiring Used on Type No(s). 0112, 0139, 0140.	929A	691003	Screw (Choke Control Bracket)
617	691917	Seal-O Ring (Intake Manifold) (Used With Plastic Intake Manifold)			----- Note -----	943	★690589	Seal-O Ring (Oil Pump Cover)
628	691108	Screw (Fuel Pump Bracket)			698330 Harness-Wir- ing Used on Type No(s). 0143.	947	499809	Solenoid-Fuel
633	◆690998	Seal-Choke/Throttle Shaft	797	693167	Nut (Brush Retainer)	958	698183	Valve-Fuel Shut-Off (Plastic)
635	66538	Boot-Spark Plug	798	697890	Screw (Rocker Arm)	965	499613	Cover-Oil Pump
654	690958	Nut (Carburetor)	801	691283	Cap-Drive	967	273638	Filter-Pre Cleaner
668	691215	Spacer	802	691286	Cap-End			
672	◆690234	Gasket-Carburetor Plate	803		Housing-Starter (Service With 497401 Starter Motor Only)			
691	★690657	Seal-Governor Shaft	842	★691031	Seal-O Ring (Dipstick)			
695	693149	Screw (Ring Gear)	847	499602	Dipstick/Tube Assembly			
697	690372	Screw (Drive Cap)	851	493880	Terminal-Spark Plug			
			855	691011	Adapter-Air Cleaner			
			865	691012	Cover-Air Guide (Cylinder 1)			

★ Included in Engine Gasket Set-Ref. No. 358.

● Included in Carburetor Overhaul Kit-Ref. No. 121.

◆ Included in Carburetor Gasket Set-Ref. No. 977.

⊘ Included in Valve Gasket Set-Ref. No. 1095.

Illustrations cover a range of engines. Parts shown without corresponding text may not be used on your specific engine.

405700

REF. NO.	PART NO.	DESCRIPTION	REF. NO.	PART NO.	DESCRIPTION	REF. NO.	PART NO.	DESCRIPTION
968	790095	Cover-Air Cleaner			(Used After Code Date 00010900 and Before Code Date 00070100).			----- Note -----
975	499810	Bowl-Float						694013 Gasket Set-Valve
977	499812	Gasket Set-Carburetor						(Used Before Code Date 03081100).
987	◆691000	Seal-Throttle Shaft			695104 Label-Emission			
1005	499603	Fan-Flywheel			(Used After Code Date 99093000 and Before Code Date 00011000).	1100	690973	Pivot-Rocker Arm
1013	690954	Nipple-Oil Filter				1119	691183	Screw (Alternator)
1017	690770	Screen-Oil Pump				1123	◆690987	Seal-O Ring (Solenoid Retainer)
1019	790094	Kit-Label				1126	690991	Screw (Fuel Transfer Tube)
1022	★△690971	Gasket-Rocker Cover			694390 Label-Emission	1127	690992	Screw (Float Bowl)
1023	499599	Cover-Rocker Arm (Cylinder 1)			(Used After Code Date 98123100 and Before Code Date 99100100).	1128	◆690990	Screw (Carburetor Nozzle)
1023A	499600	Cover-Rocker Arm (Cylinder 2)			499783 Label-Emission	1146	690718	Screw (Choke Shaft)
1024	499054	Pump-Oil			(Used Before Code Date 99010100).	1169	693140	Screw (Carburetor Cover Plate)
1026	690981	Rod-Push (Steel)				1330	273521	Repair Manual
1026A	690982	Rod-Push (Aluminum)	1051	691265	Ring-Retaining	1353	699725	Seal-O Ring (Fuel Transfer Tube Extension)
1027	492932	Filter-Oil	1054	280275	Tie-Cable			
1029	690972	Arm-Rocker	1058	275475	Operator's Manual (Emission)			
1035	691042	Shaft-Pump	1059	698516	Kit-Screw/Washer			
1036	695704	Label-Emission (Used After Code Date 00063000).	1070	691058	Screw (Flywheel Fan)			
		----- Note -----	1090	691293	Retainer-Brush			
		695432 Label-Emission	1095	699822	Gasket Set-Valve (Used After Code Date 03081000).			

★ Included in Engine Gasket Set-Ref. No. 358.

● Included in Carburetor Overhaul Kit-Ref. No. 121.

◆ Included in Carburetor Gasket Set-Ref. No. 977.

⊘ Included in Valve Gasket Set-Ref. No. 1095.

Illustrations cover a range of engines. Parts shown without corresponding text may not be used on your specific engine.