

406700

Illustrated Parts List

Model Series

406700

TYPE NUMBERS
0027 through 0162.

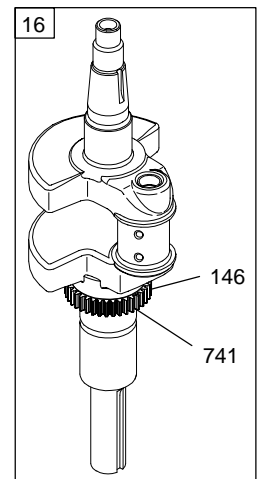
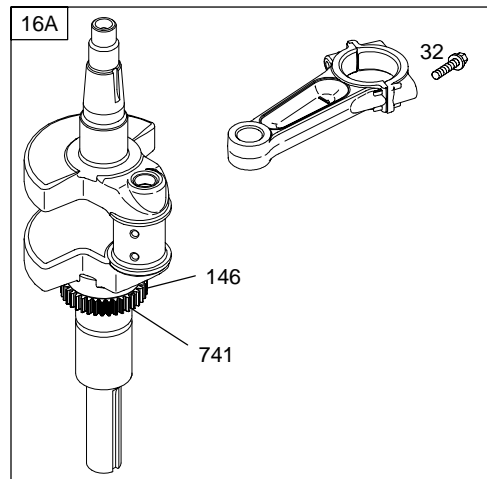
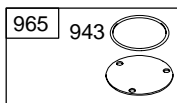
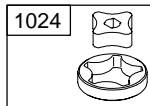
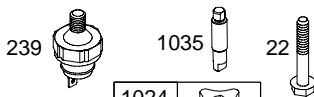
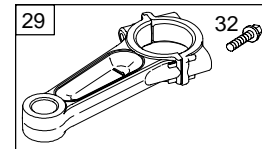
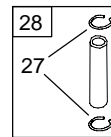
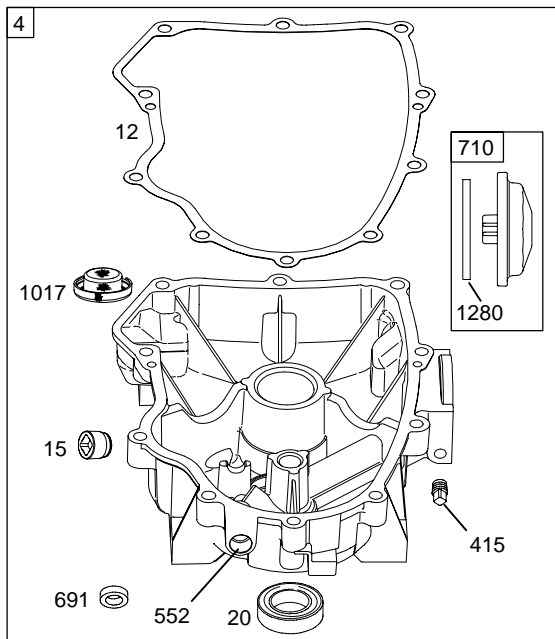
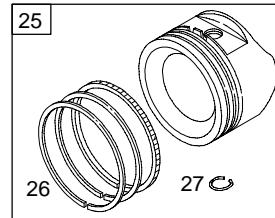
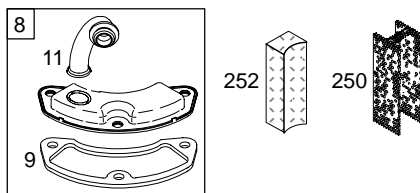
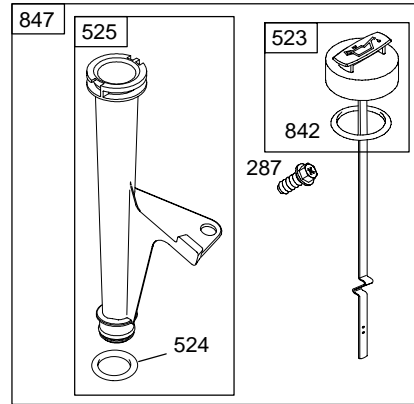
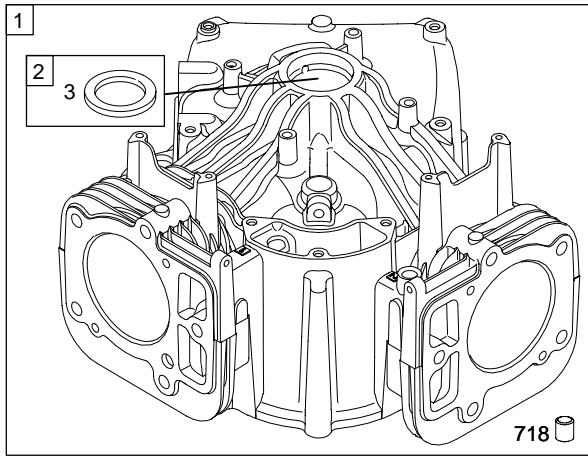
TABLE OF CONTENTS

Air Cleaner	5
Alternators/Ignition	7
Blower Housing/Shrouds	5
Camshaft	3
Carburetor	4
Controls	6
Crankcase Cover/Sump	2
Crankshaft	2
Cylinder	2
Electric Starter	6
Exhaust System	6
Flywheel	6
Head/Valves	3
Ignition	7
Kit/Gasket Sets	4
Lubrication	2
Pistons	2



PRINTED IN U.S.A.

COPYRIGHT by BRIGGS & STRATTON CORPORATION
All rights reserved. No part of this material may be reproduced or transmitted,
in any form or by any means, electronic or mechanical, including photocopying,
recording or by any information storage and retrieval system, without permission
in writing from Briggs & Stratton Corporation.

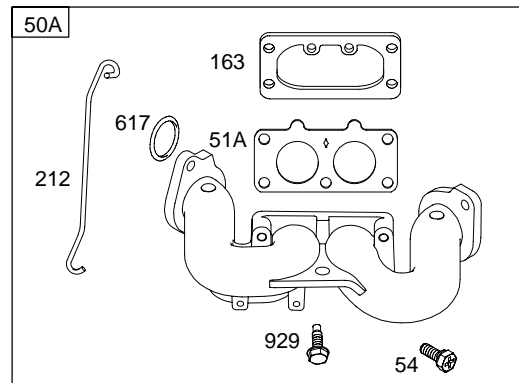
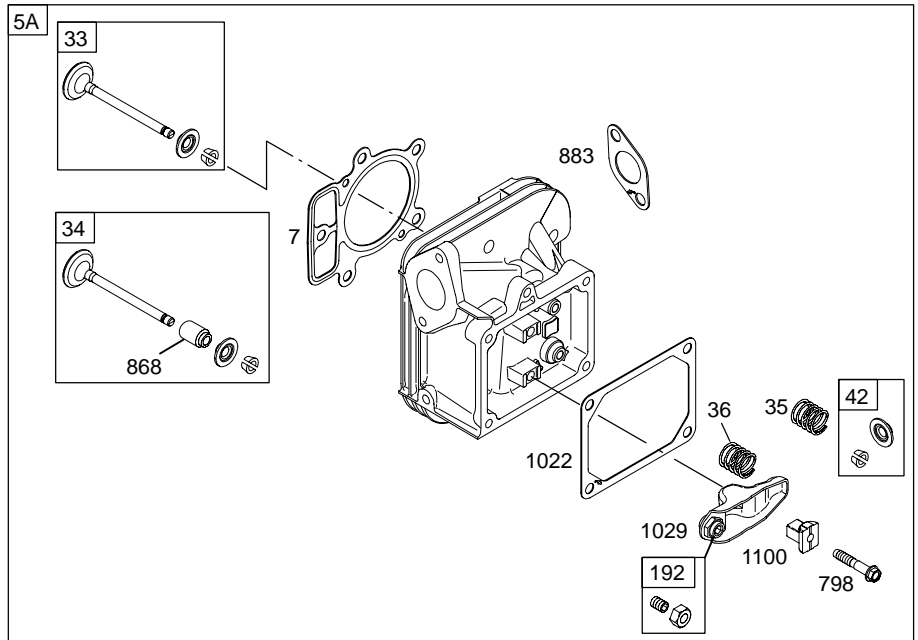
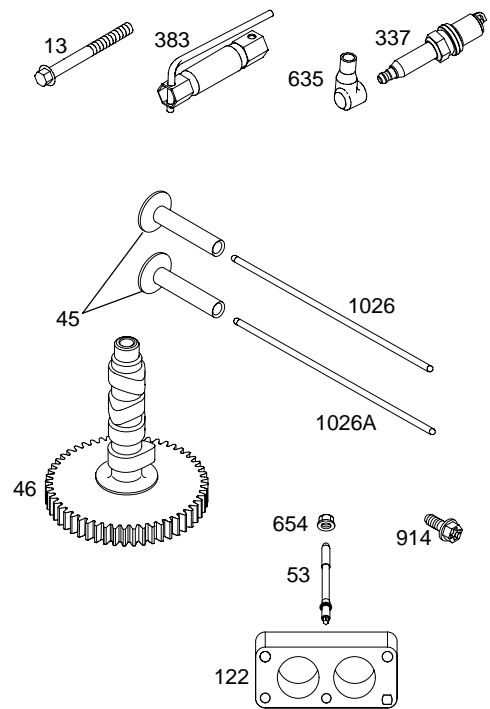
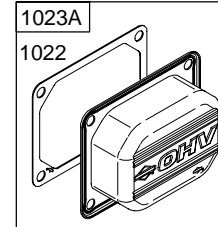
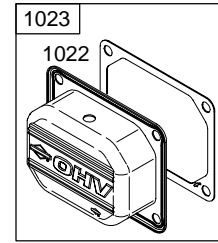
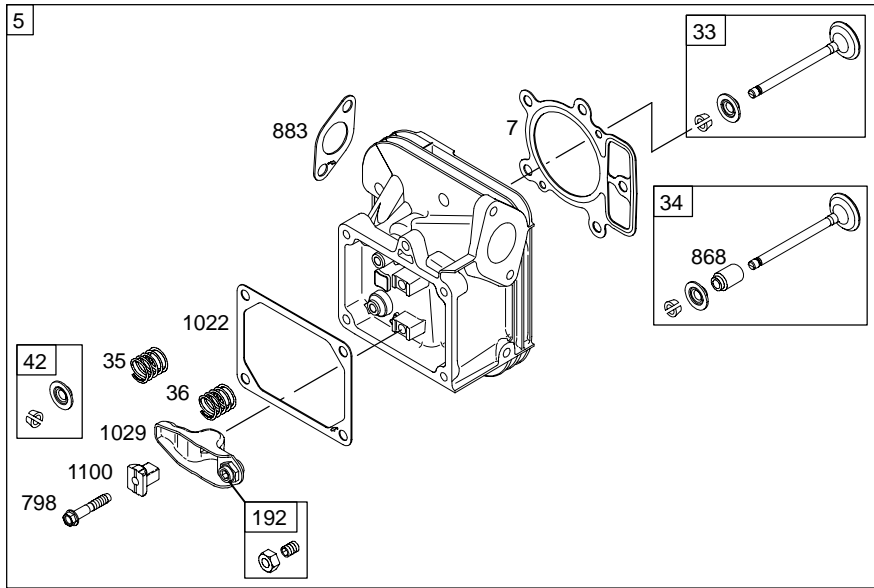


1019 LABEL KIT

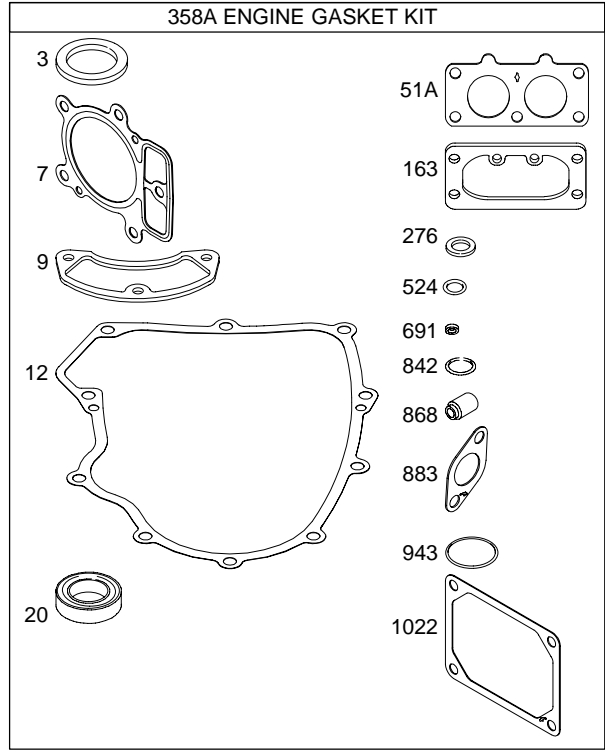
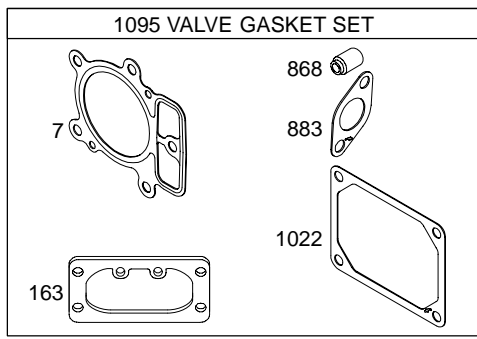
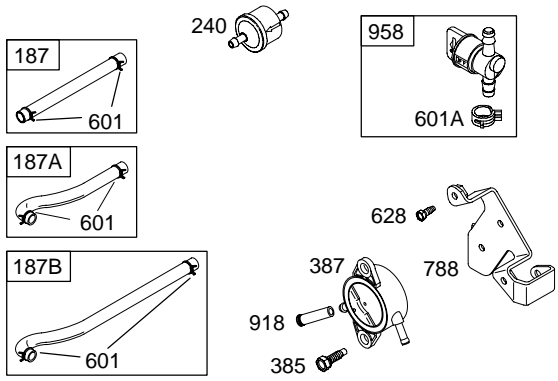
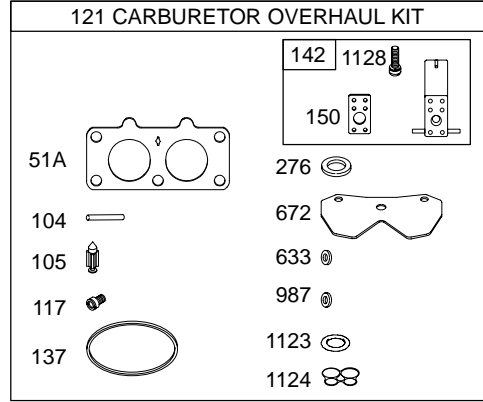
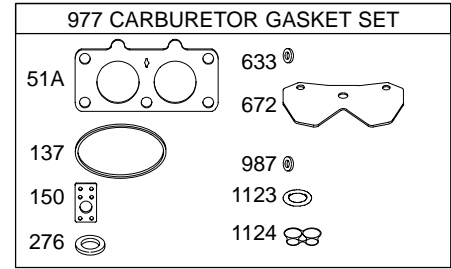
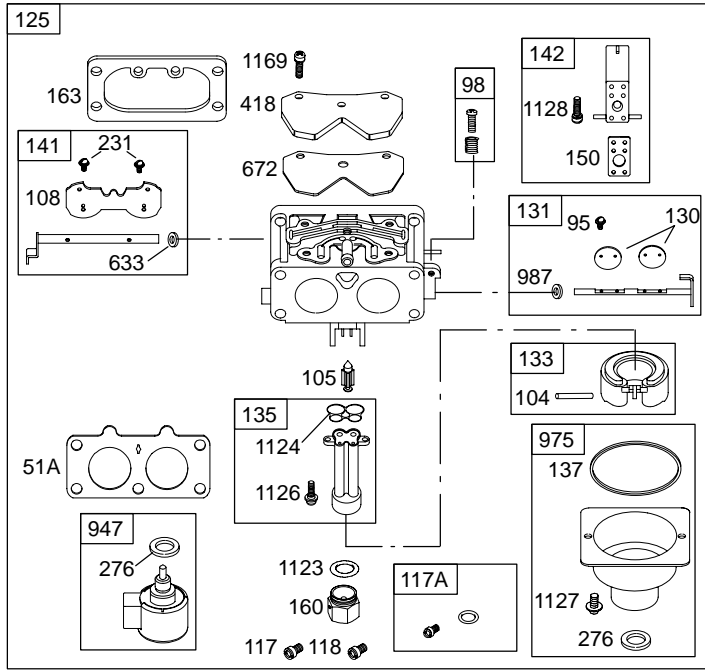
1058 OPERATOR'S MANUAL

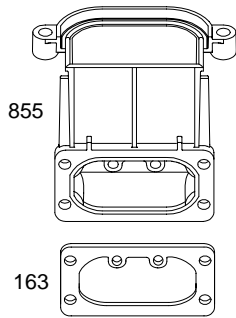
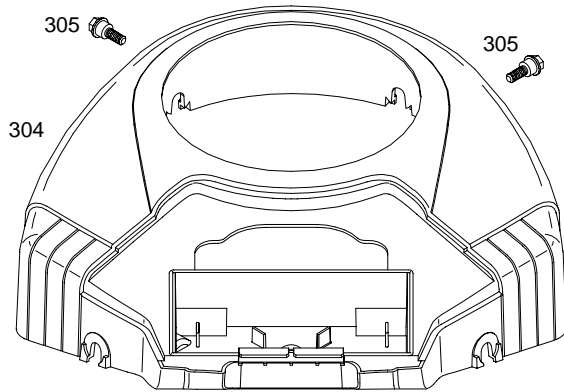
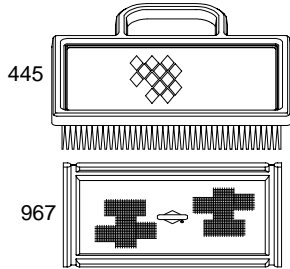
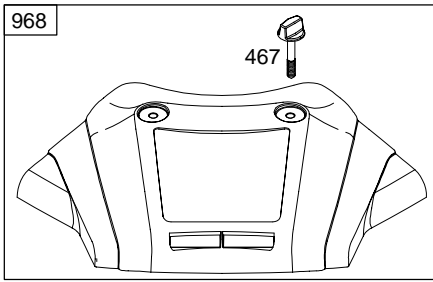
1330 REPAIR MANUAL

Illustrations cover a range of engines. Parts shown without corresponding text may not be used on your specific engine.
2986-2 Assemblies include all parts shown in frames. **06/14/2004**

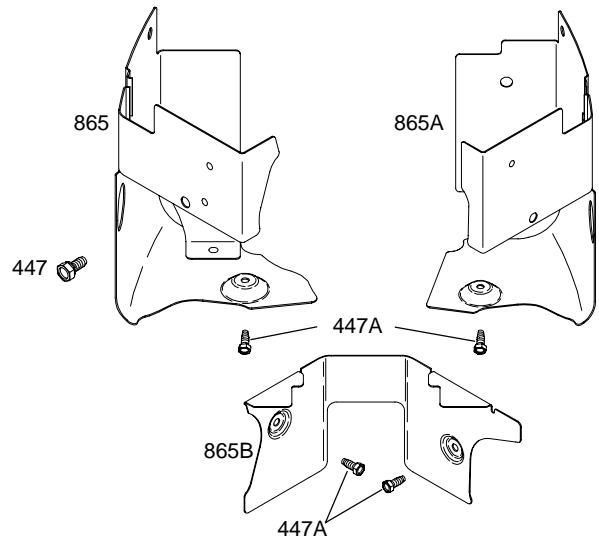
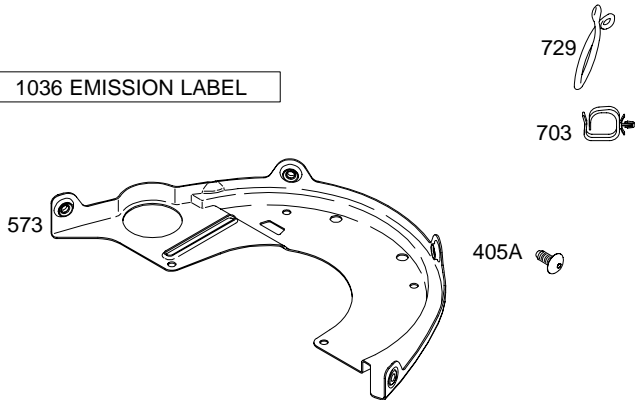


Illustrations cover a range of engines. Parts shown without corresponding text may not be used on your specific engine.
 2986-3 Assemblies include all parts shown in frames. 06/14/2004

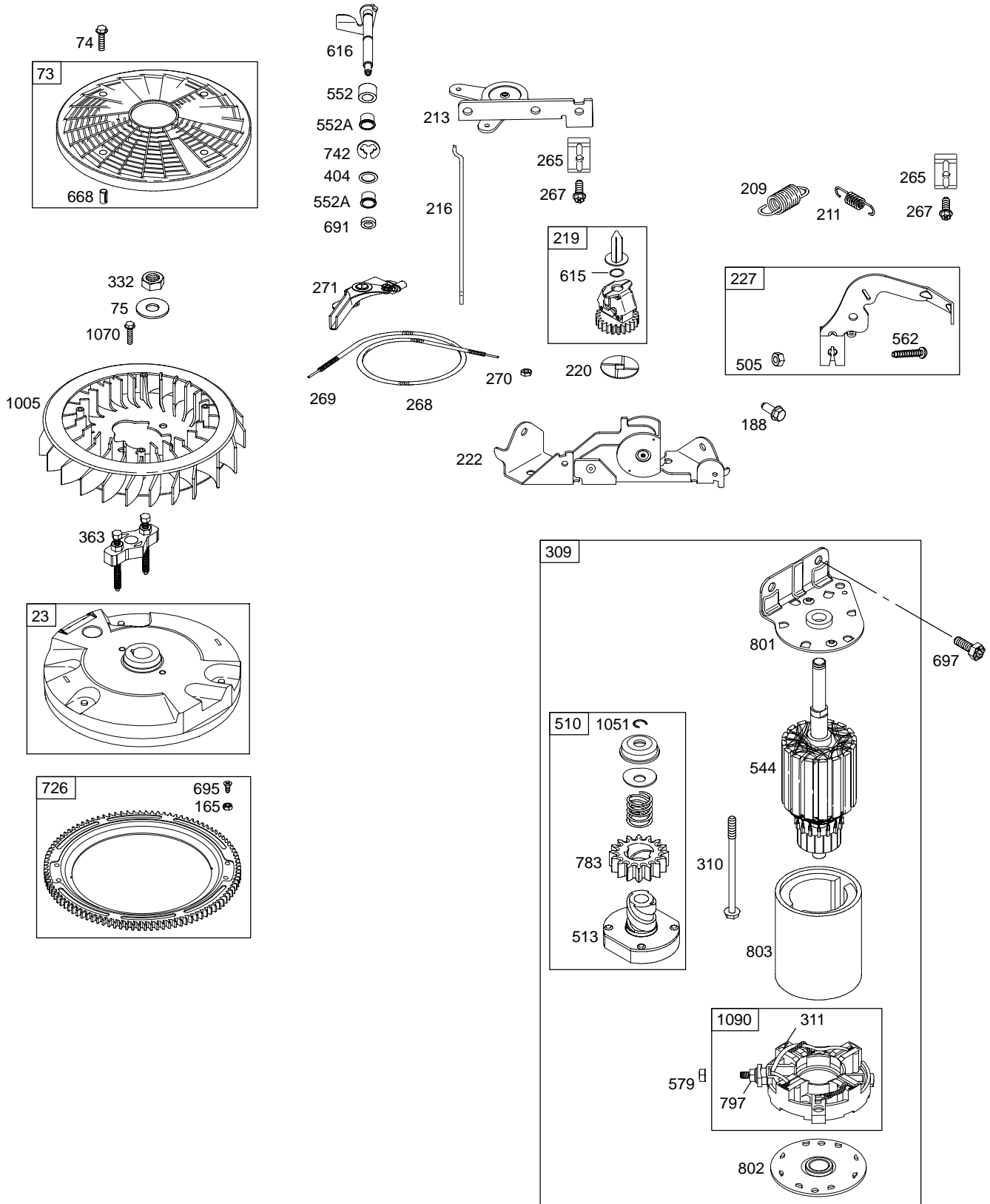






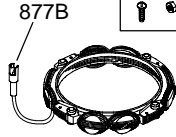
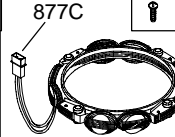
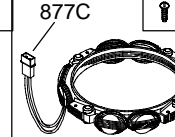


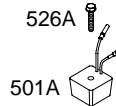

1036 EMISSION LABEL

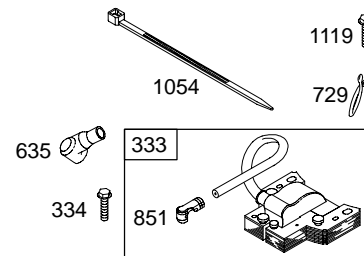
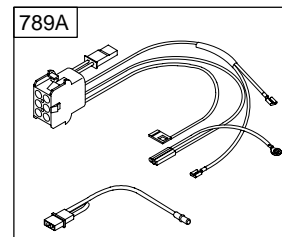
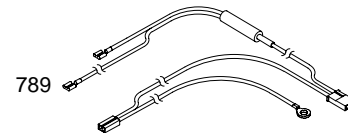


2986-5 *Illustrations cover a range of engines. Parts shown without corresponding text may not be used on your specific engine.* Assemblies include all parts shown in frames.



Illustrations cover a range of engines. Parts shown without corresponding text may not be used on your specific engine.

DUAL CIRCUIT	TRI CIRCUIT	9 AMP	10 AMP	16 AMP
<div style="border: 1px solid black; padding: 2px; display: inline-block;">474B</div> 	<div style="border: 1px solid black; padding: 2px; display: inline-block;">474C</div> 	<div style="border: 1px solid black; padding: 2px; display: inline-block;">474C</div> 	<div style="border: 1px solid black; padding: 2px; display: inline-block;">1059</div> 	<div style="border: 1px solid black; padding: 2px; display: inline-block;">474D</div> 
				
<p>NOTE: All Stators Use a No. 1119 Mounting Screw. </p> <p>NOTE: The proper flywheel part number and/or the alternator magnet size will determine the alternator type or output. See repair instruction manual for additional information.</p>				



406700

REF. NO.	PART NO.	DESCRIPTION	REF. NO.	PART NO.	DESCRIPTION	REF. NO.	PART NO.	DESCRIPTION
1	699751	Cylinder Assembly (Used After Code Date 03082800). ----- Note ----- 690231 Cylinder Assembly (Used Before Code Date 03082900).	16	699700	Crankshaft (Used After Code Date 03122700).	26	499604	Ring Set (Standard) ----- Note -----
2	499585	Kit-Bushing/Seal (Magneto Side)	16A	699701	Crankshaft (Includes Connecting Rod) (Used Before Code Date 03122800).			499605 Ring Set (.010" Oversize)
3	★391086	Seal-Oil (Magneto Side)	20	★690947	Seal-Oil (PTO Side)	27	690975	Lock-Piston Pin
4	699747	Sump-Engine (Used After Code Date 03082800). ----- Note ----- 690069 Sump-Engine (Used Before Code Date 03082900). 699752 Sump-Engine Used on Type No(s). 0102.	22	694966	Screw (Crankcase Cover/Sump)	28	690229	Pin-Piston (Standard)
5	693998	Head-Cylinder (Cylinder 1)	23	691053	Flywheel ----- Note ----- 691054 Flywheel Used on Type No(s). 0102, 0108, 0115, 0116, 0136.	29	699699	Rod-Connecting (Standard) (Used After Code Date 03122700) ----- Note ----- (For Replacement Connecting Rod, See Reference 16A) (Used Before Code Date 03122800).
5A	693999	Head-Cylinder (Cylinder 2)	24	222698	Key-Flywheel			697253 Rod-Connecting (.020" Undersize)
7	★△690962	Gasket-Cylinder Head	25	499588	Piston Assembly (Standard) ----- Note ----- 499589 Piston Assembly (.010" Oversize)	32	690976	Screw (Connecting Rod)
8	499601	Breather Assembly			499590 Piston Assembly (.020" Oversize)	33	499596	Valve-Exhaust
9	★690937	Gasket-Breather			499591 Piston Assembly (.030" Oversize)	34	697464	Valve-Intake
10	691108	Screw (Breather Assembly)						
11	690942	Tube-Breather						
12	★697227	Gasket-Crankcase						
13	690360	Screw (Cylinder Head)						
15	691680	Plug-Oil Drain (1/2" Square Flush)						

★ Included in Engine Gasket Set-Ref. No. 358.

● Included in Carburetor Overhaul Kit-Ref. No. 121.

◆ Included in Carburetor Gasket Set-Ref. No. 977.

⊘ Included in Valve Gasket Set-Ref. No. 1095.

Illustrations cover a range of engines. Parts shown without corresponding text may not be used on your specific engine.

2986-8

Assemblies include all parts shown in frames.

06/14/2004

REF. NO.	PART NO.	DESCRIPTION	REF. NO.	PART NO.	DESCRIPTION	REF. NO.	PART NO.	DESCRIPTION
35	690963	Spring-Valve (Intake)	121	499811	Kit-Carburetor Overhaul	209	692909	Spring-Governor (Yellow)
36	690963	Spring-Valve (Exhaust)	122	690952	Spacer-Carburetor			----- Note -----
42	499586	Keeper-Valve	125	499804	Carburetor			693102 Spring-Governor (Orange)
45	690977	Tappet-Valve	130	690993	Valve-Throttle			Used on Type No(s). 0118, 0120, 0144, 0154.
46	699748	Camshaft (Used After Code Date 03082800).	131	499805	Kit-Throttle Shaft			697674 Spring-Governor (Brown)
		----- Note -----	133	499806	Float-Carburetor			Used on Type No(s). 0115, 0116, 0128, 0136, 0139, 0151, 0158, 0161, 0162.
		690978 Camshaft (Used Before Code Date 03082900).	135	499803	Tube-Fuel Transfer			698071 Spring-Governor (White)
50A	695241	Manifold-Intake (Plastic)	137	◆690994	Gasket-Float Bowl			Used on Type No(s). 0027, 0100, 0102, 0105, 0138.
51A	◆690950	Gasket-Intake	141	499807	Kit-Choke Shaft			211 691019 Spring-Governed Idle
53	690951	Stud (Carburetor)	142	●499808	Nozzle-Carburetor (Standard)			212 695238 Link-Throttle (Used With Plastic Intake Manifold)
54	695240	Screw (Intake Manifold) (Used With Plastic Intake Manifold)	146	690979	Key-Timing			213 691021 Bracket-Choke Control
73	494439	Screen-Rotating	150	◆690995	Gasket-Nozzle			216 691022 Link-Choke
74	698425	Screw (Rotating Screen)	160	690996	Solenoid Retainer			219 698231 Gear-Governor
75	691056	Washer (Flywheel)	163	★△691001	Gasket-Air Cleaner			
95	690718	Screw (Throttle Valve)	165	693148	Nut (Ring Gear)			
98	499802	Kit-Idle Speed	187	691050	Line-Fuel (Cut to Required Length)			
104	●690984	Pin-Float Hinge	187A	691049	Line-Fuel (Molded)			
105	●690985	Valve-Float Needle	187B	693180	Line-Fuel (Molded)			
108	690986	Valve-Choke			Used on Type No(s). 0114, 0118, 0119, 0120, 0154.			
117	●690232	Jet-Main (Standard)	188	691108	Screw (Control Bracket)			
117A	699733	Jet-Main (Standard)	192	690083	Adjuster-Rocker Arm			
118	●690989	Jet-Main (High Altitude)						

★ Included in Engine Gasket Set-Ref. No. 358.

● Included in Carburetor Overhaul Kit-Ref. No. 121.

◆ Included in Carburetor Gasket Set-Ref. No. 977.

⊗ Included in Valve Gasket Set-Ref. No. 1095.

Illustrations cover a range of engines. Parts shown without corresponding text may not be used on your specific engine.

406700

REF. NO.	PART NO.	DESCRIPTION	REF. NO.	PART NO.	DESCRIPTION	REF. NO.	PART NO.	DESCRIPTION
220	690412	Washer (Governor Gear)	332	691059	Nut (Flywheel)	467	691008	Knob - Air Cleaner
222	698761	Bracket - Control	333	691060	Armature - Magneto	474B	696459	Alternator (Dual Circuit)
227	691048	Lever - Governor Control	334	691061	Screw (Magneto Armature)	474C	696457	Alternator (5 to 9 Amp Regulated)
231	690718	Screw (Choke Valve)	337	691043	Plug - Spark ----- Note -----			Used on Type No(s). 0114, 0117, 0120, 0130, 0157, 0158, 0160.
239	491657	Switch - Oil Pressure		491055	Plug - Spark Used on Type No(s). 0108, 0114, 0115, 0120, 0128, 0130, 0136, 0158.	474D	696458	Alternator (10 To 16 Amp Regulated) Used on Type No(s). 0027, 0118, 0128, 0138, 0139, 0151.
240	691035	Filter - Fuel	357	691483	Key - Drive Pulley Used on Type No(s). 0114.			
250	690957	Retainer - Breather	358A	699823	Gasket Set - Engine (Used After Code Date 03081000). ----- Note -----	501	691185	Regulator (10 To 16 Amp Regulated)
252	690956	Collector - Oil		694012	Gasket Set - Engine (Used Before Code Date 03081100).	501A	691188	Regulator (5 To 9 Amp Regulated)
265	691024	Clamp - Casing	363	19203	Flywheel Puller	505	691029	Nut (Governor Control Lever)
267	691044	Screw (Casing Clamp)	383	19374	Wrench - Spark Plug			
268	691025	Casing - Control Wire (Cut to Required Length)	385	691108	Screw (Fuel Pump)	510	696541	Drive - Starter
269	691026	Wire - Control (Cut to Required Length)	387	808656	Pump - Fuel	513	692024	Clutch - Drive
270	691027	Nut (Control Wire Casing)	404	690442	Washer (Governor Crank)	523	691036	Dipstick
271	691028	Lever - Control	405A	697820	Screw (Back Plate)	524	★691032	Seal - Dipstick Tube
276★◆	690997	Washer - Sealing	415	690283	Plug - Oil (Sump)	525	691037	Tube - Dipstick
287	691108	Screw (Dipstick Tube)	418	690999	Plate - Carburetor	526	691108	Screw (Regulator) (10 To 16 Amp Regulated)
304	695277	Housing - Blower (Black)	445	499486	Filter - Air Cleaner Cartridge	526A	691129	Screw (Regulator) (5 to 9 Amp Regulated)
305	691005	Screw (Blower Housing)	447	691003	Screw (Air Guide Cover)	544		Armature - Starter (Service With 691262 Starter Motor Only)
309	691262	Motor - Starter	447A	691108	Screw (Air Guide Cover)			
310	691263	Bolt (Starter Motor)						
311	497608	Brush Set						

★ Included in Engine Gasket Set - Ref. No. 358.

● Included in Carburetor Overhaul Kit - Ref. No. 121.

◆ Included in Carburetor Gasket Set - Ref. No. 977.

⊘ Included in Valve Gasket Set - Ref. No. 1095.

Illustrations cover a range of engines. Parts shown without corresponding text may not be used on your specific engine.

2986-10

Assemblies include all parts shown in frames.

06/14/2004

REF. NO.	PART NO.	DESCRIPTION	REF. NO.	PART NO.	DESCRIPTION	REF. NO.	PART NO.	DESCRIPTION
552	690552	Bushing-Governor Crank	726	499612	Gear-Ring	877B	399916	Wire/Connector-Alternator
552A	690553	Bushing-Governor Crank	729	694123	Clip-Wire			(10 To 16 Amp Regulated)
562	690311	Bolt (Governor Control Lever)	741	690980	Gear-Timing	878	691237	Harness-Alternator (Dual Circuit)
573	790444	Plate-Back	742	690328	Retainer-E Ring			
579	691029	Nut (Starter Cable)	750	691033	Screw (Oil Pump Cover)	883	*Δ690970	Gasket-Exhaust
601	95162	Clamp-Hose (Zinc Plate) (Spring Wire)	783	695708	Gear-Pinion	914	691127	Screw (Rocker Arm Cover)
601A	691038	Clamp-Hose (Zinc Plate)(Spring Wire)	788	691039	Bracket-Fuel Pump	918	694000	Hose-Vacuum
615	698290	Retainer-Governor Shaft	789	691220	Harness-Wiring	929	695239	Screw (Choke Control Bracket)
616	691045	Crank-Governor	789A	698330	Harness-Wiring (6 Pin)			(Used With Plastic Intake Manifold)
617	697891	Seal-O Ring (Intake Manifold) Used on Type No(s). 0139.	797	693167	Nut (Brush Retainer)	943	*690589	Seal-O Ring (Oil Pump Cover)
628	691108	Screw (Fuel Pump Bracket)	798	697890	Screw (Rocker Arm)	947	499809	Solenoid-Fuel
633	◆690998	Seal-Choke/Throttle Shaft	801	691283	Cap-Drive	958	698183	Valve-Fuel Shut-Off (Plastic) Used on Type No(s). 0114.
635	66538	Boot-Spark Plug	802	691286	Cap-End			
654	690958	Nut (Carburetor)	803		Starter Housing (Service With 691262 Starter Motor Only)	965	499613	Cover-Oil Pump
668	691215	Spacer	842	*691031	Seal-O Ring (Dipstick Tube)	967	273638	Filter-Pre Cleaner
672	◆690234	Gasket-Carburetor Plate	847	499602	Dipstick/Tube Assembly	968	790095	Cover-Air Cleaner
691	*690657	Seal-Governor Shaft	851	493880	Terminal-Spark Plug	975	499810	Bowl-Float
695	693149	Screw (Ring Gear)	855	691011	Adapter-Air Cleaner	977	499812	Gasket Set-Carburetor
697	690372	Screw (Drive Cap)	865	691012	Cover-Air Guide (Cylinder 1)	987	◆691000	Seal-Throttle Shaft
703	691010	Clip	865A	691014	Cover-Air Guide (Cylinder 2)	1005	499603	Fan-Flywheel
710	697474	Cover-Oil Filter	865B	691015	Cover-Air Guide (Valley)	1017	690770	Screen-Oil Pump
718	690959	Pin-Locating	868	*Δ690968	Seal-Valve			
			877	393456	Wire/Connector-Alternator (Dual Circuit)			
			877A	393537	Wire/Connector-Alternator (5 To 9 Amp Regulated)			

★ Included in Engine Gasket Set-Ref. No. 358.

● Included in Carburetor Overhaul Kit-Ref. No. 121.

◆ Included in Carburetor Gasket Set-Ref. No. 977.

⊘ Included in Valve Gasket Set-Ref. No. 1095.

Illustrations cover a range of engines. Parts shown without corresponding text may not be used on your specific engine.

406700

REF. NO.	PART NO.	DESCRIPTION	REF. NO.	PART NO.	DESCRIPTION	REF. NO.	PART NO.	DESCRIPTION
1019	790094	Kit-Label	1036	695704	Label-Emission (Used After Code Date 00063000).	1054	280275	Tie-Cable
1022	★△690971	Gasket-Rocker Cover			----- Note -----	1058	275475	Operator's Manual (Emission)
1023	499599	Cover-Rocker Arm (Cylinder 1)			695432 Label-Emission (Used After Code Date 00010900 and Before Code Date 00070100).	1059	698516	Kit-Screw/Washer
1023A	499600	Cover-Rocker Arm (Cylinder 2)			695104 Label-Emission (Used After Code Date 99093000 and Before Code Date 00011000).	1070	690372	Screw (Flywheel Fan)
1024	499054	Pump-Oil			694390 Label-Emission (Used After Code Date 98123100 and Before Code Date 99100100).	1090	691293	Retainer-Brush
1026	690981	Rod-Push (Steel)			499783 Label-Emission (Used Before Code Date 99010100).	1095	699822	Gasket Set-Valve (Used After Code Date 03081000)
1026A	690982	Rod-Push (Aluminum)						----- Note -----
1027	492932	Filter-Oil			1051	691265	Ring-Retaining	694013 Gasket Set-Valve (Used Before Code Date 03081100)
1029	690972	Arm-Rocker						1100 690973 Pivot-Rocker Arm
1035	691042	Shaft-Pump						1119 691183 Screw (Alternator)
								1123 ●◆690987 Seal-O Ring (Solenoid Retainer)
								1124 ●◆690988 Seal-O Ring (Fuel Transfer Tube)
								1126 690991 Screw (Fuel Transfer Tube)
								1127 690992 Screw (Float Bowl)
								1128 ●690990 Screw (Carburetor Nozzle)
								1169 ●693140 Screw (Carburetor Cover Plate)
								1280 697475 Seal-O Ring (Oil Filter Cover) Used on Type No(s). 0102.
								1330 273521 Repair Manual
								1353 699725 Seal-O Ring (Fuel Transfer Tube Extension)

★ Included in Engine Gasket Set-Ref. No. 358.

● Included in Carburetor Overhaul Kit-Ref. No. 121.

◆ Included in Carburetor Gasket Set-Ref. No. 977.

⊘ Included in Valve Gasket Set-Ref. No. 1095.

Illustrations cover a range of engines. Parts shown without corresponding text may not be used on your specific engine.

2986-12

Assemblies include all parts shown in frames.

06/14/2004