

407500

Illustrated Parts List

Model Series

407500

TYPE NUMBERS
0025 through 0317.

TABLE OF CONTENTS

Air Cleaner	5
Alternators/Ignition	7
Blower Housing/Shrouds	5
Cam/Crankshaft	2
Carburetor	4
Controls	6
Crankcase Cover/Sump	2
Cylinder	2
Electric Starter	6
Flywheel	6
Head/Valves	3
Kit/Gasket Sets	4
Muffler	6
Oil	2
Pistons	2

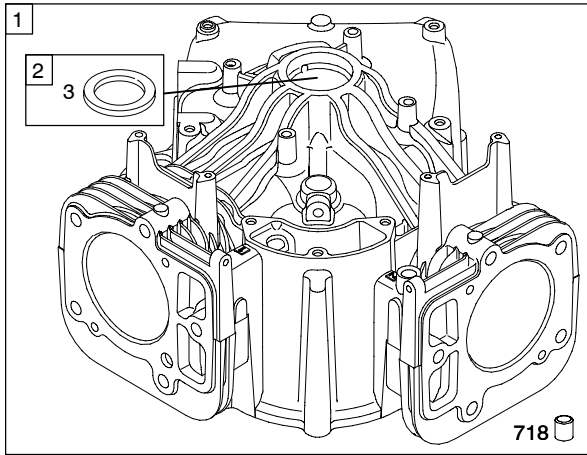


PRINTED IN U.S.A.

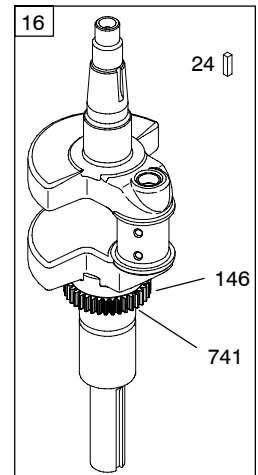
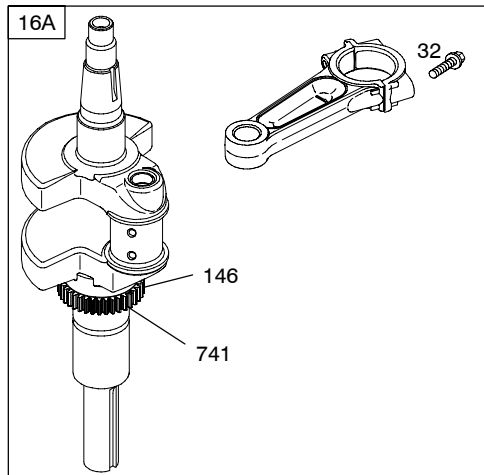
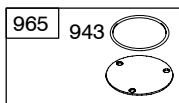
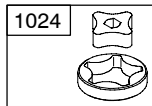
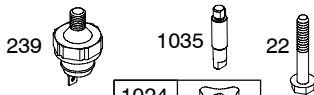
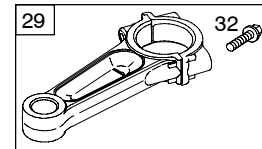
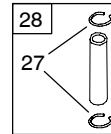
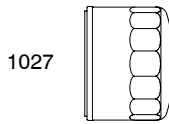
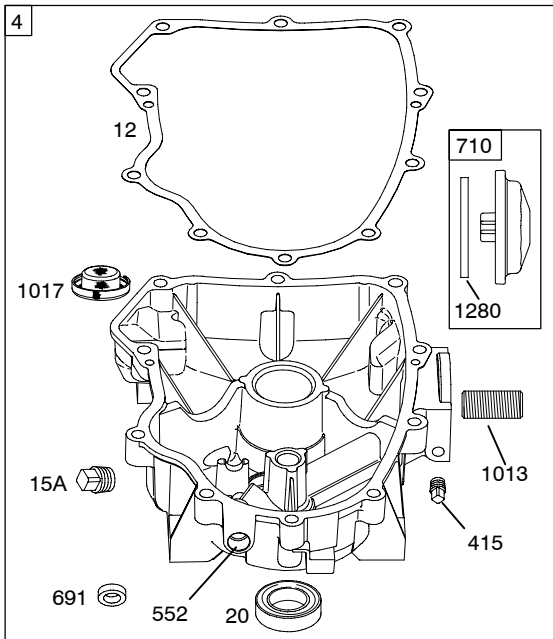
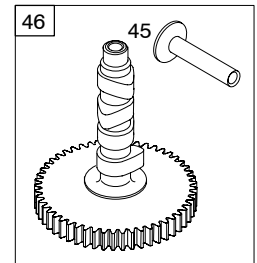
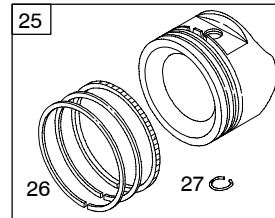
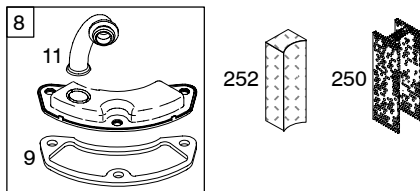
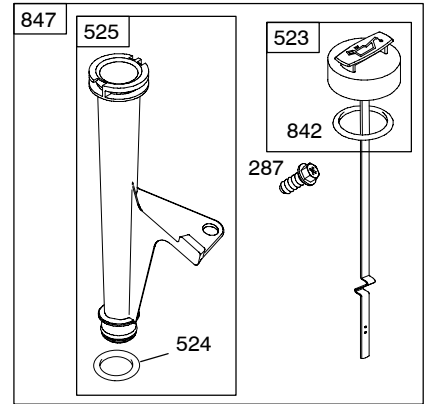
COPYRIGHT by BRIGGS & STRATTON CORPORATION
All rights reserved. No part of this material may be reproduced or transmitted, in any form or by any means, electronic or mechanical, including photocopying, recording or by any information storage and retrieval system, without permission in writing from Briggs & Stratton Corporation.



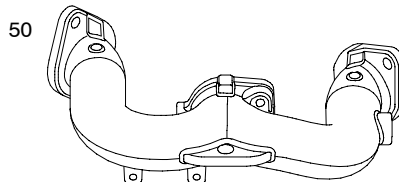
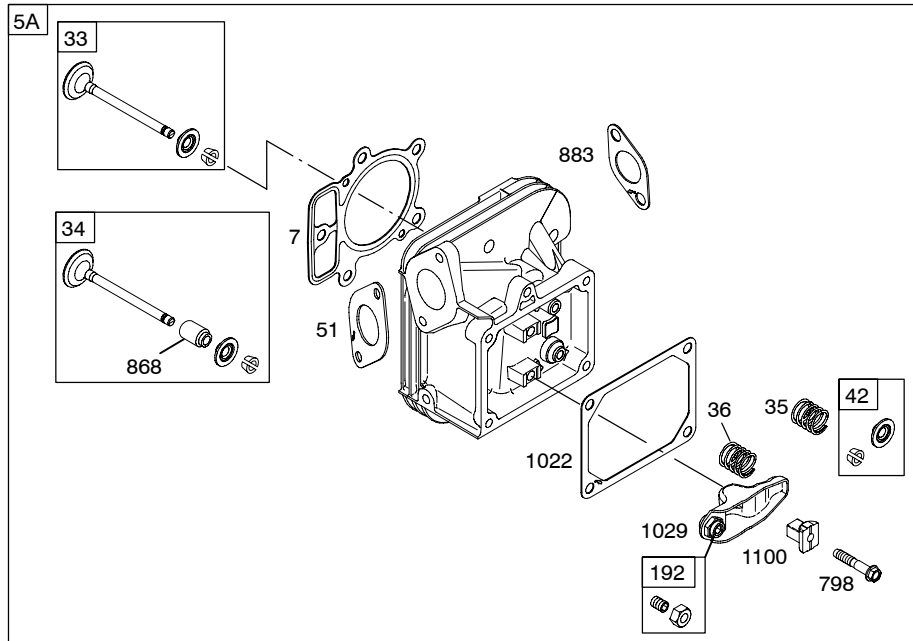
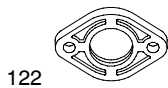
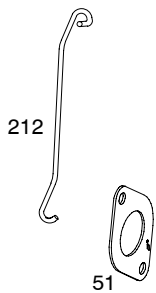
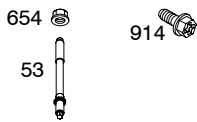
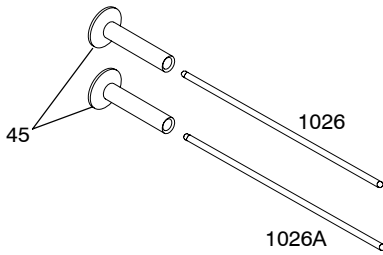
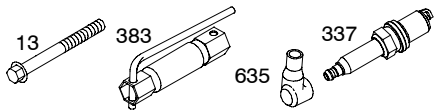
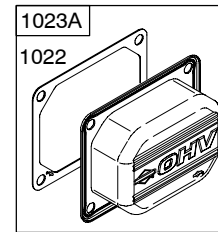
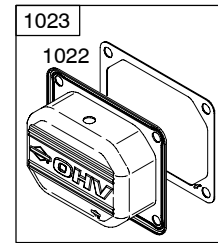
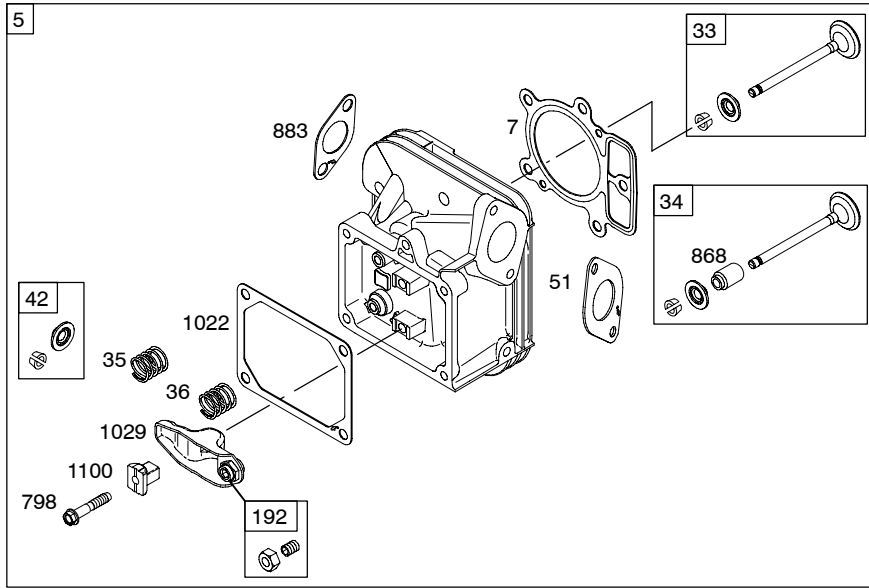
0 24847 09267 7



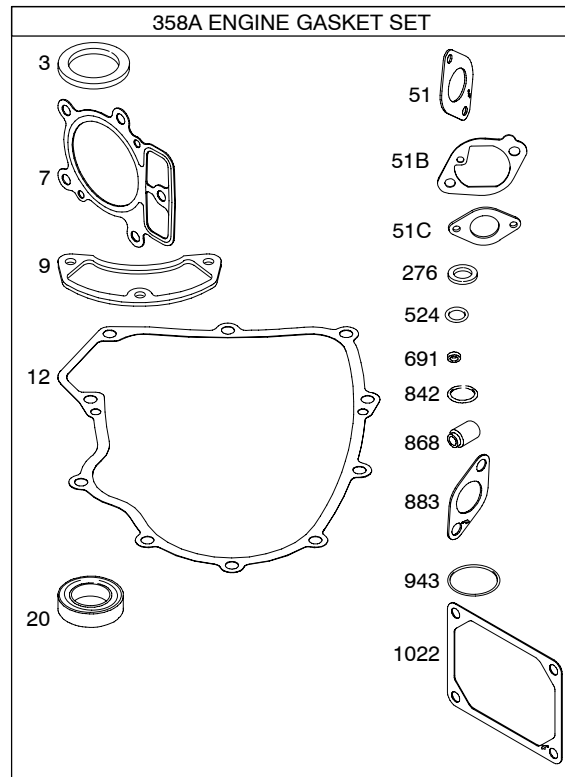
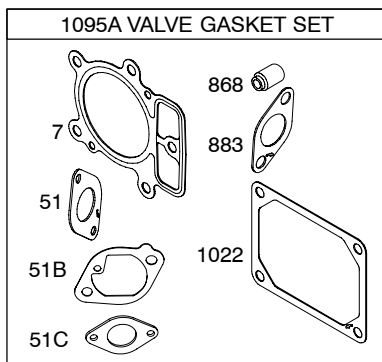
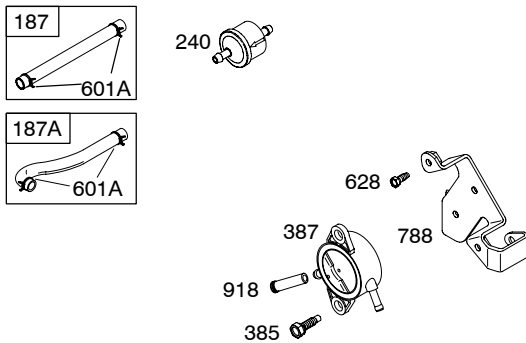
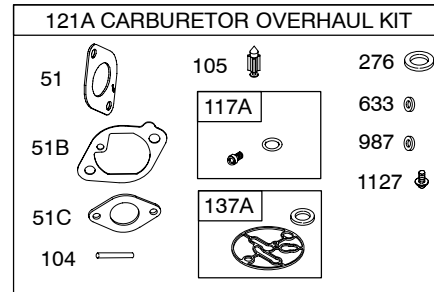
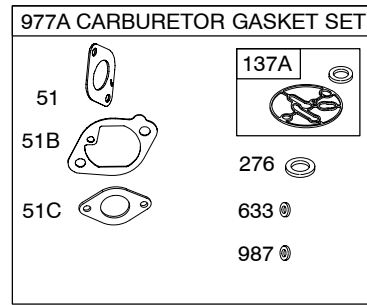
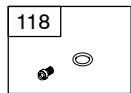
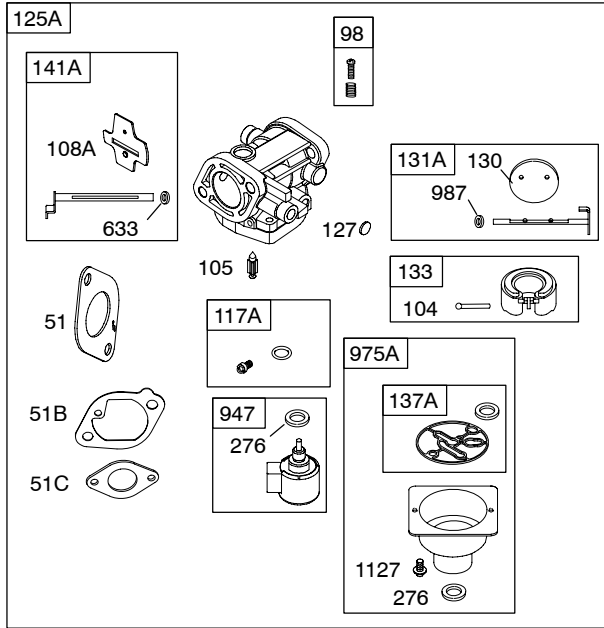
1019 LABEL KIT
 1058 OPERATOR'S MANUAL
 1330 REPAIR MANUAL



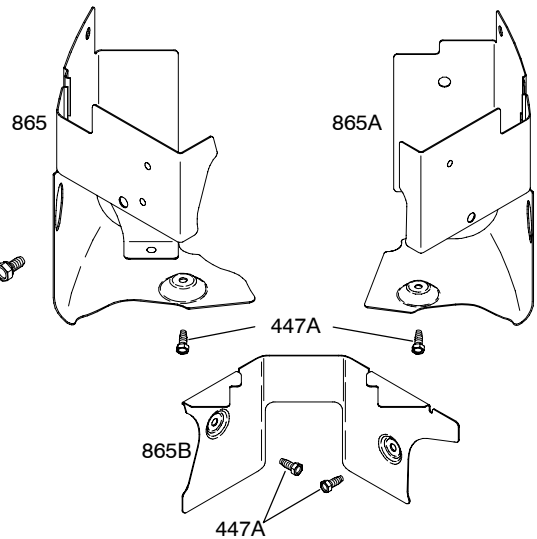
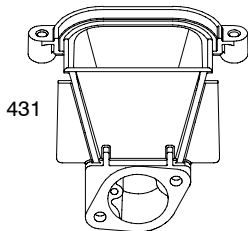
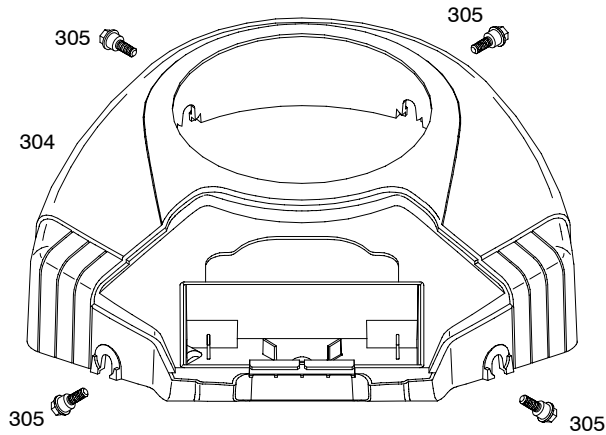
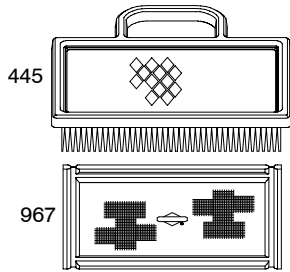
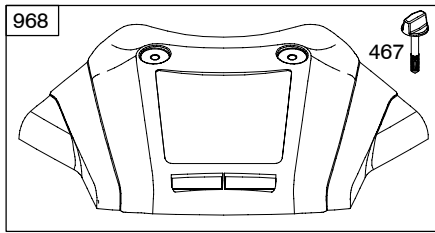
Illustrations cover a range of engines. Parts shown without corresponding text may not be used on your specific engine.
 5731-2 Assemblies include all parts shown in frames. 06/16/2004



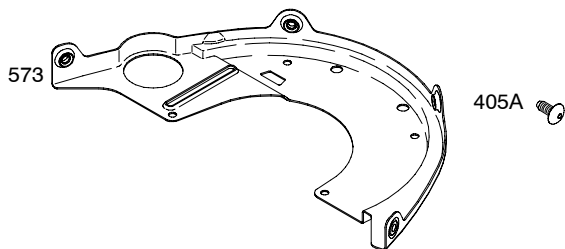
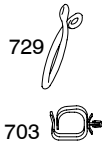
5731-3 Illustrations cover a range of engines. Parts shown without corresponding text may not be used on your specific engine. Assemblies include all parts shown in frames. 06/16/2004

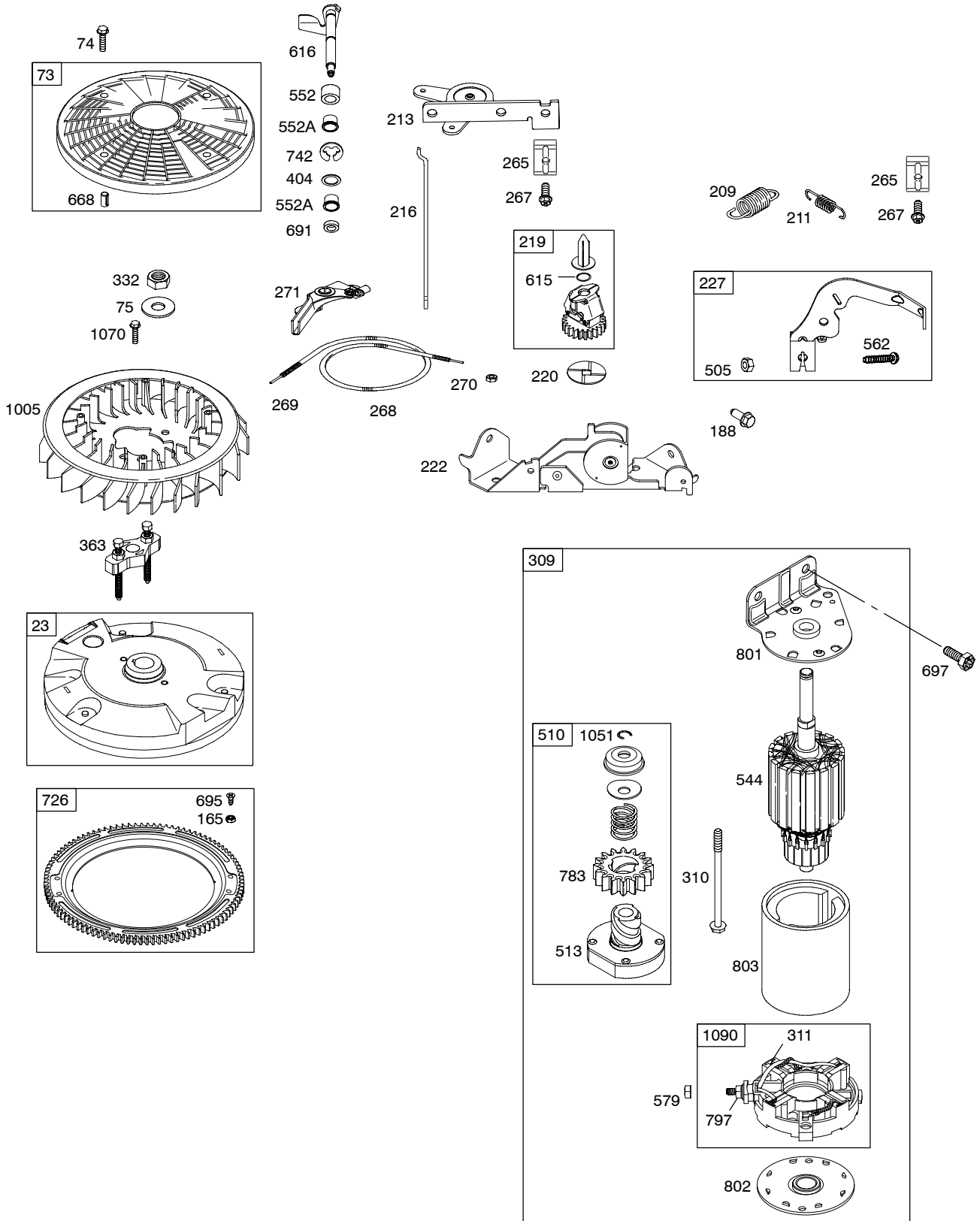


Illustrations cover a range of engines. Parts shown without corresponding text may not be used on your specific engine.
 5731-4 Assemblies include all parts shown in frames. 06/16/2004

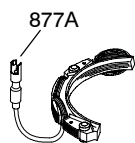



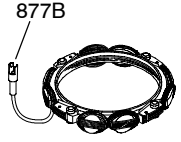
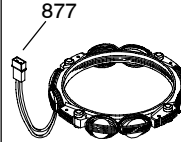

1036 EMISSIONS LABEL






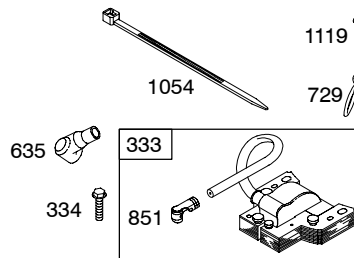
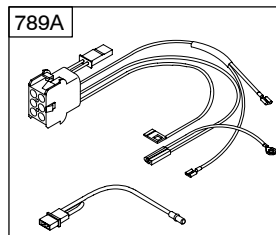
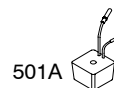
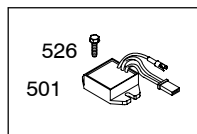
Illustrations cover a range of engines. Parts shown without corresponding text may not be used on your specific engine.
 5731-6 Assemblies include all parts shown in frames. 06/16/2004



DUAL CIRCUIT	TRI CIRCUIT	10 - 16 AMP
474B 	474C 	474D 
878 		

NOTE: All stators use a No. 1119 mounting screw. 

NOTE: The proper flywheel part number and/or the alternator magnet size will determine the alternator type or output. See repair instruction manual for additional information.



Illustrations cover a range of engines. Parts shown without corresponding text may not be used on your specific engine.

407500

REF. NO.	PART NO.	DESCRIPTION	REF. NO.	PART NO.	DESCRIPTION	REF. NO.	PART NO.	DESCRIPTION
1	699751	Cylinder Assembly (Used After Code Date 03082800). ----- Note ----- 690231 Cylinder Assembly (Used Before Code Date 03082900).	15A	690946	Plug-Oil Drain (3/8" Standard)	29	699699	Rod-Connecting (Standard) (Used After Code Date 03122700). ----- Note ----- (Used Before Code Date 03122800). (For Replacment Connecting Rod, See Reference 16A)
2	499585	Kit-Bushing/Seal (Magneto Side)	16	699700	Crankshaft (Used After Code Date 03122700). ----- Note ----- 790132 Crankshaft (Used After Code Date 03122700). Used on Type No(s). 0026, 0287.	32	690976	Screw (Connecting Rod)
3	*391086	Seal-Oil (Magneto Side)	16A	699701	Crankshaft (Includes Connecting Rod). (Used Before Code Date 03122800). ----- Note ----- 790133 Crankshaft (Used Before Code Date 03122800). Used on Type No(s). 0026, 0287.	33	499596	Valve-Exhaust
4	699747	Sump-Engine (Used After Code Date 03082800). 690069 Sump-Engine (Used Before Code Date 03082900). ----- Note ----- 699752 Sump-Engine Used on Type No(s). 0211.	20	*690947	Seal-Oil (PTO Side)	34	697464	Valve-Intake
5	693998	Head-Cylinder (Cylinder 1)	22	694966	Screw (Crankcase Cover/ Sump)	35	690963	Spring-Valve (Intake)
5A	693999	Head-Cylinder (Cylinder 2)	23	691054	Flywheel ----- Note ----- 691053 Flywheel Used on Type No(s). 0026, 0027, 0110, 0111, 0284, 0287, 0288, 0294, 0309.	36	690963	Spring-Valve (Exhaust)
7	*Δ690962	Gasket-Cylinder Head	24	222698	Key-Flywheel	42	499586	Keeper-Valve
8	499601	Breather Assembly	25	499588	Piston Assembly (Standard) ----- Note ----- 499590 Piston Assembly (.020" Oversize)	45	690977	Tappet-Valve
9	*690937	Gasket-Breather	26	499604	Ring Set (Standard) ----- Note ----- 499606 Ring Set (.020" Oversize)	46	699748	Camshaft (Used After Code Date 03082800). ----- Note ----- 690978 Camshaft (Used Before Code Date 03082900).
10	691108	Screw (Breather Assembly)	27	690975	Lock-Piston Pin	50	699801	Manifold-Intake
11	690942	Tube-Breather	28	690229	Pin-Piston (Standard)	51	690949	Gasket-Intake
12	*697227	Gasket-Crankcase				51B	699800	Gasket-Intake
13	690360	Screw (Cylinder Head)				51C	699803	Gasket-Intake
						53	690951	Stud (Carburetor)
						54	695240	Screw (Intake Manifold)
						54A	699816	Screw (Intake Manifold) Used on Type No(s). 0257, 0283, 0284, 0317.
						73	494439	Screen-Rotating

* Included in Engine Gasket Set-Ref. No. 358.

● Included in Carburetor Overhaul Kit-Ref. No. 121.

◆ Included in Carburetor Gasket Set-Ref. No. 977.

Δ Included in Valve Gasket Set-Ref. No. 1095.

Illustrations cover a range of engines. Parts shown without corresponding text may not be used on your specific engine.

REF. NO.	PART NO.	DESCRIPTION	REF. NO.	PART NO.	DESCRIPTION	REF. NO.	PART NO.	DESCRIPTION
74	698425	Screw (Rotating Screen)	209	692909	Spring-Governor (Yellow)	239	491657	Switch-Oil Pressure
75	691056	Washer (Flywheel)			----- Note -----	240	691035	Filter-Fuel
89	690946	Plug-Oil			698071 Spring-Governor	250	690957	Retainer-Breather
98	699721	Kit-Idle Speed			Used on Type No(s). 0110.	252	690956	Collector-Oil
104	694918	Pin-Float Hinge			691018 Spring-Governor	265	691024	Clamp-Casing
105	698537	Valve-Float Needle			Used on Type No(s). 0111.	267	691044	Screw
108A	699808	Valve-Choke			697674 Spring-Governor	268	691025	Casing-Control Wire (Cut to Required Length)
117A	698784	Jet-Main (Standard)			Used on Type No(s). 0257, 0287, 0288.	269	691026	Wire-Control (Cut to Required Length)
118	699820	Jet-Main (High Altitude)			790034 Spring-Governor	270	691027	Nut (Control Wire Casing)
121A	699814	Kit-Carburetor Overhaul			Used on Type No(s). 0317.	271	691028	Lever-Control
122	699802	Spacer-Carburetor			211 691019 Spring-Governed Idle	276★◆695410	695410	Washer-Sealing
125A	699807	Carburetor			212 699805 Link-Throttle	287	691108	Screw (Dipstick Tube)
127	699810	Plug-Welch			213 691021 Bracket-Choke Control	304	695277	Housing-Blower (Black)
130	699809	Valve-Throttle			216 691022 Link-Choke	305	691005	Screw (Blower Housing) ----- Note -----
131A	699812	Kit-Throttle Shaft			219 698231 Gear-Governor			698336 Screw (Blower Housing)
133	694914	Float-Carburetor			220 690412 Washer (Governor Gear)			Used on Type No(s). 0211, 0217, 0257.
137A ◆698781	698781	Gasket-Float Bowl			222 698761 Bracket-Control ----- Note -----	309	497595	Motor-Starter
141A	699811	Kit-Choke Shaft			698757 Bracket-Control	310	690323	Bolt (Starter Motor)
146	690979	Key-Timing			Used on Type No(s). 0287, 0288.	311	497608	Brush Set
165	693148	Nut (Ring Gear)			227 691048 Lever-Governor Control	332	691059	Nut (Flywheel)
187	699799	Line-Fuel			231 690718 Screw (Choke Valve)	333	691060	Armature-Magneto
187A	691049	Line-Fuel (Molded)						
188	691003	Screw (Control Bracket)						
192	690083	Adjuster-Rocker Arm						

★ Included in Engine Gasket Set-Ref. No. 358.

● Included in Carburetor Overhaul Kit-Ref. No. 121.

◆ Included in Carburetor Gasket Set-Ref. No. 977.

△ Included in Valve Gasket Set-Ref. No. 1095.

Illustrations cover a range of engines. Parts shown without corresponding text may not be used on your specific engine.

407500

REF. NO.	PART NO.	DESCRIPTION	REF. NO.	PART NO.	DESCRIPTION	REF. NO.	PART NO.	DESCRIPTION
334	691061	Screw (Magneto Armature)	501	691185	Regulator (10 To 16 Amp Regulated)	601	691038	Clamp-Hose
337	491055	Plug-Spark ----- Note ----- 691043 Plug-Spark Used on Type No(s). 0025, 0026, 0027, 0111, 0211, 0283, 0284, 0287, 0288, 0308, 0309.			Used on Type No(s). 0026, 0027, 0110, 0283, 0284, 0287, 0288, 0294, 0309.	615	698290	Shaft-Governor Retainer
358A	699823	Gasket Set-Engine	501A	691188	Regulator Used on Type No(s). 0111, 0317.	616	691045	Crank-Governor
363	19203	Flywheel Puller	505	691029	Nut (Governor Control Lever)	628	691108	Screw (Fuel Pump Bracket)
383	19374	Wrench-Spark Plug				633	◆695414	Seal-Choke/Throttle Shaft
385	691108	Screw (Fuel Pump)	510	696541	Drive-Starter	635	66538	Boot-Spark Plug
387	808656	Pump-Fuel	513	692024	Clutch-Drive	654	690958	Nut (Carburetor)
404	690442	Washer (Governor Crank)	523	691036	Dipstick	668	691215	Spacer
405A	697820	Screw (Back Plate) (Mounting)	524	★691032	Seal-Dipstick Tube	691	★690657	Seal-Governor Shaft
415	690283	Plug	525	691037	Tube-Dipstick	695	693149	Screw (Ring Gear)
431	699806	Elbow-Intake	526	691108	Screw (Regulator) (10 To 16 Amp Regulated)	697	690372	Screw (Drive Cap)
445	499486	Filter-Air Cleaner Cartridge			----- Note ----- 691129 Screw (Regulator) Used on Type No(s). 0111, 0317.	703	691010	Clip
447	691003	Screw (Air Guide Cover)	544	692034	Armature-Starter	710	697474	Cover-Oil Filter
447A	691108	Screw (Air Guide Cover)	552	690552	Bushing-Governor Crank	718	690959	Pin-Locating
474B	696459	Alternator (Dual Circuit)	552A	690553	Bushing-Governor Crank	726	499612	Gear-Ring
474C	696457	Alternator Used on Type No(s). 0111.	562	690311	Bolt (Governor Control Lever)	729	694123	Clip-Wire
474D	696458	Alternator Used on Type No(s). 0026, 0027, 0110, 0284, 0287, 0288, 0294, 0309.	573	790444	Plate-Back	741	690980	Gear-Timing
			579	691029	Nut (Starter Cable)	742	690328	Retainer-E Ring
						750	696999	Screw (Oil Pump Cover)
						783	695708	Gear-Pinion
						788	691039	Bracket-Fuel Pump
						789A	698330	Harness-Wiring (6 Pin Customer Conversion)
						797	693167	Nut (Brush Retainer)
						798	697890	Screw (Rocker Arm)
						801	691283	Cap-Drive
						802	691286	Cap-End
						803	693757	Housing-Starter

★ Included in Engine Gasket Set-Ref. No. 358.

● Included in Carburetor Overhaul Kit-Ref. No. 121.

◆ Included in Carburetor Gasket Set-Ref. No. 977.

△ Included in Valve Gasket Set-Ref. No. 1095.

Illustrations cover a range of engines. Parts shown without corresponding text may not be used on your specific engine.

REF. NO.	PART NO.	DESCRIPTION	REF. NO.	PART NO.	DESCRIPTION	REF. NO.	PART NO.	DESCRIPTION
842	★691031	Seal-O Ring (Dipstick)	918	694000	Hose-Vacuum	1029	690972	Arm-Rocker
847	499602	Dipstick/Tube Assembly	943	★690589	Seal-O Ring (Oil Pump Cover)	1035	691042	Shaft-Pump
851	493880	Terminal-Spark Plug	947	699728	Solenoid-Fuel	1036	695704	Label-Emissions
865	691012	Cover-Air Guide (Cylinder 1)	965	499613	Cover-Oil Pump	1051	691265	Ring-Retaining
865A	691014	Cover-Air Guide (Cylinder 2)	967	273638	Filter-Pre Cleaner	1054	280275	Tie-Cable
865B	691015	Cover-Air Guide (Valley)	968	790095	Cover-Air Cleaner	1058	275475	Owner's Manual (Emission)
868	★△690968	Seal-Valve	975A	699502	Bowl-Float	1070	691058	Screw (Flywheel Fan)
877	393456	Wire/Connector-Alternator	977A	699815	Gasket Set-Carburetor	1090	691293	Retainer-Brush
877A	393537	Wire/Connector-Alternator (5 To 9 Amp Regulated)	987	◆699813	Seal-Throttle Shaft	1095A	699822	Gasket Set-Valve
877B	399916	Wire/Connector-Alternator (10-16 Amp Regulated)	1005	499603	Fan-Flywheel	1100	690973	Pivot-Rocker Arm
878	691237	Harness-Alternator	1013	690954	Nipple-Oil Filter	1119	691183	Screw (Alternator)
883	690970	Gasket-Exhaust	1017	690770	Screen-Oil Pump	1127	695407	Screw (Float Bowl)
914	691127	Screw (Rocker Cover)	1019	790094	Kit-Label	1280	697475	Seal-O Ring (Oil Filter Cover)
			1022	★△690971	Gasket-Rocker Cover	1330	273521	Manual-Repair
			1023	499599	Cover-Rocker Arm (Cylinder 1)			
			1023A	499600	Cover-Rocker Arm (Cylinder 2)			
			1024	499054	Pump-Oil			
			1026	690981	Rod-Push (Steel)			
			1026A	690982	Rod-Push (Aluminum)			
			1027	492932	Filter-Oil			

★ Included in Engine Gasket Set-Ref. No. 358.

● Included in Carburetor Overhaul Kit-Ref. No. 121.

◆ Included in Carburetor Gasket Set-Ref. No. 977.

△ Included in Valve Gasket Set-Ref. No. 1095.

Illustrations cover a range of engines. Parts shown without corresponding text may not be used on your specific engine.

