

# 40F700

## Illustrated Parts List

### Model Series

# 40F700

TYPE NUMBERS  
0100 through 0112.

### TABLE OF CONTENTS

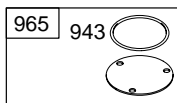
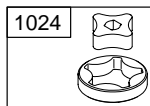
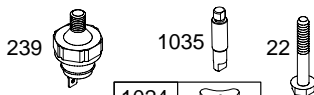
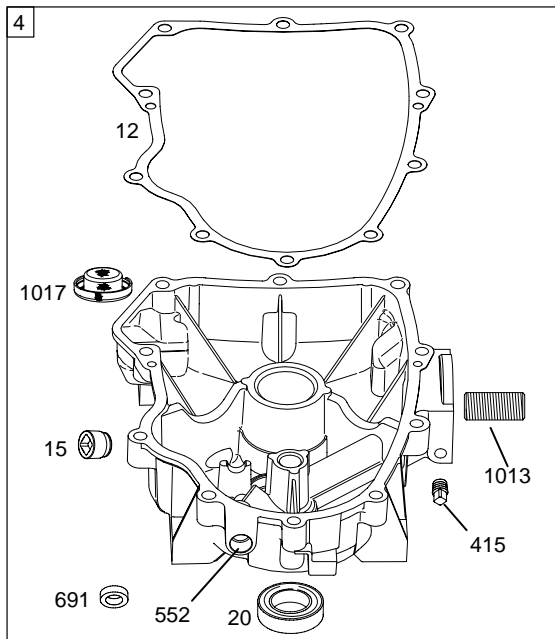
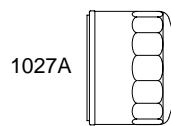
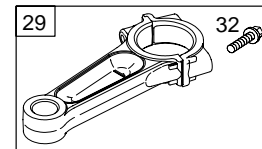
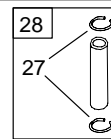
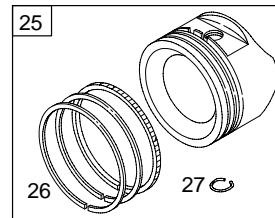
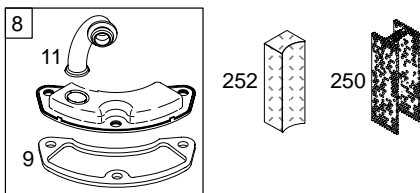
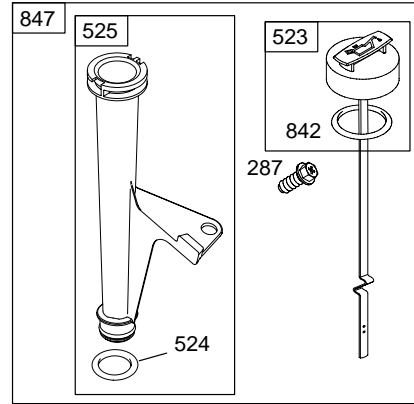
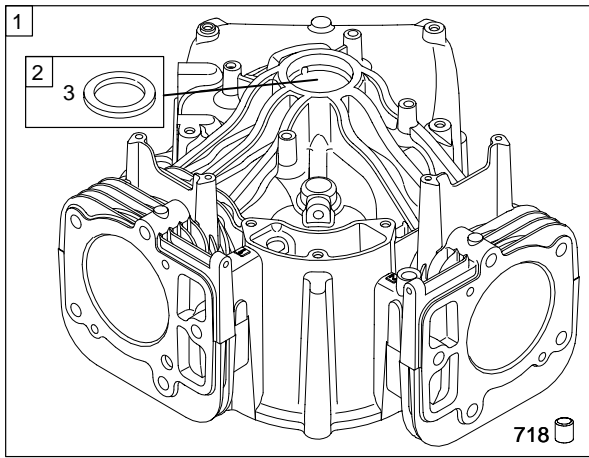
Air Cleaner .....	5
Alternators/Ignition .....	7
Blower Housing/Shrouds .....	5
Cam .....	3
Carburetor .....	4
Controls .....	6
Crankcase Cover/Sump .....	2
Crankshaft .....	2
Cylinder .....	2
Electric Starter .....	6
Flywheel .....	6
Head/Valves .....	3
Kit/Gasket Sets .....	4
Oil .....	2
Pistons .....	2



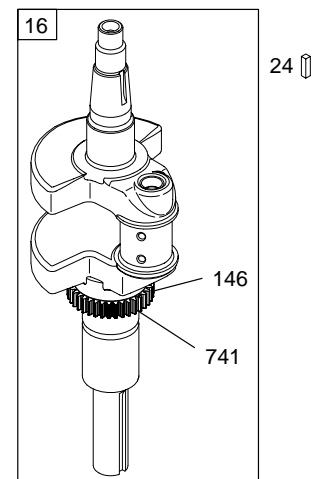
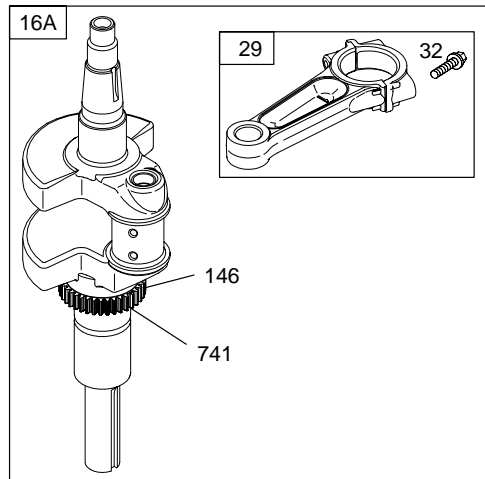
PRINTED IN U.S.A.

COPYRIGHT by BRIGGS & STRATTON CORPORATION  
All rights reserved. No part of this material may be reproduced or transmitted, in any form or by any means, electronic or mechanical, including photocopying, recording or by any information storage and retrieval system, without permission in writing from Briggs & Stratton Corporation.

# 40F700



750

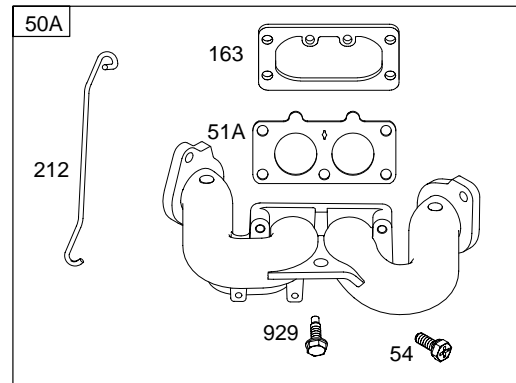
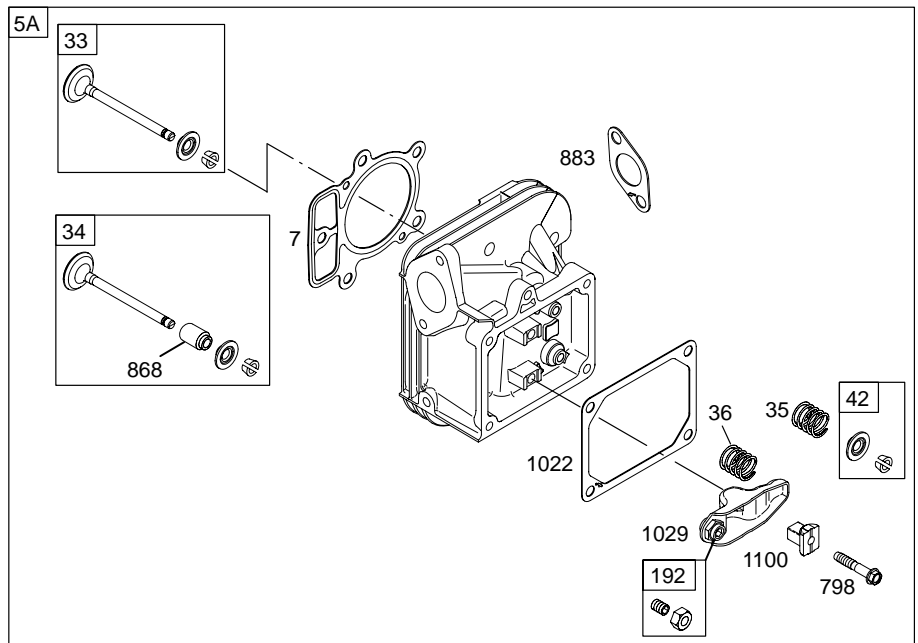
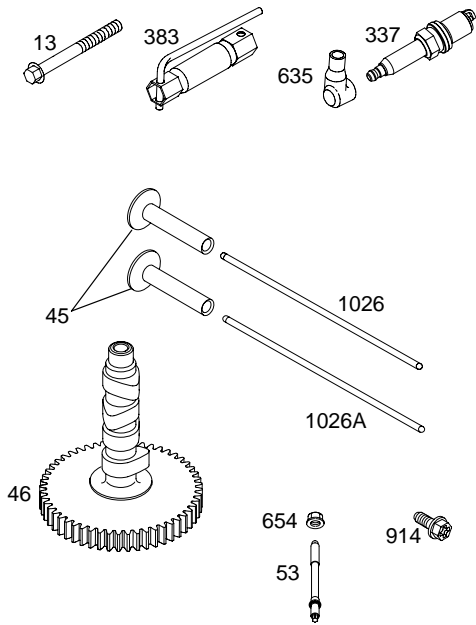
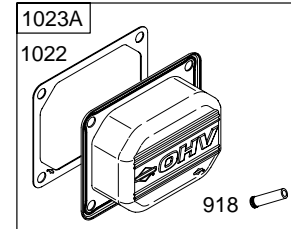
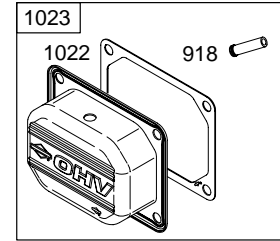
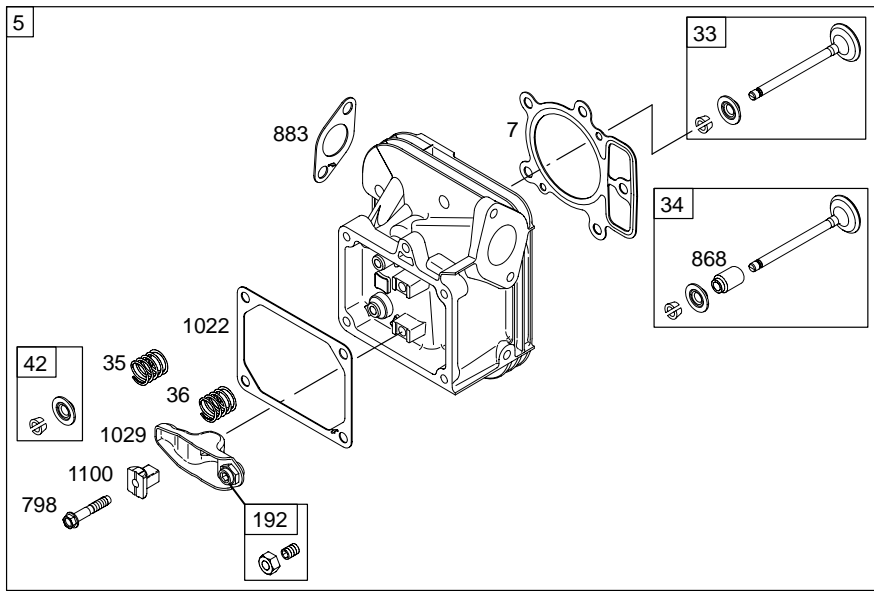


1019 LABEL KIT

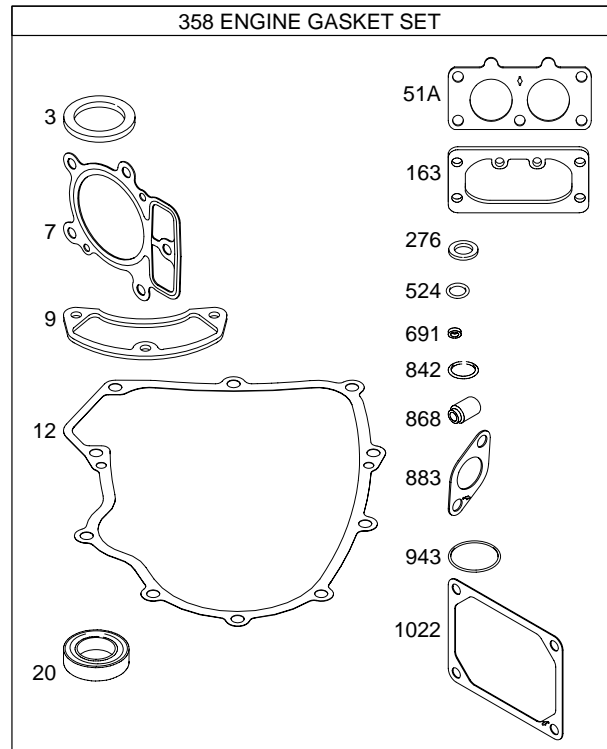
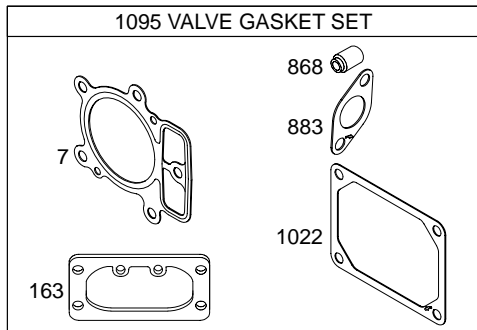
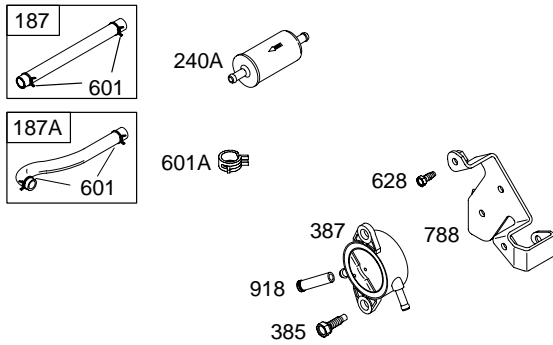
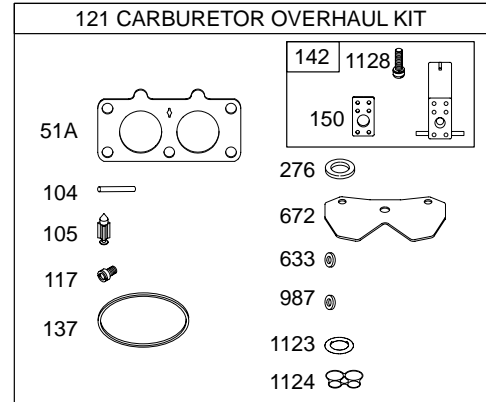
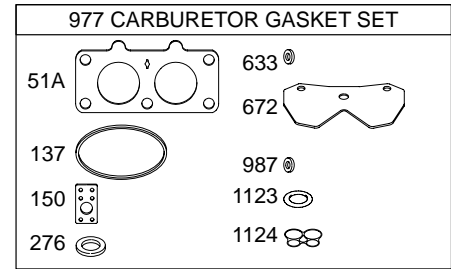
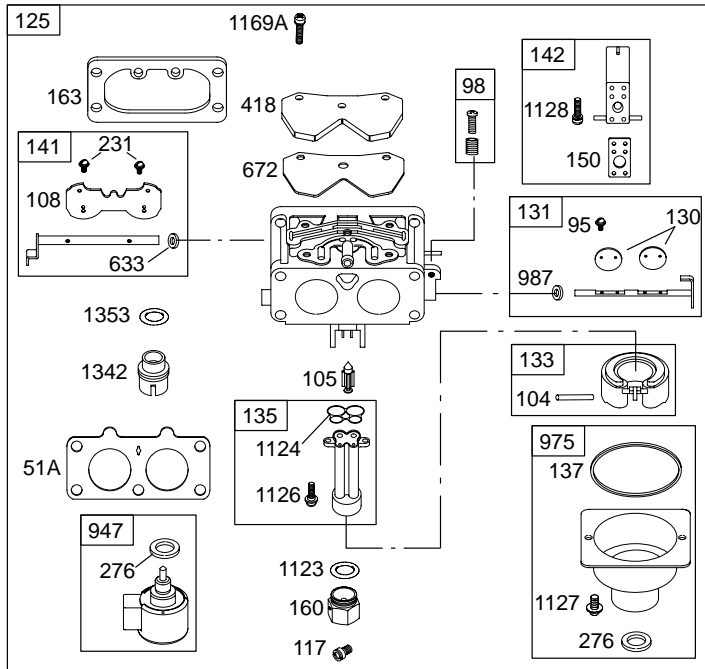
1058 OPERATOR'S MANUAL

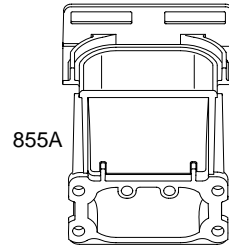
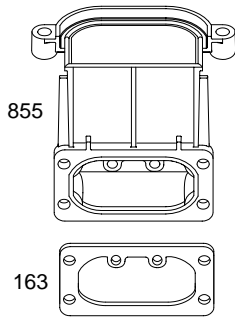
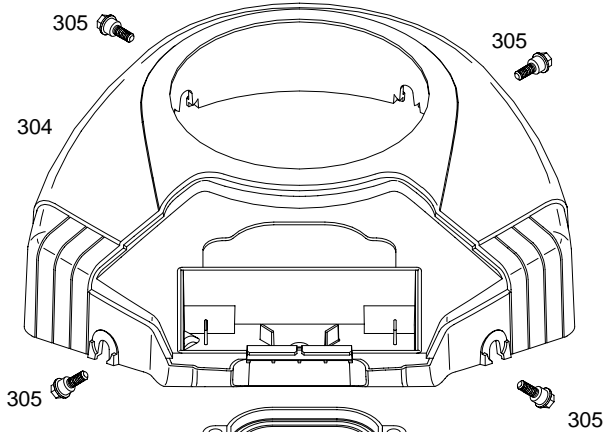
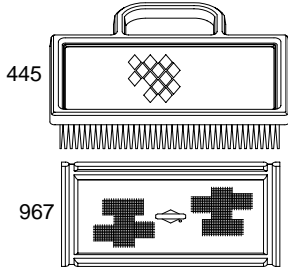
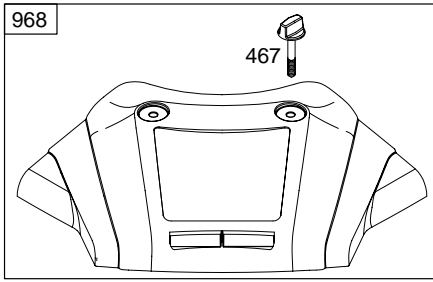
1330 REPAIR MANUAL

Illustrations cover a range of engines. Parts shown without corresponding text may not be used on your specific engine.  
 5572-2 Assemblies include all parts shown in frames. 6/12/2004

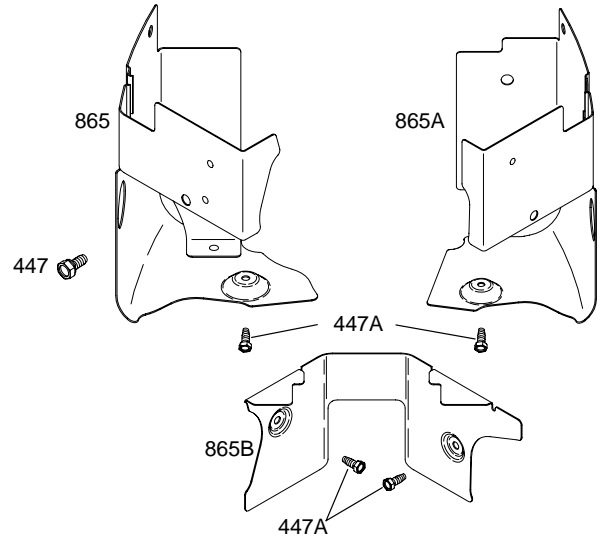
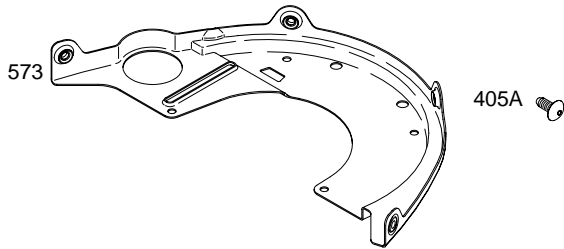
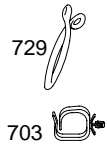


Illustrations cover a range of engines. Parts shown without corresponding text may not be used on your specific engine.  
 5572-3 Assemblies include all parts shown in frames. 6/12/2004



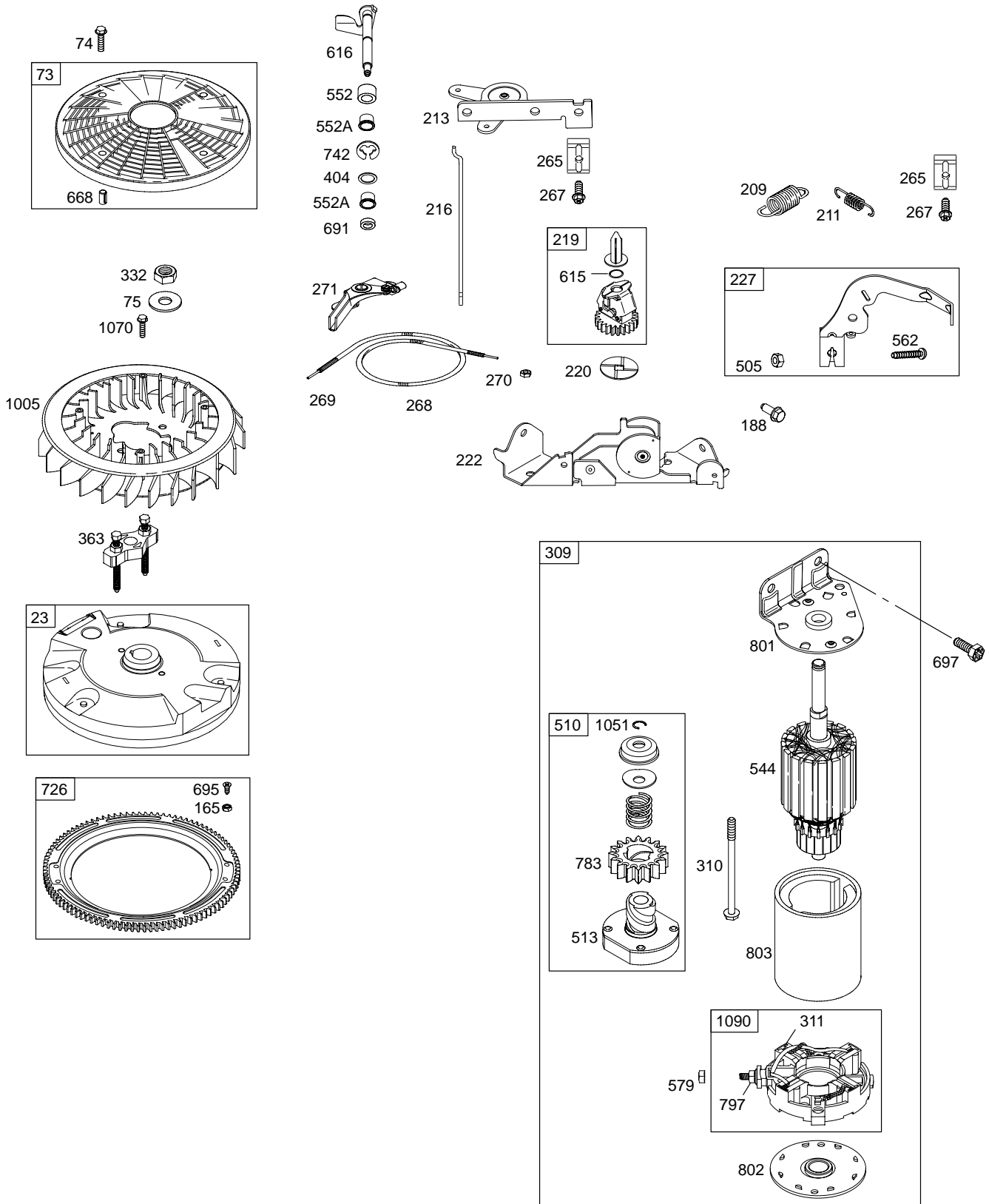


1036 EMISSIONS LABEL










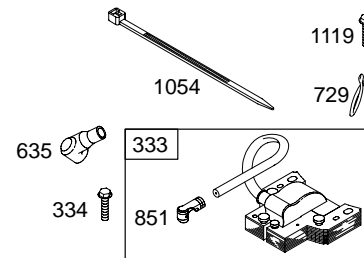
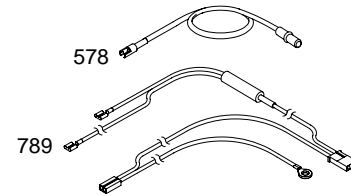
Illustrations cover a range of engines. Parts shown without corresponding text may not be used on your specific engine.  
5572-5 Assemblies include all parts shown in frames. 6/12/2004

# 40F700



Illustrations cover a range of engines. Parts shown without corresponding text may not be used on your specific engine.  
 5572-6 Assemblies include all parts shown in frames. 6/12/2004

DUAL CIRCUIT	10 – 16 AMP
<div style="border: 1px solid black; padding: 2px; width: fit-content; margin-bottom: 5px;">474B</div> <p>877</p> 	<div style="border: 1px solid black; padding: 2px; width: fit-content; margin-bottom: 5px;">474D</div> <div style="border: 1px solid black; padding: 2px; width: fit-content; margin-bottom: 5px;">1059</div> <p>877C</p> 
<p>878</p> 	<p>578</p> 
<p><b>NOTE:</b> All stators use a No. 1119 mounting screw. </p> <p><b>NOTE:</b> The proper flywheel part number and/or the alternator magnet size will determine the alternator type or output. See repair instruction manual for additional information.</p>	
<p>526 </p> <p>501 </p>	



Illustrations cover a range of engines. Parts shown without corresponding text may not be used on your specific engine.  
 5572-7 Assemblies include all parts shown in frames. 6/12/2004

# 40F700

REF. NO.	PART NO.	DESCRIPTION	REF. NO.	PART NO.	DESCRIPTION	REF. NO.	PART NO.	DESCRIPTION
1	699751	Cylinder Assembly (Used After Code Date 03082800). ———— <b>Note</b> ———— <b>690231</b> Cylinder Assembly (Used Before Code Date 03082900).	20	★690947	Seal–Oil (PTO Side)	29	699699	Rod–Connecting (Standard) (Used After Code Date 03122700). ———— <b>Note</b> ———— (For Replacement Connecting Rod, See Reference 16A) (Used Before Code Date 03122800).
2	499585	Kit–Bushing/Seal (Magneto Side)	22	694966	Screw (Crankcase Cover/Sump)			
3	★391086	Seal–Oil (Magneto Side)	23	691053	Flywheel ———— <b>Note</b> ———— <b>691054</b> Flywheel Used on Type No(s). 0100.			
4	699747	Sump–Engine (Used After Code Date 03082800). ———— <b>Note</b> ———— <b>690069</b> Sump–Engine (Used Before Code Date 03082900).	24	222698	Key–Flywheel			
5	697580	Head–Cylinder (Cylinder 1)	25	698429	Piston Assembly (Standard) ———— <b>Note</b> ———— <b>698433</b> Piston Assembly (.010" Oversize) <b>698434</b> Piston Assembly (.020" Oversize) <b>698435</b> Piston Assembly (.030" Oversize)	32	690976	Screw (Connecting Rod)
5A	697581	Head–Cylinder (Cylinder 2)				33	499596	Valve–Exhaust
7	★Δ690962	Gasket–Cylinder Head	26	698430	Ring Set (Standard) ———— <b>Note</b> ———— <b>698436</b> Ring Set (.010" Oversize) <b>698437</b> Ring Set (.020" Oversize) <b>698438</b> Ring Set (.030" Oversize)	34	697464	Valve–Intake
8	499601	Breather Assembly				35	690963	Spring–Valve (Intake)
9	★690937	Gasket–Breather				36	690963	Spring–Valve (Exhaust)
10	691108	Screw (Breather Assembly)				42	499586	Keeper–Valve
11	690942	Tube–Breather				45	690977	Tappet–Valve
12	★697227	Gasket–Crankcase				46	699748	Camshaft (Used After Code Date 03082800). ———— <b>Note</b> ———— <b>690978</b> Camshaft (Used Before Code Date 03082900).
13	690360	Screw (Cylinder Head)	27	690975	Lock–Piston Pin	50A	695241	Manifold–Intake (Plastic)
15	691680	Plug–Oil Drain (1/2" Square Flush)	28	690229	Pin–Piston (Standard)	51A	★♦♦690950	Gasket–Intake
16	699700	Crankshaft (Used After Code Date 03122700).						
16A	699701	Crankshaft (Includes Connecting Rod) (Used Before Code Date 03122800).						

★ Included in Engine Gasket Set–Ref. No. 358.

● Included in Carburetor Overhaul Kit–Ref. No. 121.

♦ Included in Carburetor Gasket Set–Ref. No. 977.

Δ Included in Valve Gasket Set–Ref. No. 1095.

**Illustrations cover a range of engines. Parts shown without corresponding text may not be used on your specific engine.**



# 40F700

REF. NO.	PART NO.	DESCRIPTION	REF. NO.	PART NO.	DESCRIPTION	REF. NO.	PART NO.	DESCRIPTION
53	690951	Stud (Carburetor)	192	690083	Adjuster-Rocker Arm	305	691005	Screw (Blower Housing)
54	695240	Screw (Intake Manifold)	209	698071	Spring-Governor (White)	309	497401	Motor-Starter
73	494439	Screen-Rotating	211	691019	Spring-Governed Idle	310	691263	Screw (Starter Motor)
74	698425	Screw (Rotating Screen)	212	695238	Link-Throttle (Used With Plastic Intake Manifold)	311	497608	Brush Set
75	691056	Washer (Flywheel)	213	691021	Bracket-Choke Control	332	691059	Nut (Flywheel)
95	690718	Screw (Throttle Valve)	216	691022	Link-Choke	333	691060	Armature-Magneto
98	499802	Kit-Idle Speed	219	698231	Gear-Governor	334	691061	Screw (Magneto Armature)
104	690984	Pin-Float Hinge	220	690412	Washer (Governor Gear)	337	491055	Plug-Spark
105	690985	Valve-Float Needle	222	698761	Bracket-Control	358	694012	Gasket Set-Engine
108	690986	Valve-Choke	227	691048	Lever-Governor Control	363	19203	Puller-Flywheel
117	690232	Jet-Main (Standard)	231	690718	Screw (Choke Valve)	383	19374	Wrench-Spark Plug
121	499811	Kit-Carburetor Overhaul	239	491657	Switch-Oil Pressure	385	691108	Screw (Fuel Pump)
125	499804	Carburetor	240A	695666	Filter-Fuel	387	808656	Pump-Fuel
130	690993	Valve-Throttle	250	690957	Retainer-Breather	404	690442	Washer (Governor Crank)
131	499805	Kit-Throttle Shaft	252	690956	Collector-Oil	405A	697820	Screw (Back Plate)(Mounting)
133	499806	Float-Carburetor	265	691024	Clamp-Casing	415	690283	Plug
135	499803	Tube-Fuel Transfer	267	691044	Screw (Casing Clamp) (Hex Head)	418	690999	Plate-Carburetor
137	690994	Gasket-Float Bowl	268	691025	Casing-Control Wire (Cut To Required Length)	445	698754	Filter-Air Cleaner Cartridge
141	499807	Kit-Choke Shaft	269	691026	Wire-Control (Cut To Required Length)	447	691003	Screw (Air Guide Cover)
142	499808	Nozzle-Carburetor (Standard)	270	691027	Nut (Control Wire Casing)	447A	691108	Screw (Air Guide Cover)
146	690979	Key-Timing	271	691028	Lever-Control	467	691008	Knob-Air Cleaner
150	690995	Gasket-Nozzle	276	690997	Washer-Sealing	474B	696459	Alternator
160	690996	Retainer-Solenoid	287	691108	Screw (Dipstick Tube)	474D	696458	Alternator (10-16 Amp Regulated) Used on Type No(s). 0111, 0112.
163	691001	Gasket-Air Cleaner	304	695277	Housing-Blower (Black)	501	691185	Regulator (10-16 Amp Regulated)
165	693148	Nut (Ring Gear)						
187	691050	Line-Fuel (Cut To Required Length)						
187A	691049	Line-Fuel (Molded)						
188	691108	Screw (Control Bracket)						

★ Included in Engine Gasket Set-Ref. No. 358.

● Included in Carburetor Overhaul Kit-Ref. No. 121.

◆ Included in Carburetor Gasket Set-Ref. No. 977.

△ Included in Valve Gasket Set-Ref. No. 1095.

**Illustrations cover a range of engines. Parts shown without corresponding text may not be used on your specific engine.**  
5572-9 Assemblies include all parts shown in frames. 6/12/2004

# 40F700

REF. NO.	PART NO.	DESCRIPTION	REF. NO.	PART NO.	DESCRIPTION	REF. NO.	PART NO.	DESCRIPTION
505	691029	Nut (Governor Control Lever)	691	★690657	Seal—Governor Shaft	877	393456	Wire/Connector—Alternator (Dual Circuit)
510	696541	Drive—Starter	695	693149	Screw (Ring Gear)	877C	399916	Wire/Connector—Alternator (10—16 Amp Regulated) Used on Type No(s). 0111, 0112.
513	692024	Clutch—Drive	697	690372	Screw (Drive Cap)			
523	691036	Dipstick	703	691010	Clip			
524	★691032	Seal—Dipstick Tube	718	690959	Pin—Locating			
525	691037	Tube—Dipstick	726	499612	Gear—Ring			
526	691108	Screw (Regulator) (16 Amp)(5/8" Long)	729	694123	Clip—Wire	878	691237	Harness—Alternator
544		Armature—Starter (Service With 497401 Starter Motor Only)	741	690980	Gear—Timing	883	★△690970	Gasket—Exhaust
552	690552	Bushing—Governor Crank	742	690328	Retainer—E Ring	914	691127	Screw (Rocker Cover)
552A	690553	Bushing—Governor Crank	750	691033	Screw (Oil Pump Cover)	918	694000	Hose—Vacuum
562	690311	Bolt (Governor Control Lever)	783	695708	Gear—Pinion	929	695239	Screw (Choke Control Bracket) (Used With Plastic Intake Manifold)
573	790444	Plate—Back	788	691039	Bracket—Fuel Pump	943	★690589	Seal—O Ring (Oil Pump Cover)
578	691208	Wire Assembly	789	691220	Harness—Wiring	947	499809	Solenoid—Fuel
579	691029	Nut (Starter Cable)	797	693167	Nut (Brush Retainer)	965	499613	Cover—Oil Pump
601	95162	Clamp—Hose	798	697890	Screw (Rocker Arm)	967	273638	Filter—Pre Cleaner
601A	691038	Clamp—Hose (Black)(Spring Steel)	801	691283	Cap—Drive	968	790095	Cover—Air Cleaner
615	698290	Retainer—Governor Shaft	802	691286	Cap—End	975	499810	Bowl—Float
616	691045	Crank—Governor	803		Housing—Starter (Service With 497401 Starter Motor Only)	977	499812	Gasket Set—Carburetor
628	691108	Screw (Fuel Pump Bracket)	842	★691031	Seal—O Ring (Dipstick Tube)	987	◆691000	Seal—Throttle Shaft
633	◆690998	Seal—Choke/Throttle Shaft	847	499602	Dipstick/Tube Assembly	1005	499603	Fan—Flywheel
635	66538	Boot—Spark Plug	851	493880	Terminal—Spark Plug	1013	690954	Nipple—Oil Filter
654	690958	Nut (Carburetor)	855	691011	Adapter—Air Cleaner	1017	690770	Screen—Oil Pump
668	691215	Spacer	855A	698072	Adapter—Air Cleaner			
672	◆690234	Gasket—Carburetor Plate	865	691012	Cover—Air Guide (Cylinder 1)			
			865A	691014	Cover—Air Guide (Cylinder 2)			
			865B	691015	Cover—Air Guide (Valley)			
			868	★△690968	Seal—Valve			

★ Included in Engine Gasket Set—Ref. No. 358.

● Included in Carburetor Overhaul Kit—Ref. No. 121.

◆ Included in Carburetor Gasket Set—Ref. No. 977.

△ Included in Valve Gasket Set—Ref. No. 1095.

**Illustrations cover a range of engines. Parts shown without corresponding text may not be used on your specific engine.**

# 40F700

REF. NO.	PART NO.	DESCRIPTION	REF. NO.	PART NO.	DESCRIPTION	REF. NO.	PART NO.	DESCRIPTION
1019	790094	Kit-Label	1059	698516	Kit-Screw/Washer	1127	690992	Screw (Float Bowl)
1022	★△690971	Gasket-Rocker Cover	1070	690372	Screw (Flywheel Fan)	1128	●690990	Screw (Carburetor Nozzle)
1023	499599	Cover-Rocker (Cylinder 1)	1090	691293	Retainer-Brush	1169A	693140	Screw (Carburetor Cover Plate)
1023A	499600	Cover-Rocker (Cylinder 2)	1095	694013	Gasket Set-Valve			
1024	499054	Pump-Oil	1100	690973	Pivot-Rocker Arm			
1026	690981	Rod-Push (Steel)	1119	691183	Screw (Alternator)	1330	273521	Repair Manual
1026A	690982	Rod-Push (Aluminum)	1123	◆690987	Seal-O Ring (Solenoid Retainer)	1342	699731	Extension-Fuel Transfer Tube
1027A	696854	Filter-Oil	1124	◆690988	Seal-O Ring (Fuel Transfer Tube)	1353	699725	Seal-O Ring (Fuel Transfer Tube Extension)
1029	690972	Arm-Rocker	1126	690991	Screw (Fuel Transfer Tube)			
1035	691042	Shaft-Pump						
1036	695704	Label-Emissions						
1051	691265	Ring-Retaining						
1054	280275	Tie-Cable						
1058	275475	Operator's Manual (Emission)						

★ Included in Engine Gasket Set-Ref. No. 358.

● Included in Carburetor Overhaul Kit-Ref. No. 121.

◆ Included in Carburetor Gasket Set-Ref. No. 977.

△ Included in Valve Gasket Set-Ref. No. 1095.

**Illustrations cover a range of engines. Parts shown without corresponding text may not be used on your specific engine.**  
**5572-11** Assemblies include all parts shown in frames. **6/12/2004**