

40G700

Illustrated Parts List

Model Series

40G700

TYPE NUMBERS
0100 through 0112.

TABLE OF CONTENTS

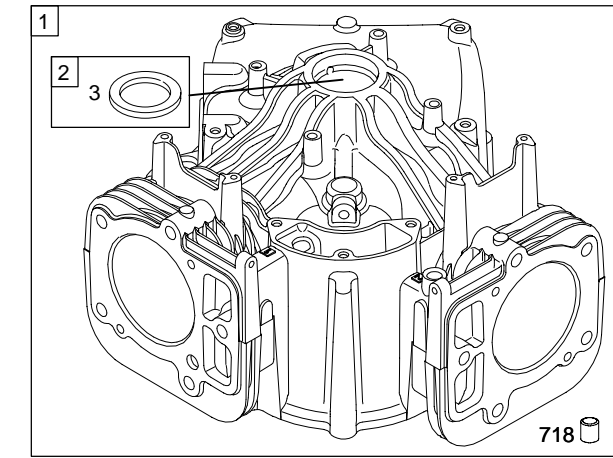
Air Cleaner	5
Alternators/Ignition	7
Blower Housing/Shrouds	5
Cam	3
Carburetor	4
Controls	6
Crankcase Cover/Sump	2
Crankshaft	2
Cylinder	2
Electric Starter	6
Flywheel	6
Head/Valves	3
Kit/Gasket Sets	4
Oil	2
Pistons	2



PRINTED IN U.S.A.

COPYRIGHT by BRIGGS & STRATTON CORPORATION
All rights reserved. No part of this material may be reproduced or transmitted, in any form or by any means, electronic or mechanical, including photocopying, recording or by any information storage and retrieval system, without permission in writing from Briggs & Stratton Corporation.

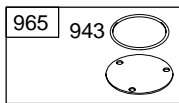
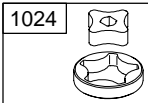
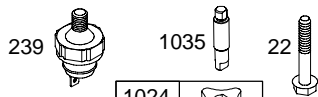
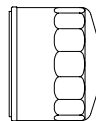
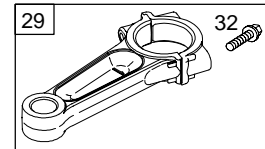
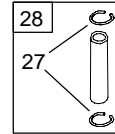
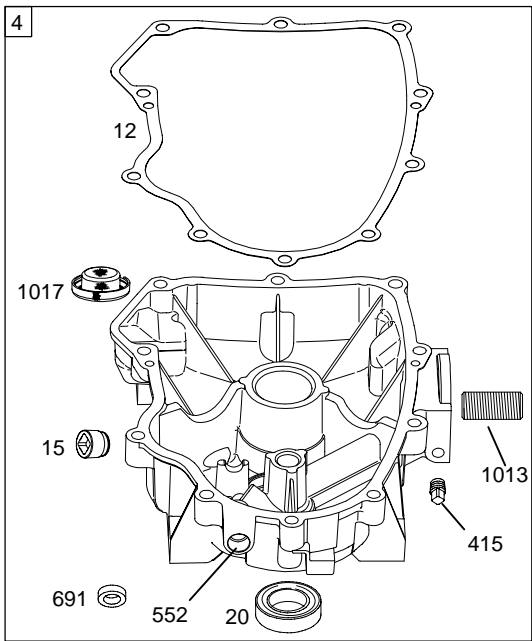
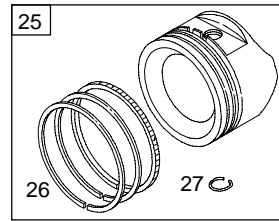
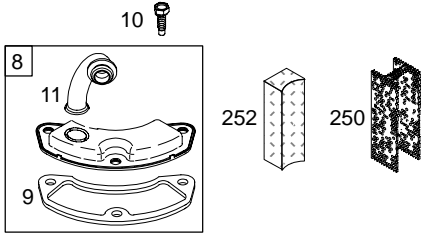
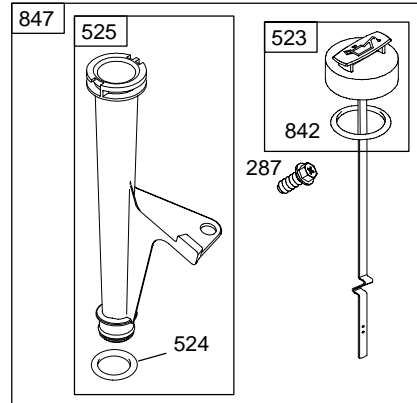
40G700



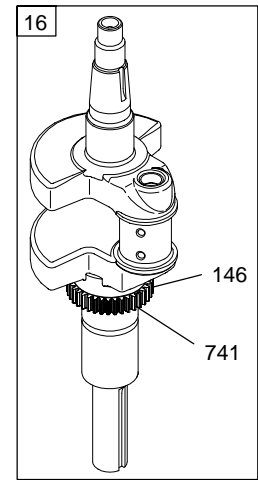
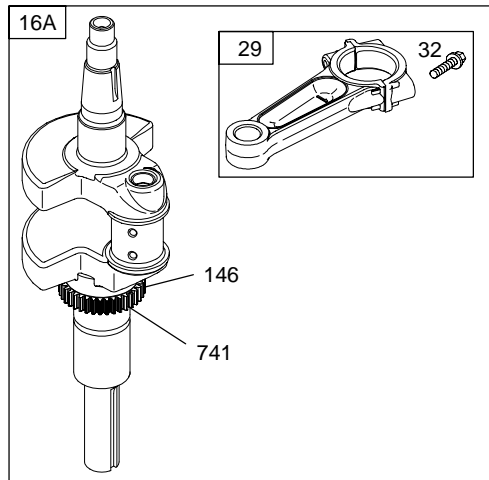
1019 LABEL KIT

1058 OPERATOR'S MANUAL

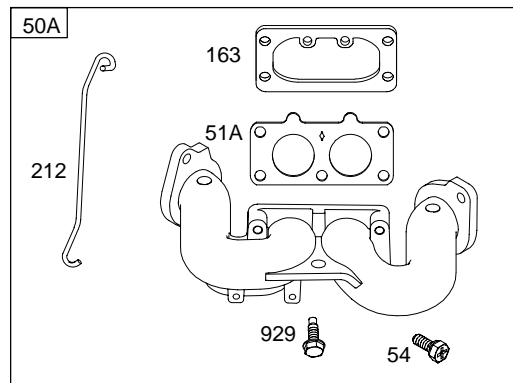
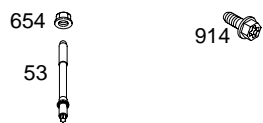
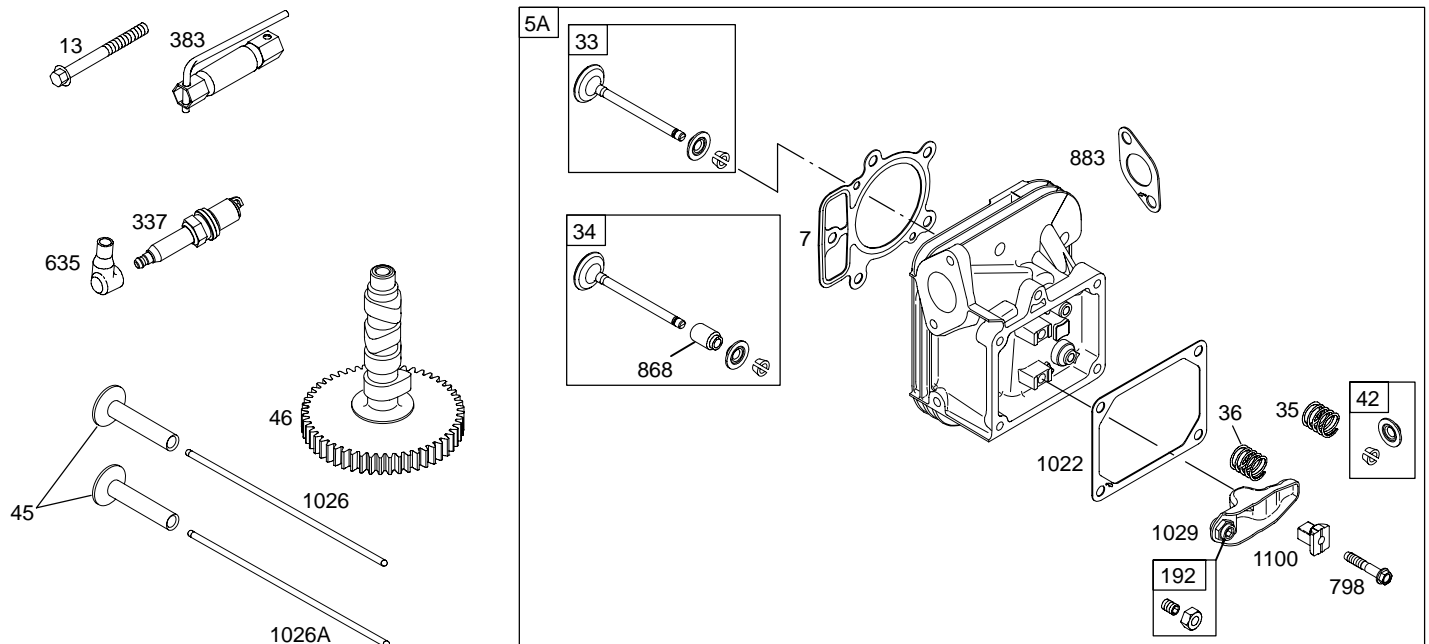
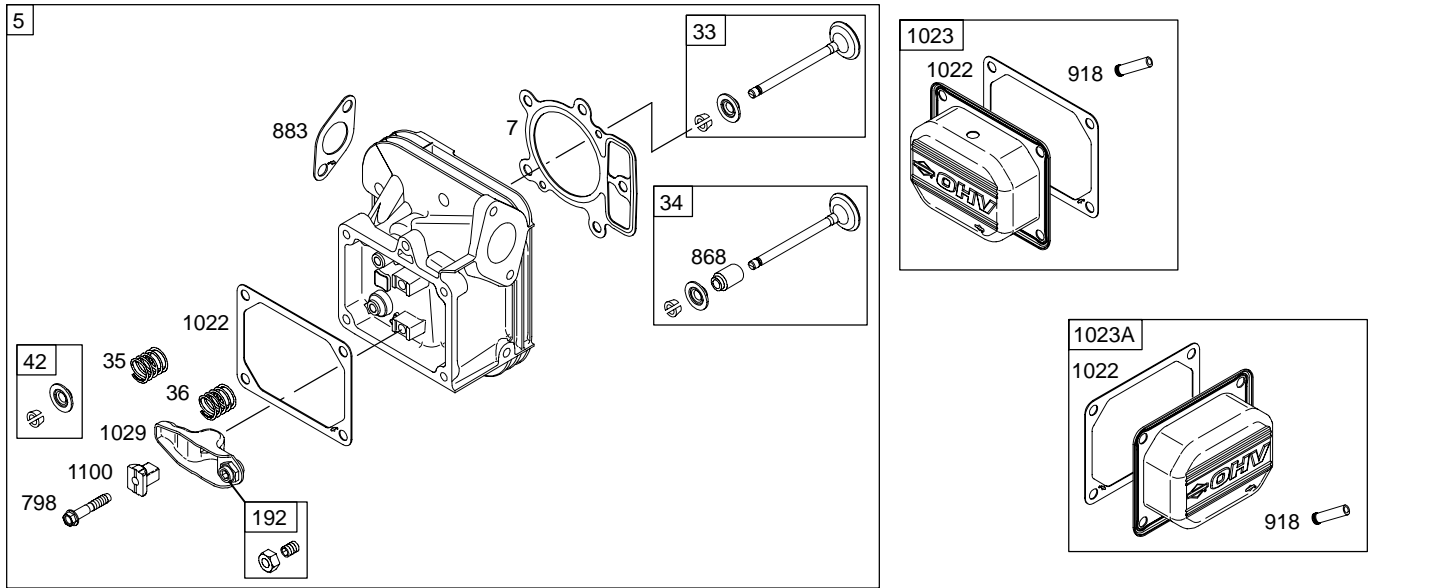
1330 REPAIR MANUAL

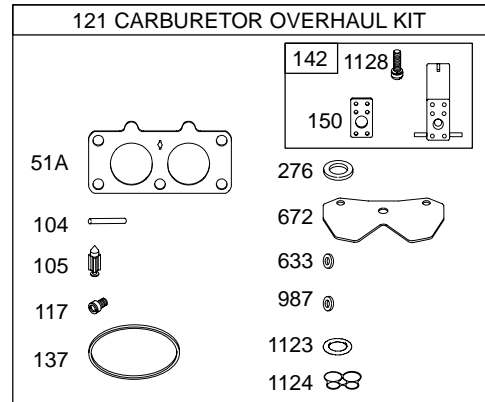
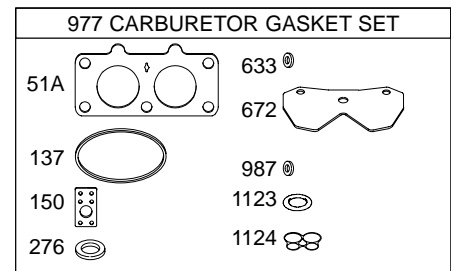
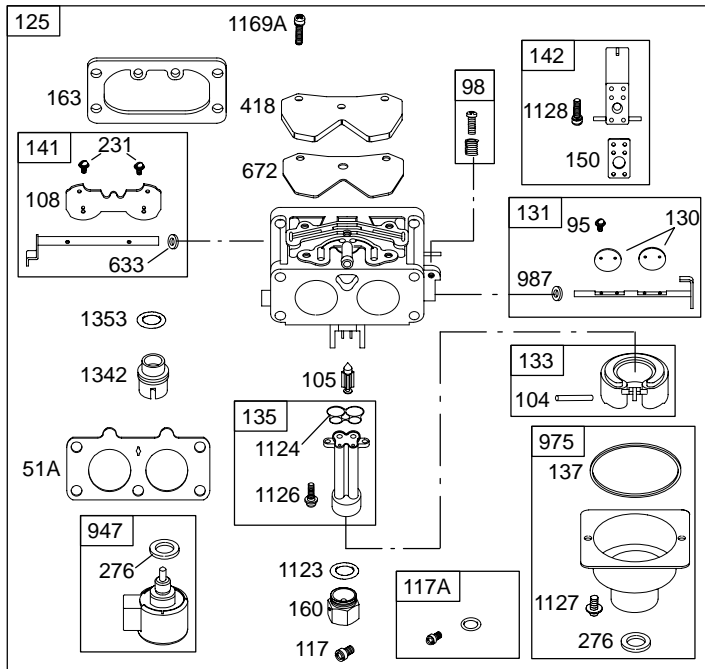


750

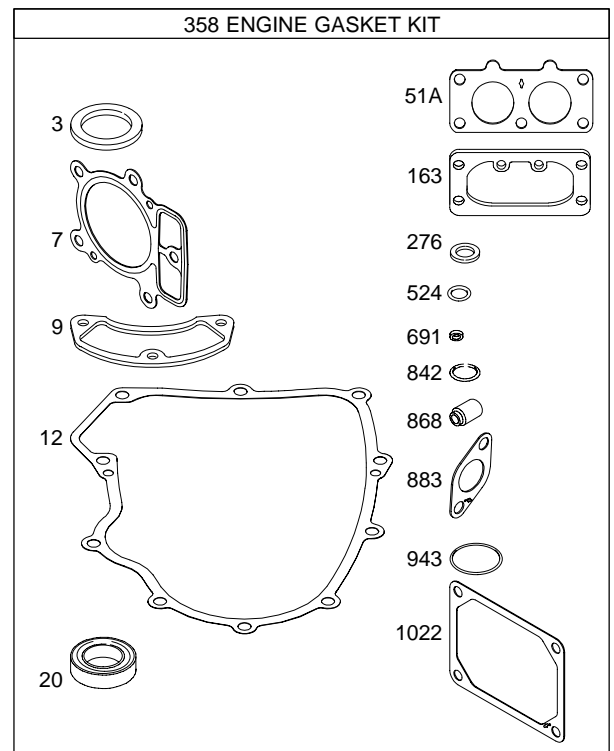
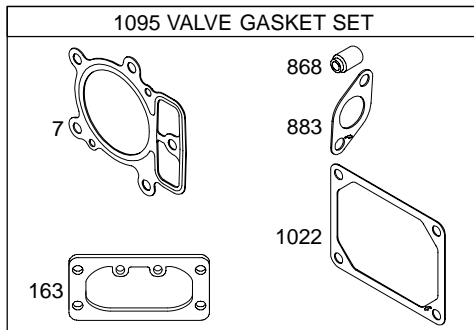
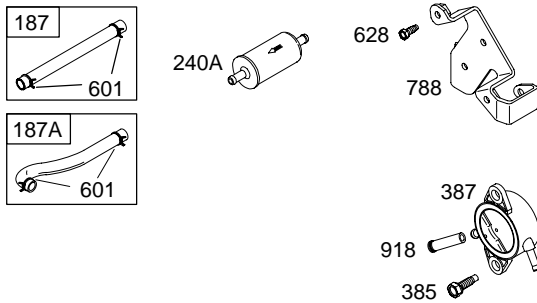


Illustrations cover a range of engines. Parts shown without corresponding text may not be used on your specific engine.
 5193-2 Assemblies include all parts shown in frames. 6/11/2004

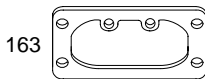
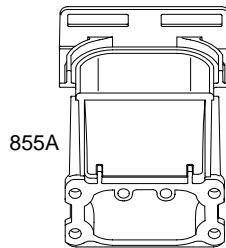
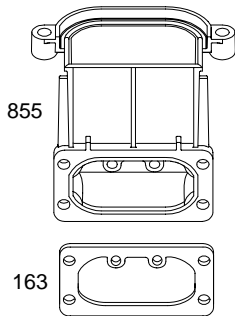
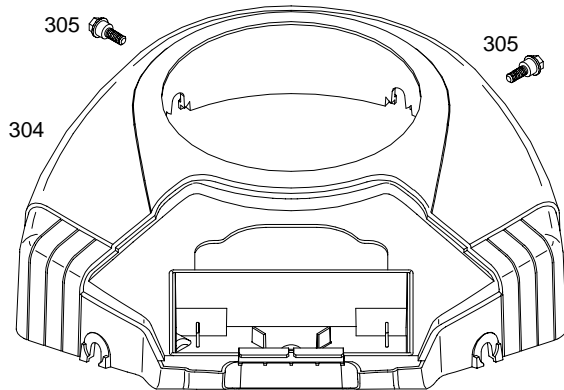
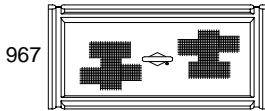
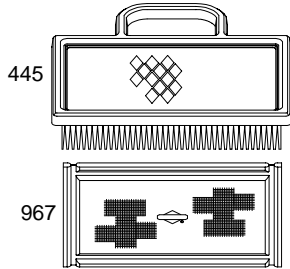
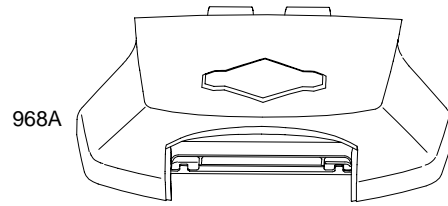
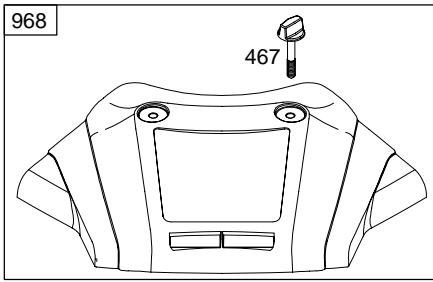




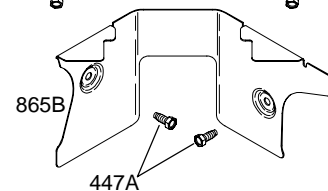
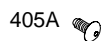
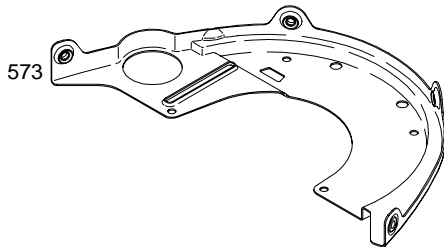
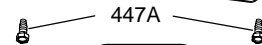
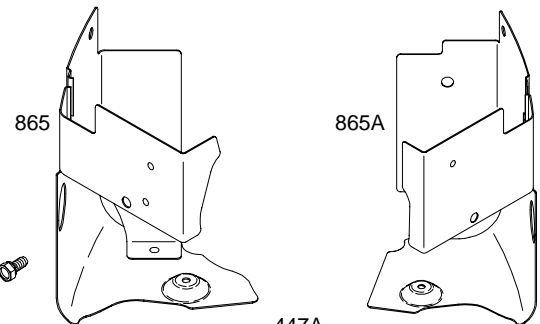
601A



Illustrations cover a range of engines. Parts shown without corresponding text may not be used on your specific engine.

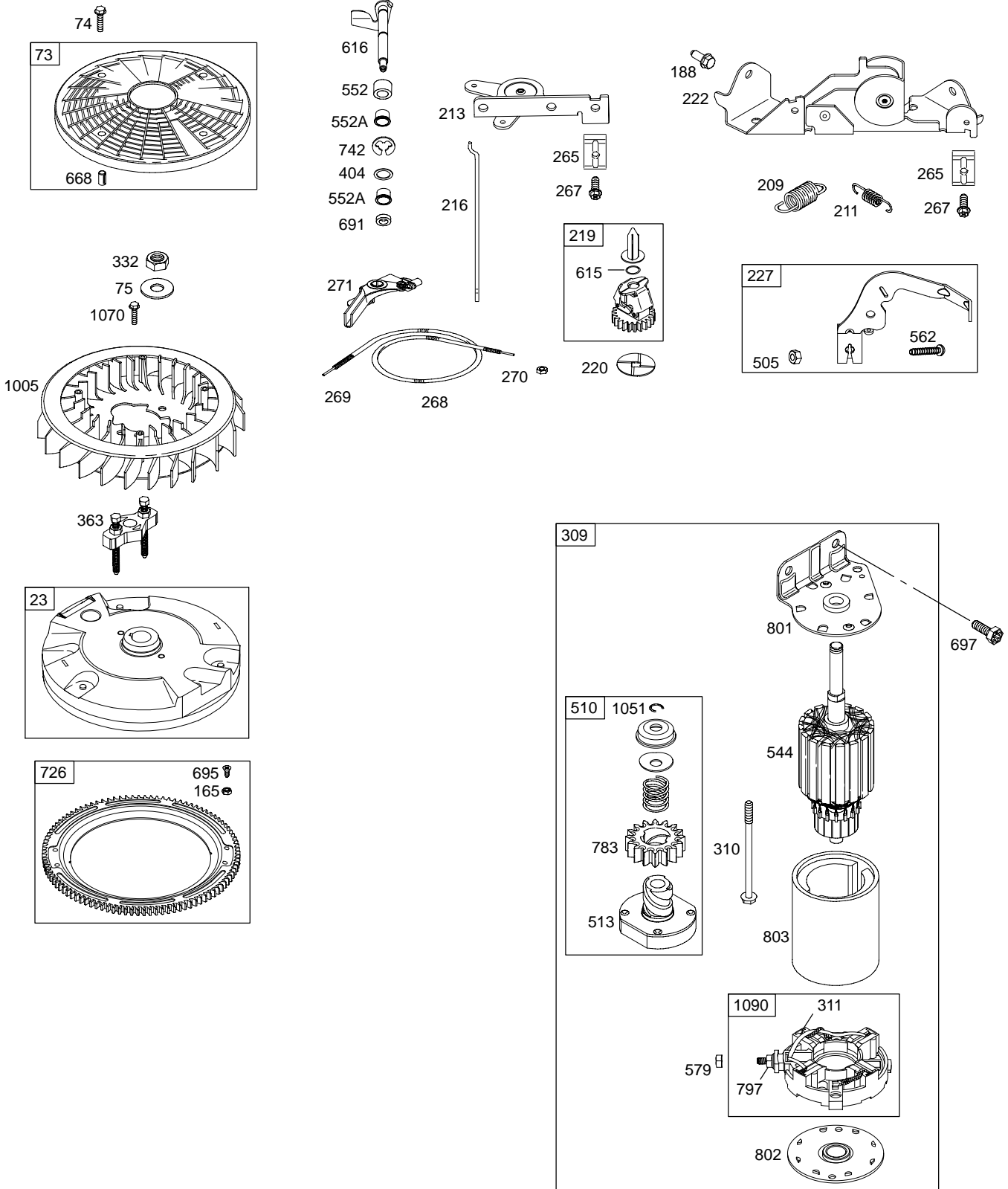


1036 EMISSION LABEL








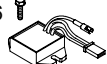


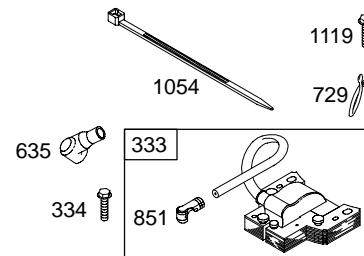
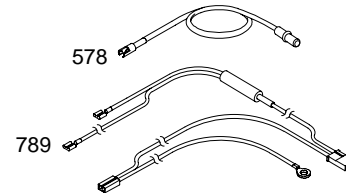
5193-5 Illustrations cover a range of engines. Parts shown without corresponding text may not be used on your specific engine. Assemblies include all parts shown in frames.

40G700



Illustrations cover a range of engines. Parts shown without corresponding text may not be used on your specific engine.
 5193-6 Assemblies include all parts shown in frames. 6/11/2004

DUAL CIRCUIT	10 AMP	16 AMP
<div style="border: 1px solid black; padding: 2px; width: fit-content; margin-bottom: 5px;">474B</div>  <p>877</p>	<div style="border: 1px solid black; padding: 2px; width: fit-content; margin-bottom: 5px;">474D</div> <div style="border: 1px solid black; padding: 2px; width: fit-content; margin-bottom: 5px;">1059</div>  <p>877C</p>	<div style="border: 1px solid black; padding: 2px; width: fit-content; margin-bottom: 5px;">474D</div> <div style="border: 1px solid black; padding: 2px; width: fit-content; margin-bottom: 5px;">1059</div>  <p>877C</p>
 <p>878</p>	 <p>578</p>	 <p>578</p>
<p>NOTE: All stators use a No. 1119 mounting screw. </p> <p>NOTE: The proper flywheel part number and/or the alternator magnet size will determine the alternator type or output. See repair instruction manual for additional information.</p>		<div style="border: 1px solid black; padding: 2px; width: fit-content; margin-bottom: 5px;">526</div> <div style="border: 1px solid black; padding: 2px; width: fit-content; margin-bottom: 5px;">501</div> 



Illustrations cover a range of engines. Parts shown without corresponding text may not be used on your specific engine.

40G700

REF. NO.	PART NO.	DESCRIPTION	REF. NO.	PART NO.	DESCRIPTION	REF. NO.	PART NO.	DESCRIPTION
1	699751	Cylinder Assembly (Used After Code Date 03082800). ———— Note ———— 690231 Cylinder Assembly (Used Before Code Date 03082900).	20	★690947	Seal—Oil (PTO Side)	32	690976	Screw (Connecting Rod)
2	499585	Kit—Bushing/Seal (Magneto Side)	22	694966	Screw (Crankcase Cover/Sump)	33	499596	Valve—Exhaust
3	★391086	Seal—Oil (Magneto Side)	23	691053	Flywheel ———— Note ———— 691054 Flywheel Used on Type No(s). 0100.	34	697464	Valve—Intake
4	699747	Sump—Engine (Used After Code Date 03082800). ———— Note ———— 690069 Sump—Engine (Used Before Code Date 03082900).	24	222698	Key—Flywheel	35	690963	Spring—Valve (Intake)
5	697580	Head—Cylinder (Cylinder 1)	25	499588	Piston Assembly (Standard) ———— Note ———— 499589 Piston Assembly (.010" Oversize) 499590 Piston Assembly (.020" Oversize) 499591 Piston Assembly (.030" Oversize)	36	690963	Spring—Valve (Exhaust)
5A	697581	Head—Cylinder (Cylinder 2)	26	499604	Ring Set (Standard) ———— Note ———— 499605 Ring Set (.010" Oversize) 499606 Ring Set (.020" Oversize) 499607 Ring Set (.030" Oversize)	42	499586	Keeper—Valve
7	★Δ690962	Gasket—Cylinder Head				45	690977	Tappet—Valve
8	499601	Breather Assembly				46	699748	Camshaft (Used After Code Date 03082800). ———— Note ———— 690978 Camshaft (Used Before Code Date 03082900).
9	★690937	Gasket—Breather				50A	695241	Manifold—Intake (Plastic)
10	691108	Screw (Breather Assembly)				51A★♦♦690950	690950	Gasket—Intake
11	690942	Tube—Breather				53	690951	Stud (Carburetor)
12	★697227	Gasket—Crankcase				54	695240	Screw (Intake Manifold) (Used With Plastic Intake Manifold)
13	690360	Screw (Cylinder Head)				73	494439	Screen—Rotating
15	691680	Plug—Oil Drain (1/2" Square Flush)	27	690975	Lock—Piston Pin			
16	699700	Crankshaft (Used Before Code Date 03122800).	28	690229	Pin—Piston (Standard)			
16A	699701	Crankshaft (Includes Connecting Rod) (Used After Code Date 03122700).	29	699699	Rod—Connecting (Standard) (Used After Code Date 03122700). ———— Note ———— (For Replacement Connecting Rod, See Reference 16A) 697253 Rod—Connecting (.020" Undersize)			

★ Included in Engine Gasket Set—Ref. No. 358.

● Included in Carburetor Overhaul Kit—Ref. No. 121.

♦ Included in Carburetor Gasket Set—Ref. No. 977.

Δ Included in Valve Gasket Set—Ref. No. 1095.

Illustrations cover a range of engines. Parts shown without corresponding text may not be used on your specific engine.

40G700

REF. NO.	PART NO.	DESCRIPTION	REF. NO.	PART NO.	DESCRIPTION	REF. NO.	PART NO.	DESCRIPTION
74	698425	Screw (Rotating Screen)	209	692909	Spring-Governor (Yellow)	265	691024	Clamp-Casing
75	691056	Washer (Flywheel)			Note	267	691044	Screw (Casing Clamp) (Hex Head)
95	690718	Screw (Throttle Valve)			697674 Spring-Governor (Brown)	268	691025	Casing-Control Wire
98	499802	Kit-Idle Speed			Used on Type No(s). 0110, 0112.	269	691026	Wire-Control (Cut To Required Length)
104	690984	Pin-Float Hinge			698071 Spring-Governor (White)	270	691027	Nut (Control Wire Casing)
105	690985	Valve-Float Needle			Used on Type No(s). 0100, 0101.	271	691028	Lever-Control
108	690986	Valve-Choke	211	691019	Spring-Governed Idle	276	690997	Washer-Sealing
117	690232	Jet-Main (Standard)	212	695238	Link-Throttle (Used With Plastic Intake Manifold)	287	691108	Screw (Dipstick Tube)
117A	699733	Jet-Main (Standard)	213	691021	Bracket-Choke Control	304	695277	Housing-Blower (Black)
121	499811	Kit-Carburetor Overhaul	216	691022	Link-Choke	305	691005	Screw (Blower Housing)
125	499804	Carburetor	219	698231	Gear-Governor	309	497401	Motor-Starter
130	690993	Valve-Throttle	220	690412	Washer (Governor Gear)	310	691263	Screw (Starter Motor)
131	499805	Kit-Throttle Shaft	222	698761	Bracket-Control	311	497608	Brush Set
133	499806	Float-Carburetor	227	691048	Lever-Governor Control	332	691059	Nut (Flywheel)
135	499803	Tube-Fuel Transfer	231	690718	Screw (Choke Valve)	333	691060	Armature-Magneto
137	690994	Gasket-Float Bowl	239	491657	Switch-Oil Pressure	334	691061	Screw (Magneto Armature)
141	499807	Kit-Choke Shaft	240A	695666	Filter-Fuel	337	491055	Plug-Spark
142	499808	Nozzle-Carburetor (Standard)	250	690957	Retainer-Breather	357	691483	Key-Drive Pulley
146	690979	Key-Timing	252	690956	Collector-Oil	358	694012	Gasket Set-Engine
150	690995	Gasket-Nozzle				363	19203	Puller-Flywheel
160	690996	Retainer-Solenoid				383	19374	Wrench-Spark Plug
163	691001	Gasket-Air Cleaner				385	691108	Screw (Fuel Pump)
165	693148	Nut (Ring Gear)				387	808656	Pump-Fuel
187	691050	Line-Fuel (Cut To Required Length)				404	690442	Washer (Governor Crank)
187A	691049	Line-Fuel (Molded)						
188	691108	Screw (Control Bracket)						
192	690083	Adjuster-Rocker Arm						

★ Included in Engine Gasket Set-Ref. No. 358.

● Included in Carburetor Overhaul Kit-Ref. No. 121.

◆ Included in Carburetor Gasket Set-Ref. No. 977.

△ Included in Valve Gasket Set-Ref. No. 1095.

Illustrations cover a range of engines. Parts shown without corresponding text may not be used on your specific engine.

40G700

REF. NO.	PART NO.	DESCRIPTION	REF. NO.	PART NO.	DESCRIPTION	REF. NO.	PART NO.	DESCRIPTION
405A	697820	Screw (Back Plate)(Mounting)	562	690311	Bolt (Governor Control Lever)	783	695708	Gear–Pinion
415	690283	Plug (Sump)	573	790444	Plate–Back	788	691039	Bracket–Fuel Pump
418	690999	Plate–Carburetor	578	691208	Wire Assembly	789	691220	Harness–Wiring
445	698754	Filter–Air Cleaner Cartridge	579	691029	Nut (Starter Cable)	797	693167	Nut (Brush Retainer)
447	691003	Screw (Air Guide Cover)	601	95162	Clamp–Hose (Zinc Plate) (Spring Wire)	798	697890	Screw (Rocker Arm)
447A	691108	Screw (Air Guide Cover)	601A	691038	Clamp–Hose (Black)(Spring Steel)	801	691283	Cap–Drive
467	691008	Knob–Air Cleaner	615	698290	Retainer–Governor Shaft	802	691286	Cap–End
474B	696459	Alternator (Dual Circuit)	616	691045	Crank–Governor	803		Housing–Starter (Service With 497401 Starter Motor Only)
474D	696458	Alternator (10–16 Amp Regulated) Used on Type No(s). 0110, 0111, 0112.	628	691108	Screw (Fuel Pump Bracket)	842	★691031	Seal–O Ring (Dipstick Tube)
501	691185	Regulator (10–16 Amp Regulated)	633	◆690998	Seal–Choke/Throttle Shaft	847	499602	Dipstick/Tube Assembly
505	691029	Nut (Governor Control Lever)	635	66538	Boot–Spark Plug	851	493880	Terminal–Spark Plug
510	696541	Drive–Starter	654	690958	Nut (Carburetor)	855	691011	Adapter–Air Cleaner
513	692024	Clutch–Drive	668	691215	Spacer	855A	698072	Adapter–Air Cleaner Used on Type No(s). 0100, 0101.
523	691036	Dipstick	672	◆690234	Gasket–Carburetor Plate	865	691012	Cover–Air Guide (Cylinder 1)
524	★691032	Seal–Dipstick Tube	691	★690657	Seal–Governor Shaft	865A	691014	Cover–Air Guide (Cylinder 2)
525	691037	Tube–Dipstick	695	693149	Screw (Ring Gear)	865B	691015	Cover–Air Guide (Valley)
526	691108	Screw (Regulator) (10–16 Amp Regulated)	697	690372	Screw (Drive Cap)	868	★△690968	Seal–Valve
544		Armature–Starter (Service With 497401 Starter Motor Only)	703	691010	Clip	877	393456	Wire/Connector– Alternator (Dual Circuit)
552	690552	Bushing–Governor Crank	718	690959	Pin–Locating	877C	399916	Wire/Connector– Alternator (10–16 Amp Regulated)
552A	690553	Bushing–Governor Crank	726	499612	Gear–Ring	878	691237	Harness–Alternator (Dual Circuit)
			729	694123	Clip–Wire	883	★△690970	Gasket–Exhaust
			741	690980	Gear–Timing	914	691127	Screw (Rocker Cover)
			742	690328	Retainer–E Ring			
			750	691033	Screw (Oil Pump Cover)			

★ Included in Engine Gasket Set–Ref. No. 358.

● Included in Carburetor Overhaul Kit–Ref. No. 121.

◆ Included in Carburetor Gasket Set–Ref. No. 977.

△ Included in Valve Gasket Set–Ref. No. 1095.

Illustrations cover a range of engines. Parts shown without corresponding text may not be used on your specific engine.

40G700

REF. NO.	PART NO.	DESCRIPTION	REF. NO.	PART NO.	DESCRIPTION	REF. NO.	PART NO.	DESCRIPTION
918	694000	Hose-Vacuum	1023A	499600	Cover-Rocker (Cylinder 2)	1123	◆◆690987	Seal-O Ring (Solenoid Retainer)
929	695239	Screw (Choke Control Bracket)	1024	499054	Pump-Oil	1124	◆◆690988	Seal-O Ring (Fuel Transfer Tube)
		(Used With Plastic Intake Manifold)	1026	690981	Rod-Push (Steel)	1126	690991	Screw (Fuel Transfer Tube)
943	★690589	Seal-O Ring (Oil Pump Cover)	1026A	690982	Rod-Push (Aluminum)	1127	690992	Screw (Float Bowl)
947	499809	Solenoid-Fuel	1027A	696854	Filter-Oil	1128	◆690990	Screw (Carburetor Nozzle)
965	499613	Cover-Oil Pump	1029	690972	Arm-Rocker	1169A	693140	Screw (Carburetor Cover Plate)
967	273638	Filter-Pre Cleaner	1035	691042	Shaft-Pump			
968	790095	Cover-Air Cleaner	1036	695704	Label-Emissions			
968A	698075	Cover-Air Cleaner Used on Type No(s). 0100, 0101, 0110.	1051	691265	Ring-Retaining			
			1054	280275	Tie-Cable			
			1058	275475	Operator's Manual (Emission)	1330	273521	Repair Manual
975	499810	Bowl-Float	1059	698516	Kit-Screw/Washer	1342	699731	Extension-Fuel Transfer Tube
977	499812	Gasket Set-Carburetor	1070	690372	Screw (Flywheel Fan)	1353	699725	Seal-O Ring (Fuel Transfer Tube Extension)
987	◆◆691000	Seal-Throttle Shaft	1090	691293	Retainer-Brush			
1005	499603	Fan-Flywheel	1095	694013	Gasket Set-Valve			
1013	690954	Nipple-Oil Filter	1100	690973	Pivot-Rocker Arm			
1017	690770	Screen-Oil Pump	1119	691183	Screw (Alternator)			
1019	790094	Kit-Label						
1022	★△690971	Gasket-Rocker Cover						
1023	499599	Cover-Rocker (Cylinder 1)						

★ Included in Engine Gasket Set-Ref. No. 358.

● Included in Carburetor Overhaul Kit-Ref. No. 121.

◆ Included in Carburetor Gasket Set-Ref. No. 977.

△ Included in Valve Gasket Set-Ref. No. 1095.

Illustrations cover a range of engines. Parts shown without corresponding text may not be used on your specific engine.

5193-11

Assemblies include all parts shown in frames.

6/11/2004