

421400 to 421499

Illustrated Parts List

Model Series 421400 to 421499

TYPE NUMBERS
0010 through 0022
0101 through 0146

TO FIND

THE CORRECT NUMBER OF THE PART YOU NEED:

FOLLOW THE INSTRUCTIONS BELOW

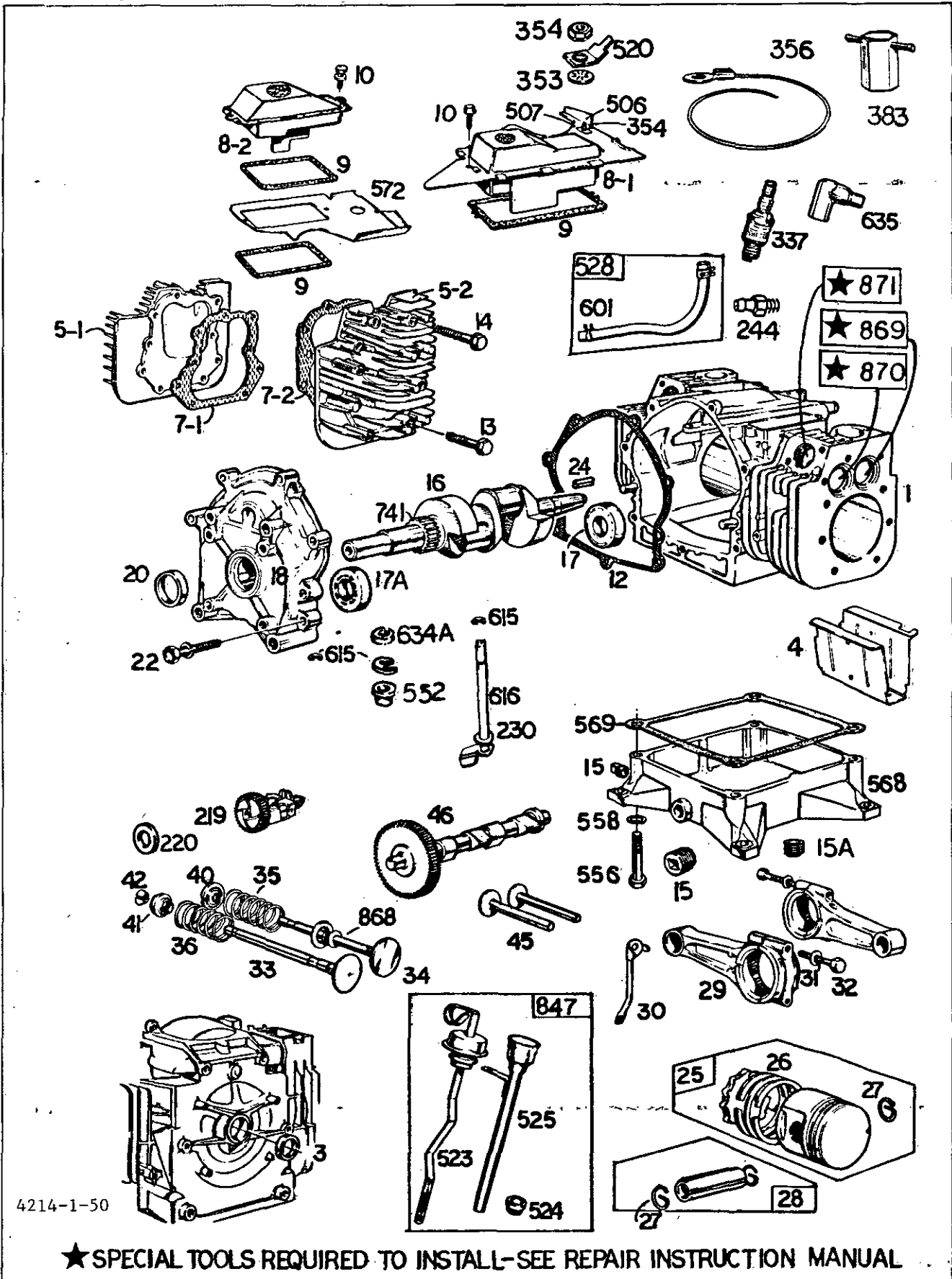
- A. Refer to Engine Model, Type and Code Number that is stamped on the blower housing of engine. Engine type numbers such as 012301 are listed herein only as 0123. The two digits (01 or 02, etc.) to the right of the space are not needed for parts identification. Then use the Illustrated Parts List covering the Model Series.
- B. Refer to Illustrated Parts section and compare the old part with illustration. The number on the illustration is the Reference Number. Assemblies include all parts shown in frames. All parts shown in assembly frames on which individual reference numbers are given can be purchased separately.
- C. After the Reference Number has been identified, refer to the Numerical Parts List, where Reference and Master Part Number are listed. **THE MASTER PART IS USED ON ALL TYPE NUMBERS EXCEPT THOSE TYPE NUMBERS UNDER "NOTE"**.
- D. If a "Note" appears below the Master Part Number, this means that this part differs from the Master Part for certain types. If the Type number is listed under "Note", order the part referred to.
- E. If the Engine Type Number does not appear after any part number listed under "Note", use the Master Part Number.
- F. For Type Numbers higher than those covered by this book, please refer to the factory if you are unable to identify the part by comparison.

PRINTED IN U.S.A.



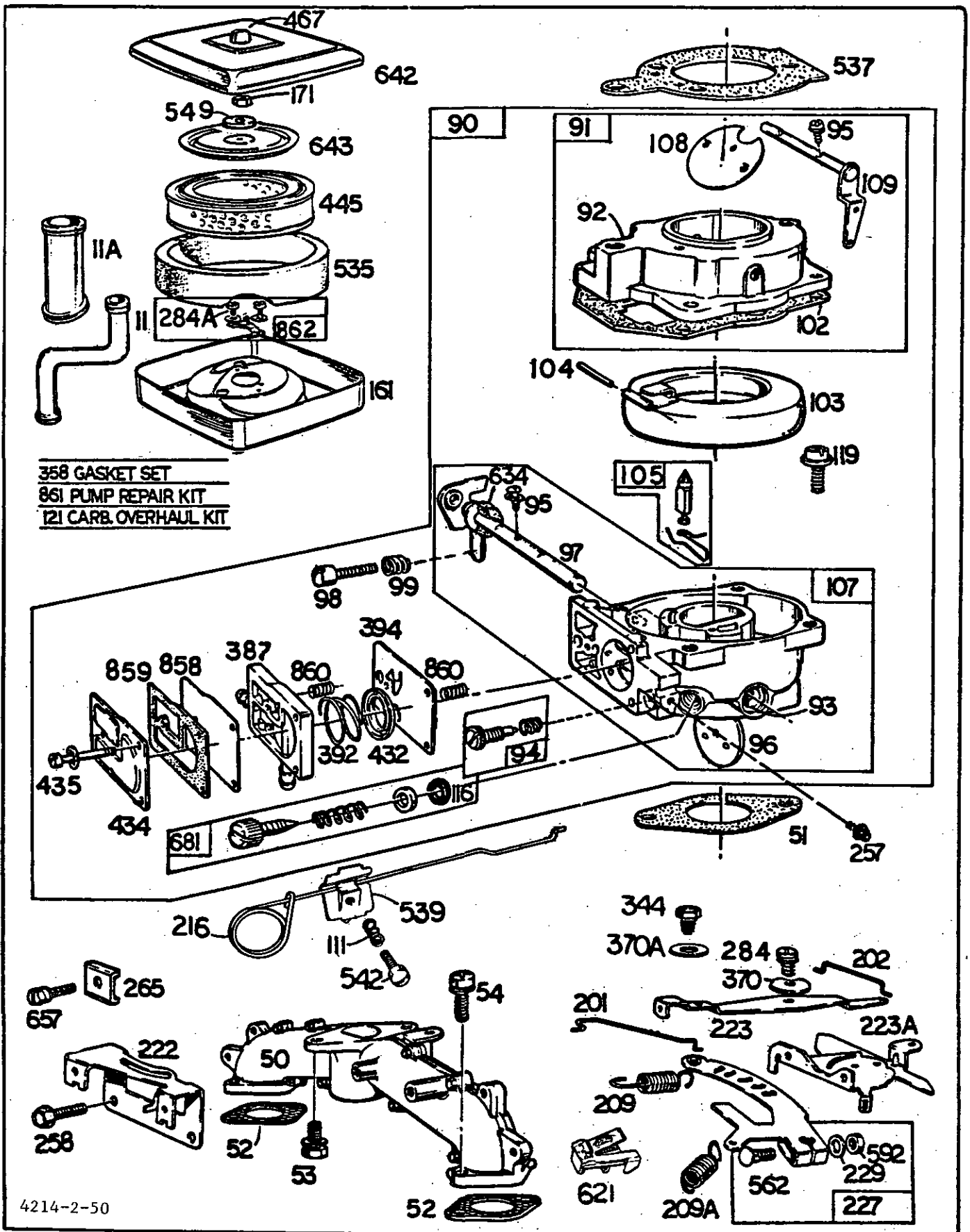
COPYRIGHT ©

421400 to 421499



★ SPECIAL TOOLS REQUIRED TO INSTALL-SEE REPAIR INSTRUCTION MANUAL

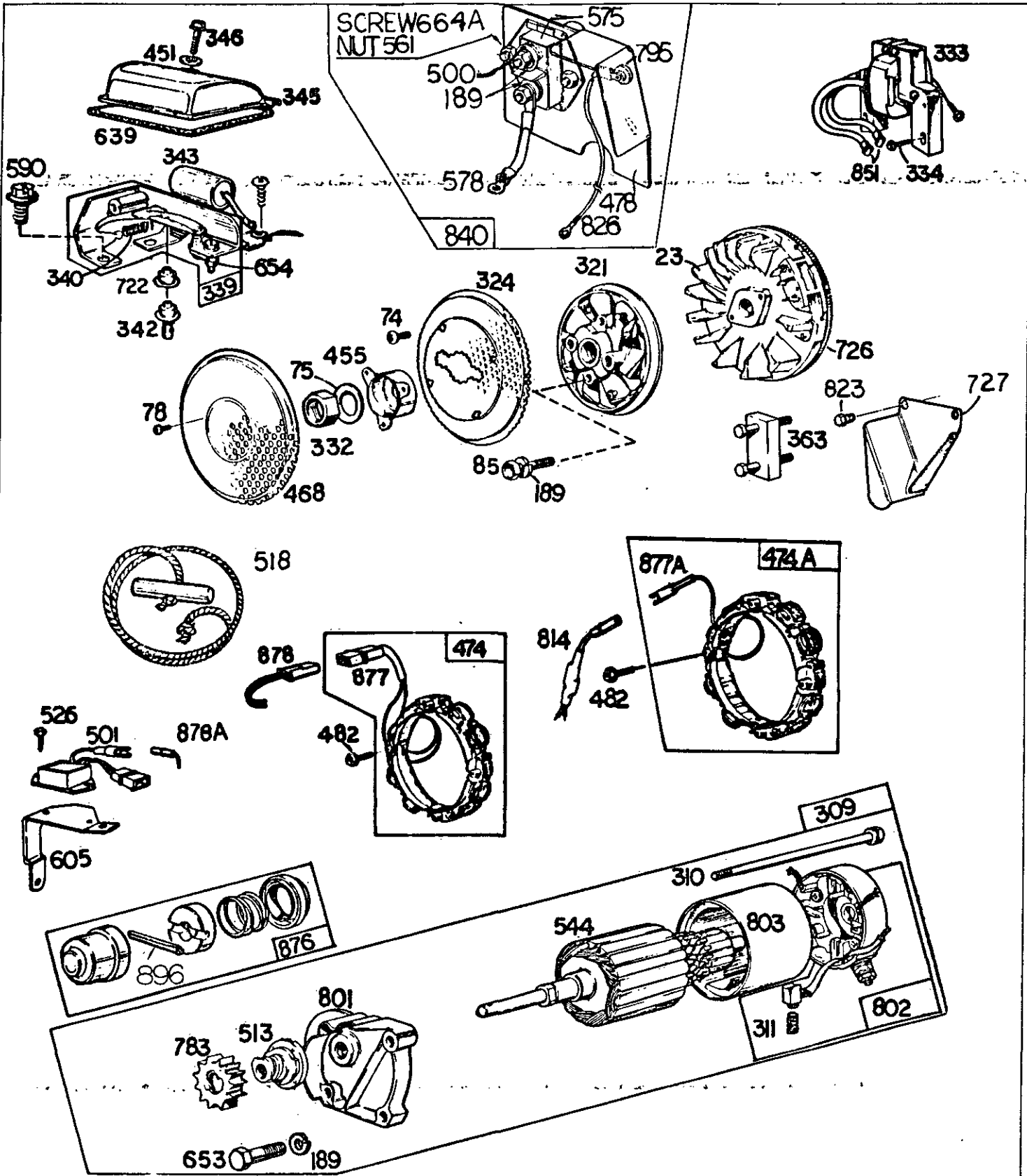
Assemblies include all parts shown in frames.



4214-2-50

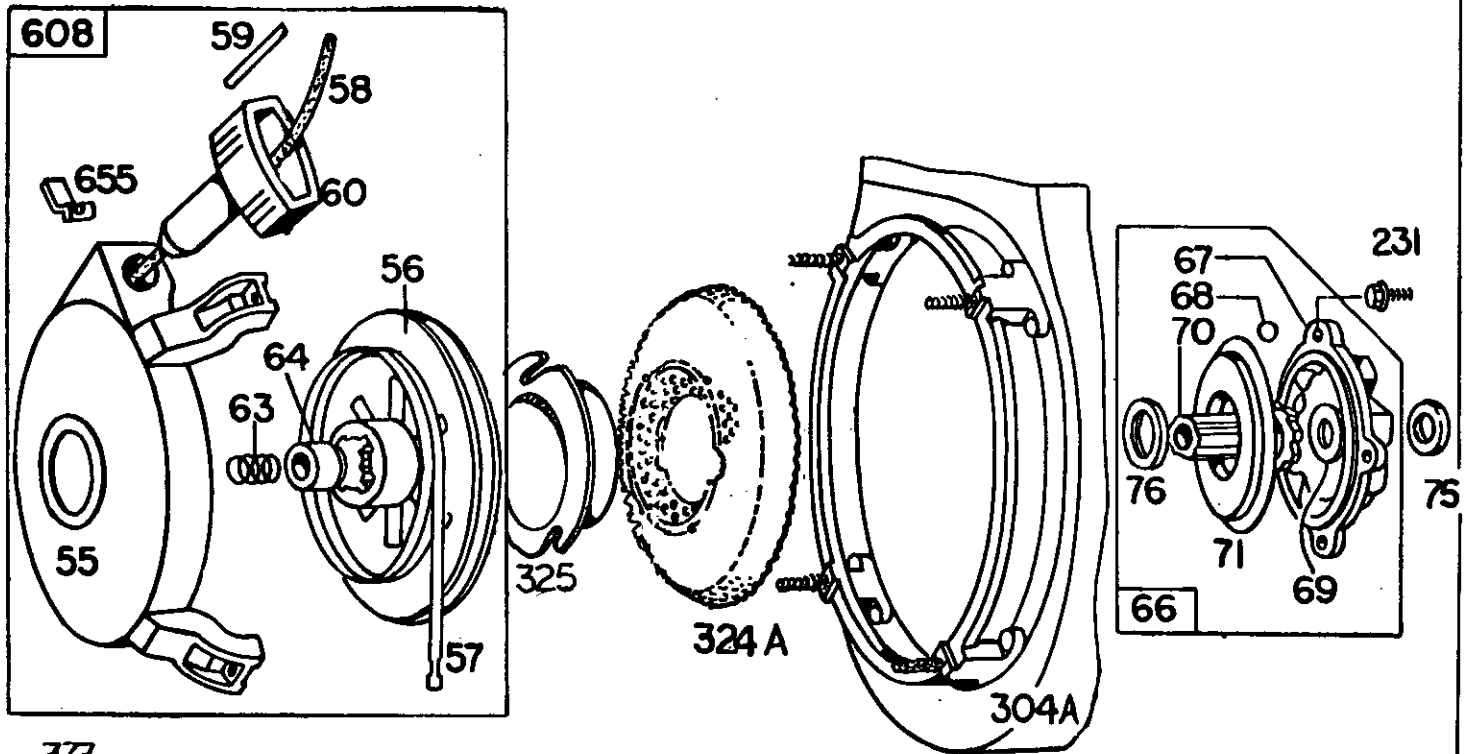
Assemblies include all parts shown in frames.

421400 to 421499



4214-3-50

Assemblies include all parts shown in frames.

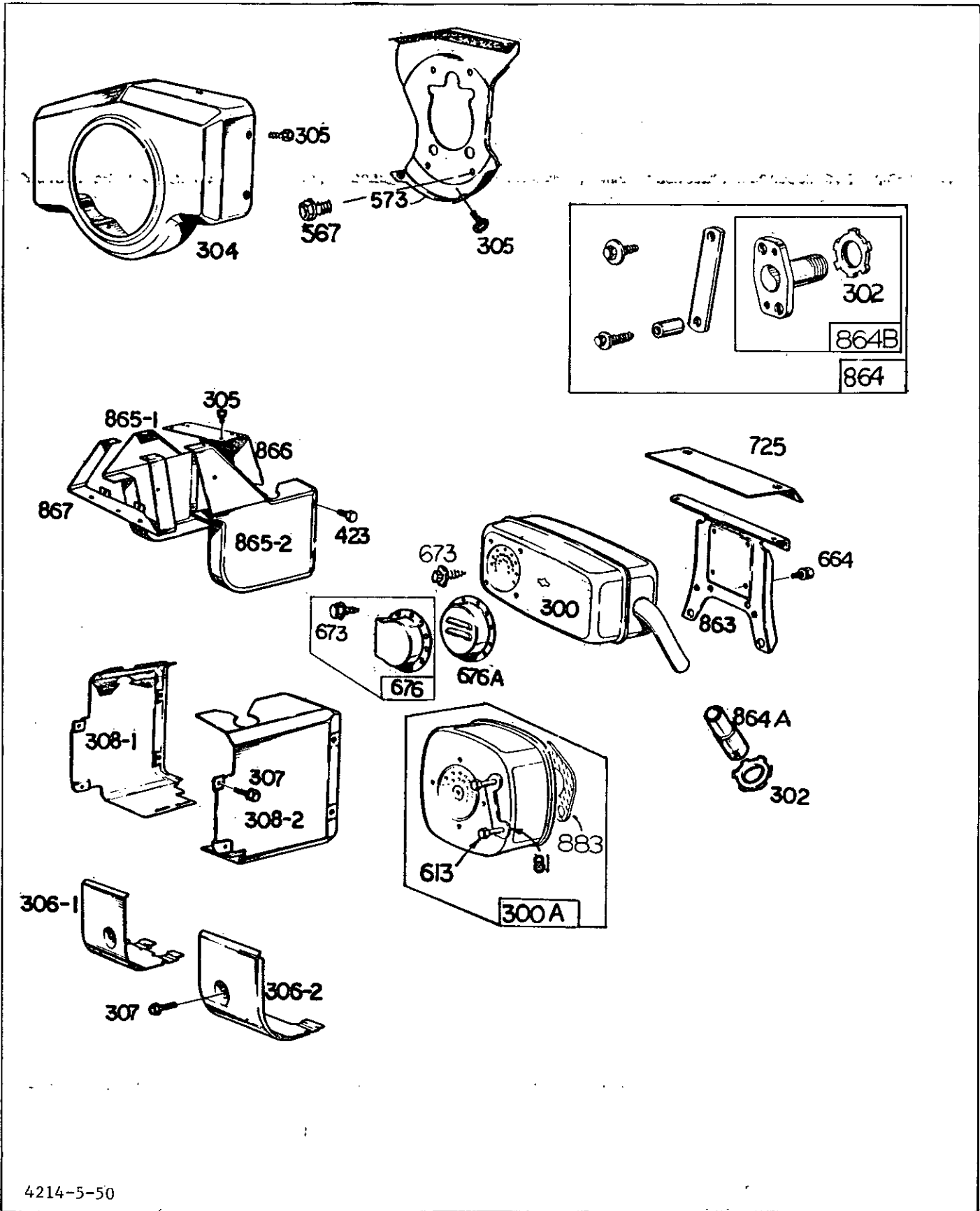


373
120

4214-4-50

Assemblies include all parts shown in frames.

421400 to 421499



Assemblies include all parts shown in frames.

REF. NO.	PART NO.	DESCRIPTION	REF. NO.	PART NO.	DESCRIPTION	REF. NO.	PART NO.	DESCRIPTION
1	394381	Cylinder Assembly		394097	Crankshaft	28	299691	Pin Assembly—
3	391086	Seal—Oil			Used on type Nos.			Piston—Standard
4	223055	Trough—Dipper			0010, 0011, 0012,	391286		Pin Assembly—
5-1	212461	Head—Cylinder # 1			0101, 0102, 0130,			Piston—.005" O. S.
5-2	212462	Head—Cylinder # 2			0132, 0143, 0146.	29	394306	Rod Assembly—
7-1*	270984	Gasket—Cylinder Head # 1	17	393980	Bearing—Ball			Connecting
7-2*	270983	Gasket—Cylinder Head # 2	17A	393741	Bearing—Ball (P. T. O. Side)	30	223053	Dipper—Connecting Rod
8-1	393243	Breather Assembly # 1	18	394309	Cover Assembly—Crankcase (Ball Brg.)	31	220863	Washer—
8-2	393153	Breather Assembly # 2	Note:	394535	Cover Assy.—Crankcase (Ball Brg.)	32	92909	Screw—Connecting Rod
9	*27803	Gasket—Valve Cover			Used on type Nos.	33	390420	Valve—Exhaust
10	93394	Screw—Sem			0015, 0016, 0138,	34	261528	Valve—Intake
11	280185	Tube—Breather			0139, 0140.			Uses:
11A	280198	Tube—Intake			394420			393606 Seal Assy. and Retainer (Ref. No. 868)
12	*270982	Gasket—Crankcase Cover—1/64" thick			Used on type Nos.	35	65906	Spring—Intake Valve
	*271145	Gasket—Crankcase Cover—.005" thick			0010, 0011, 0012,	36	26828	Spring—Exhaust Valve
	*271146	Gasket—Crankcase Cover—.009" thick			0101, 0102, 0130,	40	221596	Retainer—Intake Valve
13	93111	Screw—Cylinder Head (1-15/16" long)	20	291675	Seal—Oil	41	292260	Rotocoil—Exhaust Valve
Note:		93772 Stud—Cylinder Head	22	93847	Screw—Crankcase Cover Mtg. Sem	42	93630	Retainer—Exhaust Valve Rotocoil (2)
		22963 Washer Used on type No. 0143.	23	392956	Flywheel and Ring Gear Assy.—Magneto	45	261368	Tappet—Valve
			Note:	393480	Flywheel and Ring Gear Assy.—Magneto	46	212415	Gear—Cam
14	93113	Screw—Cylinder Head (2-5/16" long)			Used on type Nos.	50	392970	Manifold Assy.—Intake
Note:		93583 Stud—Cylinder Head			0011, 0012, 0016,	51 †	*271412	Gasket—Carb. Mtg.
		22963 Washer Used on type No. 0143.	24	61760	Key—Flywheel	52	*270884	Gasket—Intake Manifold Mtg.
15	91084	Plug—Oil Drain	25	393271	Piston Assembly—Standard	53	93415	Screw—Carburetor Mtg. Sem
15A	93448	Plug—Hex. Socket			393343			Screw—Intake Manifold Mtg. Sem
16	394430	Crankshaft			393344			Housing—Rewind Starter
Note:		394101 Crankshaft Used on type No. 0111.			393345			Pulley—Rewind Starter Includes 63" Rope
		394106 Crankshaft Used on type No. 0112.						Note: If longer Rope is required, order Rope No. 66894 and cut to length.
		394108 Crankshaft Used on type No. 0113.						57 294303 Spring—Rewind Starter
		394382 Crankshaft Used on type No. 0022, 0117, 0139.						58 66884 Rope—63" for use with Plastic Pulley
		394384 Crankshaft Used on type Nos. 0021, 0118.						Note: If longer Rope is required, order Rope No. 66894 and cut to length.
								59 230228 Pin—Starter Grip
								60 66728 Grip—Starter Rope
								† Included in Carburetor Overhaul Kit—Part No. 394502.

* Included in Gasket Set—Part No. 394501.

REF. NO.	PART NO.	DESCRIPTION	REF. NO.	PART NO.	DESCRIPTION	REF. NO.	PART NO.	DESCRIPTION
63	260414	Spring—Ratchet	121	394502	Carburetor Overhaul Kit			212418 Fan—Booster Used on type No. 0138.
64	231118	Adapter—Ratchet Spring	161	222752	Body—Air Cleaner			0138.
66	393127	Clutch Assembly—Rewind Starter	171	93715	Nut—Hex.	324	222872	Screen—Rotating
67	261455	Housing—Rewind Starter	189	90366	Lockwasher		Note:	222856 Screen—Stationary
68	63770	Ball—Clutch	201	261444	Link—Governor			222876 Bracket—Screen Used on type No. 0132.
69	66718	Washer—Starter Clutch Thrust	202	261531	Link—Speed Control			223008 Screen—Rotating Used on type No. 0138.
70	298799	Ratchet—Rewind Starter Clutch	209	261446	Spring—Governor			222997 Support—Pulley
71	221653	Washer—Retainer	209A	261563	Spring—Governed Idle	324A	222301	Screen—Rotating Uses: 222997 Support—Pulley
74	93808	Screw—Sem	216	261511	Rod—Manual Choke			231226 Spacer (Clutch)
75	222511	Washer—Spring	219	394348	Gear—Governor			222995 Pulley—Rope Starter
76	68238	Seal—Ratchet Sealing	220	222773	Washer—Thrust	332	230674	Nut—Hex. Note: 231247 Nut—Jam Used on type No. 0138.
78	93805	Screw—Sem	222	222807	Bracket—Speed Control			392329 Armature Assembly
81	223016	Lock—Muffler Screw	223	222828	Lever—Speed Control	334	93381	Screw—Armature Mtg. Sem
85	92674	Screw—Hex. Hd.	223A	394324	Plate Assembly—Governor Control	337	394539	Plug—Spark (2-3/8" High) (Resistor) Note: Spark Plugs use Ignition Cable Terminal No. 221798.
90	394338	Carburetor Assembly (Remote Choke)	227	393846	Lever Assy.—Governor			393403 Breaker Assy.—Ignition
91	393297	Body Assembly—Upper Carburetor	229	222289	Washer	340	26018	Spring—Breaker Arm
92	394505	Body—Upper Carb.	230	220863	Washer—Gov. Crank (inside)	342	393598	Plunger—Breaker Point
93	231209	Bushing—Throttle Shaft	231	93064	Screw—Sem	343	392912	Condenser
94	†292681	Valve Assembly—Carburetor Idle	244	230318	Connector—Fuel Pipe	344	93042	Screw—Hex. Hd. Sem
95	93499	Screw—Throttle and Choke Valve Mtg. Sem	257	93897	Screw—Casing Clamp	345	212259	Cover—Breaker Point
96	222433	Valve—Throttle	258	93868	Screw—Sem	346	93854	Screw—Sem
97	392672	Shaft and Lever—Throttle	265	221535	Clamp—Casing	353	92791	Washer—Lock—Shakeproof
98	91920	Screw—Machine, Fil. Hd. —8-32 x 5/8"	284	93892	Screw—Sem	354	90576	Nut—Hex. —8-32
99	26157	Spring—Throttle Adjustment	284A	93893	Screw—Sem	356	393035	Wire—Ground
102	†*271008	Gasket—Carburetor Body	300	394200	Muffler—Exhaust	358	394501	Gasket Set
103	298514	Float—Carburetor	300A	394237	Muffler—Exhaust	363	19203	Puller—Flywheel (Optional Accessory)
104	†230896	Pin—Float Hinge	302	261409	Locknut—Muffler	370	231172	Bushing—Speed Control
105	†299096	Valve—Fuel Inlet	304	392681	Housing—Blower			370A 66432 Washer—Plain
107	394352	Body—Lower Carb.	304A	393736	Housing—Blower (For Rewind Starter) (Low Profile)			373 90356 Nut—Hex. —10-24
108	222010	Valve—Choke	305	93158	Screw—Sem			383 89838 Wrench—Spark Plug
109	392673	Shaft and Lever—Choke	306-1	222846	Shield—Cylinder			
111	26155	Spring—Choke	306-2	222847	Shield—Cylinder			
116	†65978	Packing—Needle Valve	307	93163	Screw—Sem			
119	93496	Screw—Hex. Hd. Sem—10/32 x 5/8"	308-1	222848	Cover—Air Guide			
120	92290	Washer—Lock—No. 10 x 1/16 x 3/64"	308-2	222849	Cover—Air Guide			
			309	393017	Motor—Starting			
			310	93933	Thru Bolt			
			311	391705	Brush Set			
			321	212277	Fan—Booster			
				Note:	212370 Fan—Booster Used on type Nos. 0010, 0011, 0012, 0015, 0016, 0020, 0021, 0022, 0116, 0133, 0135, 0136, 0137, 0140.			

* Included in Gasket Set—Part No. 394501.

† Included in Carburetor Overhaul Kit—Part No. 394502.

REF. NO.	PART NO.	DESCRIPTION	REF. NO.	PART NO.	DESCRIPTION	REF. NO.	PART NO.	DESCRIPTION
387	280197	Body—Pump	568	394391	Base—Engine	801	394429	Drive End Cap Assy. — Starter
392	♦261395	Spring—Pump	569	*270981	Gasket—Engine Base	802	394247	Commutator End Cap Assy. — Starter
394	♦270988	Diaphragm	572	222700	Guide—Air	803	392744	Housing Assembly
423	93876	Screw—Sem	573	392934	Back Plate Assy.	814	392606	Wire Assy. — Alternator (Tri-Circuit)
432	♦221377	Cap—Spring	575	299139	Switch—Starting	823	93535	Screw—Sem
434	222615	Cover—Diaphragm	578	392683	Wire Assembly	826	392684	Wire—Panel (Starter Switch to Ground Wire Terminal)
435	93829	Screw—Diaphragm Cover	590	93171	Screw—Sem	840	392918	Panel Assy. — Starter
445	394018	Cartridge—Air Cleaner	592	92278	Nut—Hex. — 10-24	847	394023	Dipstick and Tube Assembly
451	271037	Washer—Breaker Box	601	93053	Clamp—Fuel Pipe	851	221798	Terminal—Ignition Cable
455	222674	Cup—Screen Mounting	605	222959	Bracket—Regulator	858	♦270989	Diaphragm—Damping
467	212292	Knob—Air Cleaner	608	392677	Starter Assy. — Rewind	859	♦271025	Gasket—Carb. Pump
468	222673	Screen—Flush Rotating	613	93927	Screw—Muffler Mtg.	860	♦261358	Spring (2)
474	393474	Stator—Alternator (Dual Circuit)	615	93851	Retainer—E-Ring	861	393397	Repair Kit—Pump
	Note:	393295 Stator—Alternator (13 Amp.) (Does not use Ref. 877 & 878)	616	394396	Crank—Governor	862	392643	Mounting Strap Assy. — Air Cleaner
474A	392595	Stator—Alternator (Tri-Circuit)	621	297472	Switch—Stop	863	222776	Bracket—Muffler
478	222751	Panel—Instrument	634	†271013	Washer (Choke Shaft)	864	394425	Adaptor Assy. — Muffler
482	93621	Screw—Sem	634A	271316	Foam Seal—Gov. Shaft	864A	231162	Connector—Muffler Adapter Assy. Muffler
500	91325	Washer—Plain	635	66538	Elbow—Spark Plug	865-1	392991	Cover Assy. — Air Guide (Cyl. #1)
501	393374	Regulator—Alternator (A. C. or D. C.) (13 Amp.)	639	*271039	Gasket—Breaker Box	865-2	392992	Cover Assy. — Air Guide (Cyl. #2)
506	231174	Terminal	642	223001	Cover—Air Cleaner	866	393025	Rear Insert Assy. (Air Guide)
507	280180	Grommet—Insulator	643	222835	Cartridge Plate—Air Cleaner	867	222775	Frame—Air Guide
513	391135	Clutch Assy. — Starter	653	91162	Screw—Hex. Hd. — 5/16-18 x 1-1/2"	868	393606	Seal Assy. and Retainer
518	69932	Rope—Starter	654	230783	Nut—Contact Point Adjusting Screw	869	261463	Seat—Intake Valve (Standard)
520	93722	Terminal—Spade	655	222598	Anchor—Spring	870	210940	Seat—Exhaust Valve (Standard)
523	394014	Cap and Dipstick—Oil Filler	657	93496	Screw—Sem	871		Guide—Exhaust Valve 231218 or 230655 See Repair Manual
524	68838	Seal—Filler Tube	664	93343	Screw—Sem	876	393254	Kit—Pinion Spring
525	392782	Tube—Oil Filler	664A	93415	Screw—Hex. Hd.	877	393456	Diode and Connector Assembly (Dual Circuit)
526	93343	Screw—Regulator	673	93705	Screw—Hex. Hd. — #8/32 x 3/8	877A	393537	Connector Assy. (Tri-Circuit)
528	393244	Line—Fuel (Impulse)	676	393761	Deflector—Muffler (Side Outlet) For Spark Arrestor Assy., use No. 392390 on Type No. 0140.	878	393362	Alternator Harness Assembly
535	271271	Element—Air Cleaner	676A	222902	Deflector—Muffler (Louvered Outlet)	878A	393422	Alternator Harness Assembly
537	†271411	Gasket—Air Cleaner	681	†394033	Valve Assy. — Needle	883	270917	Gasket—Exhaust
539	221372	Clip—Control Rod	722	280222	Seal—Plunger	896	93754	Roll Pin
542	90746	Screw—Fil. Hd.	725	222981	Shield—Heat			
544	390837	Armature Assembly (Motor)	726	391362	Gear—Flywheel Ring (Includes Mounting Parts)			
549	271180	Washer	727	222987	Guard—Ring Gear			
552	261559	Lower Bushing—Gov.	741	261363	Gear—Timing			
556	93783	Screw—Hex. Hd.	783	280104	Gear—Starter			
558	92268	Washer	795	392697	Switch—Ignition (Toggle)			
561	92278	Nut—Hex.			Uses: 93888 Nut—Hex.			
562	93853	Bolt—Governor Lever						
567	93777	Screw—Hex. Hd. (Back Plate to Cyl.)						

* Included in Gasket Set—Part No. 394501.

† Included in Carburetor Overhaul Kit—Part No. 394502.

♦ Included in Carburetor Overhaul Kit—Part No. 394502 and Pump Repair Kit—Part No. 393397.

