

421700 to 421799
422700 to 422799

Illustrated Parts List

Model Series

421700 to 421799

TYPE NUMBERS
0010 and 0011
0111 through 0145
0510, 0511, 0611,
0630, 0631, 0632

422700 to 422799

TYPE NUMBERS
0010 through 0113
0131 through 0166
0179 and 0210

TO FIND

THE CORRECT NUMBER OF THE PART YOU NEED:

FOLLOW THE INSTRUCTIONS BELOW

- A. Refer to Engine Model, Type and Code Number that is stamped on the blower housing of engine. Engine type numbers such as 012301 are listed herein only as 0123. The two digits (01 or 02, etc.) to the right of the space are not needed for parts identification. Then use the Illustrated Parts List covering the Model Series.
- B. Refer to Illustrated Parts section and compare the old part with illustration. The number on the illustration is the Reference Number. Assemblies include all parts shown in frames. All parts shown in assembly frames on which individual reference numbers are given can be purchased separately.
- C. After the Reference Number has been identified, refer to the Numerical Parts List, where Reference and Master Part Number are listed. **THE MASTER PART IS USED ON ALL TYPE NUMBERS EXCEPT THOSE TYPE NUMBERS UNDER "NOTE"**.
- D. If a "Note" appears below the Master Part Number, this means that this part differs from the Master Part for certain types. If the Type number is listed under "Note", order the part referred to.
- E. If the Engine Type Number does not appear after any part number listed under "Note", use the Master Part Number.
- F. For Type Numbers higher than those covered by this book, please refer to the factory if you are unable to identify the part by comparison.

PRINTED IN U.S.A.

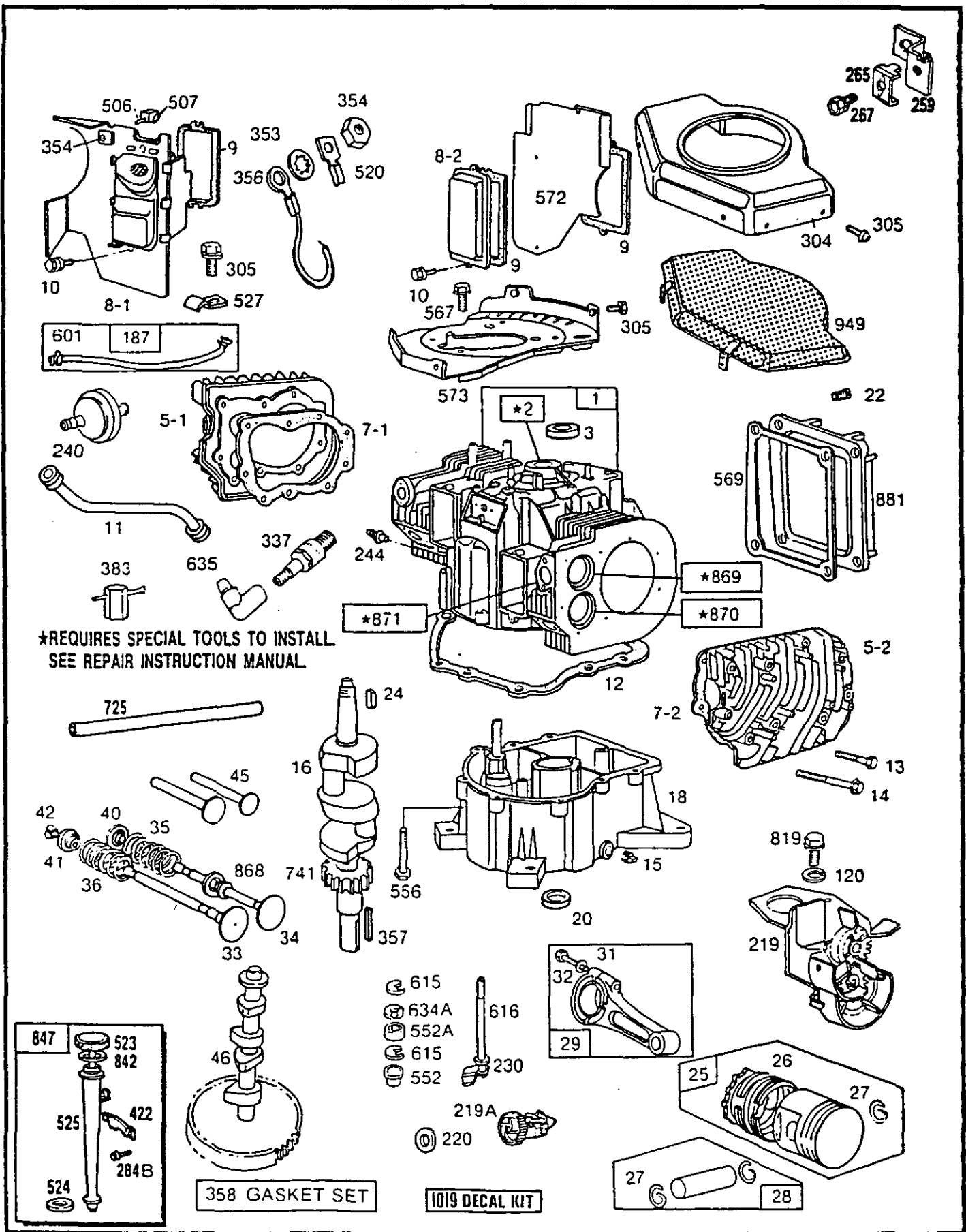


COPYRIGHT ©



0 24847 09351 3

421700 to 421799
422700 to 422799

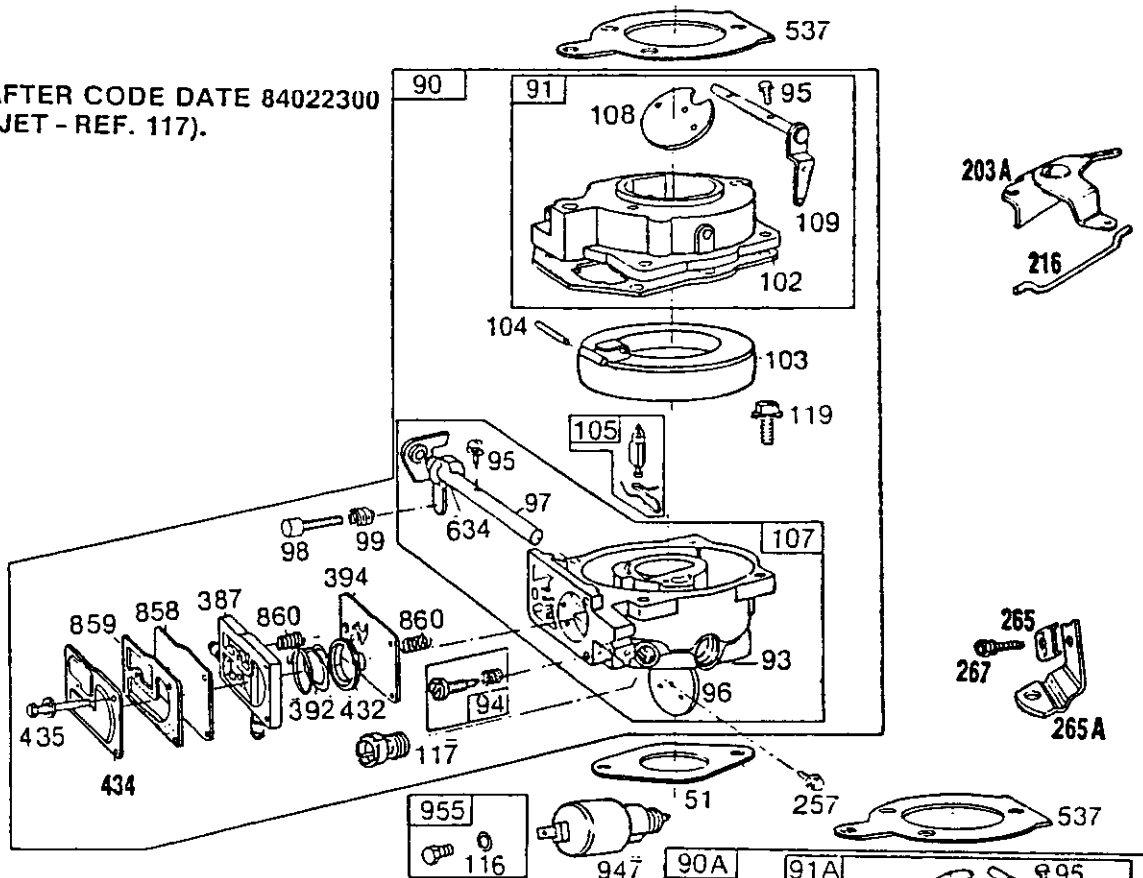


***REQUIRES SPECIAL TOOLS TO INSTALL
 SEE REPAIR INSTRUCTION MANUAL**

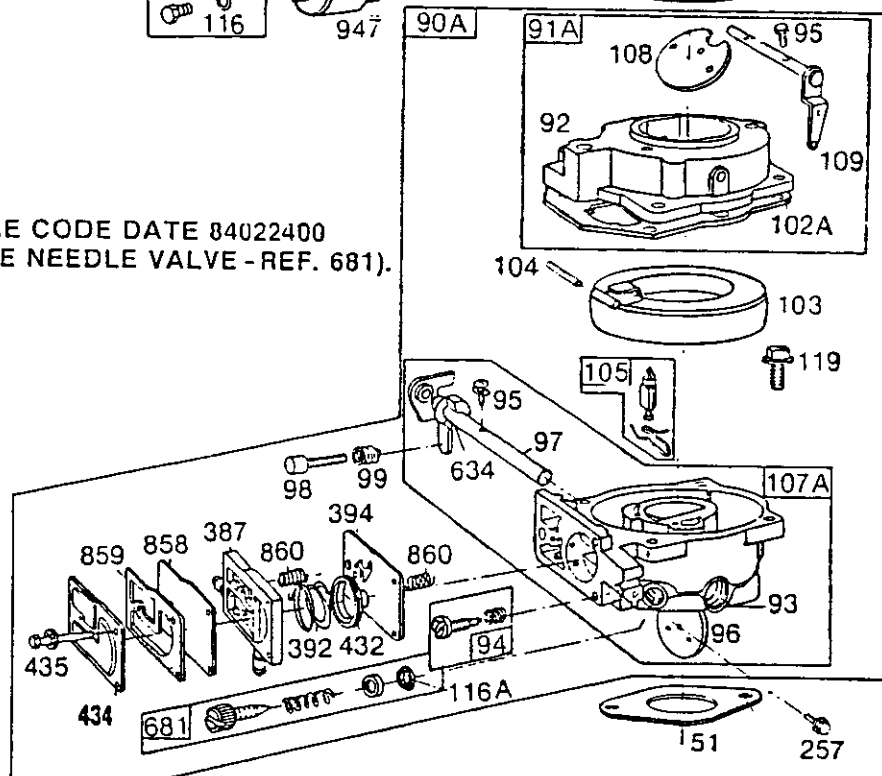
358 GASKET SET

1019 DECAL KIT

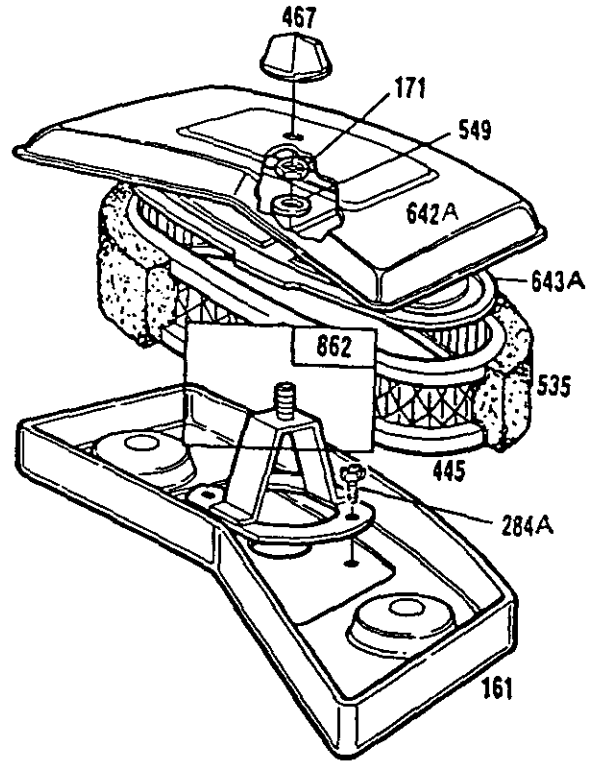
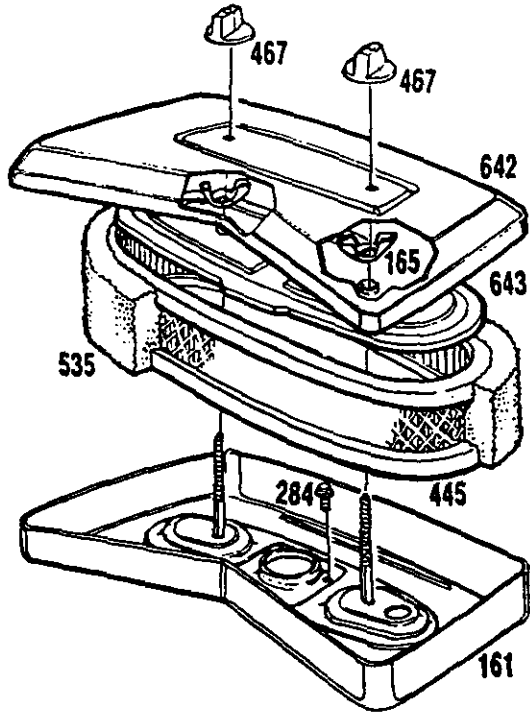
USED AFTER CODE DATE 84022300
(FIXED JET - REF. 117).



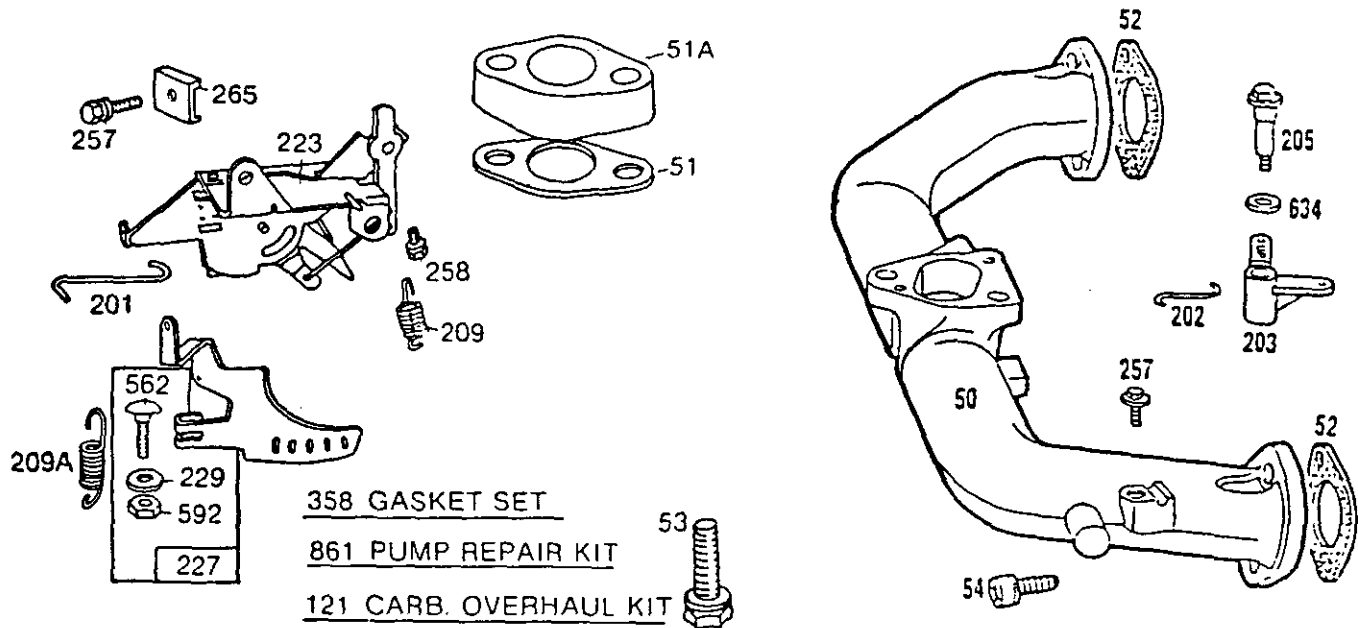
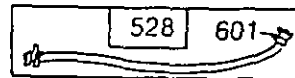
USED BEFORE CODE DATE 84022400
(ADJUSTABLE NEEDLE VALVE - REF. 681).



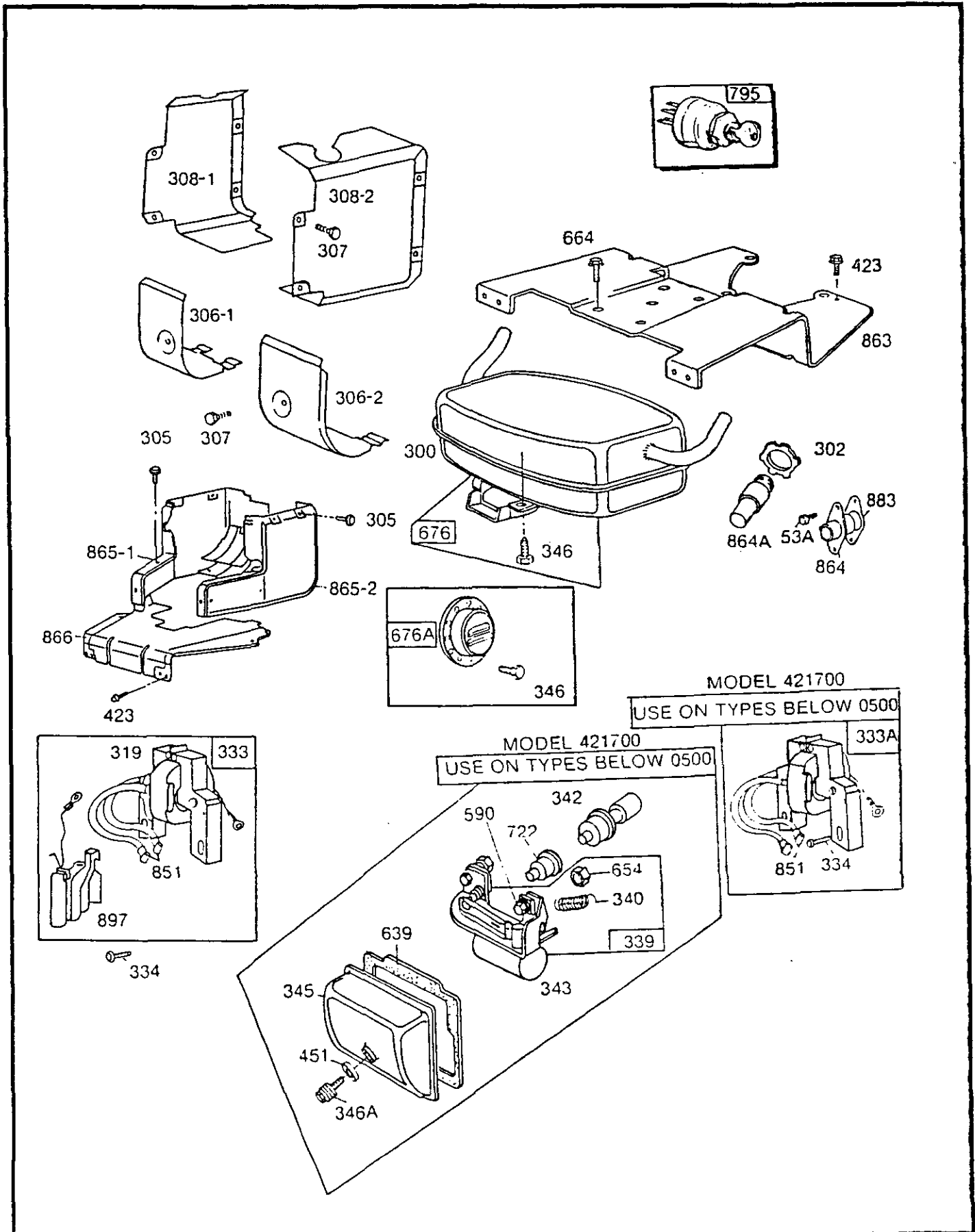
421700 to 421799
422700 to 422799





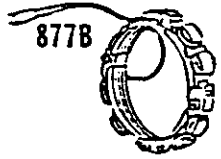



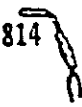


PARTS USED WITH BOTH CARBURETORS.



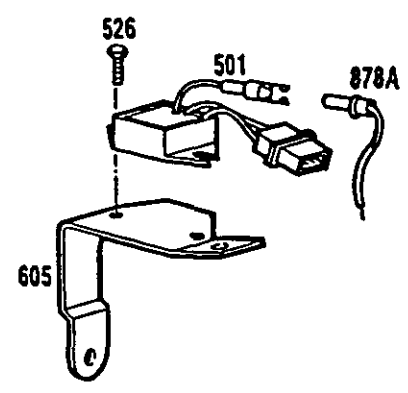
421700 to 421799
422700 to 422799



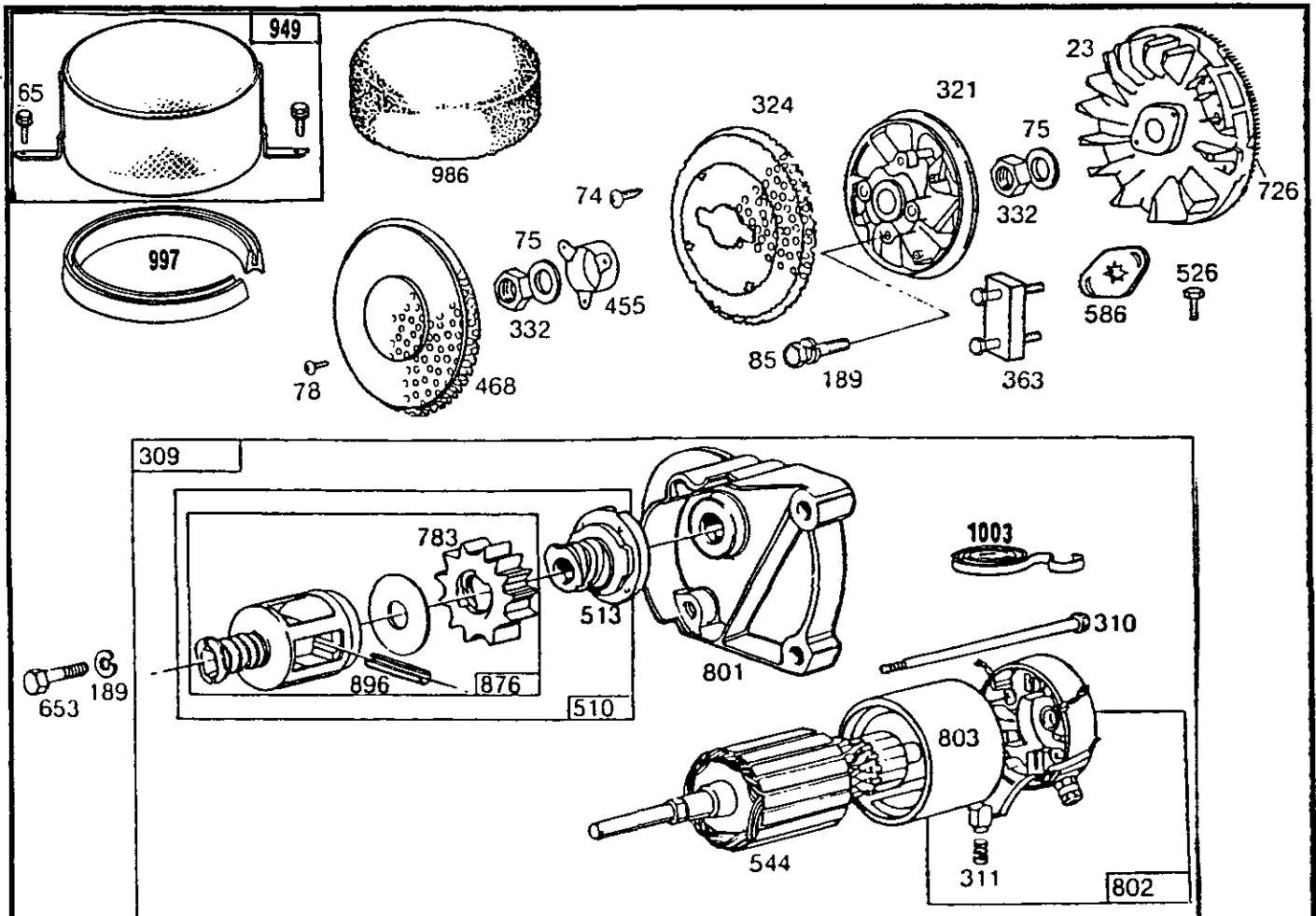
421700 to 421799
422700 to 422799

DC ONLY	DUAL CIRCUIT	TRI-CIRCUIT	16 AMP
23	23	23	NOTE UNDER REF. 23
887 877A 	474 877 	474A 877B 	474B 
878A 	878 	814 	878A 
			501 

NOTE: All stators use #482 Mlg. Screw



421700 to 421799
422700 to 422799



Subject		Ref. No. 309	Ref. No. 310	Ref. No. 311	Ref. No. 801	Ref. No. 802	Ref. No. 803	Ref. No. 544	Ref. No. 1003
Starter Motor Mfr.		Motor and Drive Assy.	Thru Bolt	Brush Assembly	End Cap Assy. Drive	End Cap Assy. Commutator	Housing Assembly	Armature Assembly	Brush Spring
Briggs & Stratton	Housing Length								
†12V	3"	393017	93887	391705	393009	394674	**	390837	—
12V	3-5/8"	394808	94003	395538	394860	††395537	393825	390837	—
12V	4-1/2"	399928	94169	490311	394860	490310	399172	490309	490316

Subject	Ref. No. 513	Ref. No. 783	Ref. No. 876	Ref. No. 896	Ref. No. 510
Starter Motor Mfr.	Clutch Assembly	Gear	Pinion Spring Kit	Roll Pin	Starter Drive Drive Group
Briggs & Stratton					
12V	391135	280104	393254	93754	396865

NOTE: Style Identification of 12 volt motors.
NEW STYLE: Thru bolt heads are located on the drive end head.
†OLD STYLE: Brush end head is 13/16" wide.
 ††See Text — Ref. 309 for Specials.
 **Part not available. Use 394808 Motor Drive Assembly.

421700 to 421799

422700 to 422799

REF. NO.	PART NO.	DESCRIPTION	REF. NO.	PART NO.	DESCRIPTION	REF. NO.	PART NO.	DESCRIPTION
1	394941	Cylinder Assembly This Group Used on Model 421700 Series. Note: 394563 Cylinder Assy. (Kool-Bore) Used on Type Nos. below 0500.	16	394028	Crankshaft Note: Order Part No. 94196 Key or 231160 Pin for Timing Gear Retaining Device. 394684 Crankshaft Used on Model Series 421700 on Type Nos. 0011, 0132, 0511, 0630. Used on Model Series 422700 on Type Nos. 0011, 0016, 0133, 0145, 0156.	MODEL 422700 SERIES PISTON ASSEMBLIES: (SLEEVE-BORE)		
	394941	Cylinder Assembly Used on Model 422700 Series.				394955		Piston Assembly—Standard
2	261623	Bearing—Cylinder Used on Model 421700 after Type No. 0500 and on All Model 422700.	18	393552	Base Assembly—Crankcase	394956		Piston Assembly—.010" O.S.
3	391086	Seal—Oil	20	291675	Seal—Oil	394957		Piston Assembly—.020" O.S.
5-1	212461	Head—Cylinder #1	22	90887	Screw—Crankcase Cover Mtg. Sem Uses: 92268 Lockwasher 93882 Screw—Crankcase Cover Mtg. Sem Used on Model 421700 Series Engines.	394958		Piston Assembly—.030" O.S.
5-2	212462	Head—Cylinder #2				MODEL 421700 SERIES RING SETS: (KOOL-BORE)		
7-1	*271867	Gasket—Cylinder Head #1				26	393277	Ring Set—Piston—Standard
7-2	*271868	Gasket—Cylinder Head #2				393340		Ring Set—Piston—.010" O.S.
8-1	393370	Breather Assembly #1				393341		Ring Set—Piston—.020" O.S.
8-2	222892	Cover—Breather Cylinder #2 (Used only on Ref. 572 Air Baffle with holes for mounting)				393342		Ring Set—Piston—.030" O.S.
			23	392956	Flywheel and Ring Gear Assy.—Magneto Note: 393480 Flywheel and Ring Gear Assy.—Magneto Used on Model Series 422700 Type Nos. 0030, 0031, 0149, 0158, 0160, 0163.	MODEL 422700 SERIES RING SETS: (SLEEVE-BORE)		
9	*27803	Gasket—Valve Cover				394959		Ring Set—Piston—Standard
10	93394	Screw—Sem				394960		Ring Set—Piston—.010" O.S.
11	280225	Tube—Breather				394962		Ring Set—Piston—.030" O.S.
12	*271142	Gasket—Crankcase Cover—1/64" thick				27	260924	Lock—Piston Pin
	*271188	Gasket—Crankcase Cover—.005" thick				28	299691	Pin Assembly—Piston—Standard
	*271189	Gasket—Crankcase Cover—.009" thick	24	222698	Key—Flywheel (For MAGNETRON [®] Ignition) Note: 61760 Key—Flywheel (For Breaker Ignition System)	391286		Pin Assembly—Piston—.005" O.S.
13	93111	Screw—Cylinder Head (1-15/16" long) Note: 93772 Stud 22963 Washer Used on Model Series 422700 Type No. 0148.				29	394306	Rod Assembly—Connecting Note: For Connecting Rod with .020" Undersize Crankpin Bore—Order No. 397158.
14	93113	Screw—Cylinder Head (2-5/16" long) Note: 93583 Stud 22963 Washer Used on Model Series 422700 Type No. 0148.	MODEL 421700 SERIES PISTON ASSEMBLIES: (KOOL-BORE)			31	220863	Washer (1/4 x 5/8 x 1/32)
			25	393271	Piston Assembly—Standard	32	92909	Screw—Connecting Rod
15	91084	Plug—Oil Drain				33	390420	Valve—Exhaust Note: 390419 Valve—Exhaust Used on Model Series 422700 on Type Nos. 0109, 0113, 0132, 0133, 0134, 0135, 0138, 0151, 0156, 0157, 0162, 0165.

*Included in Gasket Set—Part No. 394501.

†Included in Carburetor Overhaul Kit—Part No. 394502.

‡Included in Carburetor Overhaul Kit—Part No. 394502 and Pump Repair Kit—Part No. 393397.

421700 to 421799 422700 to 422799

REF. NO.	PART NO.	DESCRIPTION	REF. NO.	PART NO.	DESCRIPTION	REF. NO.	PART NO.	DESCRIPTION
34	261528	Valve—Intake Uses: 393606 Seal Assembly and Retainer (Ref. No. 868)	91	399535	Body Assembly—Upper Carburetor (Used after Code Date 85082500.)			Note: 231333 Jet—Needle Valve (High Altitude)
35	65906	Spring—Intake Valve			Note: 397241 Body Assy.—Upper Carburetor (Used before Code Date 85082600.)	119	94152	Screw—Hex. Hd. Sem (10-32 x 3/4")
36	26828	Spring—Exhaust Valve				120	92290	Washer—Lock No. 10 x 1/16 x 3/64
40	221596	Retainer—Intake Valve	91A	393297	Body Assembly—Upper Carburetor	121	394502	Carburetor Overhaul Kit
41	292260	Rotocoil—Exhaust Valve Note: 68293 Retainer—Exhaust Valve Used on Type Nos. 0030, 0149.	92	394505	Body—Upper Carburetor	161	398826	Body—Air Cleaner
42	93630	Retainer—Exhaust Valve Rotocoil (2)	93	231209	Bushing—Throttle Shaft	161A	222861	Body—Air Cleaner
45	261368	Tappet—Valve	94	†292681	Valve Assembly—Carburetor Idle	165	94289	Nut—Wing
46	212337	Gear—Cam Note: 212415 Gear—Cam Used on Model Series 421700 on Type No. below 0500.	95	93499	Screw—Throttle and Choke Valve Mtg. Sem	171	93715	Nut—Hex.
50	212965	Manifold Assembly—Intake Note: 399230 Manifold Assy.—Intake Uses: 91488 Pipe Plug Used on Type Nos. 0030, 0149.	96	221939	Valve—Throttle	187	299146	Line—Fuel (28") Cut to Required Length.
51	†*271412	Gasket—Carburetor and Intake Elbow	97	392672	Shaft and Lever—Throttle	189	90366	Lockwasher
51A	280319	Spacer—Carburetor	98	91920	Screw—Machine, Fil. Hd.—8-32 x 5/8"	201	261586	Link—Governor
52	*270884	Gasket—Intake Manifold Mounting	99	26157	Spring—Throttle Adjustment	202	261587	Link—Throttle
53	93970	Screw—Carburetor Mounting Sem	102	†271607	Gasket—Carburetor Body	203	280320	Crank—Bell
53A	93415	Screw—Sem	102A	†271008	Gasket—Carburetor Body	203A	490207	Crank—Bell
54	93208	Screw—Intake Manifold Mounting Sem	103	298514	Float—Carburetor	205	93971	Screw—Shoulder
65	93572	Screw—Debris Guard Mtg.	104	†230896	Pin—Float Hinge	209	261720	Spring—Governor
74	93808	Screw—Sem	105	†394681	Valve—Fuel Inlet	209A	261563	Spring—Governor Idle
75	222511	Washer—Spring	107	399623	Body—Lower Carburetor (Used after Code Date 85082500.)	216	223041	Link
78	93805	Screw—Sem			Note: 397270 Body—Lower Carburetor (Used before Code Date 85082600.)	219	393415	Oil Slinger Assembly
85	92674	Screw—Hex. Head	107A	394352	Body—Lower Carburetor	219A	394348	Gear—Governor
90	397245	Carburetor Assembly			Note: 394352 Body—Lower Carburetor	220	222773	Washer—Thrust
90A	394338	Carburetor Assembly (Remote Choke) Note: 396634 Carburetor Assembly Used on Type No. 0139.			395655 Valve Assy.—Needle Used on Type No. 0139.	223	394538	Plate Assembly—Lever and Governor Control
			108	223534	Valve—Choke (Used after Code Date 85082500.)	227	394470	Lever Assy.—Governor
					Note: 222010 Valve—Choke (Used before Code Date 85082600.)	229	222289	Washer
			109	392673	Shaft and Lever—Choke	230	220863	Washer—Governor Crank (Inside)
			116	280474	O-Ring	240	394358	Filter—Fuel (In Fuel Line to Tank)
			116A	†65978	Packing—Needle Valve	244	230318	Connector—Impulse Pump
			117	231338	Jet—Needle Valve	257	93897	Screw—Sem
						258	93158	Screw—Sem
						259	223890	Bracket—Cable
						265	221535	Clamp—Casing Note: 22372 Clamp—Casing Used on Type No. 0133.
						265A	223893	Bracket—Control Cable
						267	93496	Screw—Hex. Hd.
						284	94166	Screw—Hex. Hd.
						284A	93893	Screw—Sem
						284B	93469	Screw—Hex. Hd.
						300	394164	Muffler—Exhaust Note: 490138 Muffler—Exhaust Used on Type Nos. 0158, 0164.
						302	261409	Locknut—Muffler
						304	394443	Housing—Blower
						305	93158	Screw—Sem

*Included in Gasket Set—Part No. 394501.

†Included in Carburetor Overhaul Kit—Part No. 394502.

‡Included in Carburetor Overhaul Kit—Part No. 394502 and Pump Repair Kit—Part No. 393397.

421700 to 421799

422700 to 422799

REF. NO.	PART NO.	DESCRIPTION	REF. NO.	PART NO.	DESCRIPTION	REF. NO.	PART NO.	DESCRIPTION
306-1	222846	Shield—Cylinder	423	93876	Screw—Sem	569	270981	Gasket—Crankcase
306-2	222847	Shield—Cylinder	432	‡221377	Cap—Spring	572	222912	Baffle—Air (Cyl. #2)
307	93163	Screw—Sem	434	223688	Cover—Diaphragm (Used after Code Date 85121500.)	573	394448	Back Plate Assembly
308-1	222848	Cover—Air Guide		Note:	222615 Cover— Diaphragm (Used Before Code Date 85121600.)	586	22906	Lock—Flywheel Nut
308-2	222849	Cover—Air Guide	435	93829	Screw—Diaphragm Cover	590	93171	Screw—Breaker Sem
309		Motor—Starting See Chart for Replace- ment Parts for Starting Motors	445	394019	Cartridge—Air Cleaner	592	92278	Nut—Hex.—10-24
319	394988	Armature Assembly	451	271037	Washer—Breaker Box	601	93053	Clamp—Fuel Line
321	212418	Fan—Booster (10")	455	222674	Cup—Screen Mounting	605	222959	Bracket—Regulator
324	223008	Screen—Rotating	467	212706	Knob—Air Cleaner	615	93851	Retainer—E-Ring
332	230674	Nut—Hex. Note: 231247 Nut—Hex. Used on Model Series 422700 on Type No. 0136.	468	222673	Screen—Flush Rotating	616	394396	Crank—Governor
333	394891	Armature Group (MAGNETRON® Ignition)	474	393474	Stator—Alternator (Dual Circuit)	634	†271013	Washer (Throttle Shaft)
333A	392329	Armature Assembly	474A	392595	Stator—Alternator (Tri-Circuit)	634A	271316	Foam Seal—Governor Shaft
334	93381	Screw—Armature Mtg. Sem	474B	393295	Stator—Alternator (16 Amp.)	635	66538	Elbow—Spark Plug
337	394539	Plug—Spark (2-3/8" High) (Resistor)	482	93621	Screw—Sem	639	*271039	Gasket—Breaker Box
339	393403	Breaker Assembly— Ignition Note: For Conversion to MAGNETRON® Ignition Order Part No. 394891.	501	394890	Regulator—Alternator (13 Amp.) Note: 397809 Regulator— Alternator Used on Type No. 0158.	642	223579	Cover—Air Cleaner
340	26018	Spring—Breaker Arm	506	231174	Terminal	642A	223002	Cover—Air Cleaner
342	393598	Plunger—Breaker Point	507	280180	Grommet—Insulator	643	223714	Cartridge Plate— Air Cleaner
343	392912	Condenser	520	93722	Terminal—Spade	643A	222859	Cartridge Plate—Air Cleaner
345	212259	Cover—Breaker Point	523	394020	Cap and Dipstick— Oil Filler	653	91162	Screw—Hex. Hd.— 5/16-18 x 1-1/2"
346	93705	Screw—Sem (8-32 x 3/8)	524	271157	Seal—Filler Tube	654	230783	Nut—Contact Point Adjusting Screw
346A	93854	Screw—Sem	525	280224	Tube—Oil Filler	664	93343	Screw—Sem Note: 93559 Screw—Sem Used on Type Nos. 0158, 0164.
353	92791	Washer—Lock— Shakeproof	526	93343	Screw—Regulator Note: 94137 Screw—Regulator Used on Type No. 0158.	676	393761	Deflector—Muffler (Side Outlet) Note: 396903 Deflector— Muffler (Direct Outlet) Used on Type No. 0141.
354	90576	Nut—Hex.—8-32	527	223167	Clamp—Fuel Pipe	676A	222902	Deflector—Muffler (Louvered Outlet)
356	391115	Wire—Ground Note: 393005 Wire—Ground Used on Model Series 421700 before Type No. 0500.	528	393815	Impulse Line and Clamp Assembly	681	†394033	Valve Assy.—Needle Note: 395655 Valve Assy.— Needle Used on Type No. 0139.
357	91540	Key—Pulley	535	271271	Element—Air Cleaner	722	280222	Seal—Plunger
358	394501	Gasket Set	537	*†271411	Gasket—Air Cleaner	725	280623	Shield—Heat (11") Note: 280692 Shield—Heat (16")
363	19203	Puller—Flywheel (Optional Accessory)	549	271180	Washer	726	391362	Gear—Flywheel Ring (Includes Mounting Parts)
383	89838	Wrench—Spark Plug	552	261559	Lower Bushing— Governor	741	262221	Gear—Timing (Used with Key) Note: 261363 Gear—Timing (Used with Pin)
387	280197	Body—Pump	552A	261560	Upper Bushing— Governor	795	490066	Switch Assy.—Key
392	‡261395	Spring—Pump	556	93585	Screw—Hex. Hd. Sem Note: 93730 Stud 90366 Lockwasher 22963 Washer Used on Model Series 422700 on Type No. 0148.	814	392606	Diode and Connector Assembly—Alternator (Tri-Circuit)
394	‡270988	Diaphragm	562	93853	Bolt—Governor Lever	819	93686	Screw—Hex. Hd. (10-32 x 5/8")
422	222875	Clamp—Oil Filler	567	93777	Screw—Hex. Head (Back Plate to Cylinder)	842	271170	Seal—Oil Filler Cap

*Included in Gasket Set—
Part No. 394501.

†Included in Carburetor Overhaul
Kit—Part No. 394502.

‡Included in Carburetor Overhaul
Kit—Part No. 394502 and Pump
Repair Kit—Part No. 393397.

421700 to 421799 422700 to 422799

REF. NO.	PART NO.	DESCRIPTION	REF. NO.	PART NO.	DESCRIPTION	REF. NO.	PART NO.	DESCRIPTION
847	394394	Dipstick and Tube Assembly	866	393285	Top Plate Assembly	878A	393422	Alternator Harness Assembly
851	221798	Terminal—Ignition Cable	868	393606	Seal Assembly and Retainer	881	212455	Cover Plate—Crankcase
858	‡270989	Diaphragm—Damping	869	261463	Seat—Intake Valve (Standard)	883	271174	Gasket—Exhaust
859	‡271025	Gasket—Carburetor Pump	870	210940	Seat—Exhaust Valve (Standard)	887	391529	Stator Assembly—Alternator (D.C.)
860	‡261358	Spring (2)	871	261961	Guide—Exhaust Valve	897	394970	Trigger Coil Assy. MAGNETRON® Ignition
861	393397	Repair Kit—Pump		Note:	231218 Guide—Intake Valve	947	397266	Solenoid
862	394546	Mounting Strap Assy.—Air Cleaner			See Repair Manual	949	393330	Cover—Static Guard
863	222865	Bracket—Muffler	877	393456	Diode and Connector Assembly	949A	491349	Guard—Debris (For Electric Starter)
864	393483	Liner—Exhaust Port	877A	393814	Diode and Connector Assembly (D.C.)	955	397882	Plug and Seal—Solenoid
864A	231162	Connector—Muffler	877B	393537	Connector Assembly (Tri-Circuit)	986	271964	Foam Hat—Debris Guard
865-1	393288	Cover Assembly—Air Guide (Cyl. #1)	878	393362	Alternator Harness Assembly (Dual Circuit)	994	392390	Spark Arrester
865-2	393289	Cover Assembly—Air Guide (Cyl. #2)				997	280754	Shield—Debris
		Note: 399932 Cover Assy.—Air Guide (Cyl. #2) Used on Model 422700 Type Nos. 0010, 0011, 0015, 0016, 0030, 0031, 0164.				1016	491262	Decal Kit

*Included in Gasket Set—Part No. 394501.

‡Included in Carburetor Overhaul Kit—Part No. 394502.

‡Included in Carburetor Overhaul Kit—Part No. 394502 and Pump Repair Kit—Part No. 393397.

