

## 42C700 to 42C799

# Illustrated Parts List

## Model Series

# 42C700 to 42C799

TYPE NUMBERS  
1237.

**TO FIND  
THE CORRECT NUMBER OF THE PART YOU NEED:  
FOLLOW THE INSTRUCTIONS BELOW**

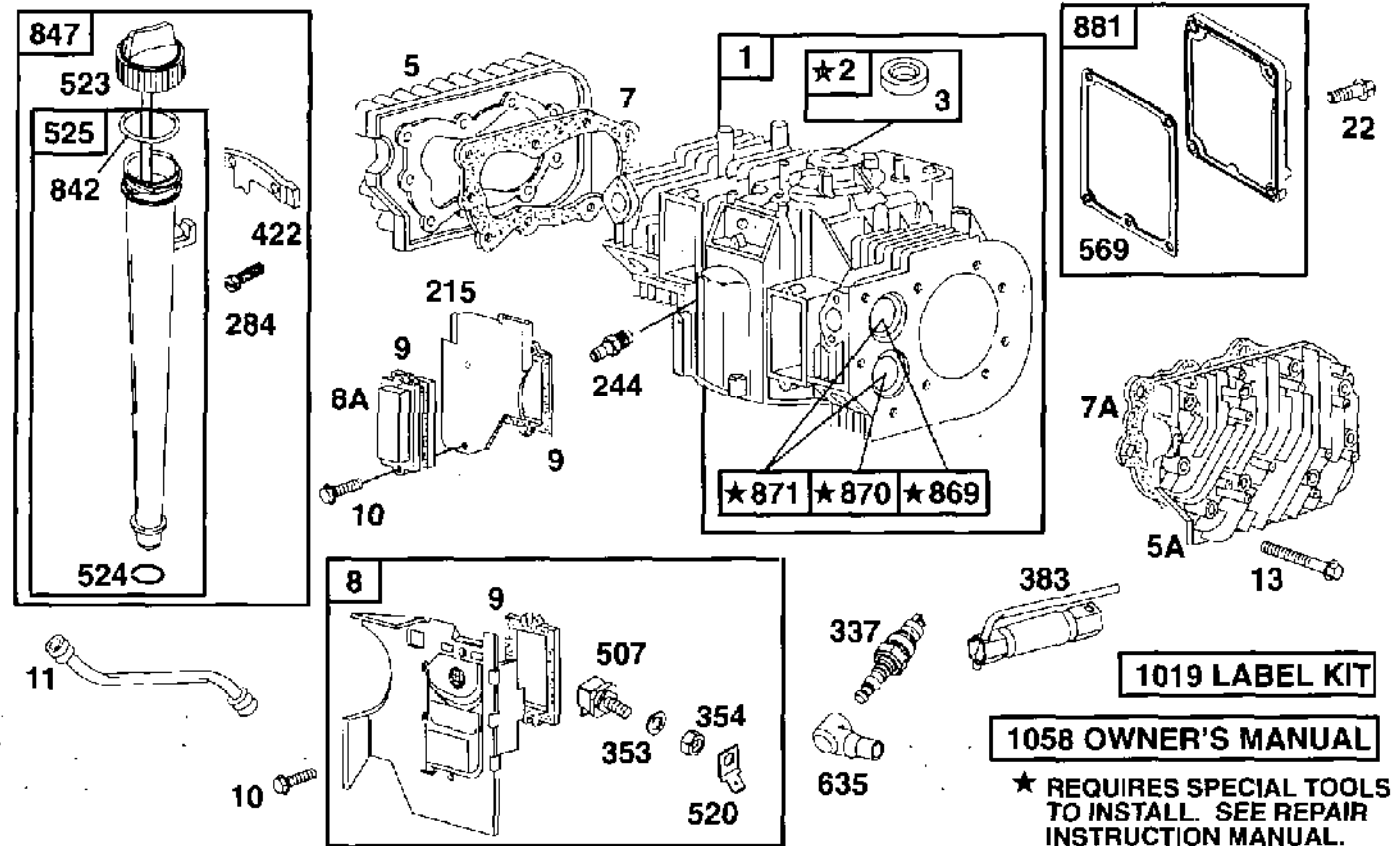
- A. Refer to Engine Model, Type and Code Number that is stamped on the blower housing of engine. Engine type numbers such as 0123 01 are listed only as 0123 in most instances. The two digits (01 or 02, etc.) to the right of the space may be required for more accurate parts identification in some instances. Select the Illustrated Parts List covering the correct Model Series and Type Number.
- B. Refer to the illustrations and compare the original part with illustration. The number next to the illustration is the Reference Number. Assemblies include all parts shown in frames. All parts shown in assembly frames having individual reference numbers can be purchased separately.
- C. After the Reference Number has been identified, refer to the Numerical text, where Reference and Primary Part Number are listed. **THE PRIMARY PART IS USED ON ALL TYPE NUMBERS EXCEPT THOSE TYPE NUMBERS UNDER "NOTE."**
- D. If a "Note" appears below the Primary Part Number, it means that this part differs from the Primary Part for certain types. If your Type number is listed under "Note," order the part referred to at the "Note."
- E. If your Engine Type Number does not appear after any part number listed under "Note," use the Primary Part Number.
- F. For Engine Type Numbers not covered by this book, check other Parts Lists having the same engine model or contact your source of supply.

PRINTED IN U.S.A.



COPYRIGHT by BRIGGS & STRATTON CORPORATION  
All rights reserved. No part of this material may be reproduced or transmitted, in any form or by any means, electronic or mechanical, including photocopying, recording or by any information storage and retrieval system, without permission in writing from Briggs & Stratton Corporation.

# 42C700 to 42C799



**1058 OWNER'S MANUAL**

★ **REQUIRES SPECIAL TOOLS TO INSTALL. SEE REPAIR INSTRUCTION MANUAL.**

REF. NO.	PART NO.	DESCRIPTION	REF. NO.	PART NO.	DESCRIPTION	REF. NO.	PART NO.	DESCRIPTION
1	497074	Cylinder Assembly Include(s): 94296 Retainer 94386 Screw-Hex. 223882 Washer 262331 Bushing-Gov. Crank 262332 Bushing-Gov. Crank 491287 Seal Governor Shaft 491530 Crank-Governor	8	495754	Breather Assembly	525	495348	Tube-Oil Fill
	2	399265 Bushing	8A	222892	Cover-Breather (Used Only With Ref. 572 Guide-Air)	569	*272645	Gasket-Base
	3	*391086 Seal-Oil	9	∅*27803	Gasket-Breather	635	66538	Boot-Spark Plug
	5	493457 Head-Cylinder (#1)	10	94830	Screw-Hex.	842	*270920	Seal-O-Ring
	5A	493458 Head-Cylinder (#2)	11	280225	Tube-Breather	847	495715	Dipstick/Tube Assembly
	7	∅*271867 Gasket-Cylinder Head (#1)	13	94565	Screw-Hex.	869	261463	Seat-Valve (Intake)
	7A	∅*271868 Gasket-Cylinder Head (#2)	22	94724	Screw-Hex.	870	213316	Seat-Valve (Exhaust)
			215	224816	Guide-Air	871	261961	Bushing-Guide (Exhaust)
			244	230318	Connector-Hose			<b>Note</b>
			284	94694	Screw-Slotted Hex.			231218 Bushing-Guide (Intake, Brass)
			337	802592	Plug-Spark	881	495901	Plate-Cover
			353	92791	Washer-Lock	1019	496726	Label Kit
			354	90576	Nut-Hex	1058	272112	Owner's Manual
			383	89838	Wrench-Spark Plug			
			422	222875	Bracket-Oil Fill			
			507	398525	Insulator			
			520	93722	Terminal			
			523	494947	Dipstick			
			524	*271157	Seal-O-Ring			

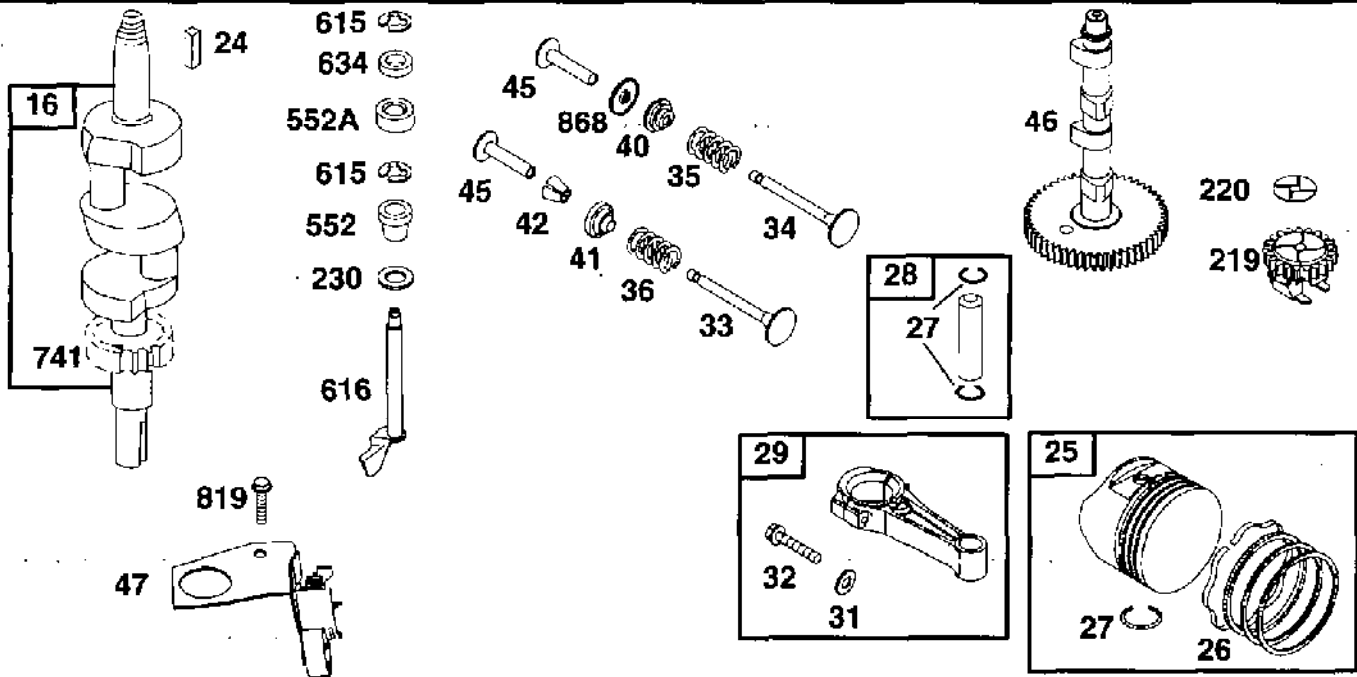
★ Included in Gasket Set-Part No. 495868.

∅ Included in Valve Overhaul Gasket Set-Part No. 498047.

● Included in Carburetor Kit-Part No. 491539.

■ Included in Pump Repair Kit-Part No. 393397.

# 42C700 to 42C799



REF. NO.	PART NO.	DESCRIPTION	REF. NO.	PART NO.	DESCRIPTION	REF. NO.	PART NO.	DESCRIPTION
16	492590	Crankshaft — <b>Note</b> — For Timing Gear Key— Order Part No. 94196.	28	498319	Pin—Piston (Standard) (Used After Code Date 96042900). — <b>Note</b> — 299691 Pin—Piston (Standard) (Used Before Code Date 96043000). 498320 Pin—Piston (.005" O.S.) (Used After Code Date 96042900). 391286 Pin—Piston (.005" O.S.) (Used Before Code Date 96043000).	41	292260	Retainer—Valve (Exhaust)
24	222698	Key—Flywheel				42	494553	Keeper—Valve
25	498584	Piston Assembly (Standard) 498585 Piston Assy. (.010" O.S.) 498586 Piston Assy. (.020" O.S.) 498587 Piston Assy. (.030" O.S.)	29	394306	Rod—Connecting (Standard) 397158 Rod—Conn. (.020" Undersize)	45	261368	Tappet—Valve
26	394959	Ring Set (Standard) 394960 Ring Set (.010" O.S.) 394961 Ring Set (.020" O.S.) 394962 Ring Set (.030" O.S.)	31	220863	Washer	46	213520	Gear—Cam
27	263129	Lock—Piston Pin (Used After Code Date 96042900). — <b>Note</b> — 260924 Lock—Piston Pin (Used Before Code Date 96043000).	32	94671	Screw—Hex.	47	393415	Slinger—Oil
			33	390420	Valve—Exhaust	219	394348	Gear—Governor
			34	261528	Valve—Intake	220	222773	Washer—Thrust
			35	65906	Spring—Valve (Intake)	230	223882	Washer
			36	26828	Spring—Valve (Exhaust)	552	262332	Bushing—Governor Crank
			40	221596	Retainer—Valve (Intake)	552A	262331	Bushing—Governor Crank
						615	94296	Retainer
						616	491530	Crank—Governor
						634	*491287	Seal—Governor Shaft
						741	262989	Gear—Timing
						819	94675	Screw—Hex.
						868	Ø393606	Seal—Valve

\* Included in Gasket Set—Part No. 495868.

Ø Included in Valve Overhaul Gasket Set—Part No. 498047.

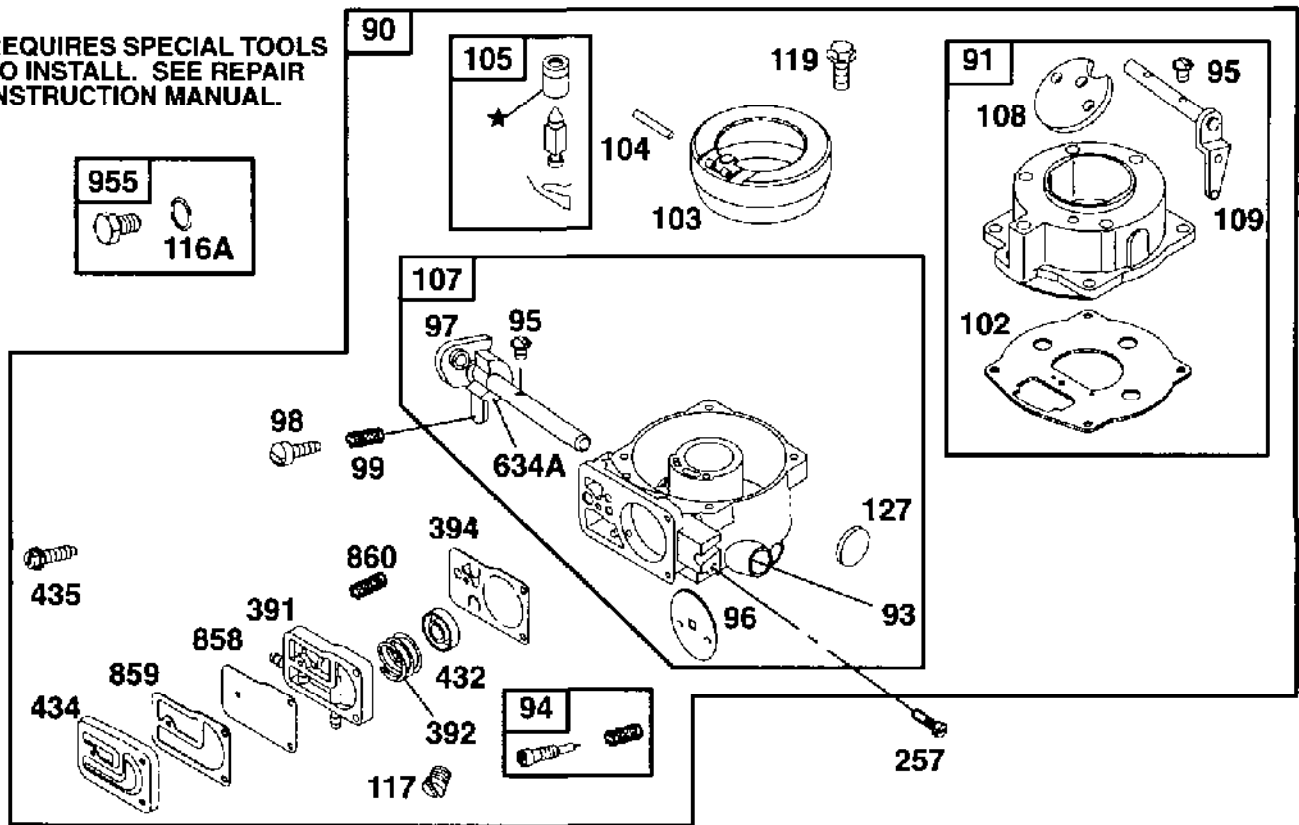
◆ Included in Carburetor Kit—Part No. 491539.

■ Included in Pump Repair Kit—Part No. 393397.



# 42C700 to 42C799

★ REQUIRES SPECIAL TOOLS TO INSTALL. SEE REPAIR INSTRUCTION MANUAL.



REF. NO.	PART NO.	DESCRIPTION	REF. NO.	PART NO.	DESCRIPTION	REF. NO.	PART NO.	DESCRIPTION	
90	495181	Carburetor	107	491543	Body Assembly-Lower	392	●261395	Spring-Pump Diaphragm	
91	495035	Body Assembly-Upper	108	223534	Valve-Choke	394	●272638	Diaphragm-Carburetor	
93	231209	Bushing-Throttle Shaft	109	392673	Shaft-Choke	432	●221377	Cap-Spring	
94	●491538	Valve-Idle Adjustment	116A	×280474	Seal-O-Ring	434	223688	Cover-Diaphragm	
95	93499	Screw-Slotted	117	231338	Jet-Main (Standard)	435	93829	Screw-Slotted Hex.	
96	221939	Valve-Throttle			<b>Note</b>	634A	●271013	Washer-Foam	
97	392672	Shaft-Throttle			231333	Jet-Main (High Altitude)	858	●270989	Diaphragm-Carburetor
98	91920	Screw-Slotted	119	94152	Screw-Torx® Hex.	859	●271025	Gasket-Pump	
99	26157	Spring-Friction	127	●223472	Plug-Welch	860	●261358	Spring-Diaphragm	
102	●271607	Gasket-Carburetor Body	257	93897	Screw-Slotted Hex.	955	397882	Plug-Carburetor	
103	298514	Float-Carburetor	391	280197	Body-Pump				
104	●230896	Pin-Float Hinge							
105	●394683	Valve-Needle							

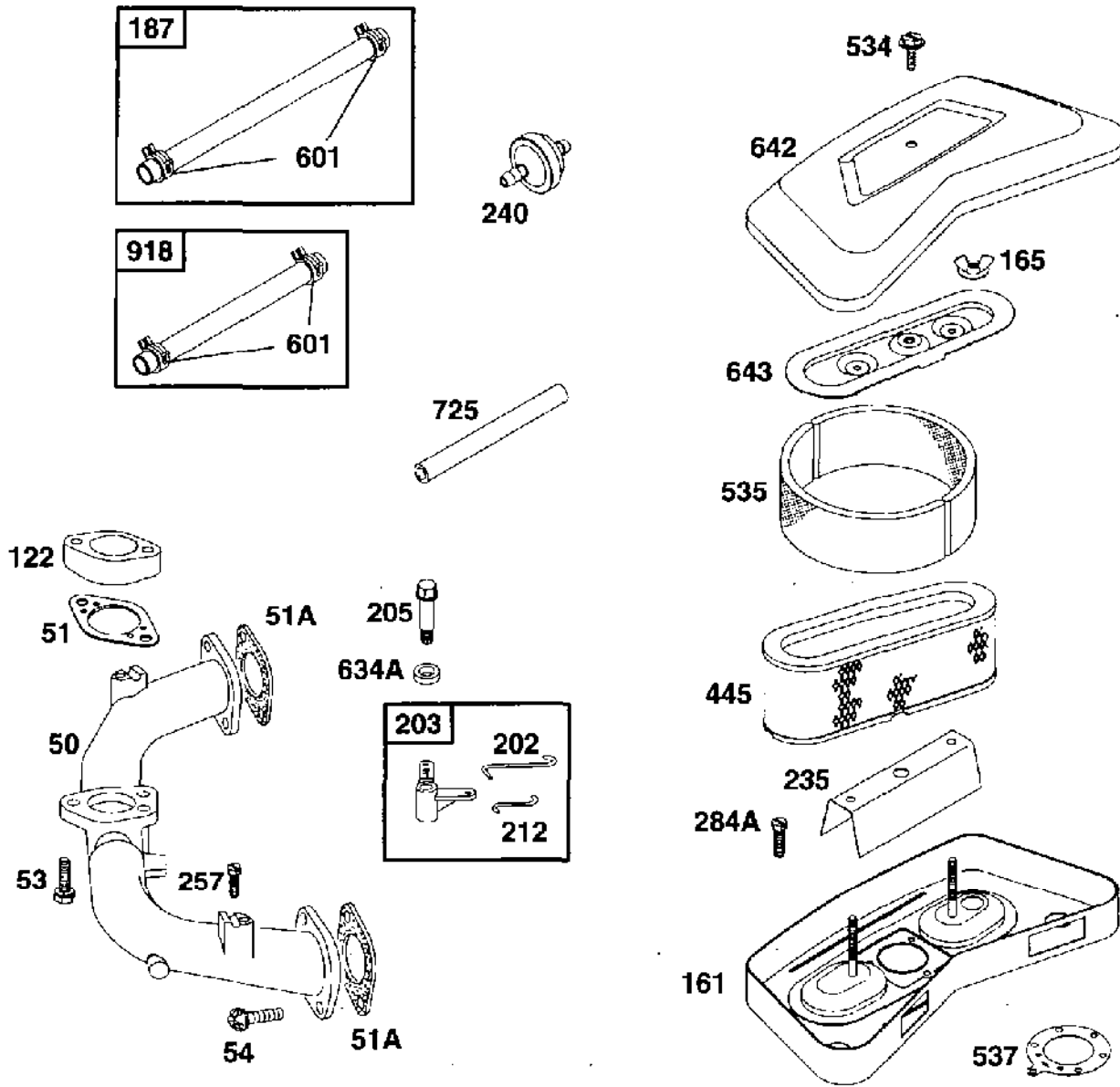
★ Included in Gasket Set-Part No. 495868.

● Included in Carburetor Kit-Part No. 491539.

■ Included in Pump Repair Kit-Part No. 393397.

∅ Included in Valve Overhaul Gasket Set-Part No. 498047.

# 42C700 to 42C799



REF. NO.	PART NO.	DESCRIPTION	REF. NO.	PART NO.	DESCRIPTION	REF. NO.	PART NO.	DESCRIPTION
50	213290	Manifold-Intake	202	262683	Link-Mechanical Governor	537	★271411	Gasket-Air Cleaner
51	★271412	Gasket-Intake	212	262684	Link-Throttle	601	93053	Clamp-Hose
51A	∅★270884	Gasket-Intake	203	493230	Crank-Bell	634A	●271013	Washer-Foam
53	93970	Screw-Hex.	205	93971	Screw-Shoulder	642	225008	Cover-Air Cleaner
54	93208	Screw-Phillips	235	224995	Shield-Fuel Spray	643	496700	Retainer-Air Filter
122	280319	Spacer	240	394358	Filter-Fuel	725	280866	Shield-Heat
161	496599	Base-Air Cleaner	257	93897	Screw-Slotted Hex.	918	393815	Hose-Vacuum (Cylinder-To-Impulse Pump). (Cut to Required Length)
165	94289	Nut-Wing	284A	94264	Screw-Slotted Hex.			
187	299146	Line-Fuel (Cut to Required Length)	445	394019	Filter-Air			
			534	94823	Screw-Slotted Hex.			
			535	272490	Filter-Air			

★ Included in Gasket Set-Part No. 495868.

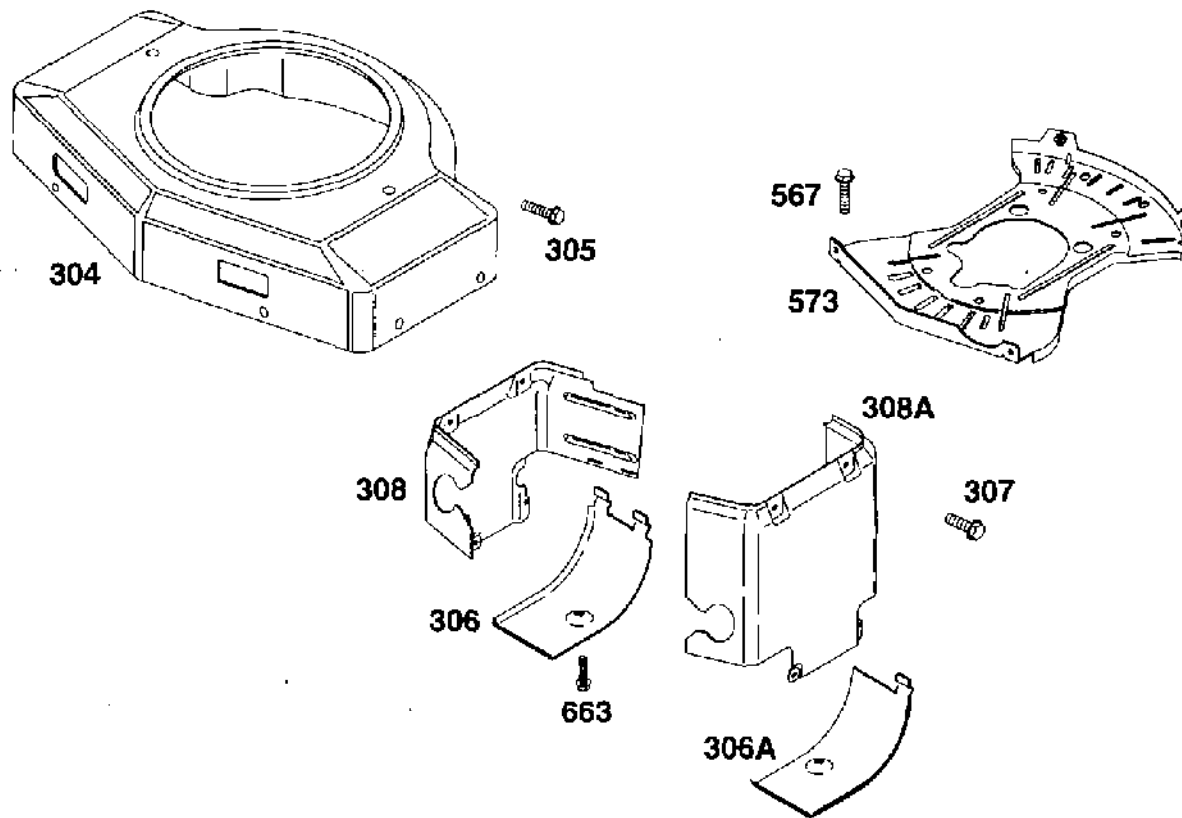
● Included in Carburetor Kit-Part No. 491539.

■ Included in Pump Repair Kit-Part No. 393397.

∅ Included in Valve Overhaul Gasket Set-Part No. 498047.



# 42C700 to 42C799



REF. NO.	PART NO.	DESCRIPTION	REF. NO.	PART NO.	DESCRIPTION	REF. NO.	PART NO.	DESCRIPTION
304	495588	Housing-Blower	307	94386	Screw-Hex.	567	94811	Screw-Hex.
305	94786	Screw-Hex.	308	224774	Cover-Air Guide	573	491304	Plate-Back
306	222846	Shield-Cylinder	308A	224775	Cover-Air Guide	663	93343	Screw-Hex.
306A	223734	Shield-Cylinder						

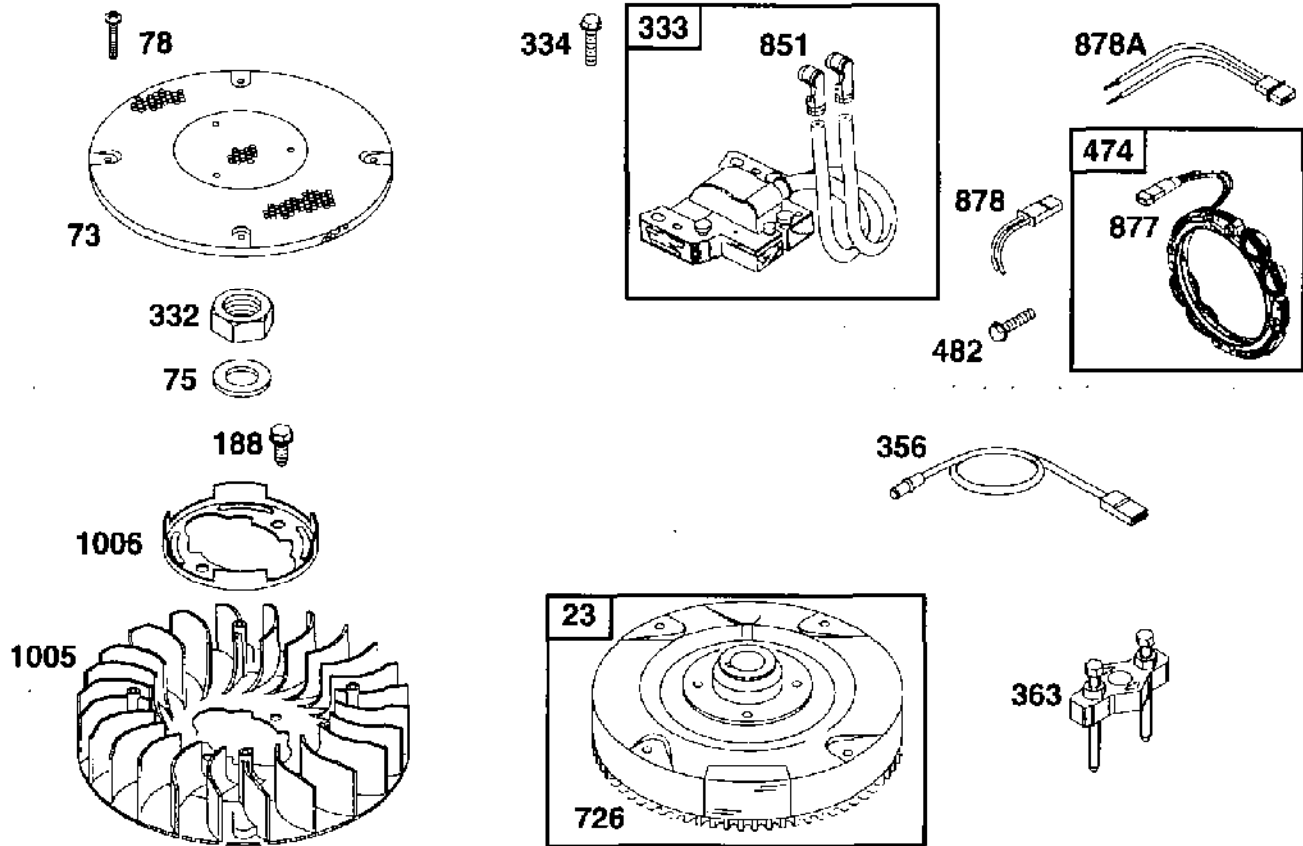
★ Included in Gasket-Set-Part No. 495868.

● Included in Carburetor Kit-Part No. 491539.

■ Included in Pump Repair Kit-Part No. 393397.

∅ Included in Valve Overhaul Gasket Set-Part No. 498047.



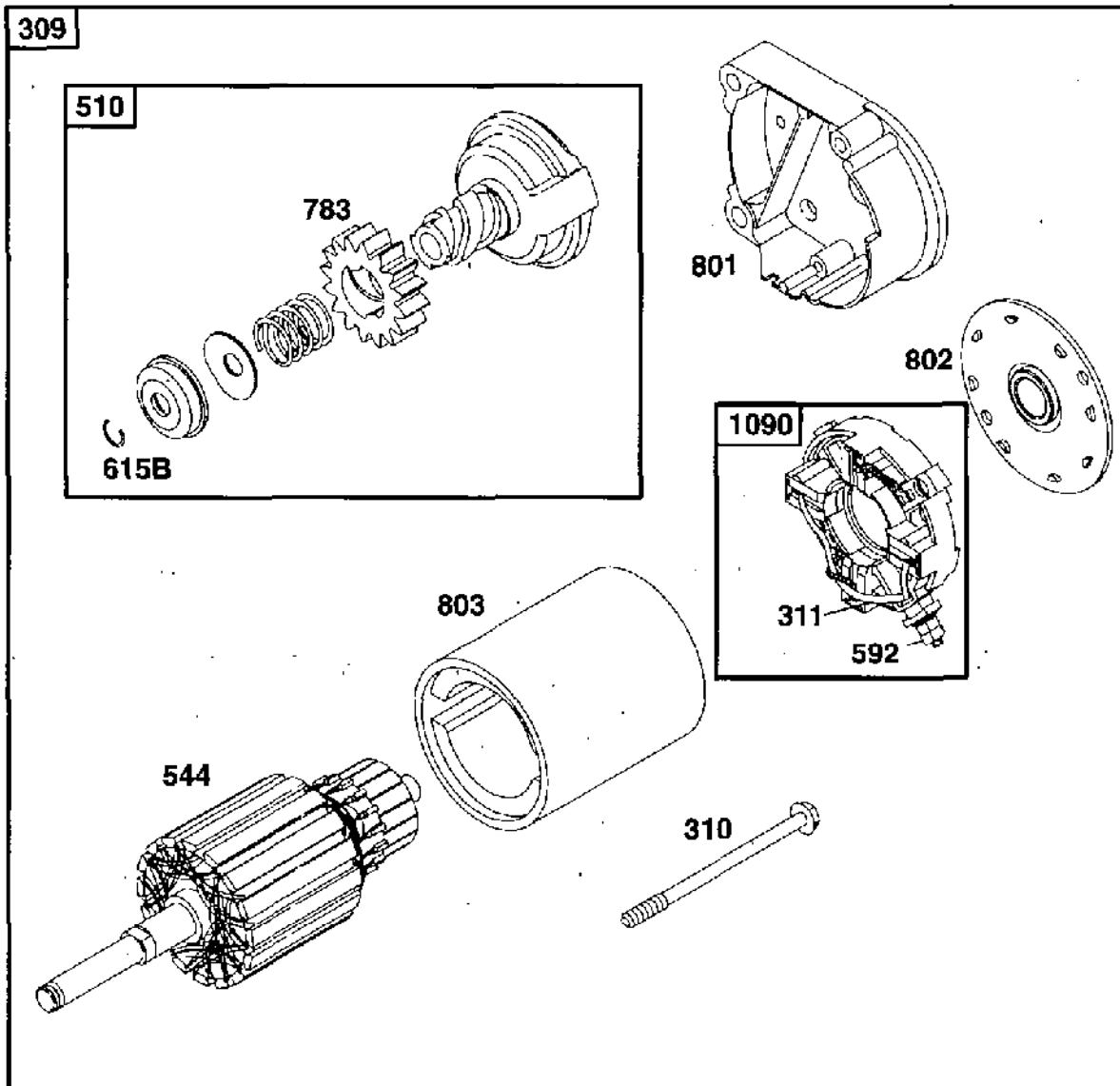


REF. NO.	PART NO.	DESCRIPTION	REF. NO.	PART NO.	DESCRIPTION	REF. NO.	PART NO.	DESCRIPTION
23	491180	Flywheel	334	94731	Screw-Hex.	851	493680	Terminal-Cable
73	224521	Screen-Rotating	356	494705	Wire-Stop	877	393456	Wire-Alternator
75	222511	Washer-Spring	363	19203	Flywheel Puller	878	393362	Harness-Alternator
78	94834	Screw-Torx®	474	393474	Alternator	878A	399916	Harness-Alternator
188	94627	Screw-Hex.	482	93621	Screw-Hex.	1005	498157	Fan-Flywheel
332	230674	Nut-Flywheel	726	391362	Gear-Ring (Includes Mtg. Parts)	1006	224413	Retainer-Fan
333	394891	Armature-Magneto						

★ Included in Gasket Set-Part No. 495868.  
 ● Included in Carburetor Kit-Part No. 491539.  
 ■ Included in Pump Repair Kit-Part No. 393397.

⊗ Included in Valve Overhaul Gasket Set-Part No. 498047.

# 42C700 to 42C799



REF. NO.	PART NO.	DESCRIPTION	REF. NO.	PART NO.	DESCRIPTION	REF. NO.	PART NO.	DESCRIPTION
309	497596	Motor-Starter	556	93585	Screw-Hex.	801	394860	Cap-Drive
310	94003	Screw-Hex.	592	92278	Nut-Hex.	802	497607	Cap-End
311	497608	Brush Set	615B	263080	Retainer	803	497604	Housing-Starter
510	497606	Drive-Starter	783	280104	Gear-Starter	1090	497605	Retainer-Brush
544	497603	Armature-Starter						

\* Included in Gasket Set-Part No. 495868.

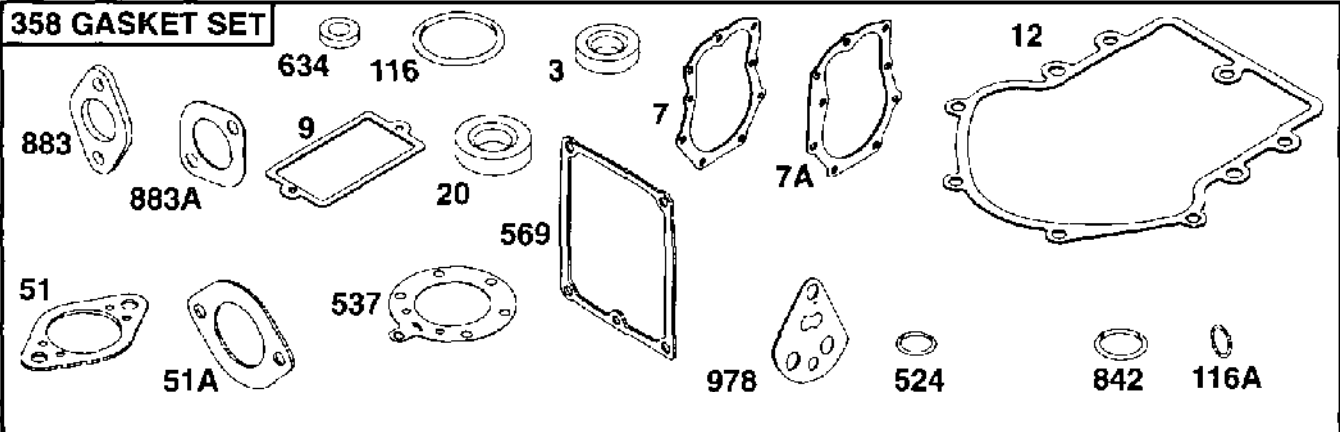
● Included in Carburetor Kit-Part No. 491539.

■ Included in Pump Repair Kit-Part No. 393397.

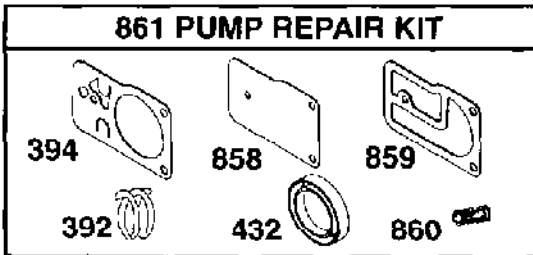
∅ Included in Valve Overhaul Gasket Set-Part No. 498047.

# 42C700 to 42C799

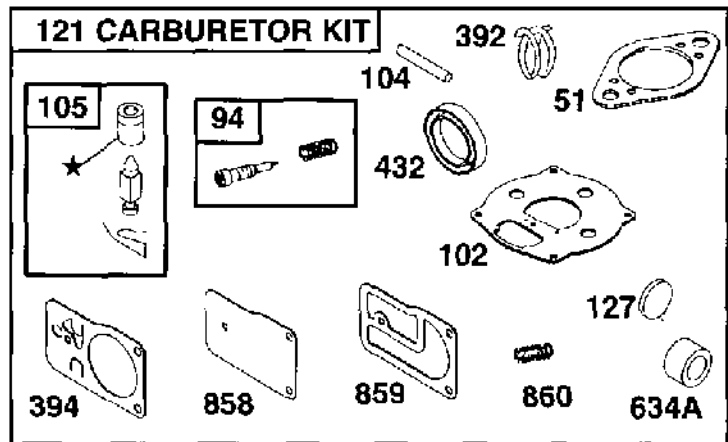
## 358 GASKET SET



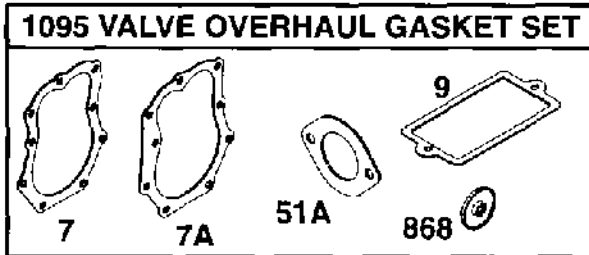
## 861 PUMP REPAIR KIT



## 121 CARBURETOR KIT



## 1095 VALVE OVERHAUL GASKET SET



★ **REQUIRES SPECIAL TOOLS TO INSTALL. SEE REPAIR INSTRUCTION MANUAL.**

REF. NO.	PART NO.	DESCRIPTION	REF. NO.	PART NO.	DESCRIPTION	REF. NO.	PART NO.	DESCRIPTION
3	★391086	Seal-Oil	102	○271607	Gasket-Carburetor Body	569	★272645	Gasket-Base
7	○★271867	Gasket-Cyl. Head #1	104	○230896	Pin-Float Hinge	634	★491287	Seal-Governor Shaft
7A	○★271868	Gasket-Cyl. Head #2	105	○394683	Valve-Needle	634A	○271013	Washer-Foam
9	○★27803	Gasket-Breather	116	★280801	Seal-O-Ring	842	★270920	Seal-O-Ring
12	★271703	Gasket-Crankcase (.015" Thick, Std.)	116A	★280474	Seal-O-Ring	858	○270989	Diaphragm-Carburetor
	★271188	Gasket-Crankcase (.005" Thick)	121	491539	Carburetor Kit	859	○271025	Gasket-Pump
	★271189	Gasket-Crankcase (.009" Thick)	127	○223472	Plug-Welch	860	○261358	Spring-Diaphragm
20	★291675	Seal-Oil	358	495868	Gasket Set	861	393397	Kit-Fuel Pump
51	★○271412	Gasket-Intake	392	○261395	Spring-Pump Diaphragm	868	○497212	Seal-Valve
51A	○★270884	Gasket-Intake	394	○272638	Diaphragm-Carburetor	883	★272250	Gasket-Exhaust
94	★491538	Valve-Idle Adjustment	432	○221377	Cap-Spring	883A	★272293	Gasket-Exhaust
			524	★271157	Seal-O-Ring	978	★272060	Gasket
			537	★○271411	Gasket-Air Cleaner	1095	498047	Gasket Set-Valve Overhaul

★ Included in Gasket Set-Part No. 495868.

● Included in Carburetor Kit-Part No. 491539.

■ Included in Pump Repair Kit-Part No. 393397.

○ Included in Valve Overhaul Gasket Set-Part No. 498047.

