

# Illustrated Parts List

## Model Series

### 432400 to 432499

### DIESEL

TYPE NUMBERS  
0205.

**TO FIND**  
**THE CORRECT NUMBER OF THE PART YOU NEED:**  
**FOLLOW THE INSTRUCTIONS BELOW**

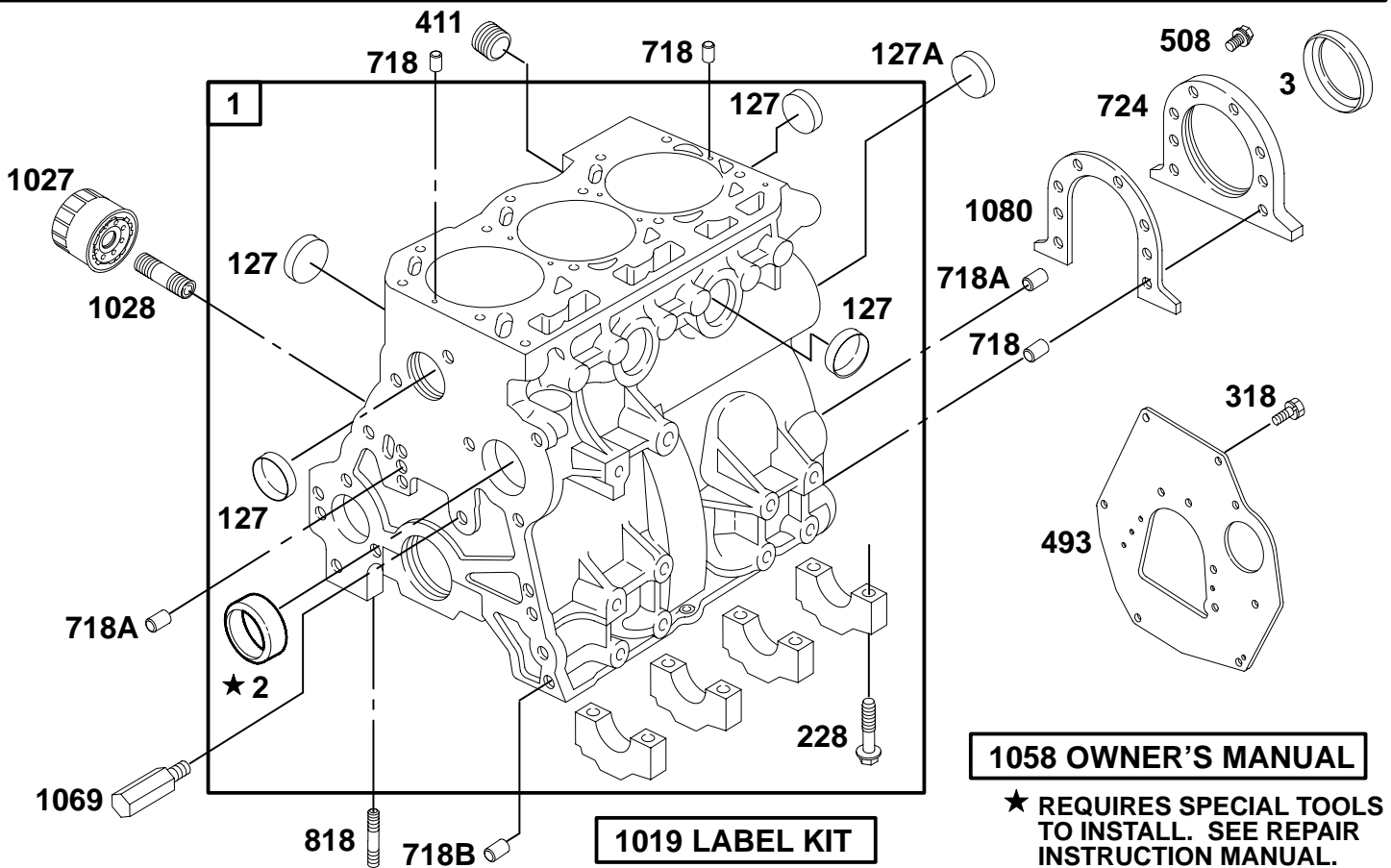
- A. Refer to Model, Type and Code Number that is located on the engine. Engine type numbers such as 0123 01 are listed only as 0123 in most instances. The two digits (01 or 02, etc.) to the right of the space may be required for more accurate parts identification in some instances. Select the Illustrated Parts List covering the correct Model Series and Type Number.
- B. Refer to the Illustrations and compare the original part with Illustration. The number next to the illustration is the Reference Number. Assemblies include all parts shown in frames. All parts shown in assembly frames having individual reference numbers can be purchased separately.
- C. After the Reference Number has been identified, refer to the Numerical text, where Reference and Primary Part Number are listed. **THE PRIMARY PART IS USED ON ALL TYPE NUMBERS EXCEPT THOSE TYPE NUMBERS UNDER "NOTE."**
- D. If a "Note" appears below the Primary Part Number, it means that this part differs from the Primary Part for certain types. If your Type number is listed under "Note," order the part referred to at the "Note."
- E. If your Engine Type Number does not appear after any part number listed under "Note," use the Primary Part Number.
- F. For Engine Type Numbers not covered by this book, check other Parts Lists having the same engine model or contact your source of supply.

PRINTED IN U.S.A.



COPYRIGHT by BRIGGS & STRATTON DAIHATSU LLC  
All rights reserved. No part of this material may be reproduced or transmitted, in any form or by any means, electronic or mechanical, including photocopying, recording or by any information storage and retrieval system, without permission in writing from Briggs & Stratton DAIHATSU LLC.

# 432400 to 432499



REF. NO.	PART NO.	DESCRIPTION	REF. NO.	PART NO.	DESCRIPTION	REF. NO.	PART NO.	DESCRIPTION
1	▽ 825333	Cylinder Assembly	318	820176	Screw (Mounting Bracket)	724	▽ 820146	Seal Retainer
2	▽ 820129	Bushing	411	▽ 820375	Plug (Cylinder Block)	818	820016	Stud (Oil Pump Screen)
3	★820056	Oil Seal	493	▽ 820170	Mounting Bracket	1019	825228	Label Kit (Identification Labels)
127	820004	Welch Plug (Camshaft)	508	820031	Screw (Seal Retainer)	1027	820314	Oil Filter
127A	▽ 820151	Welch Plug (Camshaft)	718	820063	Locating Pin	1028	820050	Oil Filter Adapter
228	820042	Screw (Bearing Support)	718A	820062	Locating Pin	1058	820293	Owner's Manual
			718B	820061	Locating Pin	1069	▽ 820102	Oil Nozzle
						1080	★820145	Retainer Gasket

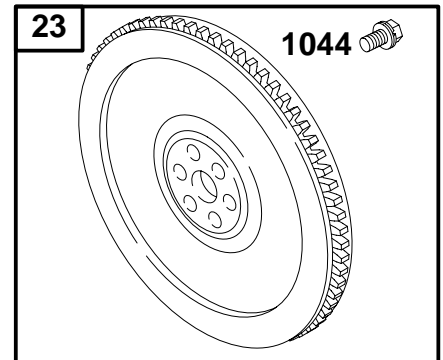
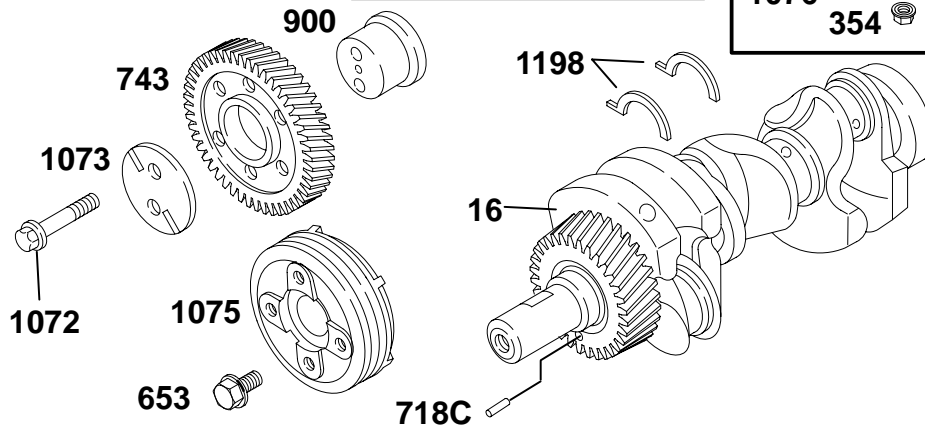
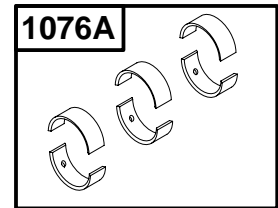
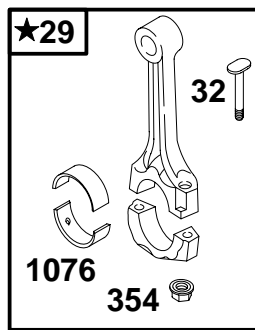
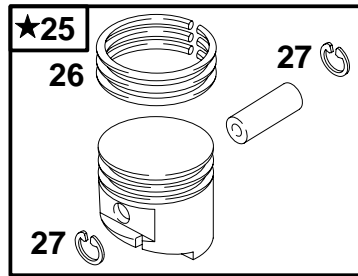
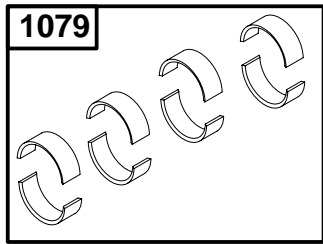
▽ Refer To Repair Manual MS 1055 For Assembly and/or Torque Requirements.

★ Included in Engine Gasket Set – Ref. No. 358

△ Included in Valve Overhaul Kit – Ref. No. 1033

# 432400 to 432499

★ **REQUIRES SPECIAL TOOLS TO INSTALL. SEE REPAIR INSTRUCTION MANUAL.**



REF. NO.	PART NO.	DESCRIPTION	REF. NO.	PART NO.	DESCRIPTION	REF. NO.	PART NO.	DESCRIPTION
16	▽ 825345	Crankshaft	718C	820059	Locating Pin	1079	▽ 825040	Main Bearing Set (Standard)
23	▽ 825303	Flywheel	743	▽ 820611	Drive Gear			<b>Note</b>
25	▽ 825352	Piston Assembly (Standard)	900	▽ 820116	Gear Shaft		▽ 825039	Main Bearing Set (.010 Undersize)
		<b>Note</b>	1044	820080	Screw (Flywheel)			
		825353 Piston Assy. (.010 Oversize)	1072	820081	Screw (Idler Gear Plate)	1198	▽ 820140	Thrust Washer (Crankshaft) (Standard)
26	▽ 825164	Ring Set (Standard)	1073	820117	Idler Gear Plate			<b>Note</b>
		<b>Note</b>	1075	820236	Crankshaft Pulley		▽ 820139	Thrust Washer (Crankshaft) (.005 Oversize)
		825165 Ring Set (.010 Oversize)	1076	▽ 820142	Rod Bearing (Standard)			
27	820402	Piston Pin Lock	1076A	▽ 825019	Rod Bearing (Standard)			
29	▽ 825171	Connecting Rod			Includes 3 Sets			
32	▽ 820128	Screw (Connecting Rod)			<b>Note</b>			
354	820073	Nut (Connecting Rod)			▽ 825060			Rod Bearing Set (.010 Undersize) (Includes 3 Sets)
653	820079	Screw (Crankshaft Pulley)						

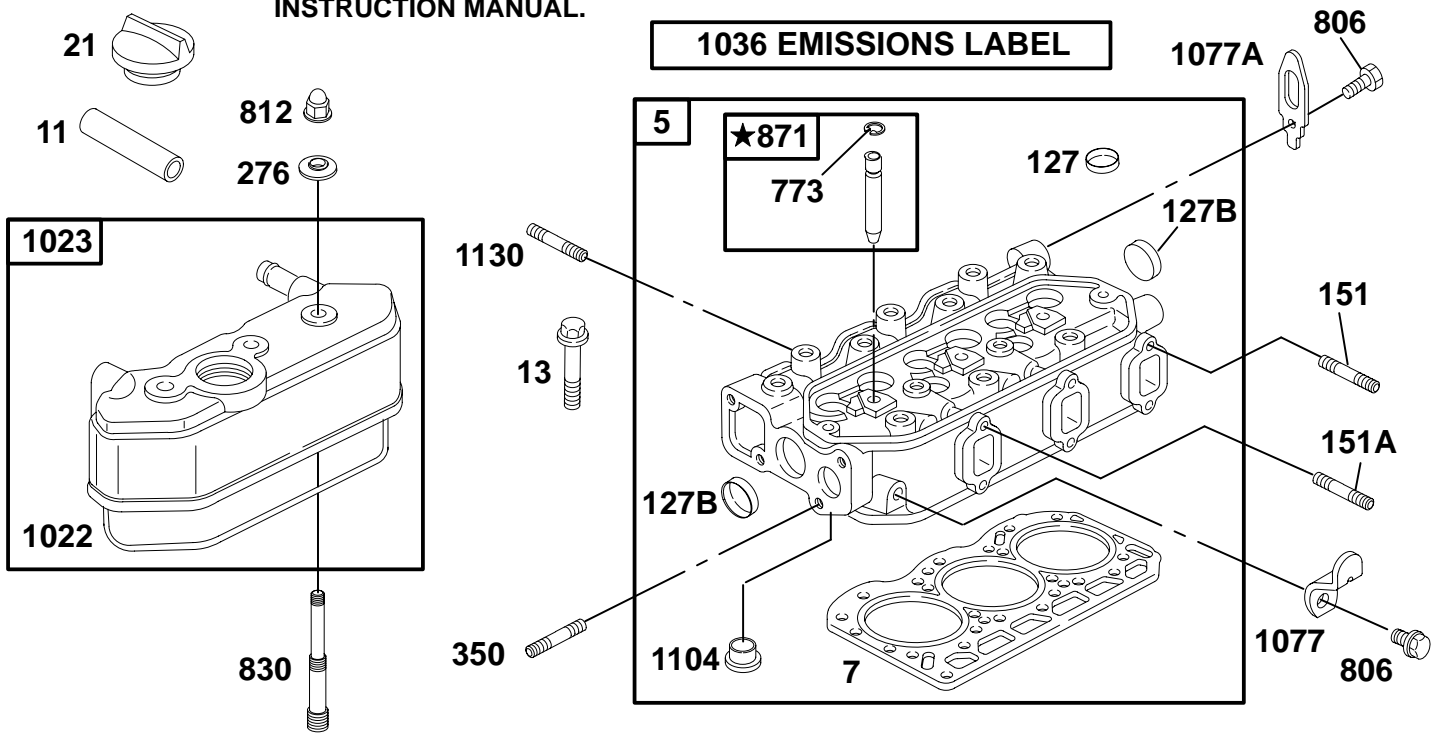
▽ Refer To Repair Manual MS 1055 For Assembly and/or Torque Requirements.

★ Included in Engine Gasket Set – Ref. No. 358

△ Included in Valve Overhaul Kit – Ref. No. 1033

# 432400 to 432499

★ REQUIRES SPECIAL TOOLS TO INSTALL. SEE REPAIR INSTRUCTION MANUAL.

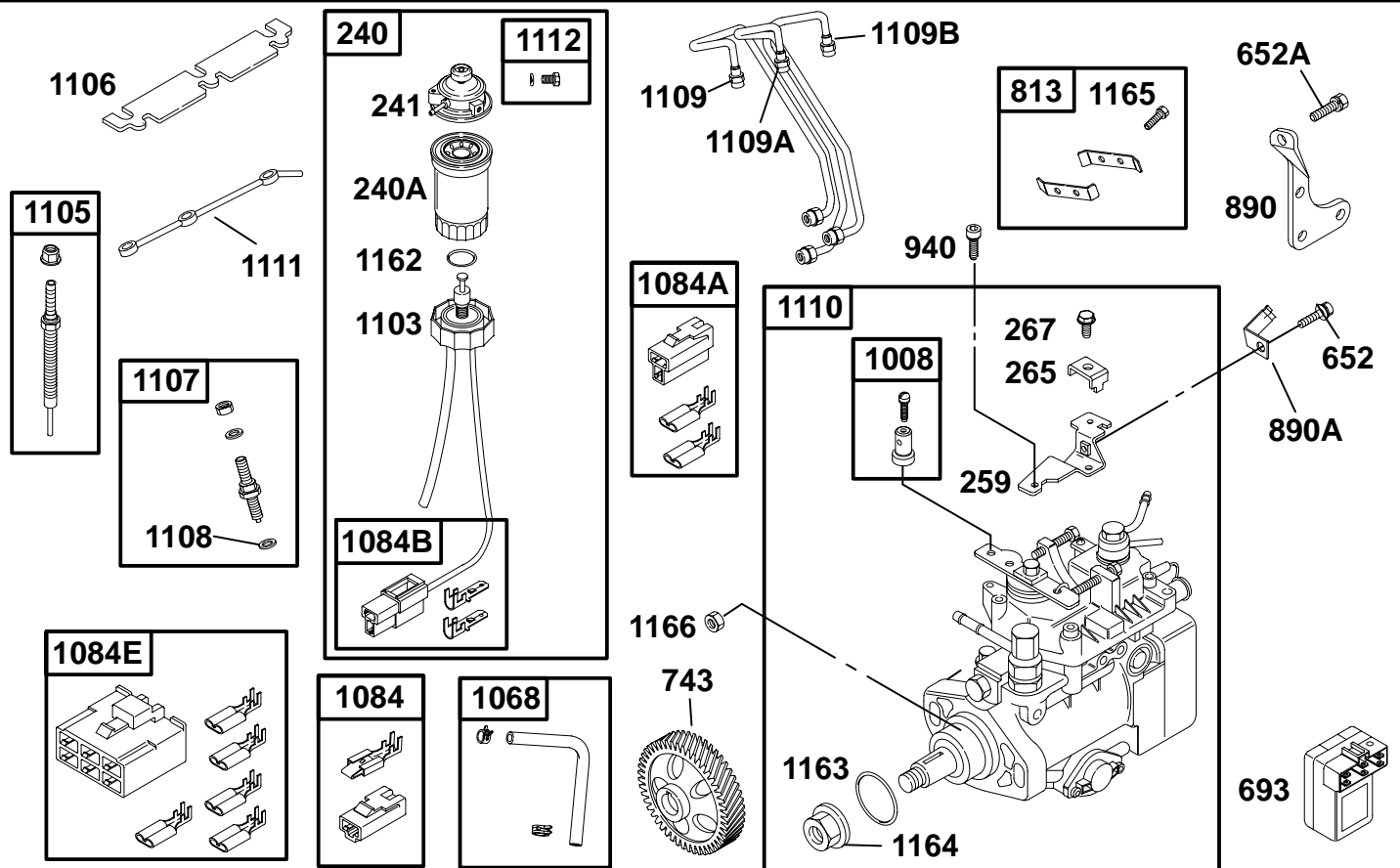


REF. NO.	PART NO.	DESCRIPTION	REF. NO.	PART NO.	DESCRIPTION	REF. NO.	PART NO.	DESCRIPTION
5	▽ 825343	Cylinder Head	151A	820466	Stud (Exhaust Manifold)	830	820076	Stud (Rocker Arm)
7	★△ 820658	Cylinder Head Gasket	276	★△ 820064	Sealing Washer	871	▽ 825030	Guide Bushing
11	820380	Breather Tube	350	820078	Stud (Water Pump)	1022	★△ 820150	Rocker Cover Gasket
13	820623	Screw (Cylinder Head)	773	820130	Retainer (Lifting Bracket)	1023	825088	Rocker Cover
21	825024	Oil Fill Cap	806	820212	Screw (Lifting Bracket)	1036	825225	Emissions Label
127	820005	Welch Plug	812	820071	Nut (Rocker Arm Cover)	1077	820260	Lifting Bracket
127B	820004	Welch Plug				1077A	820254	Lifting Bracket
151	820014	Stud (Exhaust Manifold)				1104	820821	Combustion Chamber
						1130	820015	Stud (Intake Manifold)

▽ Refer To Repair Manual MS 1055 For Assembly and/or Torque Requirements.

★ Included in Engine Gasket Set – Ref. No. 358

△ Included in Valve Overhaul Kit – Ref. No. 1033



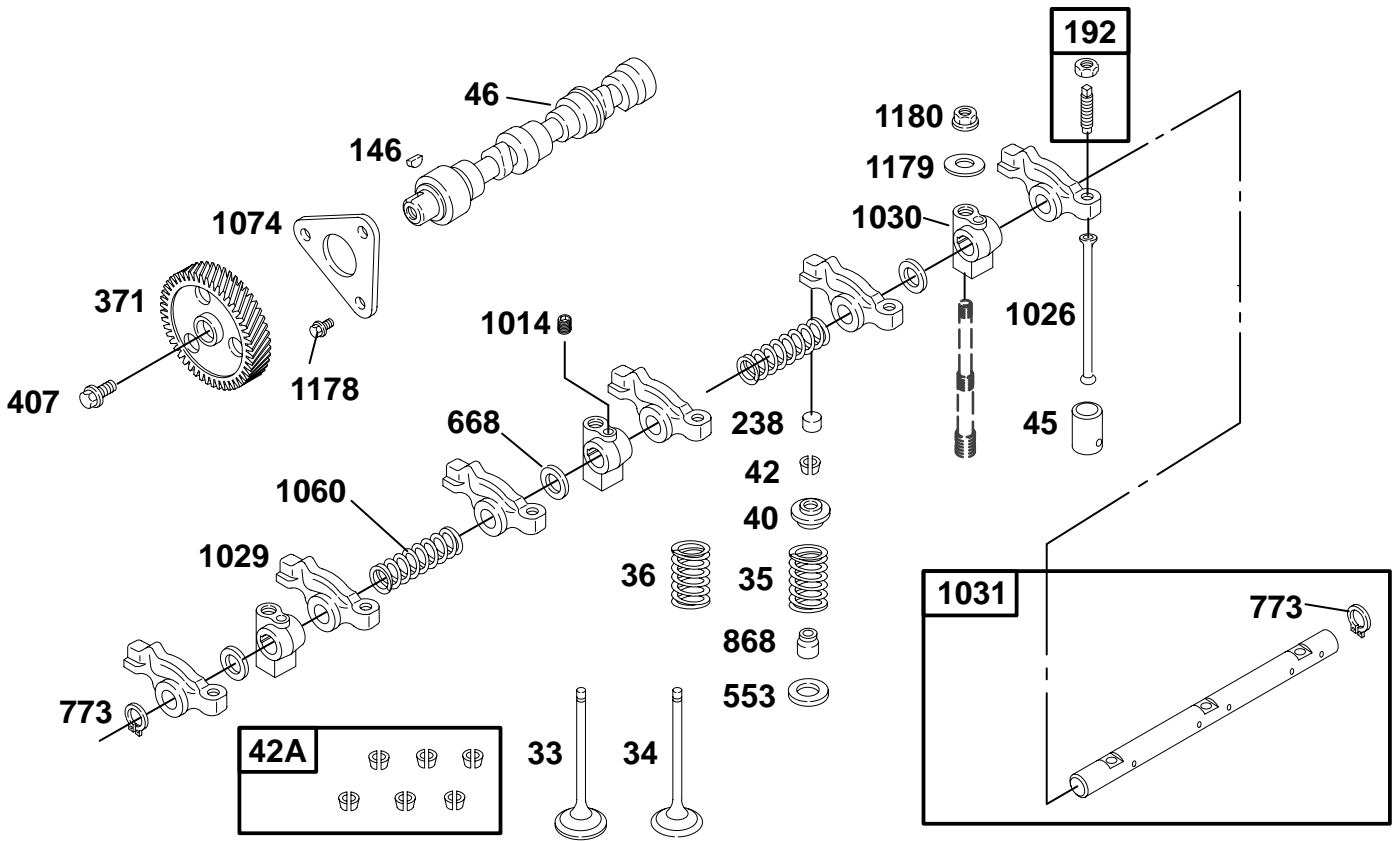
REF. NO.	PART NO.	DESCRIPTION	REF. NO.	PART NO.	DESCRIPTION	REF. NO.	PART NO.	DESCRIPTION
240	825219	Fuel Filter	940	820640	Screw (Casing Clamp Bracket)	1108	820411	Injector Seat
240A	820311	Fuel Filter	1008	820467	Swivel Clamp	1109	825181	Injector Pipe #1
241	820344	Filter Cover	1068	825179	Hose/Clamp Assembly (Fuel Return)	1109A	825182	Injector Pipe #2
259	820634	Casing Clamp Bracket	1084	825266	Terminal Connector (Injection Pump)	1109B	825183	Injector Pipe #3
265	820225	Casing Clamp	1084A	825157	Terminal Connector (Fuel Filter–Male)	1110	825430	Injection Pump
267	820229	Screw (Casing Clamp)	1084B	825156	Terminal Connector (Fuel Filter–Female)	1111	820412	Fuel Return Pipe
652	820592	Screw (Support Bracket)	1084E	825162	Terminal Connector (Pre–Heat Timer)	1112	825198	Vent Plug
652A	820272	Screw (Support Bracket)	1103	820347	Fuel Filter Sensor	1162	820348	O-Ring Seal (Fuel Filter Sensor)
693	820373	Module (Pre–Heat Timer)	1105	825176	Glow Plug	1163	820414	O-Ring Seal (Injection Pump Shaft)
743	820619	Drive Gear	1106	820409	Glow Plug Strap	1164	820419	Nut (Injection Pump Shaft)
813	825197	Clamp	1107	825178	Injector Nozzle	1166	820417	Nut (Injection Pump)
890	820415	Support Bracket				1165	820031	Screw (Clamp)
890A	820479	Support Bracket						

▽ Refer To Repair Manual MS 1055 For Assembly and/or Torque Requirements.

★ Included in Engine Gasket Set – Ref. No. 358

△ Included in Valve Overhaul Kit – Ref. No. 1033

# 432400 to 432499

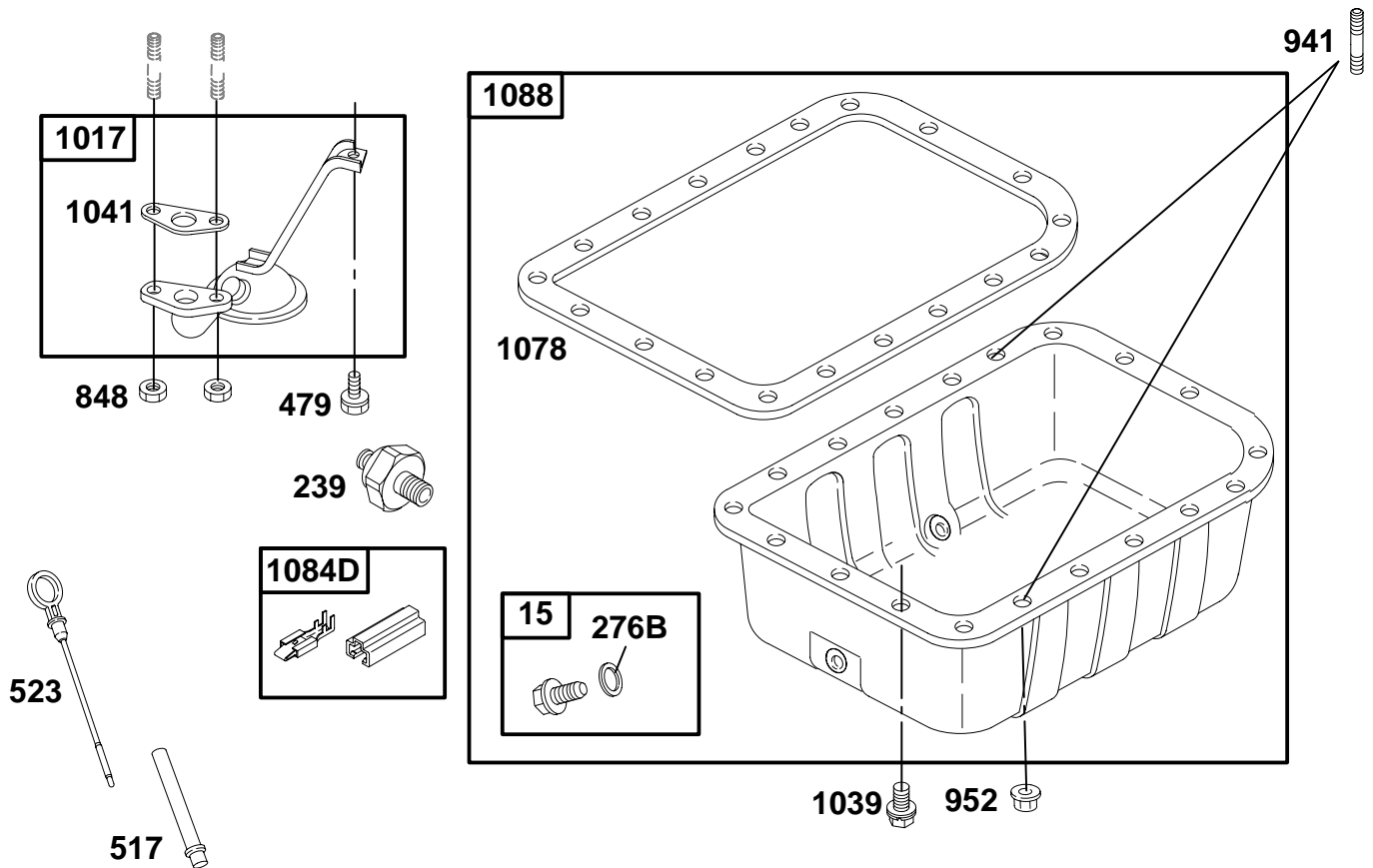


REF. NO.	PART NO.	DESCRIPTION	REF. NO.	PART NO.	DESCRIPTION	REF. NO.	PART NO.	DESCRIPTION
33	820404	Exhaust Valve	46	820388	Cam Shaft	1026	820109	Push Rod
34	820403	Intake Valve	146	691639	Timing Key	1029	▽ 820387	Rocker Arm
35	820406	Valve Spring (Intake)	192	825041	Rocker Arm Adjuster	1030	▽ 820106	Rocker Arm Support
36	820406	Valve Spring (Exhaust)	238	820113	Valve Cap	1031	▽ 825093	Rocker Arm Shaft
40	820111	Valve Retainer	371	820613	Cam Gear	1060	▽ 820044	Rocker Shaft Spring
42	825042	Valve Keeper (Contains 1 Set)	407	820075	Screw (Cam Gear)	1074	820118	Camshaft Retainer
42A	825082	Valve Keeper (Contains 6 Sets)	553	820112	Valve Spring Retainer	1178	820032	Screw (Camshaft Retainer)
45	820110	Valve Tappet	668	▽ 820065	Rocker Shaft Spacer	1179	820177	Washer (Rocker Arm Support)
			773	820003	Retainer	1180	820070	Nut (Rocker Arm Support)
			868	820405	Valve Seal			
			1014	820105	Screw (Rocker Arm Support)			

▽ Refer To Repair Manual MS 1055 For Assembly and/or Torque Requirements.

★ Included in Engine Gasket Set – Ref. No. 358

△ Included in Valve Overhaul Kit – Ref. No. 1033

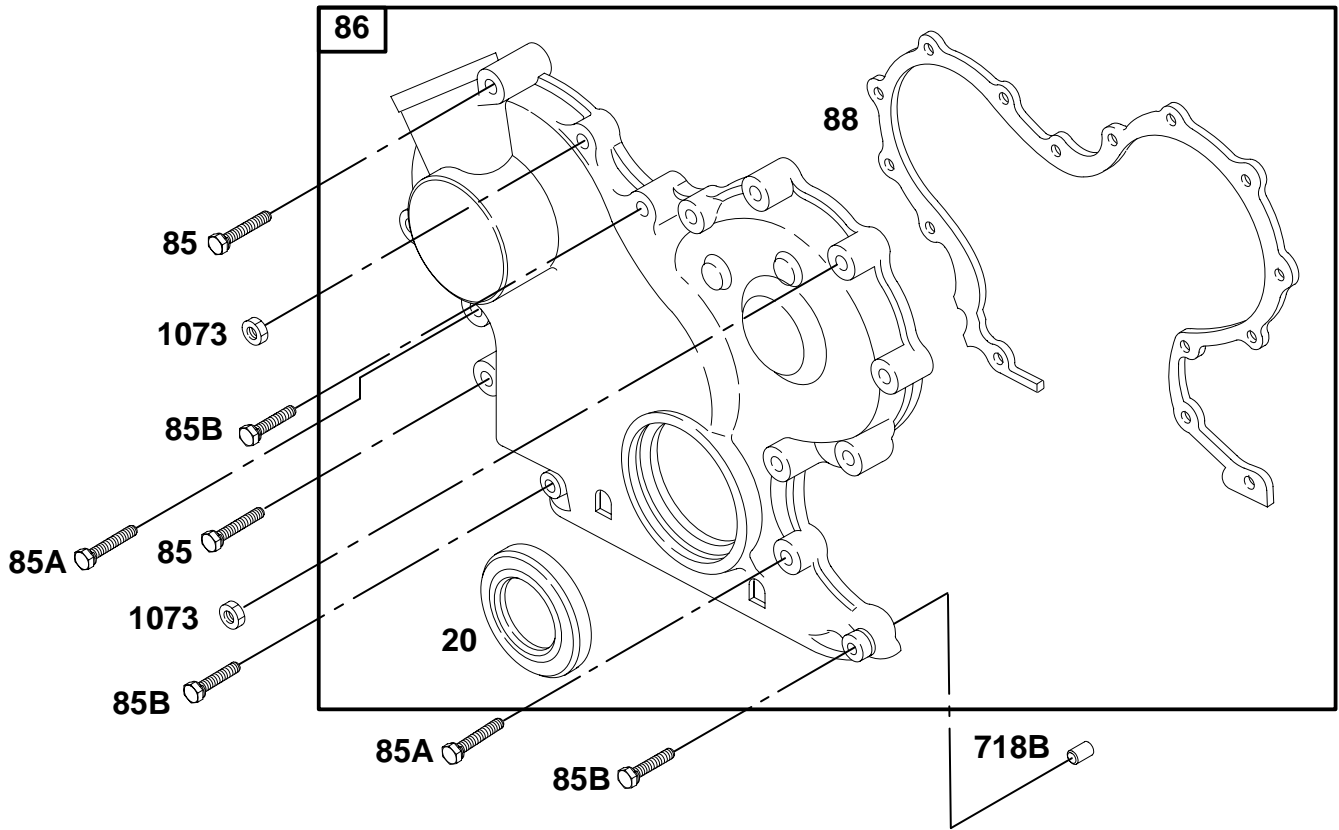


REF. NO.	PART NO.	DESCRIPTION	REF. NO.	PART NO.	DESCRIPTION	REF. NO.	PART NO.	DESCRIPTION
15	825278	Oil Drain Plug (16 mm Dia. Plug, Requires 2 For Dual Drain Oil Pans)	479	820034	Screw (Oil Pump Screen)	1039	820034	Screw (Oil Pan)
239	825000	Oil Pressure Switch	517	820144	Dipstick Tube	1041	★820104	Oil Pump Screen Gasket
276B	★820582	Sealing Washer (16 mm Dia. Plug, Requires 2 For Dual Drain Oil Pans)	523	820103	Dipstick	1078	★820137	Oil Pan Gasket
			848	820069	Nut (Oil Pump Screen)	1084D	825154	Connector (Oil Pressure Switch)
			941	820017	Stud (Oil Pan)	1088	▽ 825285	Oil Pan (Dual Drain-16 mm Dia. Plugs)
			952	820068	Nut (Oil Pan)			
			1017	▽ 825089	Oil Pump Screen			

▽ Refer To Repair Manual MS 1055 For Assembly and/or Torque Requirements.

★ Included in Engine Gasket Set – Ref. No. 358

△ Included in Valve Overhaul Kit – Ref. No. 1033



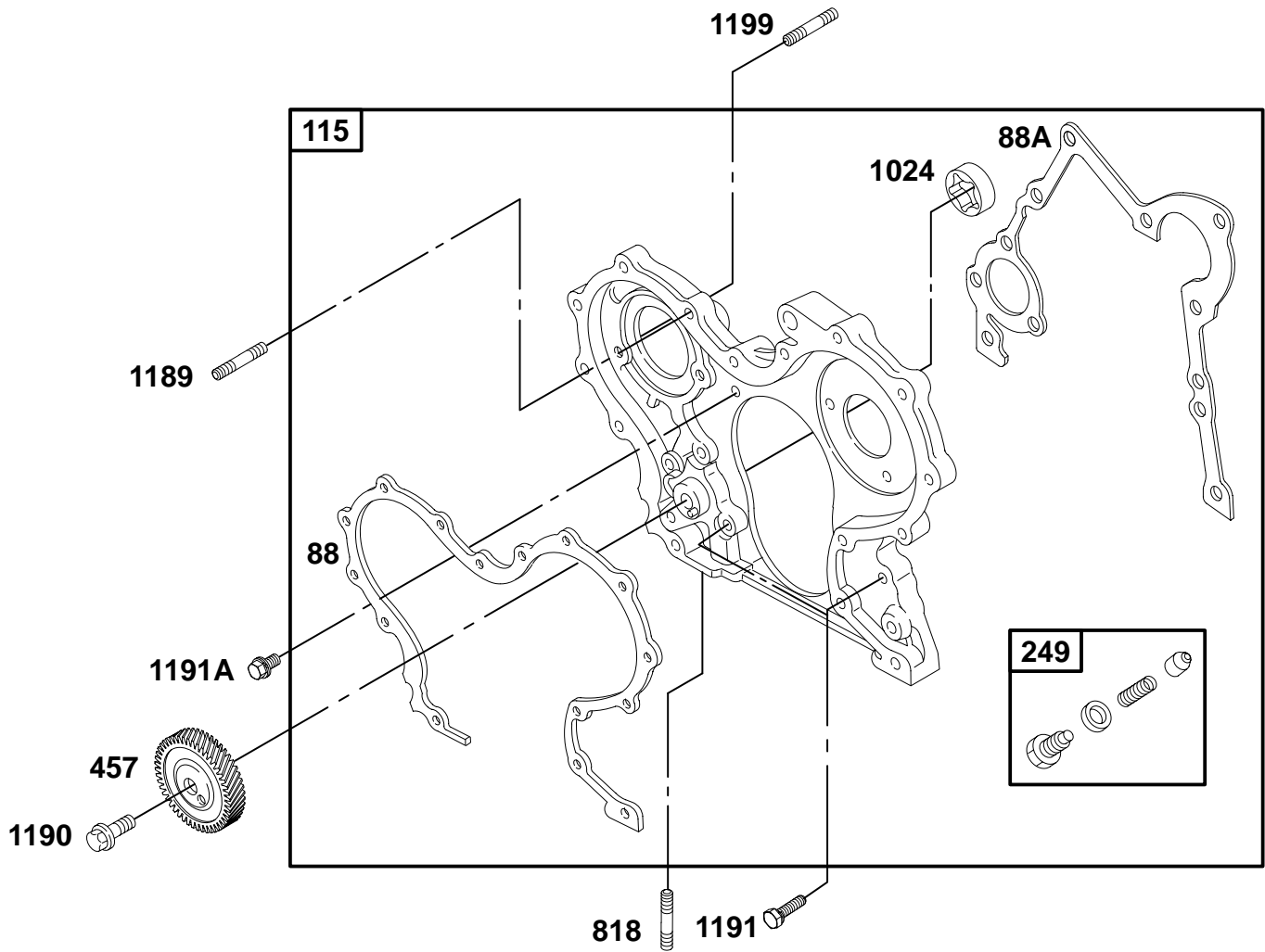
REF. NO.	PART NO.	DESCRIPTION	REF. NO.	PART NO.	DESCRIPTION	REF. NO.	PART NO.	DESCRIPTION
20	★820055	Oil Seal	85A	820029	Screw (Gear Cover Assembly)	86	▽ 825185	Gear Cover Assembly
85	820425	Screw (Gear Cover Assembly)	85B	820027	Screw (Gear Cover Assembly)	88	★820377	Gear Cover Gasket
						718B	820061	Locating Pin
						1073	820069	Nut (Gear Cover Assembly)

▽ Refer To Repair Manual MS 1055 For Assembly and/or Torque Requirements.

★ Included in Engine Gasket Set – Ref. No. 358

△ Included in Valve Overhaul Kit – Ref. No. 1033





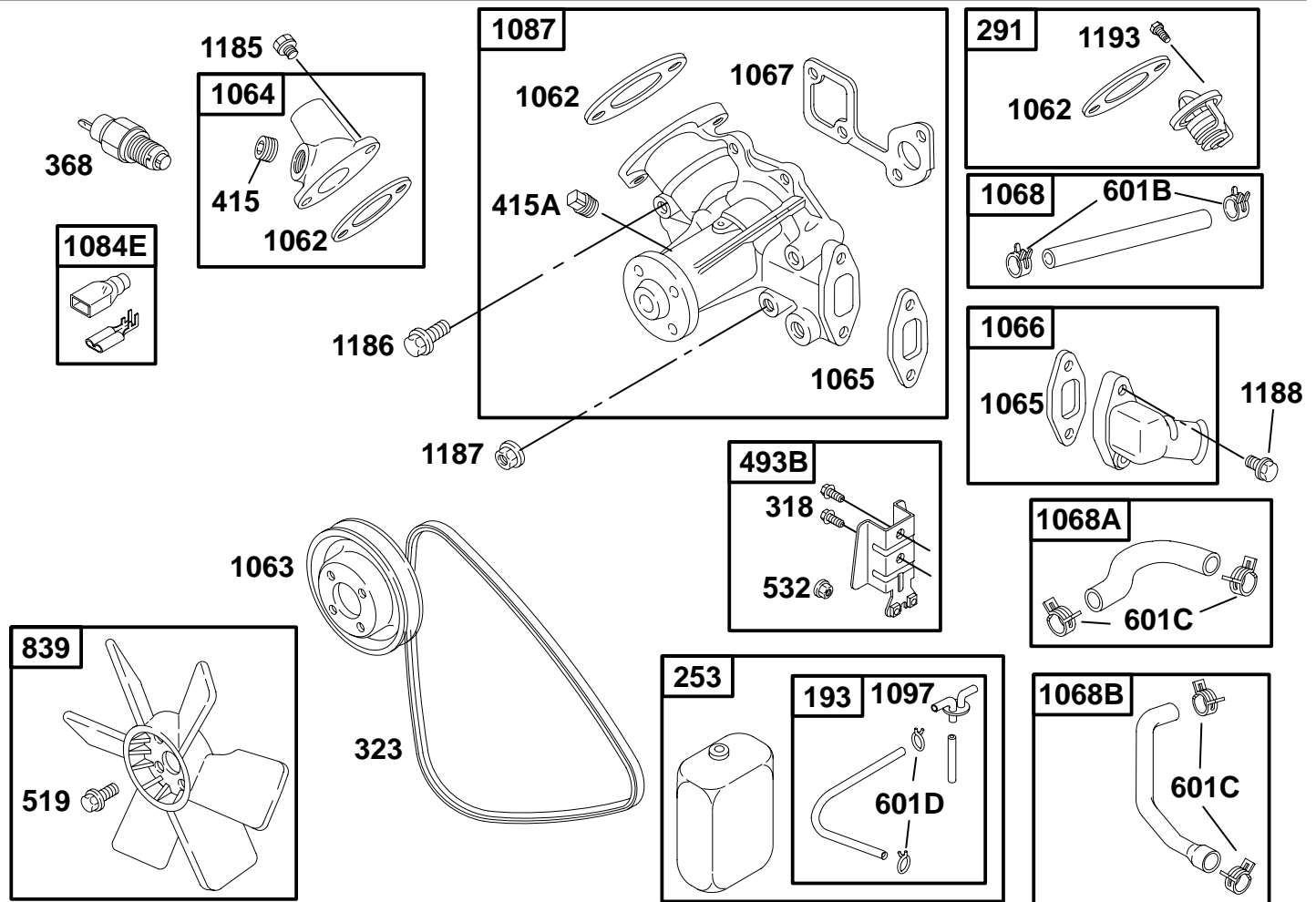
REF. NO.	PART NO.	DESCRIPTION	REF. NO.	PART NO.	DESCRIPTION	REF. NO.	PART NO.	DESCRIPTION
88	★820377	Gear Cover Gasket	1024		Oil Pump (Sold in Gear Hsg. Only, Ref 115)	1191	820030	Screw (Gear Housing)
88A	★820155	Gear Cover Gasket	1189	820156	Stud (Gear Housing)	1191A	820033	Screw (Gear Housing)
115	▽ 825186	Gear Housing	1190	820180	Screw (Oil Pump Drive Gear)	1199	820426	Stud (Injector Pump)
249	▽ 825032	Oil Relief Valve						
457	▽ 820615	Oil Pump Drive Gear						
818	820016	Stud (Oil Filter Screen)						

▽ Refer To Repair Manual MS 1055 For Assembly and/or Torque Requirements.

★ Included in Engine Gasket Set – Ref. No. 358

△ Included in Valve Overhaul Kit – Ref. No. 1033

# 432400 to 432499

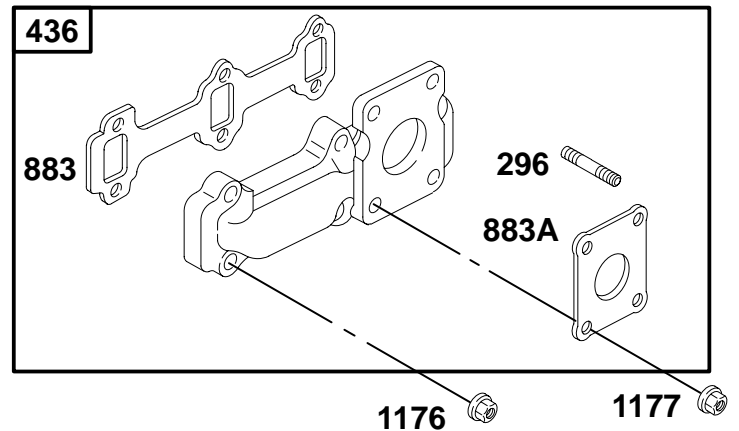
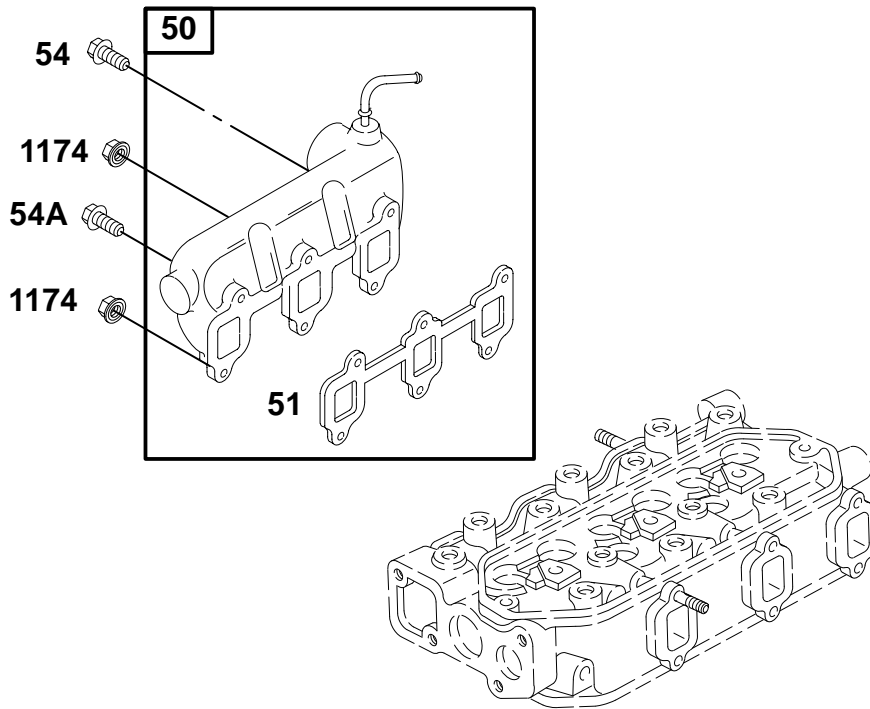


REF. NO.	PART NO.	DESCRIPTION	REF. NO.	PART NO.	DESCRIPTION	REF. NO.	PART NO.	DESCRIPTION
193	825427	Reserve Tank Hose (Cut Hose To Length)	532	820011	Nut (Mounting Bracket)	1084E	825160	Terminal Connector (Water Temperature Switch )
253	825428	Reserve Tank	601B	820045	Hose Clamp	1087	▽ 825265	Water Pump
291	825064	Thermostat	601C	820256	Hose Clamp	1097	▽ 820287	Surge Tank Cap
318	820033	Screw (Mounting Bracket)	601D	820257	Hose Clamp	1185	820031	Screw (Outlet Housing)
323	▽ 820239	Vee Belt	839	▽ 825223	Radiator Fan	1186	820022	Screw (Water Pump)
368	820208	Water Temperature Switch	1062	★820093	Outlet Housing Gasket	1187	820181	Nut (Water Pump)
415	820052	Plug	1063	820095	Pump Pulley	1188	820031	Screw (Inlet Housing)
415A	820182	Plug	1064	825074	Outlet Housing	1193	820185	Screw (Thermostat)
493D	825314	Mounting Bracket (Radiator Fan)	1065	★820098	Inlet Housing Gasket			
519	820034	Screw (Radiator Fan)	1066	825051	Inlet Housing			
			1067	★820100	Water Pump Gasket			
			1068	825045	Hose/Clamp Assembly			
			1068A	825134	Hose/Clamp Assembly			
			1068B	825133	Hose/Clamp Assembly			

▽ Refer To Repair Manual MS 1055 For Assembly and/or Torque Requirements.

★ Included in Engine Gasket Set – Ref. No. 358

△ Included in Valve Overhaul Kit – Ref. No. 1033



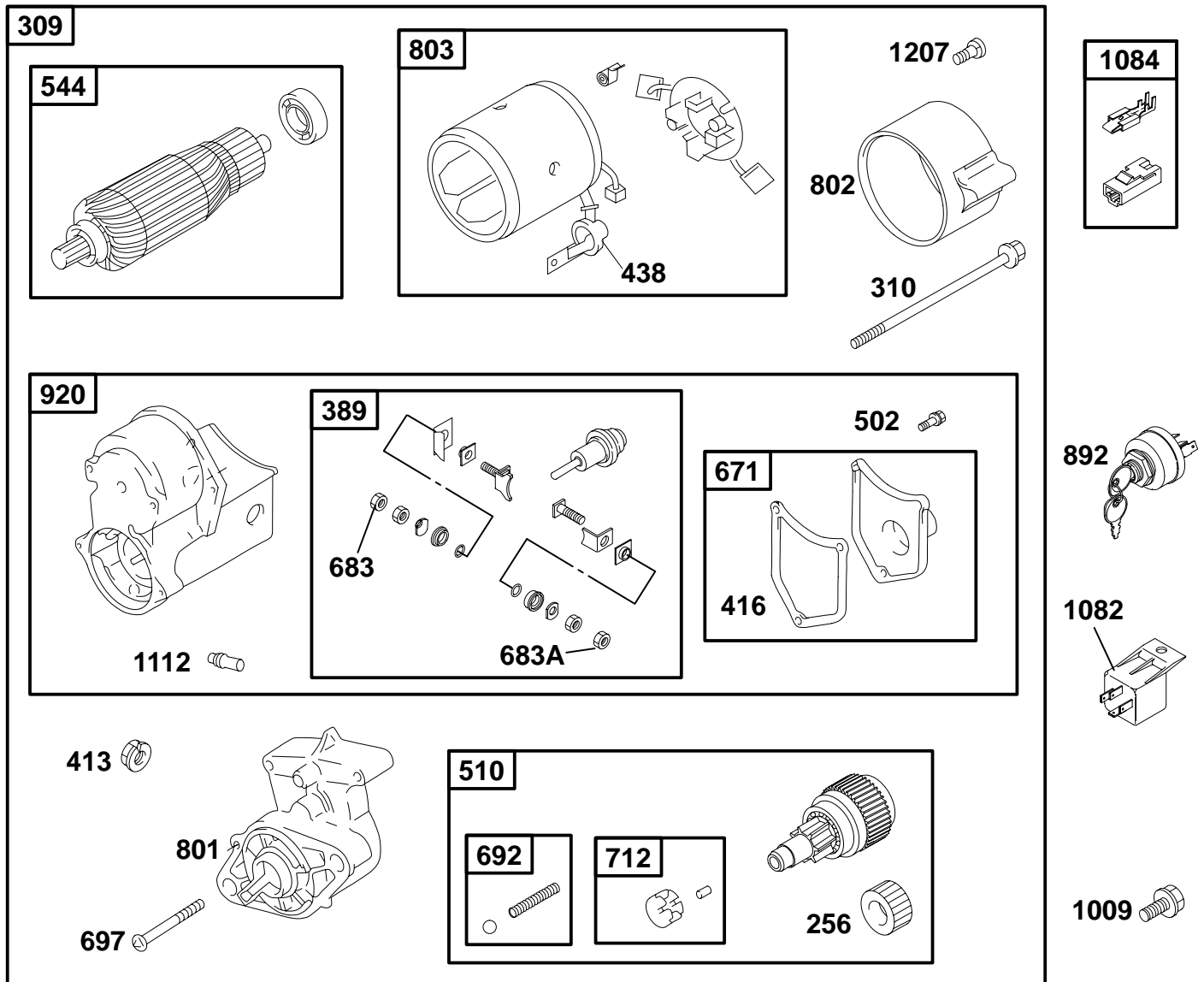
REF. NO.	PART NO.	DESCRIPTION	REF. NO.	PART NO.	DESCRIPTION	REF. NO.	PART NO.	DESCRIPTION
50	▽ 825175	Intake Manifold	296	820584	Stud (Muffler Mounting)	1174	820069	Nut (Intake Manifold)
51	★△ 820407	Intake Gasket	436	▽ 825055	Exhaust Manifold	1176	820010	Nut (Exhaust Manifold)
54	820031	Screw (Intake Manifold)	883	★△ 820817	Exhaust Gasket (Manifold)	1177	820178	Nut (Muffler)
54A	820408	Screw (Intake Manifold)	883A	★ 820670	Exhaust Gasket (Muffler)			

▽ Refer To Repair Manual MS 1055 For Assembly and/or Torque Requirements.

★ Included in Engine Gasket Set – Ref. No. 358

△ Included in Valve Overhaul Kit – Ref. No. 1033

# 432400 to 432499

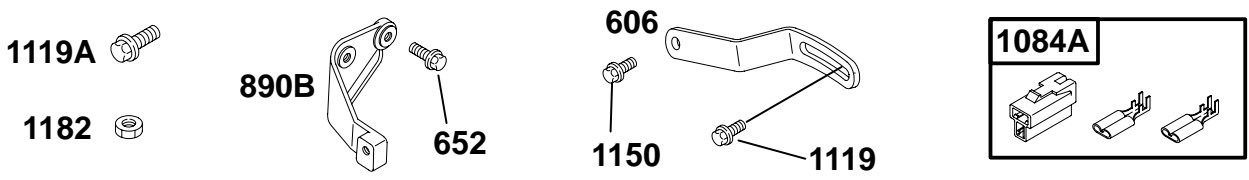
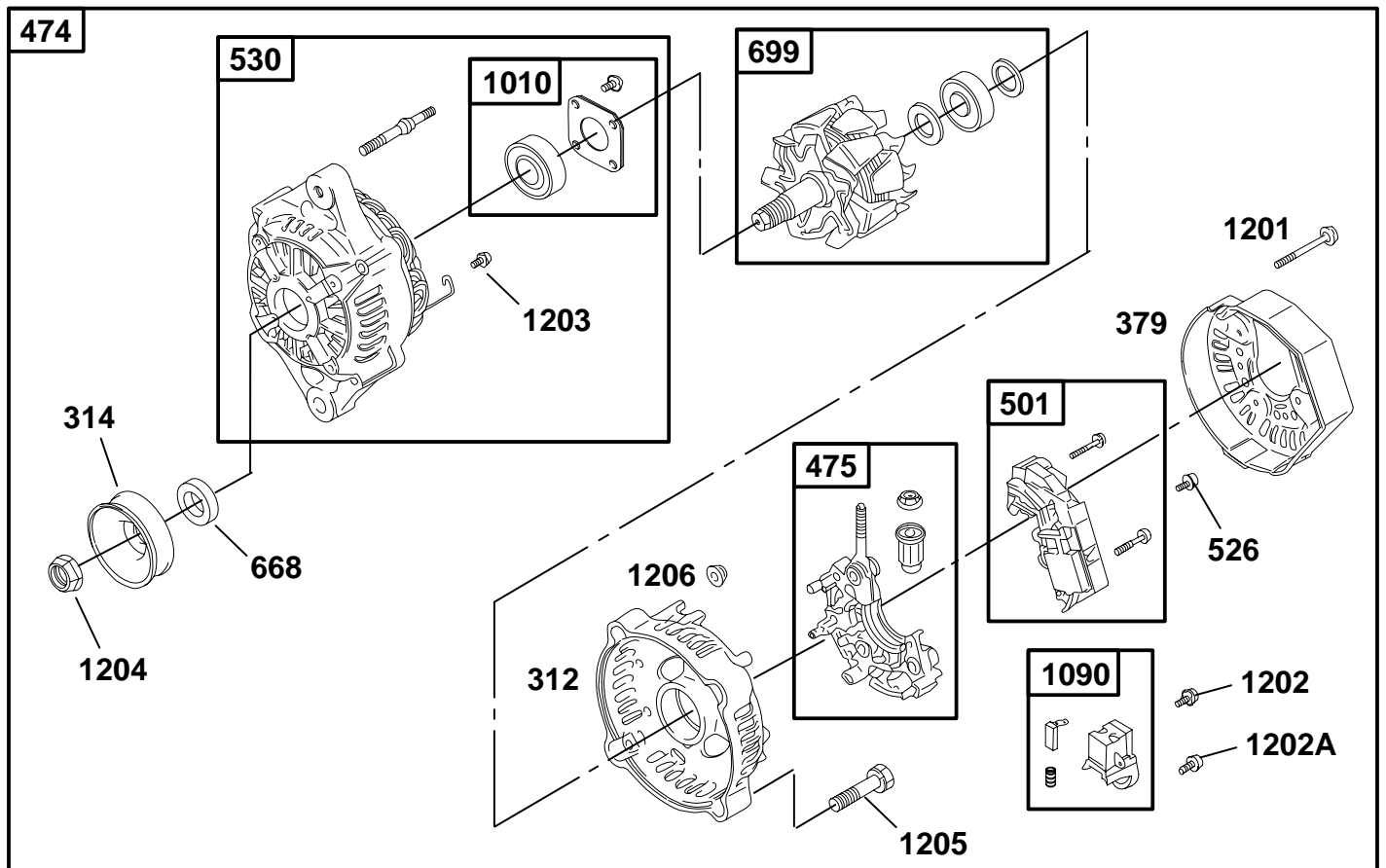


REF. NO.	PART NO.	DESCRIPTION	REF. NO.	PART NO.	DESCRIPTION	REF. NO.	PART NO.	DESCRIPTION
256	820745	Starter Drive Gear	683A	820721	Nut (Solenoid Terminal)	892	692318	Key Switch
309	825083	Motor-Starter	671	825400	Solenoid Cover	920	825398	Starter Solenoid
310	820755	Screw (Starter Motor)	692	825425	Spring Detent	1009	820019	Screw (Starter Motor)
389	825436	Plunger/Terminal Kit	697	820751	Screw (Drive Cap)	1084	825266	Terminal Connector (Starter Terminal)
413	820067	Nut (Starter Motor)	712	825424	Clutch Roller	1082	820455	Starter Relay
416	820733	Solenoid Cover Gasket	801	825396	Drive Cap	1112	820737	Vent Plug
438	820725	Terminal Boot	802	820743	End Cap	1207	820754	Screw (End Cap)
502	820739	Screw (Solenoid Cover)	803	825399	Starter Housing (Includes Brushes, Springs and Brush Retainer)			
510	825394	Starter Drive						
544	825392	Starter Armature						
683	820723	Nut (Solenoid Terminal)						

▽ Refer To Repair Manual MS 1055 For Assembly and/or Torque Requirements.

★ Included in Engine Gasket Set – Ref. No. 358

△ Included in Valve Overhaul Kit – Ref. No. 1033



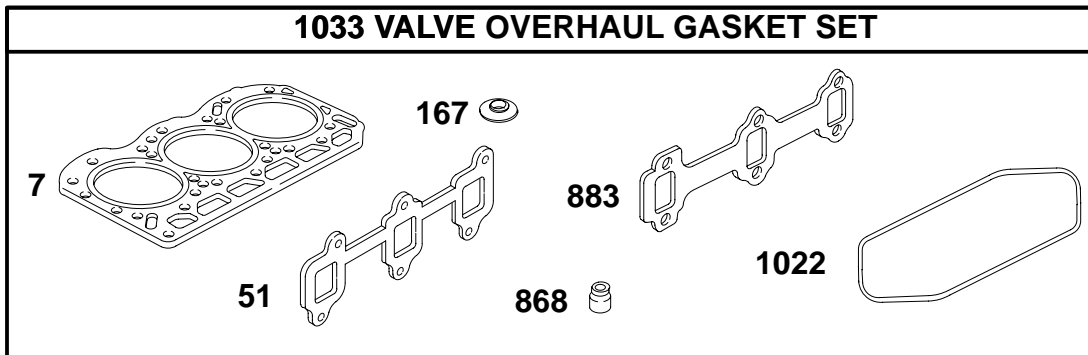
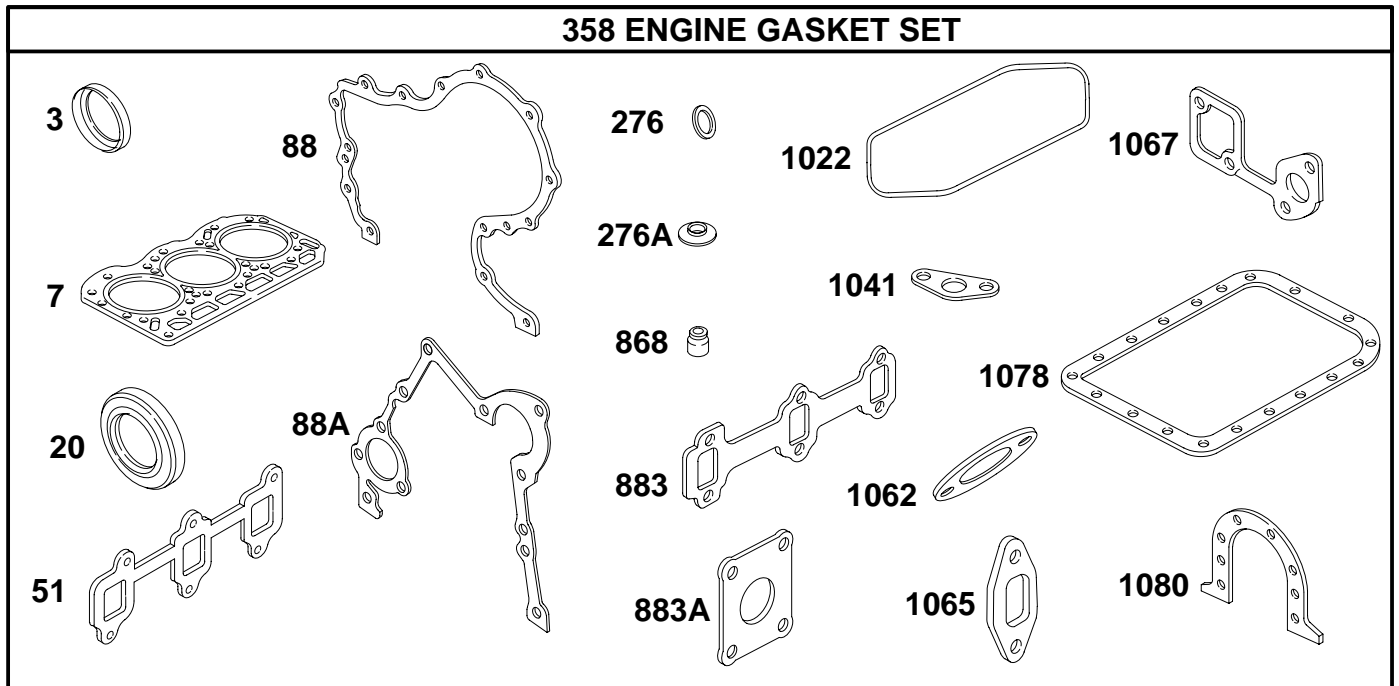
REF. NO.	PART NO.	DESCRIPTION	REF. NO.	PART NO.	DESCRIPTION	REF. NO.	PART NO.	DESCRIPTION
312	820692	Brush End Housing	890B	820213	Support Bracket			(Brush Cover)
314	820711	Alternator Pulley	910	820690	Stud	1202	820701	Screw
379	820703	Brush Cover			(Alternator)			(Brush Retainer)
474	825084	Alternator (40 Amp.)	1010	825384	Bearing Retainer	1202A	820702	Screw
475	825385	Rectifier	1084A	825157	Terminal Connector			(Brush Retainer )
501	825388	Regulator	1090	825387	Brush Retainer	1203	820702	Screw
526	820702	Screw (Rectifier)	1119	820343	Screw (Alternator)			(Ground Terminal)
530	825383	Drive End Housing	1119A	820270	Screw (Alternator)	1204	820705	Nut (Alternator Pulley)
606	820217	Adjusting Strap				1205	820707	Screw (Brush End Housing)
652	820023	Screw (Support Bracket)	1150	820023	Screw (Adjusting Strap)	1206	820709	Nut (Brush End Housing)
668	820713	Spacer (Support Bracket)	1182	820069	Nut (Alternator)			
699	825390	Rotor	1201	820715	Screw			

▽ Refer To Repair Manual MS 1055 For Assembly and/or Torque Requirements.

★ Included in Engine Gasket Set – Ref. No. 358

△ Included in Valve Overhaul Kit – Ref. No. 1033

# 432400 to 432499



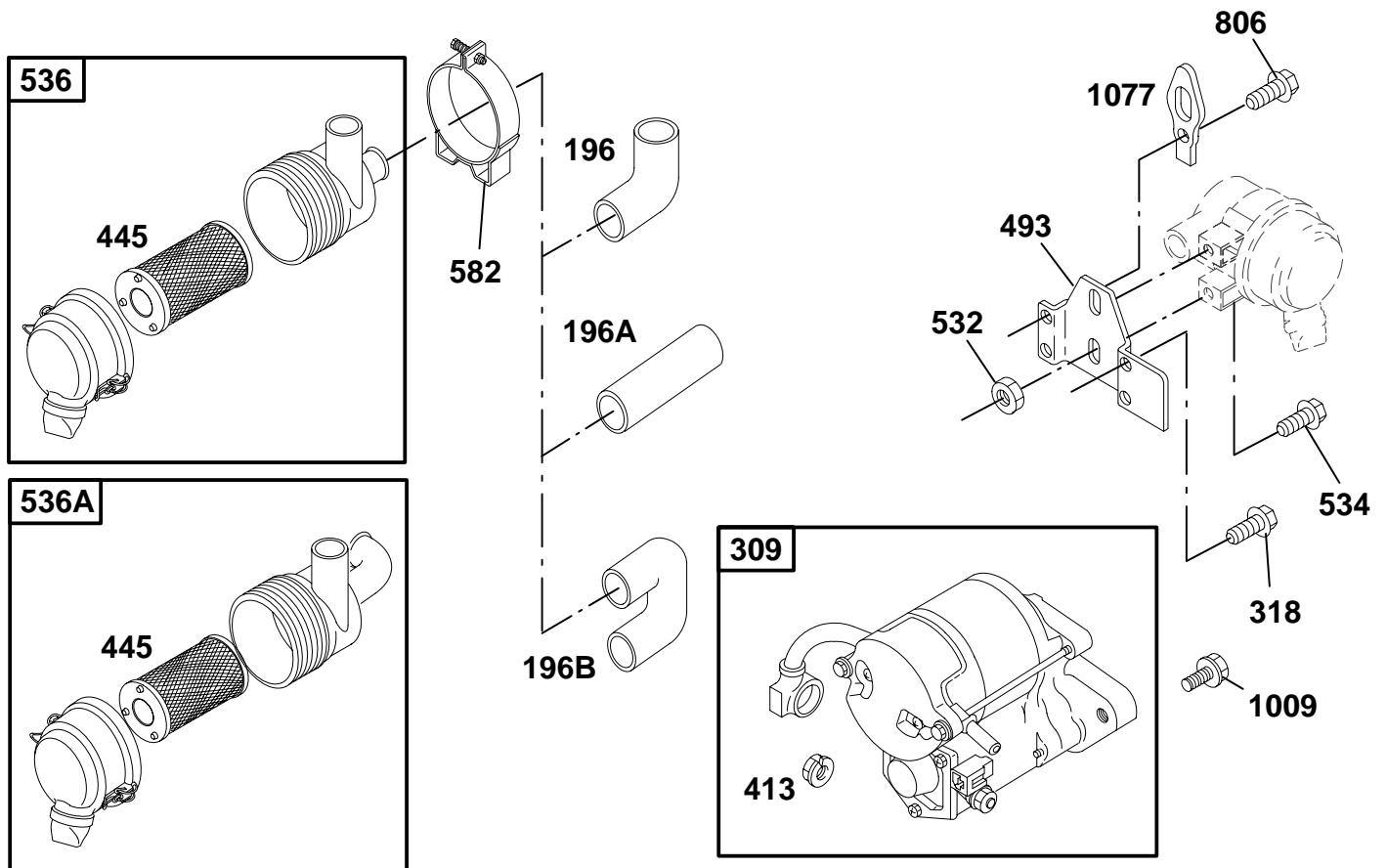
REF. NO.	PART NO.	DESCRIPTION	REF. NO.	PART NO.	DESCRIPTION	REF. NO.	PART NO.	DESCRIPTION
3	★820056	Oil Seal	276	★820582	Sealing Washer (16 mm Dia. Plug)	1033	825213	Valve Overhaul Gasket Set
7	★△820658	Cylinder Head Gasket	276A	★△820064	Sealing Washer (Rocker Cover)	1041	★820104	Oil Pump Screen Gasket
20	★820055	Oil Seal	358	825212	Engine Gasket Set	1062	★820093	Outlet Gasket
51	★△820407	Intake Gasket	868	★△820405	Valve Seal	1065	★820098	Inlet Housing Gasket
88	★820377	Gear Cover Gasket	883	★△820817	Exhaust Gasket	1067	★△820100	Water Pump Gasket
88A	★820155	Gear Cover Gasket	883A	★820670	Exhaust Gasket	1078	★820137	Oil Pan Gasket
			1022	★△820150	Rocker Cover Gasket	1080	★820145	Retainer Gasket

▽ Refer To Repair Manual MS 1055 For Assembly and/or Torque Requirements.

★ Included in Engine Gasket Set – Ref. No. 358

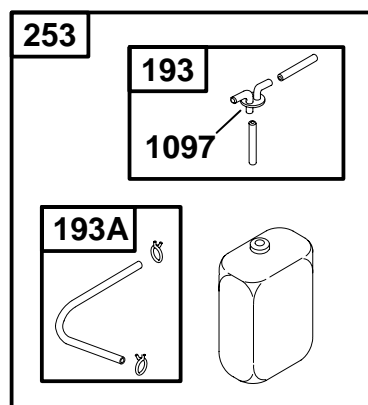
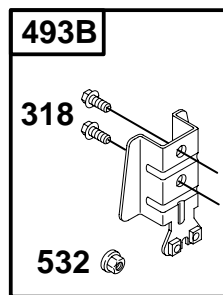
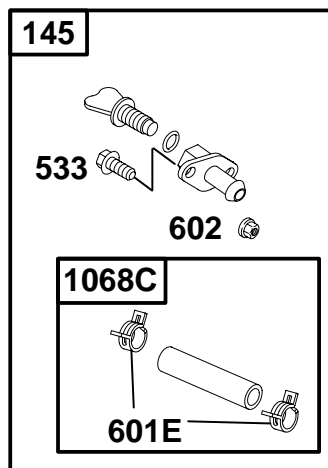
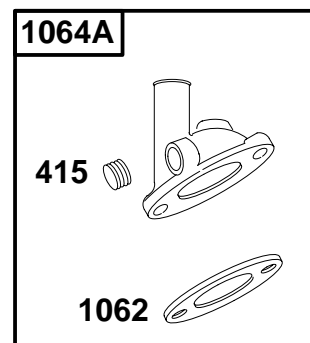
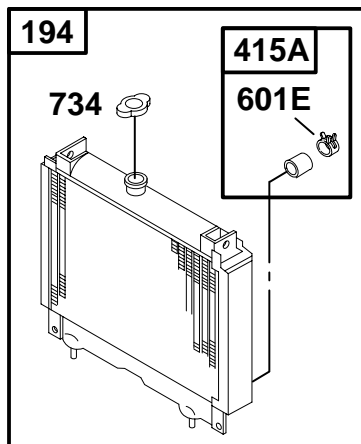
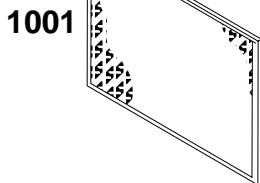
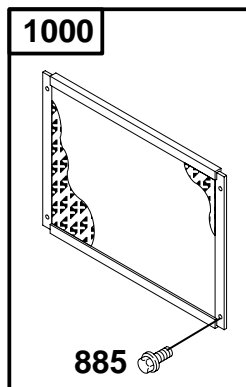
△ Included in Valve Overhaul Kit – Ref. No. 1033

# 432400 to 432499 DIESEL ENGINE OPTIONS



REF. NO.	PART NO.	DESCRIPTION	REF. NO.	PART NO.	DESCRIPTION	REF. NO.	PART NO.	DESCRIPTION
196	820554	Air Cleaner Connector (90 Degree)	493	820195	Mounting Bracket (Air Cleaner)	1009	820019	Screw (Starter Motor)
196A	820555	Air Cleaner Connector (Straight)	532	820070	Nut (Mounting Bracket)	<b>Note</b>		
196B	820556	Air Cleaner Connector (180 Degree)	534	820273	Screw (Air Cleaner)	820451	Screw (Used To Mount Starter To SAE Housings)	
309	825222	Starter Motor (1.2 KW)	536	825117	Air Cleaner (With Vacuum Adaptor)	820265	Screw (Used To Mount Starter to General Housings)	
318	820212	Screw (Mounting Bracket)	536A	825118	Air Cleaner (90 Degree Elbow With Vacuum Adaptor)			
413	820067	Nut (Starter Motor)	582	820230	Air Cleaner Clamp	1077	820254	Lifting Bracket
445	820263	Air Cleaner Cartridge Filter	806	820024	Screw (Lifting Bracket)			

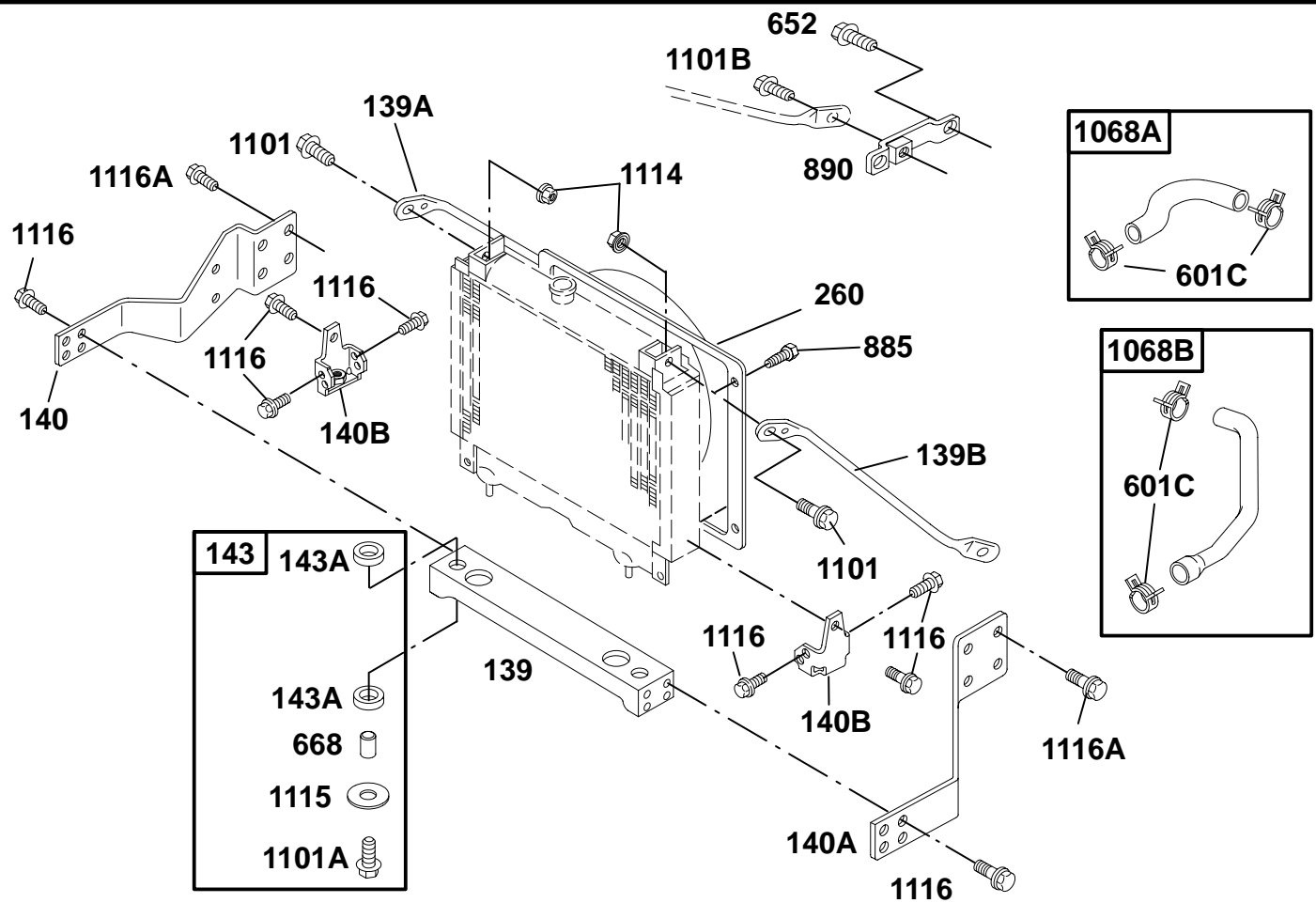
# 432400 to 432499 DIESEL ENGINE OPTIONS



REF. NO.	PART NO.	DESCRIPTION	REF. NO.	PART NO.	DESCRIPTION	REF. NO.	PART NO.	DESCRIPTION
145	825072	Drain Valve	493B	825314	Mounting Bracket	885	820636	Screw (Radiator Guard) (Used After Code Date 98082000).
193	825427	Reserve Tank Hose/Cap Ass'y (Cut Hose To Length)	532	820303	Nut (Mounting Bracket)			<b>Note</b>
193A	825428	Reserve Tank Hose	533	820034	Screw (Drain Valve)			820394 Screw (Radiator Guard) (Used Before Code Date 98082100).
194	825068	Radiator	601E	820201	Hose Clamp	1000	825103	Radiator Guard
253	825069	Reserve Tank	602	820011	Nut (Drain Valve)	1001	820259	Radiator Screen
318	820034	Screw (Mounting Bracket)	734	820258	Radiator Cap	1062	*820093	Outlet Housing Gasket
415	820052	Plug (Outlet Housing)				1064A	825267	Outlet Housing
415A	825075	Plug (Radiator Drain)				1068C	825073	Hose/Clamp Assembly
						1097	820287	Surge Tank Cap

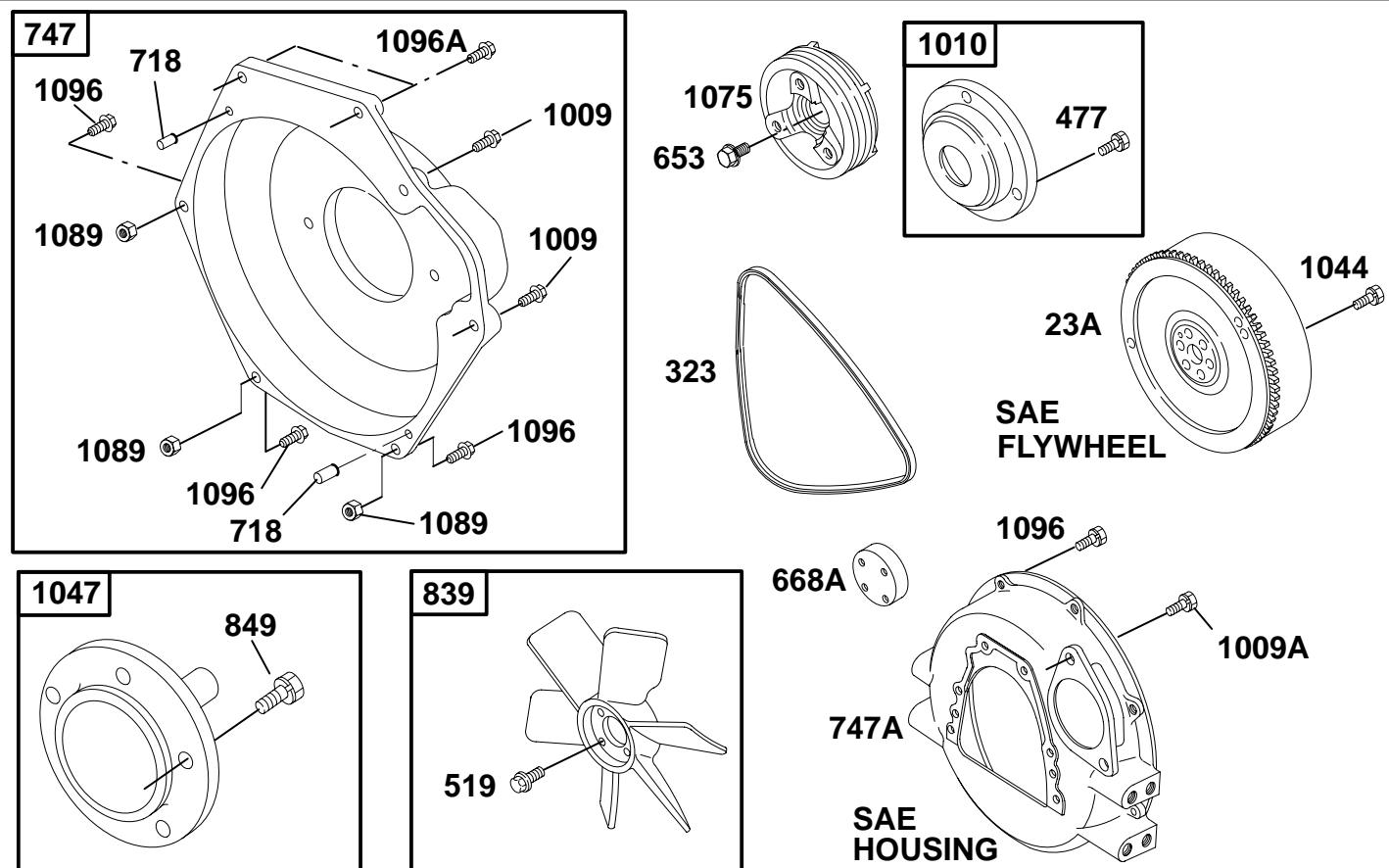


# 432400 to 432499 DIESEL ENGINE OPTIONS



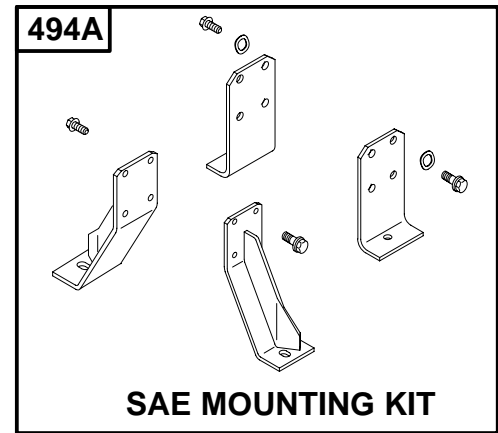
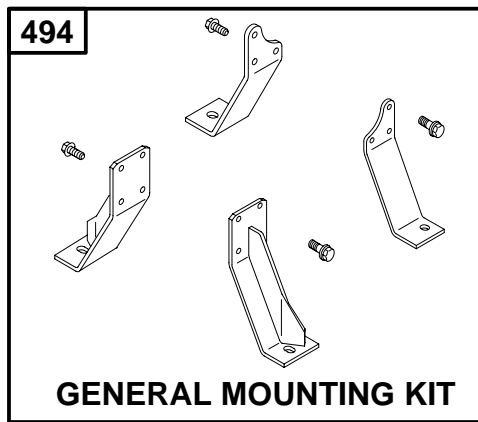
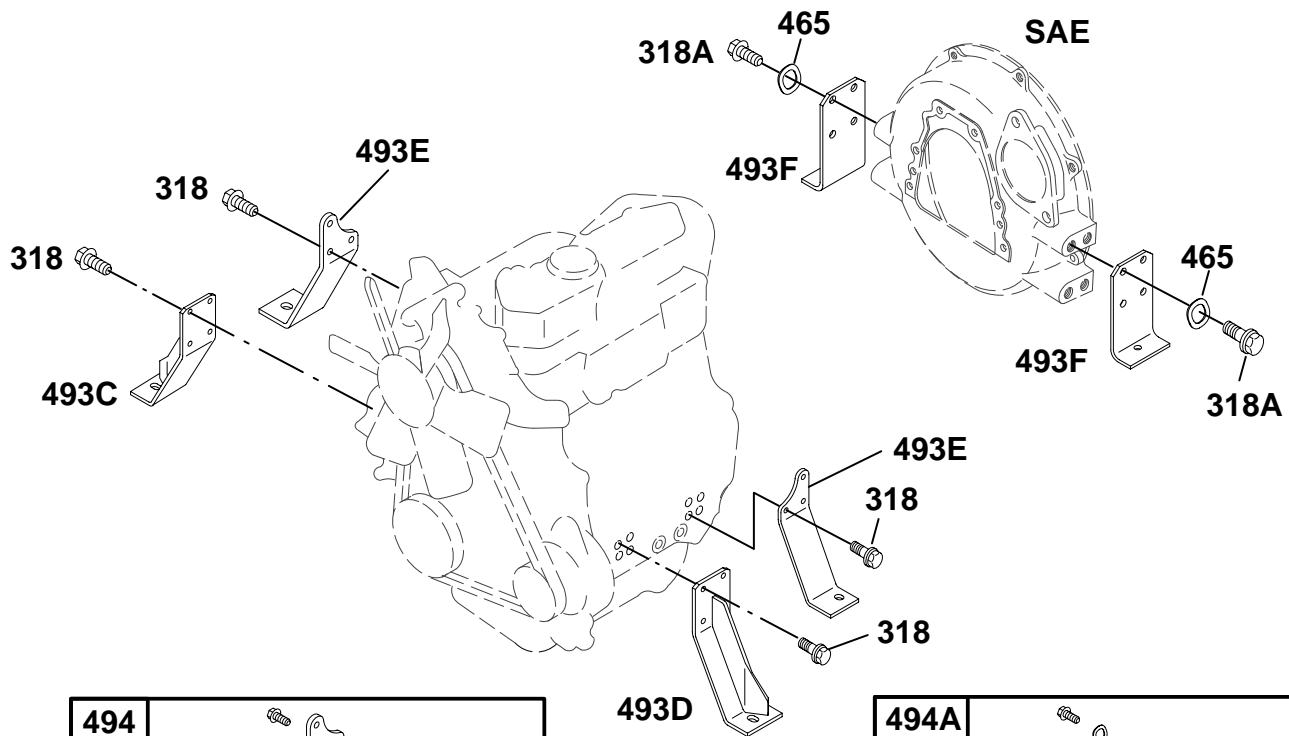
REF. NO.	PART NO.	DESCRIPTION	REF. NO.	PART NO.	DESCRIPTION	REF. NO.	PART NO.	DESCRIPTION
139	820255	Radiator Support (Front)	885	820636	Screw (Fan Shroud) (Used After Code Date 98082000).	1101B	820273	Screw (Radiator Support)
139A	820617	Radiator Support (Right Hand)			<b>Note</b>	1114	820070	Nut (Radiator Support)
139B	820191	Radiator Support (Left Hand)			820394 Screw (Fan Shroud) (Used Before Code Date 98082100).	1115	820296	Washer (Radiator Mount)
140	820192	Radiator Bracket (Right Hand)	890	820194	Support Bracket (Radiator)	1116	820174	Screw (Radiator Bracket)
140A	820193	Radiator Bracket (Left Hand)	1068A	825134	Hose/Clamp Assembly (Outlet)	1116A	820024	Screw (Radiator Bracket Used With Engine Mounts Only)
140B	820294	Radiator Bracket	1068B	825133	Hose/Clamp Assembly (Inlet)			<b>Note</b>
143	825135	Radiator Mount	1101	820272	Screw (Radiator Mount)			820023 Screw (Radiator Bracket Used With Engine Mounts And Radiator Brackets)
143A	820198	Radiator Mount	1101A	820309	Screw (Radiator Support)			
260	820220	Fan Shroud						
601C	820256	Clamp						
652	820452	Screw (Radiator Support)						
668	820307	Spacer						

# 432400 to 432499 DIESEL ENGINE OPTIONS



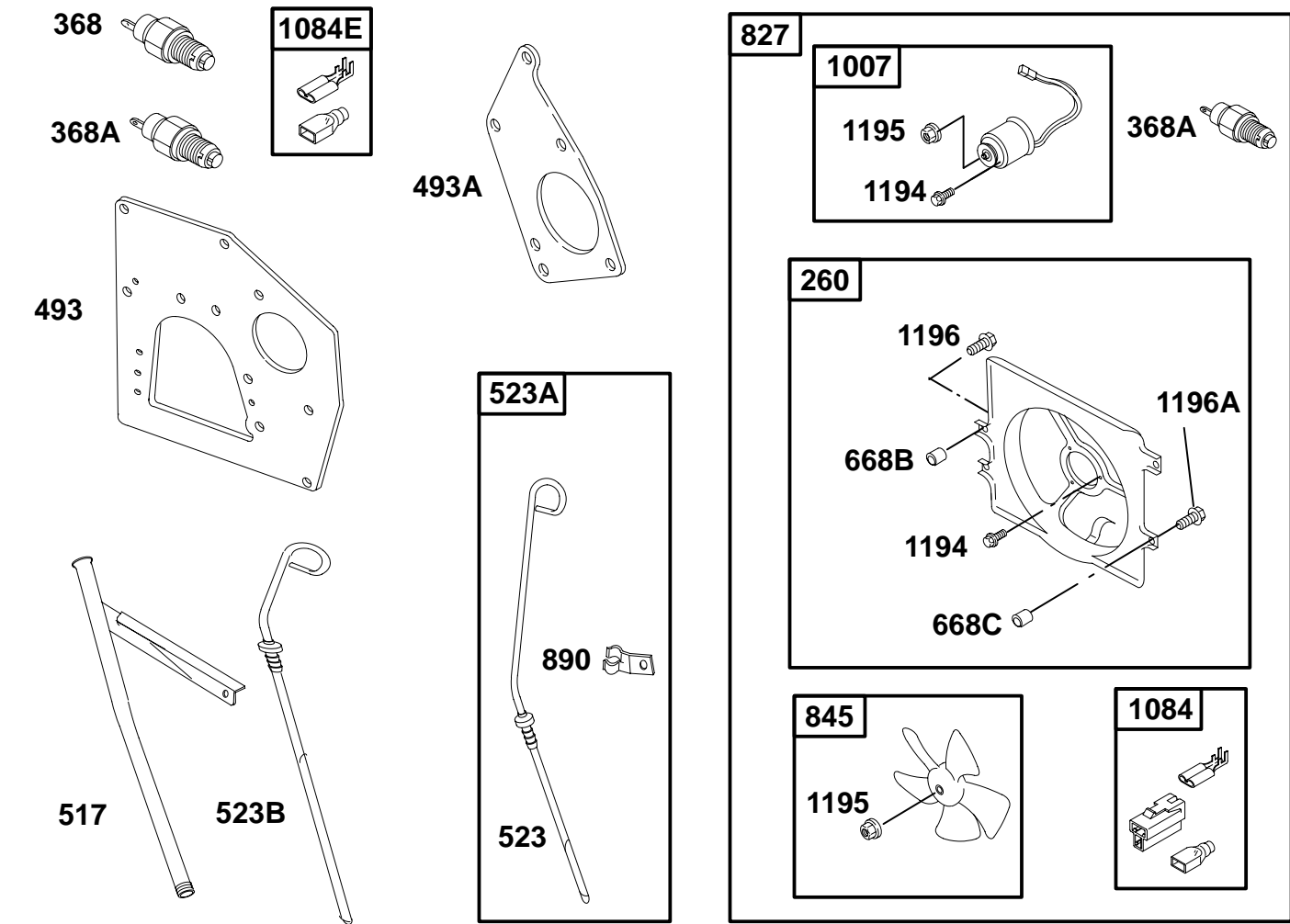
REF. NO.	PART NO.	DESCRIPTION	REF. NO.	PART NO.	DESCRIPTION	REF. NO.	PART NO.	DESCRIPTION
23A	▽ 825071	Flywheel Assembly	747	▽ 825098	Flywheel Housing (KTR®)	1009A	820451	Screw (Starter Motor)
323	▽ 820271	Vee Belt (940 mm Length)			(Small Pilot, 2 Holes)	1010	825079	Bearing Retainer
		<b>Note</b>			<b>Note</b>	1044	820080	Screw (Flywheel)
		820664 Vee Belt (930 mm Length)			825113 Flywheel Housing (KTR®)	1047	▽ 825268	Stub Shaft (1 1/8" Dia. Shaft)
477	820199	Screw (Bearing Retainer)	747A	▽ 820248	Flywheel Housing (SAE)			<b>Note</b>
519	820032	Screw (Radiator Fan)			839	▽ 825372	Radiator Fan (290 mm Dia.)	825078 Stub Shaft (1 7/16" Dia. Shaft)
		<b>Note</b>						825123 Stub Shaft (1" Dia. Shaft)
		820030 Screw (Radiator Fan) (Used With Spacer, Ref 668A)						825269 Stub Shaft (28.55 mm Dia. Shaft)
653	820079	Screw (Crankshaft Pulley)			820323 Radiator Fan (Puller 320 mm Dia.)	1075	820123	Crankshaft Pulley
668A	820218	Spacer	849	820212	Screw (Stub Shaft)	1089	820070	Nut (Flywheel Housing)
718	820264	Locating Pin	1009	820265	Screw (Sarter Motor)	1096	820241	Screw (Flywheel Housing)
						1096A	820450	Screw (Flywheel Housing)

# 432400 to 432499 DIESEL ENGINE OPTIONS



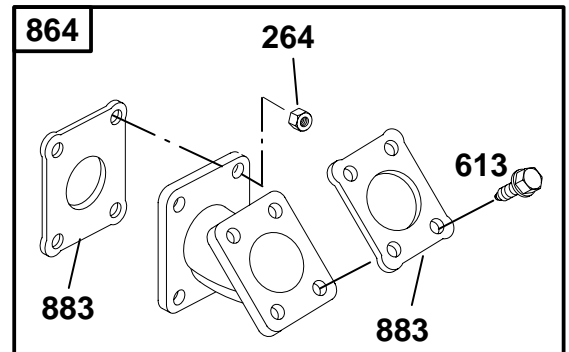
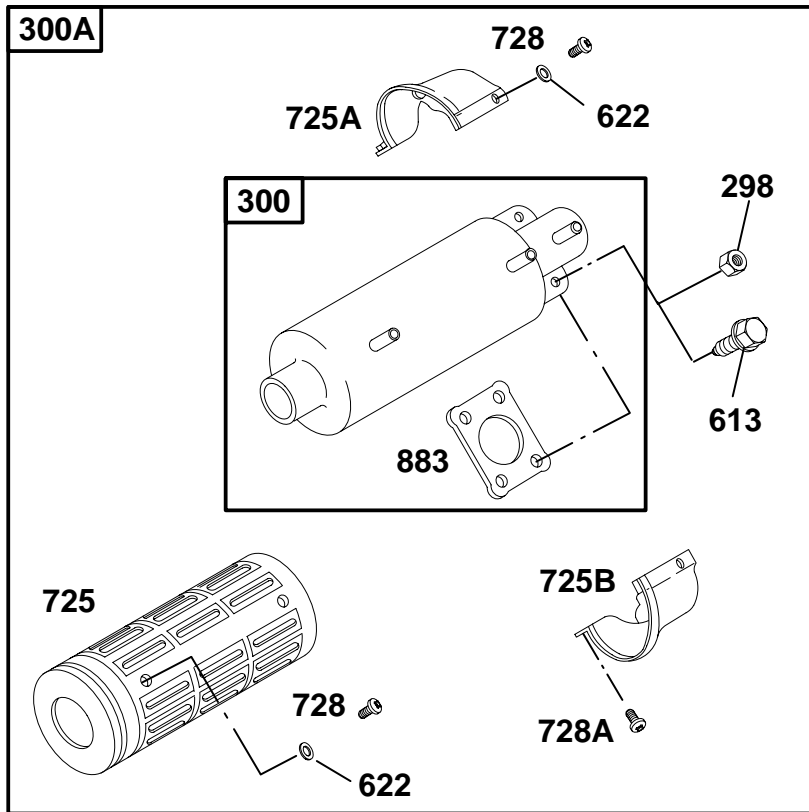
REF. NO.	PART NO.	DESCRIPTION	REF. NO.	PART NO.	DESCRIPTION	REF. NO.	PART NO.	DESCRIPTION
318	820024	Screw (Mounting Bracket Used With Engine Mounts Only)	318A	820306	Screw (Mounting Bracket)	493E	820549	Mounting Bracket (Rear General)
		<b>Note</b>	465	820449	Washer (Mounting Bracket)	493F	820550	Mounting Bracket (Rear SAE)
	820023	Screw (Mounting Bracket Use Only When Front Engine Mounts And Radiator Brackets Are Installed)	493C	820551	Mounting Bracket (Front Right General and SAE)	494	825214	Engine Mount (General Mounting Kit)
			493D	820548	Mounting Bracket (Front Left General and SAE)	494A	825215	Engine Mount (SAE Mounting Kit)

# 432400 to 432499 DIESEL ENGINE OPTIONS



REF. NO.	PART NO.	DESCRIPTION	REF. NO.	PART NO.	DESCRIPTION	REF. NO.	PART NO.	DESCRIPTION
260	825132	Fan Shroud	523	820572	Dipstick	1084E	825160	Terminal Connector (Water Pump Switch)
368	820208	Water Temperature Switch	523A	825287	Dipstick Assembly	1194	820301	Screw (Fan Motor)
368A	820277	Water Temperature Switch (For Fan Switch 92° Centigrade)	523B	825643	Dipstick Assembly	1195	820303	Nut (Fan Motor)
493	▽ 820283	Mounting Bracket	668B	820280	Spacer	1196	820305	Screw (Fan Shroud)
493A	▽ 820147	Mounting Bracket	668C	820279	Spacer	1196A	820304	Screw (Fan Shroud)
517	820666	Dipstick Tube	827	825217	Fan Motor Kit			
			845	825131	Auxilliary Cooling Fan			
			890	820238	Support Bracket			
			1007	825130	Fan Motor			
			1084		Terminal Connector (Sold In Kit Only)			

# 432400 to 432499 DIESEL ENGINE OPTIONS



REF. NO.	PART NO.	DESCRIPTION	REF. NO.	PART NO.	DESCRIPTION	REF. NO.	PART NO.	DESCRIPTION
264	820178	Nut (Muffler Adapter)	613	820023	Screw (Exhaust Muffler)	728	820429	Screw (Heat Shield)
298	820178	Nut (Muffler)	622	820631	Washer (Heat Shield)	728A	820431	Screw (Heat Shield)
300	825301	Exhaust Muffler	725	820423	Heat Shield (Heat Shield)	864	825358	Muffler Adaptor
300A	825200	Exhaust Muffler	725A	820427	Heat Shield	883	820670	Exhaust Gasket
			725B	820428	Heat Shield			