

433400

Illustrated Parts List

Model Series

433400

700cc

GAS

TYPE NUMBERS
0115, 0116, 0215,
0216, 0217, 0317.

TO FIND

THE CORRECT NUMBER OF THE PART YOU NEED:

FOLLOW THE INSTRUCTIONS BELOW

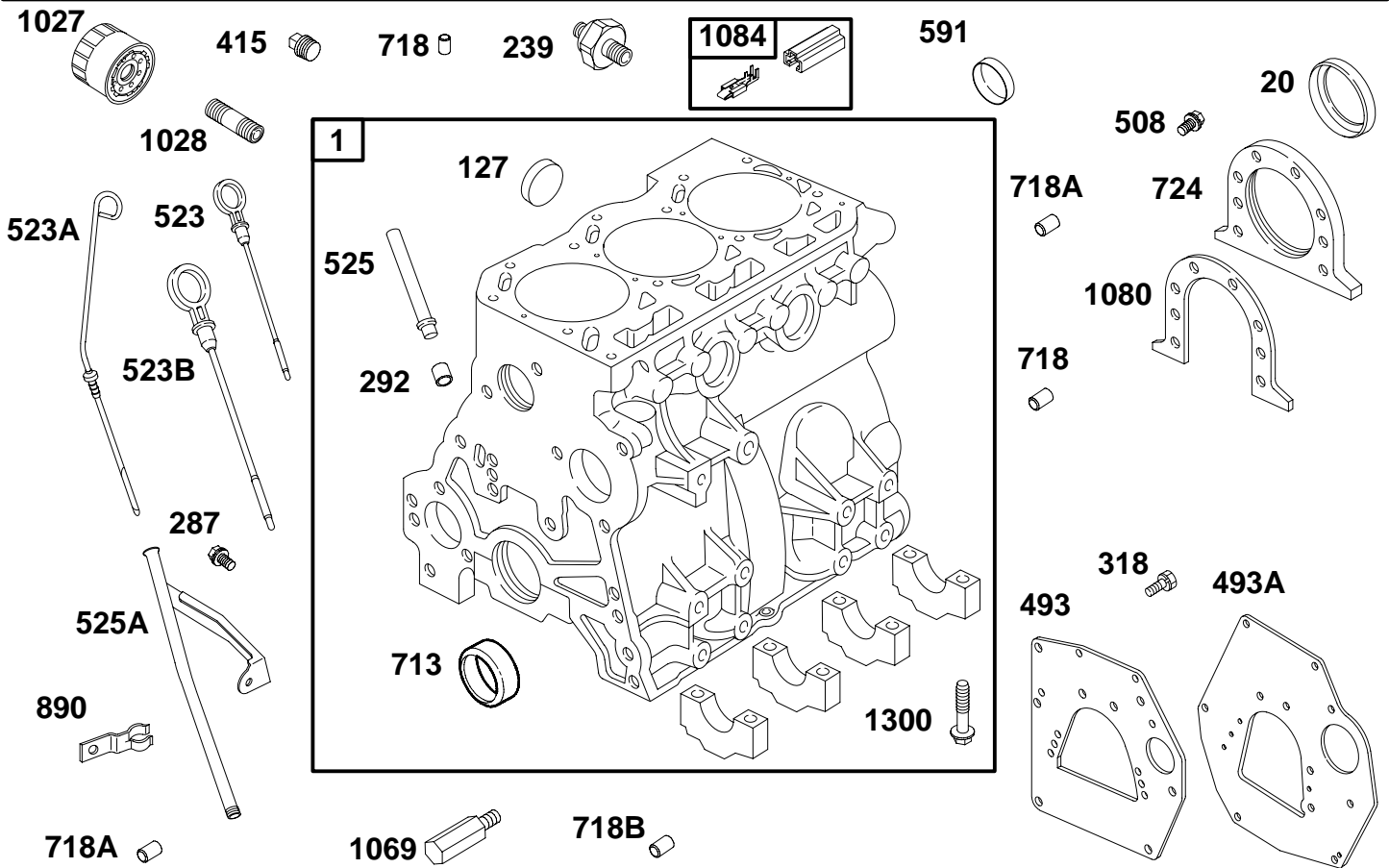
- A. Refer to Model, Type and Code Number that is located on the engine. Engine type numbers such as 0123 01 are listed only as 0123 in most instances. The two digits (01, 02, E1, etc.) to the right of the space may be required for more accurate parts identification in some instances. Select the Illustrated Parts List covering the correct Model Series and Type Number.
- B. Refer to the Illustrations and compare the original part with Illustration. The number next to the illustration is the Reference Number. Assemblies include all parts shown in frames. All parts shown in assembly frames having individual reference numbers can be purchased separately.
- C. After the Reference Number has been identified, refer to the Numerical text, where Reference and Primary Part Number are listed. **THE PRIMARY PART IS USED ON ALL TYPE NUMBERS EXCEPT THOSE TYPE NUMBERS UNDER NOTE.**
- D. If a *Note* appears below the Primary Part Number, it means that this part differs from the Primary Part for certain types. If your Type number is listed under *Note*, order the part referred to at the *Note*.
- E. If your Engine Type Number does not appear after any part number listed under *Note*, use the Primary Part Number.
- F. For Engine Type Numbers not covered by this book, check other Parts Lists having the same engine model or contact your source of supply.
- G. **REFER TO REPAIR MANUAL MS 0750 FOR ASSEMBLY AND/OR TORQUE REQUIREMENTS.**

PRINTED IN U.S.A.



COPYRIGHT by BRIGGS & STRATTON DAIHATSU LLC
All rights reserved. No part of this material may be reproduced or transmitted, in any form or by any means, electronic or mechanical, including photocopying, recording or by any information storage and retrieval system, without permission in writing from Briggs & Stratton DAIHATSU LLC.

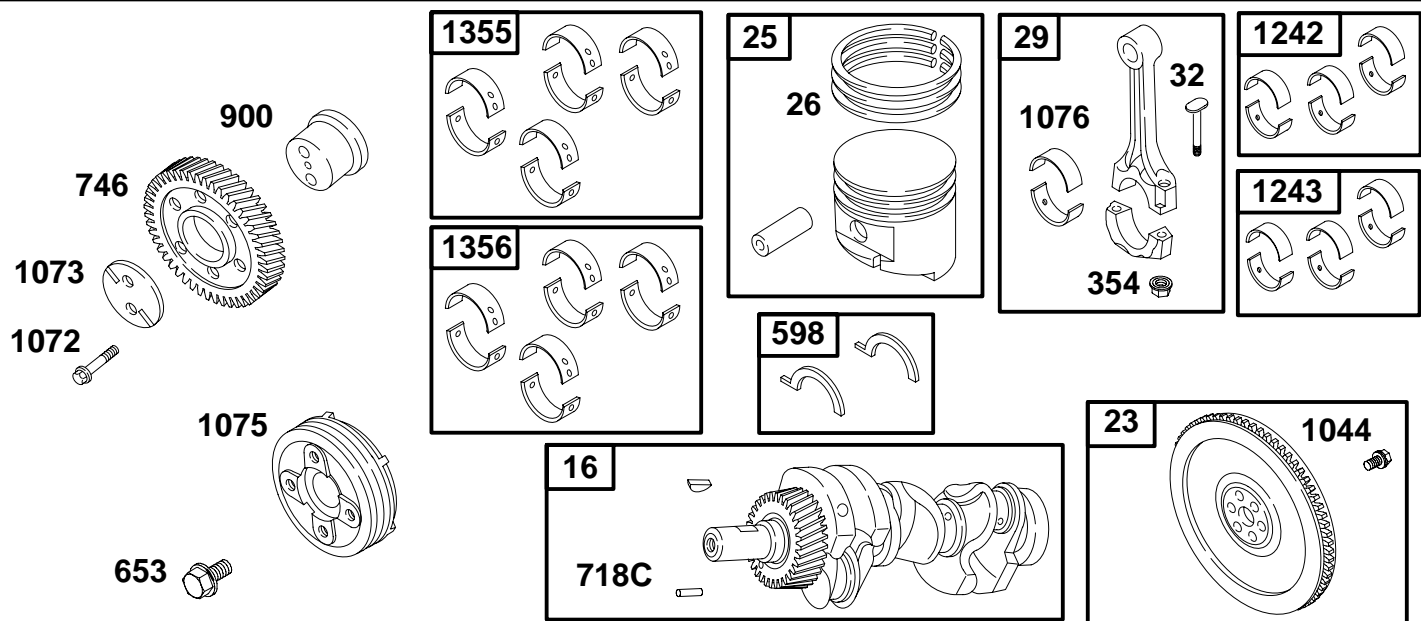
433400



REF. NO.	PART NO.	DESCRIPTION	REF. NO.	PART NO.	DESCRIPTION	REF. NO.	PART NO.	DESCRIPTION
1	825333	Cylinder Assembly (9 mm) (Used After Code Date 99063000). Used on Type No(s). 0215, 0216, 0217, 0317.	20	★821073	Seal-Oil (PTO Side)	523	821158	Dipstick
		Note	127	820004	Plug-Welch	523A	820237	Dipstick
		825333 Cylinder Assembly (9 mm) (Used After Code Date 98123100 and Before Code Date 99070100). Used on Type No(s). 0115, 0116.	239	821135	Switch-Oil Pressure	523B	820646	Dipstick
		825027 Cylinder Assembly (8 mm) (Used Before Code Date 99010100).	287	820273	Screw (Dipstick Tube)	525	820144	Tube-Dipstick
			292	820662	Collar-Dipstick Tube	525A	820652	Tube-Dipstick
			318	820176	Screw (Mounting Bracket)	591	821069	Plug-Camshaft
			415	820051	Plug	713	820129	Bushing-Camshaft
			493	820283	Bracket-Mounting Used on Type No(s). 0115, 0215.	718	820063	Pin-Locating
			493A	820170	Bracket-Mounting Used on Type No(s). 0116, 0216, 0217, 0317.	718A	820062	Pin-Locating
			508	820031	Screw (Seal Retainer)	718B	820061	Pin-Locating
						724	820146	Retainer-Seal
						890	820238	Bracket-Support (Dipstick Tube)
						1027	491056	Filter-Oil
						1028	820050	Adapter-Oil Filter
						1069	820102	Nozzle-Oil
						1080	★820145	Gasket-Seal Retainer
						1084	825154	Connector-Terminal
						1300	820042	Screw (Crankshaft Bearing Cap)

★ Engine Gasket Set - Reference 358
 Δ Valve Gasket Set - Reference 1095

◆□♣ Carburetor Overhaul Kit - Reference 121, 121A or 121B

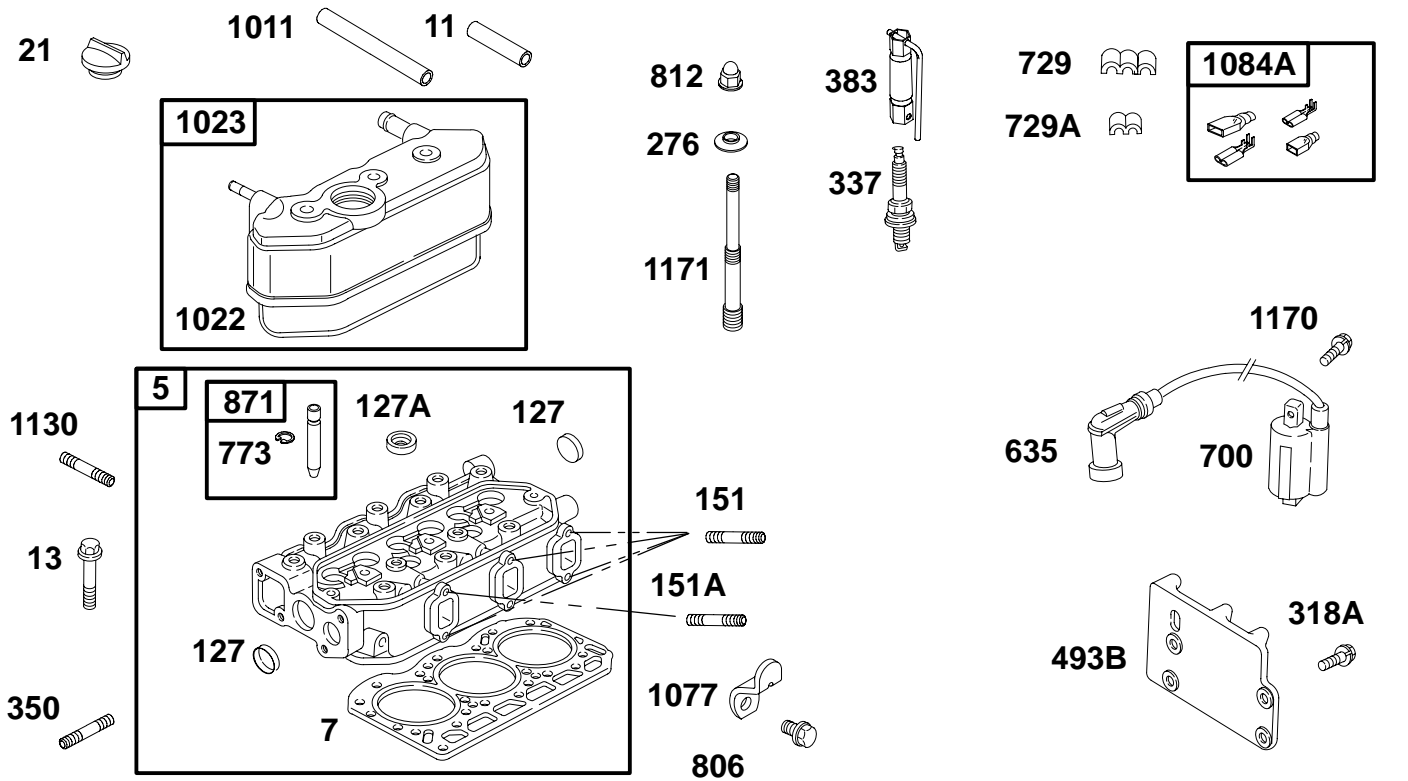


REF. NO.	PART NO.	DESCRIPTION	REF. NO.	PART NO.	DESCRIPTION	REF. NO.	PART NO.	DESCRIPTION
16	825345	Crankshaft (Used After Code Date 98123100). Used on Type No(s). 0115, 0116, 0215, 0216, 0217, 0317. Note 825016 Crankshaft (Used Before Code Date 99010100). Used on Type No(s). 0115, 0116.	29	825033	Rod—Connecting	900	820116	Shaft—Gear
			32	820128	Screw (Connecting Rod)	1044	820080	Screw (Flywheel)
			354	820073	Nut (Connecting Rod)	1072	820081	Screw (Idler Gear Plate)
			598	820140	Shim—Endplay (Standard) Note 820139 Shim— Endplay (.010" Oversize)	1073	820117	Plate—Idler Gear
			653	820079	Screw (Crankshaft Pulley)	1075	820236	Pulley—Crankshaft (4 Bolt) Note 820123 Pulley— Crankshaft (3 Bolt)
23	825303	Flywheel (Black) Used on Type No(s). 0116, 0216, 0217, 0317. Note 825302 Flywheel Used on Type No(s). 0115, 0215.	718C	820059	Pin—Locating (Crankshaft)	1076	820142	Bearing/STD—Rod
			746	820611	Gear—Idler (Left Helix) (Used After Code Date 99063000). Used on Type No(s). 0115, 0116, 0215, 0216, 0217, 0317. Note 825013 Gear—Idler (Right Helix) (Used Before Code Date 99010100). Used on Type No(s). 0115, 0116.	1242	825019	Bearing Set/STD—Rod
25	825038	Piston Assembly (Standard) Note 825018 Piston Assembly (.010" Oversize)				1243	825060	Bearing Set/010—Rod
26	825091	Ring Set (Standard) Note 825092 Ring Set (.010" Oversize)				1355	825040	Bearing Set/STD—Main
						1356	825039	Bearing Set/010—Main

★ Engine Gasket Set – Reference 358
 Δ Valve Gasket Set – Reference 1095

◆□♣ Carburetor Overhaul Kit – Reference 121, 121A or 121B

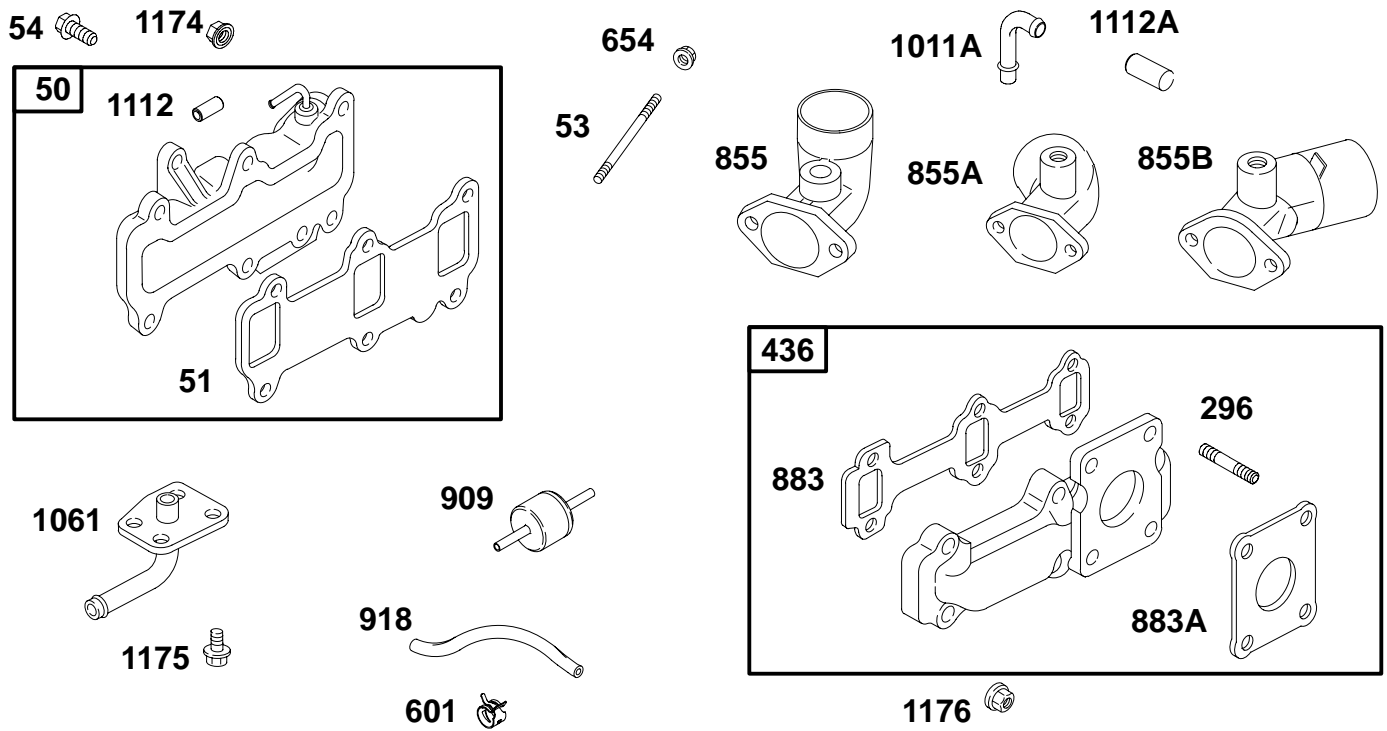
433400



REF. NO.	PART NO.	DESCRIPTION	REF. NO.	PART NO.	DESCRIPTION	REF. NO.	PART NO.	DESCRIPTION
5	825545	Head-Cylinder		820074	Screw (Cylinder Head)	635	820084	Boot-Spark Plug
7	★△820650	Gasket-Cylinder Head		(8 mm Head Bolts)	700	820037	Coil-Ignition	
11	820048	Tube-Breather		(Used Before Code Date 99010100).	729	820672	Clip-Wire	
		Used on Type No(s). 0115, 0215.			729A	820046	Clip-Wire	
		Note	21	825024	Cap-Oil Fill	773	820130	Retainer (Valve Guide Bushing)
		820886 Tube-Breather	127	820004	Plug-Welch	806	820024	Screw (Lifting Bracket)
		Used on Type No(s). 0217, 0317.	127A	820005	Plug-Welch	812	820071	Nut (Rocker Cover)
13	820623	Screw (Cylinder Head)	151	820014	Stud (Exhaust Manifold)	871	825030	Bushing-Valve Guide
		(9 mm Head Bolts)	151A	820466	Stud (Exhaust Manifold)	1011	820380	Tube-Vent
		(Used After Code Date 99063000).	276	★△820064	Washer-Sealing (Rocker Cover)			Used on Type No(s). 0116, 0216.
		Used on Type No(s). 0215, 0216, 0217, 0317.	318A	820024	Screw (Mounting Bracket)	1022	★△820150	Gasket-Rocker Cover
		Note	337	491055	Plug-Spark	1023	825277	Cover-Rocker (Used After Code Date 97022800).
		820623 Screw (Cylinder Head)	350	820078	Stud (Water Pump)			Note
		(9 mm Head Bolts)	383	89838	Wrench-Spark Plug			825088 Cover-Rocker (Used Before Code Date 97030100).
		(Used After Code Date 98123100 and Before Code Date 99070100).	493B	820083	Bracket-Mounting	1077	820260	Bracket-Lifting
		Used on Type No(s). 0115, 0116, 0215, 0216, 0217.				1084A	825155	Connector-Terminal
						1130	820015	Stud (Intake Manifold)
						1170	820012	Screw (Ignition Coil)
						1171	820076	Stud (Rocker Cover)

★ Engine Gasket Set - Reference 358
 △ Valve Gasket Set - Reference 1095

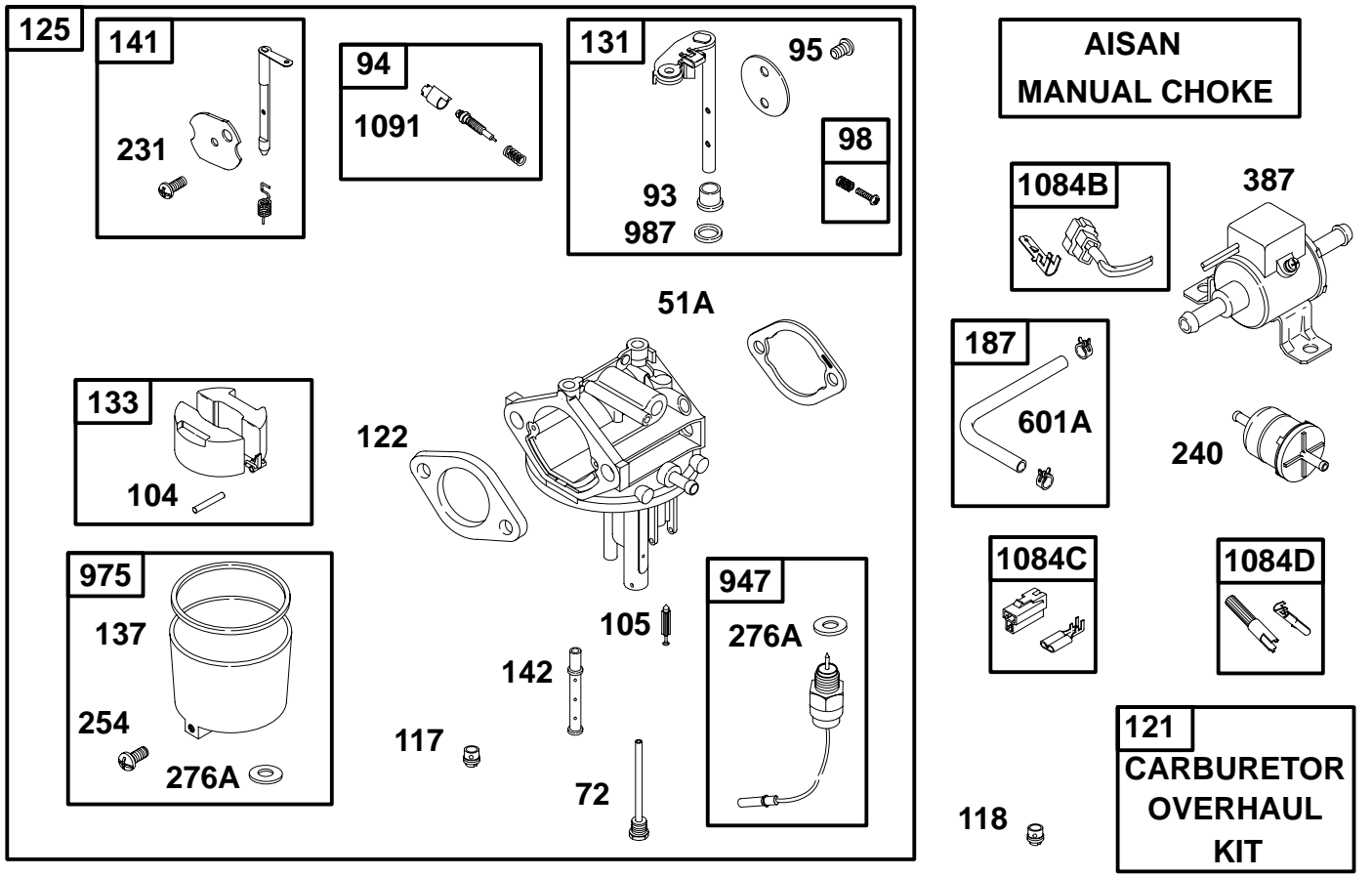
◆□♣ Carburetor Overhaul Kit - Reference 121, 121A or 121B



REF. NO.	PART NO.	DESCRIPTION	REF. NO.	PART NO.	DESCRIPTION	REF. NO.	PART NO.	DESCRIPTION
50	825261	Manifold-Intake Used on Type No(s). 0115, 0215, 0217, 0317.	296	820553	Stud (Muffler)	909	820547	Valve-Vacuum Check Used on Type No(s). 0116, 0216.
		Note	436	825055	Manifold-Exhaust	918	820393	Hose-Vacuum (Carburetor to Manifold)
		825260 Manifold- Intake	601	820382	Clamp-Hose			Used on Type No(s). 0116, 0216.
		Used on Type No(s). 0116, 0216.	654	820011	Nut (Carburetor)	1011A	820184	Tube-Vent
		(Used After Code Date 97013100).	855	820446	Adaptor-Air Cleaner Used on Type No(s). 0217, 0317.	1061	820090	Cover-Outlet
		825148 Manifold- Intake	855A	820284	Adaptor-Air Cleaner Used on Type No(s). 0115, 0215.	1112	820543	Plug-Vent
		(Used Before Code Date 97020100).	855B	820578	Adapter-Air Cleaner (Parallel to Crankshaft) Used on Type No(s). 0116, 0216.	1112A	820576	Plug-Vent Used on Type No(s). 0116, 0216.
		Used on Type No(s). 0116.	883	Δ★820817	Gasket-Exhaust (Exhaust Manifold)	1174	820069	Nut (Intake Manifold)
51	★820087	Gasket-Intake (Intake Manifold)	883A	★821001	Gasket-Exhaust (Muffler)	1175	820034	Screw (Outlet Cover)
53	820077	Stud (Carburetor)				1176	820010	Nut (Exhaust Manifold)
54	820031	Screw (Intake Manifold)						

★ Engine Gasket Set - Reference 358
 Δ Valve Gasket Set - Reference 1095

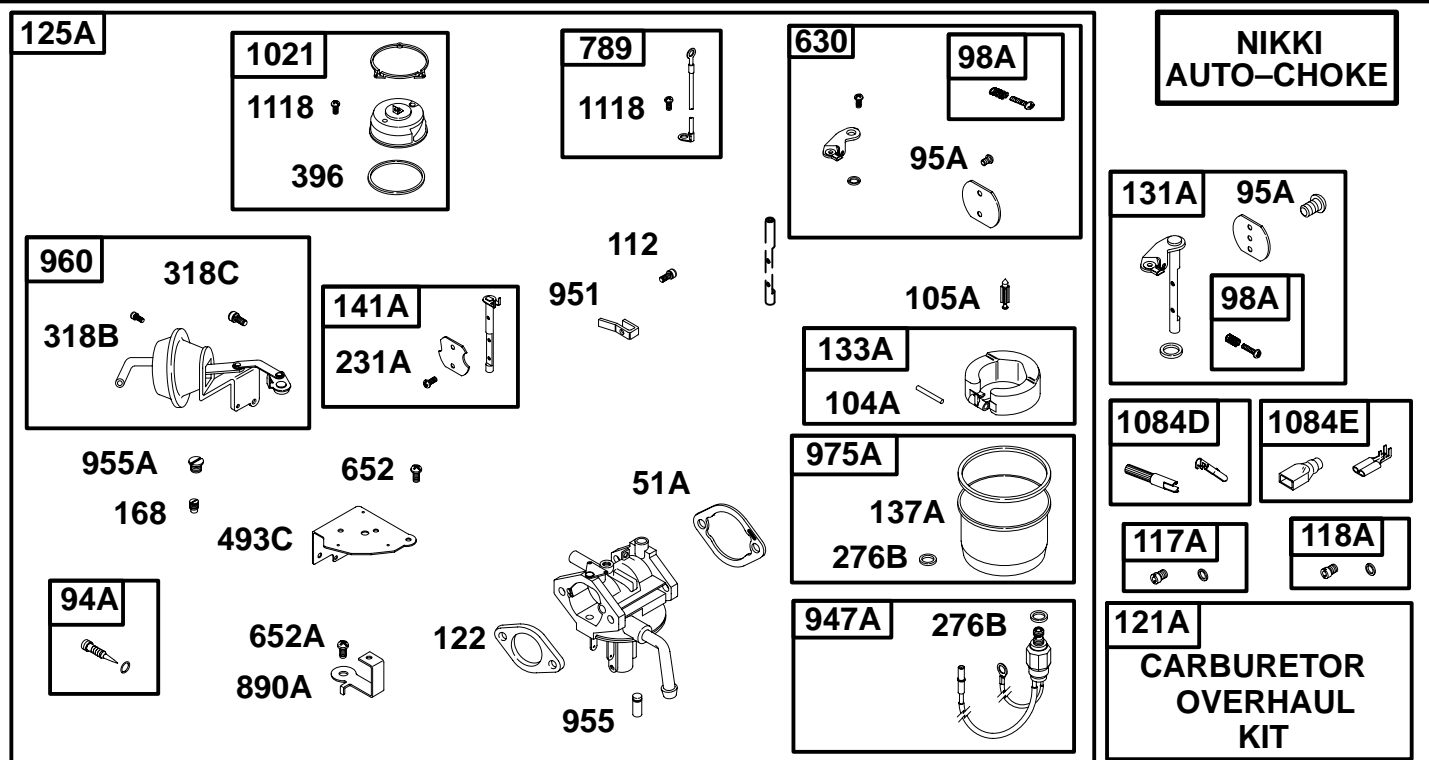
◆□♣ Carburetor Overhaul Kit - Reference 121, 121A or 121B



REF. NO.	PART NO.	DESCRIPTION	REF. NO.	PART NO.	DESCRIPTION	REF. NO.	PART NO.	DESCRIPTION
51A	♦820385	Gasket-Intake	125	825121	Carburetor Used on Type No(s). 0115, 0215. (Used After Code Date 97093000).	187	825044	Line-Fuel
72	820487	Tube-Jet				231	♦820485	Screw (Choke Valve)
93	♦	Bushing-Throttle Shaft (Sold In Kit Only)				240	821026	Filter-Fuel
94	♦825241	Kit-Idle Mixture				254	820491	Drain-Carburetor Bowl
95	♦820485	Screw (Throttle Valve)				276A	♦692343	Washer-Sealing
98	825259	Kit-Idle Speed				387	825232	Pump-Fuel
104	♦690739	Pin-Float Hinge	131	825244	Kit-Throttle Shaft	601A	820006	Clamp-Hose
105	♦820486	Valve-Float Needle	133	825240	Float-Carburetor	947	825377	Solenoid-Fuel
117	820540	Jet-Main (Standard)	137	♦820489	Gasket-Float Bowl	975	825239	Bowl-Float
118	820488	Jet-Main (High Altitude) (2,400-6,600 Feet)	141	825243	Kit-Choke Shaft	987	♦690734	Seal-Throttle Shaft
121	♦825238	Kit-Carburetor Overhaul	142	821051	Nozzle-Carburetor (Used After Code Date 01073100).	1084B	825156	Connector-Terminal
122	♦820082	Spacer-Carburetor				1084C	825157	Connector-Terminal
						1084D	825158	Connector-Terminal
						1091	♦691515	Cap-Limiter

★ Engine Gasket Set - Reference 358
 △ Valve Gasket Set - Reference 1095

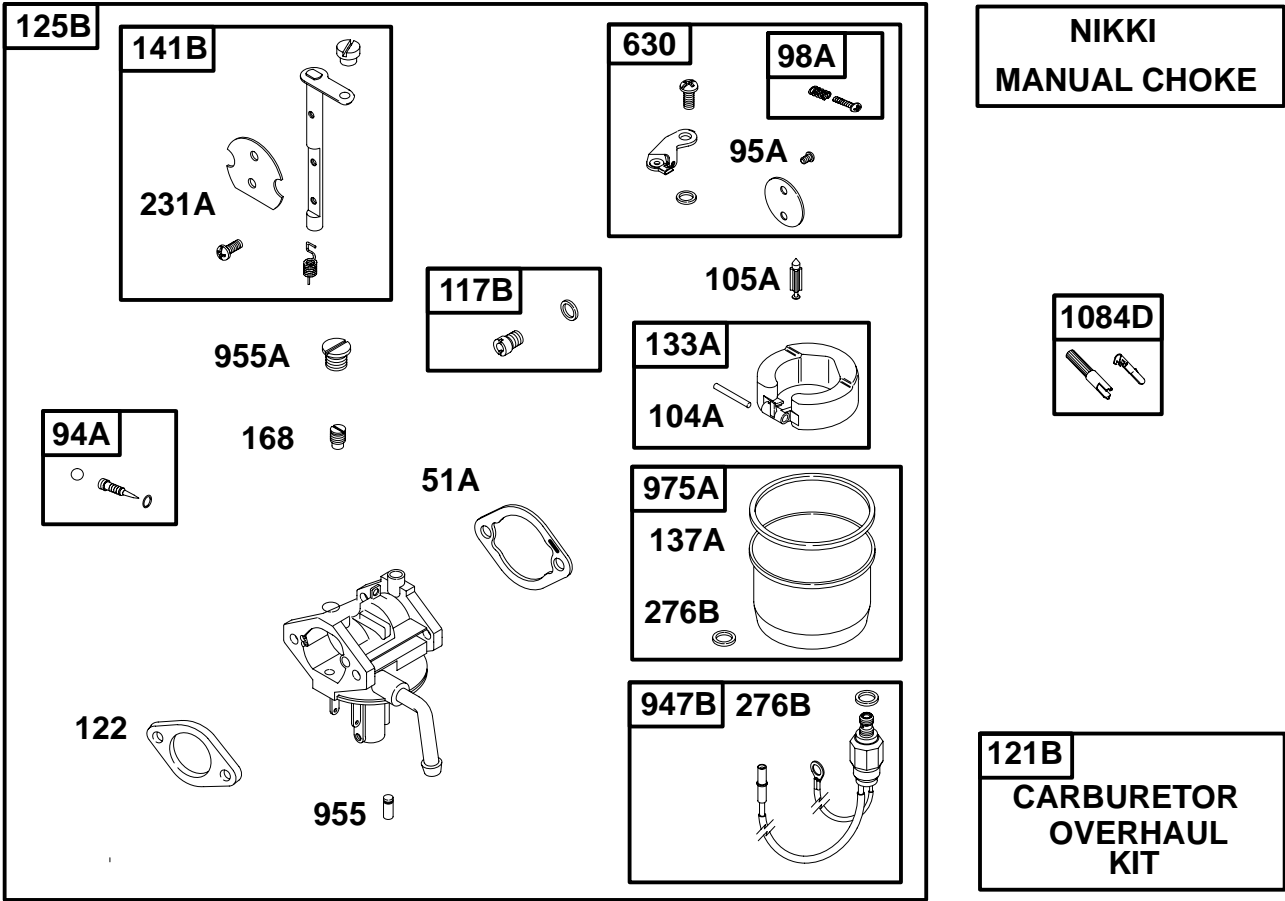
♦ □ ♣ Carburetor Overhaul Kit - Reference 121, 121A or 121B



REF. NO.	PART NO.	DESCRIPTION	REF. NO.	PART NO.	DESCRIPTION	REF. NO.	PART NO.	DESCRIPTION	
51A	★□820385	Gasket-Intake			<p align="center">Note</p> <p>825633 Carburetor Used on Type No(s). 0116. (Used Before Code Date 98040100). 825468 Carburetor Used on Type No(s). 0217. (Used Before Code Date 01080100). 825254 Kit-Throttle Shaft (Used Before Code Date 98040100). 825248 Float-Carburetor 820508 Gasket-Float Bowl 825251 Kit-Choke Shaft 820603 Jet-Idle Circuit (Used After Code Date 98033100). 820504 Screw (Choke Valve) 820511 Washer-Sealing 820512 Screw (Mounting Bracket) 820513 Screw (Mounting Bracket)</p>	396	□820515	Gasket-Choke Cover	
94A	□825374	Kit-Idle Mixture	131A	825254		Kit-Throttle Shaft (Used Before Code Date 98040100).	493C	820516	Bracket-Mounting
95A	□820504	Screw (Throttle Valve)	133A	825248		Float-Carburetor	630	825292	Lever/Plate-Throttle Shaft, Order Reference 125A)
98A	825250	Kit-Idle Speed	137A	□820508		Gasket-Float Bowl			(To Replace Throttle Shaft, Order Reference 125A)
104A	□693506	Pin-Float Hinge	141A	825251		Kit-Choke Shaft			(Used After Code Date 98033100).
105A	□820506	Valve-Float Needle	168	□820603		Jet-Idle Circuit (Used After Code Date 98033100).	652	820512	Screw (Mounting Bracket)
112	690718	Screw (Choke Lever)	231A	□820504		Screw (Choke Valve)	652A	820514	Screw (Support Bracket)
117A	825291	Jet-Main (Standard)	276B	□820511		Washer-Sealing	789	825257	Harness-Wiring
118A	825471	Jet-Main (High Altitude) (6,000 to 10,000 Feet)	318B	820512		Screw (Mounting Bracket)	890A	820517	Bracket-Support
121A	□825293	Kit-Carburetor Overhaul (Used After Code Date 98033100).	318C	820513		Screw (Mounting Bracket)	947A	825255	Solenoid-Fuel
		Note					951	820509	Lever-Choke
		825258 Kit-Carburetor Overhaul (Used Before Code Date 98040100).					955	□820510	Plug-Carburetor (Slow Passage)
122	□820082	Spacer-Carburetor					955A	□820520	Plug-Carburetor (Jet)
125A	825280	Carburetor Used on Type No(s). 0116, 0216. (Used After Code Date 98033100).					960	825253	Choke-Vacuum Break
							975A	825247	Bowl-Float
						1021	825252	Activator-Choke	
						1084D	825158	Connector-Terminal	
						1084E	825160	Connector-Terminal	
						1118	690718	Screw (Choke Activator)	

★ Engine Gasket Set - Reference 358
 Δ Valve Gasket Set - Reference 1095

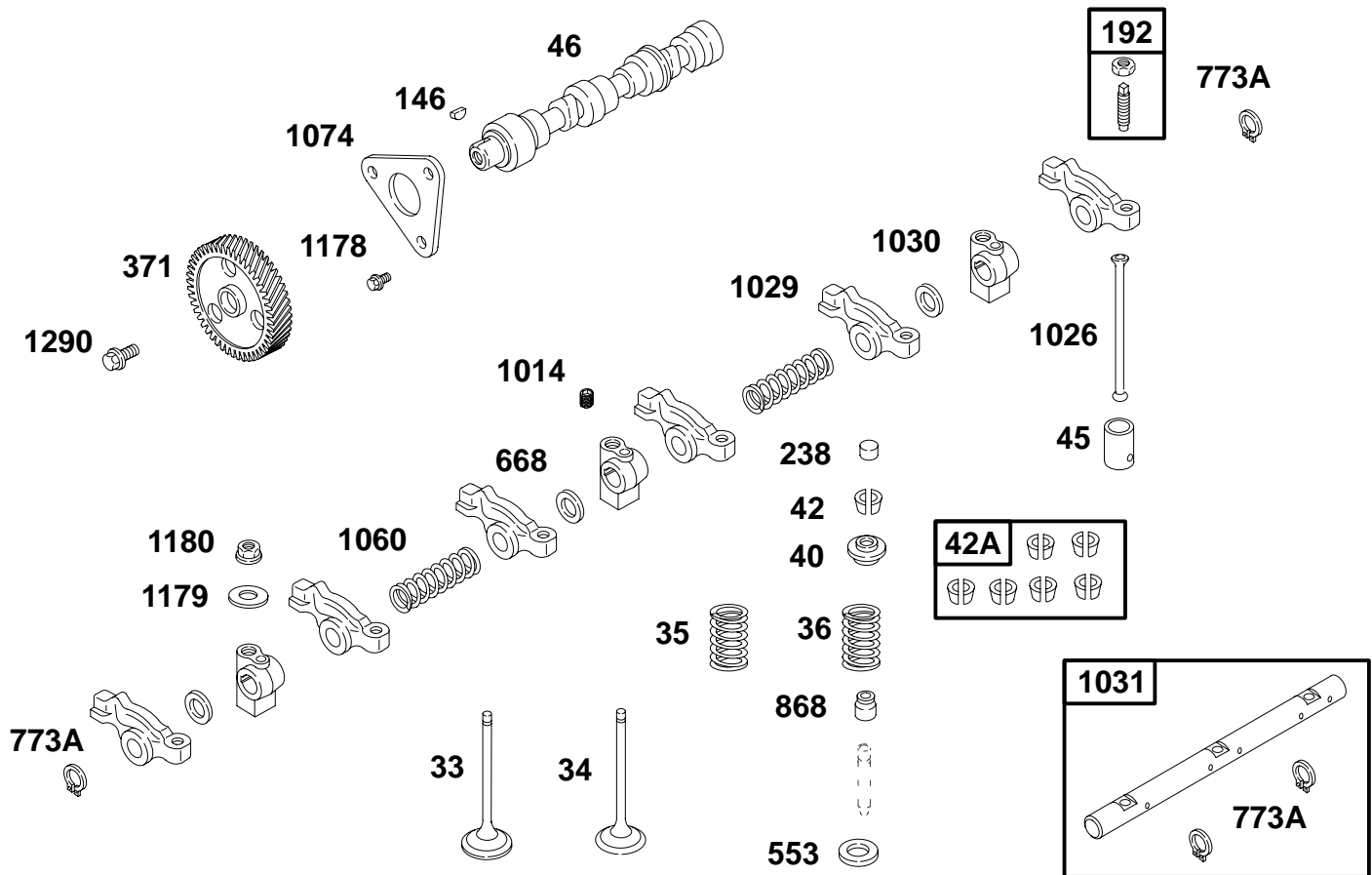
◆□♣ Carburetor Overhaul Kit - Reference 121, 121A or 121B



REF. NO.	PART NO.	DESCRIPTION	REF. NO.	PART NO.	DESCRIPTION	REF. NO.	PART NO.	DESCRIPTION
51A	♣♣820385	Gasket-Intake	133A	825248	Float-Carburetor	947B	825561	Solenoid-Fuel
94A	♣825374	Kit-Idle Mixture	137A	♣820508	Gasket-Float Bowl			Used on Type No(s). 0217.
95A	♣820504	Screw (Throttle Valve)	141B	825613	Kit-Choke Shaft			(Used After Code Date 01073100).
98A	♣825250	Kit-Idle Speed	168	♣820603	Jet-Idle Circuit (Used After Code Date 98033100).			Note
104A	♣693506	Pin-Float Hinge	231A	♣820504	Screw (Choke Valve)			825255 Solenoid-Fuel
105A	♣820506	Valve-Float Needle	276C	♣820511	Washer-Sealing			Used on Type No(s). 0116, 0216, 0217.
117B	825615	Jet-Main (Standard)	630	825292	Lever/Plate-Throttle (To Replace Throttle Shaft, Order Reference 125B)			(Used Before Code Date 01080100).
121B	♣825441	Kit-Carburetor Overhaul				955	♣820510	Plug-Carburetor (Slow Passage)
122	♣820082	Spacer-Carburetor				955A	♣820520	Plug-Carburetor (Jet)
125B	825585	Carburetor Used on Type No(s). 0217, 0317. (Used After Code Date 01073100).				975A	825247	Bowl-Float
						1084D	825158	Connector-Terminal

★ Engine Gasket Set - Reference 358
 Δ Valve Gasket Set - Reference 1095

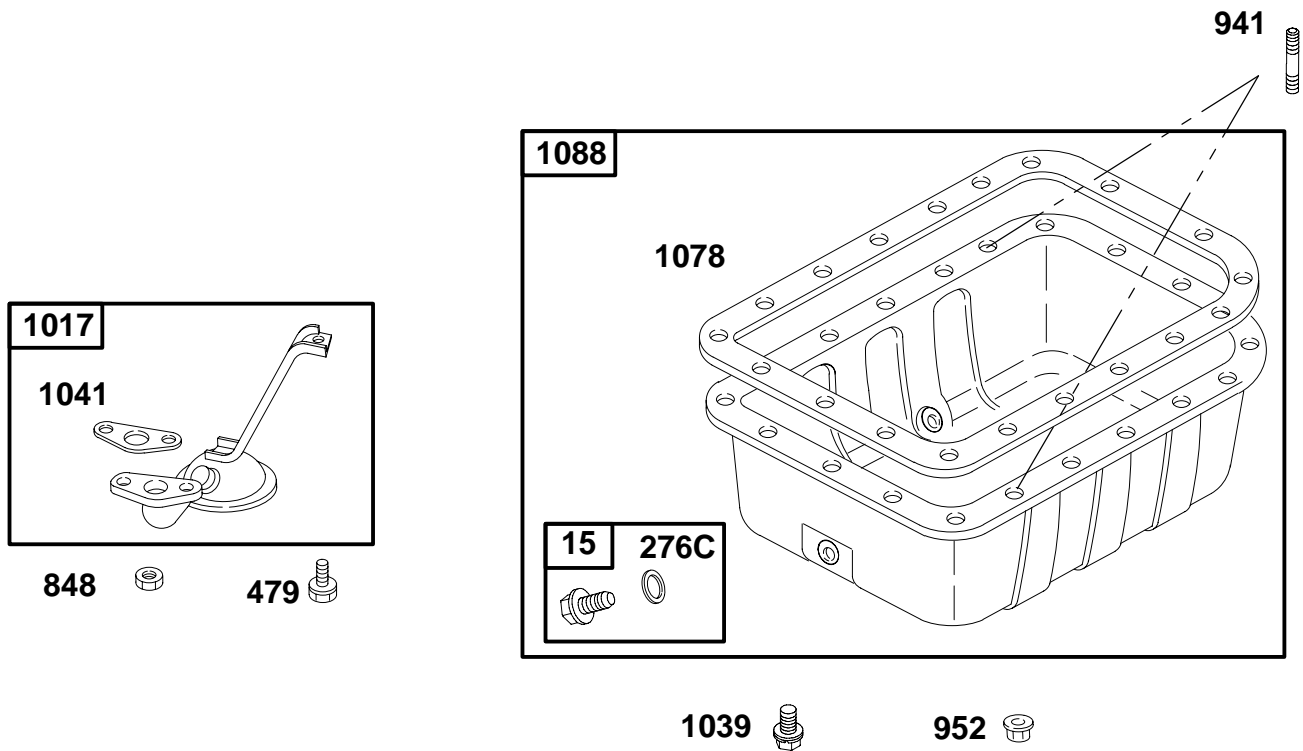
◆□♣ Carburetor Overhaul Kit - Reference 121, 121A or 121B



REF. NO.	PART NO.	DESCRIPTION	REF. NO.	PART NO.	DESCRIPTION	REF. NO.	PART NO.	DESCRIPTION
33	820114	Valve-Exhaust	371	820613	Gear-Cam (Right Helix) (Used After Code Date 98123100).	1014	820105	Screw (Rocker Arm Support)
34	820115	Valve-Intake				1026	820109	Rod-Push
35	820043	Spring-Valve (Intake)				1029	820387	Rocker Arm
36	820043	Spring-Valve (Exhaust)				1030	820106	Support-Rocker Arm
40	820111	Retainer-Valve				1031	825093	Shaft-Rocker Arm
42	825042	Keeper-Valve (Contains 1 Set)				1060	820044	Spring-Rocker Shaft
42A	825082	Keeper-Valve (Contains 6 Sets)				1074	820118	Retainer-Camshaft
45	820110	Tappet-Valve				1178	820032	Screw (Camshaft Retainer)
46	820388	Camshaft				1179	820177	Washer (Rocker Arm Support)
146	691639	Key-Timing				1180	820070	Nut (Rocker Arm Support)
192	825041	Adjuster-Rocker Arm				1290	820075	Screw (Cam Gear)
238	820113	Cap-Valve	553	820112	Retainer-Valve Spring			
			668	820065	Spacer (Rocker Arm Shaft)			
			773A	820003	Retainer			
			868	820041	Seal-Valve			

★ Engine Gasket Set – Reference 358
 Δ Valve Gasket Set – Reference 1095

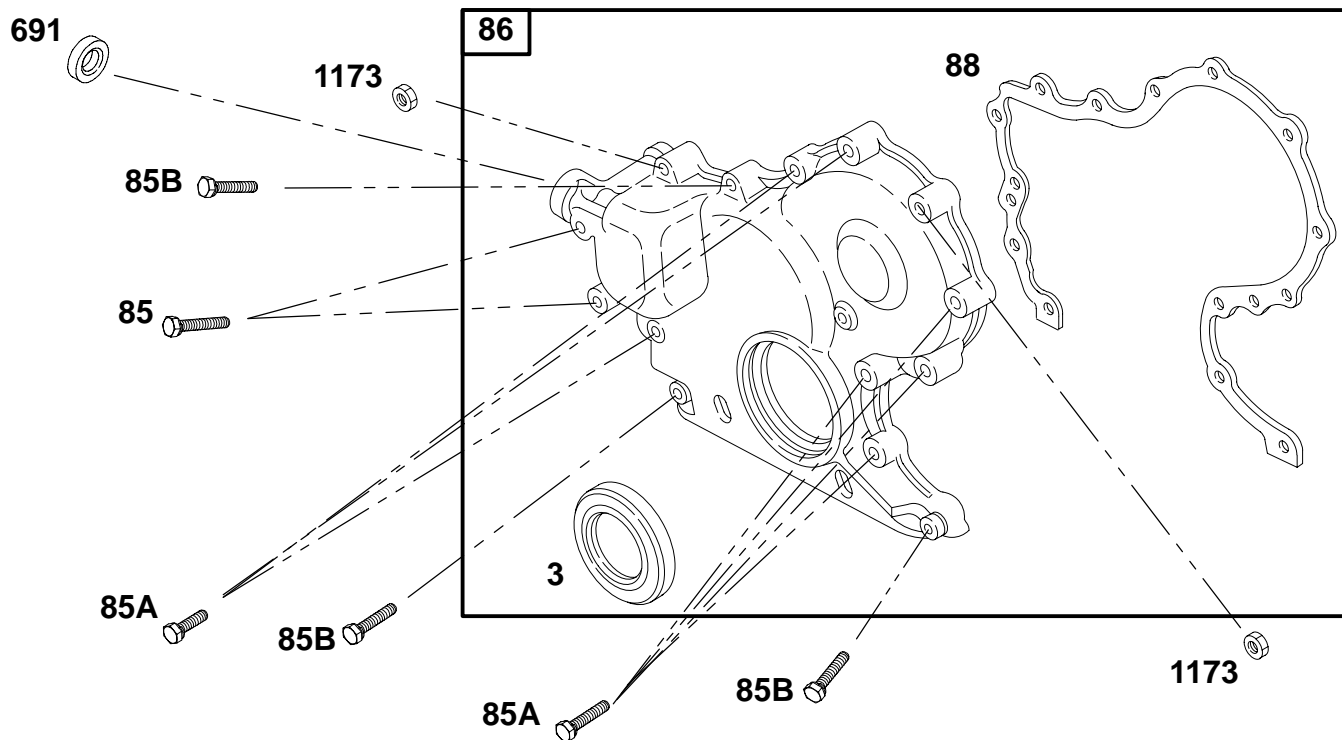
◆◻♣ Carburetor Overhaul Kit – Reference 121, 121A or 121B



REF. NO.	PART NO.	DESCRIPTION	REF. NO.	PART NO.	DESCRIPTION	REF. NO.	PART NO.	DESCRIPTION
15	825278	Plug—Oil Drain (16 mm) Note ——— 825043 Plug—Oil Drain (12 mm)	479	820034	Screw (Oil Pump Screen)	1017	825089	Screen—Oil Pump
276C	★820582	Washer—Sealing (Oil Drain Plug) (16 mm) Note ——— ★820049 Washer— Sealing (Oil Drain Plug) (12 mm)	848	820069	Nut (Oil Pump Screen)	1039	820034	Screw (Oil Pan)
			941	820017	Stud (Oil Pan)	1041	★820104	Gasket—Oil Strainer
			952	820068	Nut (Oil Pan)	1078	★820137	Gasket—Oil Pan
						1088	825285	Pan—Oil (Dual Drain) (16 mm)

★ Engine Gasket Set – Reference 358
 Δ Valve Gasket Set – Reference 1095

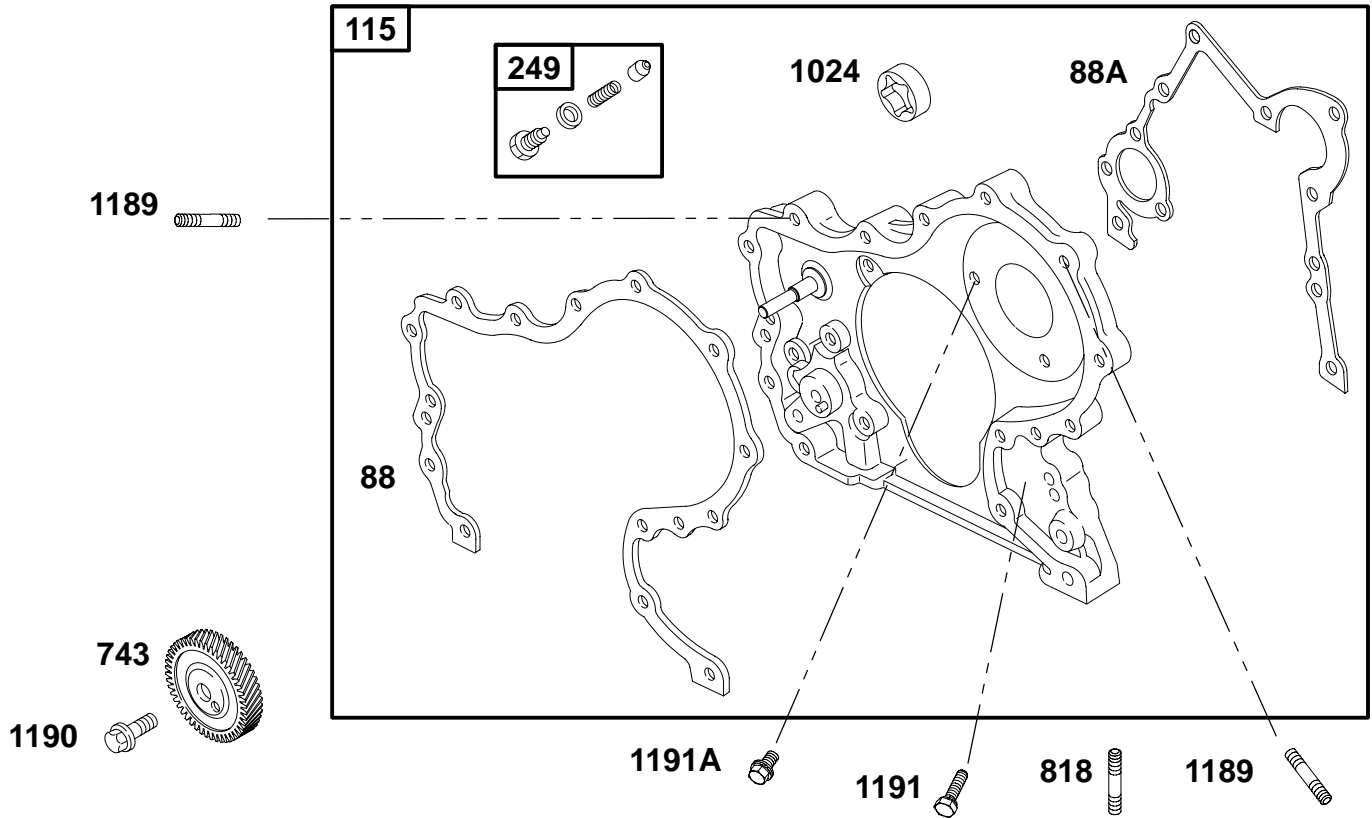
◆□♣ Carburetor Overhaul Kit – Reference 121, 121A or 121B



REF. NO.	PART NO.	DESCRIPTION	REF. NO.	PART NO.	DESCRIPTION	REF. NO.	PART NO.	DESCRIPTION
3	★821071	Seal—Oil (Magneto Side)	86	825119	Cover—Gear Used on Type No(s). 0115, 0116, 0215, 0216, 0217, 0317. (Used After Code Date 98033100).	88	★820148	Gasket—Gear Reduction Cover
85	820026	Screw (Gear Cover to Gear Reduction Case)				691	820054	Seal—Governor Shaft Used on Type No(s). 0116. (Used Before Code Date 98040100).
85A	820029	Screw (Gear Cover to Gear Reduction Case)			Note	1173	820069	Nut (Gear Cover)
85B	820027	Screw (Gear Cover to Gear Reduction Case)			825046 Cover—Gear Used on Type No(s). 0116. (Used Before Code Date 98040100).			

★ Engine Gasket Set – Reference 358
 Δ Valve Gasket Set – Reference 1095

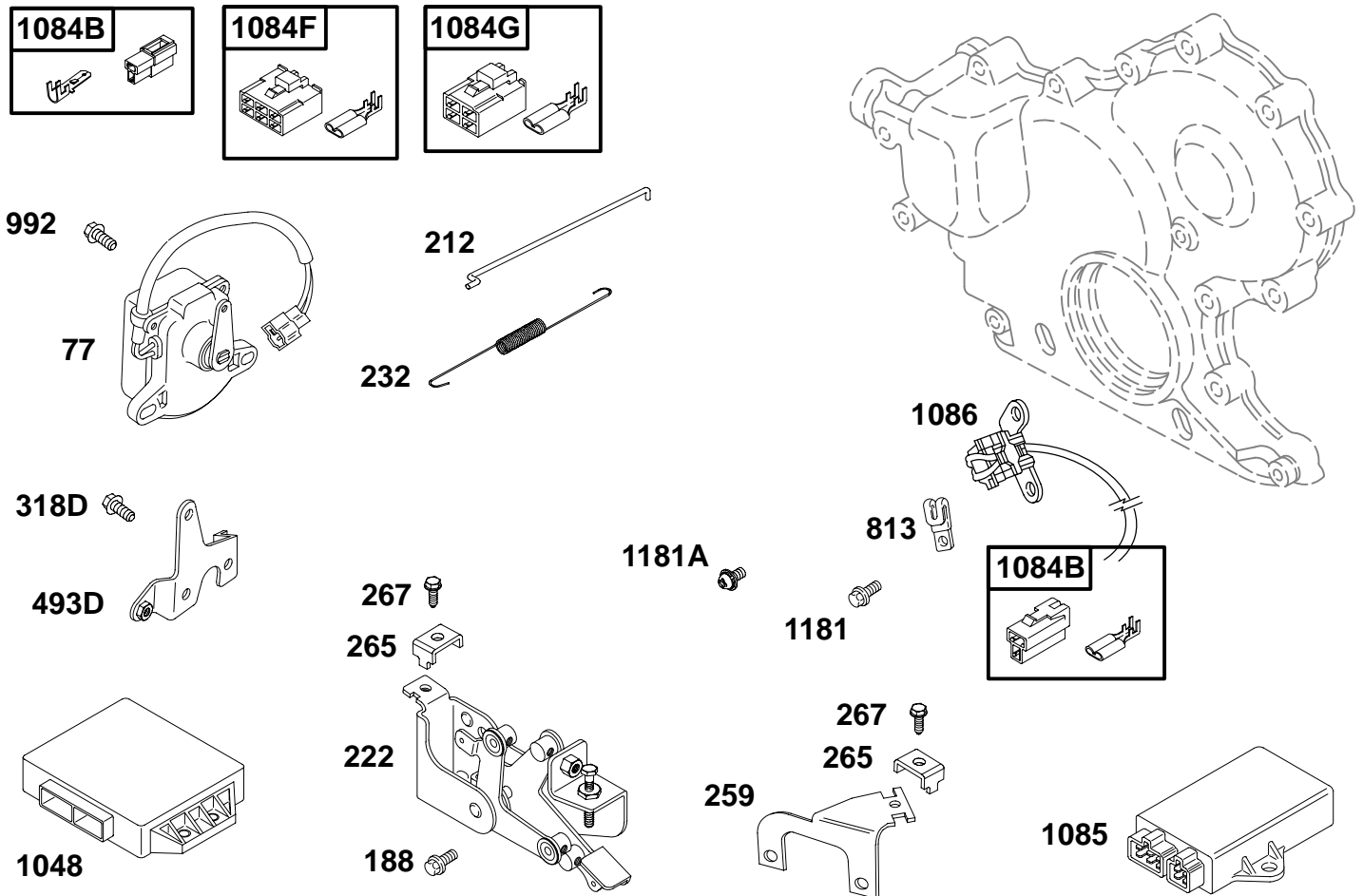
◆◻♣ Carburetor Overhaul Kit – Reference 121, 121A or 121B



REF. NO.	PART NO.	DESCRIPTION	REF. NO.	PART NO.	DESCRIPTION	REF. NO.	PART NO.	DESCRIPTION
88	★820148	Gasket–Gear Reduction Cover	249	825032	Valve–Pressure Relief	1024		Pump–Oil (Sold in Gear Housing Only, Reference 115)
88A	★820155	Gasket–Gear Reduction Cover	743	820615	Gear–Drive Used on Type No(s). 0115, 0116, 0215, 0216, 0217, 0317. (Used After Code Date 98123100). Note ——— 820121 Gear–Drive Used on Type No(s). 0115, 0116, 0215, 0216. (Used Before Code Date 99010100).	1189	820156	Stud (Gear Housing)
115	825120	Housing–Gear Used on Type No(s). 0115, 0116, 0215, 0216, 0217, 0317. (Used After Code Date 98033100). Note ——— 825059 Housing–Gear Used on Type No(s). 0116. (Used Before Code Date 98040100).	818	820016	Stud (Oil Pump Screen)	1190	820180	Screw (Drive Gear)
						1191	820030	Screw (Gear Housing)
						1191A	820033	Screw (Gear Housing)

★ Engine Gasket Set – Reference 358
 Δ Valve Gasket Set – Reference 1095

◆◻♣ Carburetor Overhaul Kit – Reference 121, 121A or 121B

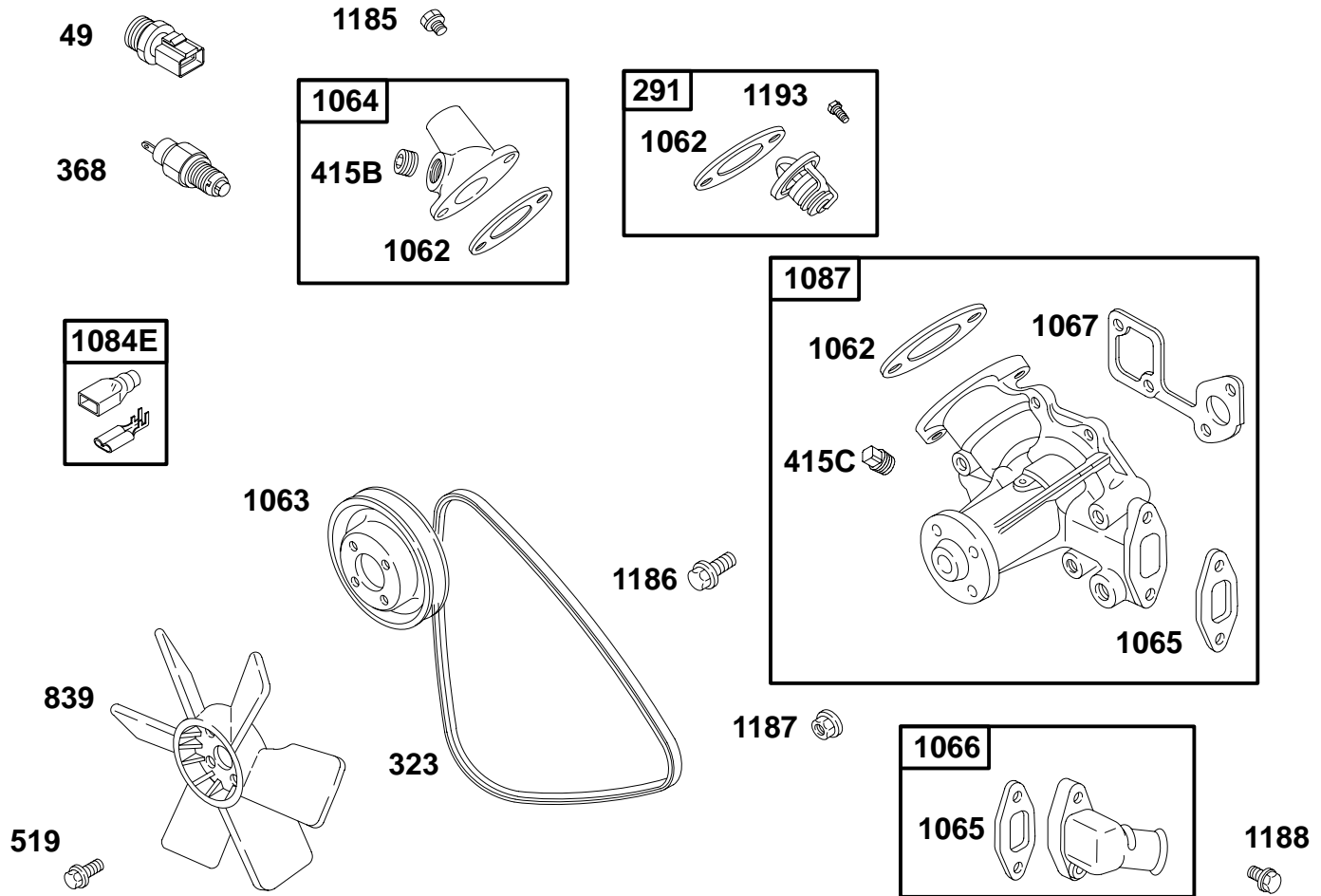


REF. NO.	PART NO.	DESCRIPTION	REF. NO.	PART NO.	DESCRIPTION	REF. NO.	PART NO.	DESCRIPTION
77	820209	Motor-Servo	493D	820876	Bracket-Mounting	1084B	825156	Connector-Terminal
188	820174	Screw (Control Bracket)	813	820047	Clamp	1084C	825157	Connector-Terminal
212	820226	Link-Throttle Used on Type No(s). 0115, 0116, 0215, 0216, 0217, 0317.	992	820228	Screw (Servo Motor)	1084F	825162	Connector-Terminal
222	825062	Bracket-Control Used on Type No(s). 0116. (Used Before Code Date 98030100).	1048	825284	Module-Electronic Governor (Diode and Instructions Included) Used on Type No(s). 0216, 0217, 0317.	1084G	825163	Connector-Terminal
232	820227	Spring-Governor Link				1085	821082	Module-Ignition
259	820224	Bracket-Casing Clamp Used on Type No(s). 0115, 0215, 0217, 0317.				1086	825009	Trigger-Ignition
265	691024	Clamp-Casing				1181	820029	Screw (Ignition Trigger)
267	820229	Screw (Casing Clamp)				1181A	820013	Screw (Ignition Trigger)
318D	820034	Screw (Mounting Bracket)						

★ Engine Gasket Set – Reference 358
 Δ Valve Gasket Set – Reference 1095

◆□♣ Carburetor Overhaul Kit – Reference 121, 121A or 121B

433400

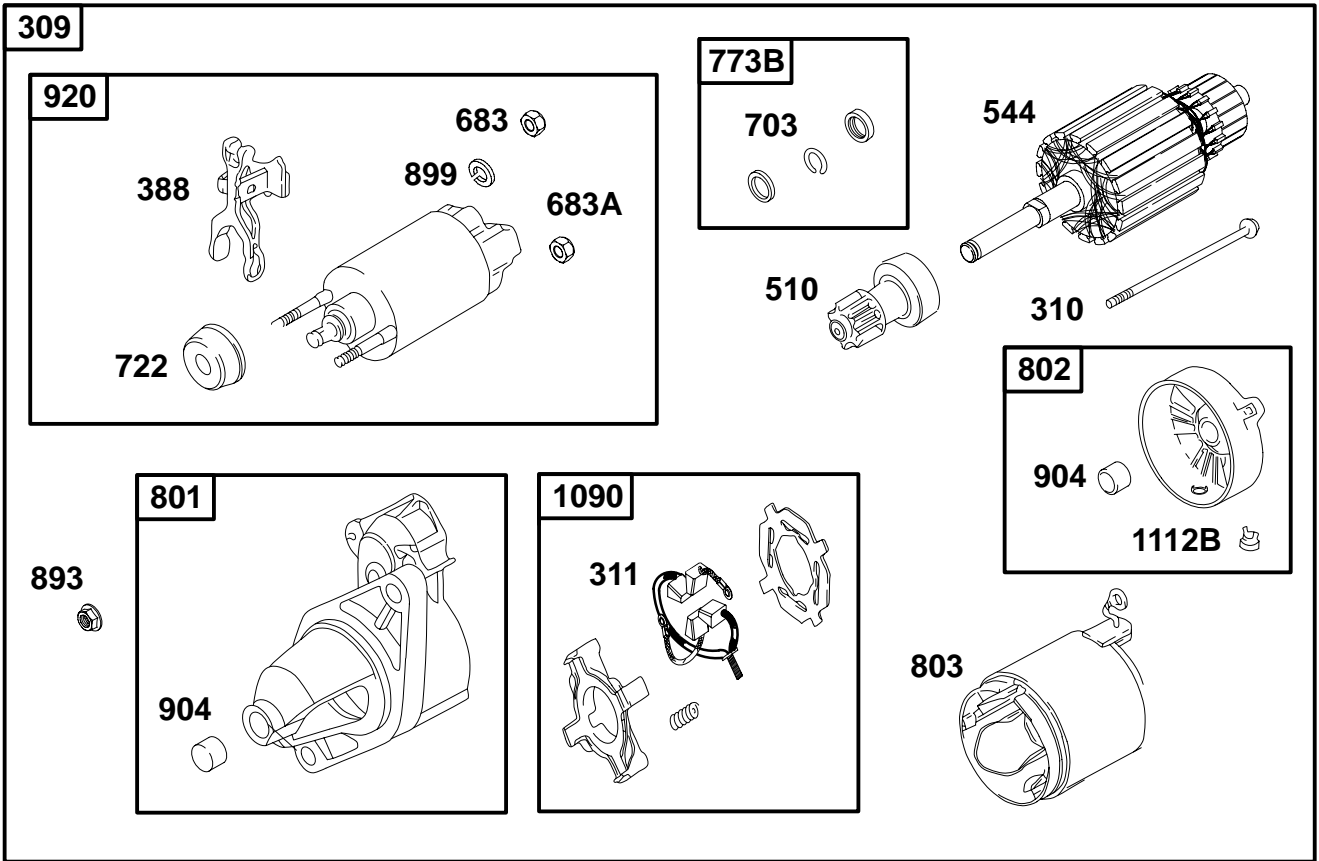


REF. NO.	PART NO.	DESCRIPTION	REF. NO.	PART NO.	DESCRIPTION	REF. NO.	PART NO.	DESCRIPTION
49	820590	Sensor–Water Temperature Used on Type No(s). 0116, 0216, 0217, 0317.	415B	820052	Plug (Outlet Housing)	1065	★820098	Gasket–Inlet Housing
291	825064	Thermostat	415C	820182	Plug (Water Pump)	1066	825051	Housing–Inlet
323	820239	Belt–Vee (925 mm) Used on Type No(s). 0217, 0317.	519	820034	Screw (Radiator Fan)	1067	★820100	Gasket–Water Pump
		Note ———	839	825076	Fan–Radiator	1084E	825160	Connector–Terminal
		820288 Belt–Vee (915 mm) Used on Type No(s). 0115, 0116, 0215, 0216.	1062	★820093	Gasket–Outlet Housing	1087	825275	Pump–Water
368	820208	Switch–Water Temperature	1063	820095	Pulley–Pump	1185	820031	Screw (Outlet Housing)
			1064	825074	Housing–Outlet Used on Type No(s). 0217, 0317.	1186	820022	Screw (Water Pump)
				Note ———	1187	820181	Nut (Water Pump)	
				825267 Housing– Outlet Used on Type No(s). 0116, 0216.	1188	820031	Screw (Inlet Housing)	
					1193	820185	Screw (Thermostat)	

★ Engine Gasket Set – Reference 358
 Δ Valve Gasket Set – Reference 1095

◆□♣ Carburetor Overhaul Kit – Reference 121, 121A or 121B

0.8 KW RED LABEL

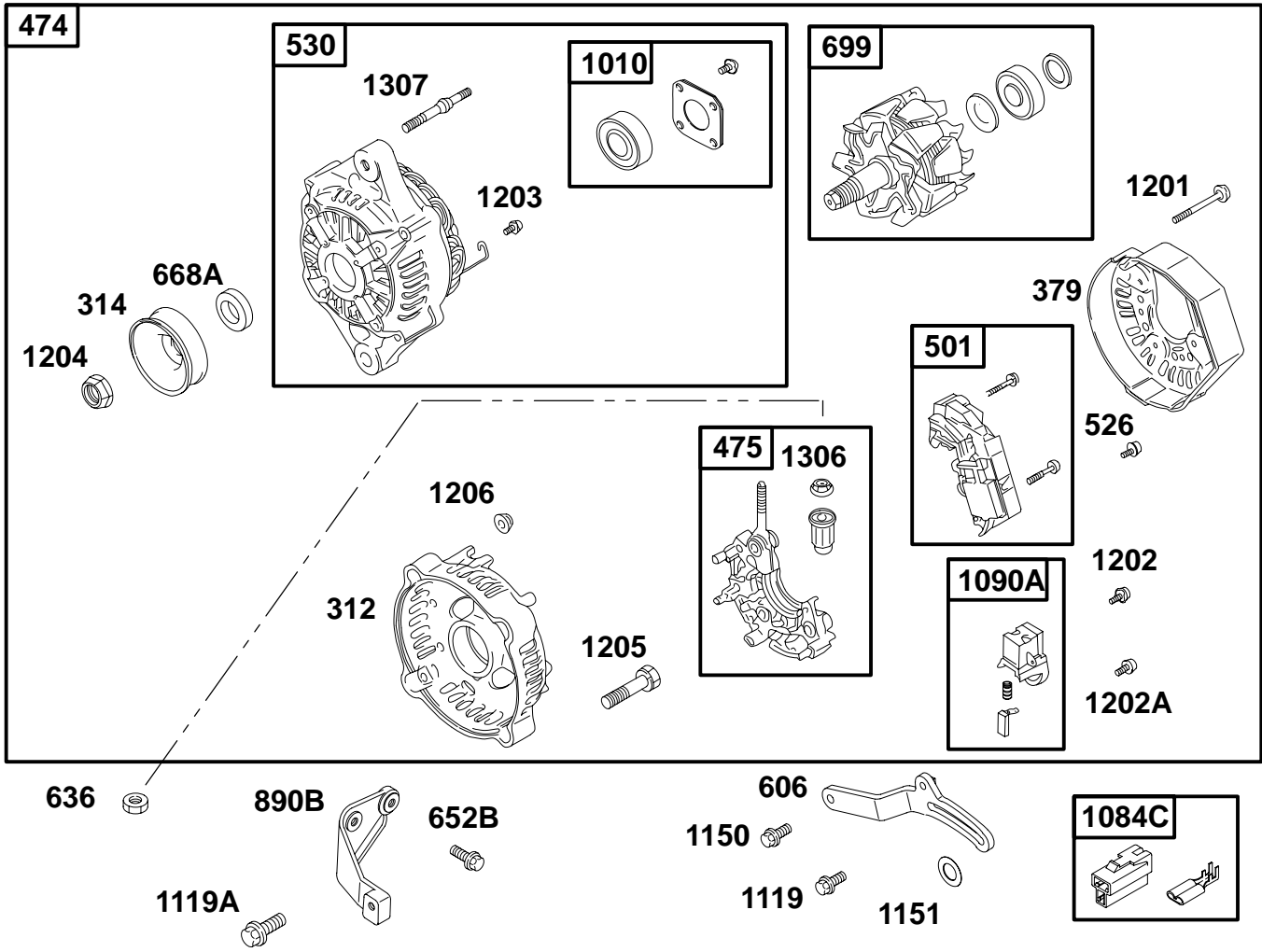


REF. NO.	PART NO.	DESCRIPTION	REF. NO.	PART NO.	DESCRIPTION	REF. NO.	PART NO.	DESCRIPTION
309	825095	Motor-Starter (0.8 KW)	697	820019	Screw (Drive Cap)	904	820793	Bearing-Needle
310	820807	Screw (Starter Motor)	703	820803	Clip	920	825418	Solenoid-Starter
311	825411	Brush Set	722	820801	Seal-Plunger	1090	825412	Retainer-Brush
388	820799	Lever-Pinion Drive	773B	825420	Retainer	1112B	820797	Plug-Vent
510	820789	Drive-Starter	801	820791	Cap-Drive			
544	825414	Armature-Starter	802	825416	Cap-End			
683	820813	Nut (Starter Solenoid) (Terminal)	803	820783	Housing-Starter			
683A	820809	Nut (Starter Solenoid) (Terminal)	893	820805	Nut (Starter Solenoid) (Terminal)			
			893A	820067	Nut (Starter Solenoid) (Terminal)			
			899	820811	Washer (Starter Solenoid) (Terminal)			

★ Engine Gasket Set – Reference 358
 Δ Valve Gasket Set – Reference 1095

◆□♣ Carburetor Overhaul Kit – Reference 121, 121A or 121B

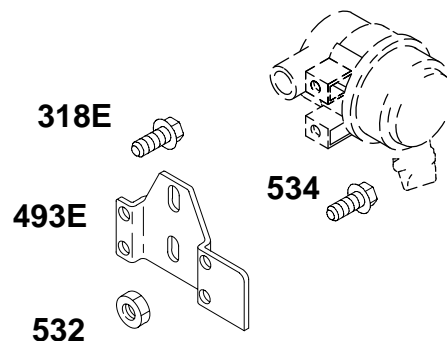
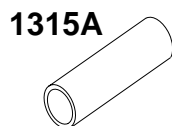
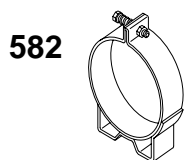
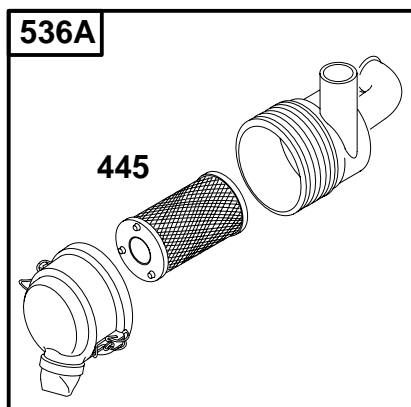
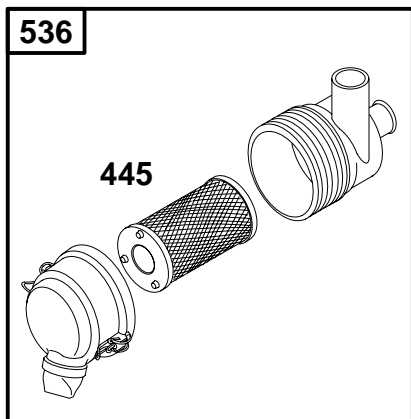
40 AMP



REF. NO.	PART NO.	DESCRIPTION	REF. NO.	PART NO.	DESCRIPTION	REF. NO.	PART NO.	DESCRIPTION
312	820692	Housing-Brush End	890B	820213	Bracket-Support	1201	820715	Screw (Brush Cover)
314	820711	Pulley-Alternator	1010	825384	Retainer-Bearing	1202	820701	Screw (Brush Retainer)
379	820703	Cover-Brush	1084C	825157	Connector-Terminal	1202A	820702	Screw (Brush Retainer)
474	825084	Alternator (40 Amp)	1090A	825387	Retainer-Brush	1203	820702	Screw (Ground Terminal)
475	825385	Rectifier	1119	820483	Screw (Alternator)	1204	820705	Nut (Alternator Pulley)
501	825388	Regulator	1119A	820270	Screw (Alternator)	1205	820707	Screw (Brush End Housing)
526	820702	Screw (Regulator)	1150	820023	Screw (Adjusting Strap)	1206	820707	Nut (Brush End Housing)
530	825383	Housing-Drive End	1151	820066	Washer (Adjusting Strap)	1306	820781	Nut (Rectifier)
606	820819	Strap-Adjusting				1307	820690	Stud (Drive End Housing)
636	820069	Nut (Starting Switch)						
652B	820275	Screw (Support Bracket)						
668A	820713	Spacer (Alternator)						
699	825390	Rotor Assembly						

★ Engine Gasket Set - Reference 358
 Δ Valve Gasket Set - Reference 1095

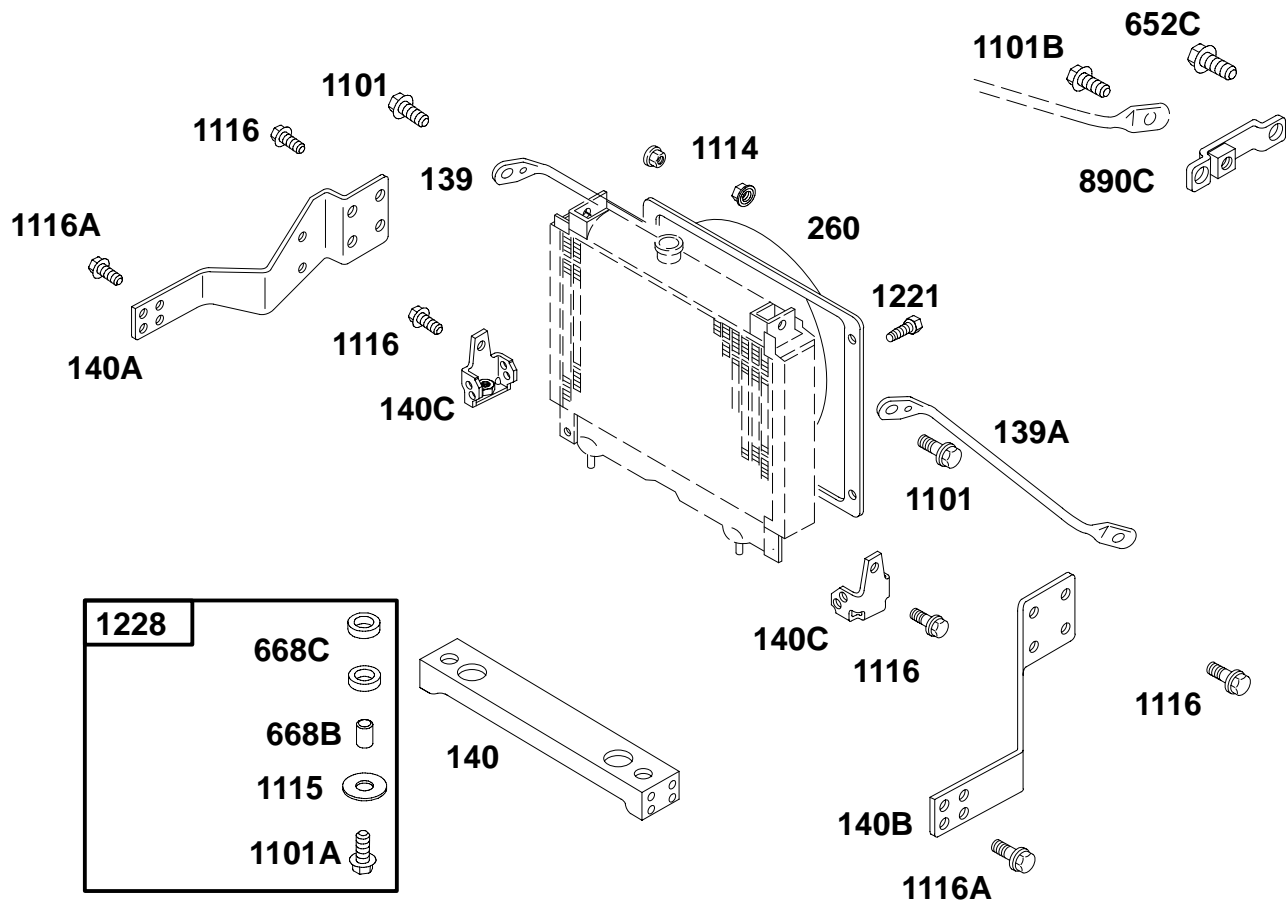
◆□♣ Carburetor Overhaul Kit - Reference 121, 121A or 121B



REF. NO.	PART NO.	DESCRIPTION	REF. NO.	PART NO.	DESCRIPTION	REF. NO.	PART NO.	DESCRIPTION
318E	820212	Screw (Mounting Bracket)	534	820273	Screw (Air Cleaner)	1315	820554	Hose-Air Cleaner
445	820263	Filter-Air Cleaner Cartridge	536	825117	Cleaner-Air (With Vacuum Adaptor)	1315A	820555	Hose-Air Cleaner
493E	820195	Bracket-Mounting (Air Cleaner)	536A	825118	Cleaner-Air (90 Degree Elbow With Vacuum Adaptor)	1315B	820556	Hose-Air Cleaner
532	820070	Nut (Mounting Bracket)	582	820230	Clamp-Air Cleaner			

★ Engine Gasket Set – Reference 358
 Δ Valve Gasket Set – Reference 1095

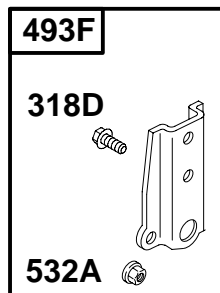
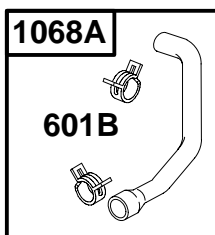
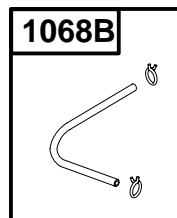
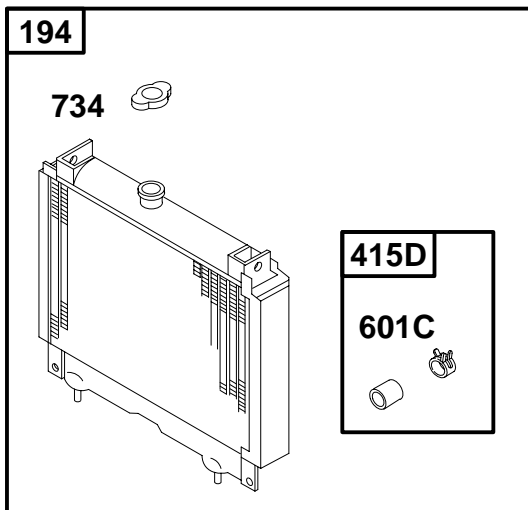
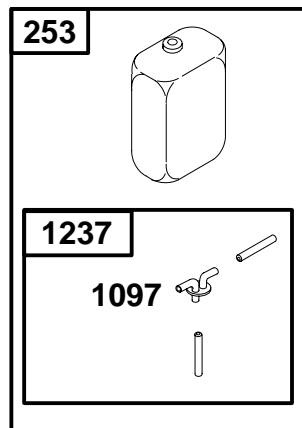
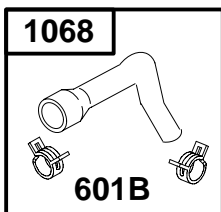
◆◻♣ Carburetor Overhaul Kit – Reference 121, 121A or 121B



REF. NO.	PART NO.	DESCRIPTION	REF. NO.	PART NO.	DESCRIPTION	REF. NO.	PART NO.	DESCRIPTION
139	820190	Support-Radiator (Right Hand)	652C	820452	Screw (Radiator Support)	1101	820272	Screw (Radiator Support)
139A	820191	Support-Radiator (Left Hand)	668B	820307	Spacer (Radiator Mount)	1101A	820309	Screw (Radiator Support)
140	820255	Bracket-Radiator (Front)	668C	820198	Spacer (Radiator Mount)	1101B	820273	Screw (Radiator Support)
140A	820192	Bracket-Radiator (Right Hand)	890C	820194	Bracket-Support (Radiator)	1114	820070	Nut (Radiator Support)
140B	820193	Bracket-Radiator (Left Hand)				1115	820296	Washer (Radiator Support)
140C	820294	Bracket-Radiator				1116	820023	Screw (Radiator Bracket)
260	820220	Shroud-Fan (320 mm) Used on Type No(s). 0217, 0317.				1116A	820174	Screw (Radiator Bracket)
						1221	820636	Screw (Fan Shroud)
						1228	825135	Mount-Radiator

★ Engine Gasket Set – Reference 358
 Δ Valve Gasket Set – Reference 1095

◆□♣ Carburetor Overhaul Kit – Reference 121, 121A or 121B

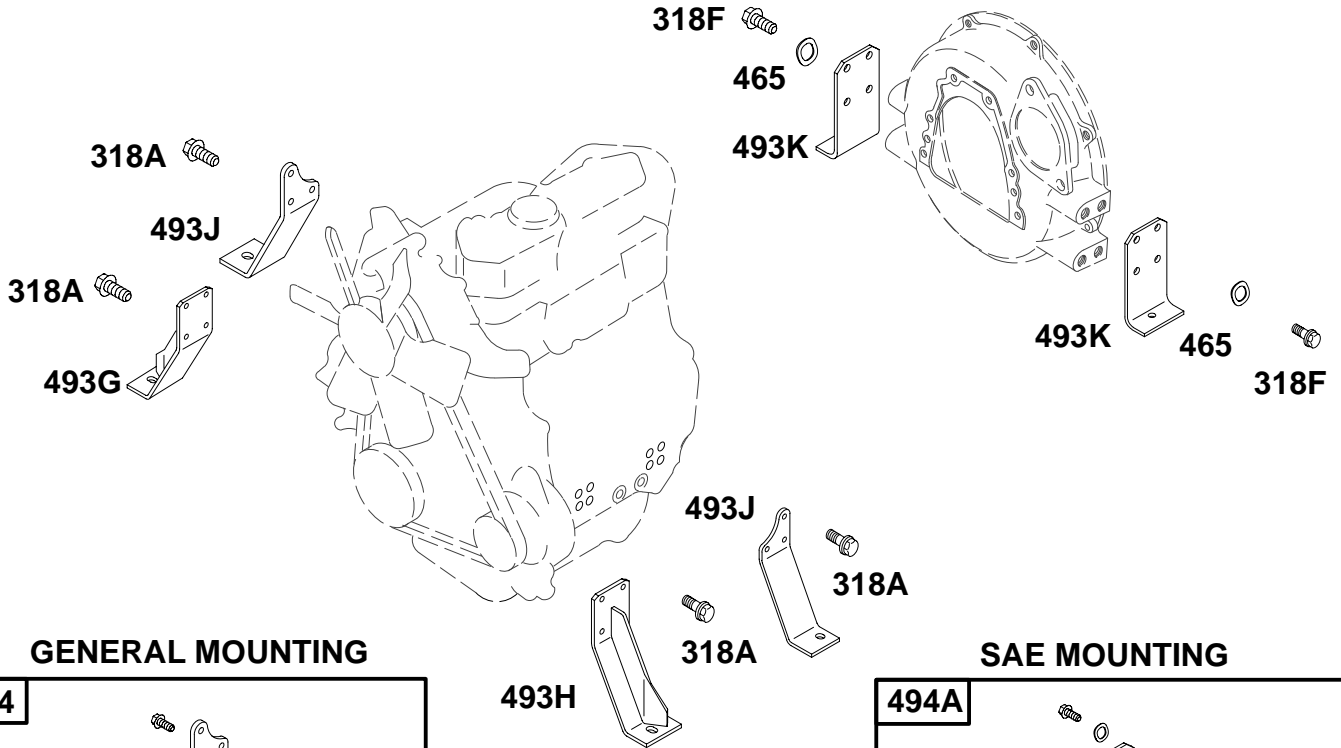


REF. NO.	PART NO.	DESCRIPTION	REF. NO.	PART NO.	DESCRIPTION	REF. NO.	PART NO.	DESCRIPTION
194	825068	Radiator Used on Type No(s). 0217, 0317.	493F	825106	Bracket-Mounting	1068	825134	Hose/Clamp Assembly (Outlet)
253	825462	Tank-Reserve	532A	820011	Nut (Mounting Bracket)	1068A	825133	Hose/Clamp Assembly (Inlet)
318D	820034	Screw (Mounting Bracket)	601B	820256	Clamp-Hose	1068B	825296	Hose/Clamp Assembly
415D	825075	Plug (Outlet Housing)	601C	820201	Clamp-Hose	1097	820287	Cap-Surge Tank
			734	820258	Cap-Radiator	1237	825427	Cap/Hose Reserve

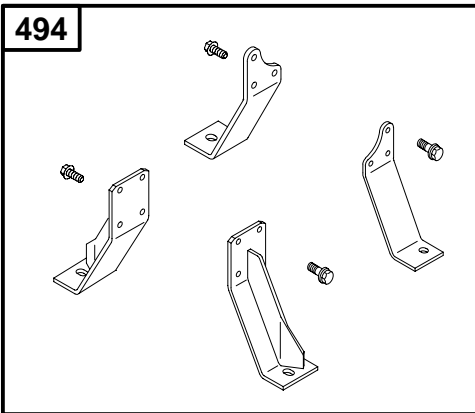
★ Engine Gasket Set – Reference 358
 Δ Valve Gasket Set – Reference 1095

◆□♣ Carburetor Overhaul Kit – Reference 121, 121A or 121B

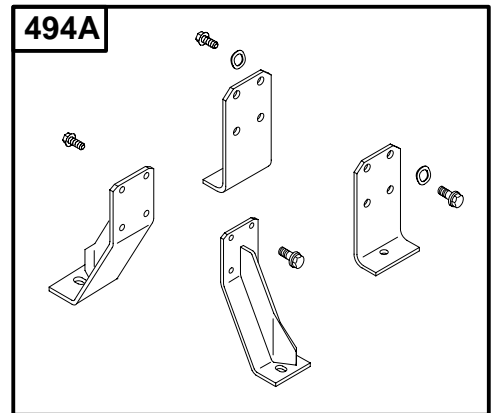
SAE



GENERAL MOUNTING



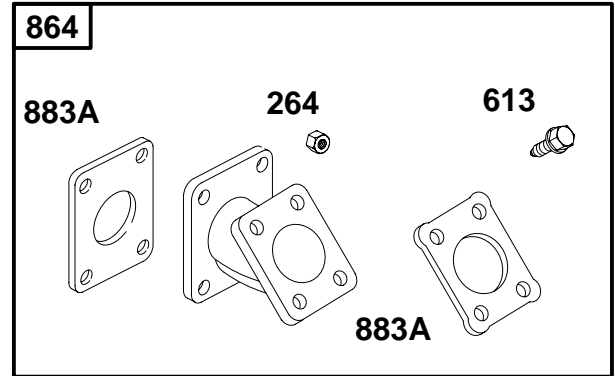
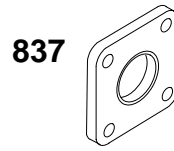
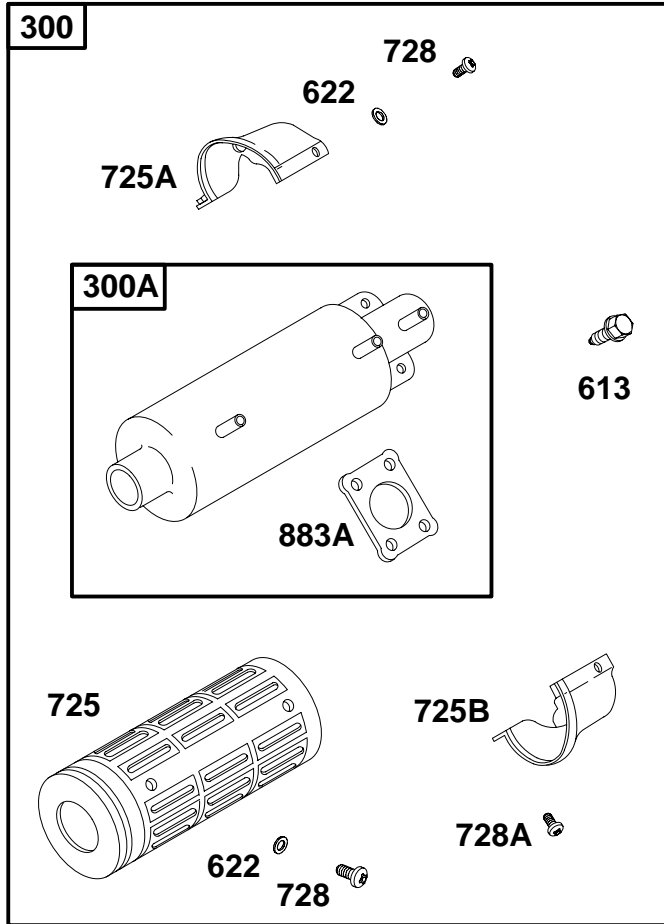
SAE MOUNTING



REF. NO.	PART NO.	DESCRIPTION	REF. NO.	PART NO.	DESCRIPTION	REF. NO.	PART NO.	DESCRIPTION
318A	820024	Screw (Mounting Bracket) (Used With Engine Mounts Only)	465	820449	Washer (Mounting Bracket)	494	825214	Mount-Engine (General Mounting)
		Note	493G	820835	Bracket-Mounting (Front Right) (General and SAE)	494A	825215	Mount-Engine (SAE Mounting)
		820023 Screw (Mounting Bracket) (Use Only When Front Engine Mounts And Radiator Brackets Are Installed)	493H	820832	Bracket-Mounting (Front Left) (General and SAE)			
318F	820306	Screw (Mounting Bracket)	493J	820833	Bracket-Mounting (Rear General)			
			493K	820834	Bracket-Mounting (Rear SAE)			

★ Engine Gasket Set – Reference 358
 Δ Valve Gasket Set – Reference 1095

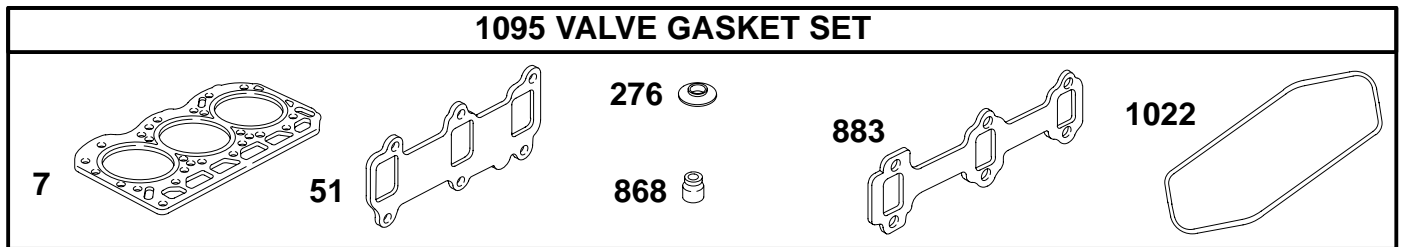
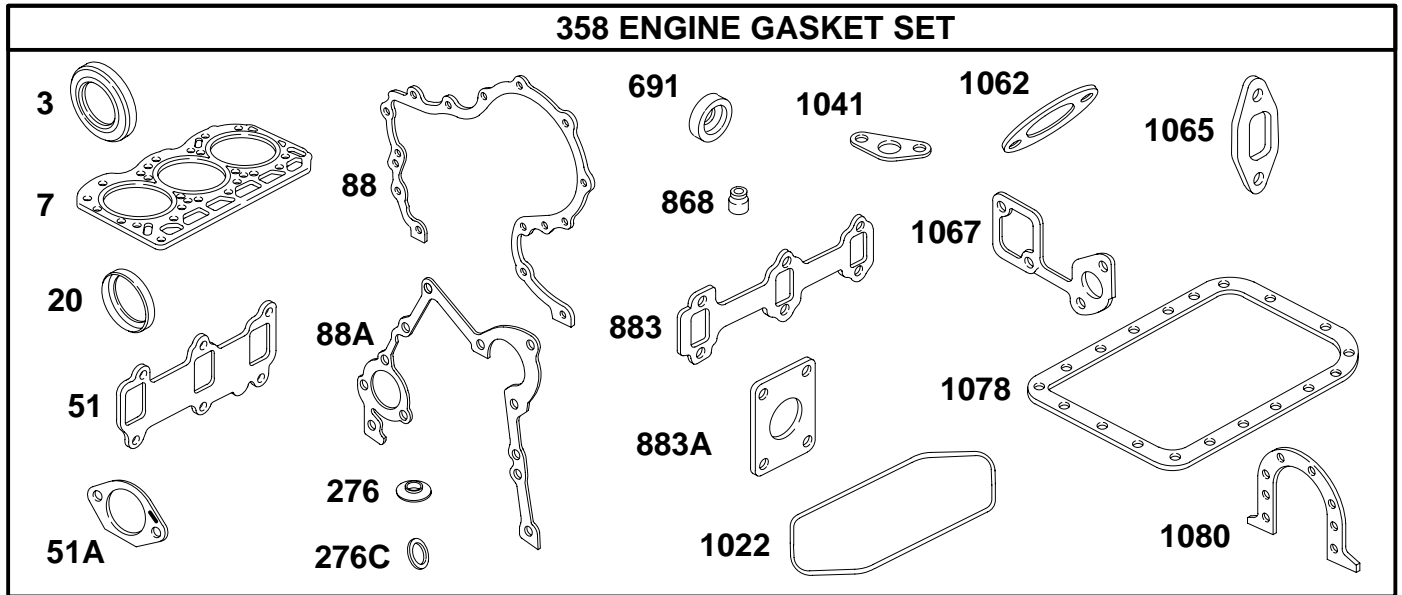
◆◻♣ Carburetor Overhaul Kit – Reference 121, 121A or 121B



REF. NO.	PART NO.	DESCRIPTION	REF. NO.	PART NO.	DESCRIPTION	REF. NO.	PART NO.	DESCRIPTION
264	820178	Nut (Muffler Adapter)	622	820631	Washer (Heat Shield)	728	821011	Screw (Heat Shield)
300	825200	Muffler	725	820628	Shield-Heat	728A	820431	Screw (Heat Shield)
300A	825550	Muffler	725A	820629	Shield-Heat	837	820867	Spacer-Muffler
613	820023	Screw (Muffler)	725B	820630	Shield-Heat	864	825358	Adapter-Muffler
						883A	821001	Gasket-Exhaust (Muffler)

★ Engine Gasket Set – Reference 358
 Δ Valve Gasket Set – Reference 1095

◆□♣ Carburetor Overhaul Kit – Reference 121, 121A or 121B



REF. NO.	PART NO.	DESCRIPTION	REF. NO.	PART NO.	DESCRIPTION	REF. NO.	PART NO.	DESCRIPTION	
3	★8201071	Seal—Oil (Magneto Side)	276	★△820064	Washer—Sealing (Rocker Cover)	883	★△820817	Gasket—Exhaust (Exhaust Manifold)	
7	★△820650	Gasket—Cylinder Head	276C	★820582	Washer—Sealing (Oil Drain Plug) (16 mm)	883A	★821001	Gasket—Exhaust (Muffler)	
20	★821073	Seal—Oil (PTO Side)			Note	1022	★△820150	Gasket—Rocker Cover	
51	△★820087	Gasket—Intake (Intake Manifold)			★820049	Washer—Sealing (Oil Drain Plug) (12 mm)	1041	★820104	Gasket—Oil Pump Screen
51A	★820385	Gasket—Intake					1062	★820093	Gasket—Outlet Housing
88	★820148	Gasket—Gear Reduction Cover	358	825378	Gasket Set—Engine		1065	★820098	Gasket—Inlet Housing
88A	★820155	Gasket—Gear Reduction Cover	691	★820054	Seal—Governor Shaft		1067	★820100	Gasket—Water Pump
			868	★△820041	Seal—Valve		1078	★820137	Gasket—Oil Pan
							1080	★820145	Gasket—Seal Retainer
							1095	825379	Gasket Set—Valve (Used After Code Date 98123100).
								Note	
								825057	Gasket Set—Valve (Used Before Code Date 99010100).

★ Engine Gasket Set – Reference 358
 △ Valve Gasket Set – Reference 1095

◆□♣ Carburetor Overhaul Kit – Reference 121, 121A or 121B

1019

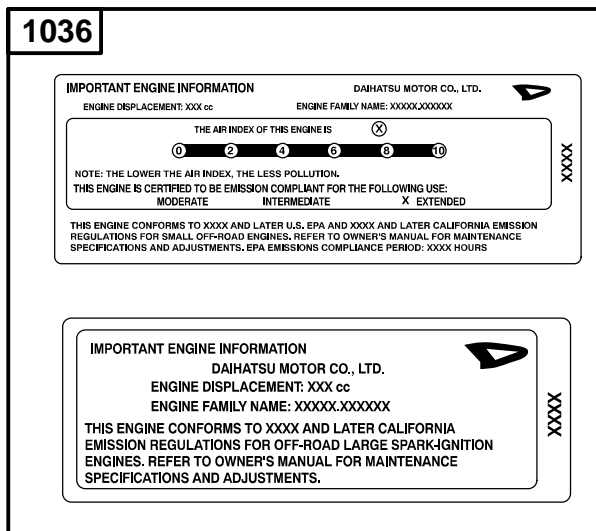


1040



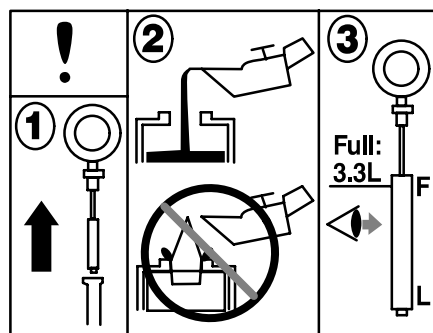
1058 OPERATOR'S MANUAL

1036



1330 REPAIR MANUAL

1319



REF. NO.	PART NO.	DESCRIPTION	REF. NO.	PART NO.	DESCRIPTION	REF. NO.	PART NO.	DESCRIPTION
1019	820289	Kit-Label	1036	825620	Label-Emissions (Used After Code Date 01073100). Note 825623 Label-Emissions (Used Before Code Date 01080100 and After Code Date 99123100). 825281 Label Emissions (Used Before Code Date 00010100).	1040	820290	Plate-Trim
						1058	820883	Operator's Manual
						1319	820891	Label-Warning
						1330	MS0750	Repair Manual

★ Engine Gasket Set – Reference 358
 Δ Valve Gasket Set – Reference 1095

◆□♣ Carburetor Overhaul Kit – Reference 121, 121A or 121B