

445700

Illustrated Parts List

Model Series

445700

TYPE NUMBERS
0105 through 0352.

TABLE OF CONTENTS

Air Cleaner	6
Alternators	8
Blower Housing/Shrouds	6
Camshaft	3
Carburetor	5
Controls	7
Crankcase Sump	2
Crankshaft	3
Cylinder	2
Cylinder Head	4
Electric Starter	7
Exhaust System	5
Flywheel	7
Ignition	8
Kit/Gasket Set - Carburetor	5
Kit/Gasket Set - Engine	2
Kit/Gasket Set - Valve	4
Lubrication	3
Piston, Rings, Connecting Rod	3
Valves	4

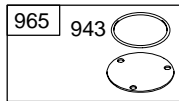
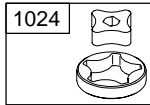
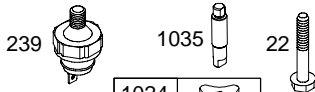
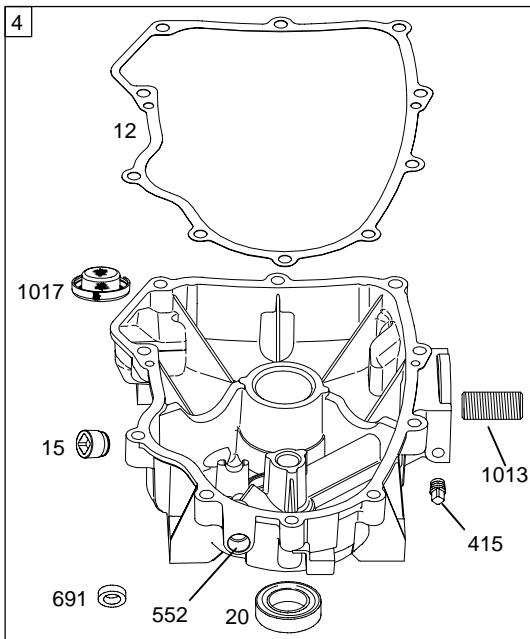
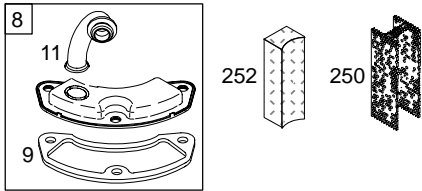
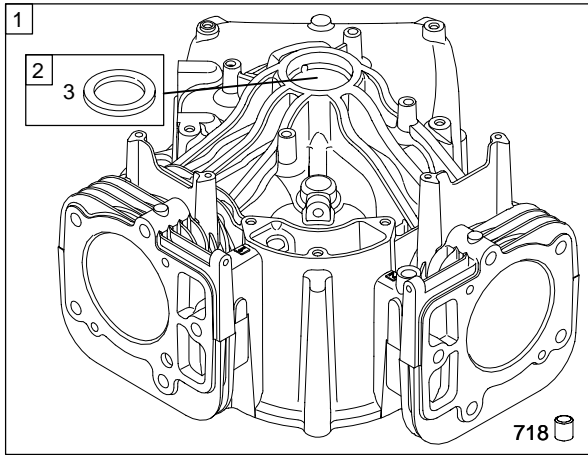


PRINTED IN U.S.A.

COPYRIGHT by BRIGGS & STRATTON CORPORATION
All rights reserved. No part of this material may be reproduced or transmitted, in any form or by any means, electronic or mechanical, including photocopying, recording or by any information storage and retrieval system, without permission in writing from Briggs & Stratton Corporation.



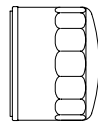
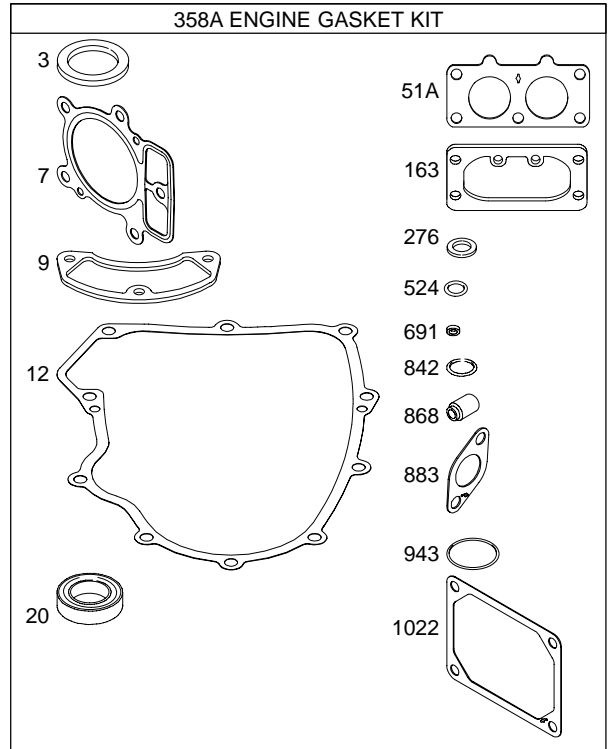
0 24847 09288 2

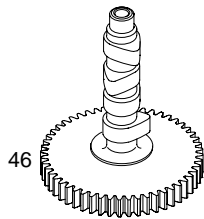
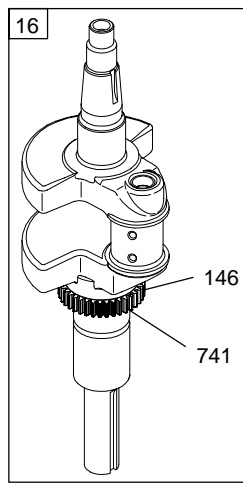
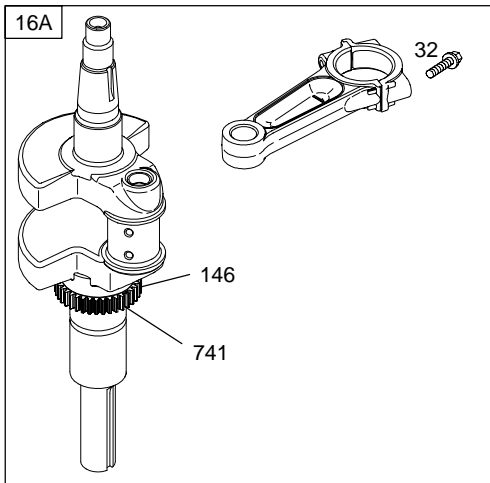
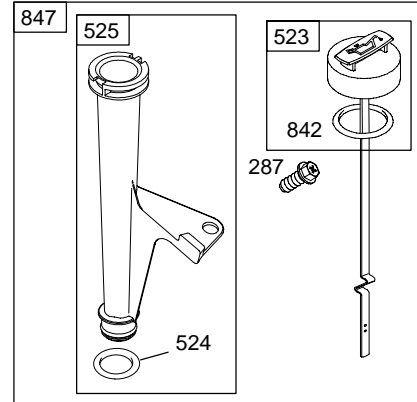
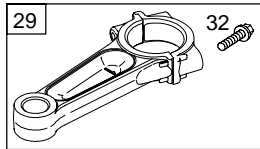
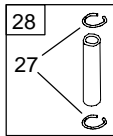
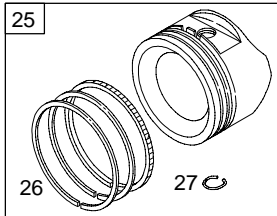


1019 LABEL KIT

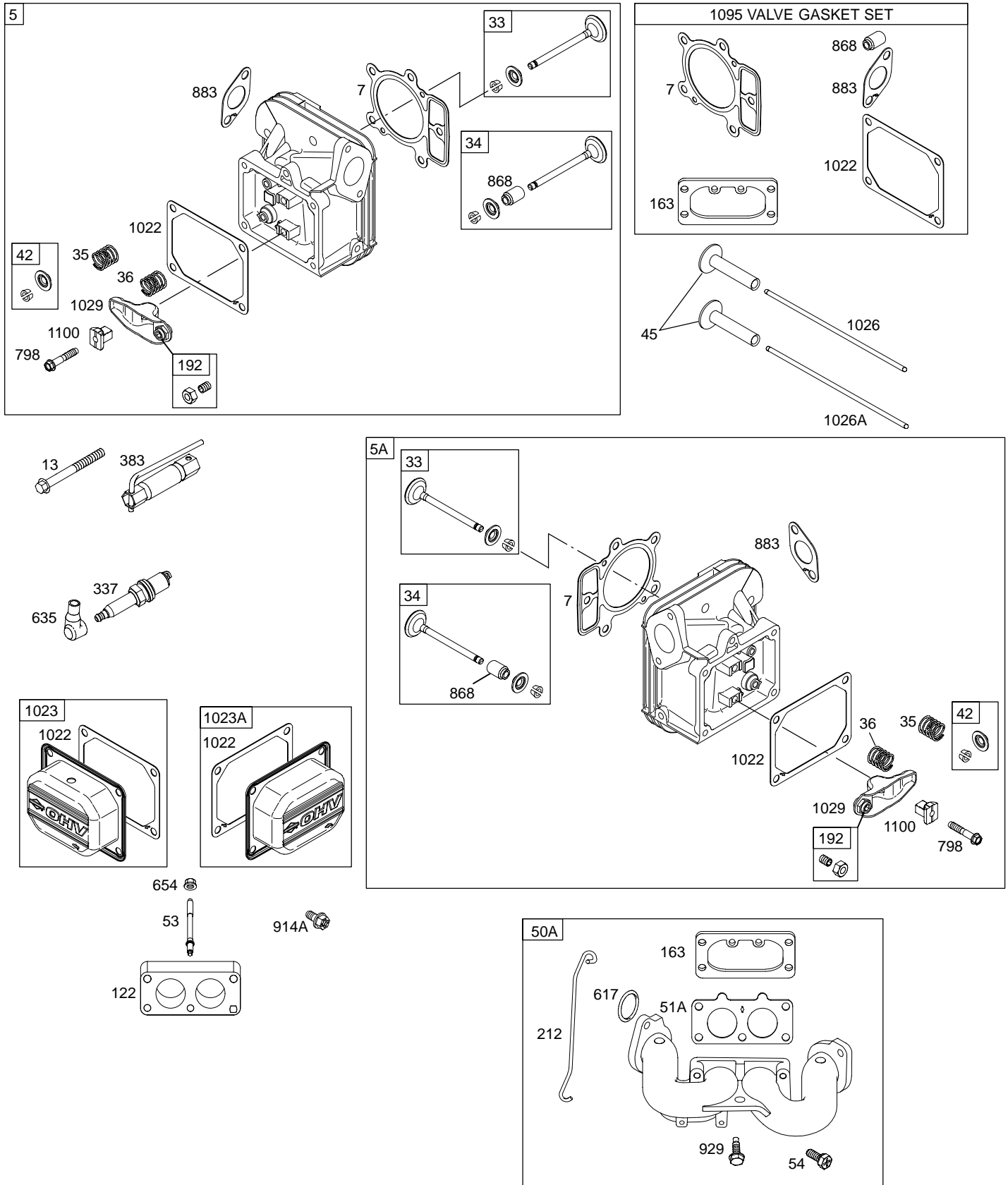
1058 OPERATOR'S MANUAL

1330 REPAIR MANUAL

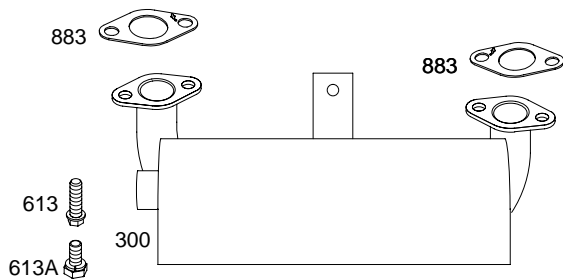
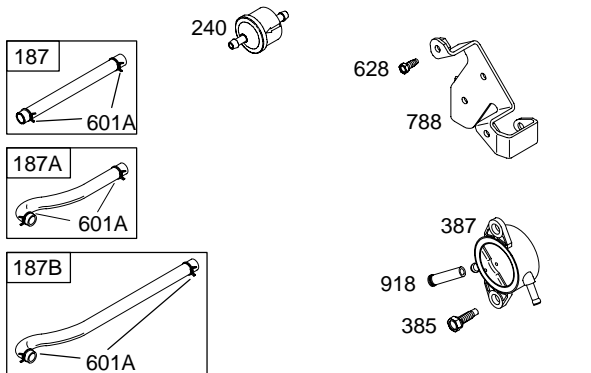
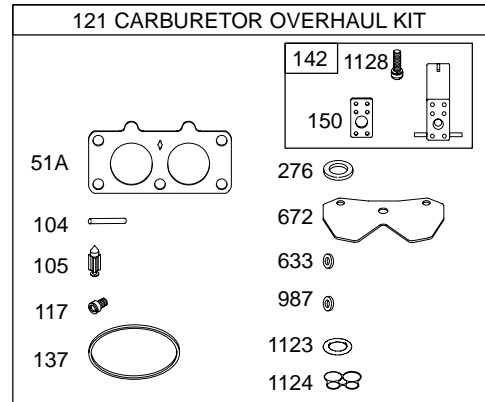
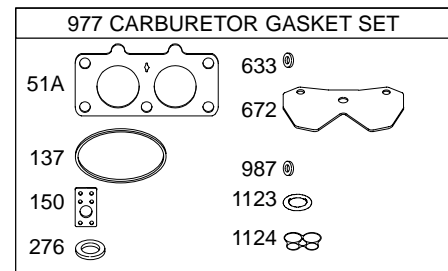
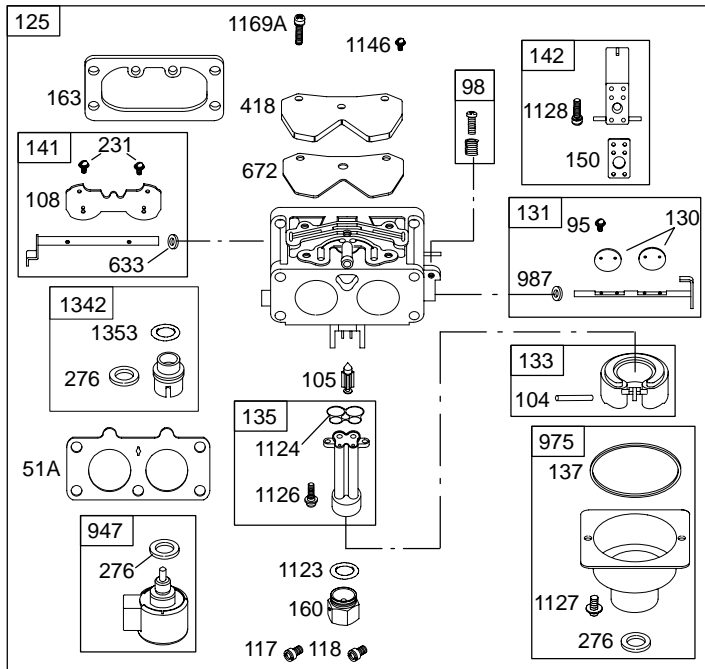




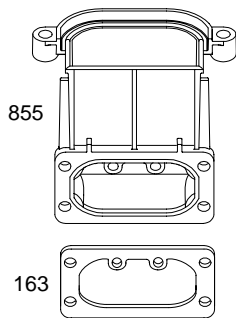
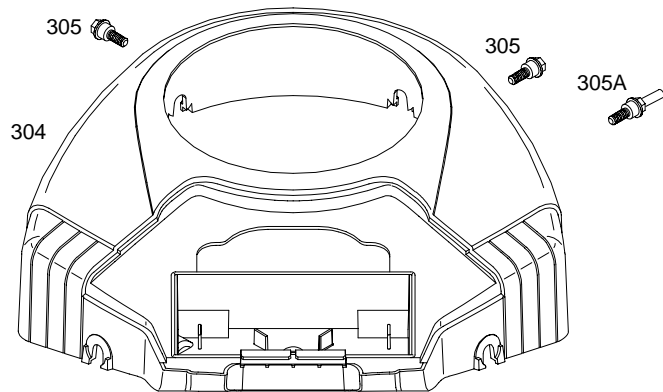
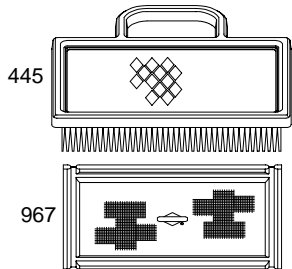
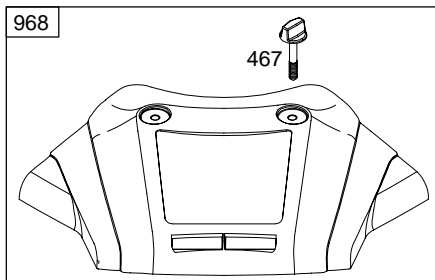
445700



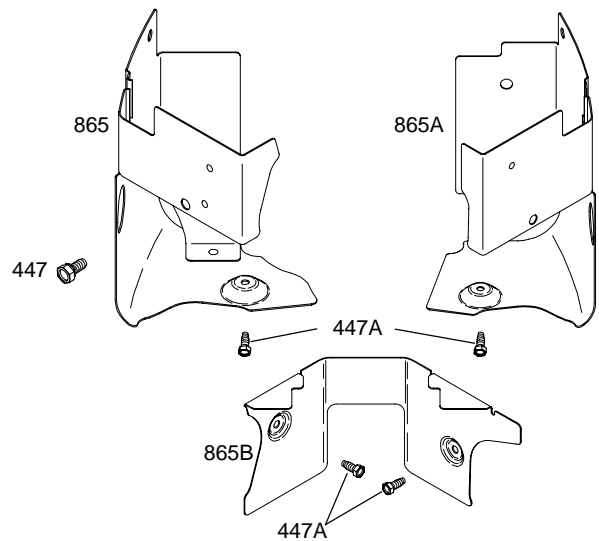
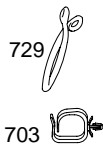
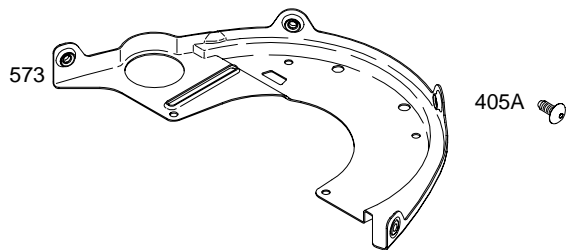
Illustrations cover a range of engines. Parts shown without corresponding text may not be used on your specific engine.
 6099-4 Assemblies include all parts shown in frames. 06/02/2004



445700

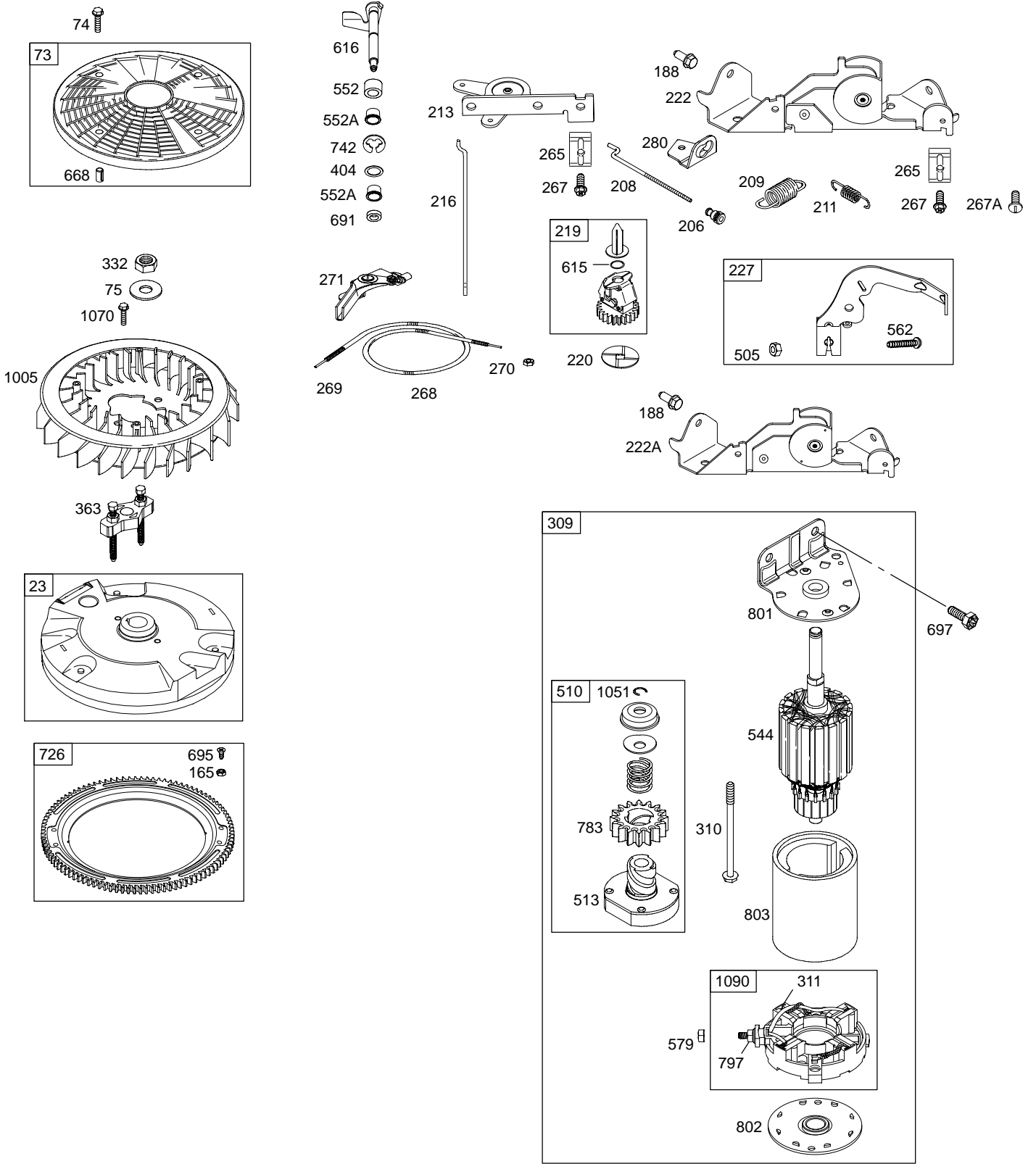


1036 EMISSION LABEL




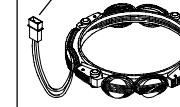

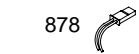
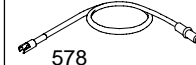






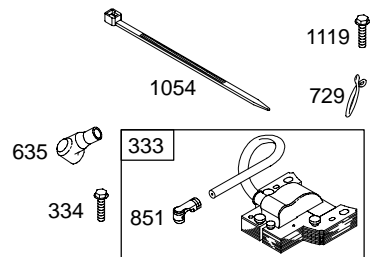
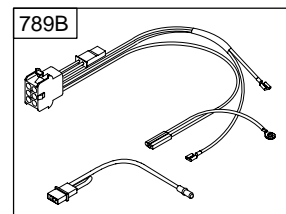
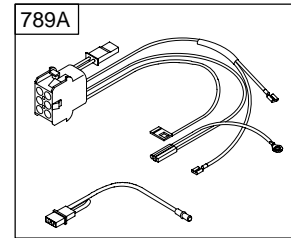
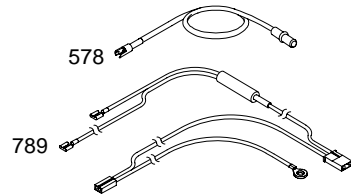
Illustrations cover a range of engines. Parts shown without corresponding text may not be used on your specific engine.
6099-6 Assemblies include all parts shown in frames.

06/02/2004



Illustrations cover a range of engines. Parts shown without corresponding text may not be used on your specific engine.
 6099-7 Assemblies include all parts shown in frames. 06/02/2004

DUAL CIRCUIT	TRI CIRCUIT	9 AMP	10 AMP	16 AMP
<div style="border: 1px solid black; padding: 2px; display: inline-block;">474B</div> 	<div style="border: 1px solid black; padding: 2px; display: inline-block;">474C</div> 	<div style="border: 1px solid black; padding: 2px; display: inline-block;">474C</div> 	<div style="border: 1px solid black; padding: 2px; display: inline-block;">474D</div> 	<div style="border: 1px solid black; padding: 2px; display: inline-block;">474D</div> 
				
<p>NOTE: All Stators Use a No. 1119 Mounting Screw. </p> <p>NOTE: The proper flywheel part number and/or the alternator magnet size will determine the alternator type or output. See repair instruction manual for additional information.</p>				



REF. NO.	PART NO.	DESCRIPTION	REF. NO.	PART NO.	DESCRIPTION	REF. NO.	PART NO.	DESCRIPTION
1	699753	Cylinder Assembly (Used After Code Date 03090100) ----- Note ----- 694001 Cylinder Assembly (Used Before Code Date 03090200)	16A	699701	Crankshaft (Includes Connecting Rods) (Used Before Code Date 03122800). ----- Note ----- 790133 Crankshaft (Used Before Code Date 03122800). Used on Type No(s). 0112, 0133.	26	694004	Ring Set (Standard) ----- Note ----- 694006 Ring Set (.010" Oversize) 694008 Ring Set (.020" Oversize) 694010 Ring Set (.030" Oversize)
2	499585	Kit-Bushing/Seal (Magneto Side)			790137 Crankshaft (Used Before Code Date 03122800). Used on Type No(s). 0315.	27	690975	Lock-Piston Pin
3	★391086	Seal-Oil (Magneto Side)				28	690229	Pin-Piston
4	699747	Sump-Engine (Used After Code Date 03082800) ----- Note ----- 690069 Sump-Engine (Used Before Code Date 03082900)	20	★690947	Seal-Oil (PTO Side)	29	699699	Rod-Connecting (Used After Code Date 03122700) ----- Note ----- (Used Before Code Date 03122800) (For Replacement Connecting Rod, See Reference 16A)
5	693998	Head-Cylinder (Cylinder 1)	22	694966	Screw (Crankcase Cover/Sump)			697253 Rod-Connecting (.020" Undersize)
5A	693999	Head-Cylinder (Cylinder 2)	23	691053	Flywheel ----- Note ----- 691054 Flywheel Used on Type No(s). 0126, 0248, 0263.	32	690976	Screw (Connecting Rod)
7	★Δ693997	Gasket-Cylinder Head				33	499596	Valve-Exhaust
8	499601	Breather Assembly	24	222698	Key-Flywheel	34	697464	Valve-Intake
9	★690937	Gasket-Breather	25	694003	Piston Assembly (Standard) ----- Note ----- 694005 Piston Assembly (.010" Oversize) 694007 Piston Assembly (.020" Oversize) 694009 Piston Assembly (.030" Oversize)	35	690963	Spring-Valve (Intake)
10	691108	Screw (Breather Assembly)				36	690963	Spring-Valve (Exhaust)
11	690942	Tube-Breather				42	499586	Keeper-Valve
12	★697227	Gasket-Crankcase				45	690977	Tappet-Valve
13	690360	Screw (Cylinder Head)						
15	691680	Plug-Oil Drain (1/2" Square Flush)						
16	699700	Crankshaft (Used After Code Date 03122700). ----- Note ----- 790132 Crankshaft (Used After Code Date 03122700). Used on Type No(s). 0112, 0133. 790136 Crankshaft (Used After Code Date 03122700). Used on Type No(s). 0315.						

★ Included in Engine Gasket Set-Ref. No.358.

● Included in Carburetor Overhaul Kit-Ref. No. 121.

◆ Included in Carburetor Gasket Set-Ref. No. 977.

Δ Included in Valve Gasket Set-Ref. No 1095.

Illustrations cover a range of engines. Parts shown without corresponding text may not be used on your specific engine.

445700

REF. NO.	PART NO.	DESCRIPTION	REF. NO.	PART NO.	DESCRIPTION	REF. NO.	PART NO.	DESCRIPTION
46	699748	Camshaft (Used After Code Date 03082800) ----- Note ----- 690978 Camshaft (Used Before Code Date 03082900)	108	690986	Valve-Choke	135	699729	Tube-Fuel Transfer (Used After Code Date 03102200) ----- Note ----- 499803 Tube-Fuel Transfer (Used Before Code Date 03102300)
50A	695241	Manifold - Intake (Aluminum)	117	699732	Jet-Main (Standard) (Used After Code Date 03102200) ----- Note ----- 690232 Jet-Main (Standard) (Used Before Code Date 03102300)	137	690994	Gasket-Float Bowl
51A	690950	Gasket-Intake	118	690989	Jet-Main (High Altitude)	141	699722	Kit-Choke Shaft (Used After Code Date 03102200) ----- Note ----- 499807 Kit-Choke Shaft (Used Before Code Date 03102300)
53	690951	Stud (Carburetor)	121	699734	Kit-Carburetor Overhaul (Used After Code Date 03102200) ----- Note ----- 499811 Kit-Carburetor Overhaul (Used Before Code Date 03102300)	142	699726	Nozzle-Carburetor (Standard) (Used After Code Date 03102200) ----- Note ----- 499808 Nozzle-Carburetor (Standard) (Used Before Code Date 03102300)
54	695240	Screw (Intake Manifold)(Used With Plastic Intake Manifold)	122	690952	Spacer-Carburetor	146	690979	Key-Timing
73	494439	Screen-Rotating	125	699709	Carburetor (Used After Code Date 03102200) ----- Note ----- 499804 Carburetor (Used Before Code Date 03102300)	150	690995	Gasket-Nozzle
74	698425	Screw (Rotating Screen)	130	690993	Valve-Throttle	160	699727	Retainer-Solenoid (Used After Code Date 03102200) ----- Note ----- 690996 Retainer-Solenoid (Used Before Code Date 03102300)
75	691056	Washer (Flywheel)	131	699812	Kit-Throttle Shaft (Used After Code Date 03082800) ----- Note ----- 499805 Kit-Throttle Shaft (Used Before Code Date 03082900)	163	691001	Gasket-Air Cleaner
95	690718	Screw (Throttle Valve)	133	699724	Float-Carburetor (Used After Code Date 03102200) ----- Note ----- 499806 Float-Carburetor (Used Before Code Date 03102300)	165	693148	Nut (Ring Gear)
98	699721	Kit-Idle Speed (Used After Code Date 03102200) ----- Note ----- 499802 Kit-Idle Speed (Used Before Code Date 03102300)						
104	694918	Pin-Float Hinge (Used After Code Date 03102200) ----- Note ----- 690984 Pin-Float Hinge (Used Before Code Date 03102300)						
105	698537	Valve-Float Needle (Used After Code Date 03102200) ----- Note ----- 690985 Valve-Float Needle (Used Before Code Date 03102300)						

★ Included in Engine Gasket Set-Ref. No.358.

● Included in Carburetor Overhaul Kit-Ref. No. 121.

◆ Included in Carburetor Gasket Set-Ref. No. 977.

△ Included in Valve Gasket Set-Ref. No 1095.

Illustrations cover a range of engines. Parts shown without corresponding text may not be used on your specific engine.

REF. NO.	PART NO.	DESCRIPTION	REF. NO.	PART NO.	DESCRIPTION	REF. NO.	PART NO.	DESCRIPTION
187	691050	Line-Fuel (Cut To Required Length)	222	691023	Bracket-Control ----- Note ----- 698761	287	691108	Screw (Dipstick Tube)
187A	691049	Line-Fuel (Molded)			Bracket-Control Used on Type No(s). 0248.	300	696226	Muffler Used on Type No(s). 0133.
187B	693180	Line-Fuel (Molded) Used on Type No(s). 0112, 0129, 0154, 0155, 0170, 0172.	222A	698757	Bracket-Control Used on Type No(s). 0352.	304	695277	Housing-Blower (Black)
188	691108	Screw (Control Bracket)	227	691048	Lever-Governor Control	305	691005	Screw (Blower Housing)
192	690083	Adjuster-Rocker Arm	231	690718	Screw (Choke Valve)	305A	698336	Screw (Blower Housing) Used on Type No(s). 0200, 0248.
208	690566	Rod-Governor Control	239	491657	Switch-Oil Pressure	309	691262	Motor-Starter ----- Note ----- 497595 Motor-Starter Used on Type No(s). 0200, 0231, 0248, 0263, 0315.
209	692909	Spring-Governor (Yellow) ----- Note ----- 697674 Spring-Governor (Brown) Used on Type No(s). 0027, 0112, 0114, 0115, 0122, 0126, 0127, 0129, 0134, 0154, 0155, 0168, 0170, 0200, 0211, 0231, 0248, 0263, 0315, 0352. 698071 Spring-Governor Used on Type No(s). 0133.	240	691035	Filter-Fuel	310	691263	Screw (Starter Motor) ----- Note ----- 690323 Screw (Starter Motor) Used on Type No(s). 0231, 0263.
211	691019	Spring-Governed Idle	250	690957	Retainer-Breather	311	497608	Brush Set
212	695238	Link-Throttle (Used With Plastic Intake Manifold)	252	690956	Collector-Oil	332	691059	Nut (Flywheel)
213	691021	Bracket-Choke Control	265	691024	Clamp-Casing	333	691060	Armature-Magneto
216	691022	Link-Choke	267	691044	Screw (Casing Clamp)	334	691061	Screw (Magneto Armature)
219	698231	Gear-Governor	267A	695134	Screw (Casing Clamp)(Pan Head) Used on Type No(s). 0112, 0129, 0154, 0155, 0168, 0170, 0172, 0248, 0352. (Casing Clamp)(Pan Head)(Used On Engines With E3 Trim)	337	691043	Plug-Spark ----- Note ----- 491055 Plug-Spark Used on Type No(s). 0116, 0126, 0134, 0135, 0352.
220	690412	Washer (Governor Gear)	268	691025	Casing-Control Wire (Cut To Required Length)	358A	694012	Gasket Set-Engine
			269	691026	Wire-Control (Cut To Required Length)	363	19203	Puller-Flywheel
			270	691027	Nut (Control Wire Casing)	383	19374	Wrench-Spark Plug
			271	691028	Lever-Control			
			276★◆●	690997	Washer-Sealing			
			280	691526	Bracket-Rod			

★ Included in Engine Gasket Set-Ref. No.358.

● Included in Carburetor Overhaul Kit-Ref. No. 121.

◆ Included in Carburetor Gasket Set-Ref. No. 977.

△ Included in Valve Gasket Set-Ref. No 1095.

Illustrations cover a range of engines. Parts shown without corresponding text may not be used on your specific engine.

445700

REF. NO.	PART NO.	DESCRIPTION	REF. NO.	PART NO.	DESCRIPTION	REF. NO.	PART NO.	DESCRIPTION
385	691108	Screw (Fuel Pump)	544		Armature - Starter (Service With 691262 Starter Motor Only)	633	◆●690998	Seal - Choke/Throttle Shaft
387	808656	Pump - Fuel			----- Note -----	635	66538	Boot - Spark Plug
404	690442	Washer (Governor Crank)			692034	654	690958	Nut (Carburetor)
405A	697820	Screw (Back Plate)(Mounting)			Armature - Starter Used on Type No(s). 0200, 0231, 0248, 0263, 0315.	668	691215	Spacer
415	690283	Plug (Sump)	552	690552	Bushing - Governor Crank	672	◆●690234	Gasket - Carburetor Plate
418	690999	Plate - Carburetor	552A	690553	Bushing - Governor Crank	691	★690657	Seal - Governor Shaft
445	499486	Filter - Air Cleaner Cartridge	562	690311	Bolt (Governor Control Lever)	695	693149	Screw (Ring Gear)
447	691003	Screw (Air Guide Cover)	573	691009	Plate - Back	697	690372	Screw (Drive Cap)
447A	691108	Screw (Air Guide Cover)	578	691208	Wire Assembly	703	691010	Clip
467	691008	Knob - Air Cleaner	579	691029	Nut (Starter Cable)	718	690959	Pin - Locating
474B	696459	Alternator (Dual Circuit) Used on Type No(s). 0113, 0126, 0127.	601A	691038	Clamp - Hose (Zinc Plate)(Spring Wire)	726	499612	Gear - Ring
474C	696457	Alternator Used on Type No(s). 0116, 0135.	613	690297	Screw (Muffler) Used on Type No(s). 0133.	729	694123	Clip - Wire
474D	696458	Alternator (10 - 16 Amp Regulated)	613A	690341	Screw (Muffler) Used on Type No(s). 0116, 0133.	741	690980	Gear - Timing
501	691185	Regulator (10 - 16 Amp Regulated)	615	698290	Retainer - Governor Shaft	742	690328	Retainer - E Ring
505	691029	Nut (Governor Control Lever)	616	691045	Crank - Governor	750	691033	Screw (Oil Pump Cover)
510	696541	Drive - Starter	617	691917	Seal - O Ring (Intake Manifold)(Used With Plastic Intake Manifold)	783	693058	Gear - Pinion
513	692024	Clutch - Drive	628	691108	Screw (Fuel Pump Bracket)	788	691039	Bracket - Fuel Pump
523	691036	Dipstick				789	691220	Harness - Wiring
524	★691032	Seal - Dipstick Tube				789A	698330	Harness - Wiring (6 Pin Customer Conversion)
525	691037	Tube - Dipstick				789B	696576	Harness - Wiring Used on Type No(s). 0155, 0168, 0172, 0352.
526	691108	Screw (Regulator)(16 Amp)(5/8" Long)				797	693167	Nut (Brush Retainer)
						798	697890	Screw (Rocker Arm)
						801	691283	Cap - Drive
						802	691286	Cap - End
						803		Housing - Starter (Service With 691262 Starter Motor Only) ----- Note ----- 693757 Housing - Starter

★ Included in Engine Gasket Set - Ref. No. 358.

● Included in Carburetor Overhaul Kit - Ref. No. 121.

◆ Included in Carburetor Gasket Set - Ref. No. 977.

△ Included in Valve Gasket Set - Ref. No. 1095.

Illustrations cover a range of engines. Parts shown without corresponding text may not be used on your specific engine.

6099-12

Assemblies include all parts shown in frames.

06/02/2004

REF. NO.	PART NO.	DESCRIPTION	REF. NO.	PART NO.	DESCRIPTION	REF. NO.	PART NO.	DESCRIPTION
842	★691031	Seal-O Ring (Dipstick Tube)	965	499613	Cover-Oil Pump	1051	691265	Ring-Retaining
847	499602	Dipstick/Tube Assembly	967	273638	Filter-Pre Cleaner	1054	280275	Tie-Cable
851	493880	Terminal-Spark Plug	968	499788	Cover-Air Cleaner	1058	275475	Operator's Manual (Emission)
855	691011	Adapter-Air Cleaner	975	499810	Bowl-Float	1059	698516	Kit-Screw/Washer
865	691012	Cover-Air Guide (Cylinder 1)	977	699735	Gasket Set-Carburetor (Used After Code Date 03102200).	1070	691058	Screw (Flywheel Fan)
865A	691014	Cover-Air Guide (Cylinder 2)			----- Note ----- 499812 Gasket Set-Carburetor (Used Before Code Date 03102300).	1090	691293	Retainer-Brush
865B	691015	Cover-Air Guide (Valley)				1095	699822	Gasket Set-Valve (Used After Code Date 03082800).
868	★△690968	Seal-Valve	987	◆699813	Seal-Throttle Shaft (Used After Code Date 03102200).			----- Note ----- 694013 Gasket Set-Valve (Used Before Code Date 03082900).
877	393456	Wire/Connector - Alternator (Dual Circuit) Used on Type No(s). 0113, 0126, 0127.			----- Note ----- 691000 Seal-Throttle Shaft (Used Before Code Date 03102300).	1100	690973	Pivot-Rocker Arm
877B	393537	Wire/Connector - Alternator (5 To 9 Amp Regulated) Used on Type No(s). 0116.	1005	499603	Fan-Flywheel	1119	691183	Screw (Alternator)
877C	399916	Wire/Connector - Alternator (10-16 Amp Regulated)	1013	690954	Nipple-Oil Filter	1123	690987	Seal-O Ring (Solenoid Retainer)
878	691237	Harness - Alternator (Dual Circuit)	1017	690770	Screen-Oil Pump	1124	690988	Seal-O Ring (Fuel Transfer Tube)
883	★△690970	Gasket-Exhaust	1019	693995	Kit-Label	1126	690991	Screw (Fuel Transfer Tube)
914A	691108	Screw (Rocker Cover)	1022	690971	Gasket-Rocker Cover	1127	690992	Screw (Float Bowl)
918	694000	Hose-Vacuum	1023	499599	Cover-Rocker (Cylinder 1)	1128	690990	Screw (Carburetor Nozzle)
929	695239	Screw (Choke Control Bracket)(Used With Plastic Intake Manifold)	1023A	499600	Cover-Rocker (Cylinder 2)	1146	690718	Screw (Choke Shaft)
943	★690589	Seal-O Ring (Oil Pump Cover)	1024	499054	Pump-Oil	1169A	693140	Screw (Carburetor Cover Plate)
947	699728	Solenoid-Fuel (Used After Code Date 03102200).	1026	690981	Rod-Push (Steel)	1330	273521	Repair Manual
		----- Note ----- 499809 Solenoid-Fuel (Used Before Code Date 03102300).	1026A	690982	Rod-Push (Aluminum)	1342	699731	Extension-Fuel Transfer Tube
			1027	492932	Filter-Oil	1353	699725	Seal-O Ring (Fuel Transfer Tube Extension)
			1029	690972	Arm-Rocker			
			1035	691042	Shaft-Pump			
			1036	695704	Label-Emissions (Used After Code Date 00063000) .			
					----- Note ----- 695432 Label- Emissions (Used After Code Date 00010900 and Before Code Date 00070100). 694390 Label- Emissions (Used After Code Date 00093000 and Before Code Date 00011000). 499783 Label- Emissions (Used Before Code Date 99100100).			

★ Included in Engine Gasket Set-Ref. No.358.

● Included in Carburetor Overhaul Kit-Ref. No. 121.

◆ Included in Carburetor Gasket Set-Ref. No. 977.

△ Included in Valve Gasket Set-Ref. No 1095.

Illustrations cover a range of engines. Parts shown without corresponding text may not be used on your specific engine.