

**446700**

# Illustrated Parts List

## Model Series

# 446700

TYPE NUMBERS  
0025 through 0365.

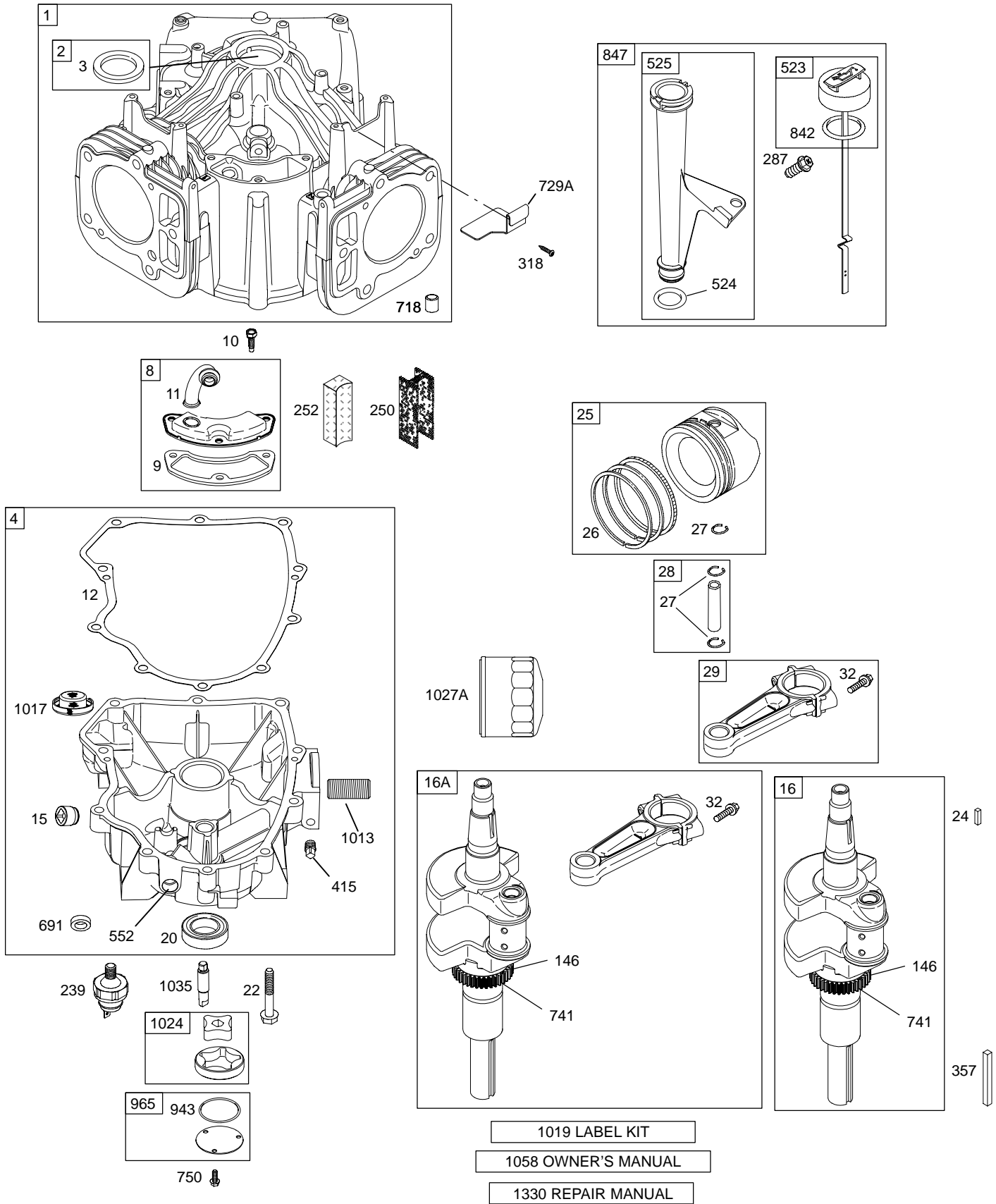
### TABLE OF CONTENTS

Air Cleaner .....	5
Alternators .....	7
Blower Housing/Shrouds .....	5
Camshaft .....	3
Carburetor .....	4
Controls .....	6
Crankshaft .....	2
Crankcase Sump .....	2
Cylinder .....	2
Cylinder Head .....	3
Electric Starter .....	6
Exhaust System .....	6
Flywheel .....	6
Ignition .....	7
Kit/Gasket Sets .....	4
Lubrication .....	2
Piston, Rings, Connecting Rod .....	2
Valves .....	3

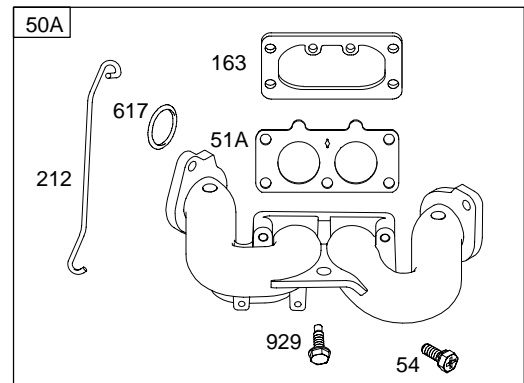
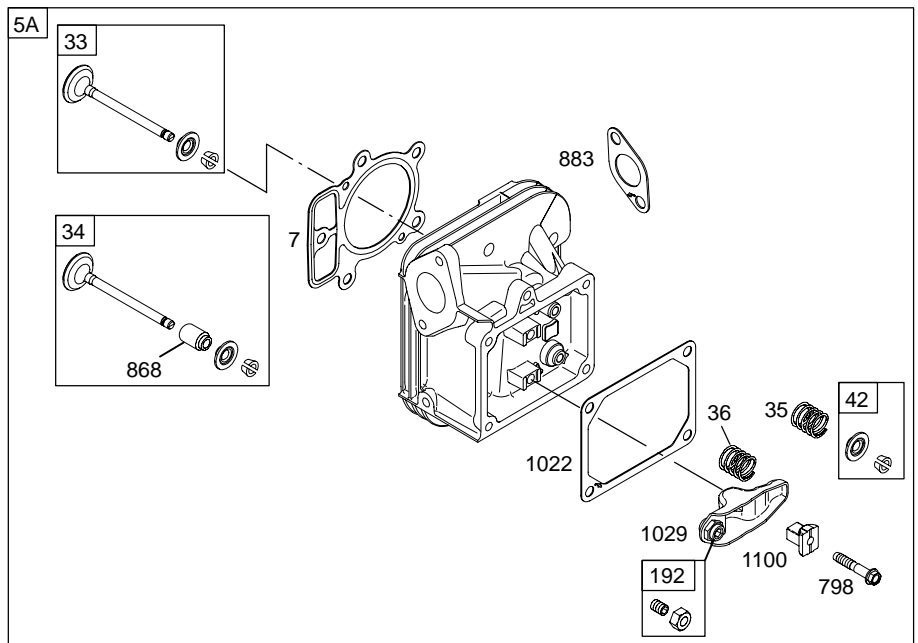
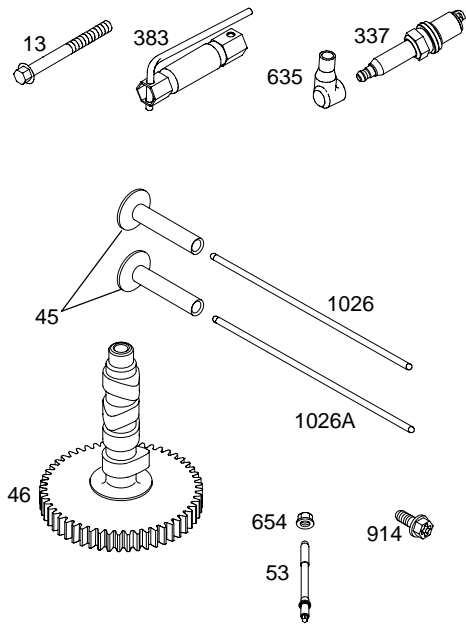
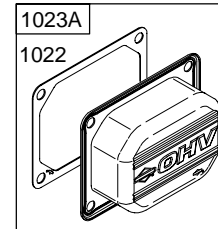
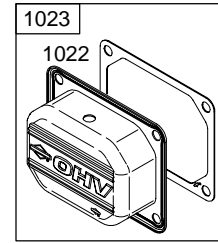
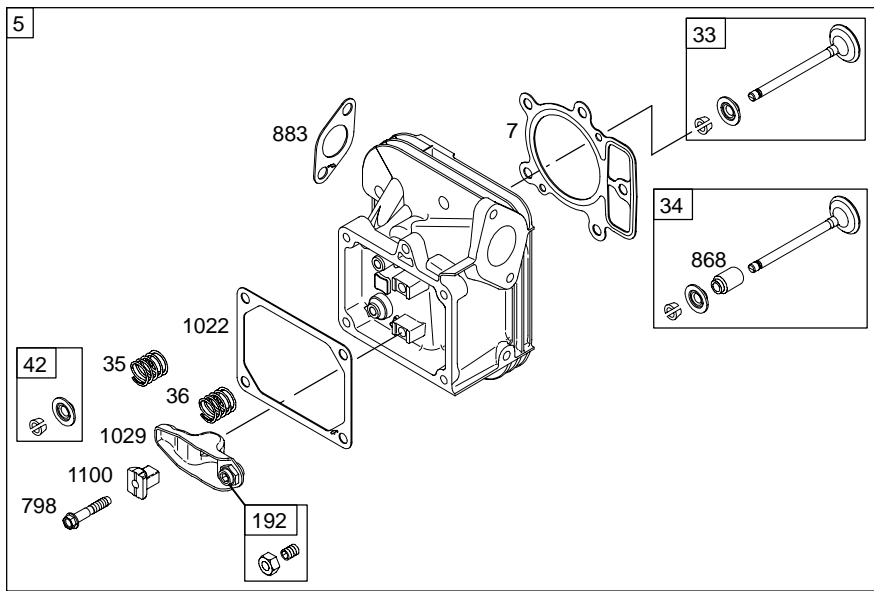


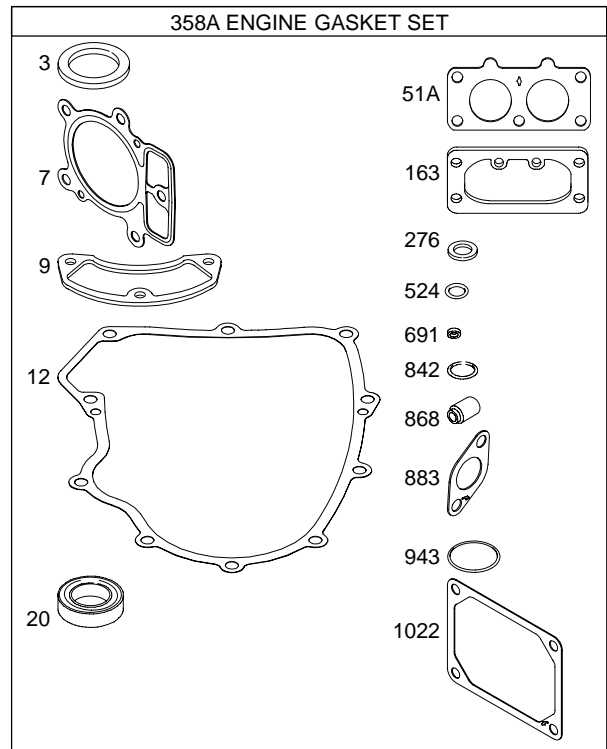
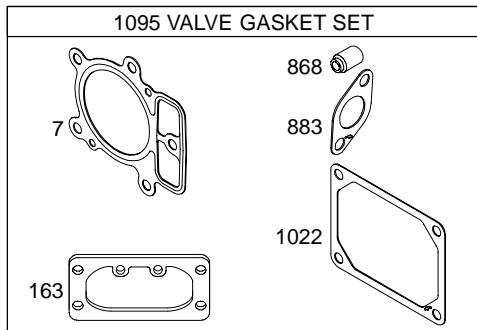
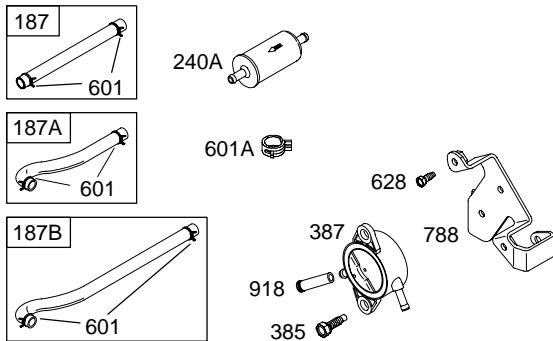
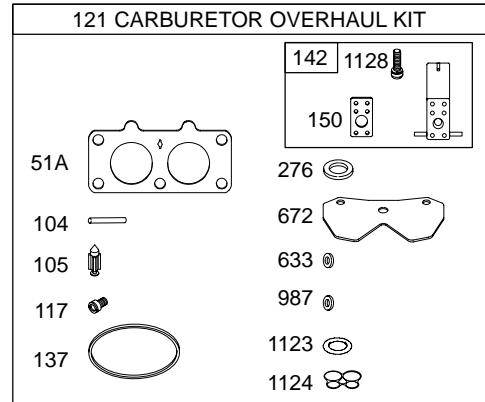
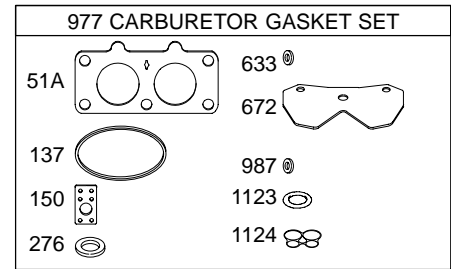
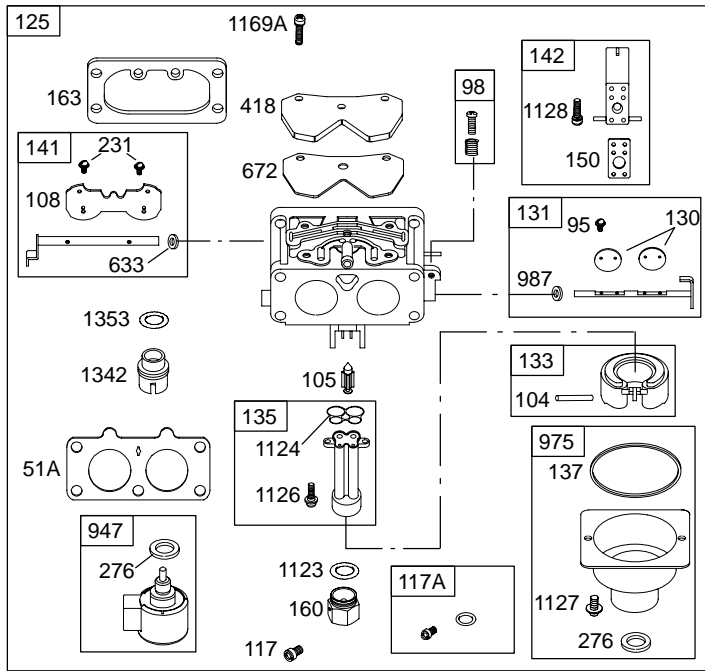
PRINTED IN U.S.A.

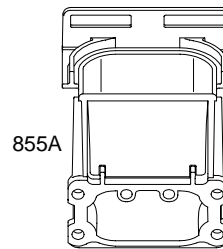
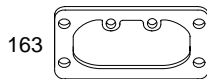
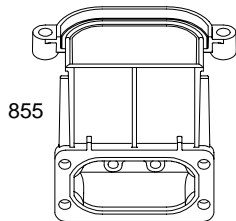
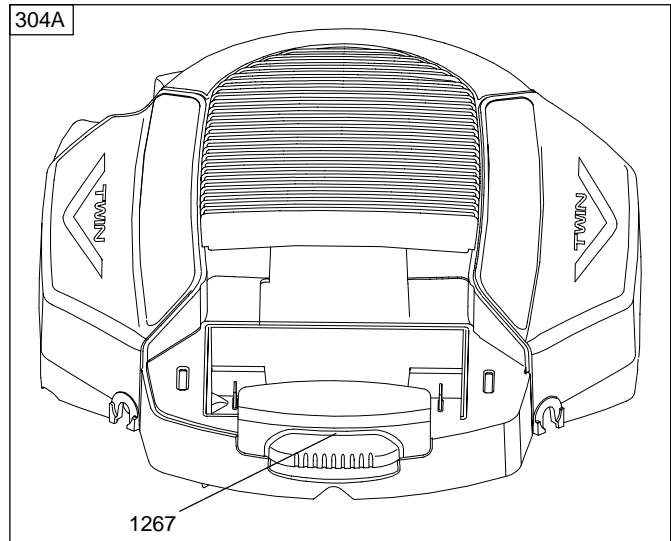
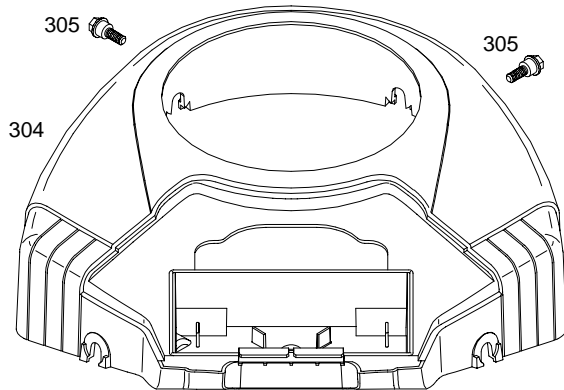
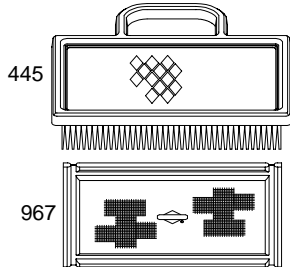
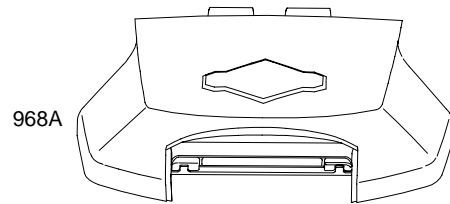
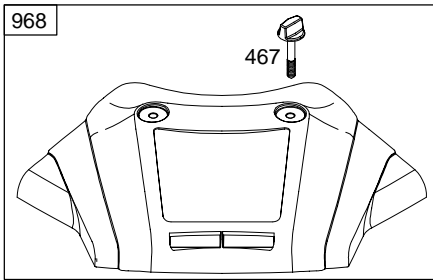
COPYRIGHT by BRIGGS & STRATTON CORPORATION  
All rights reserved. No part of this material may be reproduced or transmitted, in any form or by any means, electronic or mechanical, including photocopying, recording or by any information storage and retrieval system, without permission in writing from Briggs & Stratton Corporation.



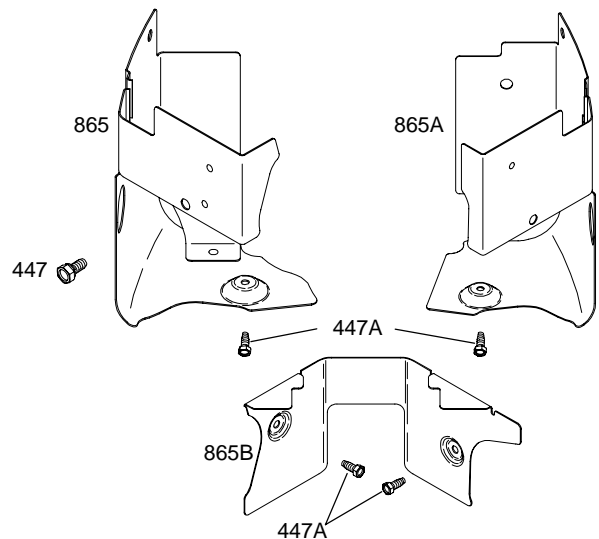
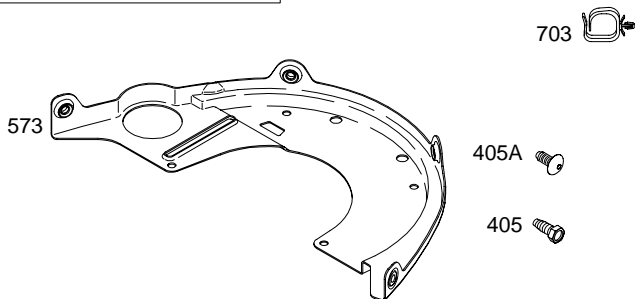
Illustrations cover a range of engines. Parts shown without corresponding text may not be used on your specific engine.  
 5195-2 Assemblies include all parts shown in frames. 06/02/2004

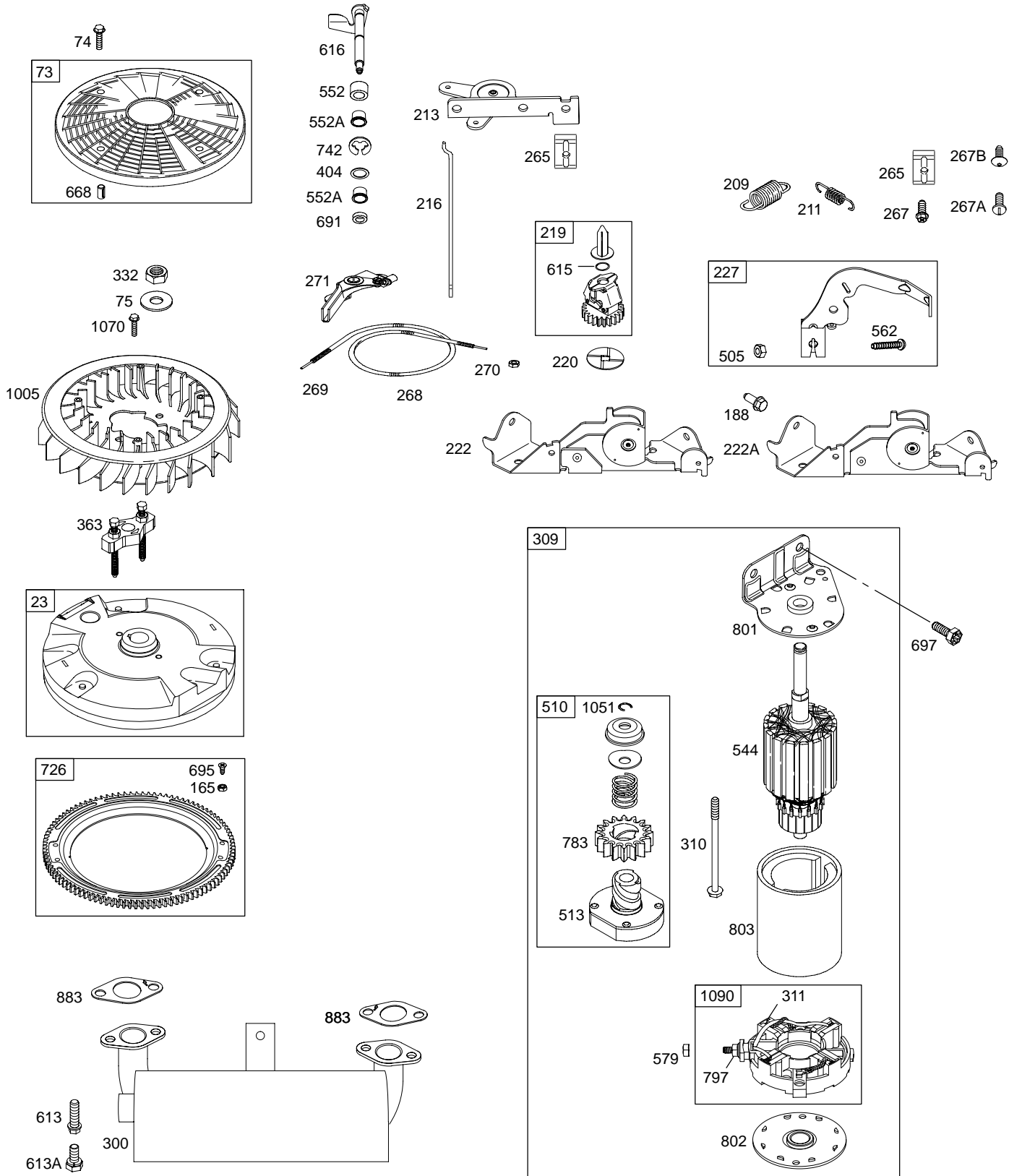










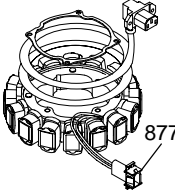







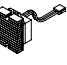




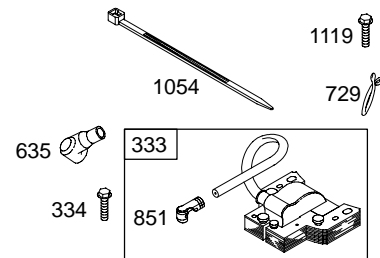
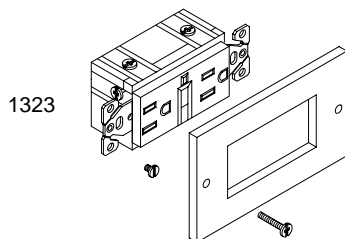
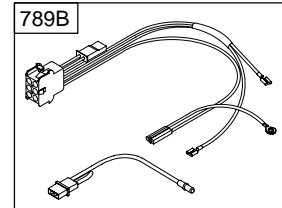
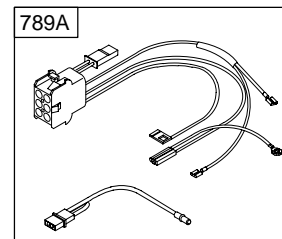
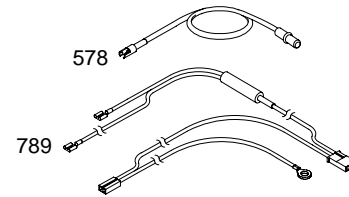
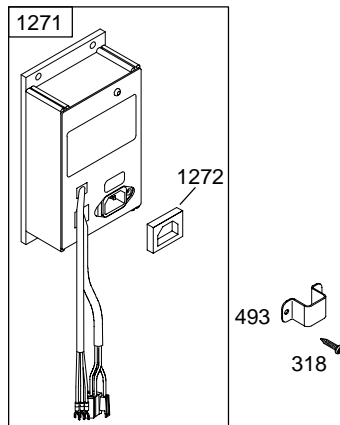
1036 EMISSIONS LABEL





Illustrations cover a range of engines. Parts shown without corresponding text may not be used on your specific engine.  
 5195-6 Assemblies include all parts shown in frames. 06/02/2004

DUAL CIRCUIT	TRI CIRCUIT	9 AMP		10 - 16 AMP		20 AMP
474B 	474C 	474C 	1059 	474D 	1059 	474E 
						
<p><b>NOTE:</b> All Stators Use a No. 1119 Mounting Screw. </p> <p><b>NOTE:</b> The proper flywheel part number and/or the alternator magnet size will determine the alternator type or output. See repair instruction manual for additional information.</p>		526A 		526 		501B 
		501A 		501 		



# 446700

REF. NO.	PART NO.	DESCRIPTION	REF. NO.	PART NO.	DESCRIPTION	REF. NO.	PART NO.	DESCRIPTION
1	699753	Cylinder Assembly (Used After Code Date 03090100). ----- <b>Note</b> ----- 694001 Cylinder Assembly (Used Before Code Date 03090200)	16	699700	Crankshaft (Used After Code Date 03122700). ----- <b>Note</b> ----- 790132 Crankshaft (Used After Code Date 03122700). Used on Type No(s). 0026, 0112, 0177, 0200, 0201, 0202, 0241, 0244, 0365.	25	697679	Piston Assembly (Standard) ----- <b>Note</b> ----- 697680 Piston Assembly (.010" Oversize) 697681 Piston Assembly (.020" Oversize) 697682 Piston Assembly (.030" Oversize)
2	499585	Kit-Bushing/Seal (Magneto Side)	16A	699701	Crankshaft (Includes Connecting Rod) (Used Before Code Date 03122800). ----- <b>Note</b> ----- 790133 Crankshaft (Used Before Code Date 03122800). Used on Type No(s). 0025, 0026, 0112, 0177, 0200, 0201, 0202, 0241, 0244, 0302, 0316, 0365.	26	697683	Ring Set (Standard) ----- <b>Note</b> ----- 697684 Ring Set (.010" Oversize) 697685 Ring Set (.020" Oversize) 697686 Ring Set (.030" Oversize)
3	★391086	Seal-Oil (Magneto Side)	20	★690947	Seal-Oil (PTO Side)	27	690975	Lock-Piston Pin
4	699747	Sump-Engine (Used After Code Date 03082800) ----- <b>Note</b> ----- 690069 Sump-Engine (Used Before Code Date 03082900)	22	694966	Screw (Crankcase Cover/Sump)	28	690229	Pin-Piston (Standard)
5	697580	Head-Cylinder (Cylinder 1)	23	691053	Flywheel ----- <b>Note</b> ----- 691054 Flywheel Used on Type No(s). 0100, 0101, 0264. 697809 Flywheel Used on Type No(s). 0201.	29	699699	Rod-Connecting (Standard) (Used After Code Date 03122700) ----- <b>Note</b> ----- (Used Before Code Date 03122800). (For Replacement Connecting Rod, See Reference 16A) 697253 Rod-Connecting (.020" Undersize)
5A	697581	Head-Cylinder (Cylinder 2)	24	222698	Key-Flywheel	32	690976	Screw (Connecting Rod)
7	★△693997	Gasket-Cylinder Head						
8	499601	Breather Assembly						
9	★690937	Gasket-Breather						
10	691108	Screw (Breather Assembly)						
11	690942	Tube-Breather						
12	★697227	Gasket-Crankcase						
13	690360	Screw (Cylinder Head)						
15	691680	Plug-Oil Drain (1/2" Square Flush)						

★ Included in Engine Gasket Set-Ref. No.358.

● Included in Carburetor Overhaul Kit-Ref. No. 121.

◆ Included in Carburetor Gasket Set-Ref. No. 977.

△ Included in Valve Gasket Set-Ref. No 1095.

**Illustrations cover a range of engines. Parts shown without corresponding text may not be used on your specific engine.**





# 446700

REF. NO.	PART NO.	DESCRIPTION	REF. NO.	PART NO.	DESCRIPTION	REF. NO.	PART NO.	DESCRIPTION
146	690979	Key -Timing	212	695238	Link -Throttle (Used With Plastic Intake Manifold)	268	691025	Casing -Control Wire (Cut To Required Length)
150	◆690995	Gasket -Nozzle	213	691021	Bracket -Choke Control	269	691026	Wire -Control (Cut To Required Length)
160	699727	Retainer -Solenoid (Used After Code Date 03102200).	216	691022	Link -Choke	270	691027	Nut (Control Wire Casing)
		----- Note -----	219	698231	Gear -Governor	271	691028	Lever -Control
	690996	Retainer -Solenoid (Used Before Code Date 03102300).	220	690412	Washer (Governor Gear)	276	◆690997	Washer -Sealing
163	★△691001	Gasket -Air Cleaner	222	698761	Bracket -Control	287	691108	Screw (Dipstick Tube)
165	693148	Nut (Ring Gear)	222A	698757	Bracket -Control Used on Type No(s). 0245, 0365.	300	696226	Muffler Used on Type No(s). 0112, 0202.
187	691050	Line -Fuel (Cut To Required Length)			----- Note -----	304	695277	Housing -Blower (Black)
		----- Note -----		698757	Bracket -Control (Used After Code Date 02112000).	304A	698073	Housing -Blower (Black) Used on Type No(s). 0025, 0100, 0101, 0106, 0108, 0112, 0115, 0126, 0127, 0128, 0165, 0177, 0197, 0200, 0202, 0244, 0245, 0246, 0302, 0365.
		698742 Line -Fuel Used on Type No(s). 0025, 0115, 0126, 0127, 0128, 0302, 0365.		697678	Bracket -Control (Used Before Code Date 02111900)	305	691005	Screw (Blower Housing)
187A	691049	Line -Fuel (Molded)	227	691048	Lever -Governor Control	309	497401	Motor -Starter
187B	697712	Line -Fuel (Molded) Used on Type No(s). 0128, 0177, 0200, 0201, 0202, 0241, 0244, 0365.	231	690718	Screw (Choke Valve)	310	691263	Screw (Starter Motor)
			239	491657	Switch -Oil Pressure	311	497608	Brush Set
188	691108	Screw (Control Bracket)	240A	695666	Filter -Fuel	318	807130	Screw (Mounting Bracket)
192	690083	Adjuster -Rocker Arm	250	690957	Retainer -Breather	332	691059	Nut (Flywheel)
209	697674	Spring -Governor (Brown)	252	690956	Collector -Oil	333	691060	Armature -Magneto
		----- Note -----	265	691024	Clamp -Casing	334	691061	Screw (Magneto Armature)
	692909	Spring -Governor (Yellow) Used on Type No(s). 0100, 0106, 0108.	267	691044	Screw (Casing Clamp)			
	698071	Spring -Governor (White) Used on Type No(s). 0100, 0112, 0128, 0202.	267A	695134	Screw (Casing Clamp)(Pan Head)			
211	691019	Spring -Governed Idle	267B	697820	Screw (Casing Clamp)(6-Lobe Truss Head)			

★ Included in Engine Gasket Set-Ref. No.358.

● Included in Carburetor Overhaul Kit-Ref. No. 121.

◆ Included in Carburetor Gasket Set-Ref. No. 977.

△ Included in Valve Gasket Set-Ref. No 1095.

**Illustrations cover a range of engines. Parts shown without corresponding text may not be used on your specific engine.**

REF. NO.	PART NO.	DESCRIPTION	REF. NO.	PART NO.	DESCRIPTION	REF. NO.	PART NO.	DESCRIPTION
337	491055	Plug-Spark ----- <b>Note</b> ----- <b>691043</b> Plug-Spark Used on Type No(s). 0197, 0200, 0241, 0245.	493	698024	Bracket-Mounting	573	691009	Plate-Back
			501	691185	Regulator (10-16 Amp Regulated)	578	691208	Wire Assembly Used on Type No(s). 0027, 0106, 0115.
357	691483	Key-Drive Pulley	501A	691188	Regulator (5 To 9 Amp Regulated) Used on Type No(s). 0108.			----- <b>Note</b> ----- <b>697894</b> Wire Assembly Used on Type No(s). 0201, 0202.
358A	699823	Gasket Set-Engine (Used After Code Date 03102200). ----- <b>Note</b> ----- <b>694012</b> Gasket Set-Engine (Used Before Code Date 03102300).	501B	691573	Regulator (20 Amp) Used on Type No(s). 0201, 0202.	579	691029	Nut (Starter Cable)
363	19203	Puller-Flywheel	505	691029	Nut (Governor Control Lever)	601	95162	Clamp-Hose
383	19374	Wrench-Spark Plug	510	696541	Drive-Starter	601A	691038	Clamp-Hose
385	691108	Screw (Fuel Pump)	513	692024	Clutch-Drive	613	690297	Screw (Muffler) Used on Type No(s). 0112, 0202.
387	808656	Pump-Fuel	523	691036	Dipstick	613A	690341	Screw (Muffler) Used on Type No(s). 0112, 0202.
404	690442	Washer (Governor Crank)	524	★691032	Seal-Dipstick Tube	615	698290	Retainer-Governor Shaft
405A	697820	Screw (Back Plate)	525	691037	Tube-Dipstick	616	691045	Crank-Governor
415	690283	Plug (Pipe)(.125-27 NPTF)	526	691108	Screw (Regulator)(10-16 Amp Regulated)	617	697891	Seal-O Ring (Intake Manifold)
418	690999	Plate-Carburetor	526A	691129	Screw (Regulator)(5 To 9 Amp Regulated)	628	691108	Screw (Fuel Pump Bracket)
445	698754	Filter-Air Cleaner Cartridge				633	◆◆690998	Seal-Choke/Throttle Shaft
447	691003	Screw (Air Guide Cover)	544		Armature-Starter (Service With <b>691262</b> Starter Motor Only)	635	66538	Boot-Spark Plug
447A	691108	Screw (Air Guide Cover)	552	690552	Bushing-Governor Crank	654	690958	Nut (Carburetor)
467	691008	Knob-Air Cleaner	552A	690553	Bushing-Governor Crank	668	691215	Spacer
474B	696459	Alternator (Dual Circuit)	562	690311	Bolt (Governor Control Lever)	672	◆◆690234	Gasket-Carburetor Plate
474C	696457	Alternator (5 To 9 Amp Regulated) Used on Type No(s). 0108.				691	★690657	Seal-Governor Shaft
474D	696458	Alternator (10-16 Amp Regulated) Used on Type No(s). 0025, 0026, 0027, 0106, 0112, 0115, 0126, 0127, 0128, 0165, 0177, 0197, 0200, 0219, 0241, 0244, 0245, 0246, 0302, 0316, 0365.				695	693149	Screw (Ring Gear)
474E	697810	Alternator (20 Amp) Used on Type No(s). 0201, 0202.				697	690372	Screw (Drive Cap)

★ Included in Engine Gasket Set-Ref. No.358.

● Included in Carburetor Overhaul Kit-Ref. No. 121.

◆ Included in Carburetor Gasket Set-Ref. No. 977.

△ Included in Valve Gasket Set-Ref. No 1095.

**Illustrations cover a range of engines. Parts shown without corresponding text may not be used on your specific engine.**

# 446700

REF. NO.	PART NO.	DESCRIPTION	REF. NO.	PART NO.	DESCRIPTION	REF. NO.	PART NO.	DESCRIPTION
703	691010	Clip	842	691031	Seal-O Ring (Dipstick Tube)	918	694000	Hose-Vacuum
718	690959	Pin-Locating	847	499602	Dipstick/Tube Assembly	929	695239	Screw (Choke Control Bracket)(Used With Plastic Intake Manifold)
726	499612	Gear-Ring	851	493880	Terminal-Spark Plug	943	★690589	Seal-O Ring (Oil Pump Cover)
729	694123	Clip-Wire	855	691011	Adapter-Air Cleaner	947	699728	Solenoid-Fuel (Used After Code Date 03102200)
729A	697993	Clip-Wire Used on Type No(s). 0201, 0202.	855A	698072	Adapter-Air Cleaner Used on Type No(s). 0025, 0100, 0101, 0106, 0108, 0112, 0115, 0126, 0127, 0128, 0165, 0177, 0197, 0200, 0202, 0244, 0245, 0246, 0302, 0365.	----- <b>Note</b> ----- 499809 Solenoid-Fuel (Used Before Code Date 03102300)		
741	690980	Gear-Timing	865	691012	Cover-Air Guide (Cylinder 1)	965	499613	Cover-Oil Pump
742	690328	Retainer-E Ring	865A	691014	Cover-Air Guide (Cylinder 2)	967	273638	Filter-Pre Cleaner
750	696999	Screw (Oil Pump Cover)	865B	691015	Cover-Air Guide (Valley)	968	790095	Cover-Air Cleaner
783	695708	Gear-Pinion	868	Δ690968	Seal-Valve	968A	698075	Cover-Air Cleaner Used on Type No(s). 0025, 0100, 0101, 0106, 0108, 0112, 0115, 0126, 0127, 0128, 0165, 0177, 0197, 0200, 0202, 0244, 0245, 0246, 0302, 0365.
788	691039	Bracket-Fuel Pump	877	393456	Wire/Connector- Alternator (Dual Circuit)	975	499810	Bowl-Float
789	691220	Harness-Wiring	877B	393537	Wire/Connector- Alternator (5 To 9 Amp Regulated)	977	699735	Gasket Set-Carburetor (Used After Code Date 03091700)
789A	698330	Harness-Wiring Used on Type No(s). 0025, 0026, 0027, 0108, 0112, 0126, 0127, 0128, 0165, 0177, 0197, 0200, 0201, 0202, 0219, 0241, 0244, 0245, 0246, 0264, 0302, 0316.	877C	399916	Wire/Connector- Alternator (10-16 Amp Regulated)	----- <b>Note</b> ----- 499812 Gasket Set-Carburetor (Used Before Code Date 03091800)		
789B	696576	Harness-Wiring Used on Type No(s). 0165, 0177, 0197, 0200, 0201, 0241, 0244, 0245, 0246, 0365.	877D	698092	Wire/Connector- Alternator (20 Amp)			
797	693167	Nut (Brush Retainer)	878	691237	Harness-Alternator (Dual Circuit)			
798	697890	Screw (Rocker Arm)	883	★Δ690970	Gasket-Exhaust			
801	691283	Cap-Drive	914	691127	Screw (Rocker Cover)			
802	691286	Cap-End						
803		Housing-Starter (Service With 691262 Starter Motor Only)						

★ Included in Engine Gasket Set-Ref. No.358.

● Included in Carburetor Overhaul Kit-Ref. No. 121.

◆ Included in Carburetor Gasket Set-Ref. No. 977.

Δ Included in Valve Gasket Set-Ref. No 1095.

**Illustrations cover a range of engines. Parts shown without corresponding text may not be used on your specific engine.**

REF. NO.	PART NO.	DESCRIPTION	REF. NO.	PART NO.	DESCRIPTION	REF. NO.	PART NO.	DESCRIPTION
987	◆◆699813	Seal-Throttle Shaft (Used After Code Date 03102200) ----- <b>Note</b> ----- 691000 Seal-Throttle Shaft (Used Before Code Date 03102300)	1051	691265	Ring-Retaining	1169A	693140	Screw (Carburetor Cover Plate)
1005	499603	Fan-Flywheel ----- <b>Note</b> ----- 698760 Fan-Flywheel Used on Type No(s). 0365.	1054	280275	Tie-Cable	1267	698440	Latch-Blower Housing Used on Type No(s). 0025, 0100, 0101, 0112, 0115, 0126, 0127, 0128, 0202, 0244, 0245, 0246, 0302, 0365.
1013	690954	Nipple-Oil Filter	1058	275475	Operator's Manual	1271	697992	Inverter
1017	690770	Screen-Oil Pump	1059	698516	Kit-Screw/Washer	1272	697260	Gasket-Inverter
1019	693995	Kit-Label	1070	691058	Screw (Flywheel Fan)	1323	790239	Receptacle-Powerlink (Used After Code Date 04013100) ----- <b>Note</b> ----- 699146 Receptacle-Powerlink (Used Before Code Date 04020100)
1022	★△690971	Gasket-Rocker Cover	1090	691293	Retainer-Brush			
1023	499599	Cover-Rocker (Cylinder 1)	1095	699822	Gasket Set-Valve (Used After Code Date 03091700) ----- <b>Note</b> ----- 694013 Gasket Set-Valve (Used Before Code Date 03091800)			
1023A	499600	Cover-Rocker (Cylinder 2)	1100	690973	Pivot-Rocker Arm			
1024	499054	Pump-Oil	1119	691183	Screw (Alternator) ----- <b>Note</b> ----- 697811 Screw (Alternator)(20 Amp)	1330	273521	Repair Manual
1026	690981	Rod-Push (Steel)	1123	◆◆690987	Seal-O Ring (Solenoid Retainer)	1342	699731	Extension-Fuel Transfer Tube (Used After Code Date 03102200)
1026A	690982	Rod-Push (Aluminum)	1124	◆◆690988	Seal-O Ring (Fuel Transfer Tube)	1353	699725	Seal-O Ring (Fuel Transfer Tube Extension) (Used After Code Date 03102200)
1027A	696854	Filter-Oil	1126	690991	Screw (Fuel Transfer Tube)			
1029	690972	Arm-Rocker	1127	690992	Screw (Float Bowl)			
1035	691042	Shaft-Pump	1128	◆690990	Screw (Carburetor Nozzle)			
1036	697913	Label-Emissions (Used After Code Date 03012600) ----- <b>Note</b> ----- 695704 Label-Emissions (Used Before Code Date 00070100 and After Code Date 03012700). 695432 Label-Emissions (Used Before Code Date 00070100)						

★ Included in Engine Gasket Set-Ref. No.358.

● Included in Carburetor Overhaul Kit-Ref. No. 121.

◆ Included in Carburetor Gasket Set-Ref. No. 977.

△ Included in Valve Gasket Set-Ref. No. 1095.

**Illustrations cover a range of engines. Parts shown without corresponding text may not be used on your specific engine.**