

462700

Illustrated Parts List

Model Series

462700

TYPE NUMBER
100.

For Use On Engines Built Before Date Code – 02050900

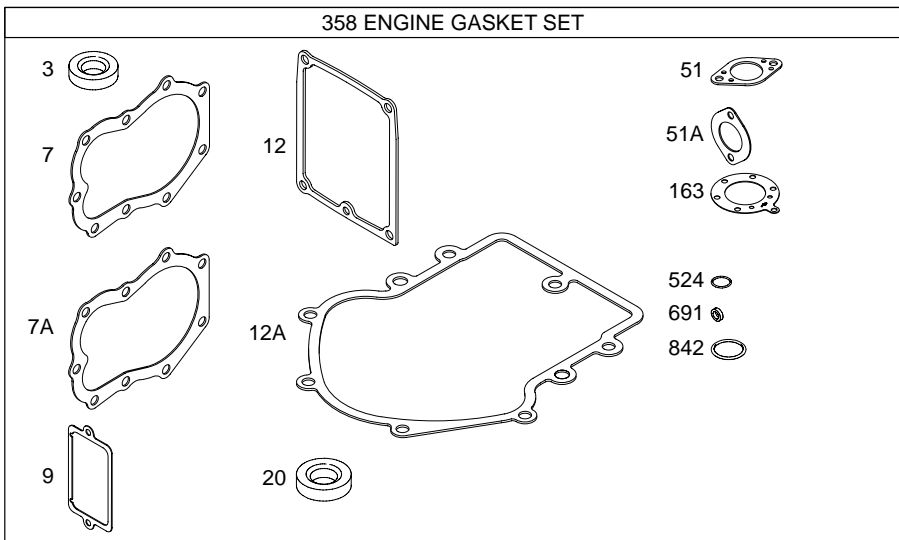
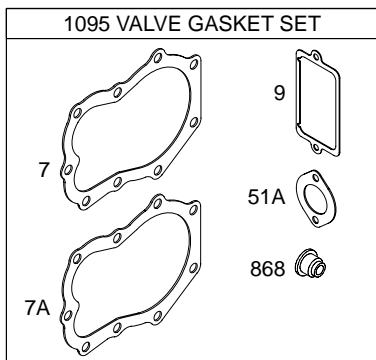
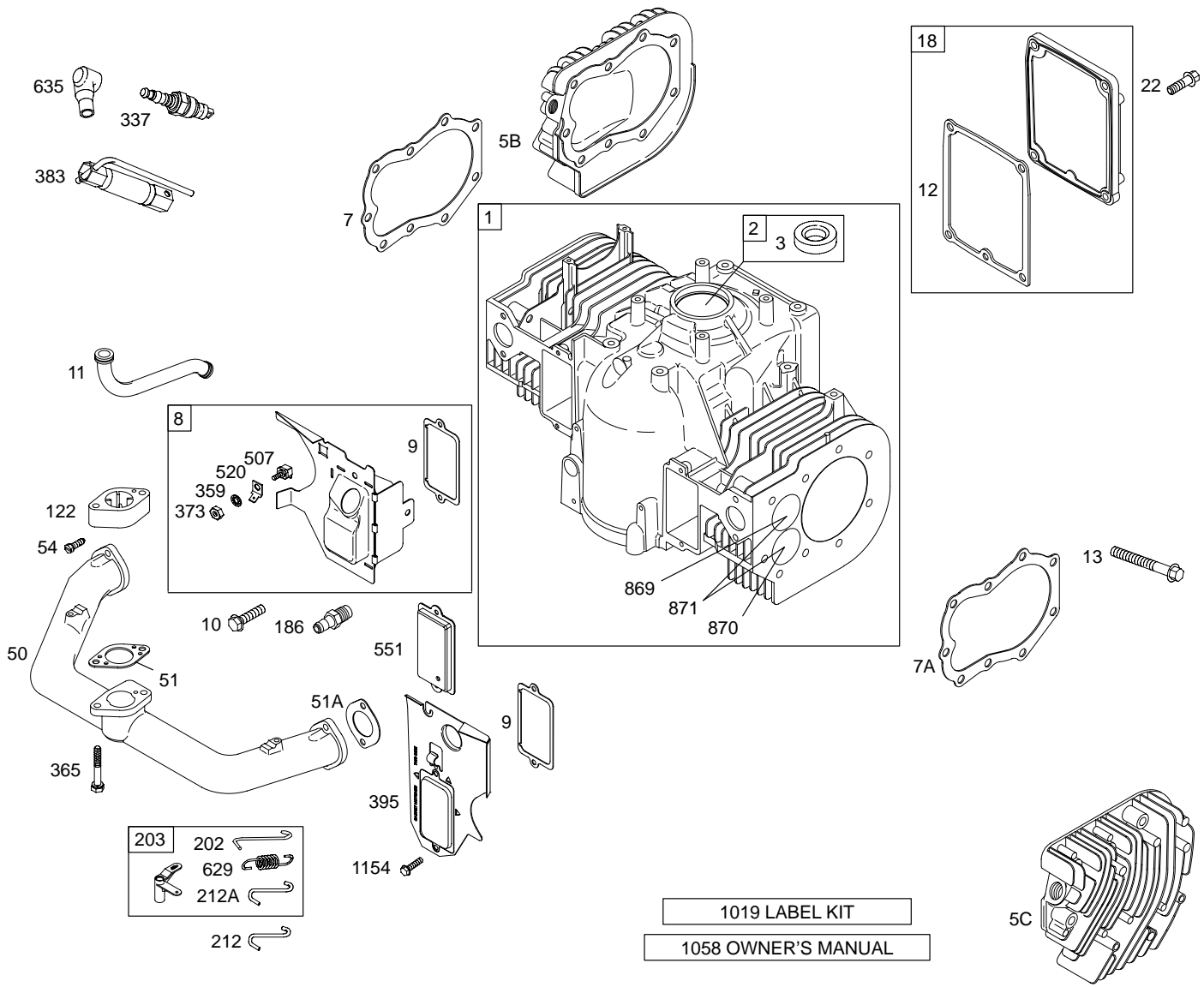
TABLE OF CONTENTS

Air Cleaner	9
Alternator	8
Blower Housing/Shrouds	10
Cam	3
Carburetor	6
Carburetor	7
Controls	8
Crankcase Cover/Cylinder	2
Crankshaft	3
Electric Starter	12
Flywheel	11
Head	2
Kit/Gasket Sets – Carburetor	6
Kit/Gasket Sets – Engine	2
Kit/Gasket Sets – Fuel Pump	6
Kit/Gasket Sets – Valve	2
Muffler	9
Oil	4
Piston	3
Sump	5
Valves	3

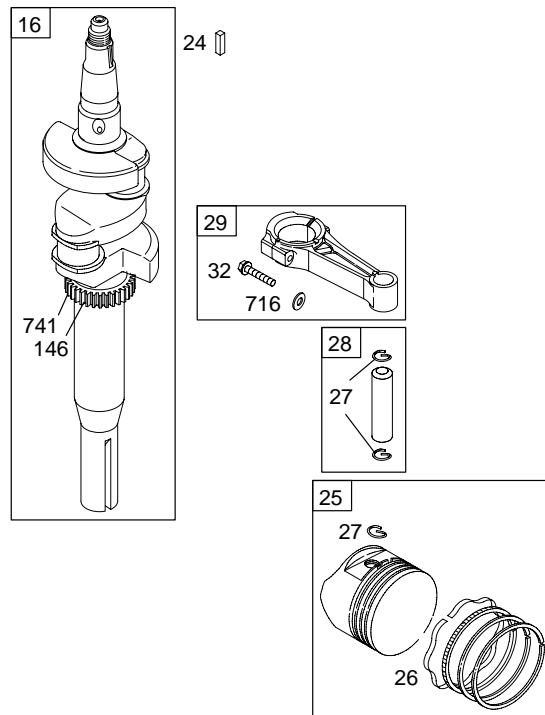
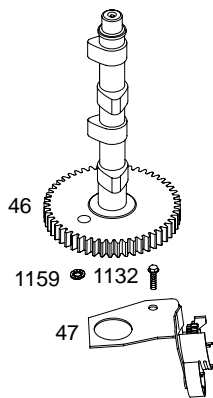
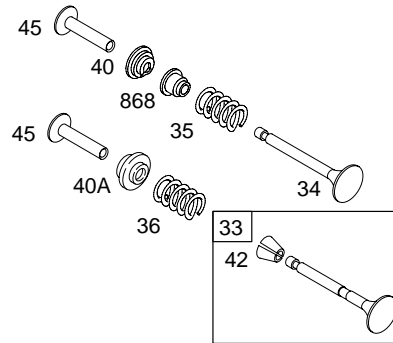


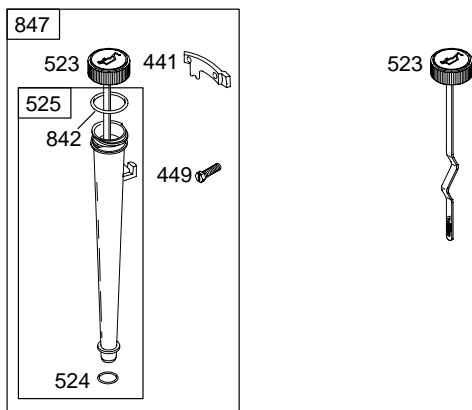
PRINTED IN U.S.A.

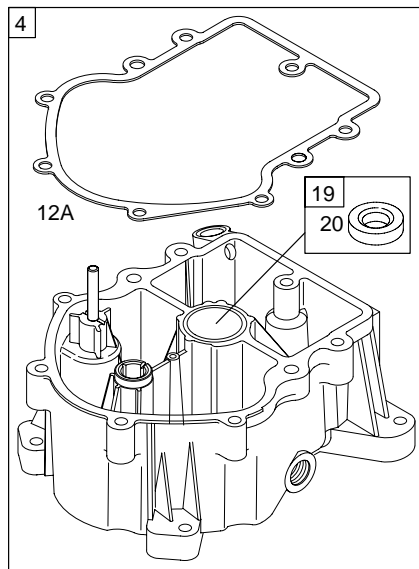
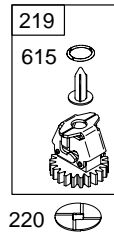
COPYRIGHT by BRIGGS & STRATTON CORPORATION
All rights reserved. No part of this material may be reproduced or transmitted, in any form or by any means, electronic or mechanical, including photocopying, recording or by any information storage and retrieval system, without permission in writing from Briggs & Stratton Corporation.



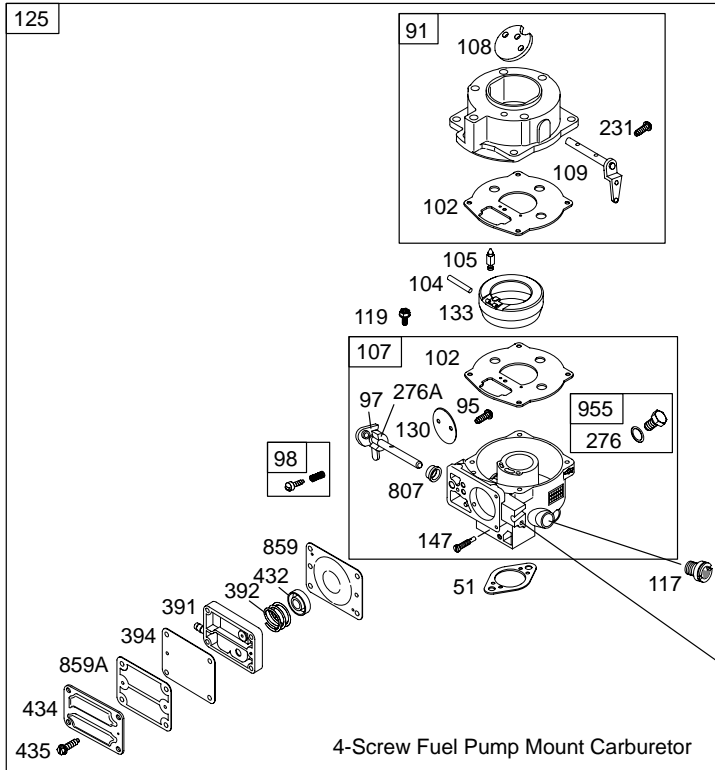
Illustrations cover a range of engines. Parts shown without corresponding text may not be used on your specific engine.
 5208-2 Assemblies include all parts shown in frames. 5C-6/2002







**SEE ADDITIONAL PAGES
FOR MORE CARBURETOR
INFORMATION**

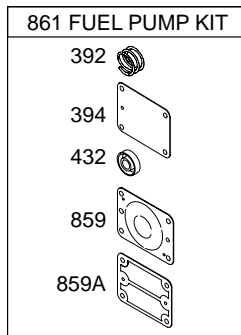
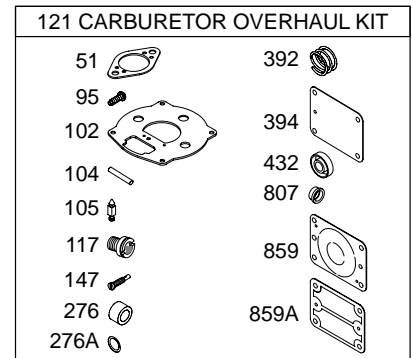
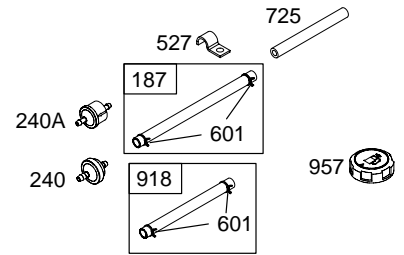


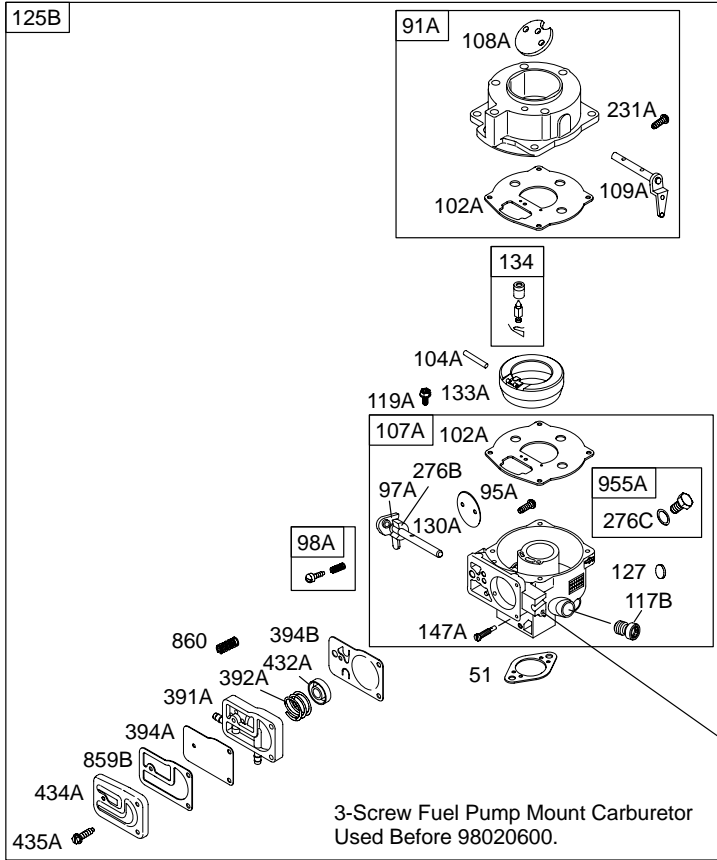
Model 4607

Model 4617

Model 4627

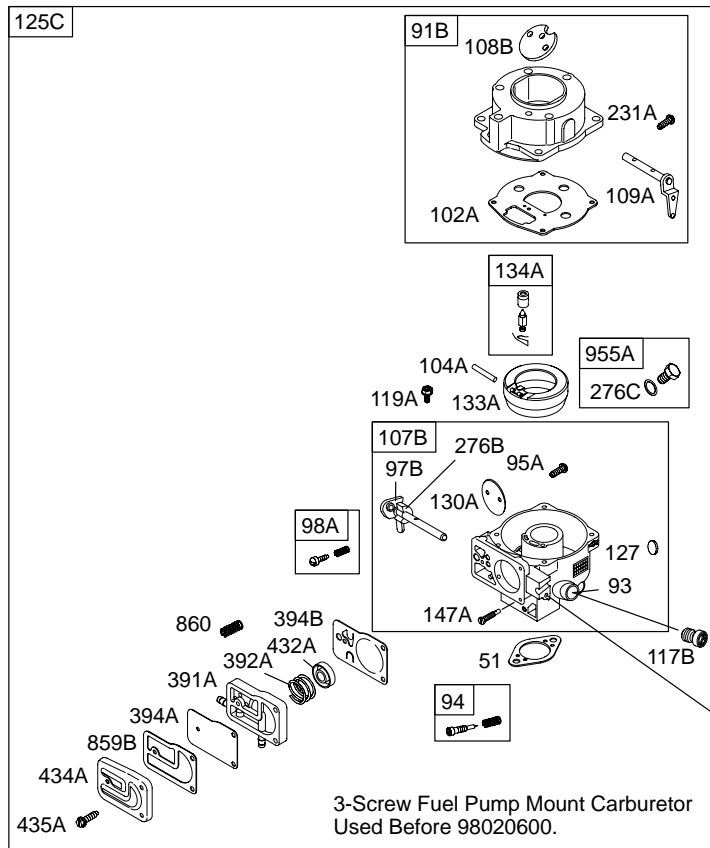
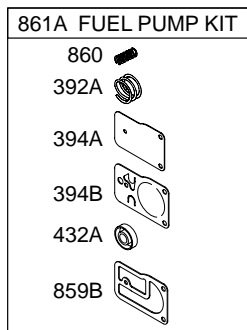
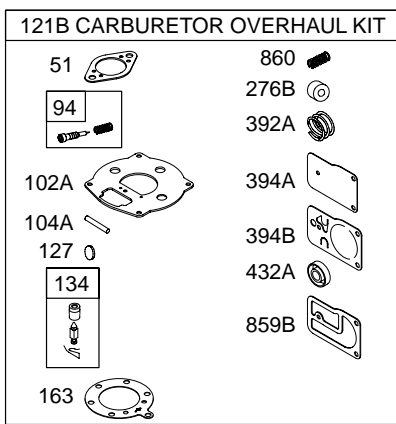
Model 4637





- Model 42A7
- Model 42B7
- Model 42D7
- Model 42E7
- Model 42Z7

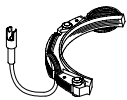
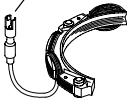





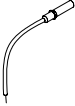
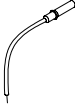

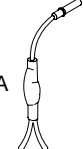
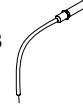
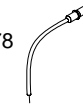
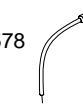

3-Screw Fuel Pump Mount Carburetor
Used Before 98020600.

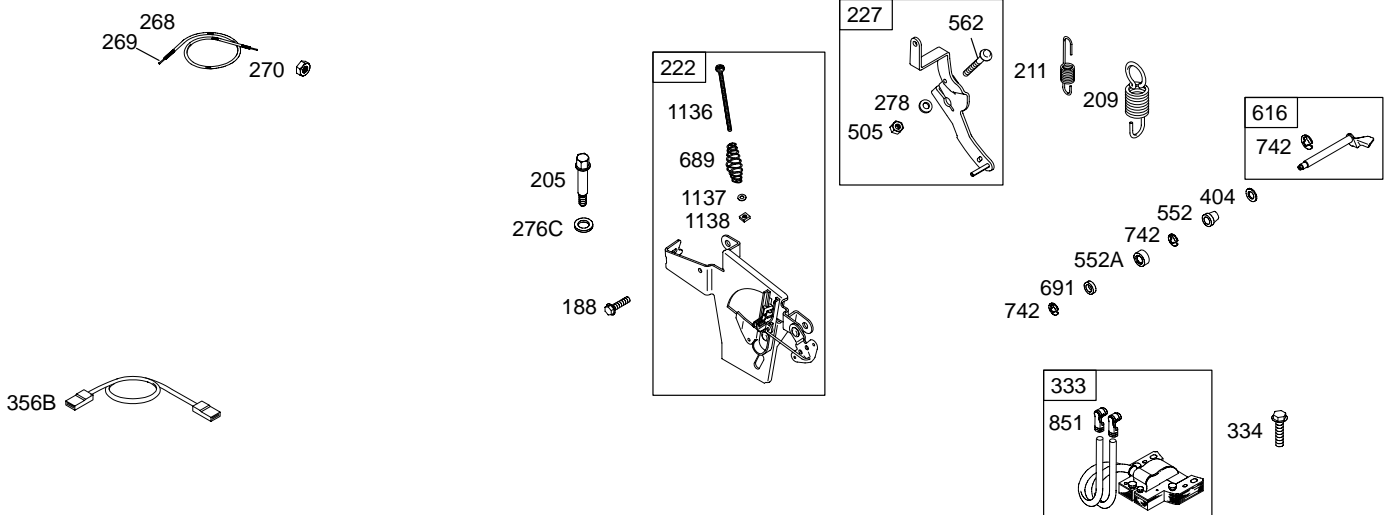


- Model 4607
- Model 4617

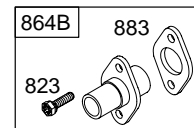
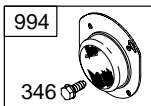
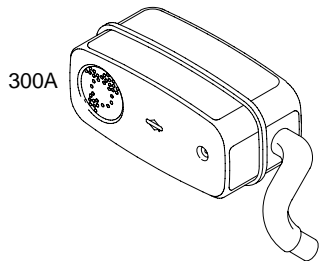
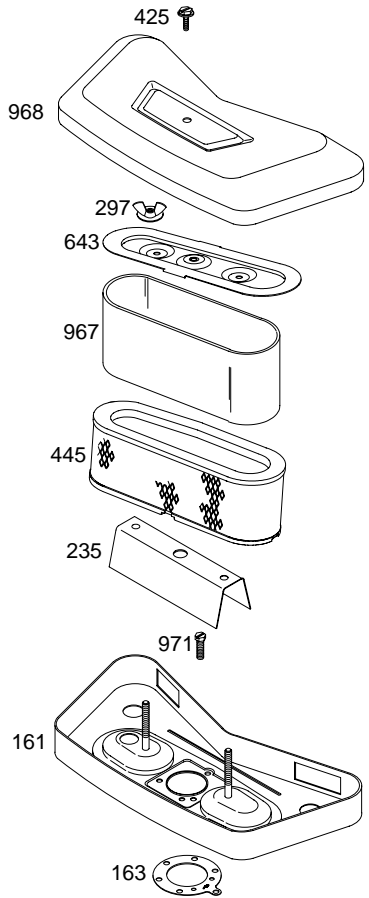
3-Screw Fuel Pump Mount Carburetor
Used Before 98020600.

462700

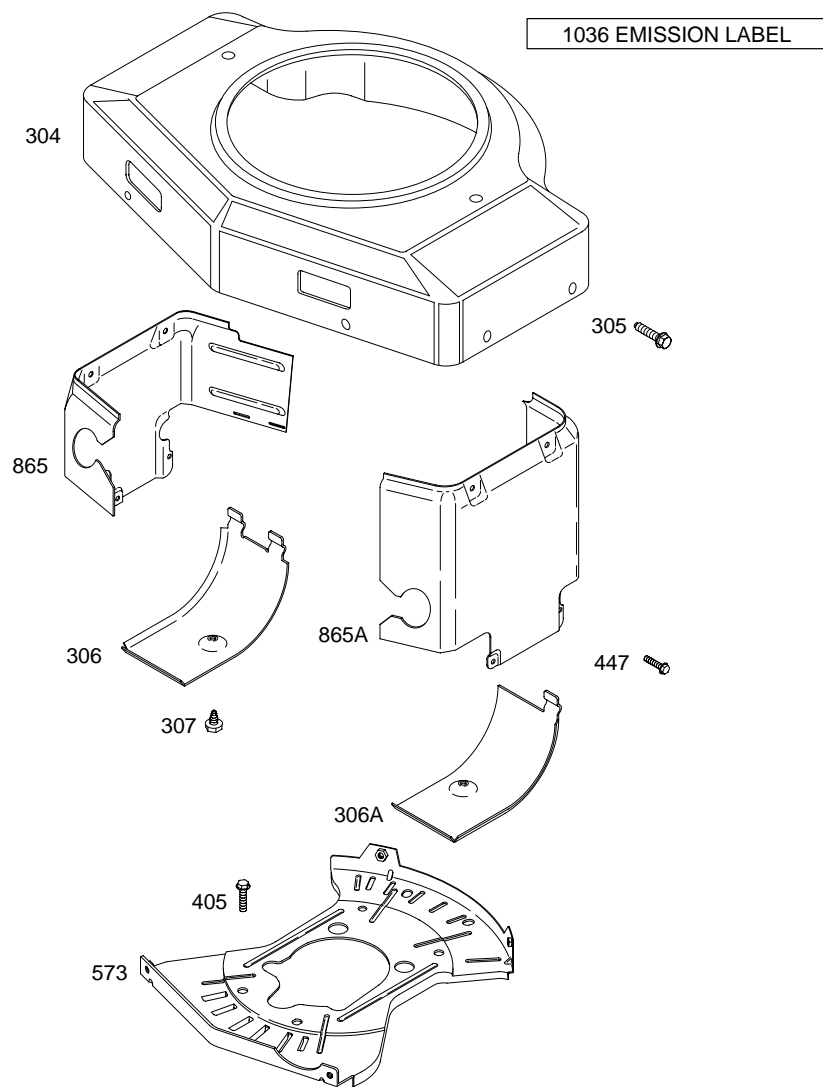
AC ONLY	DC ONLY	DUAL CIRCUIT	TRI CIRCUIT	9 AMP	10 AMP	16 AMP
474	474A	474B	474C	474C	474D	474D
	877A 	877 	877B 	877B 	877C 	877C 
578 	578 	878 	878A 	578 	578 	578 
<p>NOTE: All stators use a No. 1119 mounting screw. </p> <p>NOTE: The proper flywheel part number and/or the alternator magnet size will determine the alternator type or output. See repair instruction manual for additional information.</p>						



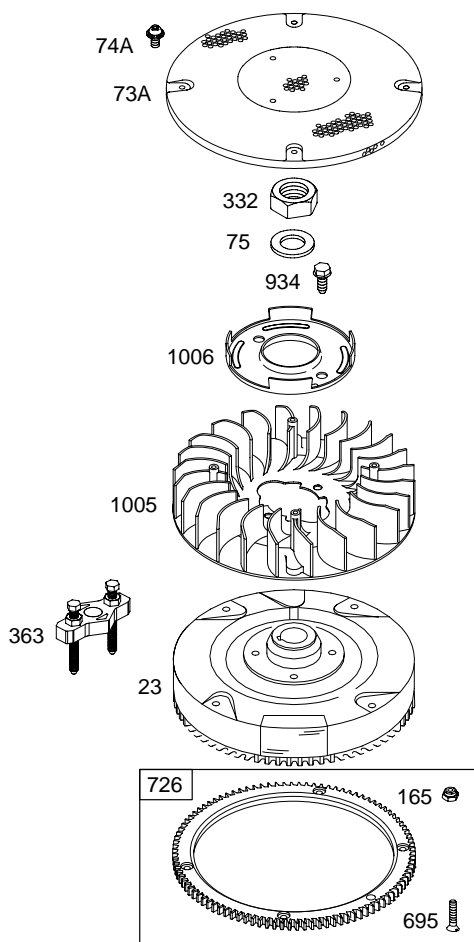
Illustrations cover a range of engines. Parts shown without corresponding text may not be used on your specific engine.
 5208-8 Assemblies include all parts shown in frames. 5C-6/2002



Illustrations cover a range of engines. Parts shown without corresponding text may not be used on your specific engine.
 5208-9 Assemblies include all parts shown in frames. 5C-6/2002

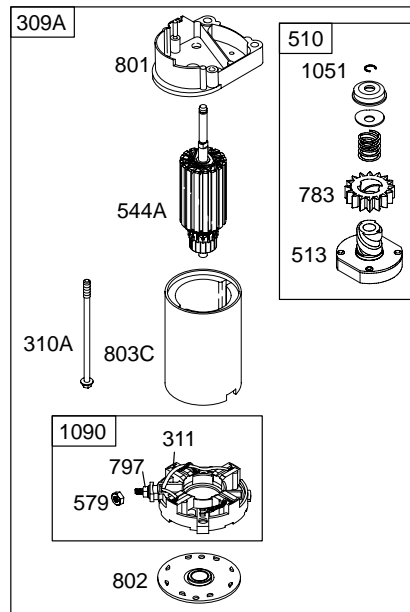


Illustrations cover a range of engines. Parts shown without corresponding text may not be used on your specific engine.



Illustrations cover a range of engines. Parts shown without corresponding text may not be used on your specific engine.
 5208-11 Assemblies include all parts shown in frames. 5C-6/2002

697 



REF. NO.	PART NO.	DESCRIPTION	REF. NO.	PART NO.	DESCRIPTION	REF. NO.	PART NO.	DESCRIPTION
1	697078	Cylinder Assembly	20	★291675	Seal–Oil (PTO Side)	29	394306	Rod–Connecting (Standard)
2	399265	Kit–Bushing/Seal (Magneto Side)	22	691104	Screw (Crankcase Cover/Sump)			———— Note ———
3	★391086	Seal–Oil (Magneto Side)	22A	693972	Screw (Crankcase Cover/Sump)	32	691133	Screw (Connecting Rod)
4	493304	Sump–Engine (Splash Lube)	23	691976	Flywheel	33	691794	Valve–Exhaust
5B	691162	Head–Cylinder (Cylinder 1)	24	222698	Key–Flywheel	34	691804	Valve–Intake
5C	691163	Head–Cylinder (Cylinder 2)	25	692271	Piston Assembly (Standard)	35	691605	Spring–Valve (Intake)
7	★∅697075	Gasket–Cylinder Head (Cylinder 1)			———— Note ———	36	691597	Spring–Valve (Exhaust)
7A	★∅697076	Gasket–Cylinder Head (Cylinder 2)			692272 Piston Assembly (.010" Oversize)	40	690656	Retainer–Valve (Intake)
8	495754	Breather Assembly			692273 Piston Assembly (.020 Oversize)	40A	691939	Retainer–Valve (Exhaust)
9	★∅27803	Gasket–Breather			692274 Piston Assembly (.030" Oversize)	42	494553	Keeper–Valve
10	690334	Screw (Breather Assembly)	26	690162	Ring Set (Standard)	45	691800	Tappet–Valve
11	691899	Tube–Breather			———— Note ———	46	691161	Camshaft
12	★692287	Gasket–Crankcase			690164 Ring Set (.010" Oversize)	47	691964	Slinger–Oil
12A	★692292	Gasket–Crankcase (.015" Thick) (Standard)			690166 Ring Set (.020" Oversize)	50	691709	Manifold–Intake
		———— Note ———			690168 Ring Set (.030" Oversize)	51	★●692278	Gasket–Intake
		★271188 Gasket– Crankcase (.005" Thick)				51A	★∅692219	Gasket–Intake
		★271189 Gasket– Crankcase (.009" Thick)				54	93208	Screw (Intake Manifold)
13	691651	Screw (Cylinder Head)	27	691299	Lock–Piston Pin	73A	692527	Screen–Rotating (Steel)
15A	690946	Plug–Oil Drain (3/8" Standard)	28	498319	Pin–Piston (Standard)	74A	691677	Screw (Rotating Screen)
16	690636	Crankshaft			———— Note ———	75	691056	Washer (Flywheel)
18	495901	Cover–Crankcase			498320 Pin–Piston (.005" Oversize)	91	693483	Body–Upper Carburetor
19	399264	Kit–Bushing/Seal (PTO Side)				95	690718	Screw (Throttle Valve)
						97	693485	Shaft–Throttle
						98	807923	Kit–Idle Speed

★ Included in Engine Gasket Set–Ref. No. 358.

● Included in Carburetor Overhaul Kit–Ref. No. 121.

■ Included in Carburetor Gasket Set–Ref. No. 977.

∅ Included in Valve Gasket Set–Ref. No. 1095.

Illustrations cover a range of engines. Parts shown without corresponding text may not be used on your specific engine.

462700

REF. NO.	PART NO.	DESCRIPTION	REF. NO.	PART NO.	DESCRIPTION	REF. NO.	PART NO.	DESCRIPTION
102	●693509	Gasket-Carburetor Body	205	690322	Screw (Bell Crank)	305	690960	Screw (Blower Housing)
104	●693506	Pin-Float Hinge	209	690558	Spring-Governor (Brown)	306	690414	Shield-Cylinder
105	●692078	Valve-Float Needle	211	691807	Spring-Governed Idle	306A	690435	Shield-Cylinder
107	693482	Body-Lower Carburetor	212	693544	Link-Throttle (Used On 4 Screw Fuel Pump Mount Carburetors)	307	691003	Screw (Cylinder Shield)
108	693505	Valve-Choke	212A	690571	Link-Throttle (Used On 3 Screw Fuel Pump Mount Carburetors)	309A	498148	Motor-Starter (4-3/8" Housing Length)
109	693498	Shaft-Choke	219	696376	Gear-Governor	310A	691263	Bolt (Starter Motor) (4-3/8" Housing Length)
117	693538	Jet-Main (Standard)	220	690412	Washer (Governor Gear)	311	497608	Brush Set
118	693500	Jet-Main (High Altitude)	222	691366	Bracket-Control	332	691059	Nut (Flywheel)
119	690720	Screw (Upper To Lower Carburetor Body)	227	690762	Lever-Governor Control	333	394891	Armature-Magneto (MAGNETRON®)
121	693501	Kit-Carburetor Overhaul (Used On 4 Screw Fuel Pump Mount Carburetors)	231	690718	Screw (Choke Valve)	334	691061	Screw (Magneto Armature)
122	691928	Spacer-Carburetor	235	691206	Shield-Fuel Spray	337	802592	Plug-Spark (Resistor)
125	693479	Carburetor (4 Screw Fuel Pump Mount)	240	394358	Filter-Fuel	356B	691423	Wire-Stop (1 Wire, 10-3/4" Long)(2 Snap Connect Insulated Female Blade Terminals)
130	693504	Valve-Throttle	267	690316	Screw (Casing Clamp)	358	697081	Gasket Set-Engine
133	693512	Float-Carburetor	268	691025	Casing-Control Wire (Cut To Required Length)	359	691077	Washer (Ground Terminal)
146	691639	Key-Timing	269	691026	Wire-Control (Cut to Required Length)	363	19203	Puller-Flywheel
147	693508	Jet-Pilot	270	691027	Nut (Control Wire Casing)	365	690321	Screw (Carburetor)
161	691401	Base-Air Cleaner (Metal)	276	693497	Washer-Sealing (Carburetor Plug)	373	691612	Nut (Ground Terminal)
163	★690273	Gasket-Air Cleaner	276A	●693510	Washer-Sealing (Foam)	383	89838	Wrench-Spark Plug
165	693148	Nut (Ring Gear)	278	692810	Washer (Governor Control Lever)	391	693487	Body-Fuel Pump
186	691764	Connector-Hose (Pulse Line)	297	691331	Nut (Air Filter Retainer)	392	●693491	Spring-Pump Diaphragm
187	296004	Line-Fuel (Cut to Required Length)	304	691391	Housing-Blower (Red)	394	●693489	Diaphragm-Carburetor
188	691003	Screw (Control Bracket)				395	690481	Cover-Valve Chamber
202	690570	Link-Mechanical Governor						
203	493230	Crank-Bell						

★ Included in Engine Gasket Set-Ref. No. 358.

● Included in Carburetor Overhaul Kit-Ref. No. 121.

■ Included in Carburetor Gasket Set-Ref. No. 977.

∅ Included in Valve Gasket Set-Ref. No. 1095.

Illustrations cover a range of engines. Parts shown without corresponding text may not be used on your specific engine.

REF. NO.	PART NO.	DESCRIPTION	REF. NO.	PART NO.	DESCRIPTION	REF. NO.	PART NO.	DESCRIPTION
404	690442	Washer (Governor Crank)	552A	690552	Bushing–Governor Crank	807	693511	Spacer–Throttle
405	690364	Screw (Back Plate)	562	690311	Bolt (Governor Control Lever)	842	★271170	Seal–O Ring (Dipstick)
425	691675	Screw (Air Cleaner Cover)	573	696040	Plate–Back	847	495715	Dipstick/Tube Assembly
432	●693492	Cap–Spring	579	690958	Nut (Brush Retainer)	851	493880	Terminal–Spark Plug
434	693493	Cover–Diaphragm	601	95162	Clamp–Hose (Zinc Plate)	859	●693488	Gasket–Carburetor Pump
435	693494	Screw (Diaphragm Cover)	615	690317	Retainer–Governor Shaft	859A	●693490	Gasket–Carburetor Pump
441	691176	Bracket–Oil Fill	616	491530	Crank–Governor	861	693502	Kit–Fuel Pump (Used On 4 Screw Fuel Pump Mount Carburetors)
445	394019	Filter–Air Cleaner Cartridge	629	262539	Spring–Throttle Return	865	691196	Cover–Air Guide
447	690297	Screw (Air Guide Cover)	635	66538	Boot–Spark Plug	865A	691197	Cover–Air Guide
449	691044	Screw (Oil Fill Bracket)	643	496700	Retainer–Air Filter	868	692324	Seal–Valve (Black)
474B	696459	Alternator (Dual Circuit)	689	690555	Spring–Friction	869	691802	Seat–Valve (Intake)
505	691029	Nut (Governor Control Lever)	691	★690657	Seal–Governor Shaft	870	691844	Seat–Valve (Exhaust)
507	691972	Insulator	695	693149	Screw (Ring Gear)	871	261961	Bushing–Valve Guide (Exhaust)
510	497606	Drive–Starter	697	691625	Screw (Drive Cap)			Note
513	692024	Clutch–Drive	716	220863	Washer (Connecting Rod)			231218 Bushing– Valve Guide (Intake)
520	691084	Terminal–Ground	726	391362	Gear–Ring (Includes Mounting Hardware)	877	393456	Wire/Connector– Alternator (Dual Circuit)
523	691385	Dipstick	741	691285	Gear–Timing	878	691237	Harness–Alternator (2 Wires, 48-1/2", And 48-1/2" Long)(Snap Connect Female Pin Terminal, And 2 Bare Wire Ends)
524	★692532	Seal–Dipstick Tube	742	690328	Retainer–E Ring			
525	690823	Tube–Oil Fill	783	693059	Gear–Pinion			
527	690423	Clamp–Tube	797	693167	Nut (Brush Retainer)			
544A	498595	Armature–Starter (4-3/8" Housing Length)(Service With Reference 309A, Part Number 498148)	801	691967	Cap–Drive			
551	690415	Cover–Valve Chamber	802	691286	Cap–End			
552	690553	Bushing–Governor Crank	803C	494205	Housing–Starter (4-3/8" Housing Length)			

★ Included in Engine Gasket Set–Ref. No. 358.

● Included in Carburetor Overhaul Kit–Ref. No. 121.

■ Included in Carburetor Gasket Set–Ref. No. 977.

∅ Included in Valve Gasket Set–Ref. No. 1095.

Illustrations cover a range of engines. Parts shown without corresponding text may not be used on your specific engine.

462700

REF. NO.	PART NO.	DESCRIPTION	REF. NO.	PART NO.	DESCRIPTION	REF. NO.	PART NO.	DESCRIPTION
918	393815	Hose-Vacuum (Cylinder To Impulse Pump) (Cut to Required Length)	1036	696779	Label-Emission (Used After Code Date 01093000). Note ——— 695702 Label- Emission (Used After Code Date 00063000 and Before Code Date 01100100).	1136	690329	Screw (Control Bracket) (High Speed Control)
934	691058	Screw (Fan Retainer)				1137	690390	Washer (Control Bracket) (High Speed Control)
947	693495	Solenoid-Fuel				1138	690330	Nut (Control Bracket) (High Speed Control)
955	693513	Plug-Carburetor	1051	691265	Ring-Retaining	1154	690366	Screw (Valve Chamber Cover)
967	272490	Filter-Pre Cleaner	1058	274796	Owner's Manual	1132	690286	Washer (Oil Slinger)
968	691207	Cover-Air Cleaner	1090	691293	Retainer-Brush	1159	690286	Washer (Oil Slinger)
971	691100	Screw (Air Cleaner Base)	1095	498047	Gasket Set-Valve			
1005	498157	Fan-Flywheel	1119	691183	Screw (Alternator)			
1006	691247	Retainer-Fan	1132	690353	Screw (Oil Slinger)			
1019	496726	Kit-Label						

★ Included in Engine Gasket Set-Ref. No. 358.

● Included in Carburetor Overhaul Kit-Ref. No. 121.

■ Included in Carburetor Gasket Set-Ref. No. 977.

∅ Included in Valve Gasket Set-Ref. No. 1095.

Illustrations cover a range of engines. Parts shown without corresponding text may not be used on your specific engine.