

**463700**

# Illustrated Parts List

## Model Series

# 463700

TYPE NUMBERS  
143 through 2637.

For Use On Engines Built Before Date Code – 02050900

### TABLE OF CONTENTS

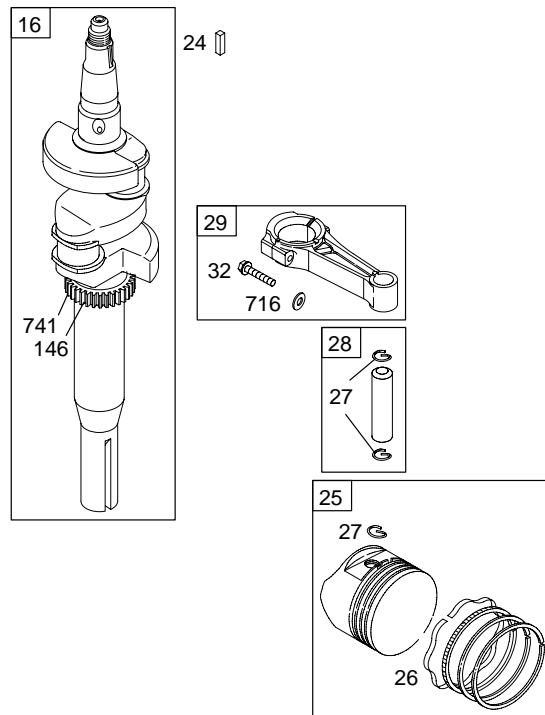
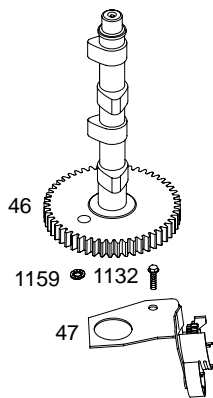
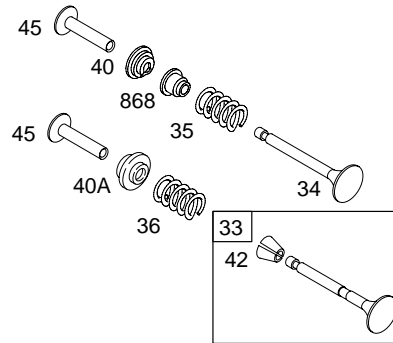
Air Cleaner .....	9
Alternator .....	8
Blower Housing/Shrouds .....	10
Cam .....	3
Carburetor .....	6
Carburetor .....	7
Controls .....	8
Crankcase Cover/Cylinder .....	2
Crankshaft .....	3
Electric Starter .....	12
Flywheel .....	11
Head .....	2
Kit/Gasket Sets – Carburetor .....	6
Kit/Gasket Sets – Engine .....	2
Kit/Gasket Sets – Fuel Pump .....	6
Kit/Gasket Sets – Valve .....	2
Muffler .....	9
Oil .....	4
Piston .....	3
Sump .....	5
Valves .....	3

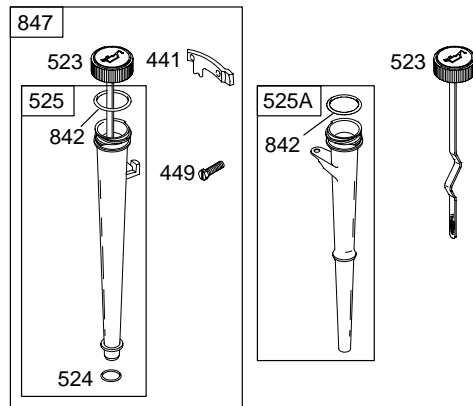


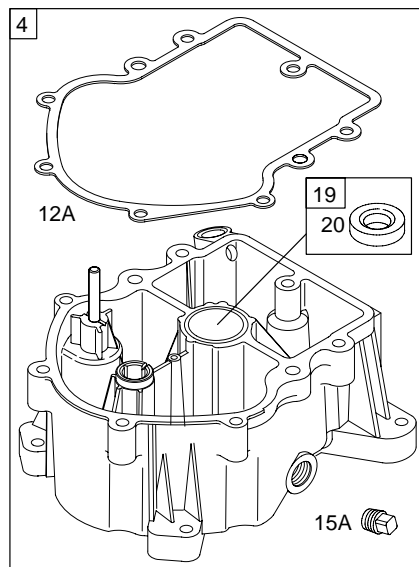
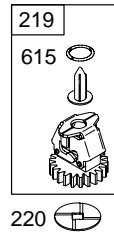
PRINTED IN U.S.A.

COPYRIGHT by BRIGGS & STRATTON CORPORATION  
All rights reserved. No part of this material may be reproduced or transmitted, in any form or by any means, electronic or mechanical, including photocopying, recording or by any information storage and retrieval system, without permission in writing from Briggs & Stratton Corporation.



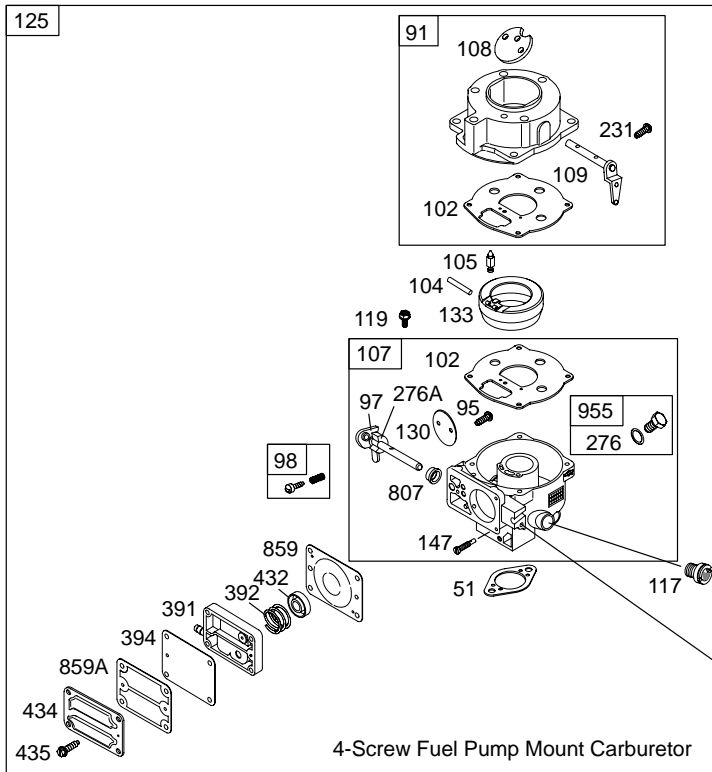




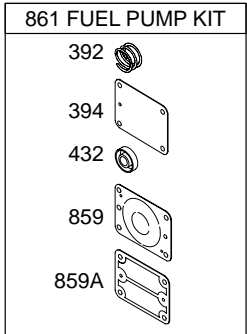
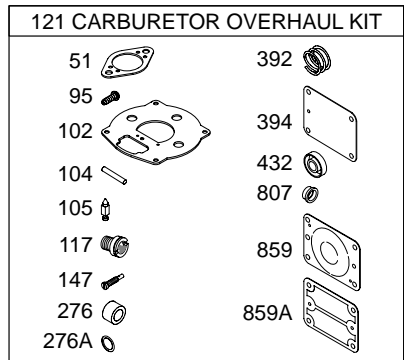


# 463700

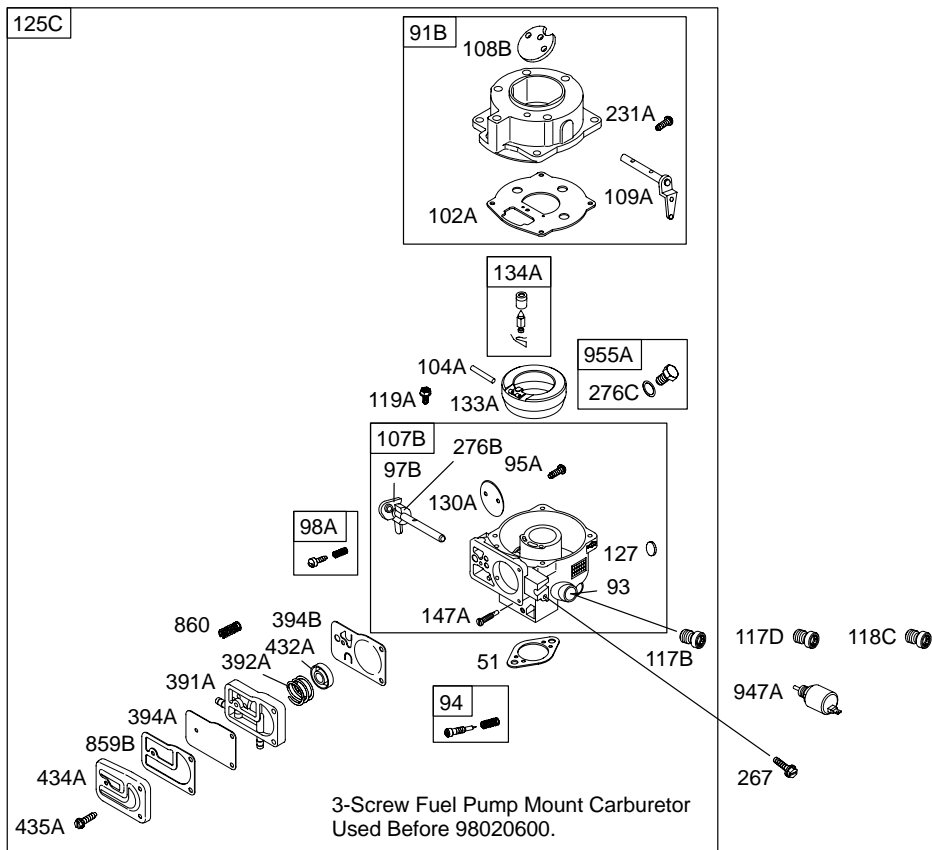
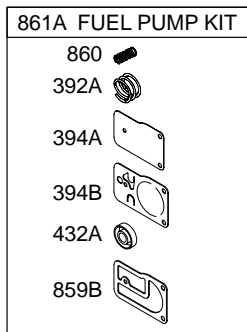
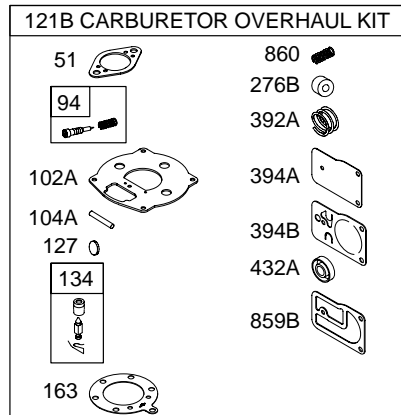
SEE ADDITIONAL PAGES  
FOR MORE CARBURETOR  
INFORMATION



- Model 4607
- Model 4617
- Model 4627
- Model 4637



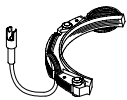
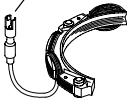





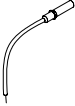
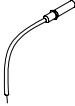

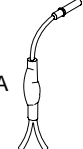
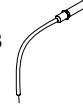
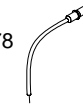
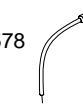



Illustrations cover a range of engines. Parts shown without corresponding text may not be used on your specific engine.  
5209-6 Assemblies include all parts shown in frames. 5C-6/2002

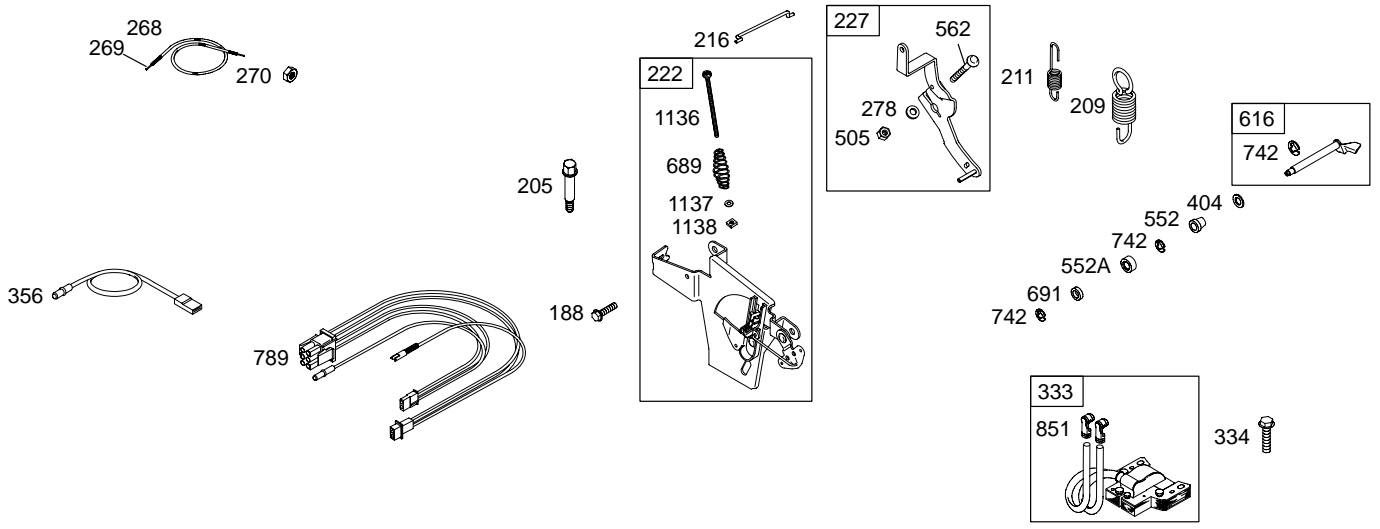


**Model 4607**

**Model 4617**

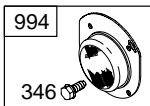
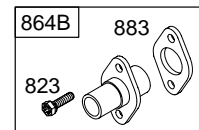
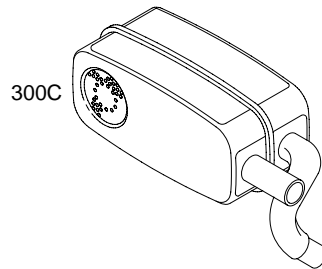
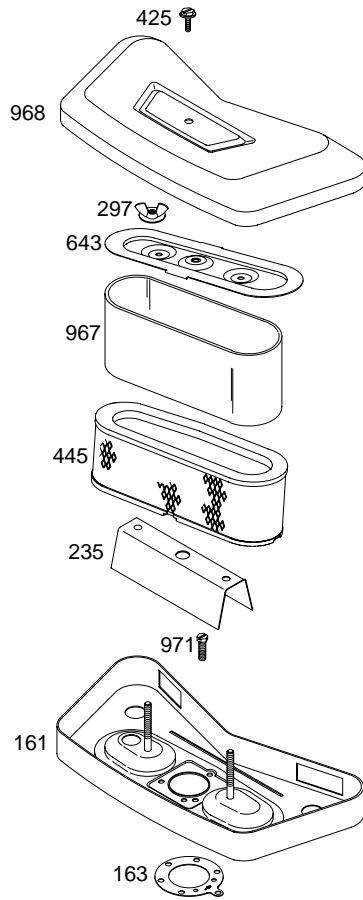
**3-Screw Fuel Pump Mount Carburetor  
Used Before 98020600.**

AC ONLY	DC ONLY	DUAL CIRCUIT	TRI CIRCUIT	9 AMP	10 AMP	16 AMP
474	474A	474B	474C	474C	474D	474D
	877A 	877 	877B 	877B 	877C 	877C 
578 	578 	878 	878A 	578 	578 	578 
<p><b>NOTE:</b> All stators use a No. 1119 mounting screw. </p> <p><b>NOTE:</b> The proper flywheel part number and/or the alternator magnet size will determine the alternator type or output. See repair instruction manual for additional information.</p>				<p>526A </p> <p>501A </p>		

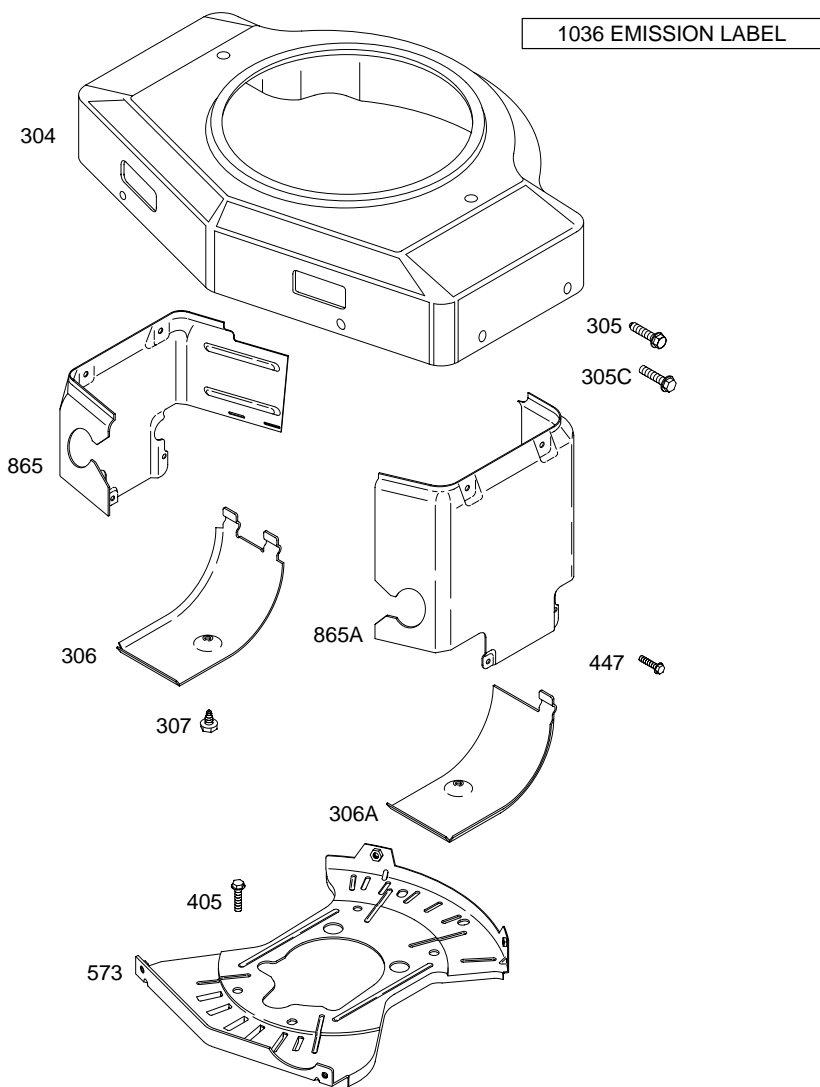


Illustrations cover a range of engines. Parts shown without corresponding text may not be used on your specific engine.  
 5209-8 Assemblies include all parts shown in frames. 5C-6/2002

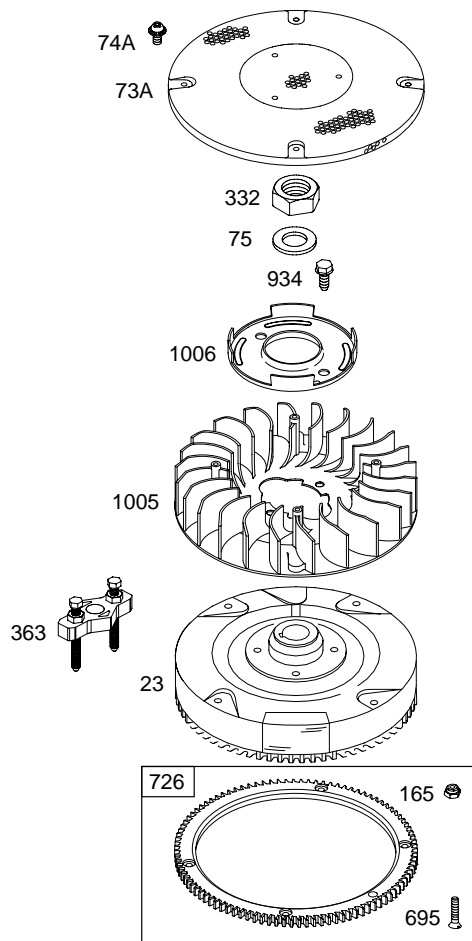




Illustrations cover a range of engines. Parts shown without corresponding text may not be used on your specific engine.  
 5209-9 Assemblies include all parts shown in frames. 5C-6/2002

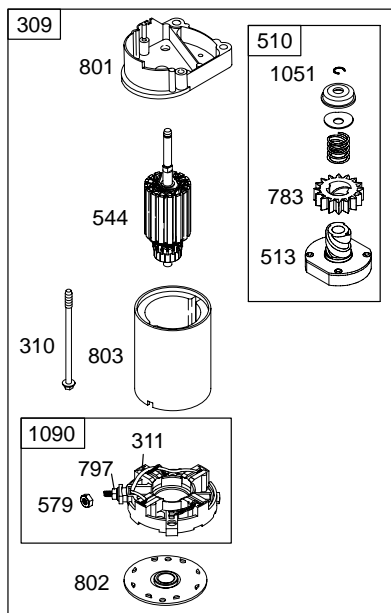


*Illustrations cover a range of engines. Parts shown without corresponding text may not be used on your specific engine.*



Illustrations cover a range of engines. Parts shown without corresponding text may not be used on your specific engine.  
 5209-11 Assemblies include all parts shown in frames. 5C-6/2002

697 



REF. NO.	PART NO.	DESCRIPTION	REF. NO.	PART NO.	DESCRIPTION	REF. NO.	PART NO.	DESCRIPTION
1	697078	Cylinder Assembly	20	★291675	Seal–Oil (PTO Side)	29	394306	Rod–Connecting (Standard)
2	399265	Kit–Bushing/Seal (Magneto Side)	22	691104	Screw (Crankcase Cover/Sump)			———— <b>Note</b> ———— 397158 Rod– Connecting (.020" Oversize)
3	★391086	Seal–Oil (Magneto Side)	22A	693972	Screw (Crankcase Cover/Sump)	32	691133	Screw (Connecting Rod)
4	493304	Sump–Engine (Splash Lube)	23	691976	Flywheel	33	691794	Valve–Exhaust
5B	691162	Head–Cylinder (Cylinder 1)			———— <b>Note</b> ———— 690655 Flywheel Used on Type No(s). 2637.	34	691804	Valve–Intake
5C	691163	Head–Cylinder (Cylinder 2)	24	222698	Key–Flywheel	35	691605	Spring–Valve (Intake)
7	★Ø697075	Gasket–Cylinder Head (Cylinder 1)	25	692271	Piston Assembly (Standard)	36	691597	Spring–Valve (Exhaust)
7A	★Ø697076	Gasket–Cylinder Head (Cylinder 2)			———— <b>Note</b> ———— 692272 Piston Assembly (.010" Oversize)	40	690656	Retainer–Valve (Intake)
8	495754	Breather Assembly			692273 Piston Assembly (.020 Oversize)	40A	691939	Retainer–Valve (Exhaust)
9	★Ø27803	Gasket–Breather			692274 Piston Assembly (.030" Oversize)	42	494553	Keeper–Valve
10	690334	Screw (Breather Assembly)	26	690162	Ring Set (Standard)	45	691800	Tappet–Valve
11	691899	Tube–Breather			———— <b>Note</b> ———— 690164 Ring Set (.010" Oversize)	46	691161	Camshaft
12	★692287	Gasket–Crankcase			690166 Ring Set (.020" Oversize)	47	691964	Slinger–Oil
12A	★692292	Gasket–Crankcase (.015" Thick) (Standard)			690168 Ring Set (.030" Oversize)	50	691709	Manifold–Intake
		———— <b>Note</b> ———— ★271188 Gasket– Crankcase (.005" Thick)			Lock–Piston Pin	51	★●692278	Gasket–Intake
		★271189 Gasket– Crankcase (.009" Thick)	27	691299	Pin–Piston (Standard)	51A	★Ø692219	Gasket–Intake
13	691651	Screw (Cylinder Head)	28	498319	Pin–Piston (Standard)	54	93208	Screw (Intake Manifold)
15A	690946	Plug–Oil Drain (3/8" Standard)			———— <b>Note</b> ———— 498320 Pin–Piston (.005" Oversize)	73A	692527	Screen–Rotating (Steel)
16	690636	Crankshaft				74A	691677	Screw (Rotating Screen)
18	495901	Cover–Crankcase				75	691056	Washer (Flywheel)
19	399264	Kit–Bushing/Seal (PTO Side)				91	693483	Body–Upper Carburetor
						95	690718	Screw (Throttle Valve)
						97	693485	Shaft–Throttle
						98	807923	Kit–Idle Speed

★ Included in Engine Gasket Set–Ref. No. 358.

● Included in Carburetor Overhaul Kit–Ref. No. 121.

■ Included in Carburetor Gasket Set–Ref. No. 977.

Ø Included in Valve Gasket Set–Ref. No. 1095.

Illustrations cover a range of engines. Parts shown without corresponding text may not be used on your specific engine.

# 463700

REF. NO.	PART NO.	DESCRIPTION	REF. NO.	PART NO.	DESCRIPTION	REF. NO.	PART NO.	DESCRIPTION
102	●693509	Gasket-Carburetor Body	188	691003	Screw (Control Bracket)	278	692810	Washer (Governor Control Lever)
104	●693506	Pin-Float Hinge	202	690570	Link-Mechanical Governor	297	691331	Nut (Air Filter Retainer)
105	●692078	Valve-Float Needle	203	493230	Crank-Bell	304	691390	Housing-Blower (Red) Used on Type No(s). 0168, 2637.
107	693482	Body-Lower Carburetor	205	690322	Screw (Bell Crank)			
108	693505	Valve-Choke	209	691273	Spring-Governor (White)			
109	693498	Shaft-Choke	211	691807	Spring-Governed Idle			
117	693538	Jet-Main (Standard)	212	693544	Link-Throttle (Used On 4 Screw Fuel Pump Mount Carburetors)			
119	690720	Screw (Upper To Lower Carburetor Body)	219	696376	Gear-Governor			
121	693501	Kit-Carburetor Overhaul (Used On 4 Screw Fuel Pump Mount Carburetors)	220	690412	Washer (Governor Gear)	305	690960	Screw (Blower Housing)
122	691928	Spacer-Carburetor	222	691366	Bracket-Control	305C	690297	Screw (Blower Housing)
125	693479	Carburetor (4 Screw Fuel Pump Mount)	227	690762	Lever-Governor Control	306	690414	Shield-Cylinder
130	693504	Valve-Throttle	231	690718	Screw (Choke Valve)	306A	690435	Shield-Cylinder
133	693512	Float-Carburetor	235	691206	Shield-Fuel Spray	307	691003	Screw (Cylinder Shield)
146	691639	Key-Timing	240	394358	Filter-Fuel	309	497596	Motor-Starter (3-5/8" Housing Length)
147	693508	Jet-Pilot	267	690316	Screw (Casing Clamp)	310	690323	Bolt (Starter Motor) (3-5/8" Housing Length)
161	691401	Base-Air Cleaner (Metal)	268	691025	Casing-Control Wire (Cut To Required Length)	311	497608	Brush Set
163	★690273	Gasket-Air Cleaner	269	691026	Wire-Control (Cut to Required Length)	332	691059	Nut (Flywheel)
165	693148	Nut (Ring Gear)	270	691027	Nut (Control Wire Casing)	333	394891	Armature-Magneto (MAGNETRON®)
186	691764	Connector-Hose (Pulse Line)	276	693497	Washer-Sealing (Carburetor Plug)	334	691061	Screw (Magneto Armature)
187	296004	Line-Fuel (Cut to Required Length)	276A	●693510	Washer-Sealing (Foam)	337	802592	Plug-Spark (Resistor)
		<b>Note</b> 499167 Line-Fuel (Cut to Required Length) Used on Type No(s). 0159.						

★ Included in Engine Gasket Set-Ref. No. 358.

● Included in Carburetor Overhaul Kit-Ref. No. 121.

■ Included in Carburetor Gasket Set-Ref. No. 977.

∅ Included in Valve Gasket Set-Ref. No. 1095.

*Illustrations cover a range of engines. Parts shown without corresponding text may not be used on your specific engine.*

REF. NO.	PART NO.	DESCRIPTION	REF. NO.	PART NO.	DESCRIPTION	REF. NO.	PART NO.	DESCRIPTION
356	690807	Wire—Stop (1 Wire, 15-13/16" Long)(Snap Connect Insulated Female Blade Terminal, And Snap Connect Insulated Pin Socket)	501A	691188	Regulator (5 To 9 Amp Regulated)	615	690317	Retainer—Governor Shaft
358	495868	Gasket Set—Engine	505	691029	Nut (Governor Control Lever)	616	491530	Crank—Governor
359	691077	Washer (Ground Terminal)	507	691972	Insulator	629	262539	Spring—Throttle Return
363	19203	Puller—Flywheel	510	497606	Drive—Starter	635	66538	Boot—Spark Plug
365	690321	Screw (Carburetor)	513	692024	Clutch—Drive	643	496700	Retainer—Air Filter
373	691612	Nut (Ground Terminal)	520	691084	Terminal—Ground	689	690555	Spring—Friction
383	89838	Wrench—Spark Plug	523	691385	Dipstick	691	★690657	Seal—Governor Shaft
391	693487	Body—Fuel Pump	524	★692532	Seal—Dipstick Tube	695	693149	Screw (Ring Gear)
392	●693491	Spring—Pump Diaphragm	525	690823	Tube—Oil Fill	697	691625	Screw (Drive Cap)
394	●693489	Diaphragm— Carburetor	526A	690326	Screw (Regulator)	716	220863	Washer (Connecting Rod)
395	690481	Cover—Valve Chamber			(5 To 9 Amp Regulated)	725	280866	Shield—Heat
404	690442	Washer (Governor Crank)	527	690423	Clamp—Tube	726	391362	Gear—Ring (Includes Mounting Hardware)
405	690364	Screw (Back Plate)	544	692034	Armature—Starter (3-5/8" Housing Length)	741	691285	Gear—Timing
425	691675	Screw (Air Cleaner Cover)	551	690415	Cover—Valve Chamber	742	690328	Retainer—E Ring
432	●693492	Cap—Spring	552	690553	Bushing—Governor Crank	783	693059	Gear—Pinion
434	693493	Cover—Diaphragm	552A	690552	Bushing—Governor Crank	789	695050	Harness—Wiring (6 Pin Customer Conversion)
435	693494	Screw (Diaphragm Cover)	562	690311	Bolt (Governor Control Lever)	797	693167	Nut (Brush Retainer)
441	691176	Bracket—Oil Fill	573	696040	Plate—Back	801	691967	Cap—Drive
445	394019	Filter—Air Cleaner Cartridge	578	692306	Wire Assembly (1 Wire, 48-1/2" Long)(Snap Connect Female Pin Socket, And Bare Wire End)	802	691286	Cap—End
447	690297	Screw (Air Guide Cover)	579	690958	Nut (Starter Cable)	803	693757	Housing—Starter (3-5/8" Housing Length)
449	691044	Screw (Oil Fill Bracket)	601	95162	Clamp—Hose (Zinc Plate)(Spring Wire)	807	693511	Spacer—Throttle
474B	696459	Alternator (Dual Circuit)				842	★271170	Seal—O Ring (Dipstick Tube)
474C	696457	Alternator (Tri Circuit 5 To 9 Amp Regulated)				847	495715	Dipstick/Tube Assembly
						851	493880	Terminal—Spark Plug
						859	●693488	Gasket—Carburetor Pump
						859A	●693490	Gasket—Carburetor Pump

★ Included in Engine Gasket Set—Ref. No. 358.

● Included in Carburetor Overhaul Kit—Ref. No. 121.

■ Included in Carburetor Gasket Set—Ref. No. 977.

⊘ Included in Valve Gasket Set—Ref. No. 1095.

*Illustrations cover a range of engines. Parts shown without corresponding text may not be used on your specific engine.*

# 463700

REF. NO.	PART NO.	DESCRIPTION	REF. NO.	PART NO.	DESCRIPTION	REF. NO.	PART NO.	DESCRIPTION
861	693502	Kit-Fuel Pump (Used On 4 Screw Fuel Pump Mount Carburetors)	918	393815	Hose-Vacuum (Cylinder To Impulse Pump) (Cut to Required Length)	1051	691265	Ring-Retaining
865	691196	Cover-Air Guide				1058	274796	Owner's Manual (Emission) ———— <b>Note</b> ———
865A	691197	Cover-Air Guide	934	691058	Screw (Fan Retainer)			272112 Owner's Manual (Non Emission)
868	692324	Seal-Valve (Black)	947	693495	Solenoid-Fuel	1090	691293	Retainer-Brush
869	691802	Seat-Valve (Intake)	955	693513	Plug-Carburetor	1095	498047	Gasket Set-Valve
870	691844	Seat-Valve (Exhaust)	967	272490	Filter-Pre Cleaner	1119	691183	Screw (Alternator)
871	261961	Bushing-Valve Guide (Exhaust) ———— <b>Note</b> ———	968	691207	Cover-Air Cleaner	1132	690353	Screw (Oil Slinger)
		231218 Bushing-Valve Guide (Intake)	971	691100	Screw (Air Cleaner Base)	1136	690329	Screw (Control Bracket) (High Speed Control)
877	393456	Wire/Connector- Alternator (Dual Circuit)	1005	498157	Fan-Flywheel	1137	690390	Washer (Control Bracket) (High Speed Control)
877B	393537	Wire/Connector- Alternator (Tri Circuit 5 To 9 Amp Regulated)	1006	691247	Retainer-Fan	1138	690330	Nut (Control Bracket) (High Speed Control)
878	691237	Harness-Alternator (2 Wires, 48-1/2", And 48-1/2" Long)(Snap Connect Female Pin Terminal, And 2 Bare Wire Ends)	1019	496726	Kit-Label ———— <b>Note</b> ———	1154	690366	Screw (Valve Chamber Cover)
					697080 Kit-Label	1159	690353	Washer (Oil Slinger)
			1036	696779	Label-Emission (Used After Code Date 01093000). ———— <b>Note</b> ———			
					695702 Label- Emission (Used After Code Date 00063000 and Before Code Date 01100100).			

★ Included in Engine Gasket Set-Ref. No. 358.

● Included in Carburetor Overhaul Kit-Ref. No. 121.

■ Included in Carburetor Gasket Set-Ref. No. 977.

∅ Included in Valve Gasket Set-Ref. No. 1095.

*Illustrations cover a range of engines. Parts shown without corresponding text may not be used on your specific engine.*