

Illustrated Parts List

Model Series

589400 to 589499

GAS

TYPE NUMBERS
0305 and 0322.

**TO FIND
THE CORRECT NUMBER OF THE PART YOU NEED:
FOLLOW THE INSTRUCTIONS BELOW**

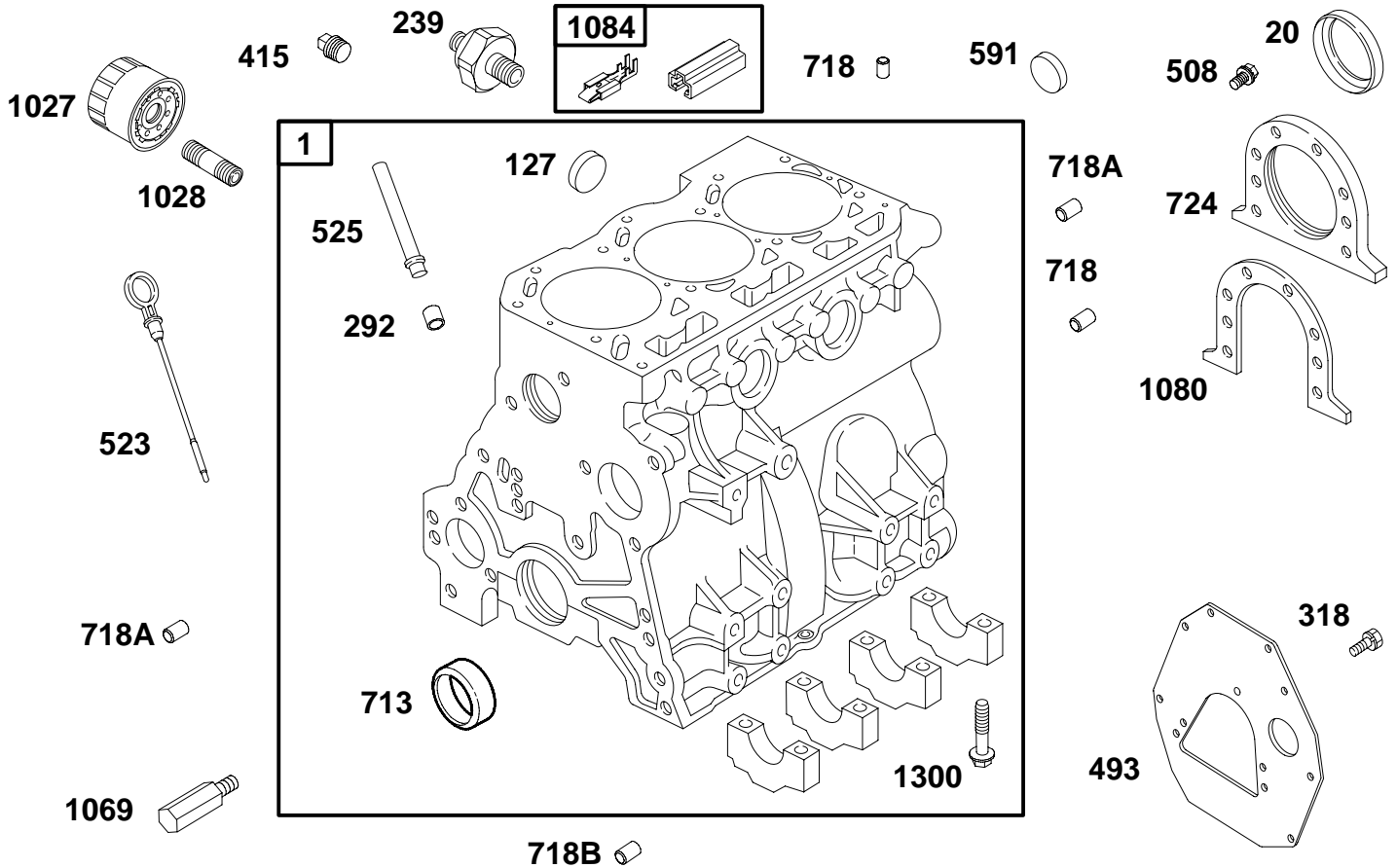
- A. Refer to Model, Type and Code Number that is located on the engine. Engine type numbers such as 0123 01 are listed only as 0123 in most instances. The two digits (01 or 02, etc.) to the right of the space may be required for more accurate parts identification in some instances. Select the Illustrated Parts List covering the correct Model Series and Type Number.
- B. Refer to the Illustrations and compare the original part with Illustration. The number next to the illustration is the Reference Number. Assemblies include all parts shown in frames. All parts shown in assembly frames having individual reference numbers can be purchased separately.
- C. After the Reference Number has been identified, refer to the Numerical text, where Reference and Primary Part Number are listed. **THE PRIMARY PART IS USED ON ALL TYPE NUMBERS EXCEPT THOSE TYPE NUMBERS UNDER "NOTE"**.
- D. If a "Note" appears below the Primary Part Number, it means that this part differs from the Primary Part for certain types. If your Type number is listed under "Note", order the part referred to at the "Note".
- E. If your Engine Type Number does not appear after any part number listed under "Note", use the Primary Part Number.
- F. For Engine Type Numbers not covered by this book, check other Parts Lists having the same engine model or contact your source of supply.
- G. **REFER TO REPAIR MANUAL MS 0750 FOR ASSEMBLY AND/OR TORQUE REQUIREMENTS.**

PRINTED IN U.S.A.



COPYRIGHT by BRIGGS & STRATTON DAIHATSU LLC
All rights reserved. No part of this material may be reproduced or transmitted, in any form or by any means, electronic or mechanical, including photocopying, recording or by any information storage and retrieval system, without permission in writing from Briggs & Stratton DAIHATSU LLC.

589400 to 589499



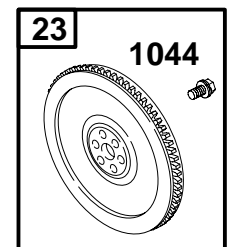
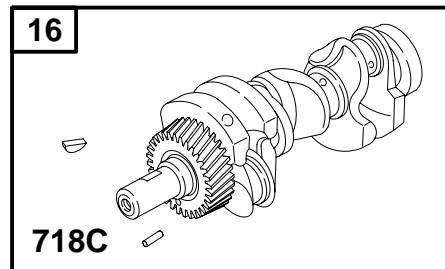
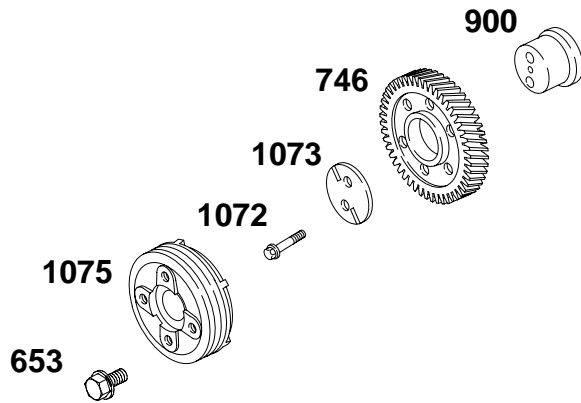
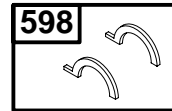
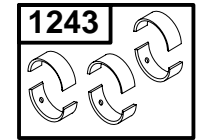
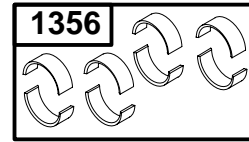
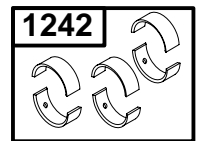
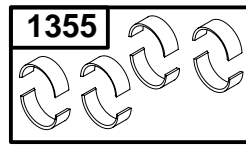
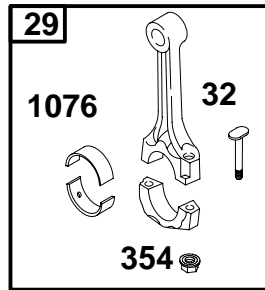
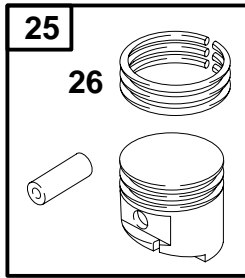
REF. NO.	PART NO.	DESCRIPTION	REF. NO.	PART NO.	DESCRIPTION	REF. NO.	PART NO.	DESCRIPTION
1	825335	Cylinder Assembly	493	820170	Bracket-Mounting	1027	491056	Filter-Oil
20	★821073	Seal-Oil (PTO Side)	508	820031	Screw (Seal Retainer)	1028	820050	Adapter-Oil Filter
127	820004	Plug-Welch	523	820103	Dipstick	1069	820102	Nozzle-Oil
239	825000	Switch-Oil Pressure	525	820144	Tube-Dipstick	1080	★820145	Gasket-Seal Retainer
292	820662	Collar-Dipstick Tube	591	821069	Plug-Camshaft	1084	825154	Terminal-Connector (Oil Pressure Switch)
318	820176	Screw (Mounting Bracket)	713	820129	Bushing-Camshaft	1300	820042	Screw (Crankshaft Bearing Cap)
415	820051	Plug	718	820063	Pin-Locating			
			718A	820062	Pin-Locating			
			718B	820061	Pin-Locating			
			724	820146	Retainer-Seal			

★ Engine Gasket Set – Reference 358

◆ Carburetor Overhaul Kit – Reference 121

△ Valve Gasket Set – Reference 1095

589400 to 589499



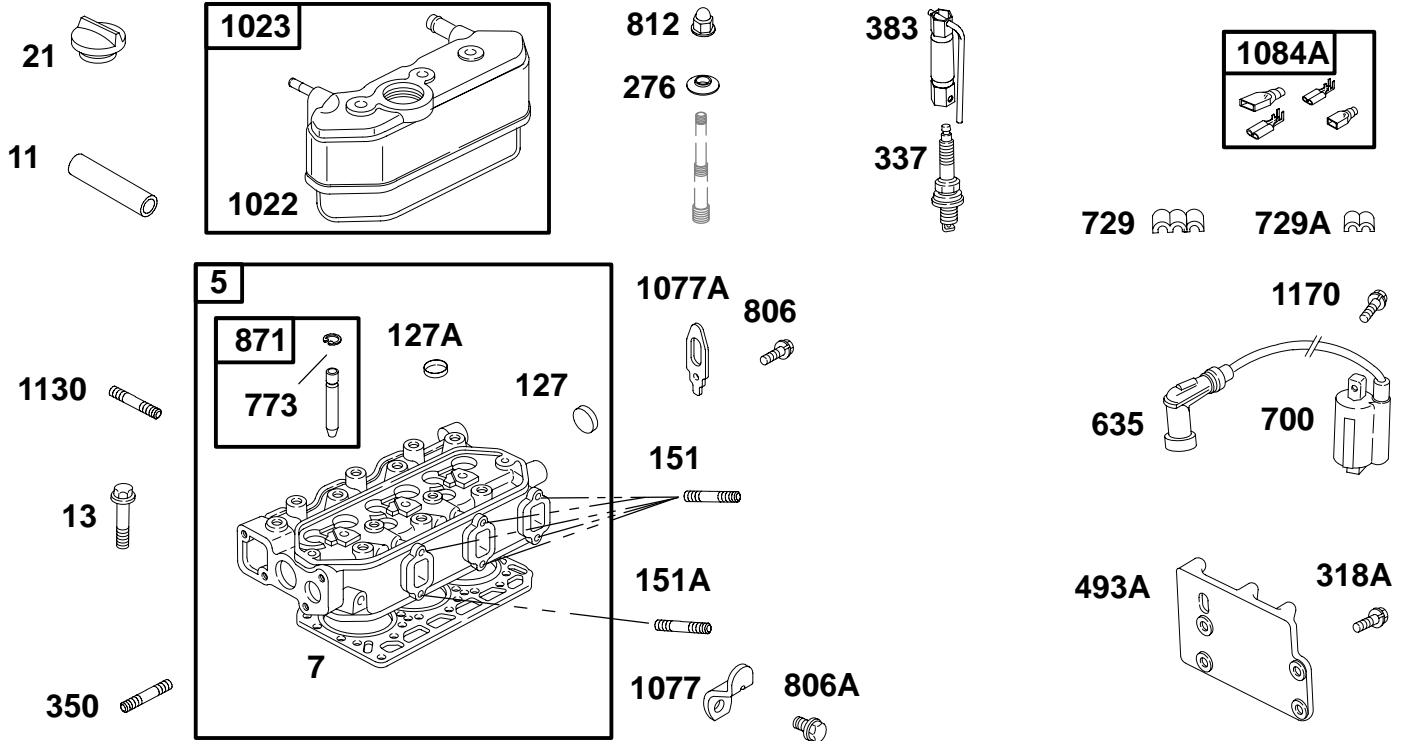
REF. NO.	PART NO.	DESCRIPTION	REF. NO.	PART NO.	DESCRIPTION	REF. NO.	PART NO.	DESCRIPTION
16	825552	Crankshaft	354	820073	Nut (Connecting Rod)	1044	820080	Screw (Flywheel)
23	825303	Flywheel	598	820140	Shim-Endplay (Crankshaft) (Standard)	1072	820081	Screw (Idle Gear Plate)
25	825641	Piston Assembly (Standard)			Note	1073	820117	Plate-Idle Gear
		Note			Note	1075	820236	Pulley-Crankshaft
		825643 Piston Assembly (.010" Oversize)			820139 Shim- Endplay (Crankshaft) (.010" Oversize)	1076	820142	Bearing/STD-Rod
26	825036	Ring Set	653	820079	Screw (Crankshaft Pulley)	1242	825019	Bearing Set/STD-Rod (Standard)
		Note				1243	825060	Bearing Set/010-Rod (.010" Undersize)
		825034 Ring Set (.010" Oversize)	718C	821033	Pin-Locating	1355	825040	Bearing Set/STD-Main
29	825033	Rod-Connecting	746	820611	Gear-Idler	1356	825039	Bearing Set/010-Main
32	820128	Screw (Connecting Rod)	900	820116	Shaft-Gear			

★ Engine Gasket Set – Reference 358

◆ Carburetor Overhaul Kit – Reference 121

△ Valve Gasket Set – Reference 1095

589400 to 589499





REF. NO.	PART NO.	DESCRIPTION	REF. NO.	PART NO.	DESCRIPTION	REF. NO.	PART NO.	DESCRIPTION
5	825624	Head-Cylinder	318A	820024	Screw (Mounting Bracket)	812	820071	Nut (Rocker Cover)
7	★Δ820648	Gasket-Cylinder Head	337	491055	Plug-Spark	871	825030	Bushing-Valve Guide
11	820048	Tube-Breather	350	820078	Stud (Water Pump)	1022	★Δ820150	Gasket-Rocker Cover
13	820623	Screw (Cylinder Head)	383	19374	Wrench-Spark Plug	1023	825277	Cover-Rocker
21	825024	Cap-Oil Fill	493A	820083	Bracket-Mounting	1077	820260	Bracket-Lifting
127	820004	Plug-Welch	635	820084	Boot-Spark Plug	1077A	820254	Bracket-Lifting
127A	820005	Plug-Welch	700	820037	Coil-Ignition	1084A	825155	Connector-Terminal
151	820014	Stud (Exhaust Manifold)	729	820672	Clip-Wire	1130	820015	Stud (Intake Manifold)
151A	820466	Stud (Exhaust Manifold)	729A	820046	Clip-Wire	1170	820012	Screw (Ignition Coil)
276	★Δ820064	Washer-Sealing (Rocker Cover)	773	820130	Retainer			
			806	820212	Screw (Lifting Bracket)			
			806A	820024	Screw (Lifting Bracket)			

★ Engine Gasket Set – Reference 358

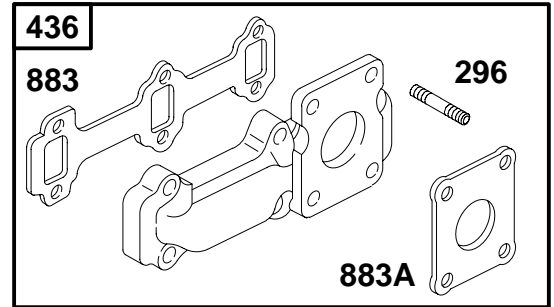
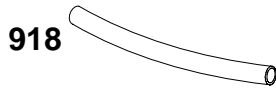
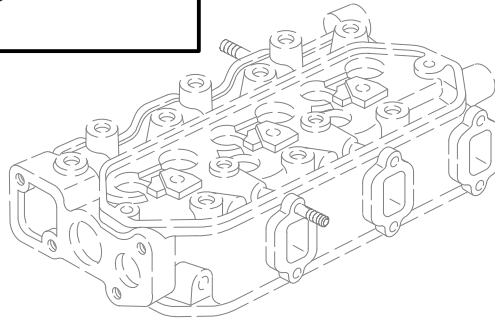
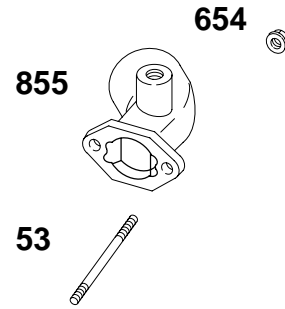
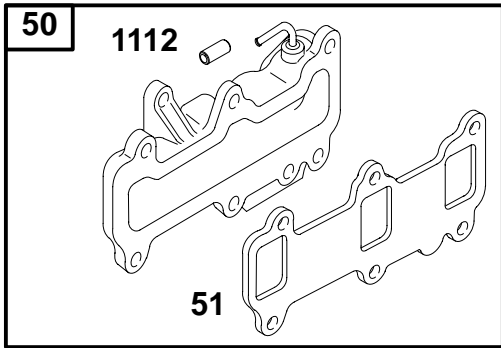
◆ Carburetor Overhaul Kit – Reference 121

Δ Valve Gasket Set – Reference 1095

589400 to 589499

54  1174 

1011 



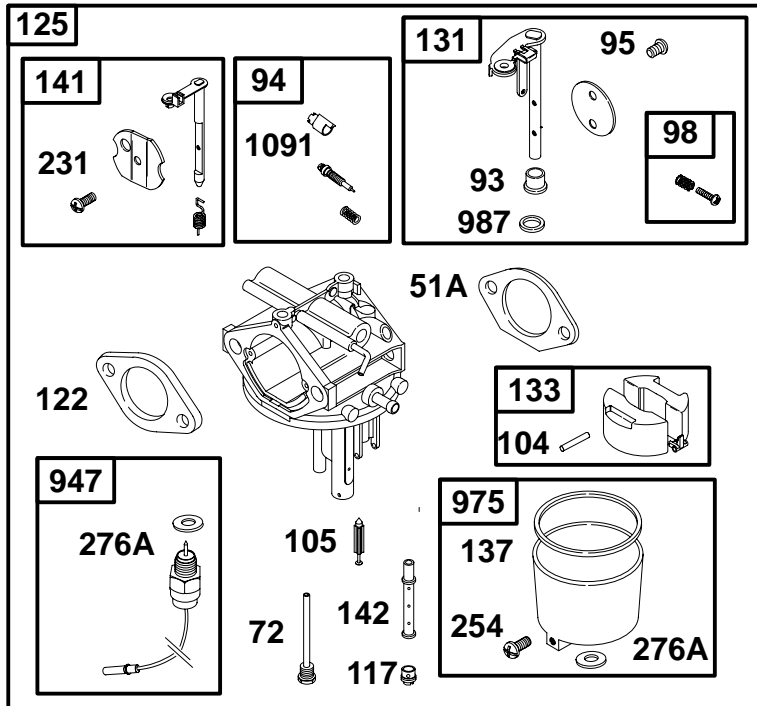
REF. NO.	PART NO.	DESCRIPTION	REF. NO.	PART NO.	DESCRIPTION	REF. NO.	PART NO.	DESCRIPTION
50	825261	Manifold-Intake	436	825055	Manifold-Exhaust	1011	820184	Tube-Vent
51	820087	Gasket-Intake (Intake Manifold)	654	820011	Nut (Carburetor)	1112	820543	Plug-Vent
53	820077	Stud (Carburetor Mounting)	855	820921	Adapter-Air Cleaner	1174	820069	Nut (Intake Manifold)
54	820031	Screw (Intake Manifold)	883	★820817	Gasket-Exhaust (Exhaust Manifold)	1176	820010	Nut (Exhaust Manifold)
296	820553	Stud (Muffler)	883A	★821001	Gasket-Exhaust (Muffler)			
			918	820393	Hose-Vacuum			

★ Engine Gasket Set – Reference 358

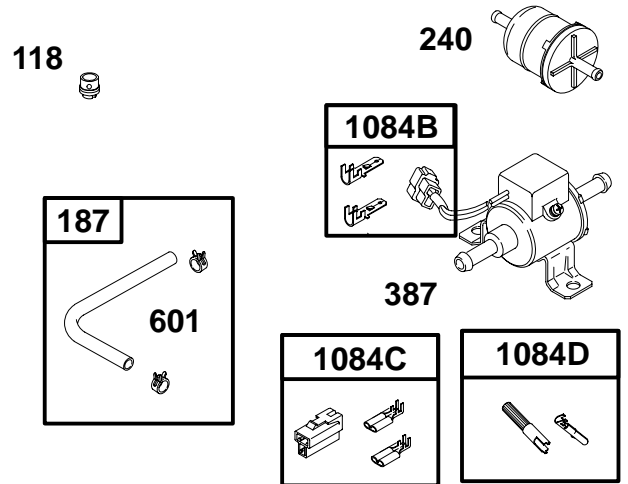
◆ Carburetor Overhaul Kit – Reference 121

△ Valve Gasket Set – Reference 1095

589400 to 589499



AISAN



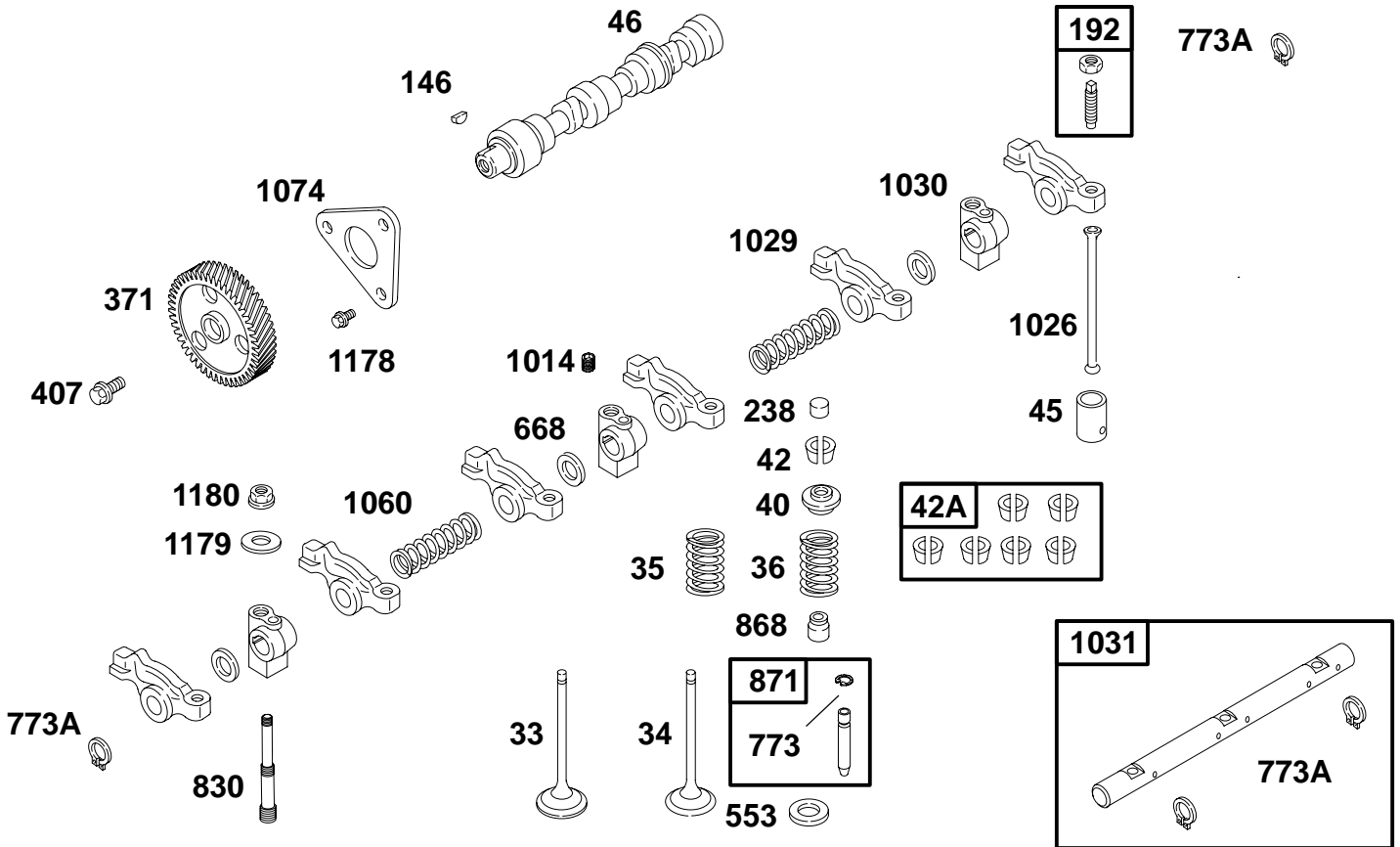
121 CARBURETOR OVERHAUL KIT

REF. NO.	PART NO.	DESCRIPTION	REF. NO.	PART NO.	DESCRIPTION	REF. NO.	PART NO.	DESCRIPTION
51A	◆★820385	Gasket-Intake (Carburetor)	121	825238	Kit-Carburetor Overhaul	1084B	825156	Terminal-Connector
72	◆820626	Tube-Jet	122	◆820082	Spacer-Carburetor	1084C	825157	Terminal-Connector
93	◆	Bushing-Throttle Shaft (Sold In Kit Only)	125	825569	Carburetor	1084D	825158	Terminal-Connector (Fuel Solenoid)
94	★◆825241	Kit-Idle Mixture	131	825297	Kit-Throttle Shaft	1091	◆691515	Cap-Limiter
95	◆820485	Screw (Throttle Valve)	133	825240	Float-Carburetor			
98	★◆825242	Kit-Idle Speed	137	◆820489	Gasket-Float Bowl			
104	◆690739	Pin-Float Hinge	141	825246	Kit-Choke Shaft			
105	◆820486	Valve-Needle Valve	142	◆820490	Nozzle-Carburetor			
117	821049	Jet-Main (Standard)	187	825044	Line-Fuel			
118	821056	Jet-Main (High Altitude) (2,400 to 6,600 Feet)	231	820485	Screw (Choke Valve)			
		Note	240	821026	Filter-Fuel			
		820457 Jet-Main (High Altitude) (6,000 to 10,000 Feet)	254	820491	Drain-Carburetor Bowl			
			276A	◆692343	Washer-Sealing			
			387	825232	Pump-Fuel			
			601	820006	Clamp-Hose			
			947	825377	Solenoid-Fuel			
			975	825239	Bowl-Float			
			987	690734	Seal-Throttle Shaft			

★ Engine Gasket Set - Reference 358

◆ Carburetor Overhaul Kit - Reference 121

△ Valve Gasket Set - Reference 1095

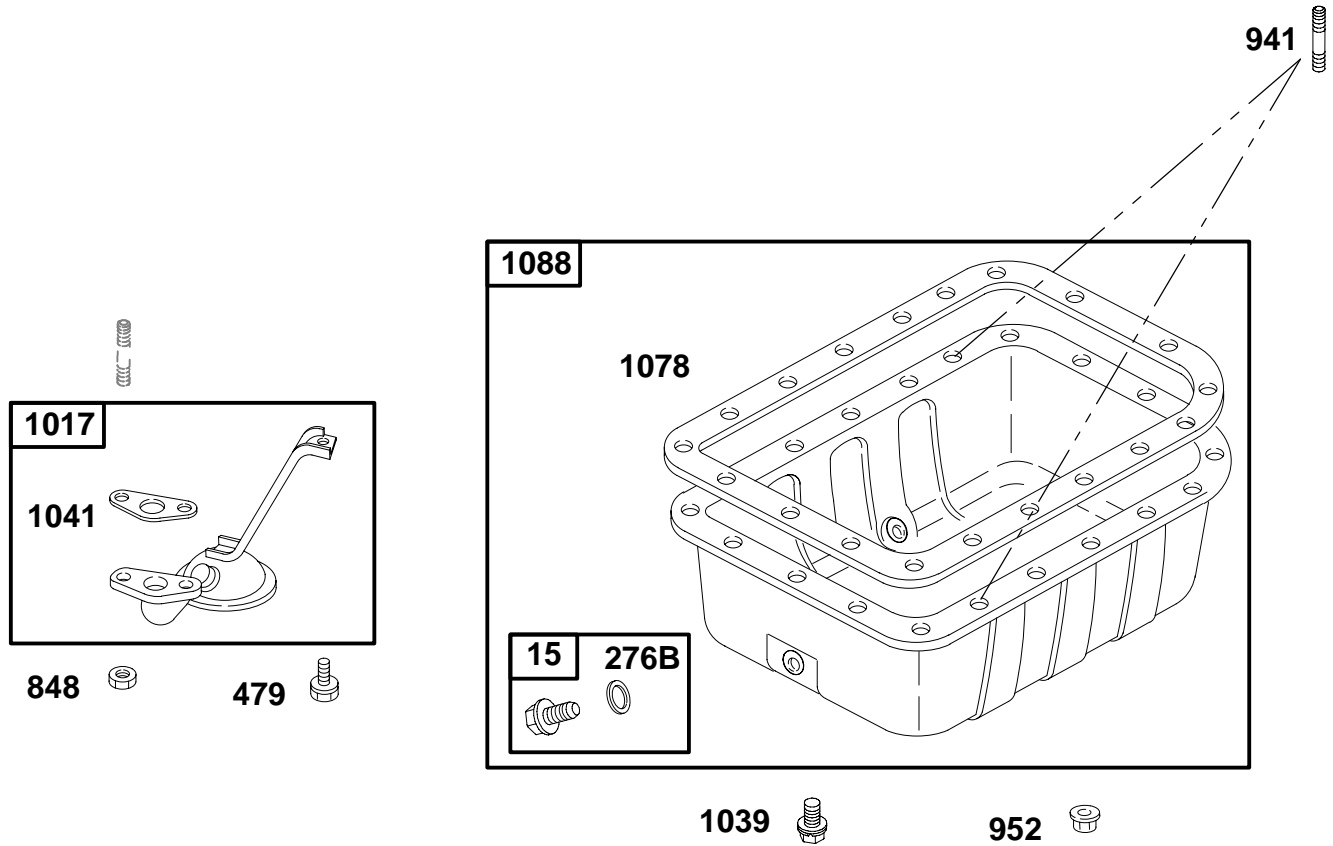


REF. NO.	PART NO.	DESCRIPTION	REF. NO.	PART NO.	DESCRIPTION	REF. NO.	PART NO.	DESCRIPTION
33	820114	Valve-Exhaust	192	825041	Adjuster-Rocker Arm	1014	820105	Screw
34	820115	Valve-Intake	238	820113	Cap-Valve			(Rocker Arm Support)
35	820043	Spring-Valve (Intake)	371	820613	Gear-Cam (Cam Gear)	1026	820422	Rod-Push
36	820043	Spring-Exhaust (Exhaust)	407	820075	Screw	1029	820387	Arm-Rocker
40	820111	Retainer-Valve	553	820112	Retainer-Valve Spring	1030	820106	Support-Rocker Arm
42	825042	Keeper-Valve (Contains 1 Set)	668	820065	Spacer (Rocker Arm Shaft)	1031	825093	Shaft-Rocker Arm
42A	825082	Keeper-Valve (Contains 6 Sets)	773	820130	Retainer	1060	820044	Spring-Rocker Shaft
45	820110	Tappet-Valve	773A	820003	Retainer	1074	820118	Retainer-Camshaft
46	820388	Camshaft	830	820076	Stud-Rocker Cover	1178	820032	Screw (Rocker Arm Support)
146	691639	Key-Timing	868	820041	Seal-Valve	1179	820177	Washer (Rocker Arm Support)
			871	825030	Bushing-Valve Guide	1180	820070	Nut (Rocker Arm Support)

★ Engine Gasket Set – Reference 358

◆ Carburetor Overhaul Kit – Reference 121

△ Valve Gasket Set – Reference 1095

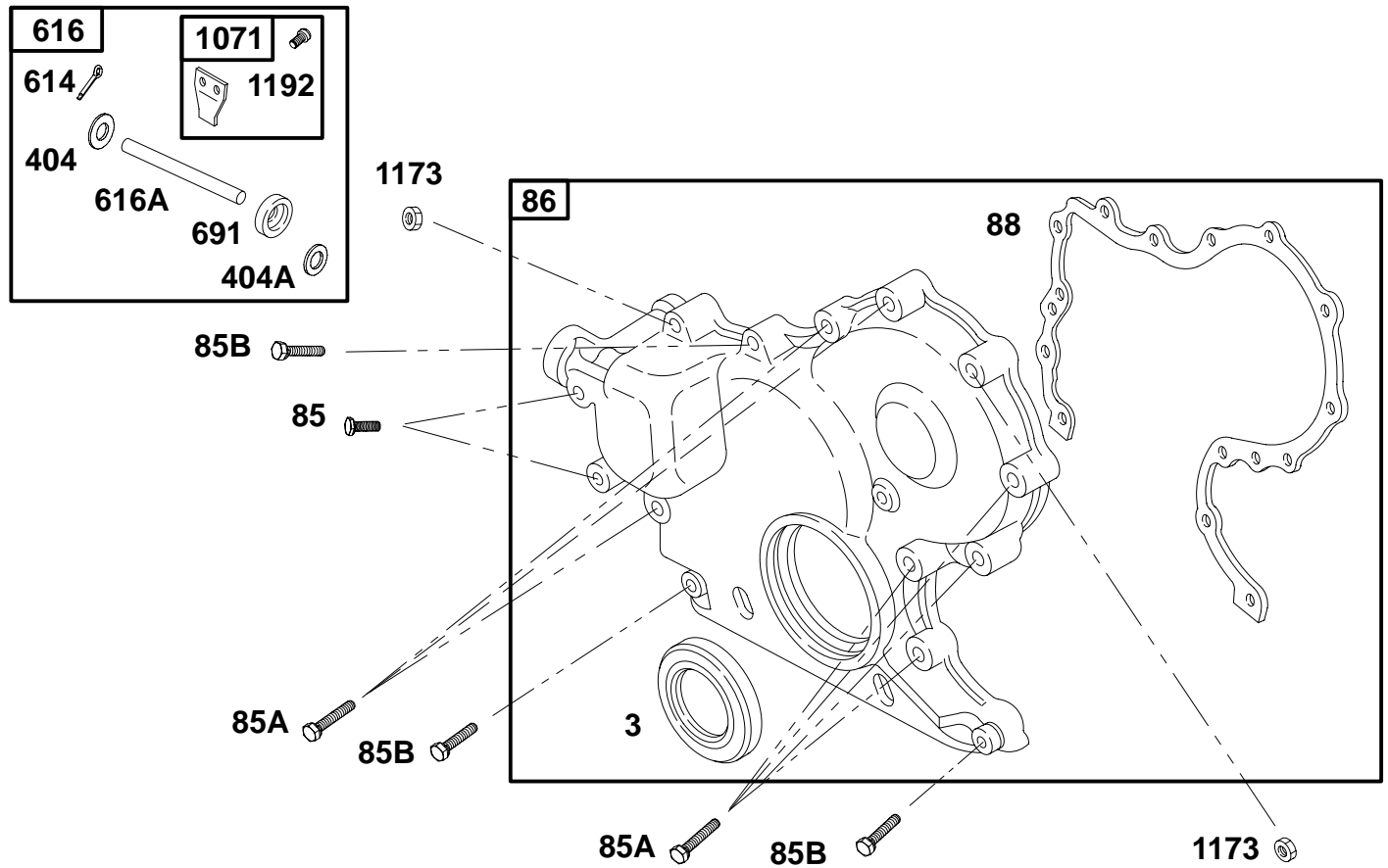


REF. NO.	PART NO.	DESCRIPTION	REF. NO.	PART NO.	DESCRIPTION	REF. NO.	PART NO.	DESCRIPTION
15	825278	Plug—Oil Drain	941	820017	Stud (Oil Pan)	1041	★820104	Gasket—Oil Pump Screen
276B	★820582	Washer—Sealing (Oil Drain Plug)	952	820068	Nut (Oil Pan)	1078	★820137	Gasket—Oil Pan
479	820034	Screw (Oil Pump Screen)	1017	825089	Screen—Oil Pump	1088	825285	Pan—Oil (Dual Drain)
848	820069	Nut (Oil Pump Screen)	1039	820034	Screw (Oil Pan)			

★ Engine Gasket Set – Reference 358

◆ Carburetor Overhaul Kit – Reference 121

△ Valve Gasket Set – Reference 1095

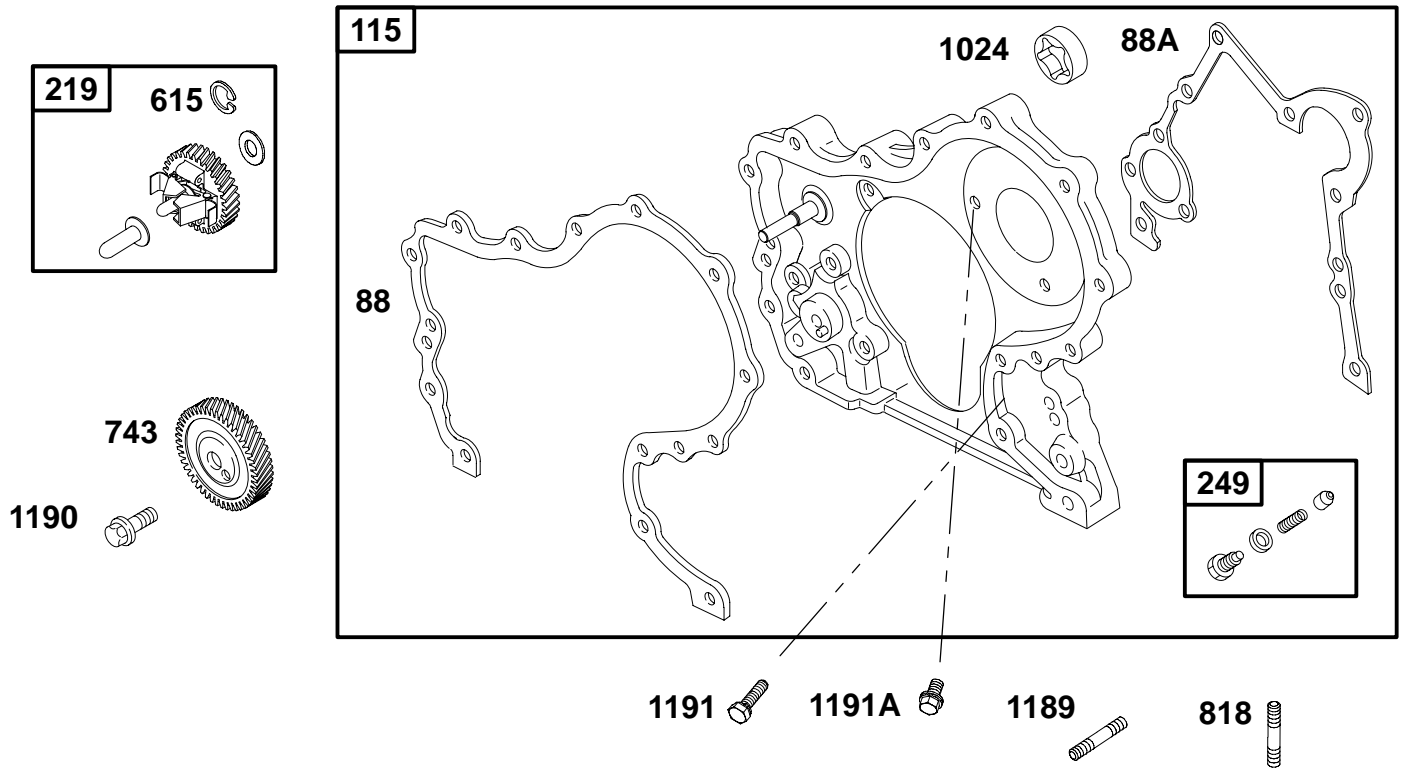


REF. NO.	PART NO.	DESCRIPTION	REF. NO.	PART NO.	DESCRIPTION	REF. NO.	PART NO.	DESCRIPTION
3	★821071	Seal-Oil (Magneto Side)	404	820167	Washer (Governor Crank)	1071	825086	Paddle-Governor
85	820026	Screw (Gear Cover to Gear Reduction Case)	404A	820169	Washer (Governor Crank)	1173	820069	Nut (Gear Cover)
85A	820029	Screw (Gear Cover to Gear Reduction Case)	614	820168	Retainer-Governor Shaft	1192	820166	Screw (Governor Paddle)
85B	820027	Screw (Gear Cover to Gear Reduction Case)	616	825087	Crank-Governor			
86	825046	Cover-Gear	616A	820165	Crank-Governor (Shaft)			
88	★820148	Gasket-Gear Reduction Cover	691	820054	Seal-Governor Shaft			

★ Engine Gasket Set – Reference 358

◆ Carburetor Overhaul Kit – Reference 121

△ Valve Gasket Set – Reference 1095

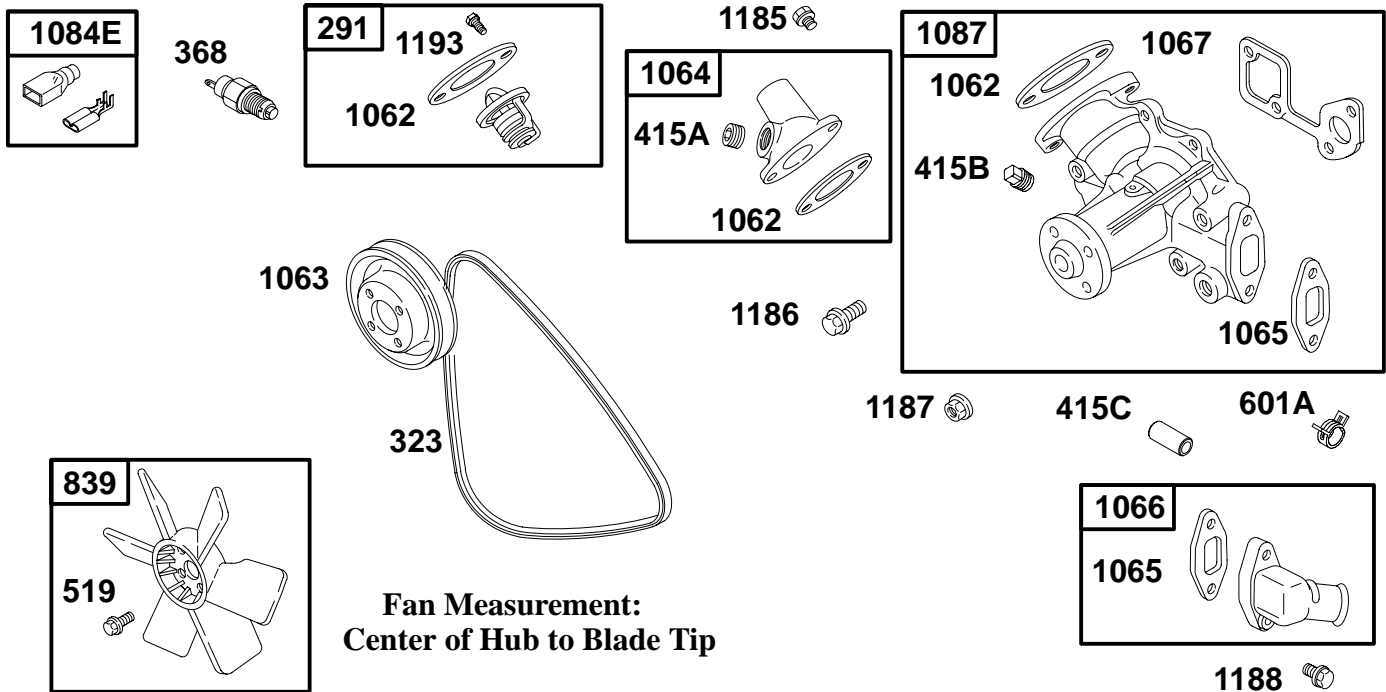


REF. NO.	PART NO.	DESCRIPTION	REF. NO.	PART NO.	DESCRIPTION	REF. NO.	PART NO.	DESCRIPTION
88	★820148	Gasket-Gear Reduction Cover	743	820615	Gear-Drive	1189	820156	Stud (Gear Housing)
88A	★820155	Gasket-Gear Reduction Cover	818	820016	Stud (Oil Pump Screen)	1190	820180	Screw (Drive Gear)
115	825059	Housing-Gear	1024		Pump-Oil (Sold in Gear Housing Only, Reference 115)	1191	820030	Screw (Gear Housing)
219	825331	Gear-Governor				1191A	820033	Screw (Gear Housing)
249	825032	Valve-Pressure Relief						
615	820163	Retainer-Governor Shaft						

★ Engine Gasket Set – Reference 358

◆ Carburetor Overhaul Kit – Reference 121

△ Valve Gasket Set – Reference 1095



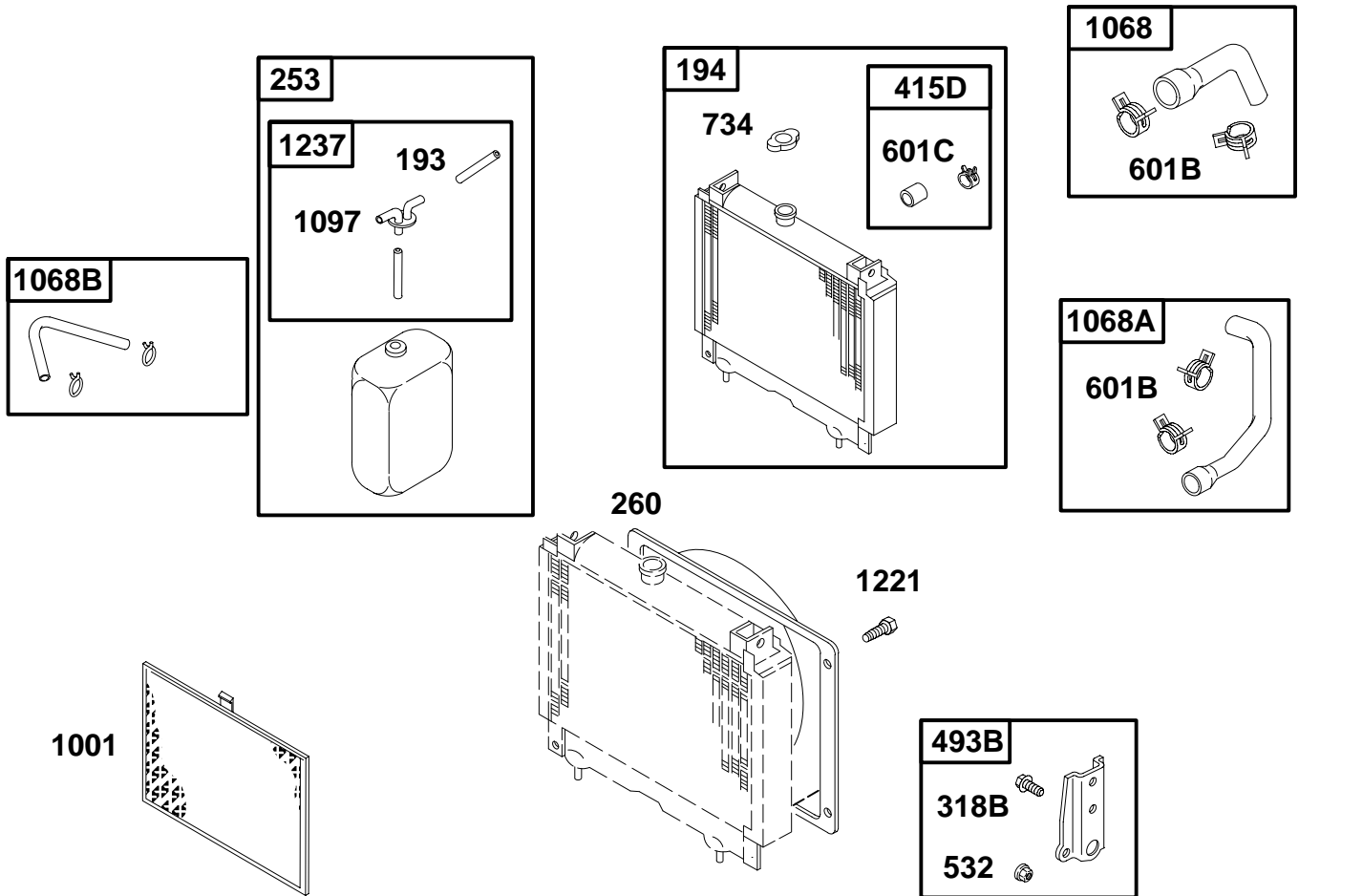
REF. NO.	PART NO.	DESCRIPTION	REF. NO.	PART NO.	DESCRIPTION	REF. NO.	PART NO.	DESCRIPTION
291	825064	Thermostat	839	825454	Fan-Radiator (320 mm Less Spacer)	1185	820031	Screw (Outlet Housing)
323	821075	Belt-Vee (940 mm)	1062	★820093	Gasket-Outlet Housing	1186	820022	Screw (Water Pump)
368	820208	Switch-Water Temperature	1063	820095	Pump-Pulley	1187	820181	Nut (Water Pump)
415A	820052	Plug	1064	825074	Housing-Outlet	1188	820031	Screw (Inlet Housing)
415B	820182	Plug	1065	★820098	Gasket-Inlet Housing	1193	820185	Screw (Thermostat)
415C	821017	Plug	1066	825051	Housing-Inlet			
519	820034	Screw (Radiator Fan)	1067	★820100	Gasket-Water Pump			
601A	821031	Clamp-Hose	1084E	825160	Connector-Terminal			
			1087	825275	Pump-Water			

★ Engine Gasket Set – Reference 358

◆ Carburetor Overhaul Kit – Reference 121

△ Valve Gasket Set – Reference 1095

589400 to 589499

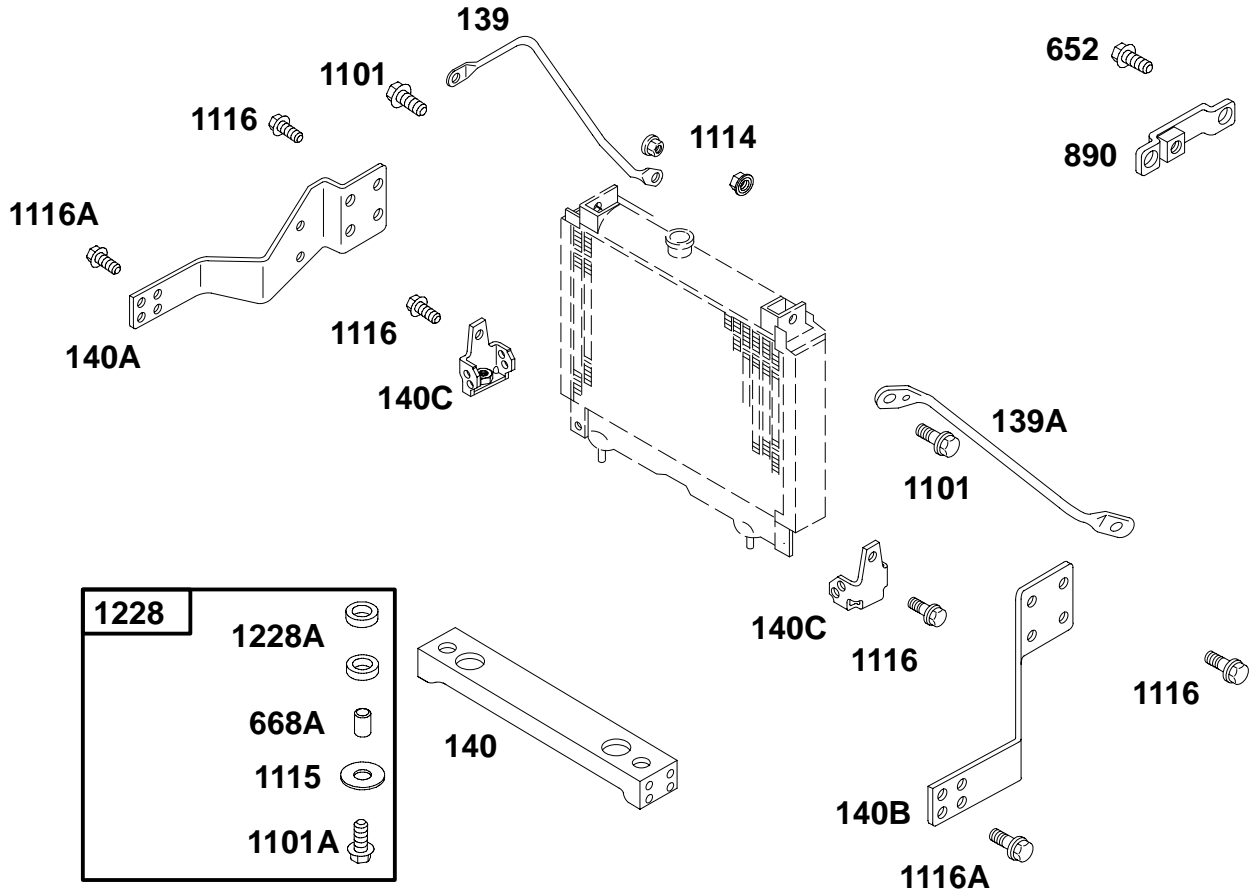


REF. NO.	PART NO.	DESCRIPTION	REF. NO.	PART NO.	DESCRIPTION	REF. NO.	PART NO.	DESCRIPTION
193	820597	Hose—Reserve Tank	415D	825075	Plug (Radiator)	1001	821047	Screen—Radiator
194	825645	Radiator Used on Type No(s). 0322.	493B	825106	Bracket—Mounting (Mounting Bracket)	1068	825557	Hose/Clamp Assembly
253	825462	Tank—Reserve	532	820011	Nut	1068A	825133	Hose/Clamp Assembly
260	821019	Shroud—Fan Used on Type No(s). 0322.	601B	820256	Clamp—Hose	1068B	825296	Hose/Clamp Assembly
318B	820034	Screw (Mounting Bracket)	601C	820201	Clamp—Hose	1097	820287	Cap—Surge Tank
			734	820258	Cap—Radiator	1221	820636	Screw (Fan Shroud)
						1237	825427	Cap/Hose—Reserve

★ Engine Gasket Set – Reference 358

◆ Carburetor Overhaul Kit – Reference 121

△ Valve Gasket Set – Reference 1095



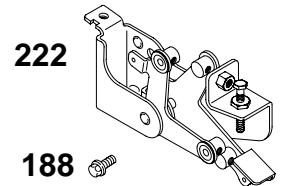
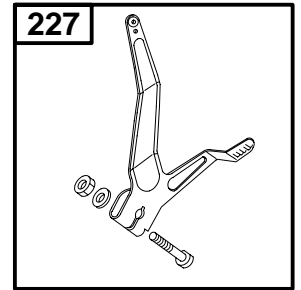
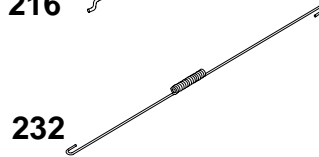
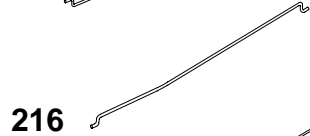
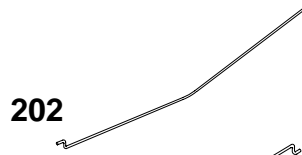
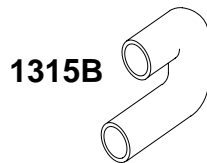
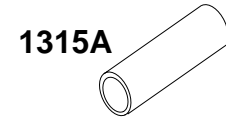
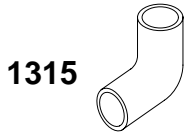
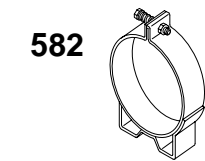
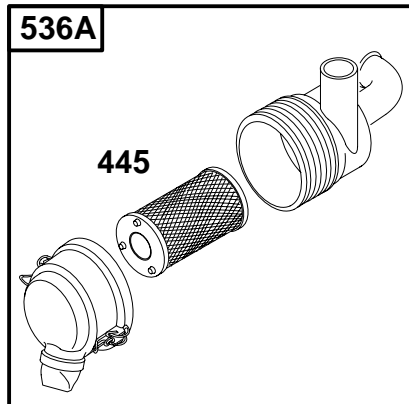
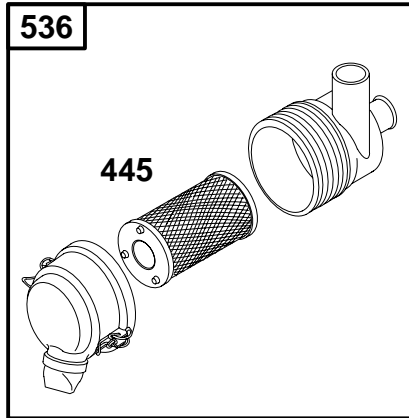
REF. NO.	PART NO.	DESCRIPTION	REF. NO.	PART NO.	DESCRIPTION	REF. NO.	PART NO.	DESCRIPTION
139	820190	Support-Radiator (Right Hand)	652	820452	Screw (Support Bracket)	1101	820272	Screw (Radiator Support)
139A	821043	Support-Radiator (Left Hand)	668A	820307	Spacer (Radiator Mount)	1101A	820309	Screw (Radiator Support)
140	820255	Bracket-Radiator (Front)	890	820194	Bracket-Support (Radiator)	1114	820070	Nut (Radiator Support)
140A	820192	Bracket-Radiator (Right Hand)				1115	820296	Washer (Radiator Support)
140B	820193	Bracket-Radiator (Left Hand)				1116	820023	Screw (Radiator Bracket)
140C	821039	Bracket-Radiator				1116A	820174	Screw (Radiator Bracket)
						1228	825135	Mount-Radiator
						1228A	820198	Mount-Radiator

★ Engine Gasket Set – Reference 358

◆ Carburetor Overhaul Kit – Reference 121

△ Valve Gasket Set – Reference 1095

589400 to 589499

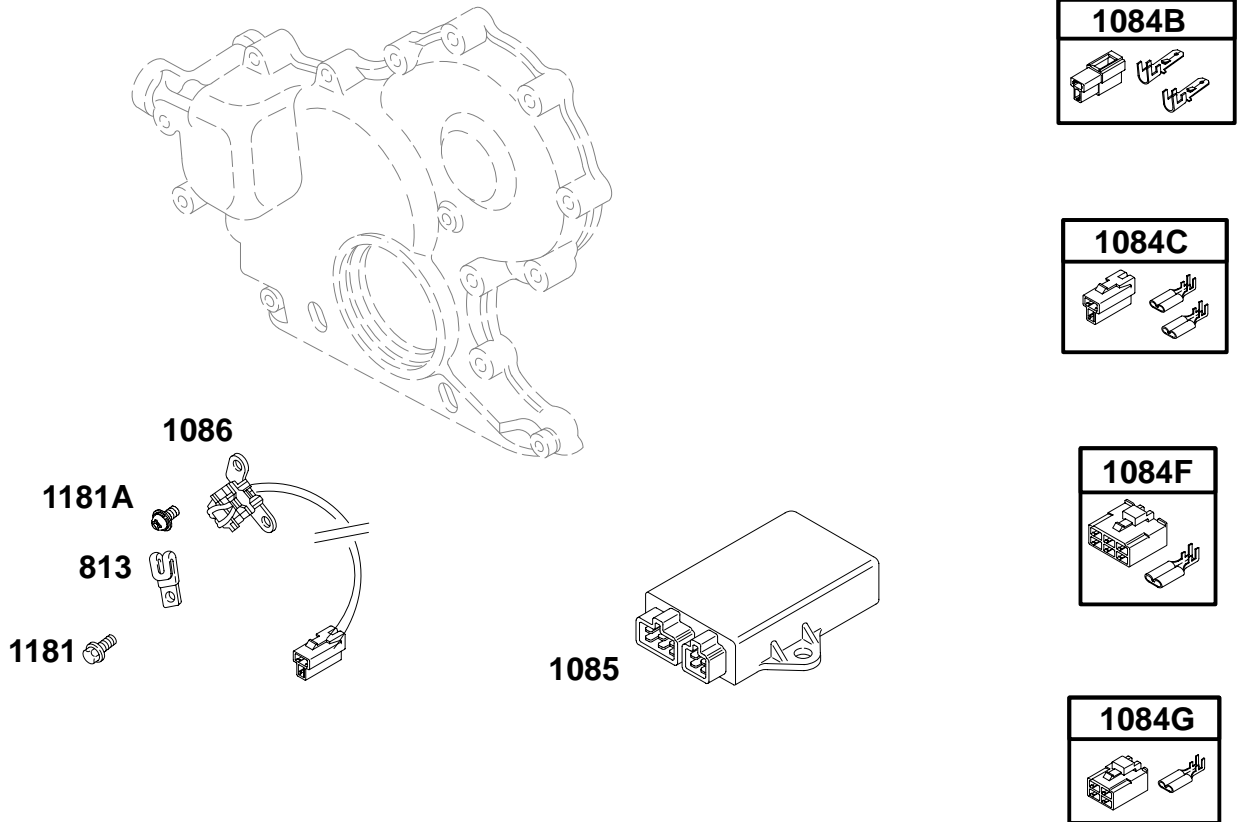


REF. NO.	PART NO.	DESCRIPTION	REF. NO.	PART NO.	DESCRIPTION	REF. NO.	PART NO.	DESCRIPTION
188	820174	Screw (Control Bracket)	232	820172	Spring-Governor Link	582	820230	Clamp-Air Cleaner
202	820171	Link-Mechanical Governor	265	691024	Clamp-Casing	940	692083	Screw (Casing Clamp)
209	821054	Spring-Governor (Yellow, 32 Coil)	445	820263	Filter-Air Cleaner Cartridge	1315	820554	Hose-Air Cleaner
216	820173	Link-Choke	536	825117	Cleaner-Air (With Vacuum Adaptor)	1315A	820555	Hose-Air Cleaner
222	825062	Bracket-Control	536A	825118	Cleaner-Air (90 Degree Elbow With Vacuum Adaptor)	1315B	820556	Hose-Air Cleaner
227	825061	Lever-Governor Control						

★ Engine Gasket Set – Reference 358

◆ Carburetor Overhaul Kit – Reference 121

△ Valve Gasket Set – Reference 1095



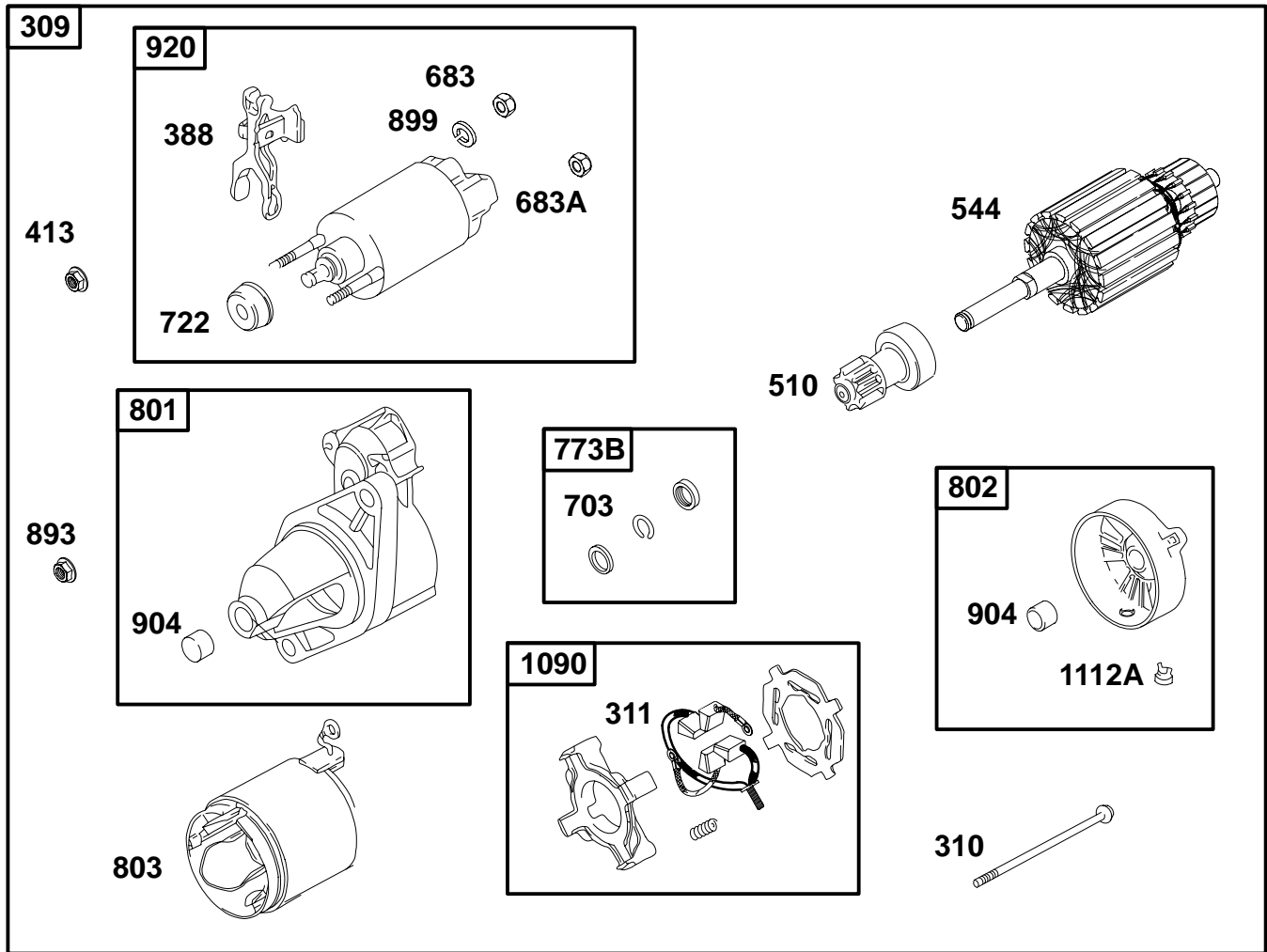
REF. NO.	PART NO.	DESCRIPTION	REF. NO.	PART NO.	DESCRIPTION	REF. NO.	PART NO.	DESCRIPTION
813	820047	Clamp	1084B	825156	Connector-Terminal	1085	825548	Module-Ignition
			1084C	825157	Connector-Terminal	1086	825009	Trigger-Ignition
			1084F	825162	Connector-Terminal (Ignition Module)	1181	820029	Screw (Ignition Trigger)
			1084G	825163	Connector-Terminal (Ignition Module)	1181A	820013	Screw (Ignition Trigger)

★ Engine Gasket Set – Reference 358

◆ Carburetor Overhaul Kit – Reference 121

△ Valve Gasket Set – Reference 1095

0.8 KW RED LABEL



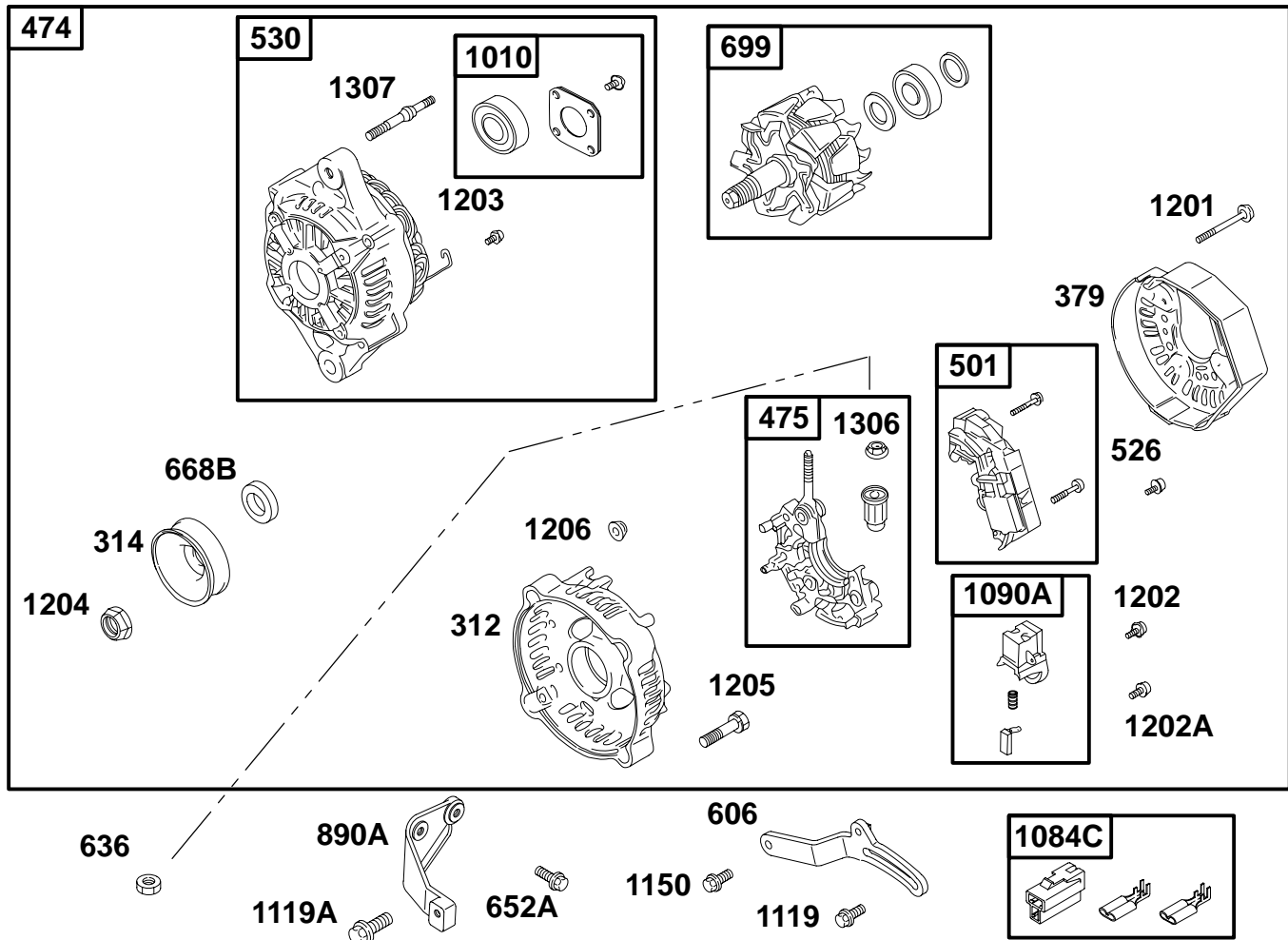
REF. NO.	PART NO.	DESCRIPTION	REF. NO.	PART NO.	DESCRIPTION	REF. NO.	PART NO.	DESCRIPTION
309	825095	Motor-Starter (0.8 KW)	683	820813	Nut (Starter Solenoid) (Terminal)	893	820805	Nut (Starter Solenoid)
310	820807	Bolt (Starter Motor)	683A	820809	Nut (Starter Solenoid) (Terminal)	899	820811	Washer (Starter Solenoid) (Terminal)
311	825411	Brush Set	703	820803	Clip	904	820793	Bearing-Needle (Starter Solenoid)
388	820799	Lever-Pinion Drive	722	820801	Seal-Plunger	920	825418	Solenoid-Starter
413	820067	Nut (Starter Motor)	773B	825420	Retainer	1090	825412	Retainer-Brush
510	820789	Drive-Starter	801	820791	Cap-Drive	1112A	820797	Plug-Vent
544	825414	Armature-Starter	802	825416	Cap-End			
			803	820783	Housing-Starter			

★ Engine Gasket Set – Reference 358

◆ Carburetor Overhaul Kit – Reference 121

△ Valve Gasket Set – Reference 1095

40 AMP



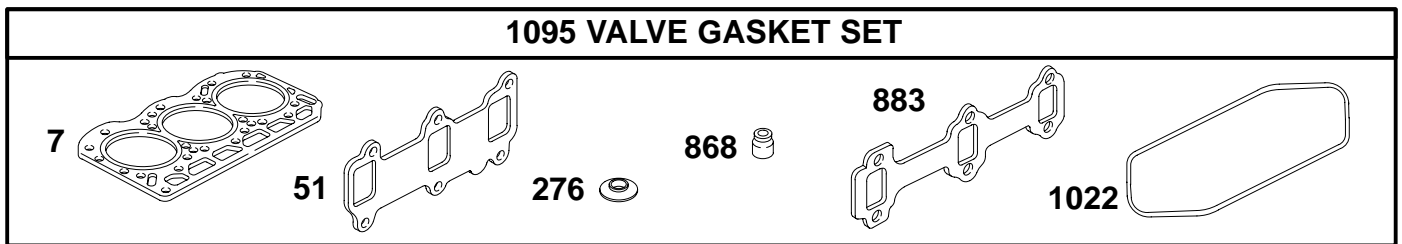
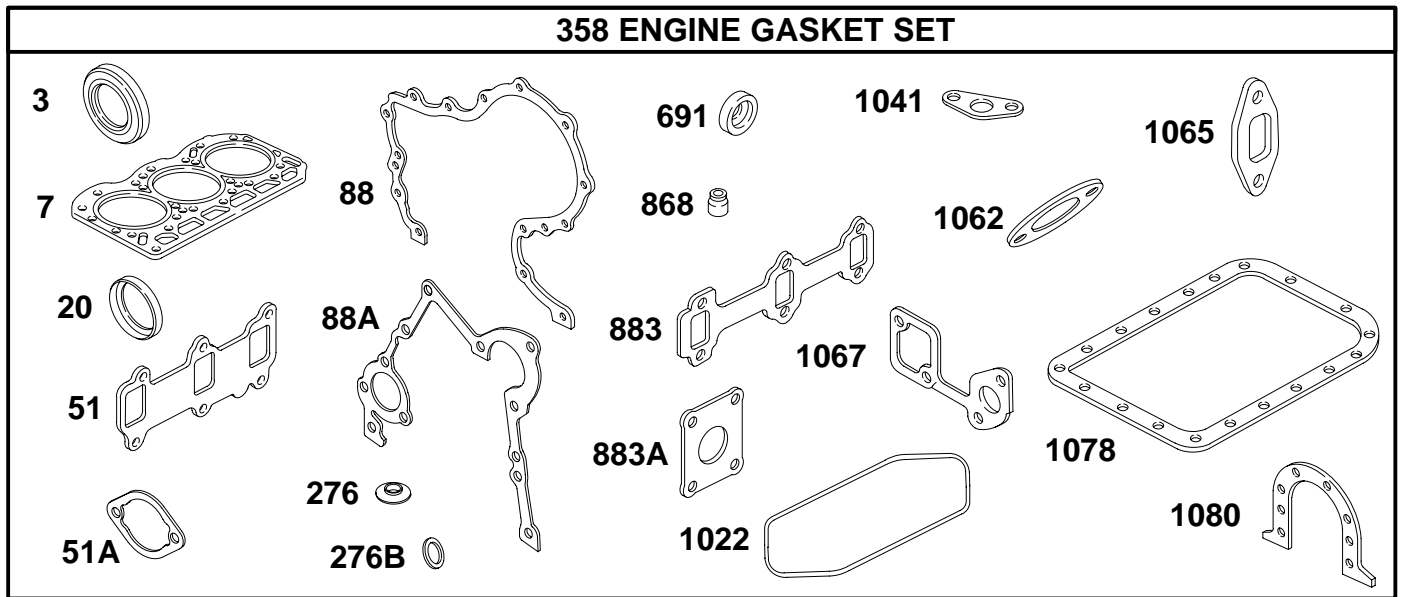
REF. NO.	PART NO.	DESCRIPTION	REF. NO.	PART NO.	DESCRIPTION	REF. NO.	PART NO.	DESCRIPTION
312	820692	Housing-Brush End	668B	820713	Spacer (Alternator)	1201	820715	Screw (Brush Cover)
314	820711	Pulley-Alternator	699	825390	Rotor Assembly	1202	820701	Screw (Brush Retainer)
379	820703	Cover-Brush	890A	820213	Bracket-Support	1202A	820702	Screw (Brush Retainer)
474	825084	Alternator (40 Amp)	1010	825384	Retainer-Bearing	1203	820702	Screw (Ground Terminal)
475	825385	Rectifier	1084C	825157	Connector-Terminal	1204	820705	Nut (Alternator Pulley)
501	825388	Regulator	1090A	825387	Retainer-Brush	1205	820707	Screw (Brush End Housing)
526	820702	Screw (Regulator)	1119	820483	Screw (Alternator)	1206	820709	Nut (Brush End Housing)
530	825383	Housing-Drive End	119A	820270	Screw (Alternator)	1306	820781	Nut (Rectifier)
606	820819	Strap-Adjusting	1150	820023	Screw (Adjusting Strap)	1307	820690	Stud (Drive End Housing)
636	820069	Nut (Starting Switch)						
652A	820275	Screw (Support Bracket)						

★ Engine Gasket Set – Reference 358

◆ Carburetor Overhaul Kit – Reference 121

△ Valve Gasket Set – Reference 1095

589400 to 589499

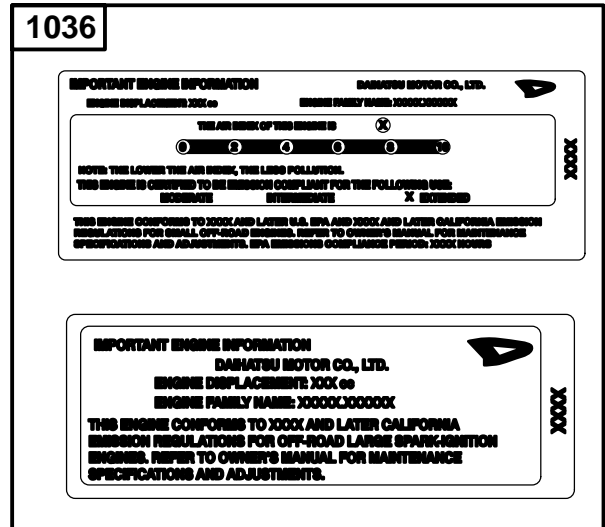
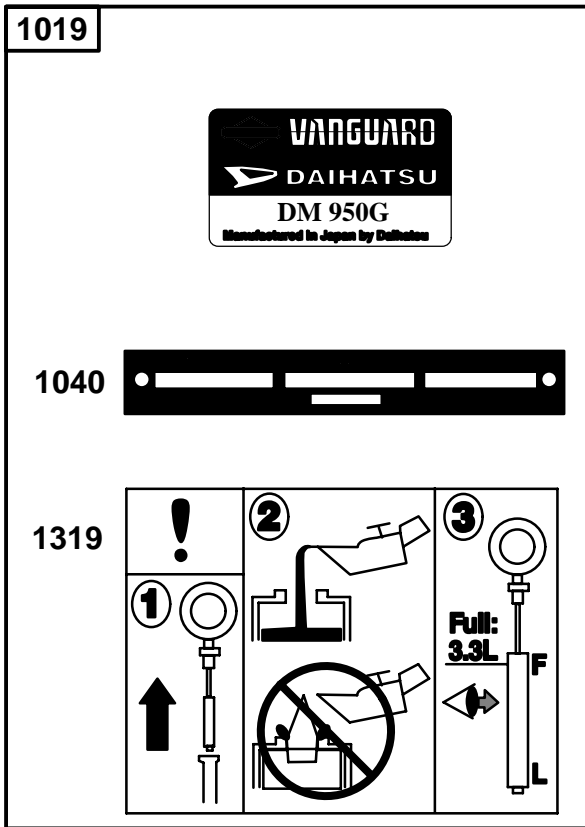


REF. NO.	PART NO.	DESCRIPTION	REF. NO.	PART NO.	DESCRIPTION	REF. NO.	PART NO.	DESCRIPTION
3	★821071	Seal—Oil (Magneto Side)	276	★Δ820064	Washer—Sealing (Rocker Cover)	1022	★Δ820150	Gasket—Rocker Cover
7	★Δ820648	Gasket—Cylinder Head	276B	★820582	Washer—Sealing (Oil Drain Plug)	1041	★820104	Gasket—Oil Pump Screen
20	★821073	Seal—Oil (PTO Side)	358	825378	Gasket Set—Engine	1062	★820093	Gasket—Outlet Housing
51	★Δ820087	Gasket—Intake	691	★820054	Seal—Governor Shaft	1065	★820098	Gasket—Inlet Housing
51A	★◆820385	Gasket—Intake	868	★Δ820041	Seal—Valve	1067	★820100	Gasket—Water Pump
88	★820148	Gasket—Gear Reduction Cover	883	★Δ820817	Gasket—Exhaust (Manifold)	1078	★820137	Gasket—Oil Pan
88A	★820155	Gasket—Gear Reduction Cover	883A	★821001	Gasket—Exhaust (Muffler)	1080	★820145	Gasket—Seal Retainer
						1095	825379	Gasket Set—Valve

★ Engine Gasket Set – Reference 358

◆ Carburetor Overhaul Kit – Reference 121

Δ Valve Gasket Set – Reference 1095



REF. NO.	PART NO.	DESCRIPTION	REF. NO.	PART NO.	DESCRIPTION	REF. NO.	PART NO.	DESCRIPTION
1019	825652	Kit-Label	1040	820290	Plate-Trim	1319	820891	Label-Warning
1036	825621	Label-Emissions	1058	275666	Operator's Manual	1330	MS0750	Repair Manual

★ Engine Gasket Set – Reference 358

◆ Carburetor Overhaul Kit – Reference 121

△ Valve Gasket Set – Reference 1095