

Illustrated Parts List

Model Series

60100 to 60199

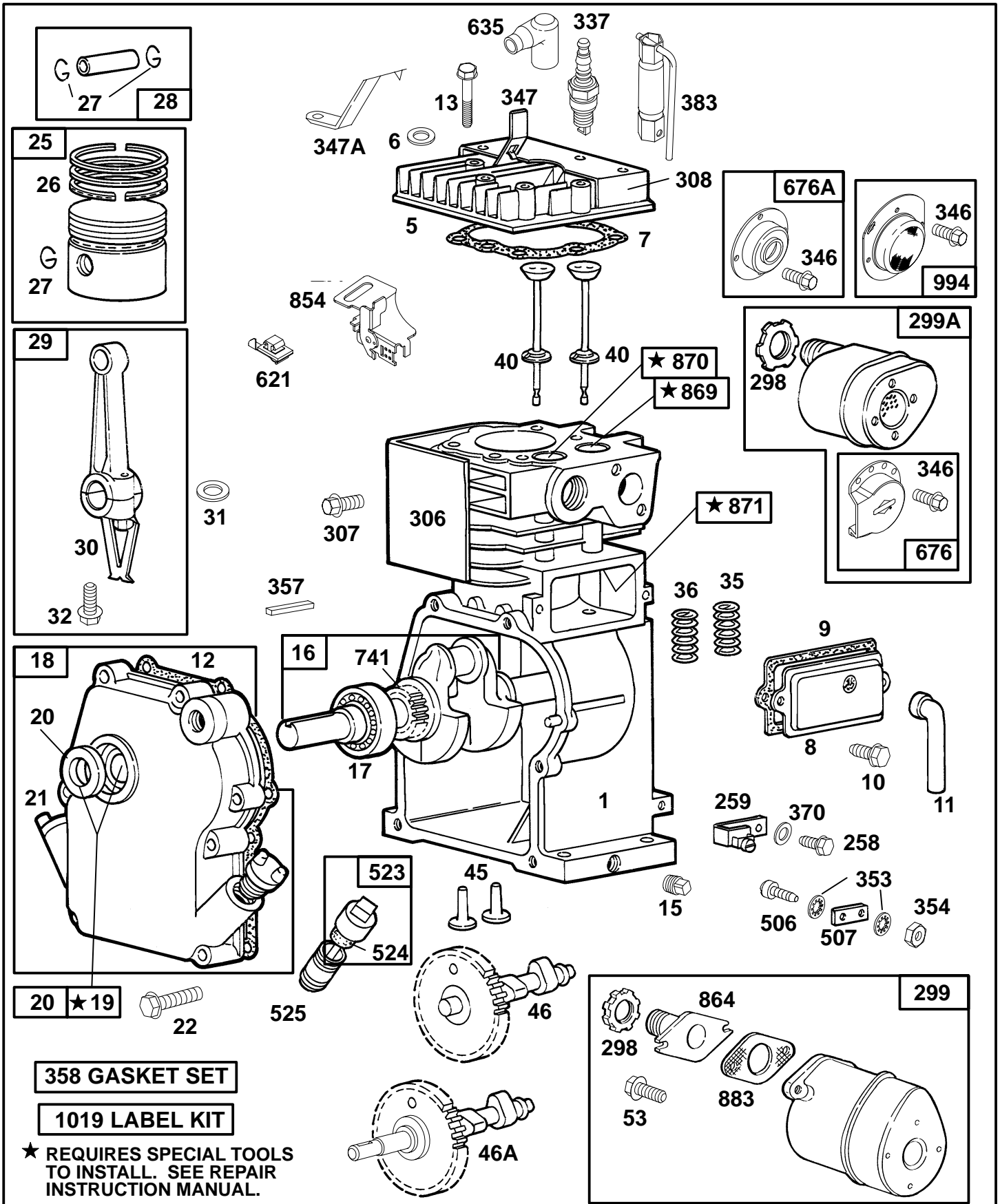
TYPE NUMBERS
1015, 1016, 1111,
1130 through 1222
1300 through 1310
4001 through 4010
4015, 4016.

TO FIND
THE CORRECT NUMBER OF THE PART YOU NEED:
FOLLOW THE INSTRUCTIONS BELOW

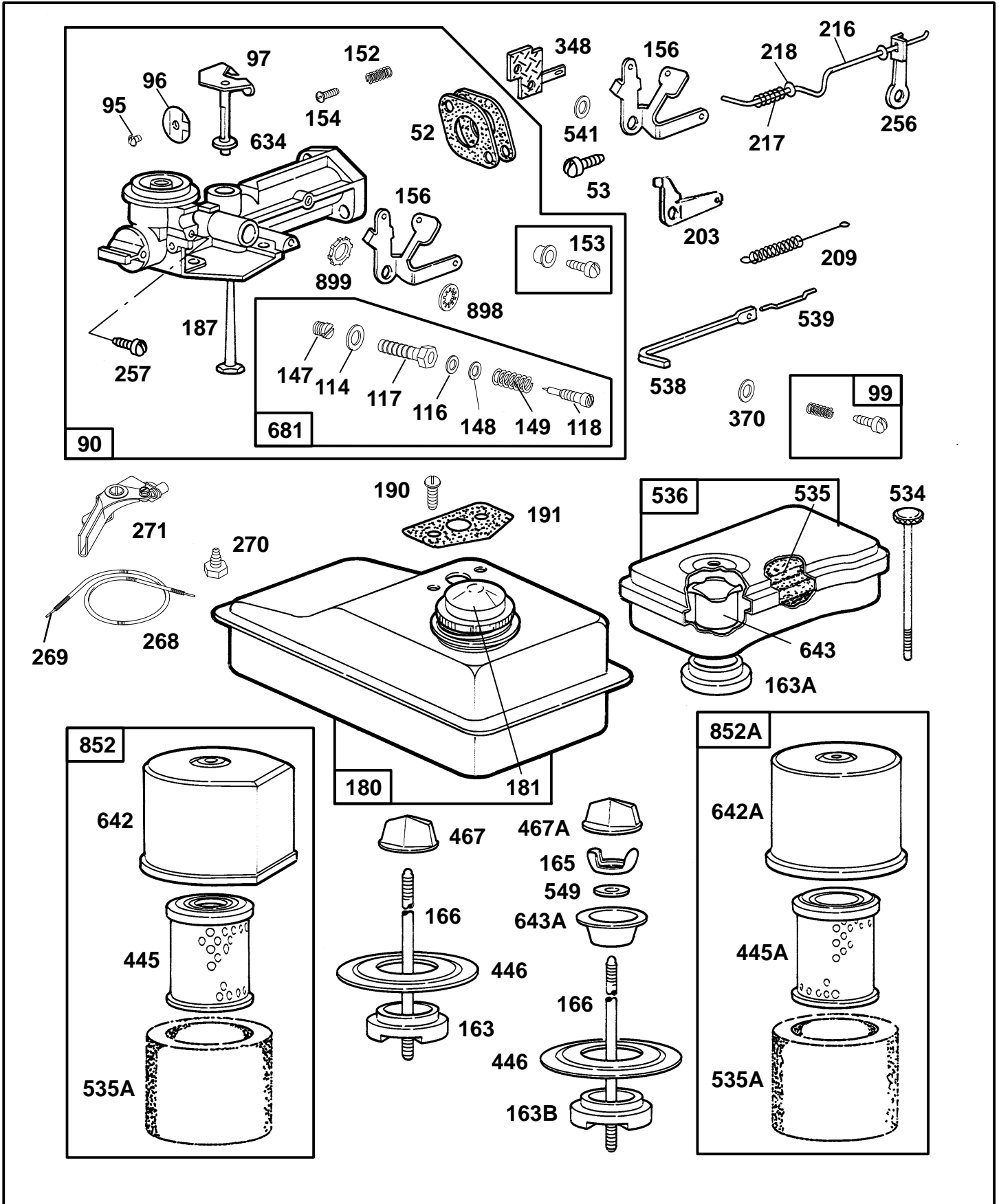
- A. Refer to Engine Model, Type and Code Number that is stamped on the blower housing of engine. Engine type numbers such as 0123 01 are listed only as 0123 in most instances. The two digits (01 or 02, etc.) to the right of the space may be required for more accurate parts identification in some instances. Select the Illustrated Parts List covering the correct Model Series and Type Number.
- B. Refer to the Illustrations and compare the original part with Illustration. The number next to the illustration is the Reference Number. Assemblies include all parts shown in frames. All parts shown in assembly frames having individual reference numbers can be purchased separately.
- C. After the Reference Number has been identified, refer to the Numerical text, where Reference and Primary Part Number are listed. **THE PRIMARY PART IS USED ON ALL TYPE NUMBERS EXCEPT THOSE TYPE NUMBERS UNDER "NOTE."**
- D. If a "Note" appears below the Primary Part Number, it means that this part differs from the Primary Part for certain types. If your Type number is listed under "Note," order the part referred to at the "Note."
- E. If your Engine Type Number does not appear after any part number listed under "Note," use the Primary Part Number.
- F. For Engine Type Numbers not covered by this book, check other Parts Lists having the same engine model or contact your source of supply.



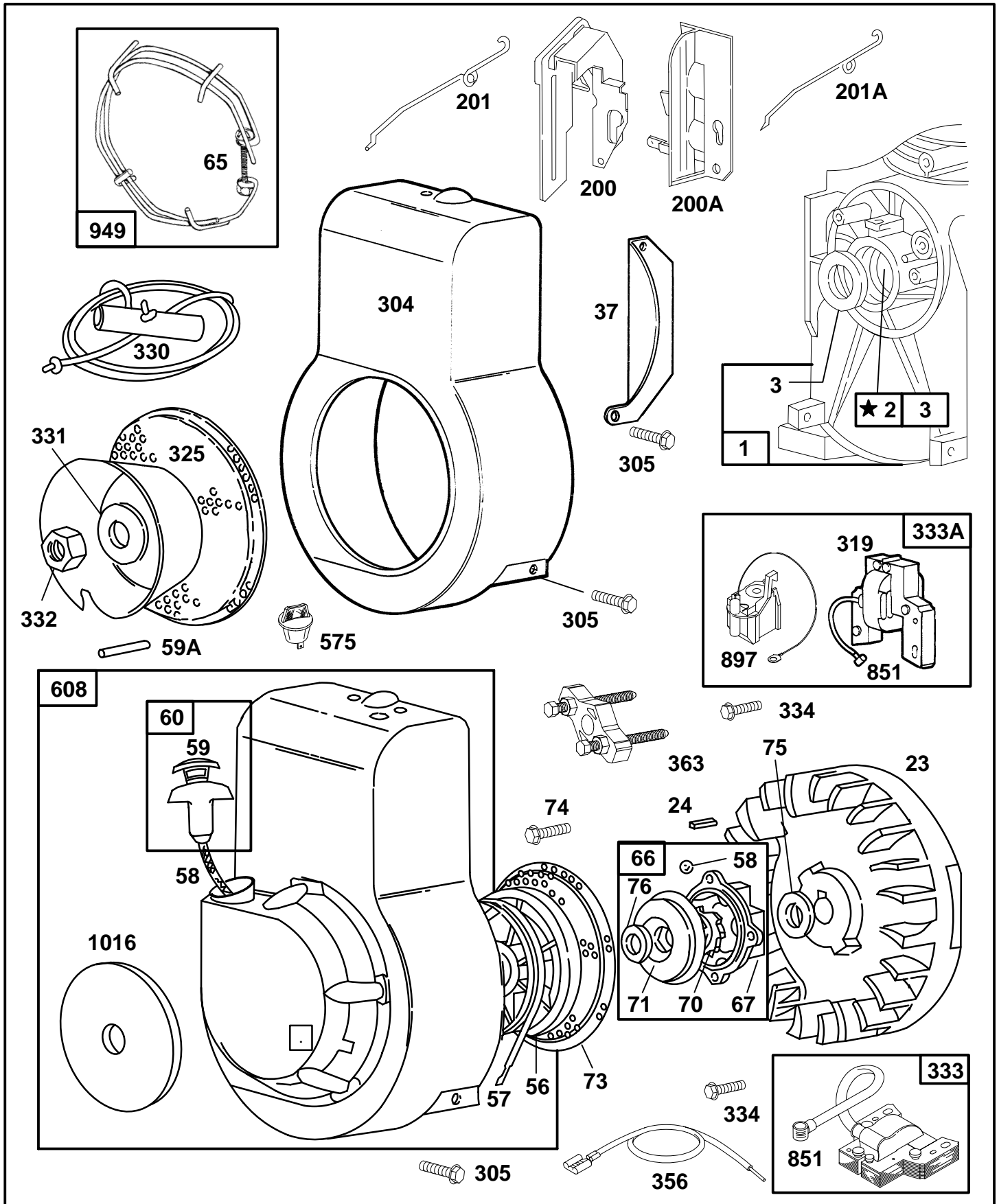
60100 to 60199



60100 to 60199



60100 to 60199



60100 to 60199

REF. NO.	PART NO.	DESCRIPTION	REF. NO.	PART NO.	DESCRIPTION	REF. NO.	PART NO.	DESCRIPTION
1	395879	Cylinder Assembly		492100	Crankshaft		392838	Oil Seal and Spacer
2	293708	Bushing—Cylinder			Used on Type Nos.			Used on Model 60112
3	★299819	Seal—Oil			1130, 1140, 1141,			Series Engines Except
5	210812	Head—Cylinder			1142, 1143, 1144,			as Listed Below.
6	22963	Washer—Flat			1165, 1166, 1167,			392986 Oil Seal and
7	★272167	Gasket—Cylinder Hd.			1168, 1169, 1171,			Spacer
8	294178	Breather—Valve Chamber			1173, 1179, 1182,			Used on Type Nos.
9	★27549	Gasket—Valve Cover			1187, 1304, 1305,			1180, 1196, 1207,
10	94688	Screw—Breather Mtg.	17	99158	Bearing—Ball			4008.
11	66638	Tube—Breather	18	394820	Cover Assembly—Crankcase	21	66768	Plug—Oil Filler
12	★270833	Gasket—Crankcase (.015" Thick, Standard)			Note: 394909 Cover Assy.—Crankcase	22	93032	Screw—Crankcase Cover Mounting Sem
	★270895	Gasket—Crankcase (.005" Thick)			Used on Model 60111 and 60112			Note: 92747 Screw—Crkcase. Cover Mtg.
	★270896	Gasket—Crankcase (.009" Thick)			Series Engines.			Used on Two Top Holes to Mount Cover on Model 60111 and 60112
13	94547	Screw—Cylinder Hd.			394879 Cover Assy.—Crankcase			Series Engines.
	Note: 93583	Stud—Cyl. Hd.			Used on Model 60192			93656 Stud
	22963	Washer			Series Engines.			90832 Washer—Lock
		Used on Type Nos.			395259 Cover Assy.—Crankcase			Used on Type Nos.
		1135, 1151, 1162,			Used on Model 60132			1140, 1146, 1161,
		1164, 1183, 1185,			Series Engines.			1165, 1189, 1190,
		1189, 1192, 1194,			394879 Bushing—Crankcase			1198, 1204, 1205,
		1198, 1204, 1213,			Cover Assembly			1212, 1307, 1310,
		1214, 1300, 1303,	19	293708	Includes:			4015, 4016.
		4003, 4007, 4010,			220538 Bushing	23	296884	Flywheel—Magneto
		4015, 4016.			Note: Bushings Require Special Tools For Installation.			Note: 395653 Flywheel—Magneto
15	91249	Plug—Pipe, 1/4" Std., Square Head			294499 Bushing—Crankcase			Used on Type No. 1156.
	Note: 93448	Plug—Oil Drain (Socket Head)			Cover Assy.	24	222698	Key—Flywheel
					Includes:	25	295587	Piston Assy. (Standard)
16	494136	Crankshaft			220538 Bushing			295588 Piston Assy. (.010" O.S.)
	Note: To Replace Crankshaft Gear Pin				Used on Model 60112			295589 Piston Assy. (.020" O.S.)
		Order Part Number			Series Engines.			295590 Piston Assy. (.030" O.S.)
		230978.	20	★299819	Seal—Oil			
		260103 Crankshaft			Note: 393812 Seal—Oil			RING SETS:
		Used on Type Nos.			Used on Model 60132			Note: For Chrome Piston Ring Set (Standard Size) Order Part No. 297201.
		1139, 1151, 1156,			Series Engines.			
		1201, 4005.			391484 Seal—Oil			
		260664 Crankshaft			Used on the Auxiliary P.T.O. Shaft on Model 60192			
		Used on Type Nos.			Series Engines.			
		1138, 1174, 1184,						
		1193, 1219, 4006.						
		261410 Crankshaft						
		Used on Type Nos.						
		1146, 1195, 1221,						
		1306, 1308.						

★ Included in Gasket Set—Part No. 397144.

60100 to 60199

REF. NO.	PART NO.	DESCRIPTION	REF. NO.	PART NO.	DESCRIPTION	REF. NO.	PART NO.	DESCRIPTION
26	294232	Ring Set–Piston (Standard)	73	221661	Screen–Rotating			295683 Carburetor Assy.
	294224	Ring Set–Piston (.010" O.S.)	74	93490	Screw–Rotating Screen Mounting Sem			(Used Before Code Date 92101200).
	294225	Ring Set–Piston (.020" O.S.)	75	223047	Washer–Spring (Used to Lock Rewind Starter Clutch)			(Choke-A-Matic®) (Uses 221147 Ref. 203 Bell Crank)
	294226	Ring Set–Piston (.030" O.S.)	76	68238	Washer–Ratchet Sealing (Not Used With Rubber Coated Style Clutch)			Used on Type Nos. 1308, 1310.
27	26026	Lock–Piston Pin				95	93499	Screw–Throttle Valve Mounting Sem
28	298909	Pin Assembly– Piston (Standard)	90	495821	Carburetor Assembly (Used After Code Date 92101100).	96	211286	Valve–Throttle
	298908	Pin Assembly– Piston (.005" O.S.)			393974 Carburetor Assy. (Used Before Code Date 92101200).	97	392819	Shaft and Lever– Throttle
29	294300	Rod Assy.–Connecting			(Uses 222955 Ref. 156 Lever)	99	393586	Spring Assembly
30	220459	Dipper–Connecting Rod				114	65787	Gasket–Needle Valve
31	222282	Washer–Connecting Rod Screw				116	65978	Packing–Needle Valve
32	94404	Screw–Connecting Rod				117	23431	Nut–Needle Valve
33	296676	Valve–Exhaust			Note: 495833 Carburetor Assembly (Used After Code Date 92101100).	118	23433	Valve–Needle
34	296677	Valve–Intake				147	23432	Seat–Needle Valve
35	260552	Spring–Valve				148	22235	Washer–Needle Valve
37	220971	Guard–Flywheel				149	26336	Spring–Needle Valve
40	93312	Retainer–Valve Spring				152	260575	Spring–Speed and Throttle Adjustment
45	230173	Tappet–Valve			295492 Carburetor Assy. (Used Before Code Date 92101200).	153	298031	Screw–Carburetor Lever
46	491676	Gear–Cam			(Choke-A-Matic®) (Uses 220952 Ref. 256 Lever)			Note: 93177 Screw–Bell Crank
46A	211337	Gear–Cam (Auxiliary Drive)						230531 Collar–Bell Crank
52	*27355	Gasket–Intake Elbow (2 Used)			Used on Type Nos. 1016, 1130, 1132, 1133, 1135, 1141, 1142, 1145, 1155, 1159, 1160, 1162, 1166, 1167, 1168, 1175, 1179, 1183, 1185, 1192, 1194, 1195, 1200, 1203, 1204, 1209, 1211, 1216, 1217, 1219, 1220, 1221, 1300, 1303, 1304, 1305, 1306, 4003, 4016.			220982 Washer Used on Type Nos. 1308, 1310.
53	93357	Screw–Carb. Mounting				154	93527	Screw–Machine, Rd. Hd.
53A	94523	Screw–Exhaust				156	222955	Lever–Speed Adjuster
56	280439	Pulley–Rewind Starter				163	271755	Gasket–Air Cleaner Mounting
57	490179	Spring–Rewind Starter				163A	27660	Gasket–Air Cleaner
58	66734	Rope–Starter (48–5/8" Long)				163B	270488	Gasket–Air Cleaner
	Note:	If Longer Rope is Needed, Order No. 280399 and Cut to Required Length.				165	93856	Nut–Wing
59	396892	Insert–Starter Grip				166	231398	Stud–Air Cleaner (Used After Code Date 83112600).
59A	230228	Pin–Starter Grip						Note: 231176 Stud– Air Cleaner (Used Before Code Date 83112700).
60	393152	Grip–Starter Rope						
65	94124	Screw–Guard Retaining						
66	399671	Clutch Assembly– Rewind Starter						
67	394897	Housing–Starter Clutch			495834 Carburetor Assembly (Used After Code Date 92101100).			
68	63770	Ball–Clutch						
70	298799	Ratchet–Rewind Starter						
71	394506	Washer–Clutch Retainer						

* Included in Gasket Set–Part No. 397144.

60100 to 60199

REF. NO.	PART NO.	DESCRIPTION	REF. NO.	PART NO.	DESCRIPTION	REF. NO.	PART NO.	DESCRIPTION
180	399390	Tank Assembly—Fuel Note: 399391 Tank Assy.—Fuel Used on Type Nos. 1181, 1228.		261658	Spring—Governor Used on Type Nos. 1132, 1155, 1200, 1203, 1209, 1216.	304	294263	Housing—Blower (For Rope Starter)
181	298425	Cap—Fuel Tank Note: 394818 Cap—Fuel Tank Used on Type Nos. 1143, 1171. 396855 Cap—Fuel Tank Used on Type Nos. 1181, 1202.	216	260188	Link—Choke (Choke-A-Matic®)	305	93158	Screw—Sem
187	296476	Pipe—Fuel	217	260189	Spring—Choke Link (Choke-A-Matic®)	306	224377	Shield—Cylinder (Used After Code Date 89102200). Note: 220478 Shield—Cylinder (Used Before Code Date 89102300).
190	93440	Screw—Fuel Tank Mtg.	218	220968	Washer—Choke Link (Choke-A-Matic®)	307	93758	Screw—Cylinder Shield Mounting
191	★27404	Gasket—Fuel Tank Mtg.	256	220952	Lever—Speed Adjuster	308	223390	Cover—Cylinder Head
200	490529	Blade—Governor	257	93543	Screw—Machine, Fil. Hd.	319	395488	Armature Assy. (Less Trigger Coil)
200A	490529	Blade—Governor	258	93062	Screw—Sem	325	298731	Pulley—Rope Starter
201	262042	Link—Governor Links Listed Under Ref. 201 are Used With Ref. 200 Governor Blade.	259	294502	Bracket—Control Wire Casing	330	395022	Rope—Starter
201A	261662	Link—Governor Links Listed Under Ref. 201A are Used With Ref. 200A Governor Blade.	268	66986	Casing—Control Wire (48" Long) Note: If Longer Casing is Needed, Specify Length in Inches; if a Shorter Casing is Needed, Order No. 66986 and Cut to Required Length.	331	223047	Washer
203	221147	Crank—Bell	269	26099	Wire Control (54" Long) Note: If Longer Wire is Needed, Specify Length in Inches; if Shorter Wire is Needed, Order No. 26099 and Cut to Required Length.	332	92284	Nut—Hex.
209	260041	Spring—Governor Note: 260623 Spring—Governor Used on Type Nos. 1219, 1300, 1310. 260662 Spring—Governor Used on Type Nos. 1016, 1160, 1162, 1166, 1167, 1168, 1175, 1192, 1217, 1220, 1303, 1304, 4003, 4016. 260687 Spring—Governor Used on Type Nos. 1130, 1133, 1141, 1142, 1144, 1145, 1179, 1183, 1194, 1204, 1211.	270	63426	Locknut—Control Wire Casing	333	398593	Armature—Magneto
			271	290568	Lever Assembly—Control	333A	398593	Armature—Group
			298	220859	Locknut—Muffler	334	93381	Screw—Armature Mounting Sem
			299	493288	Muffler—Exhaust	337	298809	Plug—Spark (1–1/2" High, 38 mm) Note: 29693 Plug—Spark (With Gasket) (2" High, 51 mm) 293918 Plug—Spark 1–1/2" High, 38 mm (Resistor Type) 492167 Plug Spark (1–7/8" High, 48 mm) 802592 Plug Spark 1–7/8" High, 48 mm (Resistor Type)
			299A	392811	Muffler—Exhaust Note: 398701 Guard—Muffler Uses: 94186 Screw—Hex. Head (Guard to Muffler) 93873 Screw—Hex. Head (Guard to Bracket) 222361 Bracket Used on Type No. 1181.	346	93705	Screw—Sem
						347	220884	Switch—Stop (For 1–1/2" High, 38 mm Spark Plug) Note: 221808 Switch—Stop (For 1–7/8" High, 48 mm Spark Plug)
						347A	298926	Switch—Stop (For 1–1/2" High, 38 mm Spark Plug) Note: 293739 Switch—Stop (For 1–7/8" High, 48 mm Spark Plug)
						348	296110	Plate Assembly—Stop Switch Insulator
						353	92791	Washer—Lock

★ Included in Gasket Set—Part No. 397144.

60100 to 60199

REF. NO.	PART NO.	DESCRIPTION	REF. NO.	PART NO.	DESCRIPTION	REF. NO.	PART NO.	DESCRIPTION
354	90576	Nut–Hex.	608	398034	Starter Assy.–Rewind (10 o'clock)	676	393760	Deflector–Exhaust
356	398808	Wire–Ground				676A	397931	Deflector–Exhaust
	Note:	396585 Wire–Ground (Dual Wire) (Cut to Suit) Used With Armature Ref. 333A Only on Type Nos. 1015, 1163.		Note:	295815 Starter Assy.–Rewind (3 o'clock) Used on Type No. 1177.	681	299060	Needle Valve Kit (Used After Code Date 92101100).
		398874 Wire–Ground Used on Type Nos. 1196, 1207.			398035 Starter Assy.–Rewind (12 o'clock) Used on Type Nos. 1015, 1016, 1130, 1135, 1137, 1139, 1141, 1142, 1145, 1149, 1151, 1152, 1154, 1156, 1160, 1163, 1164, 1166, 1167, 1168, 1172, 1183, 1185, 1186, 1191, 1193, 1197, 1199, 1201, 1301, 1302, 1303.		Note:	299059 Needle Valve Kit (Used Before Code Date 92101200).
357	91539	Key–3/16"–Square				741	261533	Gear–Timing
358	397144	Gasket Set				851	221798	Terminal–Ignition Cable
363	19069	Puller–Flywheel				852	396397	Cleaner Assy.–Air
370	66432	Washer–Plain				852A	392368	Cleaner Assy.–Air
383	89838	Wrench–Spark Plug					Note:	For Dual Element Air Cleaner Kit Order Part No. 393018.
445	396424	Cartridge–Air Cleaner				854	392884	Bracket Assembly–Stop Switch
445A	392308	Cartridge–Air Cleaner				864	492232	Adapter Assy.–Muffler
446	222844	Base–Air Cleaner				869	211172	Seat–Intake Valve (Used After Code Date 88080100).
467	212706	Knob–Air Cleaner					Note:	210879 Seat–Intake Valve (Used Before Code Date 88080200).
467A	212293	Knob–Air Cleaner					Note:	See Repair Instructions Manual For Options.
506	90200	Screw–Machine				870	211291	Seat–Exhaust Valve
507	66895	Insulator					Note:	See Repair Instructions Manual For Options.
523	69345	Cap–Oil Filler				871	231348	Guide–Exhaust Valve
524	65304	Gasket–Oil Filler Cap					Note:	63709 Guide–Intake Valve
525	91258	Nipple–Oil Filler				883	272203	Gasket
	Note:	Use 394884 Adapter–Oil Filler With Nipple				897	394970	Trigger Coil
534	94190	Screw–Air Cleaner (Used After Code Date 84102900).				898	92507	Lockwasher–Internal Tooth
	Note:	93322 Screw–Air Cleaner (Used Before Code Date 84103000).	621	297472	Switch–Stop	899	93397	Lockwasher–External Tooth
535	27987	Element–Air Cleaner	634	270167	Washer (Felt)	949	396579	Guard–Rewind Starter
535A	271466	Element–Air Cleaner	635	66538	Elbow–Spark Plug	994	398067	Spark Arrester
536	296767	Cleaner Assy.–Air		Note:	392273 Elbow–R.F. Suppressor Used on Type No. 1163.	1016	490817	Spacer–Starter
538	260683	Rod–Speed Control				1019	491068	Label Kit
539	260684	Link–Control Rod	642	223306	Cover–Air Cleaner			
541	22398	Washer–Speed Adjuster to Carburetor	642A	222626	Cover–Air Cleaner			
549	271178	Washer–Air Cleaner	643	280374	Cup–Air Cleaner			
575	396691	Stops Switch–Rotary	643A	222845	Cup–Air Cleaner			

★ Included in Gasket Set–Part No. 397144.