

60500 To 60597
61500 To 61597

Illustrated Parts List

MODEL SERIES

60500 To 60597

TYPE NUMBERS

0110 to 0139

941000 to 941203

61500 To 61597

TYPE NUMBERS

0131 to 0133

941500 to 941688

TO FIND

THE CORRECT NUMBER OF THE PART YOU NEED:

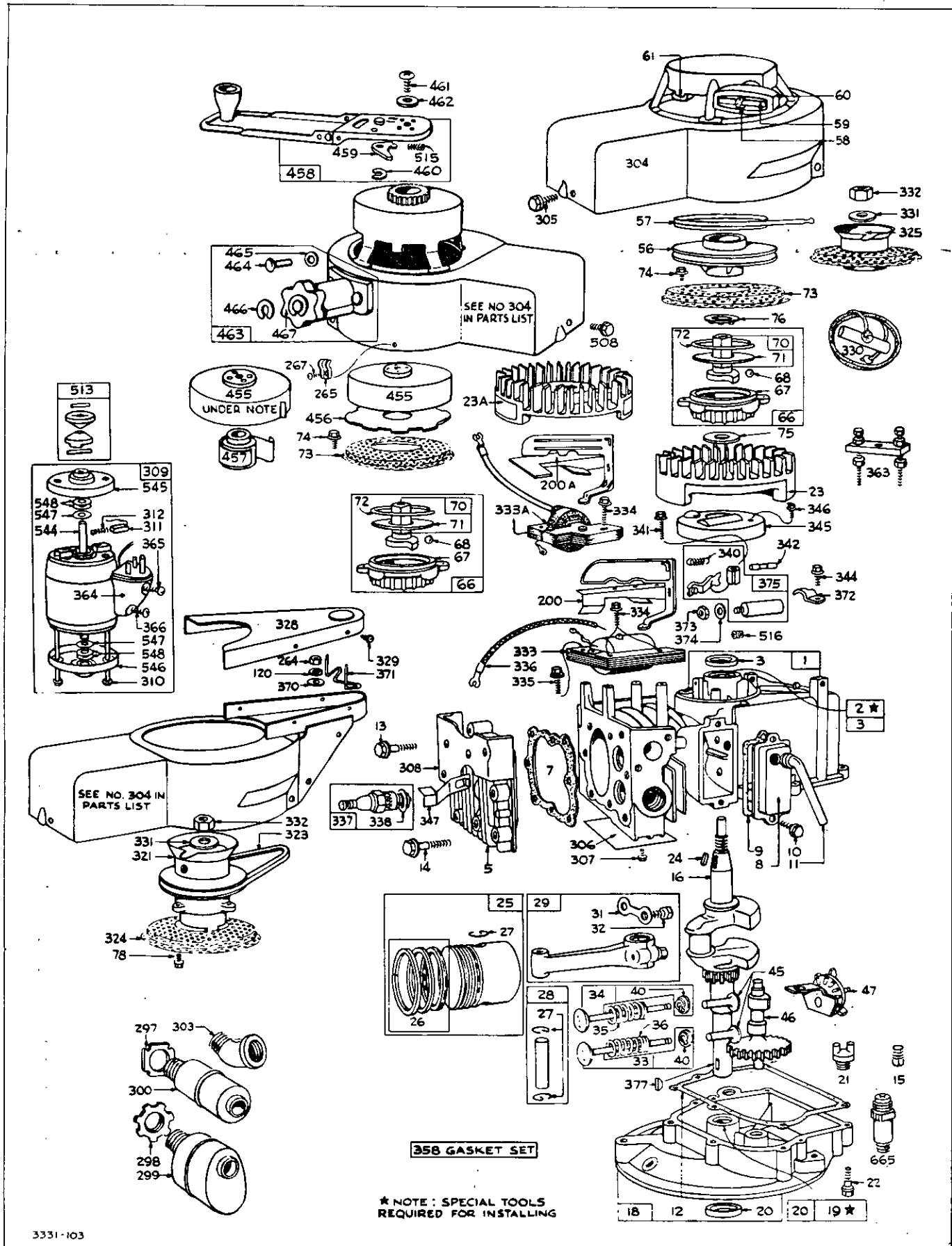
FOLLOW THE INSTRUCTIONS BELOW.

- A. Refer to Engine Model, Type and Serial Number that is stamped on the blower housing or name plate of engine. (Engine type numbers such as 941687 are listed complete. Engine type numbers such as 0137 01 are listed herein only as 0137. The two digits (01 or 02, etc.) to the right of the space are not needed for parts identification). Then use the Illustrated Parts List covering these Model Series.
- B. Refer to Illustrated Parts section and compare the old part with illustration. The number on the illustration is the Reference Number. Assemblies include all parts shown in frames. All parts shown in assembly frames on which individual reference numbers are given can be purchased separately.
- C. After the Reference Number has been identified, refer to the Numerical Parts List, where Reference and Master Part Numbers are listed. **THE MASTER PART IS USED ON ALL TYPE NUMBERS EXCEPT THOSE TYPE NUMBERS UNDER "NOTE"**
- D. If a "Note" appears below the Master Part Number, this means that this part differs from the Master Part for certain types. If the Type Number is listed under "Note", order the part referred to.
- E. If the Engine Type Number does not appear after any part number listed under "Note", use the Master Part Number.
- F. For Type Numbers higher than those covered by this book, please refer to the factory if you are unable to identify the part by comparison.

PRINTED IN U.S.A.

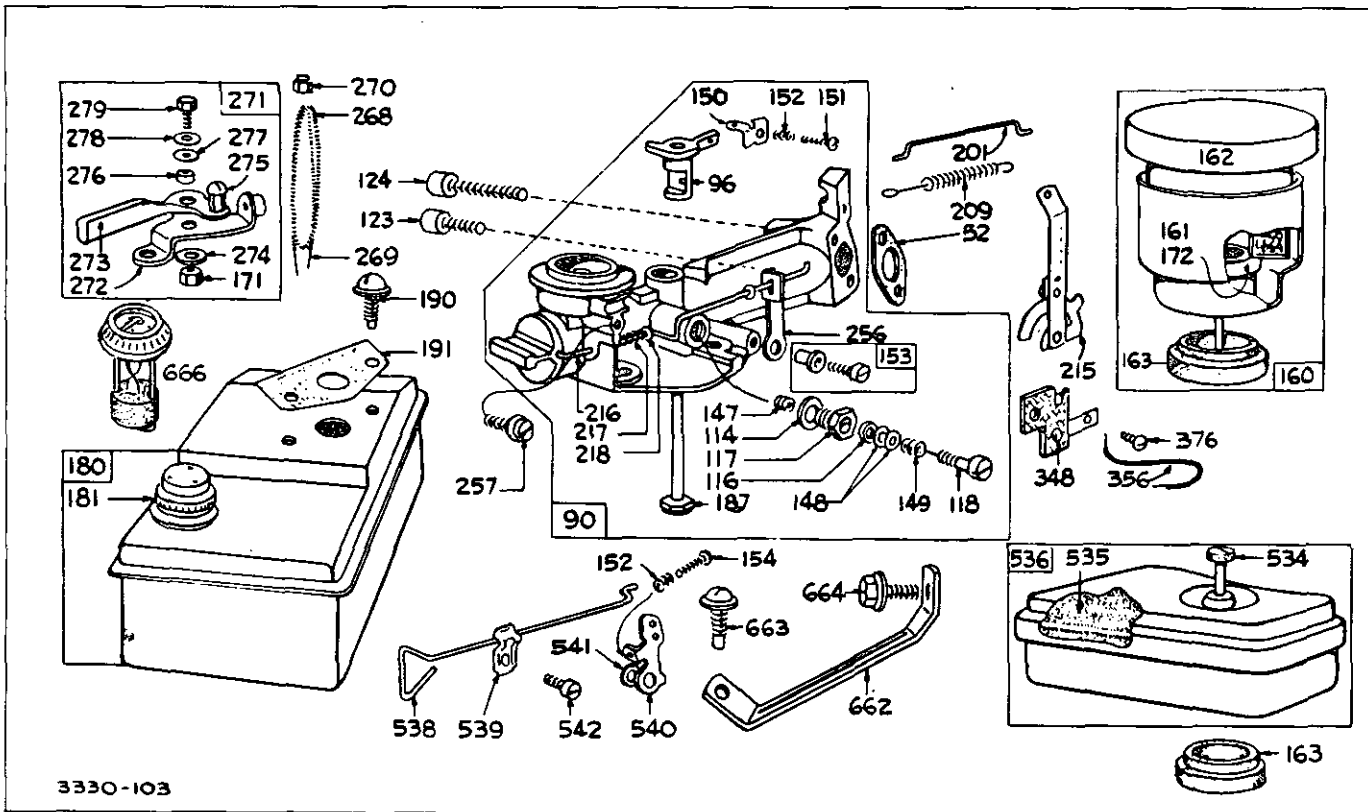


60500 To 60597
61500 To 61597



3331-103

Assemblies include all parts shown in frames.



FUEL SYSTEM PARTS
Assemblies include all parts shown in frames.

REF. NO.	PART NO.	DESCRIPTION	REF. NO.	PART NO.	DESCRIPTION	REF. NO.	PART NO.	DESCRIPTION
1	295450	Cylinder Assembly Used on Model 60500 Series engines after Serial No. 5810030. Note: 293511 Cylinder Assy. Used on Model 60500 Series engines before Serial No. 5810060.		Note: 210209 Head-Cylinder Used on Model 60500 Series before Serial No. 5810060. Also used on Model 61500 Series before Serial No. 5809290.	12	†27586	Gasket-Crankcase-.015" thick (Standard)	
	296802	Cylinder Assembly Used on Model 61500 Series engines after Serial No. 5809260. Note: 295484 Cylinder Assy. Used on Model 61500 Series engines before Serial No. 5809290.	7	†27670	Gasket-Cylinder Head		†27617	Gasket-Crankcase-.005" thick
2	293708	Bushing-Cylinder Note: Requires special tools for installation.	8	292833	Breather-Valve Chamber	13	93111	Screw-Cylinder Head (1-15/16" long)
3	89660	Seal-Oil	9	†27549	Gasket-Valve Cover	14	93113	Screw-Cylinder Head (2-5/16" long)
5	210812	Head-Cylinder	10	93394	Screw-Breather Mtg. Sem	15	91084	Plug-Oil Drain Note: 93418 Plug-Oil Drain (Hexagon Socket Head) Used on Model 60500 Series type Nos. 0135, 941122, 941130, 941149, 941187, 941199; also used on Model 61500 Series type Nos. 0131, 941537, 941559, 941560, 941579, 941616, 941620, 941622.
			11	66638	Tube-Breather Note: 294032 Breather Tube and Spacer 66578 Grommet-Breather Cover Used on Model 60500 Series type Nos. 0135, 941097, 941149, 941187, 941199; also used on Model 61500 Series type Nos. 941544, 941579, 941622, 941680.			

† Included in Gasket Set-Part No. 297275.

60500 To 60597
61500 To 61597

REF. NO.	PART NO.	DESCRIPTION	REF. NO.	PART NO.	DESCRIPTION	REF. NO.	PART NO.	DESCRIPTION
16	260274	Crankshaft		941191, 941197, 941198, 941200; also used on Model 61500 Series type Nos. 0132, 941514, 941527, 941530, 941531, 941532, 941535, 941536, 941541, 941547, 941555, 941558, 941565, 941568, 941569, 941572, 941575, 941578, 941590, 941597, 941603, 941605, 941607, 941608, 941609, 941610, 941611, 941615, 941617, 941621, 941624, 941630, 941631, 941632, 941633, 941636, 941649, 941650, 941651, 941653, 941655, 941657, 941658, 941659, 941661, 941662, 941667, 941671, 941672, 941674, 941678, 941681, 941683, 941686, 941687.		260218		Crankshaft Used on Model 60500 Series type No. 941080.
	Note:	26976 Crankshaft Used on Model 60500 Series type Nos. 941024, 941037, 941079, 941091; also used on Model 61500 Series type Nos. 941640, 941656.		260006	Crankshaft Used on Model 60500 Series type Nos. 941066, 941160, 941164, 941171, 941179; also used on Model 61500 Series type Nos. 941540, 941545, 941557, 941564, 941675, 941676.		260232	Crankshaft Used on Model 60500 Series type Nos. 941027, 941098; also used on Model 61500 Series type Nos. 941604, 941643.
		26978 Crankshaft Used on Model 60500 Series type No. 941023; also used on Model 61500 Series type No. 941639.		260130	Crankshaft Used on Model 60500 Series type No. 941042.		260246	Crankshaft Used on Model 60500 Series type No. 941077.
		260002 Crankshaft Used on Model 60500 Series type Nos. 941026; also used on Model 61500 Series type No. 941642.		260157	Crankshaft Used on Model 60500 Series type Nos. 941034, 941035.		260251	Crankshaft Used on Model 60500 Series type No. 941049; also used on Model 61500 Series type Nos. 941546, 941594, 941660, 941663.
		260003 Crankshaft Used on Model 60500 Series type Nos. 0133, 0137, 941018, 941112, 941140, 941158, 941181, 941193, 941537, 941559; also used on Model 61500 Series type Nos. 941560, 941570, 941601, 941602, 941652, 941654, 941669, 941670.		260215	Crankshaft Used on Model 60500 Series type Nos. 941062, 941063.		260273	Crankshaft Used on Model 60500 Series type Nos. 941010, 941012, 941025, 941039, 941048, 941095, 941194, 941196; also used on Model 61500 Series type Nos. 941510, 941512, 941567, 941573, 941626, 941629, 941641.
		260005 Crankshaft Used on Model 60500 Series type Nos. 0138, 941016, 941031, 941038, 941040, 941045, 941046, 941050, 941051, 941057, 941058, 941059, 941060, 941061, 941068, 941081, 941082, 941083, 941084, 941086, 941089, 941090, 941096, 941099, 941103, 941108, 941111, 941113, 941116, 941117, 941118, 941119, 941121, 941123, 941124, 941126, 941127, 941131, 941132, 941134, 941135, 941141, 941142, 941143, 941144, 941146, 941149, 941156, 941161, 941162, 941163, 941169, 941170, 941172, 941176, 941184, 941186, 941189,		260085	Crankshaft Used on Model 60500 Series type Nos. 941043, 941130.		260378	Crankshaft Used on Model 61500 Series type No. 941524.
				260130	Crankshaft Used on Model 60500 Series type No. 941042.		260415	Crankshaft Used on Model 60500 Series type Nos. 941070, 941071.
				260157	Crankshaft Used on Model 60500 Series type Nos. 941034, 941035.		260432	Crankshaft Used on Model 60500 Series type Nos. 941092, 941093.
				260215	Crankshaft Used on Model 60500 Series type Nos. 941062, 941063.		260666	Crankshaft Used on Model 60500 Series type Nos. 0134, 941148, 941202; also used on Model 61500 Series type No. 941684.
				260217	Crankshaft Used on Model 60500 Series type Nos. 0136, 941056; also used on Model 61500 Series type No. 941553.		260669	Crankshaft Used on Model 60500 Series type Nos. 941159, 941180.

60500 To 60597
61500 To 61597

REF. PART NO. NO. DESCRIPTION	REF. PART NO. NO. DESCRIPTION	REF. PART NO. NO. DESCRIPTION
<p>18 293512 Sump—Oil Note: 293597 Sump—Oil Used on Model 60500 Series type Nos. 0136, 941056; also used on Model 61500 Series type No. 941553. 295041 Sump—Oil Used on Model 60500 Series type Nos. 941098, 941138, 941139, 941153, 941154; also used on Model 61500 Series type No. 941524.</p>	<p>941622, 941628, 941652, 941655, 941680. 24 61760 Key—Flywheel 25 295587 Piston Assy.—Standard (for 2-3/8" Bore) Used on Model 60500 Series after Serial No. 5810030. Note: 293400 Piston Assy.—Std. (for 2-5/16" Bore) Used on Model 60500 Series before Serial No. 5810060. 295455 Piston Assy.—Std. (for 2-3/8" Bore) Used on Model 61500 Series after Serial No. 5809260. 295479 Piston Assy.—Std. (for 2-5/16" Bore) Used on Model 61500 Series before Serial No. 5809290. 295588 Piston Assembly— .010" O.S. (for 2-3/8" Bore) Used on Model 60500 Series after Serial No. 5810030. Note: 293401 Piston Assy.— .010" O.S. (for 2-5/16" Bore) Used on Model 60500 Series before Serial No. 5810060. 295456 Piston Assy.— .010" O.S. (for 2-3/8" Bore) Used on Model 61500 Series after Serial No. 5809260. 295480 Piston Assy.— .010" O.S. (for 2-5/16" Bore) Used on Model 61500 Series before Serial No. 5809290. 295589 Piston Assy.—.020" O.S. (for 2-3/8" Bore) Used on Model 60500 Series after Serial No. 5810030.</p>	<p>Note: 293402 Piston Assy.— .020" O.S. (for 2-5/16" Bore) Used on Model 60500 Series before Serial No. 5810060. 295457 Piston Assy.— .020" O.S. (for 2-3/8" Bore) Used on Model 61500 Series after Serial No. 5809260. 295481 Piston Assy.— .020" O.S. (for 2-5/16" Bore) Used on Model 61500 Series before Serial No. 5809290. 295590 Piston Assy.—.030" O.S. (for 2-3/8" Bore) Used on Model 60500 Series after Serial No. 5810030. Note: 293403 Piston Assy.— .030" O.S. (for 2-5/16" Bore) Used on Model 60500 Series before Serial No. 5810060. 295458 Piston Assy.— .030" O.S. (for 2-3/8" Bore) Used on Model 61500 Series after Serial No. 5809260. 295482 Piston Assy.— .030" O.S. (for 2-5/16" Bore) Used on Model 61500 Series before Serial No. 5809290.</p> <p>MODEL 60500 SERIES RING SETS: 26 294232 Ring Set—Std. Piston Used on Model 60500 Series after Serial No. 5810030. Consists of: 210471 Ring, Piston, Compression, Top 210472 Ring, Piston, Compression, Center</p>
<p>19 293709 Bushing—Oil Sump Note: Requires special tools for installation.</p> <p>20 291841 Seal—Oil 21 66768 Plug—Oil Filler 22 93032 Screw—Sump Mtg. Sem 23 293205 Flywheel—Magneto (Used before Serial No. 6212310) Note: 295936 Flywheel—Magneto Used before Serial No. 6212310 on Model 60500 Series type Nos. 941018, 941039, 941066, 941125, 941146, 941156, 941158, 941188; also used on Model 61500 Series type Nos. 941525, 941537, 941559, 941560, 941622, 941628, 941652, 941655, 941680.</p> <p>23A 297949 Flywheel—Magneto (Used on and after Serial No. 6212310) Note: 296884 Flywheel—Magneto Used on and after Serial No. 6212310 on Model 60500 Series type Nos. 0133, 0136, 0137, 941018, 941039, 941066, 941125, 941146, 941156, 941158, 941188, 941193; also used on Model 61500 Series type Nos. 941525, 941537, 941559, 941560,</p>		

60500 To 60597
61500 To 61597

REF. NO.	PART NO.	DESCRIPTION	REF. NO.	PART NO.	DESCRIPTION	REF. NO.	PART NO.	DESCRIPTION
		210473 Ring, Piston, Oil						
Note:	293506	Ring Set— Standard Piston Used on Model 60500 Series before Serial No. 5810060. Consists of:	Note:	293508	Ring Set—.020'' O.S. Piston Used on Model 60500 Series before Serial No. 5810060. Consists of:			295661 Ring Set— (with expander), Std.
		210222 Ring, Piston, Comp., Top, Std.			210364 Ring, Piston, Comp., Top, .020'' O.S.†			Note: 295649 Ring Set— Standard Piston Used on Model 61500 Series before Serial No. 5809290. Consists of:
		210223 Ring, Piston, Comp., Center, Std.			210365 Ring, Piston, Comp., Center, .020'' O.S.			210788 Ring, Piston Comp., Top, Std.
		210224 Ring, Piston, Oil, Standard			210366 Ring, Piston, Oil, .020'' O.S.			210789 Ring, Piston, Comp., Center, Std.
294224		Ring Set—.010'' O.S. Piston Used on Model 60500 Series after Serial No. 5810030. Consists of:	294226		Ring Set—.030'' O.S. Piston Used on Model 60500 Series after Serial No. 5810030. Consists of:		295658	Ring Set—.010'' O.S. Piston Used on Model 61500 Series after Serial No. 5809260. Consists of:
		210490 Ring, Piston, Compression, Top			210496 Ring, Piston, Comp., Top, .030'' O.S.			210799 Ring, Piston, Comp., Top, .010'' O.S.
		210489 Ring, Piston, Compression, Center			210495 Ring, Piston, Comp., Center, .030'' O.S.			210798 Ring, Piston, Comp., Center, .010'' O.S.
		210491 Ring, Piston, Oil			210497 Ring, Piston, Oil, .030'' O.S.			295662 Ring, Oil (with expander), .010'' O.S.
Note:	293507	Ring Set—.010'' O.S. Piston Used on Model 60500 Series before Serial No. 5810060. Consists of:	Note:	293509	Ring Set—.030'' O.S. Piston Used on Model 60500 Series before Serial No. 5810060. Consists of:			Note: 295659 Ring Set—.010'' O.S. Piston Used on Model 61500 Series before Serial No. 5809290. Consists of:
		210361 Ring, Piston, Comp., Top, .010'' O.S.			210367 Ring, Piston, Comp., Top, .030'' O.S.			210790 Ring, Piston, Comp., Top, .010'' O.S.
		210362 Ring, Piston, Comp., Center, .010'' O.S.			210368 Ring, Piston, Comp., Center, .030'' O.S.			210791 Ring, Piston, Comp., Center, .010'' O.S.
		210363 Ring, Piston, Oil, .010'' O.S.			210369 Ring, Piston, Oil, .030'' O.S.			295654 Ring, Oil (with expander), .010'' O.S.
294225		Ring Set—.020'' O.S. Piston Used on Model 60500 Series after Serial No. 5810030. Consists of:	MODEL 61500 SERIES RING SETS:					295659
		210493 Ring, Piston, Comp., Top, .020'' O.S.	295657		Ring Set—Std. Piston Used on Model 61500 Series after Serial No. 5809260. Consists of:			Ring Set—.020'' O.S. Piston Used on Model 61500 Series after Serial No. 5809260. Consists of:
		210492 Ring, Piston, Comp., Center, .020'' O.S.			210796 Ring, Piston, Comp., Top, Std.			210801 Ring, Piston, Comp., Top, .020'' O.S.
		210494 Ring, Piston, Oil, .020'' O.S.			210797 Ring, Piston, Comp., Center, Std.			210800 Ring, Piston, Comp., Center, .020'' O.S.

60500 To 60597
61500 To 61597

REF. NO.	PART NO.	DESCRIPTION	REF. NO.	PART NO.	DESCRIPTION	REF. NO.	PART NO.	DESCRIPTION
		295663 Ring, Oil (with expander), .020" O.S.			Note: 23386 Valve—Intake Used on Model 60500 Series engines before Serial No. 5810060. Also used on Model 61500 Series engines before Serial No. 5809290.	75	220865	Washer—Spring (Used to lock starter clutch)
	Note:	295651 Ring Set—.020" O.S. Used on Model 61500 Series before Serial No. 5809290. Consists of:	35	260552	Spring—Intake Valve	76	.66738	Washer—Ratchet Sealing (Used only with 7 point shank ratchet)
		210792 Ring, Piston, Comp., Top, .020" O.S.	36	26478	Spring—Exhaust Valve	78	93014	Screw—Pulley Screen Mounting Sem
		210793 Ring, Piston, Comp., Center, .020" O.S.	40	93312	Retainer—Valve Spring (Used with valves with groove in stem)	90	295334	Carburetor Assembly (Choke-A-Matic)
		295655 Ring, Oil (with expander), .020" O.S.			Note: 23184 Retainer—Valve Spring		Note: 295276	Carburetor Assy. (Manual Choke) Used on Model 60500 Series type Nos. 0115, 0131, 0134, 0136, 941010, 941011, 941012, 941015, 941016, 941017, 941022, 941023, 941024, 941025, 941026, 941027, 941028, 941029, 941033, 941034, 941036, 941037, 941038, 941039, 941040, 941042, 941043, 941048, 941049, 941050, 941053, 941054, 941058, 941061, 941062, 941064, 941070, 941073, 941076, 941079, 941080, 941082, 941083, 941091, 941094, 941095, 941096, 941097, 941105, 941108, 941115, 941116, 941118, 941125, 941127, 941130, 941141, 941144, 941148, 941187, 941189, 941200, 941202; also used on Model 61500 Series type Nos. 0132, 941510, 941511, 941512, 941518, 941519, 941525, 941527, 941528, 941529, 941532, 941533, 941536, 941543, 941544, 941546, 941547, 941551, 941563, 941567, 941569, 941570, 941579, 941586, 941594, 941599, 941628, 941633, 941639, 941640, 941641, 941642, 941643, 941660, 941668, 941671, 941683, 941686, 941687.
295660		Ring Set—.030" O.S. Piston Used on Model 61500 Series after Serial No. 5809260. Consists of:	45	230173	Tappet—Valve			295471 Carburetor Assy. (Manual Choke)
		210803 Ring, Piston, Comp., Top, .030" O.S.	46	210453	Gear—Cam			
		210802 Ring, Piston, Comp., Center, .030" O.S.	47	294652	Oil Slinger Gear and Bracket			
		295664 Ring, Oil (with expander), .030" O.S.	52	†27355	Gasket—Intake Elbow Mounting			
	Note:	295652 Ring Set—.030" O.S. Used on Model 61500 Series before Serial No. 5809290. Consists of:	56	294088	Pulley—Rewind Starter			
		210794 Ring, Piston, Comp., Top, .030" O.S.	57	294303	Spring—Rewind Starter			
		210795 Ring, Piston, Comp., Center .030" O.S.	58	66384	Rope—Rewind Starter—47-1/8" long			
		295656 Ring, Oil (with expander), .030" O.S.			Note: If longer rope is needed, order No. 66514 and cut to required length.			
27	26026	Lock—Piston Pin	59	230228	Pin—Starter Rope			
28	291925	Pin Assy.—Piston—Std.	61	66528	Bumper—Starter Pulley			
	291926	Pin Assy.—Piston—.005" O.S.	66	296468	Clutch Assy.—Rewind and Wind-up Starter			
29	293505	Rod Assy.—Connecting	67	210400	Housing—Starter Clutch			
31	220460	Lock—Conn. Rod Screw	68	63770	Ball—Clutch			
32	92296	Screw—Connecting Rod	70	296597	Ratchet—Rewind and Wind-up Starter			
33	296676	Valve—Exhaust	71	221301	Washer—Clutch Retainer (Used with square shank ratchet)			
34	296677	Valve—Intake			Note: 220575 Washer—Clutch Retainer (Used with 7 point shank ratchet)			
			72	26032	Spring—Clutch Retainer			
			73	220648	Screen—Starter Pulley			
			74	93042	Screw—Rotating Screen Mounting Sem			

† Included in Gasket Set—Part No. 297275.

60500 To 60597
61500 To 61597

REF. NO.	PART NO.	DESCRIPTION	REF. NO.	PART NO.	DESCRIPTION	REF. NO.	PART NO.	DESCRIPTION
		Used on Model 60500 Series type Nos. 0135, 0137, 941018, 941041, 941056, 941060, 941066, 941069, 941072, 941076, 941078, 941102, 941104, 941120, 941122, 941123, 941140, 941145, 941146, 941149, 941150, 941169, 941190, 941197, 941199, 941201; also used on Model 61500 Series type Nos. 0131, 941514, 941516, 941534, 941541, 941543, 941549, 941553, 941558, 941562, 941568, 941572, 941584, 941598, 941600, 941616, 941620, 941622, 941629, 941645, 941651, 941656, 941657, 941666, 941680, 941682. 295534 Carburetor Assy. (Choke-A-Matic)	117	23431	Nut-Needle Valve			941199; also used on Model 61500 Series type Nos. 941544, 941579, 941622.
		Used on Model 60500 Series type Nos. 941077, 941100, 941101, 941132, 941133, 941134, 941160, 941179, 941185; also used on Model 61500 Series type Nos. 941524, 941554, 941557, 941564, 941580, 941581, 941601, 941602, 941606, 941609, 941610, 941632, 941635, 941636, 941669, 941670, 941674, 941675, 941676. 295604 Carburetor Assy. (Manual Choke)	118	23433	Valve-Needle	171	92129	Nut-Hex. -1/4-28
		Used on Model 60500 Series type No. 941181. 295894 Carburetor Assy. (Manual Choke)	120	92290	Washer-Lock-No. 10 x 1/16" x 3/64"	172	27795	Gasket-Air Cleaner
		Used on Model 60500 Series type No. 941131; also used on Model 61500 Series type Nos. 941573, 941582, 941630, 941631.	123	93353	Screw-Carburetor Mtg.	180	293630	Tank Assembly-Fuel Note: 295119 Tank Assy.-Fuel Used on Model 60500 Series type Nos. 941077, 941100, 941101, 941131, 941132, 941133, 941134, 941160, 941179, 941181, 941185; also used on Model 61500 Series type Nos. 941524, 941554, 941557, 941564, 941573, 941580, 941581, 941582, 941601, 941602, 941606, 941609, 941610, 941630, 941631, 941635, 941636, 941669, 941670, 941671, 941674, 941675, 941676.
96	210721	Throttle-Carburetor	124	93360	Screw-Carburetor Mtg.	181	298425	Cap-Fuel Tank
114	65787	Gasket-Needle Valve Nut	147	23432	Seat-Needle Valve	187	296476	Pipe-Fuel (2-19/32" long) Used to Replace Plastic Pipes. Use: 293700 Pipe-Fuel To replace 2-17/32" long brass pipes. Note: 296842 Pipe-Fuel Used to replace 2-11/32" long plastic pipes. Use: 295121 Pipe-Fuel To replace 2-9/32" long brass pipes.
116	65978	Packing-Needle Valve	148	22235	Washer-Needle Valve	190	93395	Screw-Fuel Tank Mtg.
		† Included in Gasket Set-Part No. 297275.	149	26336	Spring-Needle Valve	191	†27404	Gasket-Fuel Tank Mtg.
			150	220105	Connector-Governor Link	200	294617	Blade-Governor (Used before Serial No. 6212310)
			151	92634	Screw-Machine, Rd. Hd. -5-40 x 5/8"	200A	297309	Blade-Governor (Used on and after Serial No. 6212310)
			152	260575	Spring-Throttle Adjustment	201	260024	Link-Governor
			153	298031	Screw-Carburetor Cam and Lever	209	260202	Spring-Governor (Choke-A-Matic) Note: 260025 Spring-Governor (Manual Choke)
			154	93349	Screw-Machine, Rd. Hd. -5-40 x 5/8"			
			160	294870	Cleaner Assembly-Air (with mounting stud) Note: 294871 Cleaner Assy. - Air (with mounting stud) Used on Model 60500 Series type No. 941097; also used on Model 61500 Series type Nos. 941544, 941579, 941622.			
			161	293991	Bowl-Air Cleaner			
			162	294861	Cover and Filter-Air Cleaner (with mounting stud) Note: 294862 Cover and Filter- Air Cleaner (with mounting stud) Used on Model 60500 Series type No. 941097; also used on Model 61500 Series type Nos. 941544, 941579, 941622. 297778 Cover- Carburetor Intake (with mounting stud) Used on Model 60500 Series type Nos. 0137, 941018.			
			163	†27660	Gasket-Air Cleaner Mtg. Note: 27666 Gasket-Air Cleaner Mtg. (Collar Type with Side Outlet) Used on Model 60500 Series type Nos. 941097,			

60500 To 60597
61500 To 61597

REF. PART NO.	PART NO.	DESCRIPTION	REF. PART NO.	PART NO.	DESCRIPTION	REF. PART NO.	PART NO.	DESCRIPTION
		Used on Model 60500 Series type Nos. 0115, 0131, 0134, 0135, 0136, 0137, 941010, 941011, 941012, 941015, 941016, 941017, 941018, 941022, 941023, 941024, 941025, 941026, 941027, 941028, 941029, 941033, 941034, 941036, 941037, 941038, 941039, 941040, 941041, 941042, 941043, 941048, 941049, 941050, 941053, 941054, 941056, 941058, 941060, 941061, 941062, 941064, 941066, 941069, 941070, 941072, 941073, 941076, 941078, 941079, 941080, 941082, 941083, 941091, 941094, 941095, 941096, 941097, 941102, 941104, 941105, 941108, 941115, 941116, 941118, 941120, 941122, 941123, 941125, 941127, 941130, 941131, 941140, 941141, 941144, 941145, 941146, 941148, 941149, 941150, 941169, 941181, 941187, 941189, 941190, 941197, 941199, 941200, 941201; also used on Model 61500 Series type Nos. 0131, 0132, 941510, 941511, 941512, 941514, 941516, 941518, 941519, 941525, 941527, 941528, 941529, 941532, 941533, 941534, 941536, 941541, 941543, 941544, 941546, 941547, 941549, 941551, 941553, 941558, 941562, 941563, 941567, 941568, 941569, 941570, 941572, 941573, 941579, 941582, 941584, 941586, 941594, 941598, 941599, 941600, 941616, 941620, 941622, 941628, 941629, 941630, 941631, 941633, 941639, 941640, 941641, 941642, 941643,			941645, 941651, 941656, 941657, 941660, 941666, 941671, 941680, 941682, 941683, 941686, 941687. 260592 Spring-Governor (Choke-A-Matic) (for 3400 to 3600 rpm top speed set - no load) Used on Model 60500 Series type Nos. 0132, 0133, 0138, 941151, 941153, 941154, 941158, 941161, 941162, 941164, 941171, 941172, 941177, 941184, 941192, 941193, 941194, 941195; also used on Model 61500 Series type Nos. 941650, 941652, 941681, 941684. 260597 Spring-Governor (Choke-A-Matic) (for 3200 to 3400 rpm top speed set - no load) Used on Model 60500 Series type No. 941163. 260599 Spring-Governor (Choke-A-Matic) (for 4000 to 4200 rpm top speed set - no load) Used on Model 60500 Series type Nos. 0126, 0129, 941030, 941136, 941137, 941138, 941139, 941155, 941156, 941157, 941159, 941170, 941178, 941180, 941186, 941191; also used on Model 61500 Series type Nos. 941565, 941592, 941621, 941648, 941655, 941658, 941663, 941678, 941679.			941102, 941104, 941120, 941122, 941123; also used on Model 61500 Series type Nos. 941514, 941516, 941534, 941541, 941543, 941549, 941553, 941558, 941562, 941568, 941572, 941584, 941598, 941600, 941616, 941620, 941622, 941629, 941645, 941651, 941656, 941657.
			215	293424	Control-Governor Note: 220107 Cam-Speed Adjuster 220949 Lever-Speed Adjuster	216	260188	Link-Choke
						217	260189	Spring-Choke Link
						218	220968	Washer-Choke Link (3)
						256	220952	Lever-Speed Adjuster
						257	93263	Screw-Sem
						264	90355	Nut-Hex. -No. 10-32
						265	221407	Clamp-Control Casing
						267	93351	Screw-Clamp Mounting
						268	66986	Casing-Control Wire-48" long Note: If longer casing is needed, specify length in inches; if shorter casing is needed, order No. 66986 and cut to required length.
						269	26099	Wire-Control, 54" long Note: If longer wire is needed, specify length in inches; if shorter wire is needed, order No. 26099 and cut to required length.
						270	63426	Locknut-Control Wire Casing
						271	290568	Lever Assembly-Control
						272	290584	Base-Control Lever
						273	290642	Lever-Control
						274	91237	Washer-Lock-1/4 x 3/32 x 5/64"
						275	92287	Screw-Machine, Rd. Hd. -10-32 x 1/4"
						276	22834	Washer-Spacer
						277	22368	Washer-Control Lever
						278	22725	Washer-Control Lever
						279	92306	Screw-Cap, Hex. Hd. -1/4-28 x 5/8"
						297	91811	Locknut-Exhaust Elbow
						298	220859	Locknut-Muffler
						299	294441	Muffler-Exhaust (Lo-Tone)

60500 To 60597
61500 To 61597

REF. NO.	PART NO.	DESCRIPTION	REF. NO.	PART NO.	DESCRIPTION	REF. NO.	PART NO.	DESCRIPTION
300	89966	Muffler—Exhaust		941074, 941075, 941077,				296284 Housing—Blower
	Note:	29807 Muffler—Exhaust		941081, 941087, 941090,				(For Rewind Starter)
		Used on Model 60500		941093, 941099, 941100,				Used on Model 61500
		Series type Nos. 0137,		941103, 941122, 941125,				Series type No. 941543.
		941018.		941130, 941132, 941151,				296301 Housing—Blower
		292054 Muffler—Exhaust		941153, 941164, 941178,				(For Rewind Starter)
		Used on Model 60500		941180, 941184, 941195,				Used on Model 61500
		Series type No. 941019;		941198; also used on				Series type No. 941598.
		also used on Model 61500		Model 61500 Series type				296325 Housing—Blower
		Series type Nos. 941521,		Nos. 941515, 941516,				(For Wind-up Starter)
		941537, 941583, 941588.		941520, 941521, 941522,				Used on Model 60506,
		295905 Muffler—Exhaust		941526, 941531, 941539,				61506 Series engines.
		Used on Model 61500		941548, 941550, 941552,				296894 Housing—Blower
		Series type Nos. 941537,		941555, 941556, 941559,				(For Rewind Starter)
		941571, 941574.		941565, 941574, 941575,				Used on Model 60500
303	91810	Elbow—Exhaust,		941576, 941577, 941578,				Series type Nos. 94115
		45°, Street		941580, 941617, 941632,				941172, 941189, 94120
	Note:	91812 Elbow—Exhaust,		941634, 941646, 941673,				also used on Model 615
		90°		941678.				Series type No. 941660
		Used on Model 61500		295060 Housing—Blower		305	93158	Screw—Blower Housing
		Series type Nos. 0131,		(For Rewind Starter)				Mounting Sem
		941559, 941560, 941620.		Used on Model 60500			Note:	93294 Screw—Blower
		92124 Nipple		Series type Nos. 941034,				Housing Mounting Sem
		92135 Elbow—90°		941035, 941070, 941071.				Used on type No. 9415
		Used on Model 61500		295191 Blower Housing		306	220478	Shield—Cylinder
		Series type No. 941537.		and Brackets Assembly		307	93042	Screw—Cylinder Shield
304	294260	Housing—Blower		(For Electric Starter)				Mounting Sem
		(For Rewind Starter)		Used on Model Series		308	220581	Cover—Cylinder Head
	Note:	294263 Housing—Blower		60503, 61503.		309	295188	Motor—Electric Starter
		(For Rope Starter)		295729 Housing—Blower		310	93239	Bolt—Case
		Used on Model 60501,		(For Rewind Starter)		311	295697	Brush—Starter Motor
		61501 Series.		Used on Model 60500		312	260404	Spring—Brush
		294282 Housing—Blower		Series type No. 941524.		321	210711	Pulley—Electric Starter
		(For Rewind Starter)		295816 Housing—Blower			Note:	When ordering this pulley
		Used on Model 60500		(For Rewind Starter)				order Vee-Belt part No.
		Series type Nos. 941041,		Used on Model 60500				67238 also.
		941043, 941047, 941049,		Series type Nos. 0133,		323	67238	Belt—Vee
		941058, 941064, 941082,		941163, 941174, 941175,			Note:	67038 Belt—Vee
		941088, 941089; also		941193; also used on				Used on engines before
		used on Model 61500		Model 61500 Series type				Serial No. 5903020.
		Series type Nos. 941514,		Nos. 941540, 941557,		324	220648	Screen—Electric Starter
		941546, 941566, 941568,		941564, 941583, 941588,				Pulley
		941572, 941594, 941607.		941596, 941599, 941600,		325	293959	Starter Pulley with
		294338 Housing—Blower		941614, 941627, 941653,				Screen
		(For Rewind Starter)		941664, 941671.		328	221039	Guard—Belt
		Used on Model 60500		296101 Housing—Blower		329	93014	Screw—Belt Guard
		Series type Nos. 941019,		(For Rewind Starter)				Mounting Sem
		941021, 941030, 941031,		Used on Model 60500		330	29878	Rope—Starter
		941032, 941046, 941051,		Series type Nos. 941022,		331	62577	Washer—Flywheel
		941055, 941057, 941059,		941156; also used on		332	91708	Nut—Flywheel
		941060, 941063, 941065,		Model 61500 Series type			Note:	92284 Nut—Flywheel
				Nos. 941628, 941655.				Used on type No. 9410

60500 To 60597
61500 To 61597

REF. NO.	PART NO.	DESCRIPTION	REF. NO.	PART NO.	DESCRIPTION	REF. NO.	PART NO.	DESCRIPTION
333	291617	Armature—Magneto (Used before Serial No. 6212310)	374	92813	Washer—Lock—Shakeproof	515	260537	Spring—Ratchet Pawl
333A	297307	Armature—Magneto (Used on and after Serial No. 6212310)	375	294628	Breaker Points and Condenser Set	516	260374	Spring—Connector (Condenser Post)
334	93381	Screw—Armature Mtg. Sem		Note:	293999 Wire—Condenser Ground	534	93322	Screw—Air Cleaner
335	93381	Screw—Armature Mtg. Sem			92791 Washer—Lock—Shakeproof (2)		Note:	93330 Screw—Air Cleaner
336	292149	Cable—Ignition Used on engines before Serial No. 6212310. Cables used on and after this serial number are molded into the coil.			90576 Nut—Hex. —8-32			Used on Model 60500 Series type Nos. 0135, 941097, 941149, 941187, 941199; also used on Model 61500 Series type Nos. 941544, 941579, 941622, 941680.
337	29693	Plug—Spark (with gasket)	376	93167	Screw—Ground Wire	535	27987	Element—Air Cleaner
	Note:	293918 Plug—Spark (with gasket) Used on type No. 941197.	377	93065	Key—Woodruff No. 505	536	296766	Cleaner Assembly—Air
338	29806	Gasket—Spark Plug	455	296455	Cup, Hub and Spring Assembly (with pinned Spring)	538	260560	Rod—Speed Control
340	26018	Spring—Breaker Arm		Note:	296327 Cup and Spring Assembly Used on earlier model engines.		Note:	260683 Rod—Speed Control Used on Model 60500 Series type No. 941197. Uses: 260684 Link (between rod and speed adjuster lever)
341	93381	Screw—Contact Finger Post Mounting Sem	456	221222	Plate—Retainer	539	221372	Clip—Speed Control
342	65704	Plunger—Breaker Point	457	296264	Hub and Spring Assy. Used on earlier model engines.		Note:	66432 Washer 26157 Spring Used on Model 60500 Series type No. 941197.
344	93042	Screw—Condenser Clamp Mounting Sem	458	296251	Handle Assy.—Cranking	540	221380	Lever—Speed Adjuster
345	220366	Cover—Breaker Point and Condenser	459	221332	Pawl—Ratchet (Single Acting)	541	22398	Washer—Speed Adjuster to Carburetor
346	93014	Screw—Dust Cover Mounting Sem		Note:	221220 Pawl—Ratchet (Double Acting) Used on earlier model engines.	542	91494	Screw—Speed Adjuster
347	296110	Plate Assembly—Stop Switch Insulator	460	93272	Retainer—Ratchet Pawl		Note:	91359 Screw—Machine, Fill. Hd. —10-32 x 3/4"
356	296185	Wire—Ground	461	93298	Screw—Handle Mtg.			Used on Model 60500 Series type No. 941197.
358	297275	Gasket Set	462	221237	Washer—Handle Mtg.	544	296769	Armature—Electric Starter
	Note:	293525 Gasket Set (Used on Model 60500 Series before Serial No. 5810060) Also used on Model 61500 Series before Serial No. 5809280.	463	296445	Holder Assy.—Flywheel	545	296770	Case Assembly—Long Shaft End
363	19069	Puller—Flywheel (Optional Accessory)	464	93291	Rivet—Holder Assembly Mounting (2)	546	296775	Case Assembly—Short Shaft End
364	295698	Plug—Connector	465	221226	Washer—Holder Assy. Mounting (2)	547	270025	Washer—Fibre
365	93241	Screw—Plug Mtg. (long)	466	93272	Retainer—Holder Control Knob	548	221381	Washer—Thrust (Steel)
366	93240	Screw—Plug Mtg. (short)	467	211017	Knob—Control	662	221611	Bracket—Carburetor
370	66432	Washer—Flat	508	93294	Screw—Blower Housing Mounting Sem	663	93395	Screw—Bracket Mtg.
371	260275	Restrictor—Belt	513	296567	Clutch Assembly—Electric Starter	664	93415	Screw—Bracket Mtg.
372	220477	Clamp—Condenser				665	296768	Oil Minder
373	92987	Nut—Condenser Term.				666	297073	Gage—Fuel Level