

Illustrated Parts List

MODEL SERIES

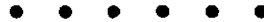
60700 to 60799 61700 to 61799

TYPE NUMBERS

907100 TO 907171
907500 TO 907561

HOW TO FIND THE CORRECT NUMBER OF THE PART YOU NEED

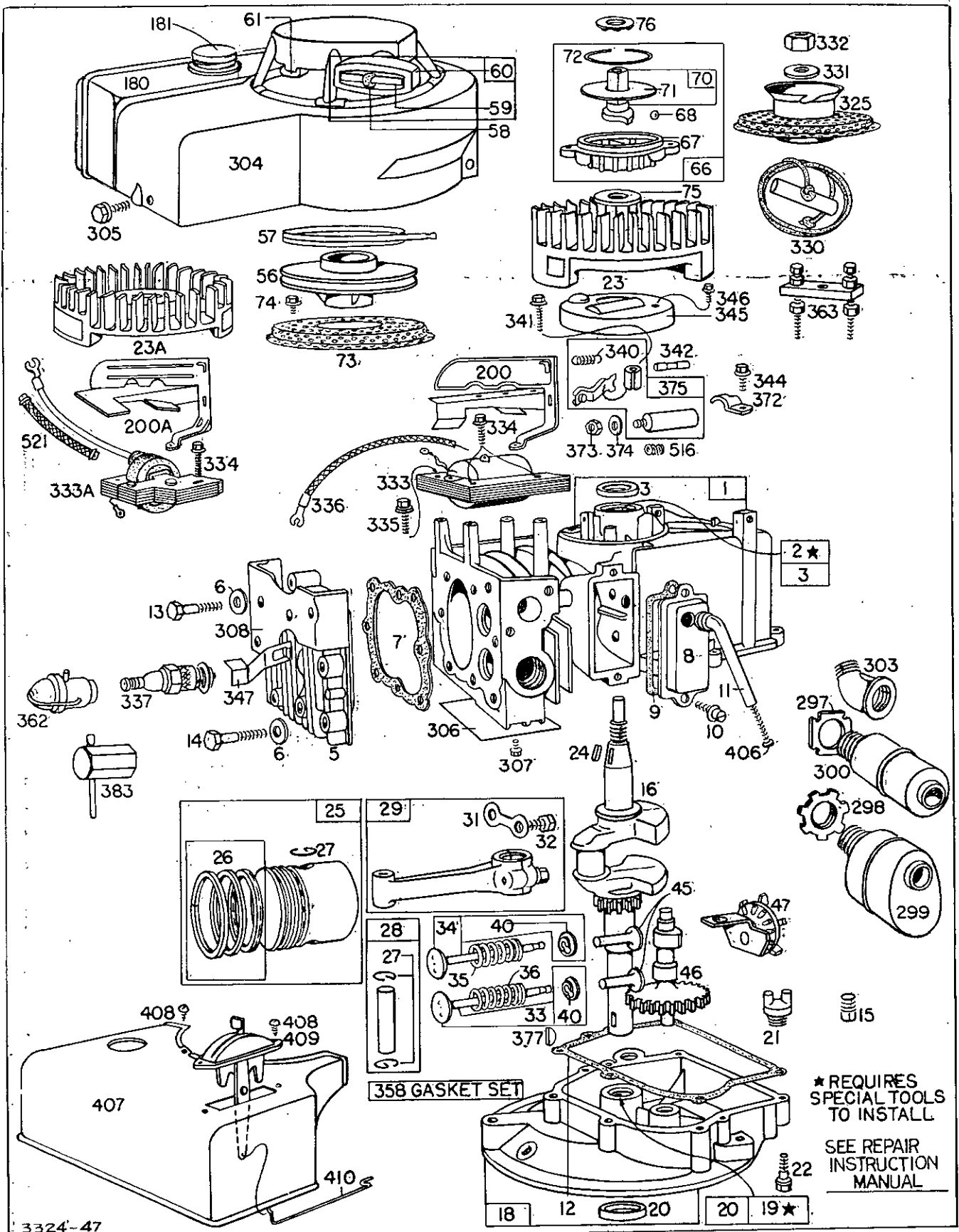
These instructions are to be followed when using a Parts List to determine the correct part for an engine.



- A.** Refer to Engine Model, Type and Serial Number that is stamped on the blower housing or name plate of engine. Then use the Illustrated Parts List covering this Model Series.
- B.** Refer to Illustrated Parts section and compare the old part with illustration. The number on the illustration is the Reference Number. Assemblies include all parts shown in frames. All parts shown in assembly frames on which individual reference numbers are given can be purchased separately.
- C.** After the Reference Number has been identified, refer to the Numerical Parts List, where Master Part Numbers are listed. **THE MASTER PART IS USED ON ALL TYPE NUMBERS EXCEPT THOSE TYPE NUMBERS UNDER "NOTE".**
- D.** If a "Note" appears below the Master Part Number, this means that this part differs from the Master Part for certain types. If the Type Number is listed under "Note" order the part referred to.
- E.** If the Engine Type Number does not appear after any part number listed under "Note", use the Master Part Number.
- F.** For Type Numbers higher than those covered by this book, please refer to the factory if you are unable to identify the part by comparison.

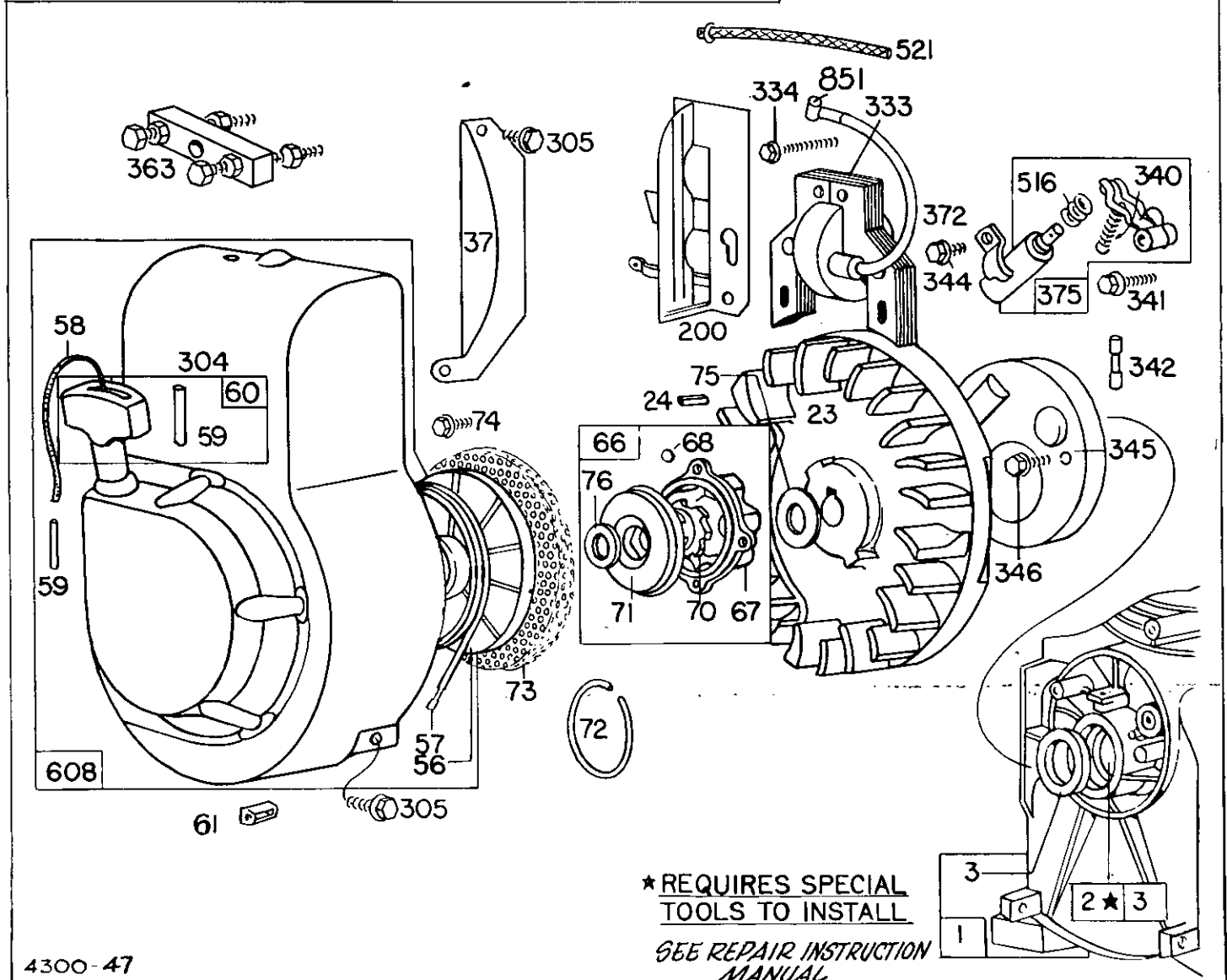
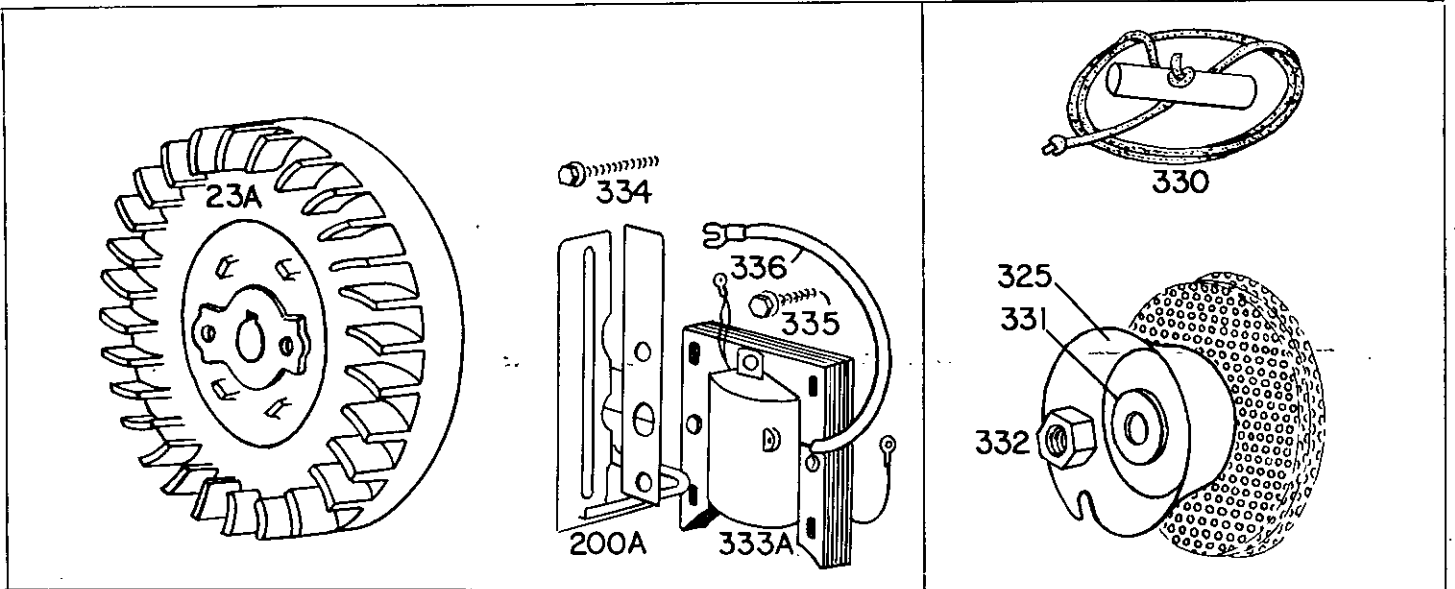


60700 To 60799 61700 To 61799



Assemblies include all parts shown in frames..

60700 To 60799
61700 To 61799



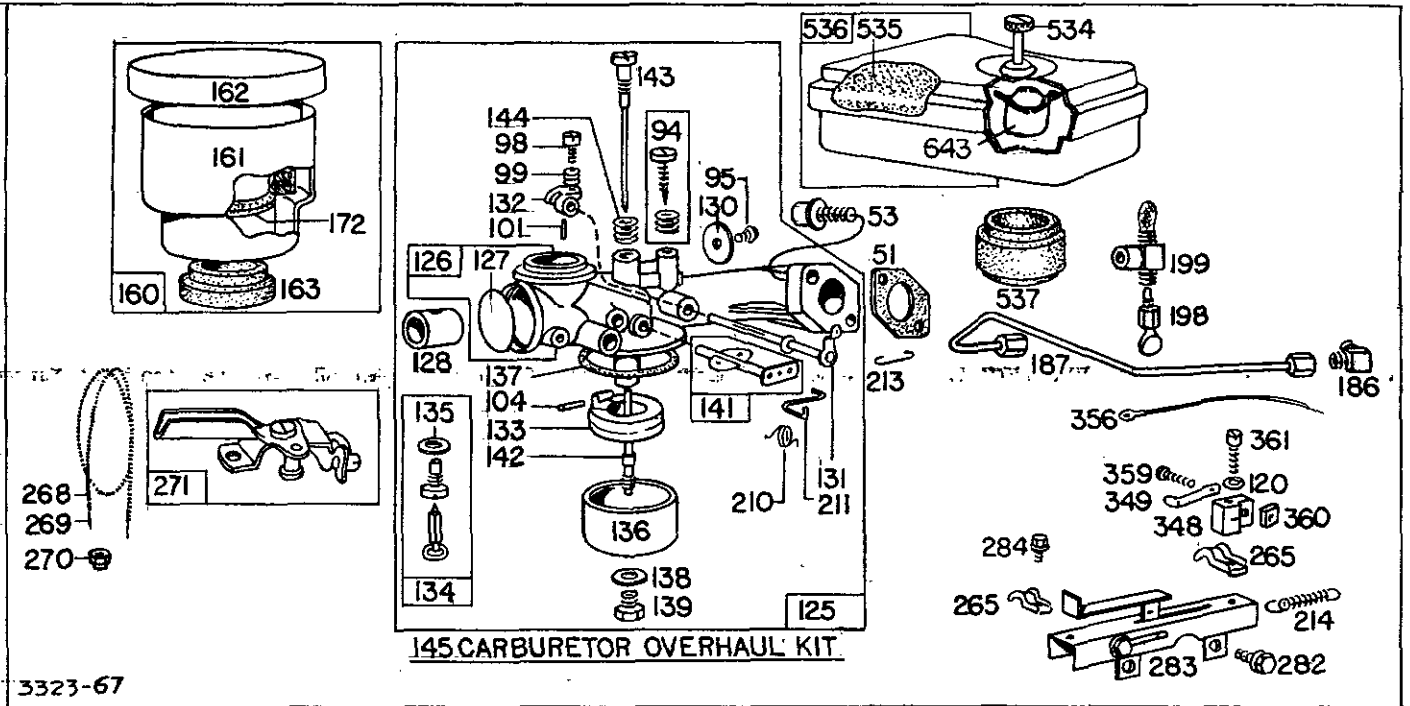
*** REQUIRES SPECIAL TOOLS TO INSTALL**

SEE REPAIR INSTRUCTION MANUAL

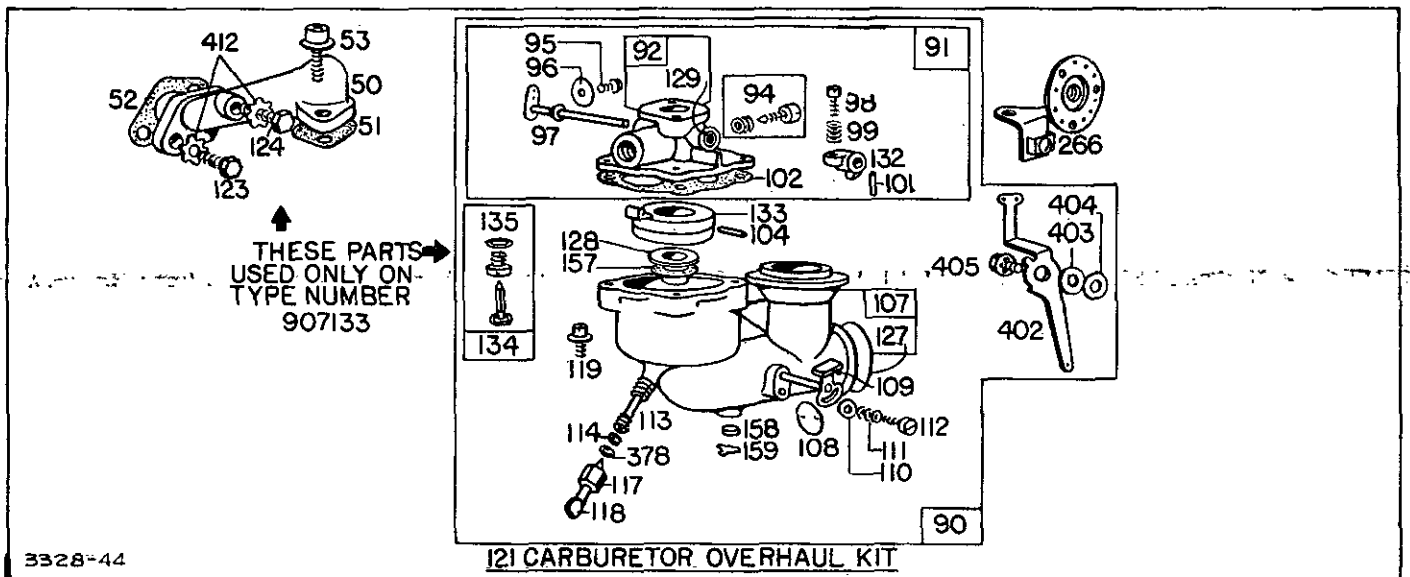
4300-47

Assemblies include all parts shown in frames.

60700 To 60799
61700 To 61799



Assemblies include all parts shown in frames.



Assemblies include all parts shown in frames.

| REF. NO. | PART NO. | DESCRIPTION | REF. NO. | PART NO. | DESCRIPTION | REF. NO. | PART NO. | DESCRIPTION |
|----------|----------|--|----------|----------|--|--|----------|--|
| 1 | 295450 | Cylinder Assembly Used on Model 60700 Series after Serial No. 5809080. Note: 293511 Cylinder Assy. Used on Model 60700 Series before Serial No. 5809090. | 16 | 260274 | Used on type Nos. 907119, 907128, 907129, 907553. Crankshaft Note: 26978 Crankshaft Used on type Nos. 907126, 907133, 907170, 907546. 26989 Crankshaft Used on type Nos. 907117, 907549. 260003 Crankshaft Used on type Nos. 907129, 907168, 907523, 907524, 907553. 260005 Crankshaft Used on type Nos. 907115, 907124, 907125, 907128, 907134, 907137, 907138, 907139, 907143, 907146, 907147, 907148, 907149, 907155, 907161, 907162, 907164, 907166, 907167, 907515, 907519, 907525, 907528, 907530, 907534, 907537, 907538, 907547, 907560. 260006 Crankshaft Used on type Nos. 907121, 907130, 907159, 907169, 907554. 260023 Crankshaft Used on type Nos. 907122, 907551. 260047 Crankshaft Used on type Nos. 907151, 907156, 907160. 260157 Crankshaft Used on type No. 907140. 260203 Crankshaft Used on type No. 907152. 260217 Crankshaft Used on type Nos. 907123, 907541. | 260232 Crankshaft Used on type Nos. 907120, 907550. 260246 Crankshaft Used on type Nos. 907113, 907116, 907132, 907158, 907548. 260273 Crankshaft Used on type Nos. 907110, 907112, 907114, 907510, 907512, 907545, 907557. | | |
| 296802 | | Cylinder Assembly Used on Model 61700 Series after Serial No. 5809280. Note: 295484 Cylinder Assy. Used on Model 61700 Series before Serial No. 5809290. | | | | 18 | 293512 | Sump-Oil Note: 293597 Sump-Oil Used on type Nos. 907123, 907128, 907541. |
| 2 | 293708 | Bushing-Cylinder Note: Requires special tools for installation. | | | | 19 | 293709 | Bushing-Oil Sump Note: Requires special tools for installation. |
| 3 | 89660 | Seal-Oil | | | | 20 | 291841 | Seal-Oil |
| 5 | 210812 | Head-Cylinder Note: 210209 Head-Cylinder Used on Model 60700 Series before Serial No. 5809090. Used on Model 61700 Series before Serial No. 5809290. | | | | 21 | 66768 | Plug-Oil Filler Note: 296768 Oil Minder Used on type Nos. 907164, 907166, 907541. |
| 6 | 22963 | Washer-Plain | | | | 22 | 93032 | Screw-Sump Mtg. Sem |
| 7 | *27670 | Gasket-Cylinder Head | | | | 23 | 293205 | Flywheel-Magneto (Used before Serial No. 6212310) Note: 295936 Flywheel- Magneto Used (before Serial No. 6212310) on type Nos. 907117, 907128, 907129, 907133, 907159, 907168, 907169, 907523, 907524, 907534, 907540, 907541, 907549, 907553. |
| 8 | 292833 | Breather-Valve Chamber | | | | 23A | 297949 | Flywheel-Magneto (Used after Serial No. 6212310) Note: 296884 Flywheel- Magneto Used (after Serial No. 6212310) on type Nos. 907117, 907128, 907129, 907159, 907169, 907170, 907541, 907560. |
| 9 | *27549 | Gasket-Valve Cover | | | | | | |
| 10 | 93394 | Screw-Breather Mtg. Sem | | | | | | |
| 11 | 66698 | Tube-Breather Note: 66578 Grommet- Breather Cover Used on type No. 907133. | | | | | | |
| 12 | *27586 | Gasket-Crankcase- .015" thick (Standard) | | | | | | |
| | *27617 | Gasket-Crankcase- .005" thick | | | | | | |
| | *27618 | Gasket-Crankcase- .009" thick | | | | | | |
| 13 | 91386 | Screw-Cylinder Head (2" long) | | | | | | |
| 14 | 92674 | Screw-Cylinder Head (2-3/8" long) | | | | | | |
| 15 | 91084 | Plug-Oil Drain Note: 93418 Plug-Oil Drain (Hex. Socket Head) | | | | | | |

* Included in Gasket Set-
Part No. 297275.

| REF. NO. | PART NO. | DESCRIPTION | REF. NO. | PART NO. | DESCRIPTION | REF. NO. | PART NO. | DESCRIPTION |
|----------|--------------------------------------|--|----------|----------|-------------|----------|----------|-------------|
| 24 | 61760 | Key-Flywheel | | | | | | |
| 25 | 295587 | Piston Assy. -Standard (for 2-3/8" Bore) Used on Model 60700 Series after Serial No. 5809080. | | | | | | |
| | Note: | 293400 Piston Assembly-Standard (for 2-5/16" Bore) Used on Model 60700 Series before Serial No. 5809090. | | | | | | |
| | | 295455 Piston Assembly-Standard (for 2-3/8" Bore) Used on Model 61700 Series after Serial No. 5809280. | | | | | | |
| | | 295479 Piston Assembly-Standard (for 2-5/16" Bore) Used on Model 61700 Series before Serial No. 5809290. | | | | | | |
| | 295588 | Piston Assy. -.010" O. S. (for 2-3/8" Bore) Used on Model 60700 Series after Serial No. 5809080. | | | | | | |
| | Note: | 293401 Piston Assembly-.010" O. S. (for 2-5/16" Bore) Used on Model 60700 Series before Serial No. 5809090. | | | | | | |
| | | 295456 Piston Assembly-.010" O. S. (for 2-3/8" Bore) Used on Model 61700 Series after Serial No. 5809280. | | | | | | |
| | | 295480 Piston Assembly-.010" O. S. (for 2-5/16" Bore) Used on Model 61700 Series before Serial No. 5809290. | | | | | | |
| | 295589 | Piston Assembly- .020" O. S. (for 2-3/8" Bore) Used on Model 60700 Series after Serial No. 5809080. | | | | | | |
| | | Note: | | | | | | |
| | | 293402 Piston Assembly-.020" O. S. (for 2-5/16" Bore) Used on Model 60700 Series before Serial No. 5809090. | | | | | | |
| | | 295457 Piston Assembly-.020" O. S. (for 2-3/8" Bore) Used on Model 61700 Series after Serial No. 5809280. | | | | | | |
| | | 295481 Piston Assembly-.020" O. S. (for 2-5/16" Bore) Used on Model 61700 Series before Serial No. 5809290. | | | | | | |
| | 295590 | Piston Assembly- .030" O. S. (for 2-3/8" Bore) Used on Model 60700 Series after Serial No. 5809080. | | | | | | |
| | Note: | 293403 Piston Assembly-.030" O. S. (for 2-5/16" Bore) Used on Model 60700 Series before Serial No. 5809090. | | | | | | |
| | | 295458 Piston Assembly-.030" O. S. (for 2-3/8" Bore) Used on Model 61700 Series after Serial No. 5809280. | | | | | | |
| | | 295482 Piston Assembly-.030" O. S. (for 2-5/16" Bore) Used on Model 61700 Series before Serial No. 5809290. | | | | | | |
| | MODEL SERIES | 60700 RING SETS: | | | | | | |
| | 26 | 294232 Ring Set-Standard Piston Used on Model 60700 Series after Serial No. 5809080. | | | | | | |
| | Note: | 293506 Ring Set- Standard Piston Used on Model 60700 Series before Serial No. 5809090. | | | | | | |
| | | 294224 Ring Set-.010" O. S. Piston Used on Model 60700 Series after Serial No. 5809080. | | | | | | |
| | Note: | 293507 Ring Set- .010" O. S. Piston Used on Model 60700 Series. | | | | | | |
| | | 294225 Ring Set-.020" O. S. Piston Used on Model 60700 Series after Serial No. 5809080. | | | | | | |
| | Note: | 293508 Ring Set- .020" O. S. Piston Used on Model 60700 Series before Serial No. 5809090. | | | | | | |
| | | 294226 Ring Set-.030" O. S. Piston Used on Model 60700 Series after Serial No. 5809080. | | | | | | |
| | Note: | 293509 Ring Set- .030" O. S. Piston Used on Model 60700 Series before Serial No. 5809090. | | | | | | |
| | MODEL 61700 SERIES RING SETS: | | | | | | | |
| | 295657 | Ring Set-Standard Piston Used on Model 61700 Series after Serial No. 5809280. | | | | | | |
| | Note: | 295649 Ring Set- Standard Piston Used on Model 61700 Series before Serial No. 5809290. | | | | | | |
| | | 295658 Ring Set-.010" O. S. Used on Model 61700 Series after Serial No. 5809280. | | | | | | |
| | Note: | 295650 Ring Set- .010" O. S. Piston Used on Model 61700 Series before Serial No. 5809290. | | | | | | |
| | | 295659 Ring Set-.020" O. S. Piston Used on Model 61700 Series after Serial No. 5809280. | | | | | | |

| REF. NO. | PART NO. | DESCRIPTION | REF. NO. | PART NO. | DESCRIPTION | REF. NO. | PART NO. | DESCRIPTION |
|----------|---------------------|--|----------|---------------------|---|----------|----------|--|
| | Note: 295651 | Ring Set—.020" O. S. Used on Model 61700 Series before Serial No. 5809290. | 56 | 294088 | Pulley—Rewind Starter | 101 | 93043 | Pin—Throttle Stop |
| | 295660 | Ring Set—.030" O. S. Piston Used on Model 61700 Series after Serial No. 5809280. | 57 | 294303 | Spring—Rewind Starter | 102 | ‡68857 | Gasket—Carburetor Body |
| | Note: 295652 | Ring Set—.030" O. S. Used on Model 61700 Series before Serial No. 5809290. | 58 | 66384 | Rope—Rewind Starter Note: If longer rope is needed, order No. 66514 and cut to required length. | 104 | ‡‡23114 | Pin—Float Hinge |
| 27 | 26062 | Lock—Piston | 59 | 230228 | Pin—Starter Rope | 107 | 293871 | Body—Lower Carburetor (with breather tube) |
| 28 | 291925 | Pin Assembly—Piston—Standard | 60 | 393152 | Grip—Starter Rope | 108 | 220897 | Valve—Choke |
| | 291926 | Pin Assembly—Piston—.005" O. S. | 61 | 66528 | Bumper—Starter Pulley | 109 | 294874 | Shaft and Lever Assembly—Choke |
| 29 | 293505 | Rod Assembly—Connecting | 66 | 295684 | Clutch Assembly—Rewind and Wind-up Starter | 110 | 220899 | Washer—Choke Lever |
| 31 | 220460 | Lock—Connecting Rod Screw | 67 | 210400 | Housing—Starter Clutch | 111 | 26229 | Spring—Choke Lever |
| 32 | 92296 | Screw—Connecting Rod | 68 | 63770 | Ball—Clutch | 112 | 23270 | Screw—Choke Lever |
| 33 | 296676 | Valve—Exhaust | 70 | 296597 | Ratchet—Rewind and Wind-up Starter | 113 | ‡23222 | Nozzle—Carburetor |
| 34 | 296677 | Valve—Intake Note: 23386 Valve—Intake Used before Serial No. 5809090 on Model 60700 Series and on Model 61700 Series before Serial No. 5809290. | 71 | 221301 | Washer—Clutch Retainer Used with square shank ratchet. | 114 | ‡68887 | Packing—Needle Valve |
| 35 | 260552 | Spring—Intake Valve | | Note: 220575 | Washer—Clutch Retainer Used with 7 point shank ratchet. | 117 | ‡23227 | Nut—Needle Valve Packing |
| 36 | 26478 | Spring—Exhaust Valve | 72 | 26032 | Spring—Clutch Retainer | 118 | 230005 | Valve—Needle |
| 40 | 93312 | Retainer—Valve Spring Used with valves with groove in stem. Note: 23184 Retainer—Valve Spring 23187 Pin—Valve Spring Retainer Used with valves with hole in stem. | 73 | 220648 | Screen—Starter Pulley | 119 | 93347 | Screw—Throttle Housing Mounting Sem |
| 45 | 230173 | Tappet—Valve | 74 | 93042 | Screw—Rotating Screen Mounting Sem | 120 | 92290 | Washer—Lock—No. 10 x 1/16 x 3/64" |
| 46 | 210453 | Gear—Cam | 75 | 220865 | Washer—Spring (Used to lock starter clutch) | 121 | 291691 | Carburetor Overhaul Kit |
| 47 | 294652 | Oil Slinger Gear and Bracket | 76 | 66738 | Washer—Ratchet Sealing | 123 | 90700 | Screw—Cap, Hex. Hd.—1/4-20 x 3/4" |
| 50 | 210344 | Elbow—Intake | 78 | 93014 | Screw—Pulley Screen Mounting Sem | 124 | 92636 | Screw—Cap, Hex. Hd.—1/4-20 x 2" |
| 51 | *68987 | Gasket—Carb. Mtg. | 90 | 294348 | Carburetor Assembly | 125 | 294716 | Carburetor Assembly (Choke-A-Matic) Note: 294713 Carburetor Assembly (Manual Choke) Used on type Nos. 907110, 907111, 907112, 907113, 907114, 907115, 907116, 907117, 907118, 907119, 907120, 907121, 907122, 907123, 907124, 907126, 907129, 907130, 907132, 907134, 907135, 907137, 907149, 907152, 907153, 907158, 907159, 907162, 907168, 907169, 907170, 907510, 907511, 907512, 907519, 907521, 907523, 907524, 907527, 907529, 907531, 907532, |
| 52 | *27355 | Gasket—Carb. Mtg. | 91 | 293889 | Body Assembly—Upper Carburetor | | | |
| 53 | 93353 | Screw—Carb. Mtg. | 92 | 99634 | Body—Upper Carburetor | | | |
| | | | 94 | †292681 | Valve Assembly—Carburetor Idle | | | |
| | | | 95 | 93038 | Screw—Choke and Throttle Valve Mounting Sem | | | |
| | | | 96 | 22036 | Valve—Throttle | | | |
| | | | 97 | 293710 | Shaft and Lever Assembly—Throttle | | | |
| | | | 98 | 91920 | Screw—Machine, Fill. Hd.—8-32 x 5/8" | | | |
| | | | 99 | †26157 | Spring—Throttle Adj. | | | |
| | | | 100 | 61967 | Stop—Throttle Lever | | | |

* Included in Gasket Set—Part No. 297275.

† Included in Carburetor Overhaul Kit—Part No. 294714.

‡ Included in Carburetor Overhaul Kit—Part No. 291691.

60700 To 60799
61700 To 61799

REF. NO. 125 - 180

| REF. NO. | PART NO. | DESCRIPTION | REF. NO. | PART NO. | DESCRIPTION | REF. NO. | PART NO. | DESCRIPTION | | | | | | |
|----------|----------|--|--|--|--|--|--|---|--|----------|---|--|--------|---|
| 126 | 294717 | 907540, 907541, 907545, 907546, 907547, 907548, 907549, 907550, 907551, 907553, 907554, 907557. | 133 | 293477 | Float-Carburetor | 142 | † 294481 | Nozzle-Carburetor | | | | | | |
| | | Note: 294712 Body Assy. - Carburetor (Choke-A-Matic) (Manual Choke) Used on type Nos. 907110, 907111, 907112, 907113, 907114, 907115, 907116, 907117, 907118, 907119, 907120, 907121, 907122, 907123, 907124, 907126, 907129, 907130, 907132, 907134, 907135, 907137, 907149, 907152, 907153, 907158, 907159, 907162, 907168, 907169, 907170, 907510, 907511, 907512, 907519, 907521, 907523, 907524, 907527, 907529, 907531, 907532, 907540, 907541, 907545, 907546, 907547, 907548, 907549, 907550, 907551, 907553, 907554, 907557. | 134 | † ‡ 293478 | Valve and Seat-Fuel Inlet | 143 | † 294473 | Valve-Needle | | | | | | |
| | | | 135 | † ‡ 68877 | Gasket-Fuel Inlet Valve | 144 | 260256 | Spring-Needle Valve | | | | | | |
| | | | 136 | 220761 | Bowl-Float | 145 | 294714 | Carburetor Overhaul Kit | | | | | | |
| | | | 137 | † 27682 | Gasket-Float Bowl | 157 | 68897 | Gasket-Carburetor Venturi | | | | | | |
| | | | 138 | † 221172 | Washer-Float Bowl Mounting | 158 | 27590 | Filter-Carburetor Drain | | | | | | |
| | | | 139 | 93086 | Screw-Carburetor Bowl Mounting | 159 | 220521 | Retainer-Carburetor Drain | | | | | | |
| | | | Note: 294874 Valve, Shaft and Lever Assy. - Choke Used on type Nos. 907110, 907111, 907112, 907113, 907114, 907115, 907116, 907117, 907118, 907119, 907120, 907121, 907122, 907123, 907124, 907126, 907129, 907130, 907132, 907134, 907135, 907137, 907149, 907152, 907153, 907158, 907159, 907162, 907168, 907169, 907170, 907510, 907511, 907512, 907519, 907521, 907523, 907524, 907527, 907529, 907531, 907532, 907540, 907541, 907545, 907546, 907547, 907548, 907549, 907550, 907551, 907553, 907554, 907557. | 141 | 297024 | Valve, Shaft and Lever Assembly-Choke (Choke-A-Matic) | 160 | 294872 | Cleaner Assy. - Air (with mounting stud) | | | | | |
| | | | | Note: 294868 Cleaner Assembly-Air (with mounting stud) Used on type No. 907133. | Note: 294874 Valve, Shaft and Lever Assy. - Choke Used on type Nos. 907110, 907111, 907112, 907113, 907114, 907115, 907116, 907117, 907118, 907119, 907120, 907121, 907122, 907123, 907124, 907126, 907129, 907130, 907132, 907134, 907135, 907137, 907149, 907152, 907153, 907158, 907159, 907162, 907168, 907169, 907170, 907510, 907511, 907512, 907519, 907521, 907523, 907524, 907527, 907529, 907531, 907532, 907540, 907541, 907545, 907546, 907547, 907548, 907549, 907550, 907551, 907553, 907554, 907557. | Note: 294874 Valve, Shaft and Lever Assy. - Choke Used on type Nos. 907110, 907111, 907112, 907113, 907114, 907115, 907116, 907117, 907118, 907119, 907120, 907121, 907122, 907123, 907124, 907126, 907129, 907130, 907132, 907134, 907135, 907137, 907149, 907152, 907153, 907158, 907159, 907162, 907168, 907169, 907170, 907510, 907511, 907512, 907519, 907521, 907523, 907524, 907527, 907529, 907531, 907532, 907540, 907541, 907545, 907546, 907547, 907548, 907549, 907550, 907551, 907553, 907554, 907557. | Note: 294868 Cleaner Assembly-Air (with mounting stud) Used on type No. 907133. | Note: 294872 Cleaner Assy. - Air (with mounting stud) Used on type No. 907133. | | | | | | |
| | | | | | | | | | 161 | 293991 | Bowl-Air Cleaner | 162 | 294802 | Cover and Filter-Air Cleaner (with mounting stud) |
| | | | | | | | | | 163 | 27660 | Gasket-Air Cleaner Mounting | | | |
| | | | | | | | | | 172 | 27795 | Gasket-Air Cleaner Tank Assy. - Fuel (Not available-Order Blower Housing with Integral Tank-See Ref. No. 304) | 180 | | Fuel Tank Assy. - Fuel (Not available-Order Blower Housing with Integral Tank-See Ref. No. 304) |
| | | | | | | | | | 127 | † 220751 | Plug-Welch | | | |
| | | | | | | | | | 128 | 210528 | Venturi-Carburetor | Note: 220352 Plug-Welch Used on type No. 907133. | 21216 | Venturi-Carburetor Used on type No. 907133. |
| | | | | | | | | | | | 129 | | | |
| | | | | | | | | | 130 | 220791 | Valve-Throttle | Note: 23270 Screw-Choke Lever (Ref. No. 112)- 26229 Spring-Choke Lever (Ref. No. 111) 220886 Valve-Choke 220899 Washer (Ref. No. 110) | | |
| | | | | | | | | | 131 | 294437 | Shaft and Lever Assembly-Throttle | | | |
| | | | | | | | | | 132 | 61967 | Stop-Throttle | | | |

† Included in Carburetor Overhaul Kit-Part No. 294714.

‡ Included in Carburetor Overhaul Kit-Part No. 291691

| REF. NO. | PART NO. | DESCRIPTION | REF. NO. | PART NO. | DESCRIPTION | REF. NO. | PART NO. | DESCRIPTION |
|----------|----------|---|----------|----------|---|----------|----------|--|
| 181 | 293270 | Cap—Fuel Tank Note: 69221 Cap—Fuel Tank Used on type Nos. 907534, 907560. | 210 | 260136 | Spring—Choke Return (Choke-A-Matic) | | | 907124, 907126, 907129, 907130, 907132, 907134, 907135, 907137, |
| 186 | 66111 | Connector—Fuel Pipe Note: 92427 Connector— Fuel Pipe Used on type No. 907133. | 211 | 260137 | Link—Choke Return (Choke-A-Matic) | | | 907149, 907152, 907153, 907158, 907159, 907162, 907168, 907169, |
| 187 | 294539 | Pipe—Fuel Note: Fuel Pipes on type Nos. 907139, 907534 and 907560 are fur- nished by the Equip- ment Manufacturer. 293257 Pipe—Fuel Used on type No. 907133. | 213 | 260120 | Link—Governor Note: 26941 Link—Governor Used on type No. 907133. | | | 907170, 907510, 907511, 907512, 907519, 907521, 907523, 907524, 907527, 907529, 907531, 907532, 907540, 907541, 907545, 907546, 907547, 907548, 907549, 907550, 907551, 907553, 907554, 907557. |
| 198 | 293934 | Valve—Fuel Shut-off Note: 295913 Valve—Fuel Shut-off Used on type No. 907534. | 214 | 260179 | Spring—Governor. Note: 26925 Spring—Governor Used on type No. 907133. 260715 Spring— Governor Used on type Nos. 907159, 907168. | 284 | 93108 | Screw—Clamp Mounting |
| 199 | 292797 | Outlet—Fuel Tank (includes strainer) Note: 99910 Filter Assembly—Fuel Used on type Nos. 907534, 907560. Uses: 68477 Gasket— Filter Bowl 298683 Bowl— Filter 99665 Yoke— Filter Bowl 99909 Cover Assy.—Filter Includes: 22547 Screen— Filter 53029 Conn.— Fuel Pipe 295913 Valve— Shut-off | 264 | 90355 | Nut—Hex.—No. 10-32 | 284 | 93108 | Screw—Clamp Mounting |
| 200 | 294617 | Blade—Governor (Used before Serial No. 6212310) Note: 293513 Blade—Gov. Used on type No. 907133. | 265 | 220796 | Clamp—Remote Control Casing | 297 | 91811 | Locknut—Exhaust Elbow |
| 200A | 297309 | Blade—Governor (Used after Serial No. 6212310) | 266 | 290062 | Control—Throttle | 298 | 220859 | Locknut—Muffler |
| | | | 267 | 93351 | Screw—Clamp Mtg. | 299 | 294441 | Muffler—Exhaust (Lo-Tone) |
| | | | 268 | 66986 | Casing—Control Wire— 48" long Note: If longer casing is needed, specify length in inches; if a shorter casing is needed order No. 66986 and cut to required length. | 300 | 89966 | Muffler—Exhaust Note: 292054 Muffler— Exhaust Used on type Nos. 907129, 907132, 907133, 907134, 907540, 907553. |
| | | | 269 | 26099 | Wire—Control, 54" long Note: If longer wire is needed, specify length in inches; if shorter wire is needed order No. 26099 and cut to required length. | 303 | 91810 | Elbow—Exhaust (45° Street) Note: 91812 Elbow—Exhaust (90° Street) Used on type Nos. 907128, 907528. |
| | | | 270 | 63426 | Locknut—Control Wire Casing | 304 | 295627 | Blower Housing with Fuel Tank (For Rewind Starter) Note: 294260 Housing— Blower (For Rewind Starter) Used on type No. 907534, 294268 Blower Hous- ing with Fuel Tank (For Rope Starter) Used on Model 60701, 61701 Series. |
| | | | 271 | 290568 | Lever Assy.—Control | | | |
| | | | 282 | 93106 | Screw—Speed Control Mounting Sem | | | |
| | | | 283 | 294946 | Control—Speed (Used with Choke-A- Matic remote control) Note: 294817 Control—Speed Used on type Nos. 907110, 907111, 907112, 907113, 907114, 907115, 907116, 907117, 907118, 907119, 907120, 907121, 907122, 907123, | | | |

60700 To 60799
61700 To 61799

REF. NO. 304 - 403

| REF. NO. | PART NO. | DESCRIPTION | REF. NO. | PART NO. | DESCRIPTION | REF. NO. | PART NO. | DESCRIPTION |
|----------|----------|---|----------|----------|--|----------|----------|--|
| | | 294282 Housing—Blower (For Rewind Starter) Used on type No. 907139. | 311 | 295697 | Brush—Starter Motor | 348 | 66898 | Block—Switch |
| | | 295329 Blower Housing and Brackets Assy. with Fuel Tank (For Electric Starter) | 312 | 260404 | Spring—Brush | 349 | 220902 | Blade—Switch |
| | | 295628 Blower Housing with Fuel Tank (For Rewind Starter) Used on type Nos. 907131, 907135, 907516, 907518, 907522, 907526, 907555. | 321 | 210711 | Pulley—Electric Starter Note: When ordering this pulley, Order No. 67238 Vee—Belt also. | 356 | 296185 | Wire—Ground |
| | | 295631 Blower Housing with Fuel Tank (For Rewind Starter) Used on type Nos. 907119, 907132, 907137, 907138, 907141, 907159, 907520. | 323 | 67238 | Vee—Belt Note: 67028 Vee—Belt Used on engines before Serial No. 5903020. | 358 | 297275 | Gasket Set |
| | | 295635 Blower Housing with Fuel Tank (For Rewind Starter) Used on type No. 907140. | 324 | 220648 | Screen—Electric Starter Pulley | 359 | 93149 | Screw—Machine, Rd. Hd.—5 - 40 x 3/8 |
| | | 296324 Blower Housing with Fuel Tank (For Wind-up Starter) Used on Model 60706 and 61706 Series Engines. | 325 | 293959 | Starter Pulley with Screen | 360 | 93150 | Nut—Square—5 - 40 |
| | | 296940 Blower Housing with Fuel Tank (For Rewind Starter) Used on type No. 907168. | 328 | 221039 | Guard—Belt | 361 | 91432 | Screw—Machine, Fill. Hd.—10 - 32 x 7/8" |
| 305 | 93158 | Screw—Tank and Blower Housing Mounting Sem | 329 | 93014 | Screw—Guard Mounting Sem | 362 | 291630 | Shield—Spark Plug Note: 66538 Elbow—Spark Plug Used on type Nos. 907164, 907166, 907560. |
| 306 | 220478 | Shield—Cylinder | 330 | 29878 | Rope—Starter | 363 | 19069 | Puller—Flywheel (Optional Accessory) |
| 307 | 93042 | Screw—Cylinder Shield Mounting Sem | 331 | 62577 | Washer—Flywheel | 364 | 295698 | Plug—Connector |
| 308 | 220581 | Cover—Cylinder Head | 332 | 91708 | Nut—Flywheel | 365 | 93241 | Screw—Plug Mounting (long) |
| 310 | 93239 | Bolt—Case | 333 | 291617 | Armature—Magneto (Used before Serial No. 6212310) | 366 | 93240 | Screw—Plug Mounting (short) |
| | | | 333A | 297307 | Armature Assembly (Used after Serial No. 6212310) | 370 | 66432 | Washer—Plain |
| | | | 334 | 93381 | Screw—Armature Mounting Sem | 371 | 260275 | Restrictor—Belt |
| | | | 335 | 93381 | Screw—Coil Lead and Armature Mounting Sem | 372 | 220477 | Clamp—Condenser |
| | | | 336 | 292149 | Cable—Ignition Note: 294519 Cable—Ignition Used on type No. 907169. | 373 | 92987 | Nut—Condenser Terminal |
| | | | | | 294577 Cable—Ignition Used on type No. 907128. | 374 | 92813 | Washer—Lock—Shakeproof |
| | | | 337 | 29693 | Plug—Spark (with gasket) | 375 | 294628 | Breaker Points and Condenser Set Note: 293999 Wire—Condenser Ground |
| | | | 338 | 29806 | Gasket—Spark Plug | | | 92791 Washer—Lock Shakeproof (2) |
| | | | 340 | 26018 | Spring—Breaker Arm | | | 90576 Nut—Hex.—8 - 32 |
| | | | 341 | 93381 | Screw—Contact Flinger Post Mounting Sem | | | 90072 Screw—Machine Rd. Hd.—8 - 32 x 5/8 |
| | | | 342 | 65704 | Plunger—Breaker Point | 377 | 93065 | 66895 Insulator—Terminal Used on type No. 907133. |
| | | | 344 | 93042 | Screw—Condenser Clamp Mounting Sem | 378 | ‡22032 | Key—Woodruff No. Washer—Needle Valve Packing |
| | | | 345 | 220366 | Cover—Breaker Point and Condenser | 383 | 89838 | Wrench—Spark Plug |
| | | | 346 | 93014 | Screw—Dust Cover Mounting Sem | 402 | 220542 | Lever—Governor Control |
| | | | 347 | 220884 | Switch—Stop | 403 | 220543 | Washer—Governor Control Lever (Spring Type) |

‡ Included in Carburetor Overhaul Kit—Part No. 291691.

| REF. NO. | PART NO. | DESCRIPTION | REF. NO. | PART NO. | DESCRIPTION | REF. NO. | PART NO. | DESCRIPTION | | |
|----------|---------------------|---|----------|---------------------|---|----------|---------------------|--|-------|-------------------|
| 404 | 22539 | Washer—Governor Control Lever | | Note: 296327 | Cup and Spring Assy. | 513 | 296567 | Clutch Assy.—Electric Starter | | |
| 405 | 93008 | Screw—Governor Control Lever Mtg. | | | Used on earlier model engines. | 515 | 260537 | Spring—Ratchet Pawl | | |
| 406 | 260255 | Spring—Breather Tube | 456 | 221222 | Plate—Retainer | 516 | 260374 | Spring—Connector (Condenser Post) | | |
| 407 | 220918 | Crown—Blower Housing | 457 | 296264 | Hub and Spring Assy. Used on earlier model engines. | 521 | 297973 | Shielding—Ignition Cable (Used on engines with ignition cables molded into coils.) | | |
| | Note: 220928 | Crown—Blower Housing (Less sector hole) Used on type Nos. 907131, 907136, 907157, 907515, 907516, 907526, 907527, 907535, 907536, 907538, 907542, 907543, 907555. | 458 | 298431 | Handle Assembly—Cranking | | | 534 | 93324 | Screw—Air Cleaner |
| 408 | 93157 | Screw—Self Tapping | 459 | 221332 | Pawl—Ratchet (Single Acting) | | Note: 230058 | Stud—Air Cleaner | | |
| 409 | 294930 | Crown Sector and Lever Assembly | | Note: 221220 | Pawl—Ratchet (Double Acting) Used on earlier model engines. | | 92067 | Nut—Wing | | |
| | Note: 294931 | Crown Sector and Lever Assembly Used on type Nos. 907125, 907127, 907151, 907160, 907520, 907552. | 460 | 93272 | Retainer—Ratchet Pawl | | 90355 | Nut—Hexagon Used on type Nos. 907169, 907170. | | |
| 410 | 260184 | Link—Speed Control | 461 | 93298 | Screw—Handle Mtg. | 535 | 27987 | Element—Air Cleaner | | |
| 412 | 93028 | Washer—Lock—Shakeproof | 462 | 221237 | Washer—Handle Mtg. | 536 | 296766 | Cleaner Assy.—Air | | |
| 455 | 296455 | Cup, Hub and Spring Assy. | 463 | 296445 | Holder Assembly—Flywheel | 537 | 27994 | Gasket—Air Cleaner | | |
| | | | 464 | 93291 | Rivet—Holder Assy. Mtg. (2) | 544 | 296769 | Armature—Electric Starter | | |
| | | | 465 | 221226 | Washer—Holder Assy. Mtg. (2) | 545 | 296770 | Case Assy.—Long Shaft End | | |
| | | | 466 | 93272 | Retainer—Holder Control Knob | 546 | 296775 | Case Assy.—Short Shaft End | | |
| | | | 467 | 211017 | Knob—Control | 547 | 270025 | Washer—Fibre | | |
| | | | 508 | 93294 | Screw—Blower Housing Mounting Semi | 548 | 221381 | Washer—Thrust (Steel) | | |
| | | | | | | 643 | 221321 | Cup—Air Cleaner | | |
| | | | | | | 822 | 297518 | Starter Assy.—Wind-Up | | |