

80200 to 80299

Illustrated Parts List

Model Series

80200 to 80299

TYPE NUMBERS
5630, 8044, 8111,
8130 through 8142
8544, 8611
8630 through 8651
8700 through 8705

TO FIND

THE CORRECT NUMBER OF THE PART YOU NEED:

FOLLOW THE INSTRUCTIONS BELOW

- A. Refer to Engine Model, Type and Code Number that is stamped on the blower housing of engine. Engine type numbers such as 012301 are listed herein only as 0123. The two digits (01 or 02, etc.) to the right of the space are not needed for parts identification. Then use the Illustrated Parts List covering the Model Series.
- B. Refer to Illustrated Parts section and compare the old part with illustration. The number on the illustration is the Reference Number. Assemblies include all parts shown in frames. All parts shown in assembly frames on which individual reference numbers are given can be purchased separately.
- C. After the Reference Number has been identified, refer to the Numerical Parts List, where Reference and Master Part Number are listed. **THE MASTER PART IS USED ON ALL TYPE NUMBERS EXCEPT THOSE TYPE NUMBERS UNDER "NOTE".**
- D. If a "Note" appears below the Master Part Number, this means that this part differs from the Master Part for certain types. If the Type number is listed under "Note", order the part referred to.
- E. If the Engine Type Number does not appear after any part number listed under "Note", use the Master Part Number.
- F. For Type Numbers higher than those covered by this book, please refer to the factory if you are unable to identify the part by comparison.

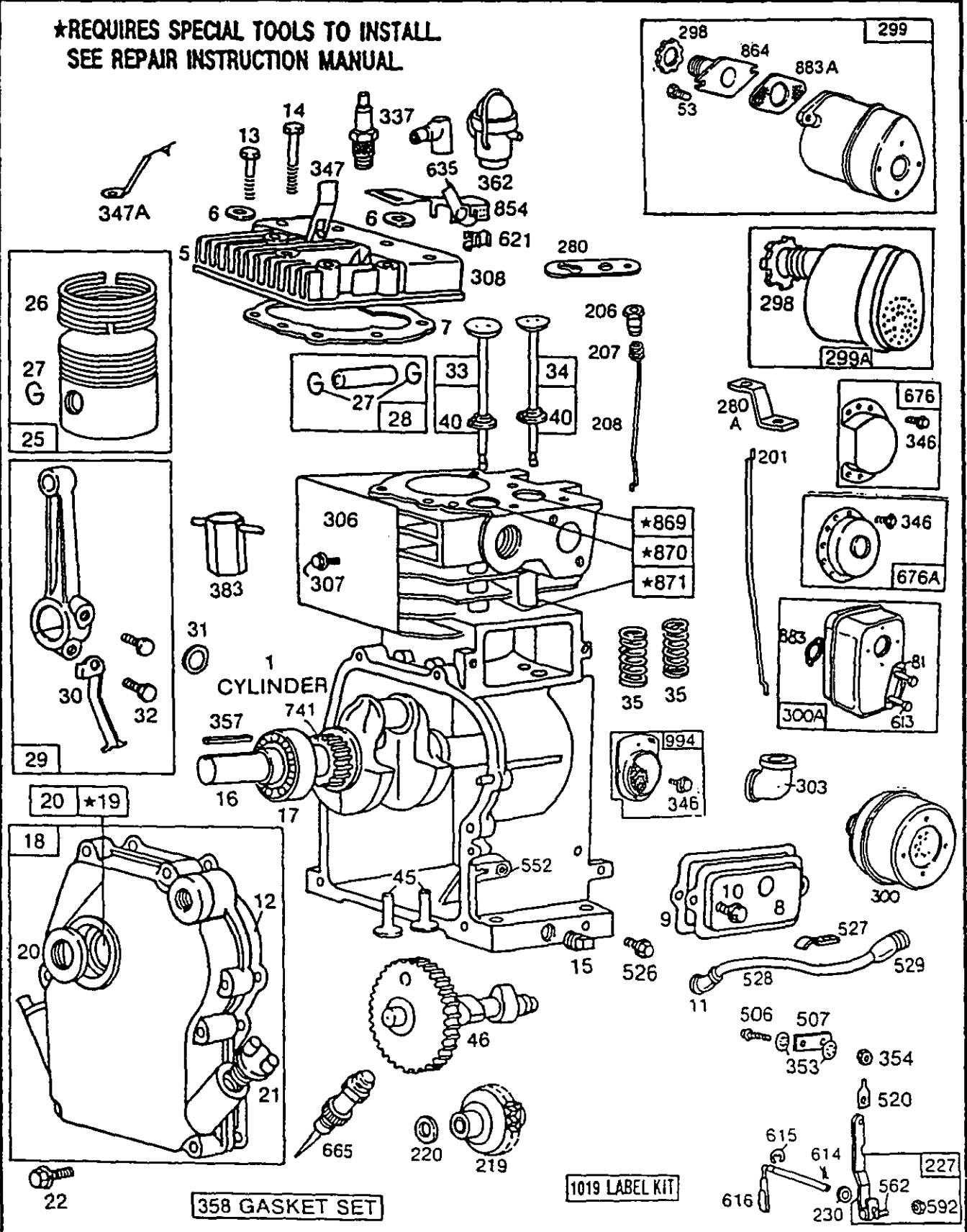
PRINTED IN U.S.A.

COPYRIGHT ©

BRIGGS & STRATTON

80200 to 80299

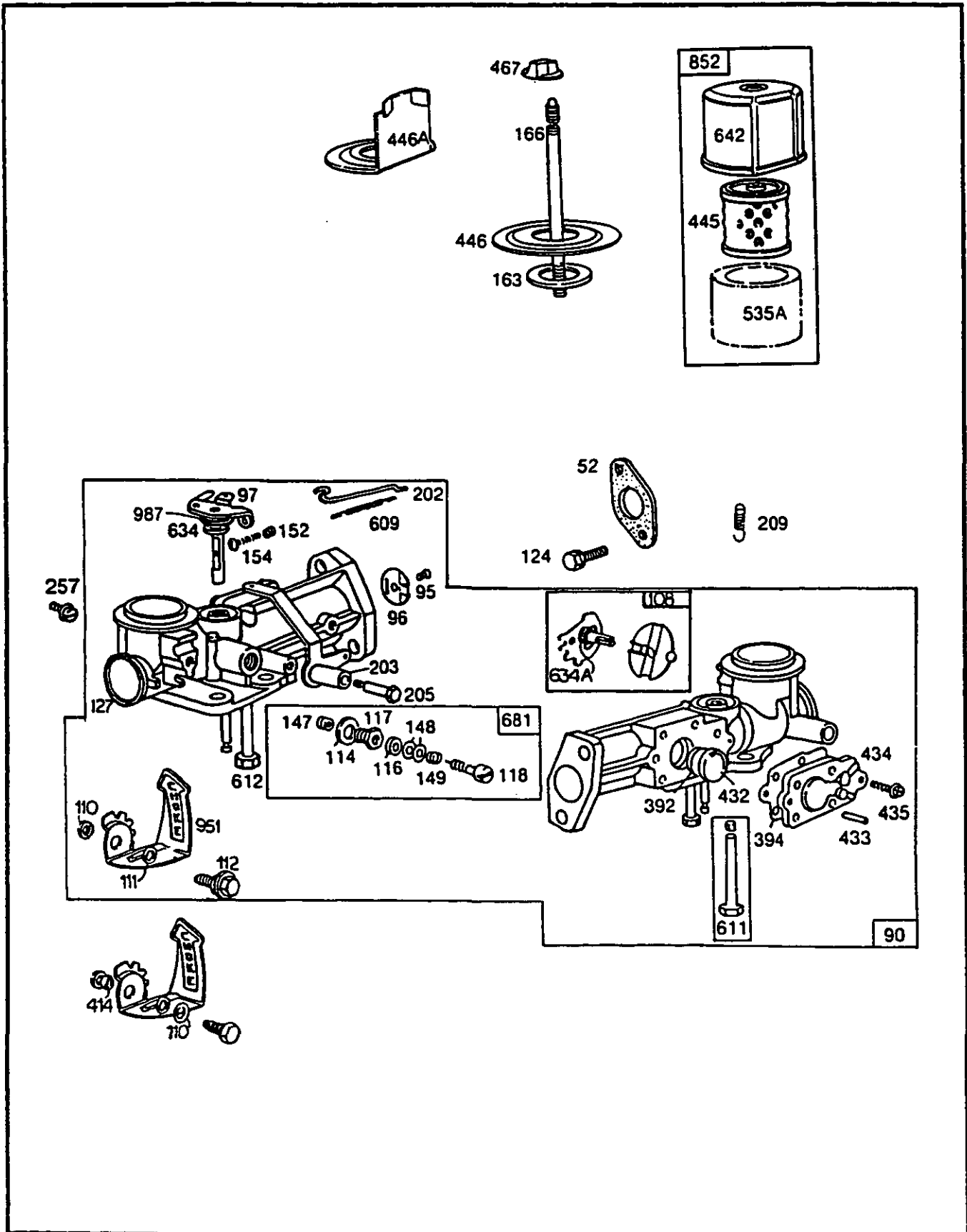
***REQUIRES SPECIAL TOOLS TO INSTALL.
SEE REPAIR INSTRUCTION MANUAL**



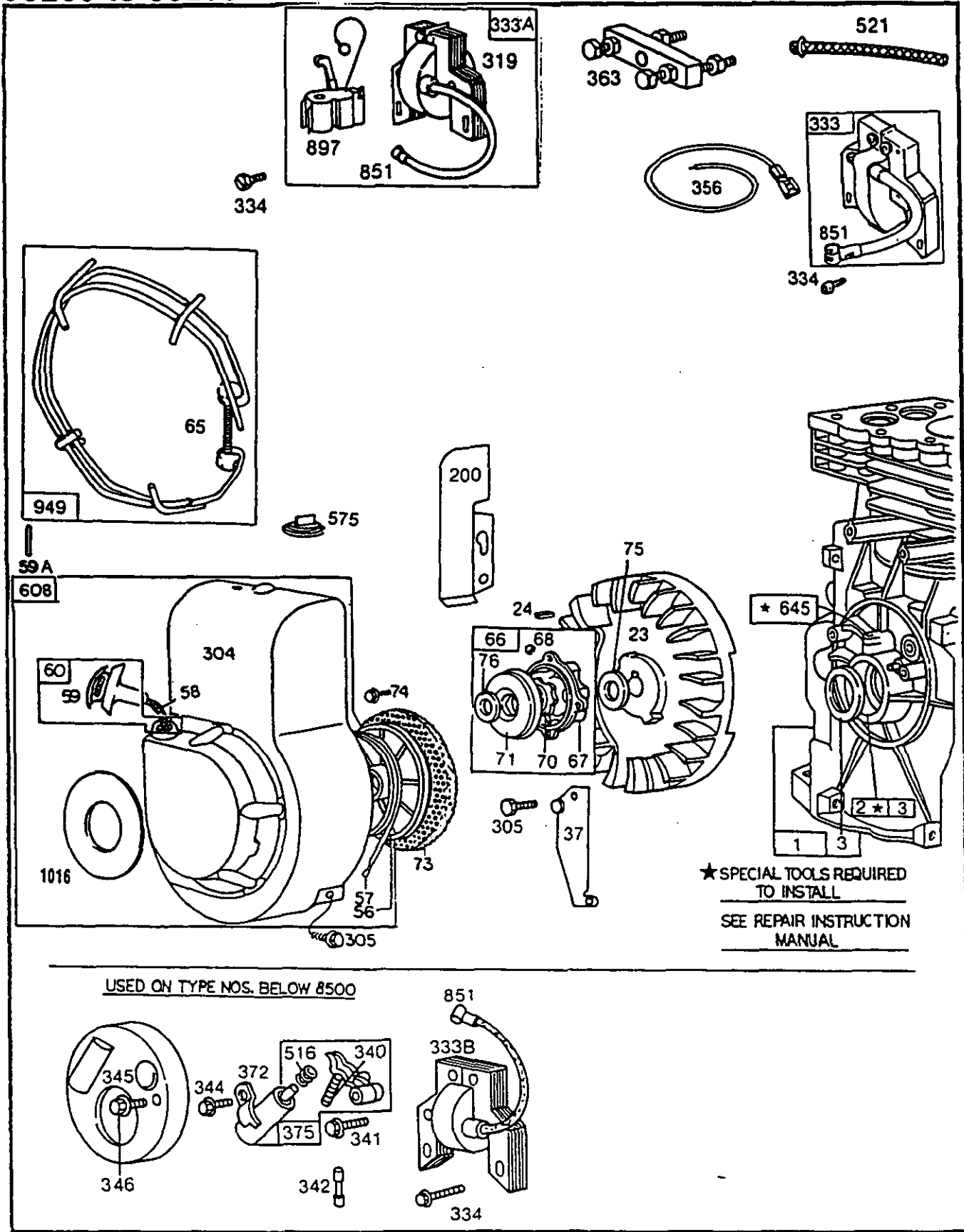
8184-1

Assemblies include all parts shown in frames.

109

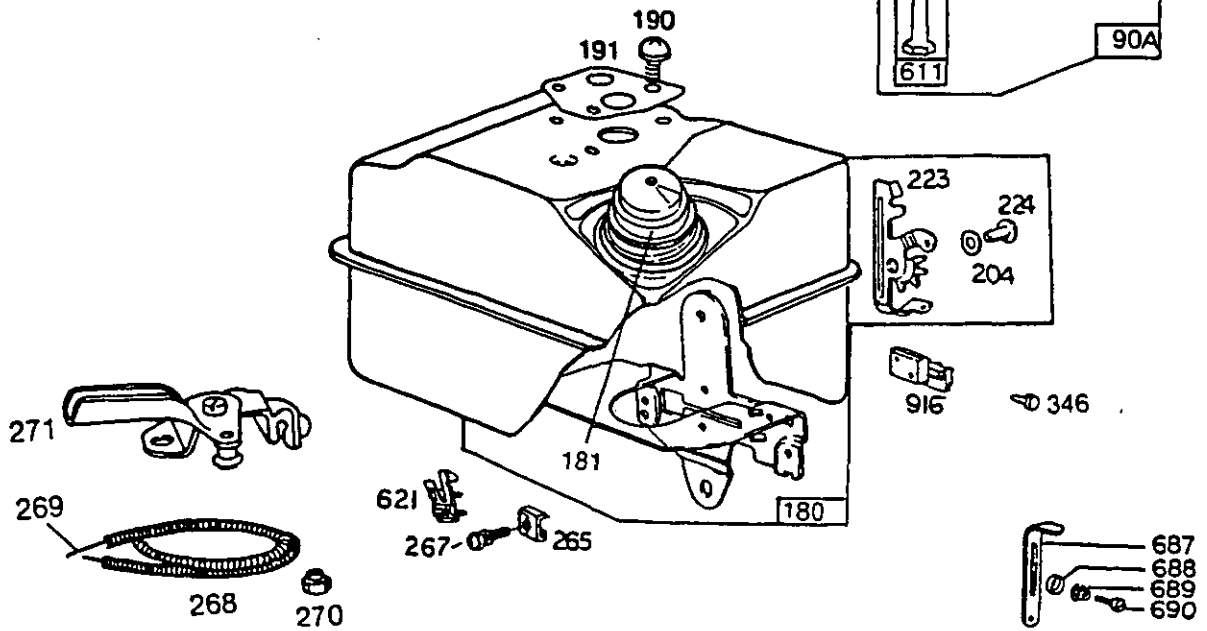
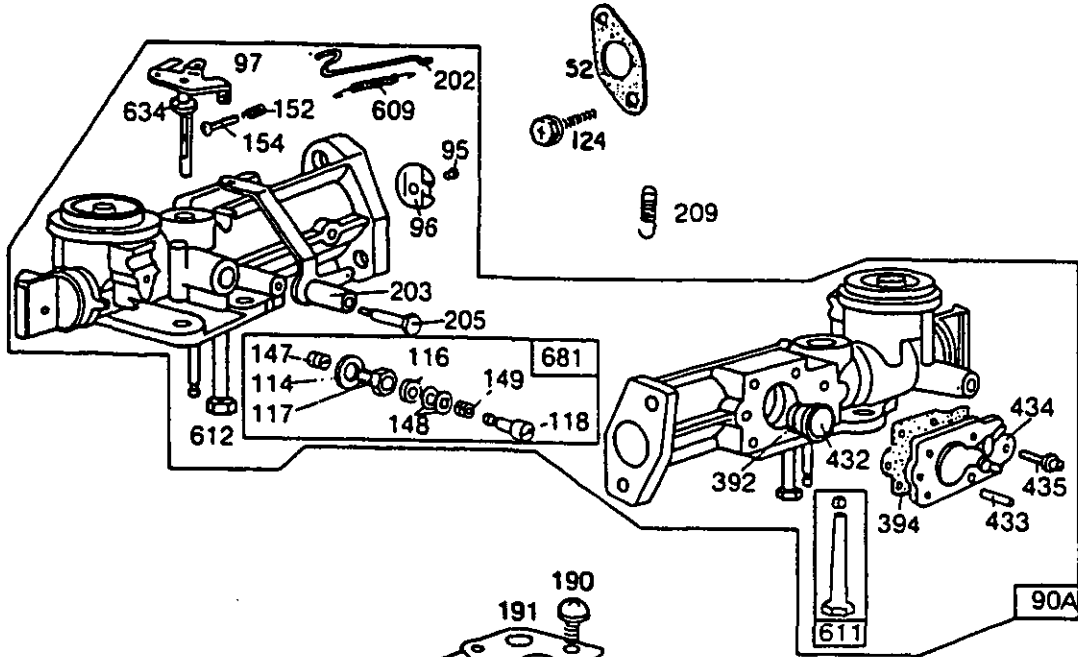
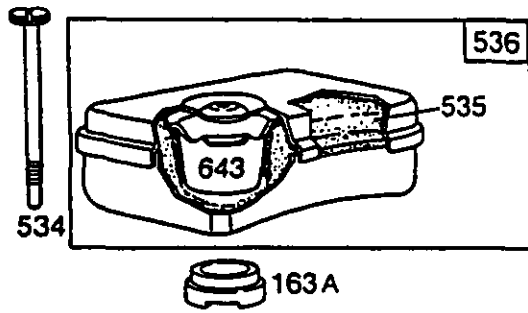


80200 to 80299



★ SPECIAL TOOLS REQUIRED TO INSTALL
SEE REPAIR INSTRUCTION MANUAL

USED ON TYPE NOS. BELOW 8500



80200 to 80299

REF. NO.	PART NO.	DESCRIPTION	REF. NO.	PART NO.	DESCRIPTION	REF. NO.	PART NO.	DESCRIPTION	
1	395879	Cylinder Assembly	16	397250	Crankshaft				
2	293708	Bushing—Cylinder (Plain)		Note: 260113	Crankshaft Used on Type Nos. 8044, 8133, 8134, 8135, 8136, 8139, 8142, 8544, 8632, 8633, 8636, 8640, 8643, 8644, 8646.	20	392986	Note: Bushings require special tools for installation. Seal—Oil Used on Model 80212 Series. For Exceptions, see Note.	
	Note:	Requires special tools for installation.		261450	Crankshaft Used on Type Nos. 8131, 8132, 8137, 8631, 8635, 8638, 8647, 8702.		393862	Seal—Oil Used on Model 80202 Series.	
3	299819	Seal—Oil		397251	Crankshaft Used on Type Nos. 5630, 8650, 8651, 8705.		393812	Seal—Oil Used on Model 80232 Series.	
5	210812	Head—Cylinder		397253	Crankshaft Used on Type No. 8141.	21	66768	Plug—Oil Filler	
6	22963	Washer		397255	Crankshaft Used on Type Nos. 8642, 8648.	22	93032	Screw—Crankcase Cover Mounting Sem	
7	* 27670	Gasket—Cylinder Head		399004	Crankshaft Used on Type Nos. 8138, 8641.		Note:	92747 Screw—Crankcase Mounting Sem Used on two top holes to mount cover on Model 80212 Series.	
8	294178	Breather—Valve Chamber		399006	Crankshaft Used on Type Nos. 8703, 8704.		93656	Stud	
9	* 27549	Gasket—Valve Cover		399010	Crankshaft Used on Type Nos. 8140, 8630, 8645, 8700, 8701.		90832	Washer—Lock Used to mount Crankcase Cover on Type Nos. 8140, 8630, 8645, 8700, 8701.	
10	93394	Screw—Valve Cover Mounting Sem				23	296884	Flywheel—Magneto	
11	66578	Grommet—Breather Tube					Note:	395653 Flywheel—Magneto Used on Type Nos. 8137, 8635.	
12	* 270833	Gasket—Crankcase—.015" thick (Standard)	17	99158	Bearing—Ball	24	222698	Key—Flywheel	
	* 270895	Gasket—Crankcase—.005" thick	18	394820	Cover Assy.—Crankcase Used on Model 80202 Series;	25	295587	Piston Assembly—Std.	
	* 270896	Gasket—Crankcase—.009" thick		395466	Cover Assy.—Crankcase Used on Model 80212 Series;		295588	Piston Assembly—.010" O.S.	
13	93111	Screw—Cylinder Head (1-15/16" long)			For Exceptions, see Note.		295589	Piston Assembly—.020" O.S.	
	Note:	93583 Stud—Cylinder Head (1) 22963 Washer Used on Type Nos. 8131, 8132, 8134, 8631, 8633, 8638, 8647, 8702.		395259	Cover Assy.—Crankcase Used on Model 80232 Series.		295590	Piston Assembly—.030" O.S.	
14	93113	Screw—Cylinder Head (2-5/16" long)		Note:	394909 Cover Assy.—Crankcase Used on Type Nos. 8138, 8641.			RING SETS:	
	Note:	93583 Stud—Cylinder Head 22963 Washer Used on Type Nos. 8131, 8132, 8134, 8631, 8633, 8638, 8647, 8702.						Note: For Chrome Piston Ring Set—Standard Size—Order Part No. 297201.	
15	91249	Plug—Pipe, 1/4" Std., Square Head		19	293708	Bushing—Crankcase Cover (Plain)	26	294232	Ring Set—Std. Piston
	Note:	93448 Plug—Oil Drain (Hex. Socket Head) Used on Type Nos. 8140, 8630, 8637, 8645, 8649, 8700, 8701. To Replace Crankshaft Gear Pin, Order Part No. 230978, Only Used with Crankshaft with Loose Gears.					294224	Ring Set—.010" O.S. Piston	

* Included in Gasket Set—Part No. 397144

80200 to 80299

REF. NO.	PART NO.	DESCRIPTION	REF. NO.	PART NO.	DESCRIPTION	REF. NO.	PART NO.	DESCRIPTION
	294225	Ring Set—.020" O.S. Piston			8646, 8650.	97	297468	Shaft and Lever—Throttle
	294226	Ring Set—.030" O.S. Piston	45	230173	Tappet—Valve	108	397134	Valve Group—Choke
27	26026	Lock—Piston Pin	46	394800	Gear—Cam	110	66432	Washer—Choke Lever
28	298909	Pin Assembly—Piston—Standard	52	* 27355	Gasket—Intake Elbow Mounting (2 used)	111	94060	Washer—Wave
	298908	Pin Assembly—Piston—.005" O.S.	53	94523	Screw—Hex Head	112	94164	Screw—Choke Lever (Used after Code Date 85121200)
29	294367	Rod Assy.—Connecting Note: For Connecting Rod with .020" undersize Crankpin Bore—Order No. 296079.	56	280117	Pulley—Rewind Starter		Note: 93686	Screw—Choke Lever (Used before Code Date 85121300)
30	220670	Dipper—Connecting Rod	57	490179	Spring—Rewind Starter	114	66594	Gasket—Needle Valve Nut
31	222282	Washer—Connecting Rod	58	66734	Rope—Starter (48-5/8") Note: If longer rope is needed, Order No. 66684 and cut to required length.	116	65978	Packing—Needle Valve
32	94404	Screw—Connecting Rod	59	396892	Insert—Starter Grip	117	230590	Nut—Needle Valve
33	296676	Valve—Exhaust (Grooved Stem—Includes Retainer No. 93312) Note: 260443 Valve—Exhaust (with hole in stem) (COBALITE®) Used on Type Nos. 8044, 8130, 8139, 8544, 8634, 8636, 8646, 8650.	59A	230228	Pin—Starter Grip	118	23433	Valve—Needle
34	296677	Valve—Intake (Grooved Stem—Includes Retainer No. 93312)	60	393152	Grip—Starter Rope	124	93357	Screw—Hex. Hd.
35	260552	Spring—Valve Note: 26826 Spring—Exhaust Valve Used on Type Nos. 8044, 8130, 8139, 8544, 8634, 8636, 8646, 8650.	65	94124	Screw—Guard Retaining	127	22831	Plug—Welch
37	220971	Guard—Flywheel	66	399671	Clutch Assembly—Rewind Starter	147	230591	Seat—Needle Valve
40	93312	Retainer—Valve Spring Used with valves with groove in stem. Note: 292259 Rotocap—Exhaust Valve 230126 Pin—Rotocap Exhaust Valve Retainer 230127 Retainer—Exhaust Valve Rotocap Used on Type Nos. 8044, 8130, 8139, 8544, 8634, 8636,	67	394897	Housing—Starter Clutch	148	22235	Washer—Needle Valve (2)
			68	63770	Ball—Clutch	149	26336	Spring—Needle Valve
			70	298436	Ratchet—Rewind Starter	152	260575	Spring Throttle Adjustment
			71	394506	Washer—Clutch Retainer (Rubber Coated) Note: 221653 Washer—Clutch Retainer (Non-Coated)	154	93527	Screw—Machine, Rd.
			73	221661	Screen—Rotating	163	271139	Gasket—Air Cleaner
			74	93490	Screw—Rotating Screen Mounting Sem	163A	27660	Gasket—Air Cleaner Mounting
			75	220865	Washer—Spring	166	231332	Stud—Air Cleaner
			76	68238	Washer—Ratchet Sealing	180	397869	Tank Assy.—Fuel (2 Quart) Note: 398141 Tank Assy.—Fuel (3 Quart) Used on Type Nos. 5630, 8135, 8639, 8644.
			81	223256	Lock—Screw	181	298425	Cap—Fuel Tank Note: 394818 Cap—Fuel Tank Used on Type Nos. 8140, 8630, 8644, 8645, 8700, 8701. 397567 Cap—Fuel Tank Used on Type No. 5630.
			90	398124	Carburetor Assembly (2 Quart) Note: 398112 Carburetor Assembly (3 Quart) Used on Type Nos. 5630, 8639, 8644.			
			90A	394828	Carburetor Assembly (For 2 Quart Tank) Note: 394878 Carburetor Assembly (For 3 Quart Tank) Used on Type Nos. 8135, 8639, 8644.	190	93440	Screw—Fuel Tank Mounting Sem
			95	93499	Screw—Throttle Valve Mounting Sem	191	* 271592	Gasket—Fuel Tank Mounting
			96	211203	Valve Throttle	200	221456	Guide—Air
						201	261590	Link—Governor
						202	260678	Link—Throttle
						203	394670	Crank—Bell

* Included in Gasket Set—Part No. 397144

80200 to 80299

REF. NO.	PART NO.	DESCRIPTION	REF. NO.	PART NO.	DESCRIPTION	REF. NO.	PART NO.	DESCRIPTION
204	222962	Bushing—Governor Control Lever	280	223236	Strap (Used after Code Date 84041700)	347	220884	Switch—Stop (For 1-1/2" High—37 & 42 M.M. Spark Plug)
205	93838	Screw, Shoulder	280A	221384	Strap (Used before Code Date 84041800)	347A	298926	Switch—Stop (For 1-1/2" High—37-42 M.M. Spark Plug)
206	231266	Nut	298	220859	Locknut—Muffler	353	92791	Washer—Lock—Shakeproof
207	26855	Spring	299	492591	Muffler—Exhaust	354	90576	Nut—Hex.—8-32
208	261990	Rod—Control (Used after Code Date 84041700)	299A	392811	Muffler—Exhaust (Lo-Tone)	356	398808	Wire—Ground Note: 398874 Wire—Ground Used on Type Nos. 8647, 8648, 8649, 8650, 8702, 8703, 8705.
	Note:	261653 Rod—Control (Used before Code Date 84041800)	300	394569	Muffler—Exhaust	357	91539	Key—3/16" Square
209	261130	Spring—Air Vane Governor	300A	395959	Muffler—Exhaust	358	397144	Gasket Set
	Note:	260902 Spring—Air Vane Governor Used on Type Nos. 8130, 8634, 8648.	303	91943	Elbow—Exhaust (90° Street)	362	291630	Shield—Spark Plug (with Stop Switch) Note: 89742 Shield—Spark Plug Used on Type No. 8132.
219	391737	Gear—Governor	305	93158	Screw—Sem	363	19069	Puller—Flywheel (Optional Accessory)
220	221551	Washer—Thrust	306	224377	Shield—Cylinder (Used After Code Date 89102200.)	372	220477	Clamp—Condensor
223	223904	Lever—Governor Control (Used After Code Date 86111500)		Note:	220478 Shield— (Used Before Code Date 89102300.)	375	294628	Breaker Points and Condenser Set Note: 299061 Ignition Kit Includes: 294628 Point Set 65704 Plunger 61760 Key—Flywheel (For Conversion to MAGNETRON® Ignition Order Part No. 394970)
	Note:	223097 Lever—Governor Control (Used Before Code Date 86111600)	307	93490	Screw—Cylinder Shield Mounting Sem	383	89838	Wrench—Spark Plug
224	93491	Rivet	308	223390	Cover—Cylinder Head	392	260455	Spring—Fuel Pump Diaphragm
227	394541	Lever Assy.—Governor	319	298502	Armature Assembly (Less Trigger Coil) Note: 398428 Armature Assy. Used for 14-3/8" Ignition Cable.	394	270026	Diaphragm
230	222450	Washer—Gov. Lever		Note:	398428 Armature Assy. Used for 14-3/8" Ignition Cable.	414	231325	Spacer (Used before Code Date 85121300)
265	221535	Clamp—Casing	333	398593	Armature—Magneto	432	221377	Cap—Spring
267	93496	Screw—Sem	333A	398593	Armature—Group	433	93265	Pin—Diaphragm
268	66986	Casing—Control Wire—48" long Note: If longer casing is needed, specify length in inches; if a shorter casing is needed order No. 66986 and cut to required length.	333B	298502	Armature—Magneto	434	210959	Cover—Diaphragm
269	26099	Wire—Control 54" long Note: If longer wire is needed, specify length in inches; if shorter wire is needed order No. 26099 and cut to required length.	334	93381	Screw—Armature Mounting Sem	435	93141	Screw—Diaphragm Cover
270	63426	Locknut—Control Wire Casing	337	298809	Plug—Spark (with Gasket) (1-1/2" High—37-42 M.M.) Note: 29693 Plug—Spark (with Gasket) (2" High—51 M.M.)	445	396424	Cartridge—Air Cleaner
271	290568	Lever Assy.—Control		Note:	29693 Plug—Spark (with Gasket) (2" High—51 M.M.)	446	222844	Base—Air Cleaner
			340	26018	Spring—Breaker Arm	446A	395642	Base—Air Cleaner
			341	93381	Screw—Sem			
			342	65704	Plunger—Breaker Point			
			344	93042	Screw—Condenser Clamp Mounting Sem			
			345	220366	Cover—Breaker Point and Condenser			
			346	93705	Screw—Sem			

80200 to 80299

REF. NO.	PART NO.	DESCRIPTION	REF. NO.	PART NO.	DESCRIPTION	REF. NO.	PART NO.	DESCRIPTION
467	212706	Knob—Air Cleaner		Note: 398035	Starter Assy.—Rewind	854	392884	Bracket Assy.—Stop Switch
506	90200	Screw—Machine, Fil. Hd.—8-32 x 1/2"			(12 o'clock)	864	492232	Adapter Assembly—Muffler
507	66895	Insulator			Used on Type Nos.	869	211172	Seat—Intake Valve (Standard)
516	260374	Spring—Connector			8044, 8130, 8131,			(Used After Code Date 88073100.)
520	93722	Terminal—Spade			8132, 8136, 8142,	Note:	210879	Seat—Intake Valve
521	297973	Shielding—Ignition Cable			8544, 8631, 8632,			(Used Before Code Date 88080100.)
526	94408	Screw—Tank Bracket Mounting Sem			8634, 8640, 8642,			
527	221514	Clamp—Breather Tube (Used with Rotary Choke Carburetors—Ref. 90)	609	260694	Spring—Throttle Link			
	Note:	221279	611	391813	Fuel Pipe and Clip Assembly			Note: For Options see Repair Manual.
		Breather Tube (Used with Pull Choke Carburetors—Ref. 90A)	612	296811	Pipe—Fuel (1-5/8" long) Plastic	870	211291	Seat—Exhaust Valve (Standard)
528	231383	Tube—Breather (Used with Rotary Choke Carburetors—Ref. 90)	613	94042	Screw—Hex. Hd. Shoulder			Note: For Options see Repair Manual.
	Note:	230634	614	93306	Cotter—Hair Pin	871	231348	Guide—Exhaust Valve
		Tube—Breather (Used with Pull Choke Carburetors—Ref. 90A)	615	93307	Retainer—E-Ring			Note: 63709
529	67838	Grommet—Breather Tube (Used with Rotary Choke Carburetors—Ref. 90)	616	231077	Crank—Governor			Guide—Intake Valve (Brass)
	Note:	67608	621	297472	Switch—Stop	883	270774	Gasket—Muffler
		Grommet—Breather Tube (Used with Pull Choke Carburetors—Ref. 90A)	634	271853	Washer—Throttle Shaft (Foam)	883A	272203	Gasket—Muffler
534	94071	Screw—Air Cleaner (1/4" Diameter)			(Used after Code Date 85081100)	897	394970	Trigger Coil
	Note:	93322			Note: 270167	916	280321	Rack—Gear
		Screw—Air Cleaner (3/16" Diameter)			Washer—Throttle Shaft (Felt) (Used before Code Date 85081200)	949	396579	Guard—Rewind Starter
535	27987	Element—Air Cleaner	634A	270382	Washer—Foam	951	223286	Lever—Choke
535A	271466	Element—Air Cleaner	635	66538	Elbow—Spark Plug	987	398970	Seal—Throttle Shaft (Used after Code Date 85081100)
536	397703	Cleaner Assy.—Air (For 1/4" Screw)	642	223306	Cover—Air Cleaner	994	398067	Arrester—Spark
	Note:	296766	643	280374	Cup—Air Cleaner	1016	490817	Spacer
		Cleaner Assembly—Air (For 3/16" Screw)	645	23513	Bushing—Plunger (Used on Type Nos. below 8500.)	1019	491069	Decal (Label) Kit
552	231079	Bushing—Governor Shaft	665	298858	Oil Minder			
562	92613	Bolt—Governor Lever	676	393760	Deflector—Muffler			
575	396691	Stop Switch Assy.—Rotary	676A	397931	Deflector—Muffler			
592	231082	Nut—Hex—10-24	681	299060	Needle Valve Kit			
608	398034	Starter Assy.—Rewind (10 o'clock)	687	390690	Slide—Friction Control			
			688	221766	Cap—Friction Spring			
			689	260847	Spring—Friction			
			690	92484	Screw—Machine, Fil. Hd.—10-32 x 1/2"			
			741	261533	Gear—Timing (For Plain Bearing)			
				Note:	261721			
					Gear—Timing (For Ball Bearing)			
			851	221798	Terminal—Ignition Cable			
			852	396397	Cleaner Assy.—Air			

