

**80300 to 80399**

# Illustrated Parts List

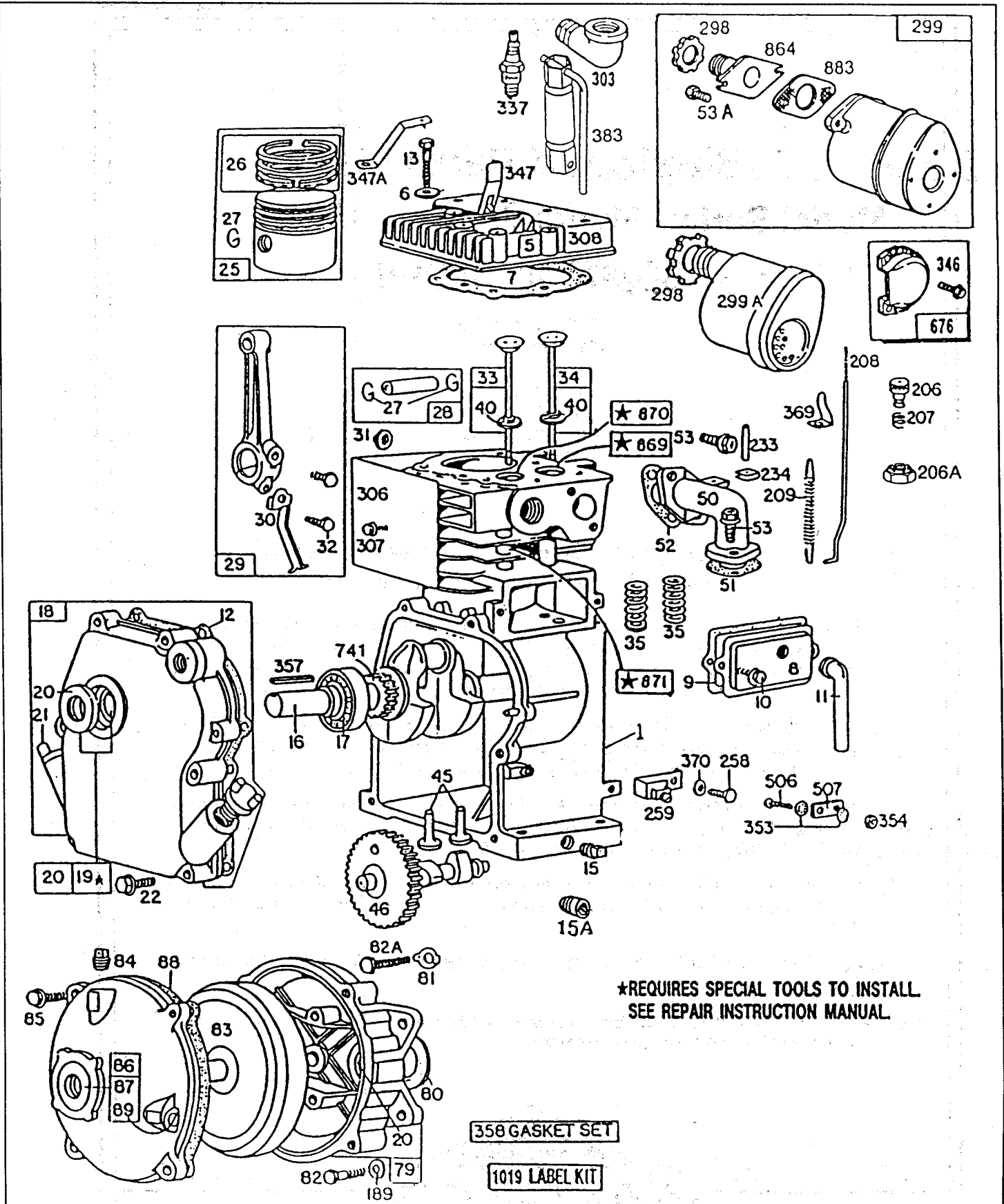
## Model Series

### 80300 to 80399

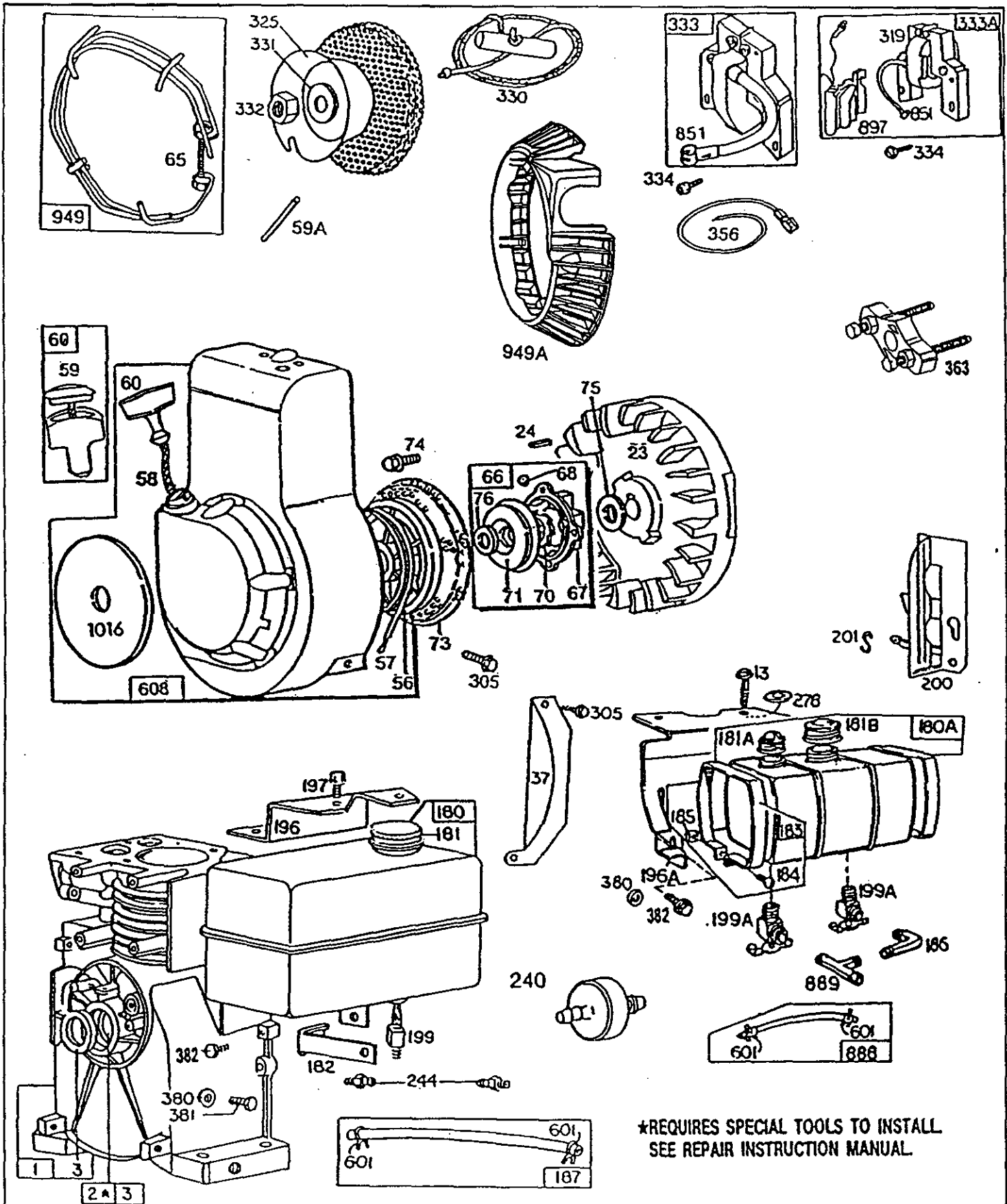
TYPE NUMBERS  
1511 through 1549  
1611 through 1663  
1691 through 1696  
4001, 4011, 4015,  
4024, 4035, 4036,  
4037, 4049.

**TO FIND  
THE CORRECT NUMBER OF THE PART YOU NEED:  
FOLLOW THE INSTRUCTIONS BELOW**

- A. Refer to Engine Model, Type and Code Number that is stamped on the blower housing of engine. Engine type numbers such as 0123 01 are listed only as 0123 in most instances. The two digits (01 or 02, etc.) to the right of the space may be required for more accurate parts identification in some instances. Select the Illustrated Parts List covering the correct Model Series and Type Number.
- B. Refer to the Illustrations and compare the original part with Illustration. The number next to the illustration is the Reference Number. Assemblies include all parts shown in frames. All parts shown in assembly frames having individual reference numbers can be purchased separately.
- C. After the Reference Number has been identified, refer to the Numerical text, where Reference and Primary Part Number are listed. **THE PRIMARY PART IS USED ON ALL TYPE NUMBERS EXCEPT THOSE TYPE NUMBERS UNDER "NOTE."**
- D. If a "Note" appears below the Primary Part Number, it means that this part differs from the Primary Part for certain types. If your Type number is listed under "Note," order the part referred to at the "Note."
- E. If your Engine Type Number does not appear after any part number listed under "Note," use the Primary Part Number.
- F. For Engine Type Numbers not covered by this book, check other Parts Lists having the same engine model or contact your source of supply.

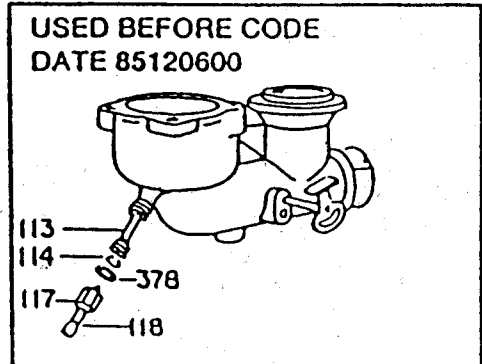
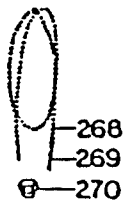
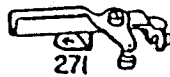
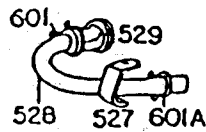
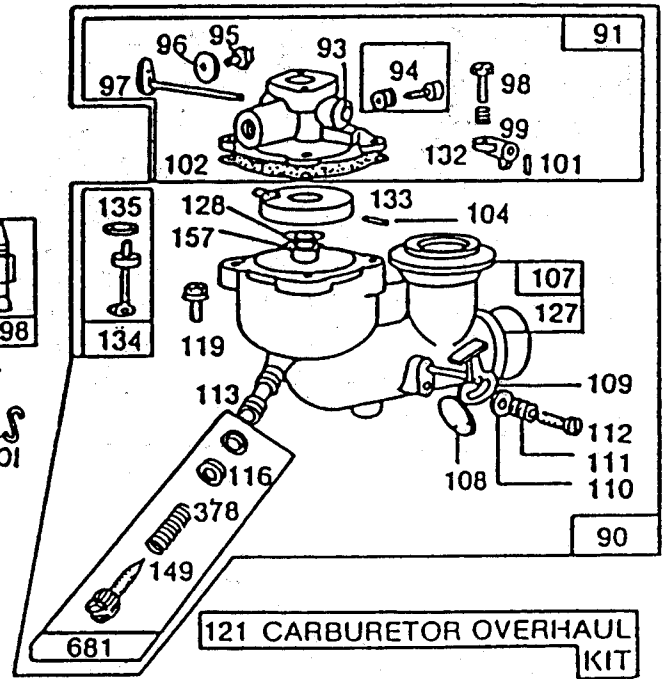
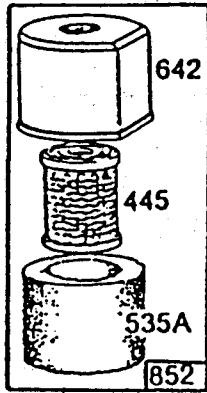
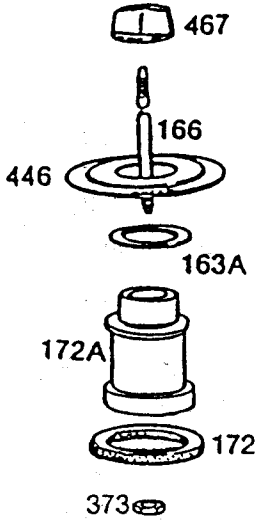
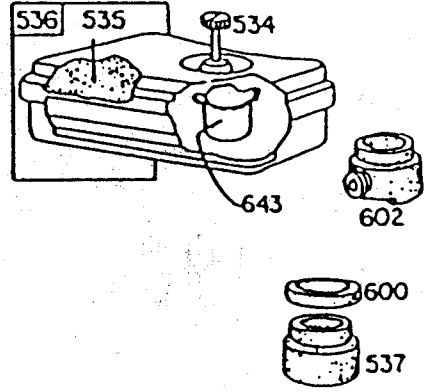
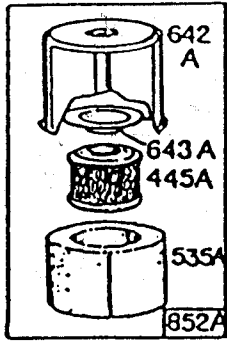
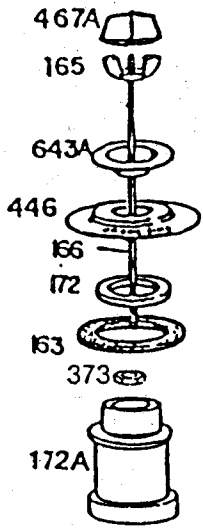


★REQUIRES SPECIAL TOOLS TO INSTALL.  
SEE REPAIR INSTRUCTION MANUAL.



\*REQUIRES SPECIAL TOOLS TO INSTALL  
SEE REPAIR INSTRUCTION MANUAL

# 80300 to 80399



# 80300 to 80399

REF. NO.	PART NO.	DESCRIPTION	REF. NO.	PART NO.	DESCRIPTION	REF. NO.	PART NO.	DESCRIPTION		
1	395879	Cylinder Assembly		493599	Crankshaft			395259	Cover--	
2	293708	Bushing--Cylinder <b>Note:</b> Requires Special Tools For Installation.			Used on Type Nos. 1524, 1548, 1549, 1614, 1626, 1630, 1645, 1648, 1649, 1651, 1653, 4024, 4037, 4049.				Crankcase (Used Before Code Date 93091500). Used on Model 80331, 80332 Series Engines.	
3	*299819	Seal--Oil		493619	Crankshaft	19	293708	Bushing (Includes 220538 Bushing) <b>Note:</b> Bushings Require Requires Special Tools For Installation.		
5	210812	Head--Cylinder			Used on Type No. 1639.			*299819	Seal--Oil <b>Note:</b> 392838 Seal--Oil Used on Model 80312 Series Engines.	
6	22963	Washer--Plain		493633	Crankshaft					
7	*272167	Gasket--Cylinder Head			Used on Type Nos. 1537, 1613, 1619, 1635, 1642, 1654, 1655, 1657, 1661, 1693, 1696.	20				
8	294178	Breather Assy.		493767	Crankshaft					
9	*27549	Gasket--Valve Cover			Used on Type Nos. 1511, 1516, 1656, 1658, 1659, 4001, 4011.			495355	Seal--Oil (Used After Code Date 93091400). 393812 Seal--Oil (Used Before Code Date 93091500). Used on Model 80331, 80332 Series Engines.	
10	94688	Screw--Breather Mtg.		493849	Crankshaft					
11	271489	Tube--Breather			Used on Type Nos. 1535, 1634, 1644, 1646, 1652, 4035.					
12	*270833	Gasket--Crankcase (.015" Thick Standard)		495210	Crankshaft					
	*270895	Gasket--Crankcase (.005" Thick)			(Used After Code Date 93091400). 492095 Crankshaft (Used Before Code Date 93091500). Used on Type No. 1641.					
	*270896	Gasket--Crankcase (.009" Thick)				21	66768	Plug--Oil Fill		
13	94547	Screw--Cylinder Head <b>Note:</b> 93583 Stud--Cyl. Head 22963 Washer Used on Type No. 1660.				22	93032	Screw--Sem <b>Note:</b> 92747 Screw--Sem Used in Two (2) Top Holes to Mount Cover on Model 80311, 80312, 80351, 80352 Series Engines.		
15	91249	Plug--Pipe (Square Head)		495484	Bearing--Ball (Used After Code Date 93091400). <b>Note:</b> 99158 Bearing--Ball (Used Before Code Date 93091500).			23	296884	Flywheel
15A	93448	Plug--Oil Drain (Hex. Socket)						24	222698	Key--Flywheel
16	492880	Crankshaft <b>Note:</b> To Replace Crankshaft Gear Pin, Order Part No. 230978. Only Used With Crankshaft With Loose Gears. 260110 Crankshaft Used on Type Nos. 1621, 1638, 1692, 1650, 1695. 260113 Crankshaft Used on Type No. 1525. 396359 Crankshaft Used on Type Nos. 1662, 1663. 492095 Crankshaft Used on Type Nos. 1527, 1536, 1632, 1633, 1636, 1637, 1647, 1660, 1691, 1694, 4036.		17				25	295587	Piston Assembly (Std.) 295588 Piston Assembly (.010" O.S.) 295589 Piston Assembly (.020" O.S.) 295590 Piston Assembly (.030" O.S.)
				18	394820	Cover--Crankcase <b>Note:</b> 394909 Cover--Crankcase Used on Model 80312, 80351, 80352 Series Engines. 495722 Cover--Crankcase (Used After Code Date 93091400).				

\* Included in Gasket Set--Part No. 397144.

• Included in Carburetor Kit--See Ref. 121.

**PISTON RING SETS:**

**Note:** For Chrome Piston Ring Set (Standard Size) Order Part No. 297201.

- 26 294232 Ring Set (Std.)
- 294224 Ring Set (.010" O.S.)

# 80300 to 80399

REF. NO.	PART NO.	DESCRIPTION	REF. NO.	PART NO.	DESCRIPTION	REF. NO.	PART NO.	DESCRIPTION
	<b>294225</b>	Ring Set (.020" O.S.)		<b>Note:</b>	<b>262750</b> Spring- Exhaust Valve (Used After Code Date 90051300).	<b>58</b>	<b>66734</b>	Rope-Starter (48-5/8" Long)
	<b>294226</b>	Ring Set (.030" O.S.)			<b>26826</b> Spring- Exhaust Valve (Used Before Code Date 90051400). Used on Type Nos. 1524, 1525, 1527, 1535, 1537, 1548, 1549, 1635, 1647, 1648, 1653, 1654.		<b>Note:</b>	<b>280406</b> Rope-Rewind Starter (81" Long) Cut to Required Length; If Longer Rope is Needed Order Part No. <b>280399</b> and Cut to Required Length.
<b>27</b>	<b>26026</b>	Lock-Piston Pin				<b>59</b>	<b>396892</b>	Grip-Starter Rope
<b>28</b>	<b>298909</b>	Pin-Piston (Standard)				<b>59A</b>	<b>230228</b>	Pin-Starter Grip
	<b>298908</b>	Pin-Piston (.005" O.S.)				<b>60</b>	<b>393152</b>	Grip-Starter Rope
<b>29</b>	<b>294367</b>	Rod-Connecting				<b>65</b>	<b>94124</b>	Screw-Guard Retaining
	<b>Note:</b>	<b>296079</b> Rod-Conn. (.020" Undersize)				<b>66</b>	<b>399671</b>	Clutch-Starter
<b>30</b>	<b>220670</b>	Dipper-Connecting Rod	<b>37</b>	<b>220971</b>	Guard-Flywheel	<b>67</b>	<b>394897</b>	Housing-Starter Clutch
<b>31</b>	<b>222282</b>	Washer-Flat	<b>40</b>	<b>93312</b>	Retainer-Valve Spring Used on Valves With Groove in Stem.	<b>68</b>	<b>63770</b>	Ball-Clutch
<b>32</b>	<b>94404</b>	Screw-Connecting Rod		<b>Note:</b>	<b>23184</b> Retainer-Valve Spring <b>23187</b> Pin-Valve Spring Retainer Used on Valves With Hole in Stem Except Those With Rotocap.	<b>70</b>	<b>298799</b>	Ratchet-Rewind Starter
<b>33</b>	<b>296676</b>	Valve-Exhaust (Grooved Stem- Includes Retainer No. <b>93312</b> )				<b>71</b>	<b>394506</b>	Washer-Clutch Retainer
	<b>Note:</b>	<b>262581</b> Valve-Exhaust (Used After Code Date 90051300). <b>260442</b> Valve-Exhaust (With Hole in Stem) For Pins and Retainers For This Valve, See Note Under Reference No. 40. (Used Before Code Date 90051400). Used on Type Nos. 1524, 1525, 1527, 1535, 1537, 1548, 1549, 1647, 1648, 1653, 1654.				<b>73</b>	<b>221661</b>	Screen-Rotating
		<b>262580</b> Valve-Exhaust (Used After Code Date 90051300). <b>260443</b> Valve-Exhaust (Cobalite®) (With Hole in Stem) For Pins and Retainers For This Valve See Note Under Reference No. 40. (Used Before Code Date 90051400). Used on Type Nos. 1536, 1635.				<b>74</b>	<b>93490</b>	Screw-Sem
		<b>262580</b> Valve-Exhaust (Used After Code Date 90051300). <b>260443</b> Valve-Exhaust (Cobalite®) (With Hole in Stem) For Pins and Retainers For This Valve See Note Under Reference No. 40. (Used Before Code Date 90051400). Used on Type Nos. 1536, 1635.				<b>75</b>	<b>224061</b>	Washer-Spring
		<b>262580</b> Valve-Exhaust (Used After Code Date 90051300). <b>260443</b> Valve-Exhaust (Cobalite®) (With Hole in Stem) For Pins and Retainers For This Valve See Note Under Reference No. 40. (Used Before Code Date 90051400). Used on Type Nos. 1536, 1635.				<b>76</b>	<b>68238</b>	Washer-Ratchet Sealing
		<b>262580</b> Valve-Exhaust (Used After Code Date 90051300). <b>260443</b> Valve-Exhaust (Cobalite®) (With Hole in Stem) For Pins and Retainers For This Valve See Note Under Reference No. 40. (Used Before Code Date 90051400). Used on Type Nos. 1536, 1635.				<b>79</b>	<b>290779</b>	Case Assembly-Gear
		<b>262580</b> Valve-Exhaust (Used After Code Date 90051300). <b>260443</b> Valve-Exhaust (Cobalite®) (With Hole in Stem) For Pins and Retainers For This Valve See Note Under Reference No. 40. (Used Before Code Date 90051400). Used on Type Nos. 1536, 1635.				<b>80</b>	<b>27667</b>	Gasket-Gear Case
		<b>262580</b> Valve-Exhaust (Used After Code Date 90051300). <b>260443</b> Valve-Exhaust (Cobalite®) (With Hole in Stem) For Pins and Retainers For This Valve See Note Under Reference No. 40. (Used Before Code Date 90051400). Used on Type Nos. 1536, 1635.				<b>81</b>	<b>220234</b>	Lock-Screw
		<b>262580</b> Valve-Exhaust (Used After Code Date 90051300). <b>260443</b> Valve-Exhaust (Cobalite®) (With Hole in Stem) For Pins and Retainers For This Valve See Note Under Reference No. 40. (Used Before Code Date 90051400). Used on Type Nos. 1536, 1635.				<b>82</b>	<b>91541</b>	Screw-Cap, Hex. Hd. (7/8" Long)
		<b>262580</b> Valve-Exhaust (Used After Code Date 90051300). <b>260443</b> Valve-Exhaust (Cobalite®) (With Hole in Stem) For Pins and Retainers For This Valve See Note Under Reference No. 40. (Used Before Code Date 90051400). Used on Type Nos. 1536, 1635.				<b>82A</b>	<b>92279</b>	Screw-Cap, Hex. Hd. (1-1/2" Long)
		<b>262580</b> Valve-Exhaust (Used After Code Date 90051300). <b>260443</b> Valve-Exhaust (Cobalite®) (With Hole in Stem) For Pins and Retainers For This Valve See Note Under Reference No. 40. (Used Before Code Date 90051400). Used on Type Nos. 1536, 1635.				<b>83</b>	<b>211293</b>	Shaft Assembly-Drive
		<b>262580</b> Valve-Exhaust (Used After Code Date 90051300). <b>260443</b> Valve-Exhaust (Cobalite®) (With Hole in Stem) For Pins and Retainers For This Valve See Note Under Reference No. 40. (Used Before Code Date 90051400). Used on Type Nos. 1536, 1635.				<b>84</b>	<b>92617</b>	Plug-Breather
		<b>262580</b> Valve-Exhaust (Used After Code Date 90051300). <b>260443</b> Valve-Exhaust (Cobalite®) (With Hole in Stem) For Pins and Retainers For This Valve See Note Under Reference No. 40. (Used Before Code Date 90051400). Used on Type Nos. 1536, 1635.				<b>85</b>	<b>92747</b>	Screw-Sem
		<b>262580</b> Valve-Exhaust (Used After Code Date 90051300). <b>260443</b> Valve-Exhaust (Cobalite®) (With Hole in Stem) For Pins and Retainers For This Valve See Note Under Reference No. 40. (Used Before Code Date 90051400). Used on Type Nos. 1536, 1635.				<b>86</b>	<b>291730</b>	Cover-Gear Case
		<b>262580</b> Valve-Exhaust (Used After Code Date 90051300). <b>260443</b> Valve-Exhaust (Cobalite®) (With Hole in Stem) For Pins and Retainers For This Valve See Note Under Reference No. 40. (Used Before Code Date 90051400). Used on Type Nos. 1536, 1635.				<b>87</b>	<b>19011</b>	Seal-Oil
		<b>262580</b> Valve-Exhaust (Used After Code Date 90051300). <b>260443</b> Valve-Exhaust (Cobalite®) (With Hole in Stem) For Pins and Retainers For This Valve See Note Under Reference No. 40. (Used Before Code Date 90051400). Used on Type Nos. 1536, 1635.				<b>88</b>	<b>27313</b>	Gasket-Case Cover
		<b>262580</b> Valve-Exhaust (Used After Code Date 90051300). <b>260443</b> Valve-Exhaust (Cobalite®) (With Hole in Stem) For Pins and Retainers For This Valve See Note Under Reference No. 40. (Used Before Code Date 90051400). Used on Type Nos. 1536, 1635.				<b>89</b>	<b>93448</b>	Plug-Oil Drain
		<b>262580</b> Valve-Exhaust (Used After Code Date 90051300). <b>260443</b> Valve-Exhaust (Cobalite®) (With Hole in Stem) For Pins and Retainers For This Valve See Note Under Reference No. 40. (Used Before Code Date 90051400). Used on Type Nos. 1536, 1635.				<b>90</b>	<b>295607</b>	Carburetor (Manual Choke) <b>Note:</b> <b>295560</b> Carburetor (Gasoline-Kerosene) Used on Type No. 1650.
		<b>262580</b> Valve-Exhaust (Used After Code Date 90051300). <b>260443</b> Valve-Exhaust (Cobalite®) (With Hole in Stem) For Pins and Retainers For This Valve See Note Under Reference No. 40. (Used Before Code Date 90051400). Used on Type Nos. 1536, 1635.	<b>45</b>	<b>230173</b>	Tappet-Valve	<b>91</b>	<b>295608</b>	Housing Assy.-Throttle
		<b>262580</b> Valve-Exhaust (Used After Code Date 90051300). <b>260443</b> Valve-Exhaust (Cobalite®) (With Hole in Stem) For Pins and Retainers For This Valve See Note Under Reference No. 40. (Used Before Code Date 90051400). Used on Type Nos. 1536, 1635.	<b>46</b>	<b>491676</b>	Gear-Cam	<b>93</b>	<b>23230</b>	Bushing-Throttle Shaft
		<b>262580</b> Valve-Exhaust (Used After Code Date 90051300). <b>260443</b> Valve-Exhaust (Cobalite®) (With Hole in Stem) For Pins and Retainers For This Valve See Note Under Reference No. 40. (Used Before Code Date 90051400). Used on Type Nos. 1536, 1635.	<b>50</b>	<b>210810</b>	Elbow-Intake	<b>94</b>	<b>●292681</b>	Valve Assy.-Carb. Idle
		<b>262580</b> Valve-Exhaust (Used After Code Date 90051300). <b>260443</b> Valve-Exhaust (Cobalite®) (With Hole in Stem) For Pins and Retainers For This Valve See Note Under Reference No. 40. (Used Before Code Date 90051400). Used on Type Nos. 1536, 1635.	<b>51</b>	<b>★68987</b>	Gasket-Carb. Mtg.	<b>95</b>	<b>93499</b>	Screw-Sem
		<b>262580</b> Valve-Exhaust (Used After Code Date 90051300). <b>260443</b> Valve-Exhaust (Cobalite®) (With Hole in Stem) For Pins and Retainers For This Valve See Note Under Reference No. 40. (Used Before Code Date 90051400). Used on Type Nos. 1536, 1635.	<b>52</b>	<b>★27355</b>	Gasket-Intake Elbow	<b>96</b>	<b>22036</b>	Valve-Throttle
		<b>262580</b> Valve-Exhaust (Used After Code Date 90051300). <b>260443</b> Valve-Exhaust (Cobalite®) (With Hole in Stem) For Pins and Retainers For This Valve See Note Under Reference No. 40. (Used Before Code Date 90051400). Used on Type Nos. 1536, 1635.	<b>53</b>	<b>94442</b>	Screw-Sem	<b>97</b>	<b>295436</b>	Shaft-Throttle
<b>34</b>	<b>296677</b>	Valve-Intake	<b>53A</b>	<b>94523</b>	Screw-Muffler			
<b>35</b>	<b>260552</b>	Spring-Valve	<b>56</b>	<b>280439</b>	Pulley-Rewind Starter			
			<b>57</b>	<b>490179</b>	Spring-Rewind Starter			

\* Included in Gasket Set-  
Part No. 397144.

● Included in Carburetor Kit-  
See Ref. 121.

# 80300 to 80399

REF. NO.	PART NO.	DESCRIPTION	REF. NO.	PART NO.	DESCRIPTION	REF. NO.	PART NO.	DESCRIPTION
98	91920	Screw-Fill. Head	135	68877	Gasket-Fuel Inlet Valve Seat			Used on Gear Reduction. 12 o'clock Position.
99	●26157	Spring-Idle Valve	149	261357	Spring-Needle Valve (Used After Code Date 85120500).	189	90366	Washer-Lock
101	93043	Pin-Throttle Lever	157	27840	Gasket-Venturi	196	220369	Support-Fuel Tank
102	●27917	Gasket-Carb. Body	163	*271042	Gasket-Air Cleaner Mounting			<b>Note:</b> 220358 Support-Fuel Tank
104	●23114	Pin-Float Hinge	163A	271139	Gasket-Air Cleaner			Used on Type Nos. 1511, 1634, 1646, 1652, 1658, 1659, 4011.
107	397870	Body Assy.-Carb. (Used After Code Date 85120500).	165	93856	Nut-Wing			220607 Support-Fuel Tank
	<b>Note:</b>	295617 Body Assy.-Carburetor (Used Before Code Date 85120600).	166	231314	Stud-Air Cleaner (Used After Code Date 83113003).			Used on Type No. 1637.
108	220897	Valve-Choke			<b>Note:</b> 231177 Stud-Air Cleaner (Used Before Code Date 83120103).	196A	222759	Support-Fuel Tank (Kerosene-Gasoline)
109	294874	Shaft-Choke	172	271077	Gasket-Air Cleaner	197	93083	Screw-Tank Mtg. Sem
110	220899	Washer-Choke Lever	172A	280213	Spacer-Air Cleaner	198	293934	Valve-Fuel Shut-Off
111	26229	Spring-Choke Lever	180	292945	Tank Assy.-Fuel (3 Quart)	199	295896	Outlet-Fuel Tank (Includes Strainer)
112	23270	Screw-Choke Lever			<b>Note:</b> 292944 Tank Assy.-Fuel (2 Quart)	199A	392882	Valve-Shut-Off (Kerosene-Gasoline)
113	●231359	Nozzle-Carburetor (Used After Code Date 85120500).			Used on Type Nos. 1511, 1634, 1646, 1652, 1658, 1659, 4011.	200	490528	Blade-Governor
	<b>Note:</b>	●23222 Nozzle-Carb. (Use Before Code Date 85120600).	180A	392911	Tank Assembly-Fuel (3 Quart) (Kerosene-Gasoline)	201	26235	Link-Governor
114	●68887	Packing-Needle Valve (Used Before Code Date 85120600).	181	69221	Cap-Fuel Tank	206	230149	Nut-Control Rod
116	280203	Packing-Needle Valve (Used After Code Date 85120500).	181A	392886	Cap-Fuel Tank (Small) (Kerosene-Gasoline)	206A	93422	Nut-Stop
117	●23227	Nut-Needle Valve Packing (Used Before Code Date 85120600).	181B	392887	Cap-Fuel Tank (Large) (Kerosene-Gasoline)	207	26855	Spring-Control Rod
118	230005	Valve-Needle (Used Before Code Date 85120600).	182	220195	Bracket-Fuel Tank	208	230194	Rod-Control
119	93347	Screw-Throttle Hsg., and Fuel Pump Body Mounting Sem	183	393181	Strap Assembly (Remote Mount Only)	209	26925	Spring-Governor
121	398992	Carburetor Kit (Used After Code Date 85120500).	184	91257	Screw-Fill. Hd.	233	230253	Stop-Control Rod
	<b>Note:</b>	291691 Carburetor Kit (Used Before Code Date 85120600).	185	90970	Nut-Square	234	220730	Clip-Control Rod
127	220352	Plug-Welch	186	67218	Elbow, 90°	240	298090	Filter-Fuel
128	210811	Venturi-Carburetor	187	296004	Pipe-Fuel (Flexible)	244	230318	Connector-Pipe
132	61967	Stop-Throttle Lever			<b>Note:</b> 394302 Line-Fuel (Flexible) (10-3/8" Long)	258	93062	Screw-Sem
133	293477	Float-Carburetor			<b>Uses:</b>	259	294502	Bracket-Casing
134	●293478	Valve-Float			93807 Clip-Fuel Line	266	290062	Control-Throttle
						268	66986	Casing-Control Wire (48" Long)
								<b>Note:</b> If a Longer Casing is Needed, Specify Length in Inches; if a Shorter Casing is Needed Order Part No. 66986 and Cut to Required Length.
						269	26099	Wire-Control (54" Long)
								<b>Note:</b> If Longer Wire is Needed, Specify Length

\* Included in Gasket Set-Part No. 397144.

● Included in Carburetor Kit-See Ref. 121.

# 80300 to 80399

REF. NO.	PART NO.	DESCRIPTION	REF. NO.	PART NO.	DESCRIPTION	REF. NO.	PART NO.	DESCRIPTION
		by Inches; if Shorter Wire is Needed Order Part No. <b>26099</b> and Cut to Required Length.			<b>Note:</b> <b>220478</b> Shield-Cylinder (Used Before Code Date 89102300).			<b>Note:</b> <b>93065</b> Key-Woodruff No. 6 Used on Type No. 1632.
270	63426	Locknut-Casing	307	93758	Screw-Sem	358	397144	Gasket Set
271	290568	Lever Assy.-Control	308	223390	Cover-Cylinder Head	363	19069	Puller-Flywheel
278	220863	Washer (Between Support and Cylinder Head)	319	298502	Armature Assy. (Less Trigger Coil)	369	220705	Spring-Control Friction
298	220859	Locknut-Muffler	325	293959	Pulley-Rope Starter (1/2" Hole in Pulley)	370	66432	Washer-Plain
299	493288	Muffler-Exhaust <b>Note:</b> <b>493000</b> Guard-Muffler <b>Uses:</b> <b>93606</b> Screw (Guard to Muffler Mtg.) <b>62199</b> Washer (Guard to Bracket) <b>93873</b> Screw (Guard to Bracket Mtg.) Used on Type Nos. 1655, 1662, 1663.			<b>Note:</b> For Rope Starter Pulley With Screen With 5/8" Hole in Pulley, Order Part No. <b>298731</b> .	373	92987	Nut-Hex.
299A	493288	Muffler-Exhaust <b>Note:</b> <b>493000</b> Guard-Muffler <b>Uses:</b> <b>94186</b> Screw (Guard to Muffler Mtg.) <b>62199</b> Washer (Guard to Bracket) <b>93873</b> Screw (Guard to Bracket Mtg.) Used on Type No. 1655.	330	69932	Rope-Starter	378	●22032	Washer-Packing
303	92989	Elbow-Exhaust (45° Street)	331	224061	Washer-Flywheel	380	62199	Washer-Plain
304		Housing-Blower (For Rewind Starter) <b>Note:</b> For Type Nos. Not Listed Below, See Ref. No. 608. <b>294263</b> Housing-Blower (For Rope Starter) Used on Model <i>80301, 80311, 80331, 80351</i> , Series Engines.	332	92284	Nut-Flywheel	381	93559	Screw-Sem
305	93158	Screw-Sem	333	398593	Armature-Magneto	382	93158	Screw-Sem <b>Note:</b> <b>92636</b> Screw-Hex. Head
306	224377	Shield-Cylinder (Used After Code Date 89102200).	333A	398593	Armature-Magneto			<b>90832</b> Washer-Lock <b>230352</b> Spacer Used on Type No. 1637.
			334	93381	Screw-Armature Mtg.	383	89838	Wrench-Spark Plug
			337	298809	Plug-Spark (1-1/2" High, 38 mm)	445	396424	Cartridge-Air Cleaner
					<b>Note:</b> <b>293918</b> Plug-Spark (Resistor Type With Gasket) (1-5/8" High, 42 mm)	445A	392308	Cartridge-Air Cleaner
					<b>492167</b> Plug-Spark (With Gasket) (1-7/8" High, 48 mm)	446	222844	Base-Air Cleaner
					<b>802592</b> Plug-Spark (Resistor Type With Gasket) (1-7/8" High, 48 mm)	467	212706	Knob-Air Cleaner
			346	93705	Screw-Sem	467A	212293	Knob-Air Cleaner
			347	220884	Switch-Stop (For 1-1/2" High, 38 mm Spark Plug)	506	90200	Screw-Fill. Head
					<b>Note:</b> <b>221808</b> Switch-Stop (For 1-7/8" High, 48 mm Spark Plug)	507	66895	Insulator-Terminal
			347A	298926	Switch-Stop (For 1-1/2" High, 38 mm Spark Plug)	527	220754	Support-Breather Tube
					<b>Note:</b> <b>293739</b> Switch-Stop (For 1-7/8" High, 48 mm Spark Plug)	528	230346	Tube-Breather
			353	92791	Washer-Lock	529	66578	Grommet-Breather Tube
			354	90576	Nut-Hex.	534	93323	Screw-Air Cleaner (Order Separately)
			356	398808	Wire-Ground	535	27987	Element-Air Cleaner
			357	91539	Key-3/16" Square	535A	271466	Element-Air Cleaner
						536	296766	Cleaner Assembly-Air
						537	27994	Gasket-Air Cleaner
						600	270003	Spacer-Air Cleaner Mounting
						601	93053	Clip-Fuel Pipe (2)
						601A	93807	Clip-Breather Tube
						602	27666	Gasket-Air Cleaner Used With Vented Breather.
						608	398034	Starter Assy.- Rewind (10 o'clock)
								<b>Note:</b> <b>398035</b> Starter Assy.- Rewind (12 o'clock) Used on Type Nos.

\* Included in Gasket Set-  
Part No. 397144.

● Included in Carburetor Kit-  
See Ref. 121.



# 80300 to 80399

REF. NO.	PART NO.	DESCRIPTION	REF. NO.	PART NO.	DESCRIPTION	REF. NO.	PART NO.	DESCRIPTION
		1515, 1516, 1524, 1535, 1537, 1548, 1549, 1631, 1640, 1651, 1652, 1654, 1656, 1661, 4001.	676	393760	Deflector-Exhaust	871	231348	Guide-Exhaust Valve
		<b>490703</b> Starter Assy.- Rewind (1:30 o'clock) Used on Type Nos. 1658, 1659.	681	•399619	Needle Valve Assembly			<b>Note:</b> 63709 Guide-Intake Valve (Brass) <b>See Repair Manual.</b>
		<b>492162</b> Starter Assy.- Rewind (12 o'clock) Used on Type Nos. 1635, 1646, 1661, 1662, 1663, 4015, 4024, 4035, 4037.		<b>Note:</b> 292088	Needle Valve Used on Type No. 1650.	888	393891	Line-Fuel (Flexible) (Short) (Gasoline-Kerosene)
635	66538	Elbow-Spark Plug	741	261533	Gear-Timing (For Plain Bearing)	889	93915	Tee (Gasoline-Kerosene)
642	223306	Cover-Air Cleaner		<b>Note:</b> 261721	Gear-Timing (For Ball Bearing)	897	394970	Trigger Coil
642A	222626	Cover-Air Cleaner	851	221798	Terminal-Ignition Cable	917	223271	Handle-Shut-Off Valve
643	280374	Cup-Air Cleaner	852	396397	Cleaner Group-Air	949	396579	Guard-Rewind Starter
643A	222845	Cup-Air Cleaner	852A	392368	Cleaner Group-Air	949A	281192	Guard-Rewind (Used After Code Date 91062900).
				<b>Note:</b> 393766	Dual Element Air Cleaner Kit.			<b>Note:</b> 280684 Guard-Rewind (Used Before Code Date 91070100).
			869	210879	Seat-Intake Valve	1016	490817	Spacer
				<b>Note:</b> For Options See <b>Repair Manual.</b>		1019	491069	Label Kit
			870	211291	Seat-Exhaust Valve			
				<b>Note:</b> For Options See <b>Repair Manual.</b>				

\* Included in Gasket Set-  
Part No. 397144.

• Included in Carburetor Kit-  
See Ref. 121.