

80400 to 80499

Illustrated Parts List

Model Series

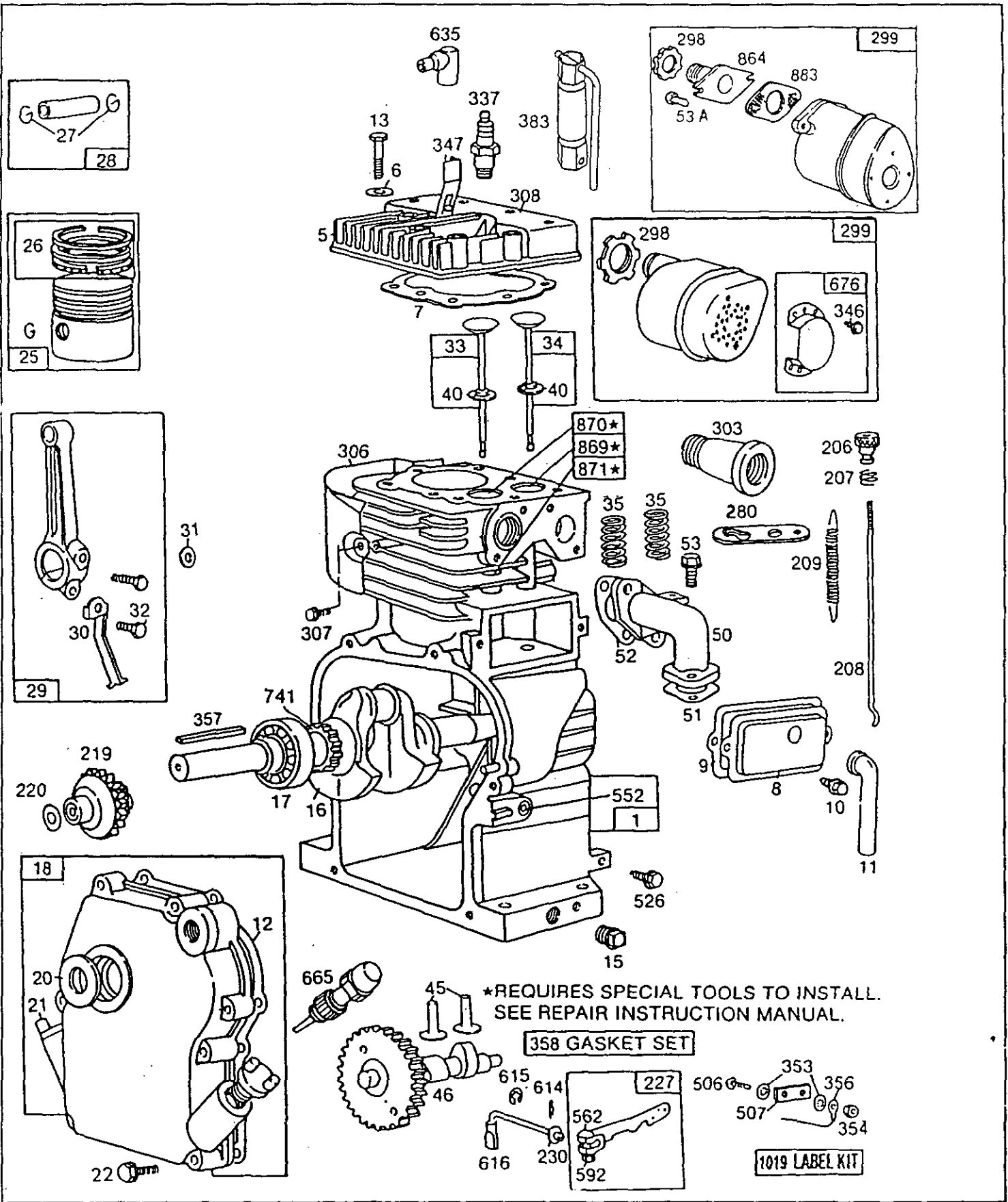
80400 to 80499

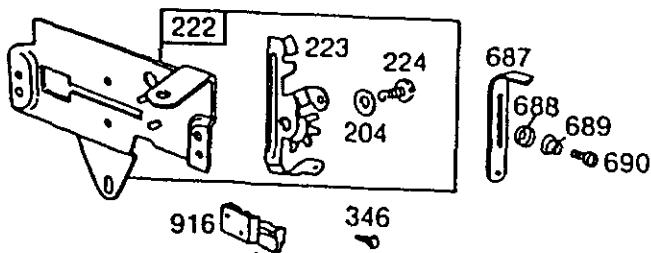
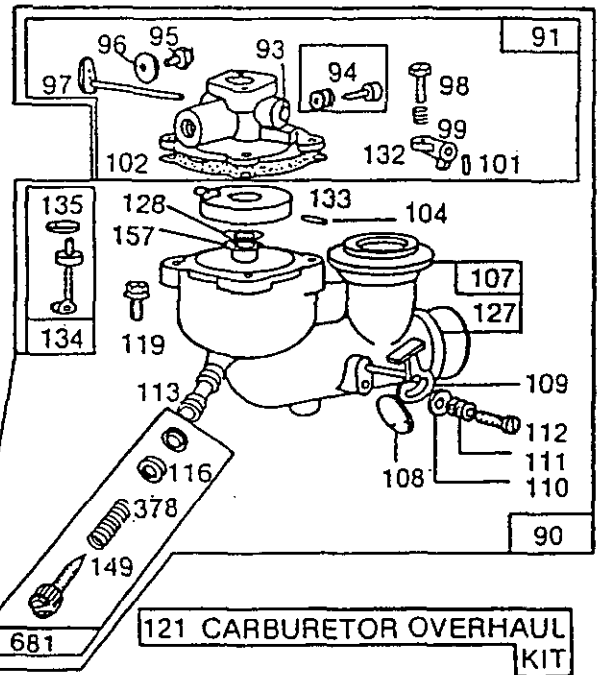
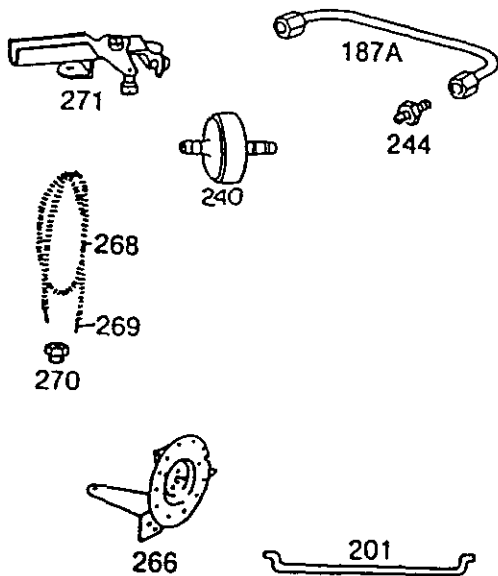
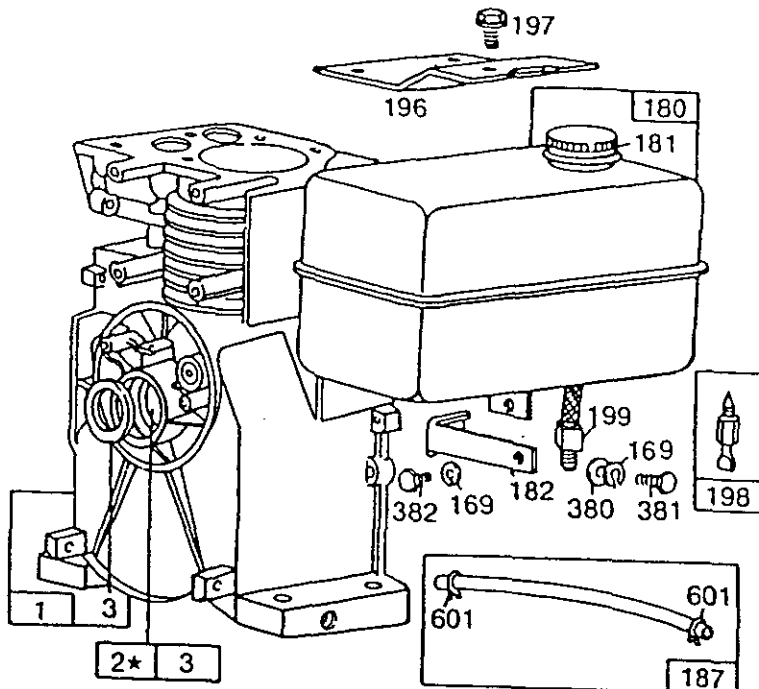
TYPE NUMBERS
8061 through 8072
8111 through 8124
8561 through 8572
8611, 8631, 8632,
8633.

**TO FIND
THE CORRECT NUMBER OF THE PART YOU NEED:
FOLLOW THE INSTRUCTIONS BELOW**

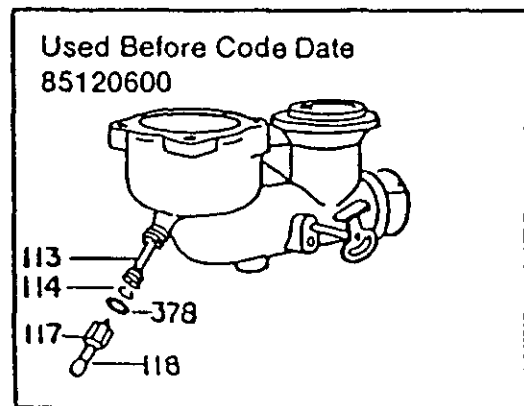
- A. Refer to Engine Model, Type and Code Number that is stamped on the blower housing of engine. Engine type numbers such as 0123 01 are listed only as 0123 in most instances. The two digits (01 or 02, etc.) to the right of the space may be required for more accurate parts identification in some instances. Select the Illustrated Parts List covering the correct Model Series and Type Number.
- B. Refer to the Illustrations and compare the original part with Illustration. The number next to the illustration is the Reference Number. Assemblies include all parts shown in frames. All parts shown in assembly frames having individual reference numbers can be purchased separately.
- C. After the Reference Number has been identified, refer to the Numerical text, where Reference and Primary Part Number are listed. **THE PRIMARY PART IS USED ON ALL TYPE NUMBERS EXCEPT THOSE TYPE NUMBERS UNDER "NOTE."**
- D. If a "Note" appears below the Primary Part Number, it means that this part differs from the Primary Part for certain types. If your Type number is listed under "Note," order the part referred to at the "Note."
- E. If your Engine Type Number does not appear after any part number listed under "Note," use the Primary Part Number.
- F. For Engine Type Numbers not covered by this book, check other Parts Lists having the same engine model or contact your source of supply.

80400 to 80499

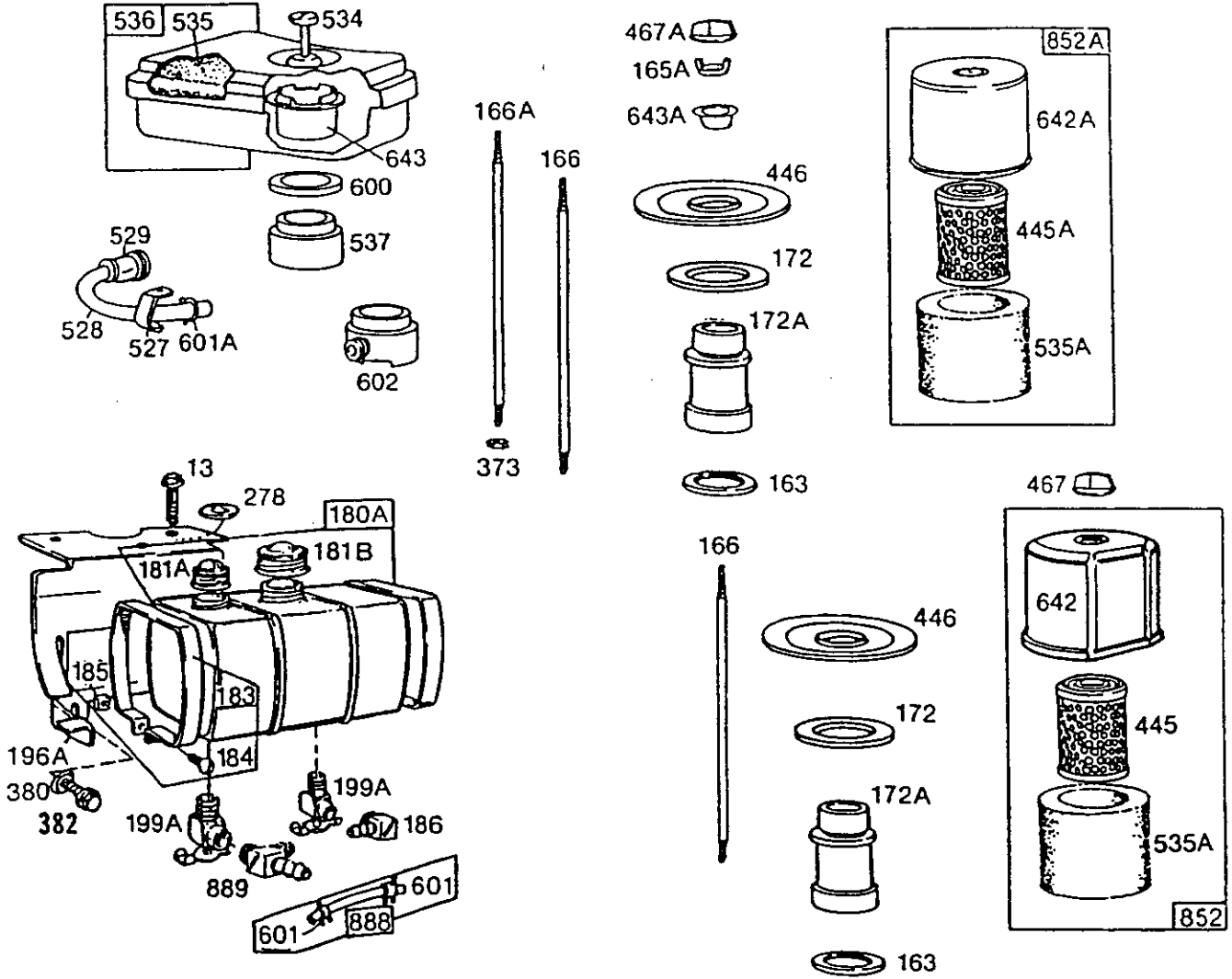




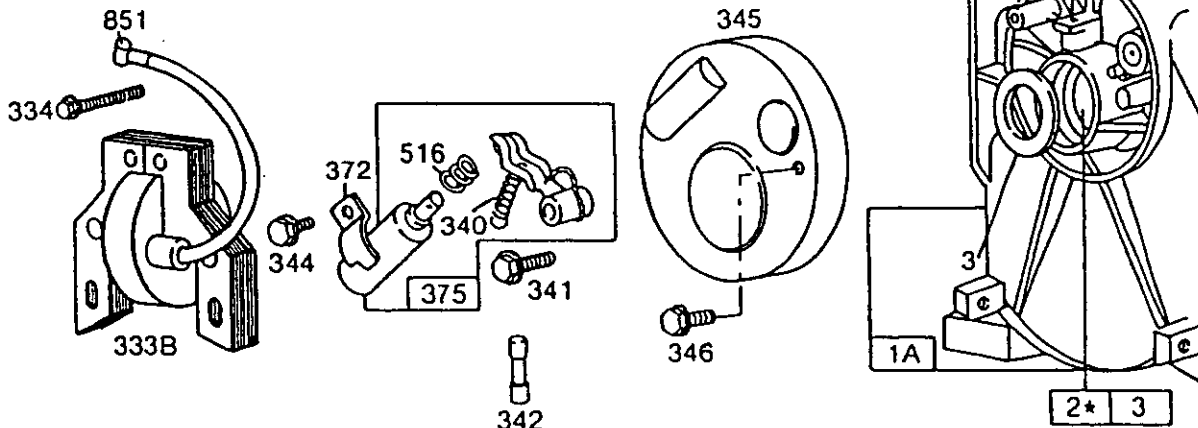
*REQUIRES SPECIAL TOOLS TO INSTALL.
SEE REPAIR INSTRUCTION MANUAL.



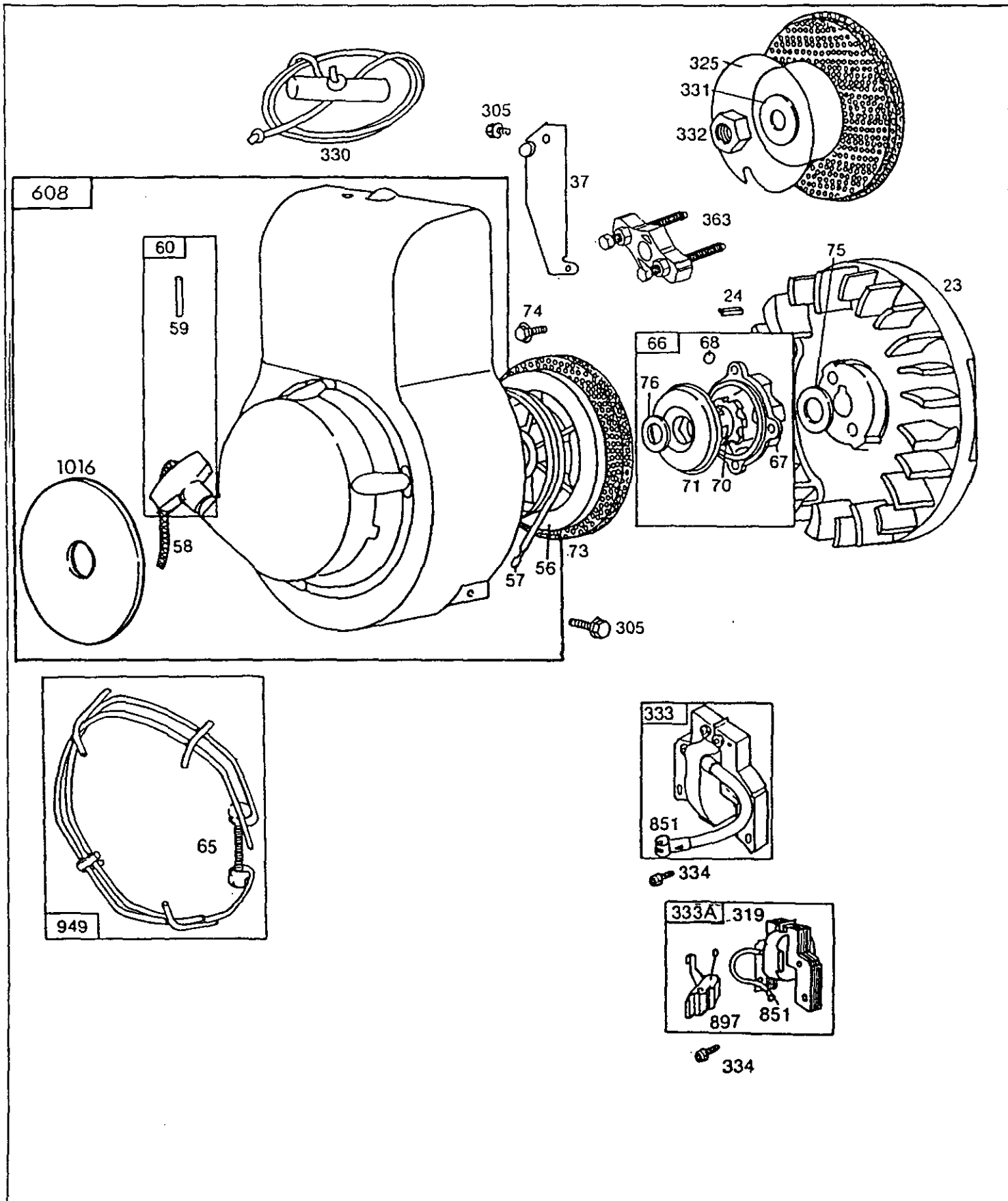
80400 to 80499



USED ON TYPE NUMBERS UNDER 8500.



*REQUIRES SPECIAL TOOLS TO INSTALL. SEE REPAIR INSTRUCTION MANUAL.



80400 to 80499

REF. NO.	PART NO.	DESCRIPTION	REF. NO.	PART NO.	DESCRIPTION	REF. NO.	PART NO.	DESCRIPTION
40	93312	Retainer-Valve Spring	67	394897	Housing-Starter Clutch	110	220899	Washer-Choke Lever
	Note:	224450 Retainer-Valve Spring (Used After Code Date 90051300).	68	63770	Ball-Clutch	111	26229	Spring-Choke Lever
		23184 Retainer Valve Spring	70	298799	Ratchet-Rewind Starter	112	23270	Screw-Choke Lever
		23187 Pin-Valve Spring Retainer (Used Before Code Date 90051400). Used With Valves With Hole in Stem Except Those With Rotocap.	71	394506	Washer-Clutch Retainer	113	●231359	Nozzle-Carburetor (Used After Code Date 85120500).
		491442 Rotocap-Exhaust Valve (Used After Code Date 90051300).	73	221661	Screen-Rotating		Note:	●23222 Nozzle-Carb. (Used Before Code Date 85120600).
		292259 Rotocoil Assy.	74	93490	Screw-Rotating Screen Mounting Sem	114	●68887	Packing-Needle Valve (Used Before Code Date 85120600).
		230126 Pin-Exhaust Valve Rotocap Retainer	75	224061	Washer-Spring	116	280203	Packing-Needle Valve (Used After Code Date 85120500).
		230127 Retainer-Exhaust Valve Rotocap (Used Before Code Date 90051400). Used on Type Nos. 8061, 8071, 8561, 8571.	76	68238	Washer-Ratchet Sealing	117	●23227	Nut-Needle Valve Packing (Used Before Code Date 85120600).
45	230173	Tappet-Valve	90	395395	Carburetor Assembly (Standard) (Manual Choke) Note: 395564 Carb. Assy.- (L.P. Gas) Used on Type Nos. 8072, 8572. 398096 Carb. Assy.- (Kerosene) Used on Type No. 8632.	118	230005	Valve-Needle (Used Before Code Date 85120600).
46	491676	Gear-Cam	91	395562	Housing Assembly-Throttle	119	93347	Screw-Throttle Hsg. Mounting Sem
50	210810	Elbow-Intake	93	23230	Bushing-Throttle Shaft	121	398992	Carburetor Overhaul Kit (Used After Code Date 85120500). Note: 291691 Carburetor Overhaul Kit (Used Before Code Date 85120600).
51	*●68987	Gasket-Carb. Mtg.	94	●292681	Valve Assembly-Carburetor Idle			
52	*27355	Gasket-Intake Elbow Mounting	95	93499	Screw-Throttle Valve Mounting Sem	127	220352	Plug-Welch
53	94442	Screw-Carburetor and Intake Elbow Mtg.	96	222972	Valve-Throttle	128	210811	Venturi-Carburetor
53A	94523	Screw-Hex. Hd.	97	393827	Shaft and Lever-Throttle	132	212904	Stop-Throttle Lever
56	280439	Pulley-Rewind Starter	98	91920	Screw-Machine, Fill. Head	133	293477	Float-Carburetor
57	490179	Spring-Rewind Starter	99	●26157	Spring-Throttle Adjustment	134	●293478	Valve and Seat-Fuel Inlet
58	66734	Rope-Starter (48-5/8" Long) Note: If Longer Rope is Needed, Order No. 280399 and Cut to Required Length.	101	93043	Pin-Throttle Stop and Governor Shaft	135	68877	Gasket-Fuel Inlet Valve Seat
			102	●27917	Gasket-Carb. Body	149	261357	Spring-Needle Valve (Used After Code Date 85120500).
59	230228	Pin-Starter Grip	104	●23114	Pin-Float Hinge	157	27840	Gasket-Venturi
60	393152	Grip-Starter Rope	107	397870	Body Assy.-Carburetor (Used After Code Date 85120500). Note: 295617 Body Assy.- Carburetor (Used Before Code Date 85120600).	163	*271042	Gasket-Air Cleaner Mounting
65	94124	Screw-Guard Mounting	108	220897	Valve-Choke	165	93856	Wing Nut
66	399671	Clutch Assembly-Rewind Starter	109	294874	Shaft and Lever Assembly-Choke	166	231314	Stud-Air Cleaner (Used After Code Date 83113003).

* Included in Gasket Set-Part No. 397144

● Included in Carburetor Overhaul Kit-See Ref. 121.

80400 to 80499

REF. NO.	PART NO.	DESCRIPTION	REF. NO.	PART NO.	DESCRIPTION	REF. NO.	PART NO.	DESCRIPTION
	Note: 231177	Stud-Air Cleaner (Used Before Code Date 83120103).	204	222962	Bushing-Gov. Lever	269	26099	Wire-Control (54" Long)
166A	231284	Stud-Air Cleaner	206	231266	Nut-Control Rod (Used After Code Date 84042600).		Note:	If Longer Wire is Needed, Specify Length by Inches; if Shorter Wire is Needed, Order No. 26099 and Cut to Required Length.
172	271139	Gasket-Air Cleaner		Note: 230149	Nut-Control Rod (Used Before Code Date 84042700).	270	63426	Locknut-Control Wire Casing
172A	280213	Spacer-Air Cleaner	207	26855	Spring-Control Rod (Used After Code Date 84042600).	271	290568	Lever Assy.-Control
180	292945	Tank Assembly-Fuel (3 Quart)	208	261990	Rod-Control (Used Before Code Date 84042700).	278	220863	Washer
	Note: 292944	Tank Assy.-Fuel (2 Quart) Used on Type Nos. 8124, 8631.		Note: 231211	Rod-Control (Used Before Code Date 84042700).	280	223236	Guide Bar-Control Rod
180A	392911	Tank Assy.-Fuel	209	261130	Spring-Governor	298	220859	Locknut-Muffler and Exhaust Elbow
181	69221	Cap-Fuel Tank	219	494845	Gear-Governor (Used After Code Date 91060900).	299	493288	Muffler-Exhaust
181A	392886	Cap-Fuel Tank (Small) (Kerosene-Gasoline)		Note: 391737	Gear-Gov. (Used Before Code Date 91061000).	299A	392811	Muffler-Exhaust
181B	392887	Cap-Fuel Tank (Large) (Kerosene-Gasoline)	220	221551	Washer-Thrust	303	92989	Elbow-Ex. 45°
182	220195	Bracket-Fuel Tank	222	395380	Bracket-Mech. Gov. (Used After Code Date 86111500).		Note:	91943 Elbow-Ex. 90° Used on Type Nos. 8072, 8572.
183	393181	Strap-Assy.	223	223904	Lever-Mech. Gov. (Used After Code Date 86111500).	304		Housing-Blower (For Rewind Starter)
184	91257	Screw-Fill. Head		Note: 223097	Lever-Mech. Gov. (Used Before Code Date 86111600).		Note:	For Type Nos. Not Listed Below, See Ref. No. 608.
185	90970	Nut-Square	224	93491	Screw-Gov. Lever Mtg.		294263	Housing-Blower (For Rope Starter) Used on Model 80431, 80432 Series Engines.
186	67218	Elbow-90°	227	394541	Lever Assy.-Governor	305	94608	Screw-Blo. Hsg. and Flywheel Guard Mtg.
187	393815	Pipe-Fuel (Flexible)	230	222450	Washer-Gov. Lever	306	224377	Shield-Cylinder (Used After Code Date 89102200).
187A	295422	Pipe-Fuel (Metal) Used on Type Nos. 8072, 8572.	240	298090	Filter-Fuel		Note:	220478 Cover-Cylinder Shield (Used Before Code Date 89102300).
196	220369	Support-Fuel Tank	244	230318	Connector-Flexible Fuel Pipe	307	93758	Screw-Cyl. Shield Mtg.
	Note: 220358	Support-Fuel Tank Used on Type Nos. 8124, 8631.	244A	92427	Conn.-Metal Fuel Pipe	308	223390	Cover-Cylinder Head
196A	222759	Support-Fuel Tank (Kerosene-Gasoline)	266	290062	Control-Throttle	319	298502	Armature Assembly (Less Trigger Coil)
197	93083	Screw-Tank Mtg. Sem	268	66986	Casing-Control Wire (48" Long)	325	298731	Pulley With Screen-Rope Starter (5/8" Hole in Pulley)
198	293934	Valve Assembly-Fuel Shut-Off		Note:	If a Longer Casing is Needed, Specify Length in Inches; if a Shorter Casing is Needed Order No. 66986 and Cut to Required Length.			
199	295896	Outlet-Fuel Tank (Includes Strainer) (For Flexible Fuel Pipe)						
199A	393882	Valve-Shut-Off (Kerosene-Gasoline)						
201	261654	Link-Governor						
	Note: 260178	Spring-Gov. Link Used on Type No. 8633.						

* Included in Gasket Set-Part No. 397144.

● Included in Carburetor Overhaul Kit-See Ref. 121.

80400 to 80499

REF. NO.	PART NO.	DESCRIPTION	REF. NO.	PART NO.	DESCRIPTION	REF. NO.	PART NO.	DESCRIPTION
330	69932	Rope-Starter			Note: 299061 Ignition Kit	665	298858	Oil Minder
331	224061	Washer-Flywheel (5/8" Hole)			Includes:	676	393760	Deflector-Exhaust
332	92284	Nut-Flywheel (5/8-18 Right Hand Thread)			294628 Point Set	681	●399619	Valve Assy.-Needle
333	397316	Armature-Magneto			65704 Plunger			Note: 292088 Needle Valve Used on Type No. 8632.
333A	398593	Armature Group (For MAGNETRON®)	378	●22032	Washer-Needle Valve Packing	687	390690	Slide-Friction Control
333B	298502	Armature-Magneto (For Points and Cond.)	380	62199	Washer-Plain	688	221766	Cap-Friction Spring
334	93381	Screw-Armature Mtg.	381	93294	Screw-Sem	689	260847	Spring-Friction
337	298809	Plug-Spark (1-1/2" High, 38 mm.)	382	93158	Screw-Sem	690	92484	Screw-Machine, Fil. Head
		Note: 293918 Plug-Spark (1-1/2" High, 38 mm.) (Resistor Type)	383	89838	Wrench-Spark Plug	741	261721	Gear-Timing (For Ball Bearing)
		492167 Plug Spark (1-7/8" High, 48 mm.)	445	396424	Cartridge-Air Cleaner			Note: 261533 Gear-Timing (For Plain Bearing)
		802592 Plug Spark (1-7/8" High, 48 mm.) (Resistor Type)	445A	392308	Cartridge-Air Cleaner	851	221798	Terminal-Ignition Cable
340	26018	Spring-Breaker Arm	446	222844	Base-Air Cleaner	852	396397	Cleaner Group-Air
341	93381	Screw-Breaker Arm Mounting Sem	467	212706	Knob-Air Cleaner	852A	392368	Cleaner Group-Air
342	65704	Plunger-Breaker Point	467A	212293	Knob-Air Cleaner			Note: 393766 Dual Element Air Cleaner Kit
344	93042	Screw-Condenser Clamp Mounting	506	90200	Screw-Machine, Fil. Head	854	392884	Bracket Assy.- Stop Switch
345	220366	Cover-Breaker Point and Condenser	507	66895	Insulator-Terminal	864	492232	Adapter Assy.- Muffler
346	93705	Screw-Dust Cover Mounting Sem	516	260374	Spring-Connector	869	211172	Seat-Intake Valve (Standard) (Used After Code Date 88080100).
347	220884	Switch-Stop (For 1-1/2" High, 38 mm. Spark Plug)	526	93343	Screw-Hex. Hd.			210879 Seat-Intake Valve (Used Before Code Date 88080200).
		Note: 221808 Switch-Stop (For 1-7/8" High, 48 mm. Spark Plug)	527	220754	Support-Breather Tube			Note: For Options See Repair Manual.
353	92791	Washer-Lock	528	230346	Tube-Breather	870	211291	Seat-Exhaust Valve (Standard)
354	90576	Nut-Hex.	529	66578	Grommet-Breather Tube			Note: For Options See Repair Manual.
356	398808	Wire-Ground	535	27987	Element-Air Cleaner	871	231348	Guide-Exhaust Valve
357	91539	Key-3/16" Square	535A	271466	Element-Air Cleaner	883	272203	Gasket-Exhaust
358	397144	Gasket Set	536	296766	Cleaner Assembly-Air	888	393891	Line-Fuel
363	19069	Puller-Flywheel	537	27994	Gasket-Air Cleaner	889	93915	Tee
372	220477	Clamp-Condenser	552	231079	Bushing-Gov. Shaft	897	394970	Trigger Coil
373	92987	Nut-Condenser Term.	562	92613	Bolt-Governor Lever	916	280321	Gear Rack-Governor
375	294628	Breaker Points and Condenser Set	592	231082	Nut-Hex.	917	223271	Valve Handle-Fuel Shut-Off
			600	270003	Spacer-Air Cleaner Mounting	949	396579	Guard-Rewind Starter
			601	93053	Clip-Fuel Pipe	1016	490817	Spacer
			601A	93807	Clip-Breather Tube	1019	491069	Label Kit
			602	27666	Gasket-Air Cleaner Used With Vented Breather.			
			608	398034	Starter Assy.-Rewind (10 o'clock)			
			614	93306	Pin-Cotter			
			615	93307	Retainer-E-Ring			
			616	231077	Crank-Governor			
			635	66538	Elbow-Spark Plug			
			642	223306	Cover-Air Cleaner			
			642A	222626	Cover-Air Cleaner			
			643	280374	Cup-Air Cleaner			
			643A	222845	Cup-Air Cleaner			
			645	23513	Bushing-Plunger			

* Included in Gasket Set-
Part No. 397144

● Included in Carburetor Overhaul Kit-
See Ref. 121.

