

**80600, 81600**  
**80800, 81800**

## **Illustrated Parts List**

### **MODEL SERIES**

**80600      81600**  
**80800      81800**

### **HOW TO FIND THE CORRECT NUMBER OF THE PART YOU NEED**

These instructions are to be followed when using the Parts Lists to determine the correct part for an engine.

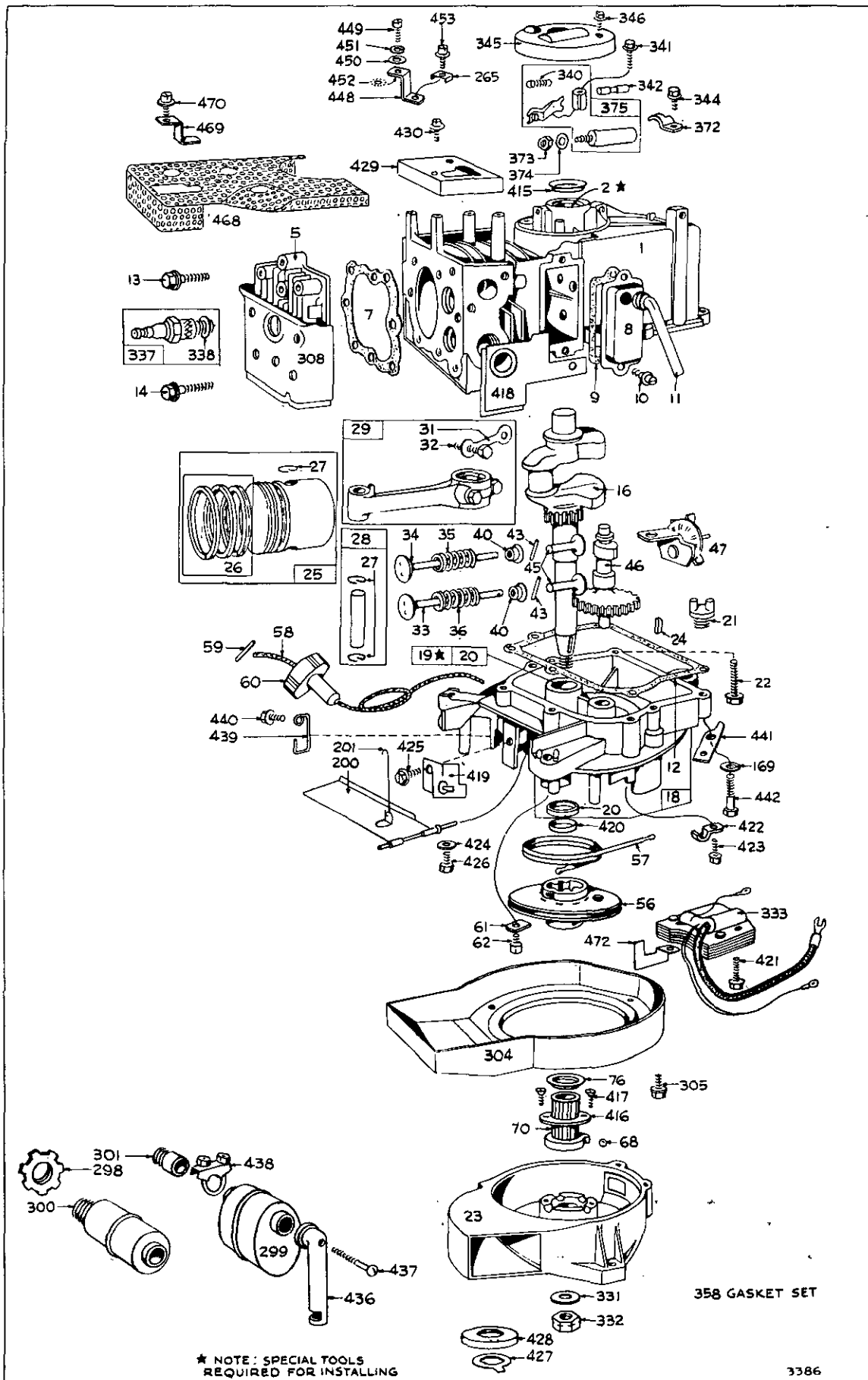
- A. Refer to Engine Model, Type and Serial Number that is stamped on the blower housing or name plate of engine to be sure that the parts list covers the engine to be repaired.
- B. Refer to Illustrated Parts section and compare the old part with illustrations. The number on the illustrations is the Reference Number. Assemblies include all parts shown in frames. All parts shown in assembly frames on which reference numbers are given can be purchased separately.
- C. After the Reference Number has been identified, refer to the Numerical Parts List, where Master Part Numbers are listed. **THE MASTER PART IS USED ON ALL MODEL OR TYPE NUMBERS EXCEPT THOSE MODEL OR TYPE NUMBERS UNDER "NOTE."**
- D. If a "Note" appears below the Master Part Number, this means that this part differs from the Master Part for certain model types. If the Model or Type Number of the engine being repaired is listed under "Note," order the part referred to.
- E. If the Engine Model or Type Number does not appear after any part number listed under "Note," use the Master Part Number.

*An operating manual — Form 27854 — for customer's use is available.*

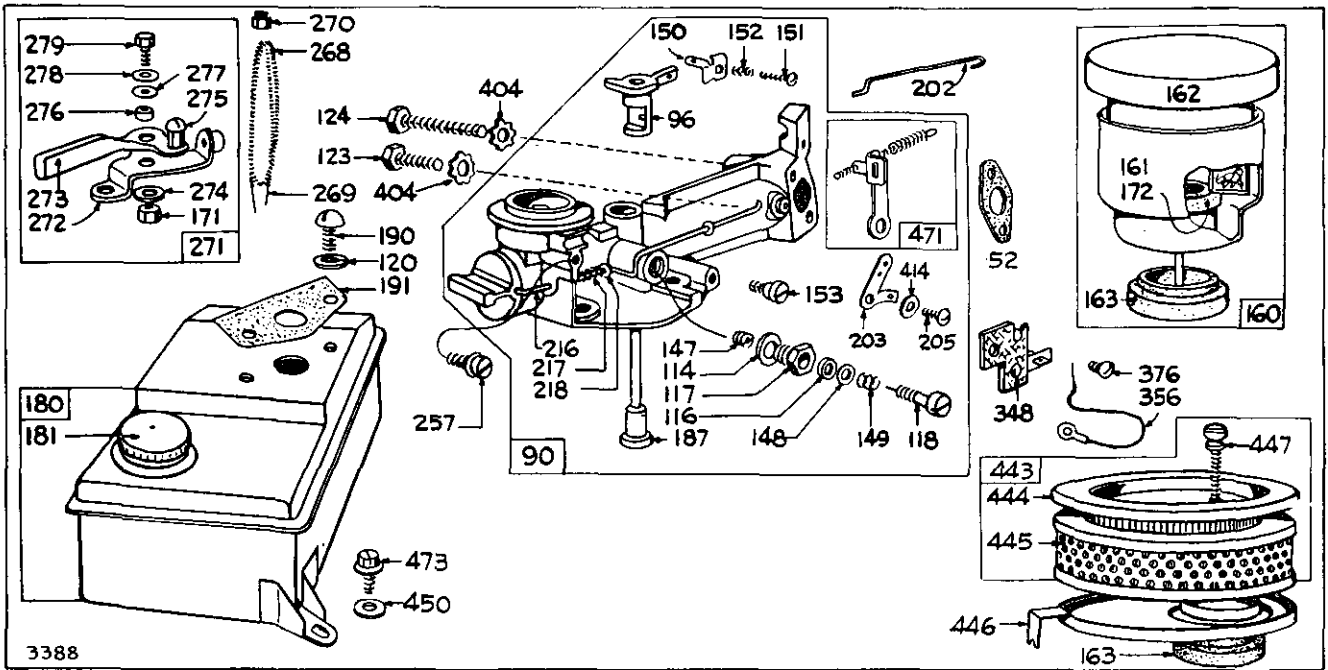
PRINTED IN U. S. A.



80600, 81600  
80800, 81800

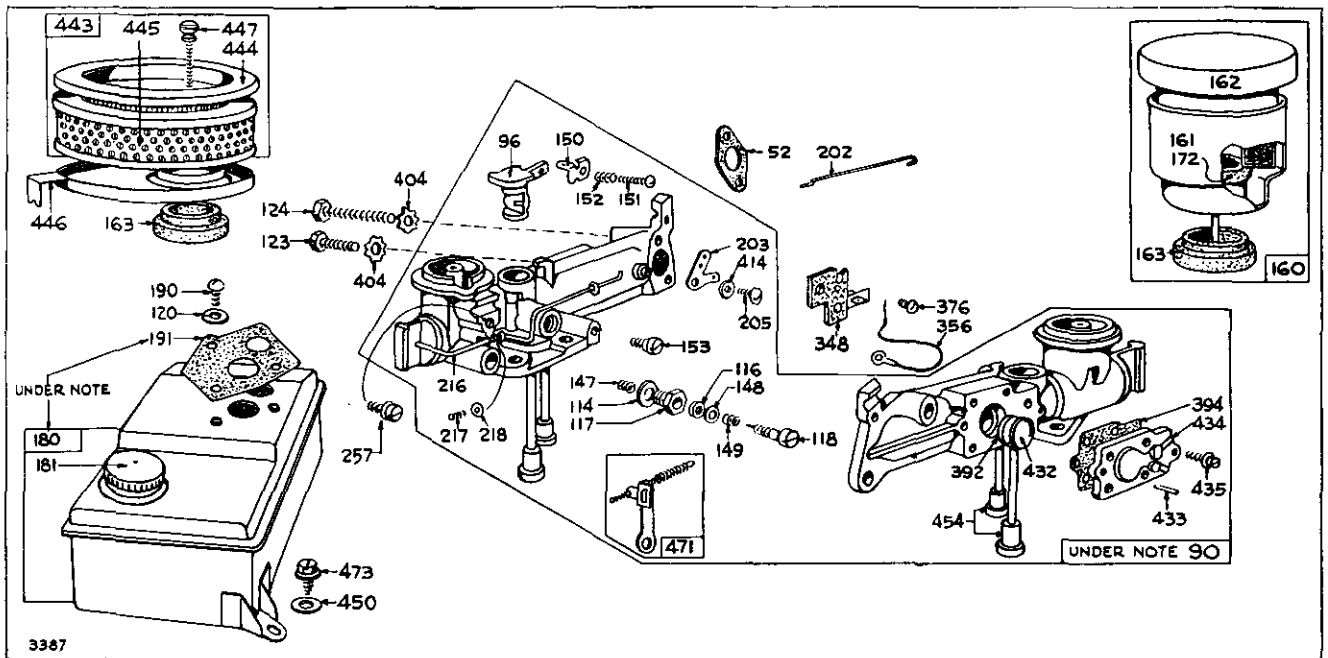


Assemblies include all parts shown in frames.



MODEL SERIES 80600 AND 81600 FUEL SYSTEM PARTS

Assemblies include all parts shown in frames.



MODEL SERIES 80800 AND 81800 FUEL SYSTEM PARTS

Assemblies include all parts shown in frames.

# 80600, 81600 80800, 81800

REF. PART NO.	NO.	DESCRIPTION	REF. PART NO.	NO.	DESCRIPTION	REF. PART NO.	NO.	DESCRIPTION
1	295450	Cylinder Assembly (Used on Model 80600 and 80800 Series)						
	<b>Note:</b>	295486 Cylinder Assembly Used on Model 81600 and 81800 Series.						
2	220538	Bushing—Cylinder						
	<b>Note:</b>	Requires special tools for installation.						
5	210475	Head—Cylinder						
	<b>Note:</b>	210812 Head—Cylinder Used on Model 80800 and 81800 Series.						
7	*27670	Gasket—Cylinder Head						
8	292833	Breather—Valve Chamber						
9	*27549	Gasket—Valve Cover						
10	92870	Screw—Breather Mtg. Sem						
11	66638	Tube—Breather						
12	*27586	Gasket—Crankcase—.015" thick (Standard)						
	*27617	Gasket—Crkcase—.005" thick						
	*27618	Gasket—Crkcase—.009" thick						
13	93111	Screw—Cylinder Head (1-15/16" long)						
14	93113	Screw—Cylinder Head (2-5/16" long)						
16	260450	Crankshaft						
18	296170	Sump—Oil						
19	293709	Bushing—Oil Sump						
	<b>Note:</b>	Requires special tools for installation.						
20	291841	Seal—Oil						
21	66768	Plug—Oil Filler						
22	93032	Screw—Sump Mtg. Sem						
23	296169	Flywheel—Magneto						
24	61700	Key—Flywheel						
25	295587	Piston Assy.—Standard Used on Model 80600 and 80800 Series.						
	<b>Note:</b>	295455 Piston Assy.—Standard Used on Model 81600 and 81800 Series.						
	295588	Piston Assy.—.010" O.S. Used on Model 80600 and 80800 Series.						
	<b>Note:</b>	295456 Piston Assy.—.010" O.S. Used on Model 81600 and 81800 Series.						
	295589	Piston Assy.—.020" O.S. Used on Model 80600 and 80800 Series.						
	<b>Note:</b>	295457 Piston Assy.—.020" O.S. Used on Model 81600 and 81800 Series.						
	295590	Piston Assy.—.030" O.S. Used on Model 80600 and 80800 Series.						
	<b>Note:</b>	295458 Piston Assy.—.030" O.S. Used on Model 81600 and 81800 Series.						
<b>MODEL 80600, 80800 SERIES RING SETS:</b>								
26	294232	Ring Set—Standard Piston						
	210471	Ring, Piston, Comp., Top						
	210472	Ring, Piston, Comp., Center						
	210473	Ring, Piston, Oil						
	294224	Ring Set—.010" O.S. Piston						
	210490	Ring, Piston, Comp., Top						
	210489	Ring, Piston, Comp., Center						
	210491	Ring, Piston, Oil						
	294225	Ring Set—.020" O.S. Piston						
	210493	Ring, Piston, Comp., Top, .020" O.S.						
	210492	Ring, Piston, Comp., Center, .020" O.S.						
	210494	Ring, Piston, Oil, .020" O.S.						
	294226	Ring Set—.030" O.S. Piston						
	210496	Ring, Piston, Comp., Top, .030" O.S.						
	210495	Ring, Piston, Comp., Center, .030" O.S.						
	210497	Ring, Piston, Oil, .030" O.S.						
<b>MODEL 81600, 81800 SERIES RING SETS:</b>								
	295657	Ring Set—Standard Piston						
	210796	Ring, Piston, Comp., Top, Standard						
	210797	Ring, Piston, Comp., Center, Standard						
	295661	Ring, Oil (w/expander) Standard						
	295658	Ring Set—.010" O.S. Piston						
	210799	Ring, Piston, Comp., Top, .010" O.S.						
	210798	Ring, Piston, Comp., Center, .010" O.S.						
	295662	Ring, Oil (w/expander) .010" O.S.						
	295659	Ring Set—.020" O.S. Piston						
	210801	Ring, Piston, Comp., Top, .020" O.S.						
	210800	Ring, Piston, Comp., Center, .020" O.S.						
	295663	Ring, Oil (w/expander) .020" O.S.						
	295660	Ring Set—.030" O.S. Piston						
	210803	Ring, Piston, Comp., Top, .030" O.S.						
	210802	Ring, Piston, Comp., Center, .030" O.S.						
	295664	Ring, Oil (w/expander) .030" O.S.						
27	26026	Lock—Piston Pin						
28	291925	Pin Assy.—Piston—Standard						
	291926	Pin Assy.—Piston—.005" O.S.						
29	294201	Rod Assy.—Connecting						
31	220756	Lock—Connecting Rod Screw						
32	92296	Screw—Connecting Rod Screw						
33	26973	Valve—Exhaust						
34	230563	Valve—Intake						
35	26021	Spring—Intake Valve						
36	26478	Spring—Exhaust Valve						
40	23184	Retainer—Valve Spring						
43	23187	Pin—Valve Spring Retainer						
45	230173	Tappet—Valve						
46	210453	Gear—Cam						
47	294652	Oil Slinger Gear and Bracket						
52	*27355	Gasket—Carburetor						
	<b>Note:</b>	27909 Gasket—Carburetor Mtg. Used on Model 80800 and 81800 Series.						
56	295367	Pulley—Rewind Starter						
57	294303	Spring—Rewind Starter						
58	66384	Rope—Rewind Starter—47-1/8" long						
	<b>Note:</b>	If longer rope is needed, order No. 66514 and cut to required length.						
59	230228	Pin—Starter Rope						
60	66728	Grip—Starter Rope						
61	66918	Bumper—Starter Pulley						
62	93254	Screw—Pulley Bumper Mtg. Sem						
68	63770	Ball—Clutch						
70	260392	Ratchet—Rewind Starter						
76	67098	Washer—Ratchet Sealing						
90	295334	Carburetor Assembly (Choke-A-Matic)						
	<b>Note:</b>	296187 Carburetor Assembly (Choke-A-Matic)						

\* Included in Gasket Set — Part No. 294244

REF. PART NO.	DESCRIPTION	REF. PART NO.	DESCRIPTION	REF. PART NO.	DESCRIPTION
96	210721 Throttle-Carb. (Used on Model 80600 and 81600 Series) <b>Note:</b> 210957 Throttle-Carburetor Used on Model 80800 and 81800 Series.	191	*27404 Gasket-Fuel Tank Mounting <b>Note:</b> 27911 Gasket-Fuel Tank Mtg. Used on Model 80800 and 81800 Series.	301	230571 Nipple-Muffler
114	65787 Gasket-Needle Valve Nut <b>Note:</b> 66594 Gasket-Needle Valve Nut Used on Model 80800 and 81800 Series.	200	295402 Blade-Governor	304	220973 Housing-Blower
116	65978 Packing-Needle Valve	201	260363 Link-Governor (Bell Crank to Governor Blade)	305	93216 Screw-Blower Hsg. Mtg. Sem
117	23431 Nut-Needle Valve <b>Note:</b> 230590 Nut-Needle Valve Used on Model 80800 and 81800 Series.	202	260362 Link-Governor (Bell Crank to Throttle)	308	220969 Cover-Cylinder Head
118	23433 Valve-Needle	203	221050 Crank-Bell	331	221074 Washer-Flywheel
120	92290 Washer-Lock- No. 10 x 1/16" x 3/64"	205	92265 Screw-Bell Crank	332	230534 Nut-Flywheel
123	90700 Screw-Cap, Hex. Hd. - 1/4-20 x 3/4"	216	260188 Link-Choke <b>Note:</b> 260449 Link-Choke Used on Model 80800 and 81800 Series.	333	296171 Armature-Magneto (Includes ignition cable)
124	93031 Screw-Cap, Hex. Hd. - 1/4-20 x 1-1/2"	217	260189 Spring-Choke Link	337	29693 Plug-Spark (with gasket)
147	23432 Seat-Needle Valve <b>Note:</b> 230591 Seat-Needle Valve Used on Model 80800 and 81800 Series.	218	220968 Washer-Choke Link (3) <b>Note:</b> 221198 Washer-Choke Link (3) Used on Model 80800 and 81800 Series.	338	29806 Gasket-Spark Plug
148	22235 Washer-Needle Valve	257	93263 Screw-Fill. Hd., Sem	340	26018 Spring-Breaker Arm
149	26336 Spring-Needle Valve	265	22372 Clamp-Control Wire Casing	341	93117 Screw-Contact Finger Post Mounting Sem
150	220105 Connector-Governor Link	268	66986 Casing-Control Wire-48" long <b>Note:</b> If longer casing is needed, specify length in inches; if a shorter casing is needed order No. 66986 and cut to required length.	342	65704 Plunger-Breaker Point
151	92634 Screw-Machine, Rd. Hd. - 5-40 x 5/8"	269	26099 Wire-Control, 54" long <b>Note:</b> If longer wire is needed, specify length in inches; if shorter wire is needed order No. 26099 and cut to required length.	344	93042 Screw-Cond. Clamp Mtg. Sem
152	26657 Spring-Throttle Adjustment	270	63426 Locknut-Control Wire Casing	345	220366 Cover-Breaker Point & Cond.
153	230030 Screw-Carb. Cam and Lever	271	290568 Lever Assembly-Control	346	93014 Screw-Dust Cover Mtg. Sem
160	294870 Cleaner Assembly-Air (with mounting stud)	272	290584 Base-Control Lever	348	296110 Plate Assembly-Stop Switch Insulator
161	293991 Bowl-Air Cleaner	273	290642 Lever-Control	356	296185 Wire-Ground
162	294861 Cover and Filter-Air Cleaner (with mounting stud)	274	91237 Washer-Lock- 1/4 x 3/32 x 5/64"	358	294244 Gasket Set
163	*27660 Gasket-Air Cleaner Mounting	275	92287 Screw-Machine, Rd. Hd. - 10-32 x 1/4"	372	220477 Clamp-Condenser
169	90832 Washer-Lock- 1/4 x 3/32 x 5/64"	276	22834 Washer-Spacer	373	92987 Nut-Condenser Terminal
171	92129 Nut-Hex. -1/4-28	277	22368 Washer-Control Lever	374	92813 Washer-Lock-Shakeproof
172	27795 Gasket-Air Cleaner	278	22725 Washer-Control Lever	375	294628 Breaker Pts. & Condenser Set
180	296418 Tank Assembly-Fuel <b>Note:</b> 296427 Tank Assy.-Fuel Used on Model 80800 and 81800 Series.	279	92306 Screw-Cap, Hex. Hd. - 1/4-28 x 5/8"	376	93167 Screw-Ground Wire
181	293270 Cap-Fuel Tank	298	260367 Locknut-Muffler	392	260455 Spring-Fuel Pump Diaphragm
187	293700 Pipe-Fuel (Used only on Model 80600 and 81600 Series)	299	296148 Muffler-Exhaust (Lo-Tone) <b>Note:</b> 296376 Muffler-Ex. (Lo-Tone) Used on type Nos. 946025, 947025.	394	27910 Diaphragm
190	93259 Screw-Fuel Tank Mounting	300	89966 Muffler-Exhaust	404	93028 Washer-Lock-Shakeproof
				414	220982 Washer-Bell Crank
				415	221236 Plug-Cylinder
				416	220957 Cover-Ratchet
				417	93217 Screw-Ratchet Cov. Mtg. Sem
				418	221061 Cover-Cylinder Side
				419	220962 Anchor-Spring
				420	67018 Seal-Crankshaft
				421	93215 Screw-Arm. to Sump Mtg. Sem
				422	220754 Retainer-Ignition Cable
				423	93214 Screw-Ignition Cable Retainer Mounting Sem
				424	67072 Washer-Governor Blade Mtg.
				425	93216 Screw-Spring Anchor Mtg. Sem
				426	93216 Screw-Governor Blade Assy. Mounting Sem
				427	221104 Washer-Flywheel Nut
				428	221103 Washer-Flywheel Nut Retainer
				429	221094 Cover-Cooling
				430	93042 Screw-Cooling Cover Mtg. Sem
				432	221192 Cap-Spring
				433	93265 Pin-Diaphragm Cover
				434	210959 Cover-Diaphragm
				435	93141 Screw-Diaphragm Cover
				436	210945 Elbow-Exhaust Outlet

\* Included in Gasket Set - Part No. 294244.

**80600, 81600**  
**80800, 81800**

REF. PART NO. NO.	DESCRIPTION	REF. PART NO. NO.	DESCRIPTION	REF. PART NO. NO.	DESCRIPTION
437 93249	Screw—Self Tapping	447 93257	Screw—Thumb	296191	Housing—Fuel Pipe Screen (for 1/8" O. D. Pipe)
438 296045	Clamp—Exhaust Muffler	448 220965	Bracket—Control Casing	<b>Note:</b>	These Housings used only on Model 80800, 81800 Series.
439 260475	Guide—Rope	449 91920	Screw—Machine, Fill. Hd.— No. 8-32 x 5/8"	468 221253	Screen—Air Intake
440 93014	Screw—Rope Guide Mtg. Sem	450 67072	Washer—Plain	469 221256	Clamp—Air Intake Screen
441 221228	Support—Fuel Tank	451 90364	Washer—Lock, No. 8 x 3/64 x 1/32"	470 92848	Screw—Clamp Mounting Sem
442 93031	Screw—Cap, Hex. Hd.— 1/4-20 x 1-1/2"	452 92029	Washer—Lock, Shakeproof	471 296428	High Speed Stop Assembly
443 296271	Cleaner Assembly—Air	453 92870	Screw—Casing Clamp Mtg.	472 221285	Scraper—Flywheel
444 221182	Cover—Air Cleaner	454 296178	Housing—Fuel Pipe Screen (for 3/16" O. D. Pipe)	473 93062	Screw—Tank Support Mtg. Sem
445 296188	Cartridge—Air Cleaner				
446 221181	Support—Air Cleaner				

\*Included in Gasket Set — Part No. 294244.