

80700 To 80797  
81700 To 81797

## Illustrated Parts List

### MODEL SERIES

80700 To 80797

#### TYPE NUMBERS

0010 to 0045  
0110 to 0176  
944000 to 944272

81700 To 81797

#### TYPE NUMBERS

0110 to 0168  
944500 to 944841

#### TO FIND

**THE CORRECT NUMBER OF THE PART YOU NEED:**

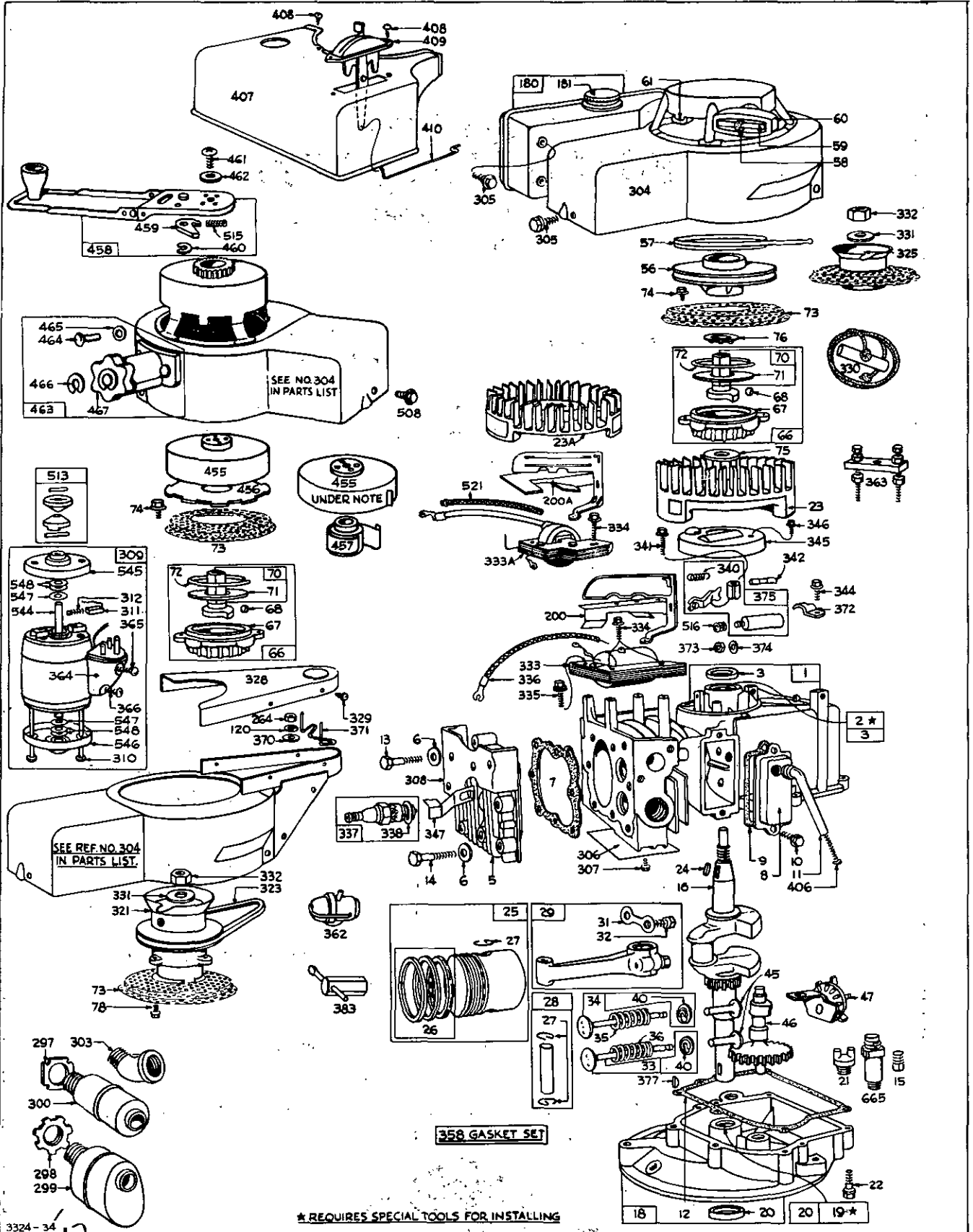
**FOLLOW THE INSTRUCTIONS BELOW.**

- A. Refer to Engine Model, Type and Serial Number that is stamped on the blower housing or name plate of engine. (Engine type numbers such as 944271 are listed complete. Engine type numbers such as 0147 01 are listed herein only as 0147. The two digits (01 or 02, etc.) to the right of the space are not needed for parts identification). Then use the Illustrated Parts List covering these Model Series.
- B. Refer to Illustrated Parts section and compare the old part with illustration. The number on the illustration is the Reference Number. Assemblies include all parts shown in frames. All parts shown in assembly frames on which individual reference numbers are given can be purchased separately.
- C. After the Reference Number has been identified, refer to the Numerical Parts List, where Reference and Master Part Numbers are listed. **THE MASTER PART IS USED ON ALL TYPE NUMBERS EXCEPT THOSE TYPE NUMBERS UNDER "NOTE"**
- D. If a "Note" appears below the Master Part Number, this means that this part differs from the Master Part for certain types. If the Type Number is listed under "Note", order the part referred to.
- E. If the Engine Type Number does not appear after any part number listed under "Note", use the Master Part Number.
- F. For Type Numbers higher than those covered by this book, please refer to the factory if you are unable to identify the part by comparison.

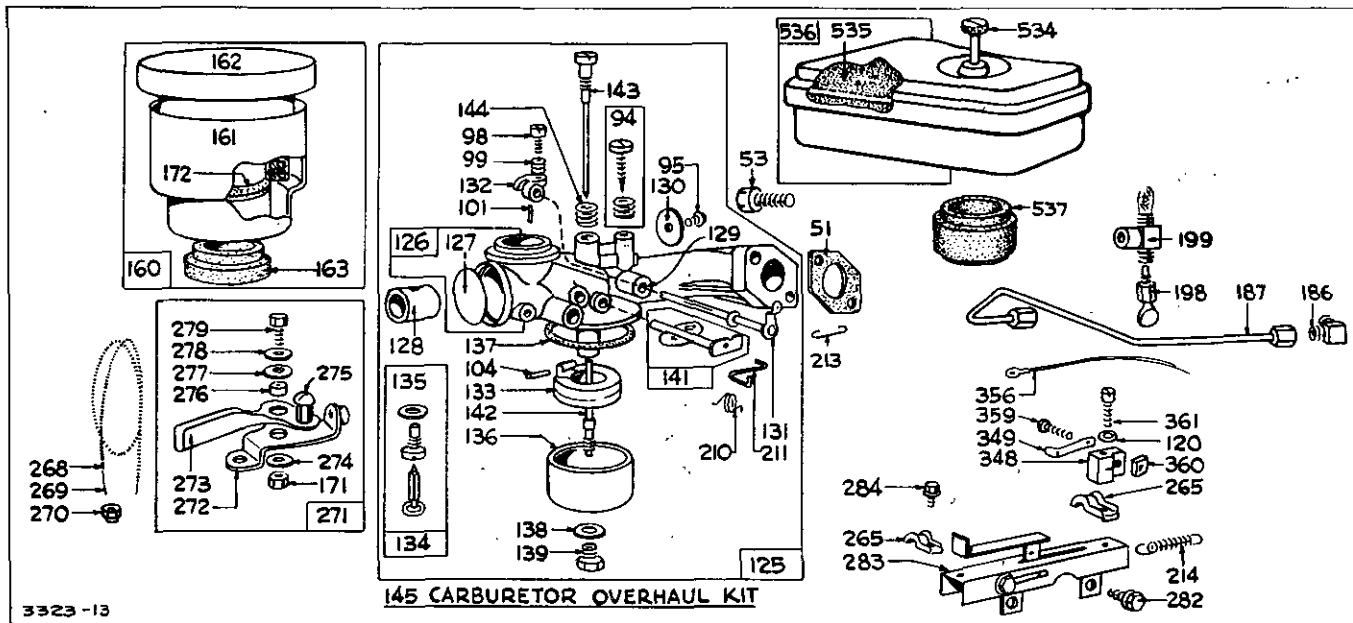
PRINTED IN U.S.A.



80700 To 80797  
81700 To 81797



CYLINDER, CRANKSHAFT, PISTON, CONNECTING ROD, IGNITION AND BLOWER HOUSING PARTS  
Assemblies Include All Parts Shown in Frames



FUEL SYSTEM PARTS  
Assemblies Include All Parts Shown in Frames

REF. NO.	PART NO.	DESCRIPTION	REF. NO.	PART NO.	DESCRIPTION	REF. NO.	PART NO.	DESCRIPTION
1	295450	Cylinder Assembly Used on Model 80700, 80790 Series. <b>Note:</b> 296094 Cylinder Assembly Used on type Nos. 0149, 944143, 944186.			Model 80700 Series type No. 944060.			Used on Model 80700 Series type Nos. 0016, 0017, 0131, 0144, 0146, 0147, 0150, 0153, 0158, 0161, 0173, 0174, 944015, 944017, 944024, 944025, 944046, 944060, 944063, 944107, 944119, 944136, 944192, 944194, 944217, 944218, 944221, 944238, 944241, 944242, 944255; also used on Model 81700 Series type Nos. 0131, 0132, 0143, 0144, 0151, 944525, 944528, 944596, 944620, 944645, 944655, 944656, 944676, 944689, 944695, 944697, 944714, 944717, 944718, 944721, 944722, 944724, 944726, 944746, 944747, 944753, 944776, 944793, 944798, 944802, 944806, 944807, 944815, 944816, 944833, 944840.
	296802	Cylinder Assembly Used on Model 81700 to 81790 Series.	8	292833	Breather-Valve Chamber			
2	293708	Bushing-Cylinder <b>Note:</b> Requires special tools for installation.	9	*27549	Gasket-Valve Cover			
3	89660	Seal-Oil	10	93394	Screw-Breather Mtg. Sem			
5	210812	Head-Cylinder <b>Note:</b> 210623 Head-Cylinder Used on Model 80700 Series type No. 944060. 295053 Head-Cylinder Used on Model 80700 Series type No. 944143.	11	66698	Tube-Breather			
6	22963	Washer-Plain	12	*27586	Gasket-Crankcase- .015" thick (Standard)			
7	*27670	Gasket-Cylinder Head <b>Note:</b> Two 27670 Cylinder Head Gaskets are used on		*27617	Gasket-Crankcase- .005" thick			
				*27618	Gasket-Crankcase- .009" thick			
			13	91386	Screw-Cylinder Head (2" long)			
			14	92674	Screw-Cylinder Head (2-3/8" long)			
			15	91084	Plug-Oil Drain <b>Note:</b> 92738 Plug-Oil Drain (Magnetic) Used on Model 80700 Series type Nos. 0149, 944143, 944168. 93418 Plug-Oil Drain (Hex. Socket Head)			

\* Included in Gasket Set-Part No. 297275

**80700 To 80797**  
**81700 To 81797**

REF. NO.	PART NO.	DESCRIPTION	REF. NO.	PART NO.	DESCRIPTION	REF. NO.	PART NO.	DESCRIPTION
16	260124	Crankshaft		944224, 944244, 944246,			944660, 944663, 944677,	
	<b>Note:</b>	<b>260083</b> Crankshaft		944251, 944252, 944254,			944689, 944692, 944695,	
		Used on Model 81700		944258, 944260, 944262,			944708, 944709, 944726,	
		Series type No. 944636.		944263, 944264; also			944728, 944731, 944733,	
		<b>260091</b> Crankshaft		used on Model 81700			944742, 944744, 944749,	
		Used on Model 80700		Series type Nos. 0150,			944758, 944770, 944774,	
		Series type Nos. 0010,		0165, 944515, 944519,			944797, 944804, 944808,	
		0110, 944010, 944012,		944533, 944556, 944557,			944817, 944818, 944828,	
		944017, 944022, 944060,		944561, 944571, 944572,			944832.	
		944145, 944153, 944212,		944575, 944584, 944595,			<b>260099</b> Crankshaft	
		944226; also used on		944598, 944600, 944609,			Uses: <b>220708</b> Shim-	
		Model 81700 Series type		944610, 944633, 944638,			Crankshaft Thrust	
		Nos. 0110, 944510,		944641, 944644, 944664,			Used on Model 80700	
		944512, 944617, 944635,		944666, 944670, 944682,			Series type Nos. 0040,	
		944727, 944737, 944765,		944710, 944713, 944738,			0044, 0127, 0133, 0135,	
		944794, 944827, 944829.		944741, 944743, 944746,			0136, 0137, 0138, 0170,	
		<b>260092</b> Crankshaft		944755, 944756, 944759,			944014, 944018, 944029,	
		Used on Model 80700		944784, 944796, 944801,			944043, 944056, 944063,	
		Series type Nos. 944064,		944803, 944811, 944821,			944076, 944098, 944100,	
		944102; also used on		944826, 944834.			944108, 944111, 944113,	
		Model 81700 Series type		<b>260097</b> Crankshaft			944117, 944123, 944132,	
		No. 944532.		Used on Model 80700			944151, 944156, 944166,	
		<b>260094</b> Crankshaft		Series type Nos. 0017,			944167, 944169, 944172,	
		Used on Model 80700		944025, 944032, 944039,			944186, 944189, 944198,	
		Series type No. 944020;		944086, 944094, 944096,			944265, 944270, 944271;	
		also used on Model 81700		944097, 944173, 944190,			also used on Model	
		Series type Nos. 0151,		944256; also used on			81700 Series type Nos.	
		944558, 944655, 944724,		Model 81700 Series type			0127, 0153,	
		944840.		Nos. 944518, 944520,			0162, 0163, 0168,	
		<b>260096</b> Crankshaft		944547, 944548, 944592;			944514, 944534, 944540,	
		Used on Model 80700		944599, 944627, 944637,			944542, 944545, 944554,	
		Series type Nos. 0016,		944681, 944702, 944703,			944578, 944582, 944586,	
		0031, 0151, 0159, 0161,		944725, 944736, 944747;			944587, 944593; 944597,	
		0162, 0165, 0169, 0172,		944754, 944760.			944606, 944620, 944632,	
		944016, 944019, 944024,		<b>260098</b> Crankshaft:			944647, 944651, 944652,	
		944033, 944049, 944050,		Used on Model 80700			944669, 944671, 944672,	
		944054, 944055, 944065,		Series type Nos. 0020,			944673, 944675, 944686,	
		944077, 944078, 944083,		0118, 0143, 0148, 0154,			944687, 944700, 944706,	
		944103, 944115, 944116,		0155, 0156, 0158, 0166;			944721, 944730, 944750,	
		944121, 944122, 944124,		0171, 944028, 944081,			944763, 944806, 944810,	
		944127, 944129, 944130,		944159, 944163, 944214,			944819, 944820; 944823,	
		944131, 944134, 944137,		944232, 944248, 944259,			944831, 944838, 944839.	
		944139, 944140, 944142,		944266, 944267; 944268,			<b>260133</b> Crankshaft	
		944150, 944155, 944158,		944269; also used on			Used on Model 80700	
		944161, 944162, 944179,		Model 81700 Series type			Series type Nos. 944040,	
		944181, 944183, 944191,		Nos. 0118, 0141, 0158,			944059, 944148, 944187,	
		944195, 944200, 944201,		944550, 944559, 944568,			944188, 944205; also	
		944202, 944203, 944204,		944594, 944611, 944612,			used on Model 81700	
		944207, 944211, 944215,		944613, 944618, 944639,			Series type Nos. 944795,	
		944219, 944222, 944223,		944650, 944657, 944658,			944800.	

**80700 To 80797**  
**81700 To 81797**

REF. PART NO. NO.	DESCRIPTION	REF. PART NO. NO.	DESCRIPTION	REF. PART NO. NO.	DESCRIPTION
<b>260159</b>	Crankshaft Used on Model 80700 Series type No. 944080; also used on Model 81700 Series type Nos. 944579, 944580, 944589, 944604, 944621, 944824.	<b>260235</b>	Crankshaft Used on Model 80700 Series type Nos. 0149, 0173, 944107, 944143, 944168, 944231, 944247, 944253; also used on Model 81700 Series type Nos. 0144, 0152, 944549, 944565, 944588, 944602, 944699, 944718, 944762, 944802, 944809, 944836.		Series type Nos. 0146, 0147, 944118, 944119, 944136, 944217, 944255; also used on Model 81700 Series type Nos. 944645, 944646, 944656, 944793.
<b>260197</b>	Crankshaft Used on Model 80700 Series type Nos. 944072, 944090; also used on Model 81700 Series type Nos. 944570, 944642.	<b>260241</b>	Crankshaft Uses: <b>220708</b> Shim— Crankshaft Thrust Used on Model 80700 Series type Nos. 0042, 944196; also used on Model 81700 Series type Nos. 944524, 944546.	<b>260416</b>	Crankshaft Used on Model 80700 Series type No. 944101.
<b>260207</b>	Crankshaft Used on Model 80700 Series type Nos. 944034, 944036.	<b>260319</b>	Crankshaft Used on Model 80700 Series type Nos. 0153, 944089, 944192, 944238.	<b>260426</b>	Crankshaft Used on Model 80700 Series type Nos. 944133, 944135.
<b>260214</b>	Crankshaft Used on Model 80700 Series type No. 944088.	<b>260390</b>	Crankshaft Used on Model 81700 Series type Nos. 944526, 944528.	<b>260451</b>	Crankshaft Used on Model 80700 Series type No. 944144; also used on Model 81700 Series type No. 944674.
<b>260223</b>	Crankshaft Uses: <b>220708</b> Shim— Crankshaft Thrust Used on Model 80700 Series type No. 944047; also used on Model 81700 Series type No. 944531.	<b>260393</b>	Crankshaft Uses: <b>220708</b> Shim— Crankshaft Thrust Used on Model 81700 Series type No. 944543.	<b>18 293512</b>	Sump—Oil <b>Note: 293597</b> Sump—Oil Used on Model 80700 Series type Nos. 0144, 0147, 0153, 0158, 0161, 0173, 944060, 944118, 944119, 944136, 944192, 944194, 944238, 944255; also used on Model 81700 Series type Nos. 0151, 944645, 944646, 944655, 944656, 944724, 944726, 944840.
<b>260224</b>	Crankshaft Uses: <b>220708</b> Shim— Crankshaft Thrust Used on Model 80700 Series type Nos. 0041, 0043, 944030, 944038, 944041, 944048, 944120, 944197, 944220, 944242; also used on Model 81700 Series type Nos. 0133, 0134, 0137, 0160, 944516, 944523, 944538, 944569, 944581, 944629, 944643, 944648, 944649, 944661, 944691, 944694, 944707, 944712, 944729, 944735, 944751, 944752, 944761, 944807, 944813, 944816, 944837.	<b>260400</b>	Crankshaft Used on Model 80700 Series type No. 944230; also used on Model 81700 Series type Nos. 944562, 944563.	<b>294231</b>	Sump—Oil Used on Model 80790 to 80797 and 81790 to 81797 Series with 3/4" dia. Auxiliary P. T. O. Shaft ----- To replace Sump on these Model Series with a 1/2" dia. Auxiliary P. T. O. Shaft order No. 298280.
<b>260234</b>	Crankshaft Used on Model 80700 Series type No. 944051; also used on Model 81700 Series type No. 944776.	<b>260402</b>	Crankshaft Uses: <b>220708</b> Shim— Crankshaft Thrust Used on Model 81700 Series type Nos. 944564, 944585.	<b>295032</b>	Sump—Oil Used on Model 81700 Series type Nos. 944546, 944806, 944807.
		<b>260405</b>	Crankshaft Used on Model 81700 Series type Nos. 944573, 944574, 944659.	<b>295041</b>	Sump—Oil Used on Model 80700 Series type No. 944259; also used on Model 81700 Series type Nos. 944708,
		<b>260411</b>	Crankshaft Used on Model 80700		

**80700 To 80797**  
**81700 To 81797**

REF. NO.	PART NO.	DESCRIPTION	REF. NO.	PART NO.	DESCRIPTION	REF. NO.	PART NO.	DESCRIPTION
19	293709	944709, 944719, 944722, 944770, 944804, 944815, 944817, 944818, 944832. Bushing—Oil Sump Requires special tools for installation. <b>Note:</b> No bushings are available for Model 80790, 81790 Series.						Used on Model 81700 Series. <b>295589</b> Piston Assy. —.020" O.S. <b>Note:</b> <b>295457</b> Piston Assy. —.020" O.S. Used on Model 81700 Series.
20	291841	Seal—Oil <b>Note:</b> <b>294167</b> Seal—Oil (Crankshaft—P. T. O. Side) <b>294160</b> Seal—Oil (For 3/4" dia. Auxiliary Drive Shaft) Used on Model 80790 to 80797 and 81790 to 81797 Series. <b>294167</b> Seal—Oil (Crankshaft—P. T. O. side) <b>298041</b> Seal—Oil (For 1/2" dia. Auxiliary Drive Shaft) Used on Model 80790 to 80797 and 81790 to 81797 Series.			944181, 944183, 944190, 944192, 944193, 944226, 944227, 944231, 944233, 944238, 944241, 944242; also used on Model 81700 Series type Nos. 944516, 944520, 944529, 944530, 944531, 944547, 944548, 944550, 944561, 944575, 944599, 944608, 944611, 944612, 944613, 944627, 944631, 944639, 944650, 944655, 944657, 944660, 944677, 944681, 944689, 944692, 944695, 944696, 944701, 944702, 944703, 944704, 944707, 944708, 944709, 944715, 944716, 944718, 944722, 944724, 944726, 944727, 944728, 944731, 944736, 944747, 944749, 944753, 944768, 944769, 944770, 944774, 944776, 944792, 944797, 944802, 944804, 944806, 944807, 944813, 944815, 944816, 944817, 944818.			<b>295590</b> Piston Assy. —.030" O.S. <b>Note:</b> <b>295458</b> Piston Assy. —.030" O.S. Used on Model 81700 Series.
21	66768	Plug—Oil Filler	23A	297949	Flywheel—Magneto (Used on and after Serial No. 6212310) <b>Note:</b> <b>296884</b> Flywheel—Magneto Used on Model 80700 Series type Nos. 0017, 0020, 0153, 0158, 0159, 0160, 0161, 0166, 0167, 0171, 0172, 0173, 0175, 944259; also used on Model 81700 Series type Nos. 0132, 0144, 0151, 0158, 0159, 0160, 0161, 0165, 944832, 944834, 944835, 944836, 944837, 944840.			<b>MODEL 80700 SERIES RING SETS:</b> <b>26 294232</b> Ring Set—Std. Piston Consists of: <b>210471</b> Ring, Piston, Compression, Top <b>210472</b> Ring, Piston, Compression, Center <b>210473</b> Ring, Piston, Oil <b>294224</b> Ring Set—.010" O.S. Piston Consists of: <b>210490</b> Ring, Piston, Comp., Top, .010" O.S. <b>210489</b> Ring, Piston, Comp., Center, .010" O.S. <b>210491</b> Ring, Piston, Oil, .010" O.S. <b>294225</b> Ring Set—.020" O.S. Piston Consists of: <b>210493</b> Ring, Piston, Comp., Top, .020" O.S. <b>210492</b> Ring, Piston, Comp., Center, .020" O.S. <b>210494</b> Ring, Piston, Oil, .020" O.S. <b>294226</b> Ring Set—.030" O.S. Piston Consists of: <b>210496</b> Ring, Piston, Comp., Top, .030" O.S. <b>210495</b> Ring, Piston, Comp., Center, .030" O.S. <b>210497</b> Ring, Piston, Oil, .030" O.S.
22	93032	Screw—Sump Mtg. Sem	24	61760	Key—Flywheel			
23	293205	Flywheel—Magneto (Used before Serial No. 6212310) <b>Note:</b> <b>295936</b> Flywheel—Magneto Used on all Model 80700 Series type Nos. 0149, 944143, 944168; also used before Serial No. 6212310 on type Nos. below. On and after this serial number, part number 296884 must be used on these type Nos. 944016, 944020, 944025, 944028, 944032, 944037, 944054, 944081, 944083, 944084, 944086, 944091, 944094, 944096, 944097, 944107, 944128, 944130, 944145, 944159, 944162, 944175, 944176, 944179, 944180,	25	295587	Piston Assy.—Standard <b>Note:</b> <b>295455</b> Piston Assy.—Std. Used on Model 81700 Series. <b>295588</b> Piston Assy.—.010" O.S. <b>Note:</b> <b>295456</b> Piston Assy.—.010" O.S.			

REF. PART NO.	PART NO.	DESCRIPTION	REF. PART NO.	PART NO.	DESCRIPTION	REF. PART NO.	PART NO.	DESCRIPTION		
<b>MODEL 81700 SERIES RING SETS:</b>										
	295657	Ring Set—Std. Piston Consists of: 210796 Ring, Piston, Comp., Top, Std. 210797 Ring, Piston, Comp., Center, Std. 295661 Ring, Oil (with expander), Std.			with No. 292259 Rotocap— See Ref. No. 40) Used on Model 80700 Series type Nos. 0149, 944143, 944168.			210549 Gear—Cam Used on Model 80700 Series type Nos. 944030, 944047, 944048; also used on Model 81700 Series type Nos. 944523, 944538, 944545, 944564, 944569, 944578, 944751.		
	295658	Ring Set—.010" O.S. Piston Consists of: 210799 Ring, Piston, Comp., Top, .010" O.S. 210798 Ring, Piston, Comp., Center, .010" O.S. 295662 Ring, Oil (with expander), .010" O.S.	34	296677	Valve—Intake <b>Note:</b> 230101 Valve—Intake Used on Model 80700 Series type Nos. 0149, 944143, 944168.			210804 Gear—Cam (3/4" dia. Shaft P. T. O. end) Used on Model 80790 to 80797 and 81790 to 81797 Series ——— For 1/2" dia. P. T. O. end Cam Gear for these Model Series ——— order No. 211337.		
	295659	Ring Set—.020" O.S. Piston Consists of: 210801 Ring, Piston, Comp., Top, .020" O.S. 210800 Ring, Piston, Comp., Center, .020" O.S. 295663 Ring, Oil (with expander), .020" O.S.	35	260552	Spring—Intake Valve			47	294652	Oil Slinger Gear and Brkt. <b>Note:</b> 294718 Oil Slinger Gear and Bracket Used on Model 80790 to 80797 and 81790 to 81797 Series with 3/4" dia. Auxiliary P. T. O. Shaft — For these Model Series with 1/2" dia. Auxiliary P. T. O. Shaft use Part 294652.
	295660	Ring Set—.030" O.S. Piston Consists of: 210803 Ring, Piston, Comp., Top, .030" O.S. 210802 Ring, Piston, Comp., Center, .030" O.S. 295664 Ring, Oil (with expander), .030" O.S.	36	26478	Spring—Exhaust Valve <b>Note:</b> 26826 Spring—Exhaust Valve Used on Model 80700 Series type Nos. 0149, 944143, 944168.			51	27355	Gasket—Carburetor Mtg.
27	26026	Lock—Piston Pin	40	93312	Retainer—Valve Spring (Used with Valves with groove in Stem) <b>Note:</b> 23184 Retainer—Valve Spring 23187 Pin—Valve Spring Retainer Used with Valves with hole in Stem. 292259 Rotocap—Exhaust Valve Used on Model 80700 Series type Nos. 0149, 944143, 944168. Uses: 230126 Pin— Exhaust Valve Rotocap Retainer 230127 Retainer— Exhaust Valve Rotocap			53	93353	Screw—Carburetor Mtg.
28	291925	Pin Assy.—Piston—Std.						56	294088	Pulley—Rewind Starter
	291926	Pin Assy.—Piston— .005" O.S.	45	230173	Tappet—Valve			57	294303	Spring—Rewind Starter
29	294201	Rod Assy.—Connecting	46	210453	Gear—Cam <b>Note:</b> 210443 Gear—Cam Used on Model 80700 Series type Nos. 944018, 944029, 944038, 944056, 944063, 944196; also used on Model 81700 Series type Nos. 944524, 944534, 944540, 944542, 944543, 944546, 944554, 944582, 944750.			58	66384	Rope—Rewind Starter— 47-1/8" long <b>Note:</b> If longer rope is needed, order No. 66514 and cut to required length.
31	220756	Lock—Conn. Rod Screw						59	230228	Pin—Starter Rope
32	92296	Screw—Connecting Rod						60	66728	Grip—Starter Rope
33	296676	Valve—Exhaust (Grooved Stem—Includes Retainer) <b>Note:</b> 260075 Valve—Exhaust (with Hole in Stem—Used						61	66528	Bumper—Starter Pulley
								66	296468	Clutch Assy.—Rewind and Wind-Up Starter
								67	210400	Housing—Starter Clutch
								68	63770	Ball—Clutch
								70	296597	Ratchet—Starter
								71	221301	Washer—Clutch Retainer <b>Note:</b> 220575 Washer—Retainer (Used only with 7 point shank ratchet)
								72	26032	Spring—Clutch Retainer

**80700 To 80797**  
**81700 To 81797**

REF. NO.	PART NO.	DESCRIPTION	REF. NO.	PART NO.	DESCRIPTION	REF. NO.	PART NO.	DESCRIPTION
73	220648	Screen--Starter Pulley		944164, 944166, 944170,		126	294717	Body Assy. --Carburetor
74	93042	Screw- Rotating Screen Mounting Sem		944176, 944178, 944179,				(Choke-A-Matic)
75	220865	Washer--Spring (Used to lock starter clutch)		944180, 944181, 944183,				<b>Note:</b> 294712 Body Assy. --
76	66738	Washer--Ratchet Sealing (Used only with 7 point shank ratchet)		944184, 944196, 944202,				Carburetor (Manual Choke)
78	93014	Screw--Pulley Screen Mounting Sem		944205, 944207, 944209,				Used on Model 80700
94	†292681	Valve Assy. --Carb. Idle		944210, 944218, 944223,				Series type Nos. 0010,
95	93038	Screw--Choke and Throttle Valve Mounting Sem		944226, 944229, 944231;				0015, 0016, 0017, 0018,
98	91920	Screw--Machine, Fill. Hd. --8-32 x 5/8"		also used on Model 81700				0020, 0040, 0041, 0042,
99	†26157	Spring--Throttle Adjustment		Series type Nos. 0110,				0110, 0115, 0118, 0128,
101	93043	Pin--Throttle Stop		0115, 0118, 0128, 0131,				0133, 0136, 0142, 0143,
104	†23114	Pin--Float Hinge		0132, 0135, 0136, 0137,				0158, 0159, 0160, 0166,
120	92290	Washer--Lock-- No. 10 x 1/16 x 3/64"		0143, 0144, 0149, 0151,				0167, 0171, 0172, 0173,
125	294716	Carburetor Assy. (Choke-A-Matic)		0156, 0157, 0160, 0161,				944010, 944011, 944012,
		<b>Note:</b> 294713 Carburetor Assy. (Manual Choke)		944510, 944511, 944512,				944014, 944016, 944020,
		Used on Model 80700		944514, 944524, 944541,				944022, 944023, 944024,
		Series type Nos. 0010,		944542, 944543, 944556,				944025, 944026, 944028,
		0015, 0016, 0017, 0018,		944561, 944564, 944565,				944029, 944030, 944032,
		0020, 0040, 0041, 0042,		944571, 944574, 944575,				944035, 944037, 944038,
		0110, 0115, 0118, 0128,		944577, 944585, 944587,				944040, 944041, 944047,
		0133, 0136, 0142, 0143,		944588, 944589, 944597,				944051, 944060, 944063,
		0158, 0159, 0160, 0166,		944599, 944600, 944601,				944064, 944075, 944078,
		0167, 0171, 0172, 0173,		944603, 944609, 944613,				944083, 944087, 944090,
		944010, 944011, 944012,		944627, 944630, 944631,				944091, 944094, 944110,
		944014, 944016, 944020,		944632, 944633, 944634,				944112, 944116, 944118,
		944022, 944023, 944024,		944637, 944639, 944646,				944128, 944134, 944138,
		944025, 944026, 944028,		944647, 944650, 944655,				944141, 944143, 944145,
		944029, 944030, 944032,		944657, 944659, 944661,				944150, 944153, 944154,
		944035, 944037, 944038,		944663, 944666, 944675,				944158, 944160, 944163,
		944040, 944041, 944047,		944676, 944679, 944680,				944164, 944166, 944170,
		944051, 944060, 944063,		944681, 944683, 944684,				944176, 944178, 944179,
		944064, 944075, 944078,		944686, 944689, 944692,				944180, 944181, 944183,
		944083, 944087, 944090,		944693, 944695, 944696,				944184, 944196, 944202,
		944091, 944094, 944110,		944697, 944701, 944704,				944205, 944207, 944209,
		944112, 944116, 944118,		944707, 944708, 944709,				944210, 944218, 944223,
		944128, 944134, 944138,		944715, 944716, 944718,				944226, 944229, 944231;
		944141, 944143, 944145,		944722, 944723, 944724,				also used on Model 81700
		944150, 944153, 944154,		944726, 944731, 944732,				Series type Nos. 0110,
		944158, 944160, 944163,		944734, 944735, 944737,				0115, 0118, 0128, 0131,
		944164, 944166, 944170,		944746, 944747, 944748,				0132, 0135, 0136, 0137,
		944176, 944178, 944179,		944749, 944750, 944751,				0143, 0144, 0149, 0151,
		944180, 944181, 944183,		944753, 944765, 944767,				0156, 0157, 0160, 0161,
		944184, 944196, 944202,		944768, 944769, 944770,				944510, 944511, 944512,
		944205, 944207, 944209,		944774, 944776, 944782,				944514, 944524, 944541,
		944210, 944218, 944223,		944785, 944786, 944788,				944542, 944543, 944556,
		944226, 944229, 944231;		944790, 944791, 944795,				944561, 944564, 944565,
		also used on Model 81700		944797, 944799, 944800,				944571, 944574, 944575,
		Series type Nos. 0110,		944803, 944804, 944805,				944577, 944585, 944587,
		0115, 0118, 0128, 0131,		944807, 944808, 944813,				944588, 944589, 944597,
		0132, 0135, 0136, 0137,		944823, 944830, 944833,				944599, 944600, 944601,
		0143, 0144, 0149, 0151,		944836, 944837.				944603, 944609, 944613,
		0156, 0157, 0160, 0161,						
		944510, 944511, 944512,						
		944514, 944524, 944541,						
		944542, 944543, 944556,						
		944561, 944564, 944565,						
		944571, 944574, 944575,						
		944577, 944585, 944587,						
		944588, 944589, 944597,						
		944599, 944600, 944601,						
		944603, 944609, 944613,						

† Included in Carburetor Overhaul Kit--  
Part No. 294714



REF. PART NO. NO.	DESCRIPTION	REF. PART NO. NO.	DESCRIPTION	REF. PART NO. NO.	DESCRIPTION				
	944627, 944630, 944631, 944632, 944633, 944634, 944637, 944639, 944646, 944647, 944650, 944655, 944657, 944659, 944661, 944663, 944666, 944675, 944676, 944679, 944680, 944681, 944683, 944684, 944686, 944689, 944692, 944693, 944695, 944696, 944697, 944701, 944704, 944707, 944708, 944709, 944715, 944716, 944718, 944722, 944723, 944724, 944726, 944731, 944732, 944734, 944735, 944737, 944746, 944747, 944748, 944749, 944750, 944751, 944753, 944765, 944767, 944768, 944769, 944770, 944774, 944776, 944782, 944785, 944786, 944788, 944790, 944791, 944795, 944797, 944799, 944800, 944803, 944804, 944805, 944807, 944808, 944813, 944823, 944830, 944833, 944836, 944837.		Uses: <b>23270</b> Screw— Choke Lever <b>26229</b> Spring— Choke Lever <b>220886</b> Valve— Choke <b>220899</b> Washer Used on Model 80700 Series type Nos. 0010, 0015, 0016, 0017, 0018, 0020, 0040, 0041, 0042, 0110, 0115, 0118, 0128, 0133, 0136, 0142, 0143, 0158, 0159, 0166, 0167, 0171, 0172, 0173, 944010, 944011, 944012, 944014, 944016, 944020, 944022, 944023, 944024, 944025, 944026, 944028, 944029, 944030, 944032, 944035, 944037, 944038, 944040, 944041, 944047, 944051, 944060, 944063, 944064, 944075, 944078, 944083, 944087, 944090, 944091, 944094, 944110, 944112, 944116, 944118, 944128, 944134, 944138, 944141, 944143, 944145, 944150, 944153, 944154, 944158, 944160, 944163, 944164, 944166, 944170, 944176, 944178, 944179, 944180, 944181, 944183, 944184, 944196, 944202, 944205, 944207, 944209, 944210, 944218, 944223, 944226, 944229, 944231; also used on Model 81700 Series type Nos. 0110, 0115, 0118, 0128, 0131, 0132, 0135, 0136, 0137, 0143, 0144, 0149, 0151, 0156, 0157, 0160, 0161, 944510, 944511, 944512, 944514, 944524, 944541, 944542, 944543, 944556, 944561, 944564, 944565, 944571, 944574, 944575, 944577, 944585, 944587,		944588, 944589, 944597, 944599, 944600, 944601, 944603, 944609, 944613, 944627, 944630, 944631, 944632, 944633, 944634, 944637, 944639, 944646, 944647, 944650, 944655, 944657, 944659, 944661, 944663, 944666, 944675, 944676, 944679, 944680, 944681, 944683, 944684, 944686, 944689, 944692, 944693, 944695, 944696, 944697, 944701, 944704, 944707, 944708, 944709, 944715, 944716, 944718, 944722, 944723, 944724, 944726, 944731, 944732, 944734, 944735, 944737, 944746, 944747, 944748, 944749, 944750, 944751, 944753, 944765, 944767, 944768, 944769, 944770, 944774, 944776, 944782, 944785, 944786, 944788, 944790, 944791, 944795, 944797, 944799, 944800, 944803, 944804, 944805, 944807, 944808, 944813, 944823, 944830, 944833, 944836, 944837.		<b>127</b> †220751 Plug—Welch <b>128</b> 210528 Venturi—Carburetor <b>129</b> 23230 Bushing—Throttle Shaft <b>130</b> 220791 Valve—Throttle <b>131</b> 294437 Shaft and Lever Assy.— Throttle <b>132</b> 61967 Stop—Throttle <b>133</b> 293477 Float—Carburetor <b>134</b> †293478 Valve and Seat—Fuel Inlet <b>135</b> †68877 Gasket—Fuel Inlet Seat <b>136</b> 220761 Bowl—Float <b>137</b> †27682 Gasket—Float Bowl <b>138</b> †221172 Washer—Float Bowl Mtg. <b>139</b> 93086 Screw—Carburetor Bowl Mounting <b>141</b> 297024 Valve, Shaft and Lever Assembly—Choke (Choke-A-Matic) <b>Note:</b> 294874 Valve, Shaft and Lever Assy.—Choke (Manual Choke)		<b>142</b> †294481 Nozzle—Carburetor <b>143</b> †294473 Valve—Needle <b>144</b> 260256 Spring—Needle Valve <b>145</b> 294714 Carburetor Overhaul Kit <b>160</b> 294872 Cleaner Assembly—Air (with mounting stud) <b>161</b> 293991 Bowl—Air Cleaner <b>162</b> 294802 Cover and Filter—Air Cleaner (with mounting stud) <b>163</b> *27660 Gasket—Air Cleaner Mtg. <b>171</b> 92129 Nut—Hex. —1/4-28 <b>172</b> 27795 Gasket—Air Cleaner <b>180</b> 293514 Tank Assembly—Fuel <b>Note:</b> 290816 Tank Assy.—Fuel Used on Model 80700 Series type Nos. 944193, 944226.

\* Included in Gasket Set—Part No. 297275

† Included in Carburetor Overhaul Kit—  
Part No. 294714

**80700 To 80797**  
**81700 To 81797**

REF. NO.	PART NO.	DESCRIPTION	REF. NO.	PART NO.	DESCRIPTION	REF. NO.	PART NO.	DESCRIPTION
		Uses: <b>221087</b> Bracket—Tank, Left Hand <b>221088</b> Bracket—Tank, Right Hand <b>291367</b> Strap—Tank (2) Uses: <b>90970</b> Nut <b>91257</b> Screw			944762, 944763, 944802, 944809, 944810, 944824. <b>260715</b> Spring—Governor (for 3200 to 3400 rpm top speed — no load) Used on and after Serial No. 6212310 on Model 80700 Series type Nos. 0019, 0021, 0030, 0031, 0040, 0043, 0044, 0140, 0141, 0149, 0150, 0153, 0158, 0162, 0165, 0168, 0169, 0170, 0171, 944168, 944220, 944228, 944230, 944236, 944238, 944239, 944245, 944257, 944260, 944263, 944264, 944265; also used on Model 81700 Series type Nos. 0147, 0152, 0153, 0154, 0155, 0159, 0165, 0167, 944562, 944720, 944762, 944763, 944802, 944809, 944810, 944822, 944824, 944834, 944835.			<b>276</b> <b>22834</b> Washer—Spacer <b>277</b> <b>22368</b> Washer—Control Lever <b>278</b> <b>22725</b> Washer—Control Lever <b>279</b> <b>92306</b> Screw—Cap, Hex. Hd. — 1/4-28 x 5/8" <b>282</b> <b>93106</b> Screw—Speed Control Mounting Sem <b>283</b> <b>294946</b> Control—Speed (Used with Choke-A-Matic remote control) <b>Note:</b> <b>294817</b> Control—Speed (Manual Choke) Used on Model 80700 Series type Nos. 0010, 0015, 0016, 0017, 0018, 0020, 0040, 0041, 0042, 0110, 0115, 0118, 0128, 0133, 0136, 0143, 0158, 0159, 0166, 0167, 0171, 0172, 0173, 944010, 944011, 944012, 944014, 944016, 944020, 944022, 944023, 944024, 944025, 944026, 944028, 944029, 944030, 944032, 944035, 944037, 944038, 944040, 944041, 944047, 944051, 944060, 944063, 944064, 944075, 944078, 944083, 944087, 944090, 944091, 944094, 944110, 944112, 944116, 944118, 944128, 944134, 944138, 944141, 944143, 944145, 944150, 944153, 944154, 944158, 944160, 944163, 944164, 944166, 944170, 944176, 944178, 944179, 944180, 944181, 944183, 944184, 944196, 944202, 944205, 944207, 944209, 944210, 944218, 944223, 944226, 944229, 944231; also used on Model 81700 Series type Nos. 0110, 0115, 0118, 0128, 0131, 0132, 0135, 0136, 0137, 0143, 0144, 0149, 0151, 0156, 0157, 0160, 0161, 944510, 944511, 944512,
<b>181</b>	<b>293270</b>	Cap—Fuel Tank <b>Note:</b> <b>69221</b> Cap—Fuel Tank Used on Model 80700 Series type Nos. 944193, 944226.						
<b>186</b>	<b>66111</b>	Connector—Fuel Pipe						
<b>187</b>	<b>294539</b>	Pipe—Fuel						
<b>198</b>	<b>293934</b>	Valve—Fuel Shut-Off						
<b>199</b>	<b>292797</b>	Outlet—Fuel Tank (includes strainer)						
<b>200</b>	<b>294617</b>	Blade—Governor (Used before Serial No. 6212310)						
<b>200A</b>	<b>297309</b>	Blade—Governor (Used before Serial No. 6212310) <b>Note:</b> <b>294617</b> Blade—Governor Used on Model 80700 Series type No. 0149.						
<b>210</b>	<b>260136</b>	Spring—Choke Return (Choke-A-Matic)	<b>264</b>	<b>90355</b>	Nut—Hex.—No. 10-32			
<b>211</b>	<b>260137</b>	Link—Choke Return (Choke-A-Matic)	<b>265</b>	<b>220796</b>	Clamp—Remote Control Casing			
<b>213</b>	<b>260120</b>	Link—Governor	<b>268</b>	<b>66986</b>	Casing—Control Wire—48" long <b>Note:</b> If longer casing is needed, specify length in inches; if a shorter casing is needed order No. 66986 and cut to required length.			
<b>214</b>	<b>260179</b>	Spring—Governor <b>Note:</b> <b>260261</b> Spring—Governor Used on Model 80700 Series type Nos. 944119, 944136, 944255; also used on Model 81700 Series type Nos. 944645, 944656, 944793. <b>260605</b> Spring—Governor (for 3200 to 3400 rpm top speed set — no load) Used before Serial No. 6212310 on Model 80700 Series type Nos. 944228, 944230, 944236, 944238, 944239, 944245; also used on Model 81700 Series type Nos. 944562, 944720,	<b>269</b>	<b>26099</b>	Wire—Control—54" long <b>Note:</b> If longer wire is needed, specify length in inches; if shorter wire is needed order No. 26099 and cut to required length.			
			<b>270</b>	<b>63426</b>	Locknut—Control Wire Casing			
			<b>271</b>	<b>290568</b>	Lever Assembly—Control			
			<b>272</b>	<b>290584</b>	Base—Control Lever			
			<b>273</b>	<b>290642</b>	Lever—Control			
			<b>274</b>	<b>91237</b>	Washer—Lock—1/4 x 3/32 x 5/64"			
			<b>275</b>	<b>92287</b>	Screw—Machine, Rd. Hd.—10-32 x 1/4"			

REF. NO.	PART NO.	DESCRIPTION	REF. NO.	PART NO.	DESCRIPTION	REF. NO.	PART NO.	DESCRIPTION	
		944514, 944524, 944541, 944542, 944543, 944556, 944561, 944564, 944565, 944571, 944574, 944575, 944577, 944585, 944587, 944588, 944589, 944597, 944599, 944600, 944601, 944603, 944609, 944613, 944627, 944630, 944631, 944632, 944633, 944634, 944637, 944639, 944646, 944647, 944650, 944655, 944657, 944659, 944661, 944663, 944666, 944675, 944676, 944679, 944680, 944681, 944683, 944684, 944686, 944689, 944692, 944693, 944695, 944696, 944697, 944701, 944704, 944707, 944708, 944709, 944715, 944716, 944718, 944722, 944723, 944724, 944726, 944731, 944732, 944734, 944735, 944737, 944746, 944747, 944748, 944749, 944750, 944751, 944753, 944765, 944767, 944768, 944769, 944770, 944774, 944776, 944782, 944785, 944786, 944788, 944790, 944791, 944795, 944797, 944799, 944800, 944803, 944804, 944805, 944807, 944808, 944813, 944823, 944831, 944833, 944836, 944837.			also used on Model 81700 Series type Nos. 944569, 944608, 944795, 944798, 944800, 944830. <b>295905</b> Muffler—Exhaust Used on Model 80700 Series type Nos. 0150, 944162, 944221; also used on Model 81700 Series type Nos. 0159, 0165, 944576, 944581, 944590, 944712, 944714, 944834, 944835.				<b>295628</b> Blower Housing with Fuel Tank (For Rewind Starter) (For Blower and Rewind Starter Housing for screw mounted tank used on engines before Serial No. 5808060 order Part No. 294657) Used on Model 80700 Series type Nos. 0021, 0044, 0140, 0155, 944019, 944021, 944031, 944033, 944042, 944043, 944045, 944046, 944050, 944055, 944056, 944057, 944061, 944071, 944076, 944077, 944079, 944087, 944088, 944089, 944093, 944099, 944104, 944105, 944106, 944107, 944111, 944113, 944114, 944115, 944117, 944121, 944129, 944135, 944142, 944156, 944161, 944169, 944174, 944175, 944236, 944268; also used on Model 81700 Series type Nos. 0144, 0150, 0159, 0165, 944517, 944522, 944523, 944525, 944534, 944535, 944536, 944539, 944540, 944553, 944554, 944555, 944557, 944572, 944573, 944574, 944576, 944578, 944582, 944584, 944586, 944590, 944593, 944595, 944598, 944604, 944605, 944606, 944607, 944610, 944611, 944612, 944614, 944619, 944620, 944621, 944622, 944624, 944626, 944634, 944640, 944642, 944643, 944651, 944652, 944653, 944666, 944670, 944671, 944709, 944715, 944718, 944730, 944768, 944796, 944834, 944835. <b>295631</b> Blower Housing with Fuel Tank (For Rewind Starter)
		<b>298291</b> Control—Speed (Manual Choke) Used on Model 80700 Series type Nos. 0142, 0160.							
284	93108	Screw—Clamp Mounting							
297	91811	Locknut—Exhaust Elbow							
298	220859	Locknut—Muffler							
299	294441	Muffler—Exhaust (Lo-Tone)							
300	89966	Muffler—Exhaust							
	<b>Note:</b>	<b>292054</b> Muffler—Exhaust Used on Model 80700 Series type Nos. 0162, 944040, 944205, 944260;	303	91810	Elbow—Exhaust— (45° Street) <b>Note:</b> <b>91943</b> Elbow—Exhaust (90° Street) Used on Model 80700 Series type Nos. 0153, 0161, 944024, 944083, 944184, 944192, 944228, 944238, 944242, 944253; also used on Model 81700 Series type Nos. 944567, 944608, 944746, 944802, 944816.				
			304	295627	Blower Housing with Fuel Tank (For Rewind Starter) (For Blower and Rewind Starter Housing for screw mounted tank used on engines before Serial No. 5808060, order Part No. 294271) <b>Note:</b> <b>294268</b> Housing—Blower (For Rope Starter) Used on Model 80701, 81701 Series. <b>295329</b> Blower Hsg. and Brackets Assy. with Fuel Tank (For Electric Starter) (For Blower Housing and Brackets Assy. — Electric Starter for screw mounted tank used on engines be- fore Serial No. 5808060 order Part No. 295727) Used on Model 80703, 80793, 81703, 81793 Series.				

**80700 To 80797**  
**81700 To 81797**

REF. NO.	PART NO.	DESCRIPTION	REF. NO.	PART NO.	DESCRIPTION	REF. NO.	PART NO.	DESCRIPTION			
		(For Blower and Rewind Starter Housing for screw mounted tank used on engines before Serial No. 5808060 order Part No. 294277) Used on Model 80700 Series type Nos. 0018, 0041, 0158, 0159, 0165, 0167, 0171, 944026, 944030, 944040, 944044, 944048, 944063, 944066, 944072, 944078, 944083, 944085, 944090, 944091, 944092, 944096, 944097, 944116, 944126, 944127, 944128, 944131, 944154, 944180, 944183, 944220, 944229, 944262; also used on Model 81700 Series type Nos. 0133, 0138, 0158, 0160, 944538, 944567, 944570, 944596, 944608, 944628, 944633, 944644, 944648, 944649, 944658, 944660, 944677, 944702, 944732, 944748, 944751, 944752, 944772, 944789, 944795, 944798, 944837.			<b>295639</b> Blower Housing with Fuel Tank (For Rewind Starter) Used on Model 80700 Series type No. 944162; also used on Model 81700 Series type No. 944764.	<b>306</b>	<b>220478</b>	Shield—Cylinder			
		<b>295634</b> Blower Housing with Fuel Tank (For Rewind Starter) Used on Model 80700 Series type Nos. 944098, 944123, 944178, 944232; also used on Model 81700 Series type Nos. 944559, 944618, 944728.			<b>296113</b> Blower Housing with Fuel Tank (For Rewind Starter) Used on Model 80700 Series type No. 944144; also used on Model 81700 Series type No. 944674.	<b>307</b>	<b>93042</b>	Screw—Cylinder Shield Mounting Sem			
		<b>295635</b> Blower Housing with Fuel Tank (For Rewind Starter) (For Blower and Rewind Starter Housing for screw mounted tank used on engines before Serial No. 5808060 order Part No. 295061) Used on Model 80700 Series type Nos. 944034, 944036, 944101.			<b>296324</b> Blower Housing with Fuel Tank (For Wind-Up Starter) (Also see Part No. 297467) Used on Model 80706, 80796, 81706, 81796 Series engines.	<b>308</b>	<b>220581</b>	Cover—Cylinder Head <b>Note:</b> <b>220354</b> Cover—Cyl. Head Used on type No. 944060.			
			<b>305</b>	<b>93158</b>	<b>296940</b> Housing—Blower with Fuel Tank (For Rewind Starter) Used on Model 81700 Series type Nos. 0143, 0146, 0156, 0168, 944771, 944791, 944820, 944833.	<b>309</b>	<b>295188</b>	Motor—Electric Starter			
					<b>297231</b> Housing—Blower (For Rewind Starter) Used on Model 80700 Series type Nos. 0146, 944217; also used on Model 81700 Series type Nos. 0147, 944793, 944802.	<b>310</b>	<b>93239</b>	Bolt—Case			
					<b>297467</b> Housing—Blower (For Wind-Up Starter) Used on Model 80700 Series type Nos. 0152, 944225, 944237.	<b>311</b>	<b>295697</b>	Brush—Starter Motor			
					<b>305</b>	<b>93158</b>	<b>Note:</b> <b>92666</b> Screw—Cap, Hex. Hd. —1/4-20 x 1/2"	<b>312</b>	<b>260404</b>	Spring—Brush	
								<b>92778</b> Washer—Lock Used on Model 80700 Series type Nos. 0149, 944143, 944168 to mount the Blower Housing.	<b>321</b>	<b>210711</b>	Pulley—Electric Starter <b>Note:</b> When ordering this pulley, order No. 67238 Vee—Belt also.
									<b>323</b>	<b>67238</b>	Vee—Belt <b>Note:</b> <b>67028</b> Vee—Belt Used on engines before Serial No. 5903020.
									<b>324</b>	<b>220648</b>	Screen—Electric Starter
									<b>325</b>	<b>293959</b>	Starter Pulley with Screen
									<b>328</b>	<b>221039</b>	Guard—Belt
									<b>329</b>	<b>93014</b>	Screw—Belt Guard Mounting Sem
									<b>330</b>	<b>29878</b>	Rope—Starter
									<b>331</b>	<b>62577</b>	Washer—Flywheel
									<b>332</b>	<b>91708</b>	Nut—Flywheel
									<b>333</b>	<b>291617</b>	Armature—Magneto (Std.) (Used before Serial No. 6212310) <b>Note:</b> <b>295680</b> Armature—Magneto Used on Model 80700 Series type Nos. 0149, 944143, 944168. Uses: <b>66298</b> Bushing—Terminal <b>92704</b> Terminal <b>295179</b> Shielding—Ignition Cable
									<b>333A</b>	<b>297307</b>	Armature—Magneto (Used on and after Serial No. 6212310)
									<b>334</b>	<b>93381</b>	Screw—Armature Mtg. Sem
									<b>335</b>	<b>93381</b>	Screw—Coil Lead and Armature Mounting Sem
									<b>336</b>	<b>292149</b>	Cable—Ignition (Std.) (Used before Serial No. 6212310) <b>Note:</b> <b>293141</b> Cable—Ignition Used on type Nos. 944143, 944168 before Serial No.

REF. NO.	PART NO.	DESCRIPTION	REF. NO.	PART NO.	DESCRIPTION	REF. NO.	PART NO.	DESCRIPTION
		6008020; after this Serial Number, Cable is part of Coil.			944203, 944209, 944251, 944252, 944254; also used on Model 81700			942055, 944056, 944067, 944072, 944074, 944077, 944079, 944098, 944115, 944123, 944129, 944171, 944172, 944178, 944180, 944181, 944186, 944236, 944239; also used on Model 81700 Series type Nos. 0133, 0134, 0137, 0158, 0160, 0161, 944515, 944516, 944517, 944521, 944523, 944526, 944527, 944531, 944532, 944534, 944535, 944549, 944557, 944561, 944564, 944565, 944570, 944585, 944588, 944597, 944598, 944619, 944620, 944625, 944630, 944631, 944632, 944639, 944642, 944643, 944648, 944650, 944657, 944658, 944660, 944675, 944677, 944690, 944691, 944693, 944694, 944699, 944700, 944705, 944706, 944710, 944715, 944716, 944717, 944720, 944721, 944735, 944794, 944811, 944813, 944837.
337	29693	Plug—Spark (with Gasket)	363	19069	Puller—Flywheel (Optional Accessory)	408	93157	Screw—Self-Tapping
	Note:	292519 Plug—Spark	364	295698	Plug—Connector	409	294930	Crown Sector and Lever Assembly
		Used on Model 80700	365	93241	Screw—Plug Mtg. (long)		Note:	294931 Crown Sector and Lever Assembly
		Series type Nos. 0149, 944143, 944168.	366	93240	Screw—Plug Mtg. (short)			Used on Model 80700
		293918 Plug—Spark	370	66432	Washer—Flat			Series type Nos. 0019, 0145, 0169, 0174, 944027, 944049, 944081, 944085, 944086, 944092, 944152, 944185, 944187, 944188, 944191, 944214, 944245; also used on Model 81700 Series type Nos. 0148, 0154, 0162, 0163, 0167, 944530, 944551, 944566, 944616, 944617, 944654, 944711, 944738, 944743, 944781, 944784, 944822, 944838, 944839.
		Used on Model 80700	371	260275	Restrictor—Belt			944781, 944784, 944822, 944838, 944839.
		Series type Nos. 0146, 0147, 944119, 944136, 944217, 944255; also used on Model 81700	372	220477	Clamp—Condenser			
		Series type Nos. 944645, 944656, 944793.	373	92987	Nut—Condenser Terminal			
338	29806	Gasket—Spark Plug	374	92813	Washer—Lock—Shakeproof			
340	26018	Spring—Breaker Arm	375	294628	Breaker Points and Condenser Set			
341	93381	Screw—Contact Finger Post Mounting Sem		Note:	293999 Wire—Condenser Ground			
342	65704	Plunger—Breaker Point			92791 Washer—Lock—Shakeproof (2)			
344	93042	Screw—Condenser Clamp Mounting Sem			90576 Nut—Hex. —8-32			
345	220366	Cover—Breaker Point and Condenser			90072 Screw—Machine, Rd. Hd. —8-32 x 5/8"			
346	93014	Screw—Dust Cover Mounting Sem			66895 Insulator—Term. Used on Model 80700			
347	220884	Switch—Stop			Series type No. 944083; also used on Model 81700			
	Note:	293739 Switch—Stop			Series type No. 944655.			
		Used on type No. 944209.			293999 Wire—Condenser Ground			
348	66898	Block—Switch			92791 Washer—Lock—Shakeproof (2)			
349	220902	Blade—Switch			90576 Nut—Hex. 8-32			
356	296185	Wire—Ground			90072 Screw—Machine, Rd. Hd. —8-32 x 5/8"			
358	297275	Gasket Set			66935 Insulator—Term. Used on Model 80700			
359	93149	Screw—Machine, Rd. Hd. —5-40 x 3/8"			Series type No. 944143.			
360	93150	Nut—Square—5-40	377	93065	Key—Woodruff No. 505			
361	91432	Screw—Machine, Fill. Hd. —10-32 x 7/8"	383	89838	Wrench—Spark Plug			
362	291630	Shield—Spark Plug	406	260255	Spring—Breather Tube			
	Note:	66538 Elbow—Spark Plug	407	220918	Crown—Blower Housing			
		Used on Model 80700		Note:	220928 Crown—Blower Hsg. (less sector hole)			
		Series type Nos. 0139, 0157, 0174, 944049, 944155, 944162, 944191,			Used on Model 80700			
					Series type Nos. 0132, 0137, 944031, 944048, 944052,			

**80700 To 80797**  
**81700 To 81797**

REF. NO.	PART NO.	DESCRIPTION	REF. NO.	PART NO.	DESCRIPTION	REF. NO.	PART NO.	DESCRIPTION
410	260184	Link Speed Control	465	221226	Washer--Holder Assembly Mounting (2)	535	27987	Element--Air Cleaner
455	296455	Cup, Hub and Spring Assy.	466	93272	Retainer--Holder Control Knob		<b>Note:</b> 270067	Element--Air Cleaner
	<b>Note:</b> 296327	Cup and Spring Assembly Used on earlier model engines.	467	211017	Knob--Control			Used on Model 81700 Series type No. 0137.
456	221222	Plate Retainer	508	93294	Screw- Blower Housing Mounting Sem	536	296766	Cleaner Assembly--Air
457	296264	Hub and Spring Assembly Used on earlier model engines.	513	296567	Clutch Assy. --Electric Starter		<b>Note:</b> 297595	Cleaner Assy. -- Air
458	296251	Handle Assy. --Cranking	515	260537	Spring--Ratchet Pawl			Used on Model 81700 Series type No. 0137.
459	221332	Pawl--Ratchet (Single Acting)	516	260374	Spring--Connector (Condenser Post)	537	27994	Gasket--Air Cleaner
	<b>Note:</b> 221220	Pawl- Ratchet (Double Acting) Used on earlier model engines.	521	297973	Shielding--Ignition Cable Used after Serial No. 6212310 on cables integral with ignition coil on type Nos. 944192, 944238.	544	296769	Armature--Electric Starter
460	93272	Retainer Ratchet Pawl	534	93324	Screw--Air Cleaner	545	296770	Case Assembly--Long Shaft End
461	93298	Screw- Handle Mounting		<b>Note:</b> 230058	Stud--Air Cleaner	546	296775	Case Assembly--Short Shaft End
462	221237	Washer--Handle Mounting		92067	Nut--Wing	547	270025	Washer--Fibre
463	296445	Holder Assy. -Flywheel		90355	Nut--Hex.	548	221381	Washer--Thrust (Steel)
464	93291	Rivet--Holder Assembly Mounting (2)			Used on Model 80700 Series type No. 0166.	665	296768	Oil Minder

