

81200 to 81299

Illustrated Parts List

Model Series 81200 to 81299

TYPE NUMBERS

0101 through 0105

0203 through 0225

0228 through 0254

0400 through 0404

0410, 0411

2035 through 2049

2136 and 2149

and 9044

9204 through 9206

9226 through 9232

and 9236

TO FIND

THE CORRECT NUMBER OF THE PART YOU NEED:

FOLLOW THE INSTRUCTIONS BELOW

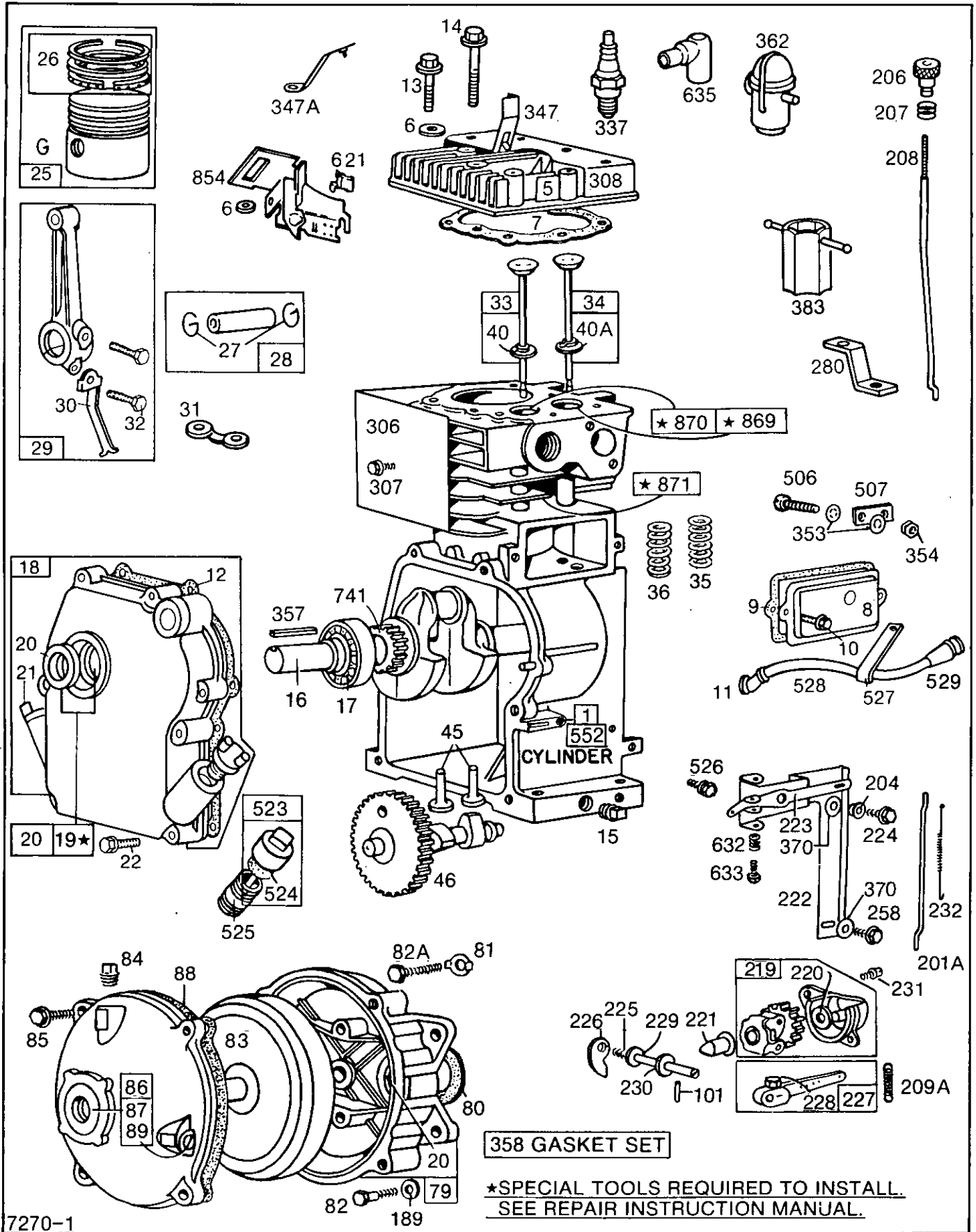
- A. Refer to Engine Model, Type and Code Number that is stamped on the blower housing of engine. Engine type numbers such as 012301 are listed herein only as 0123. The two digits (01 or 02, etc.) to the right of the space are not needed for parts identification. Then use the Illustrated Parts List covering the Model Series.
- B. Refer to Illustrated Parts section and compare the old part with illustration. The number on the illustration is the Reference Number. Assemblies include all parts shown in frames. All parts shown in assembly frames on which individual reference numbers are given can be purchased separately.
- C. After the Reference Number has been identified, refer to the Numerical Parts List, where Reference and Master Part Number are listed. **THE MASTER PART IS USED ON ALL TYPE NUMBERS EXCEPT THOSE TYPE NUMBERS UNDER "NOTE".**
- D. If a "Note" appears below the Master Part Number, this means that this part differs from the Master Part for certain types. If the Type number is listed under "Note", order the part referred to.
- E. If the Engine Type Number does not appear after any part number listed under "Note", use the Master Part Number.
- F. For Type Numbers higher than those covered by this book, please refer to the factory if you are unable to identify the part by comparison.

PRINTED IN U.S.A.

COPYRIGHT ©



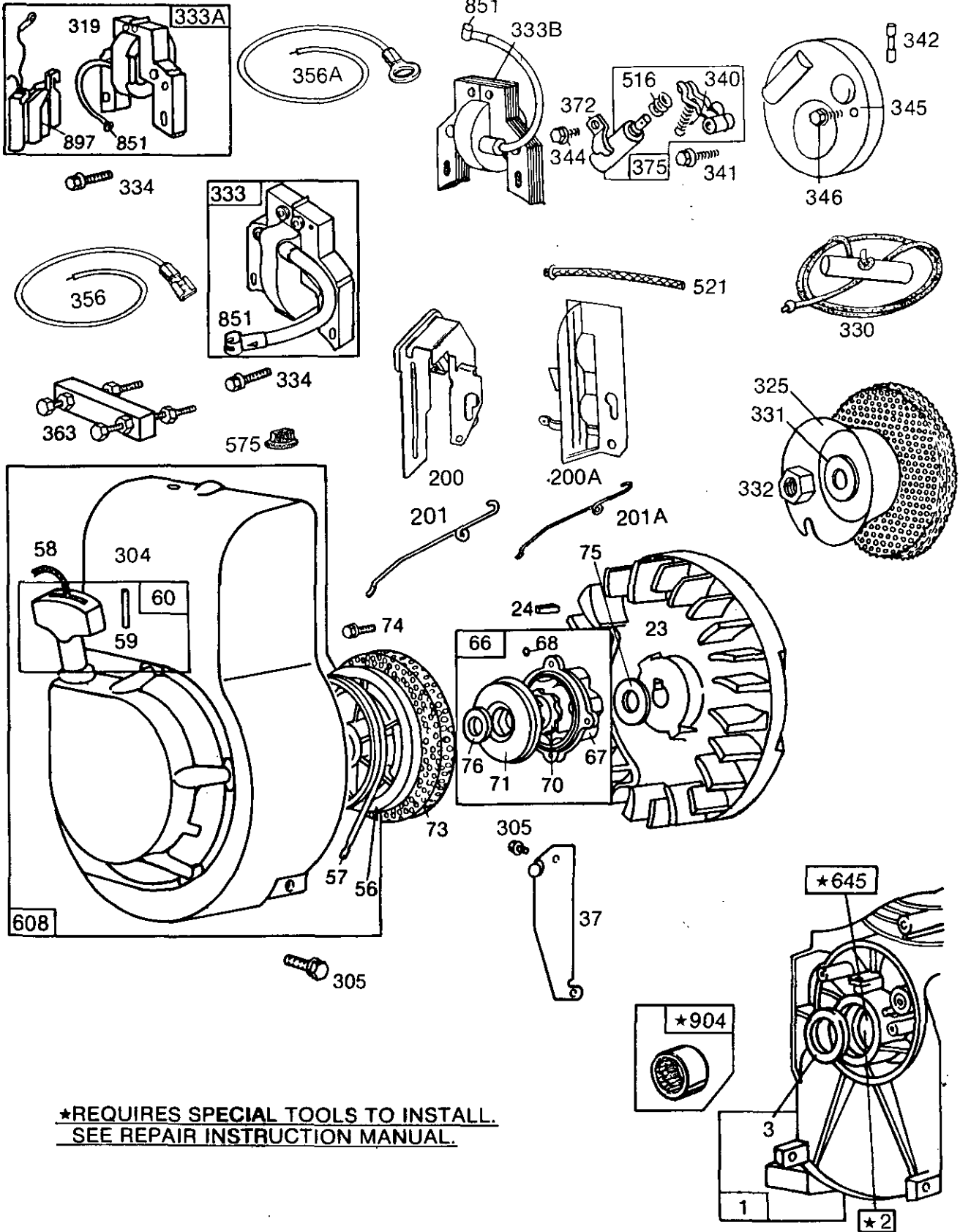
81200 to 81299



358 GASKET SET

*SPECIAL TOOLS REQUIRED TO INSTALL.
SEE REPAIR INSTRUCTION MANUAL.

Assemblies include all parts shown in frames.



***REQUIRES SPECIAL TOOLS TO INSTALL.
SEE REPAIR INSTRUCTION MANUAL.**

81200 to 81299

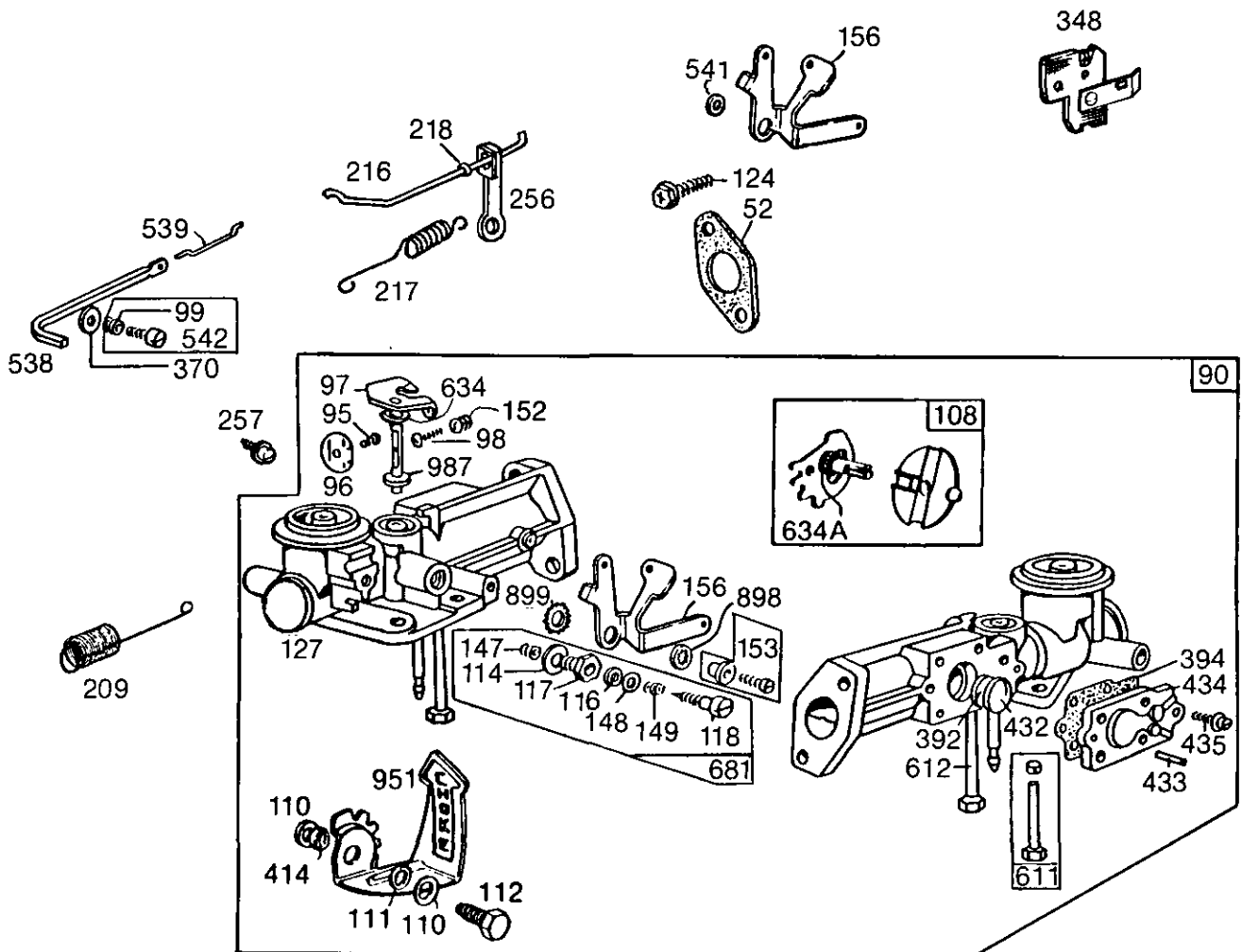
To replace carburetor assembly, determine fuel tank capacity as shown

CARBURETOR MOUNTING SURFACE

LARGE FUEL PIPE

FUEL TANK CAPACITY (QUARTS)	2	3
D (INCHES)	4-1/4	4-7/8

D = Fuel Pipe Length (Approx.)

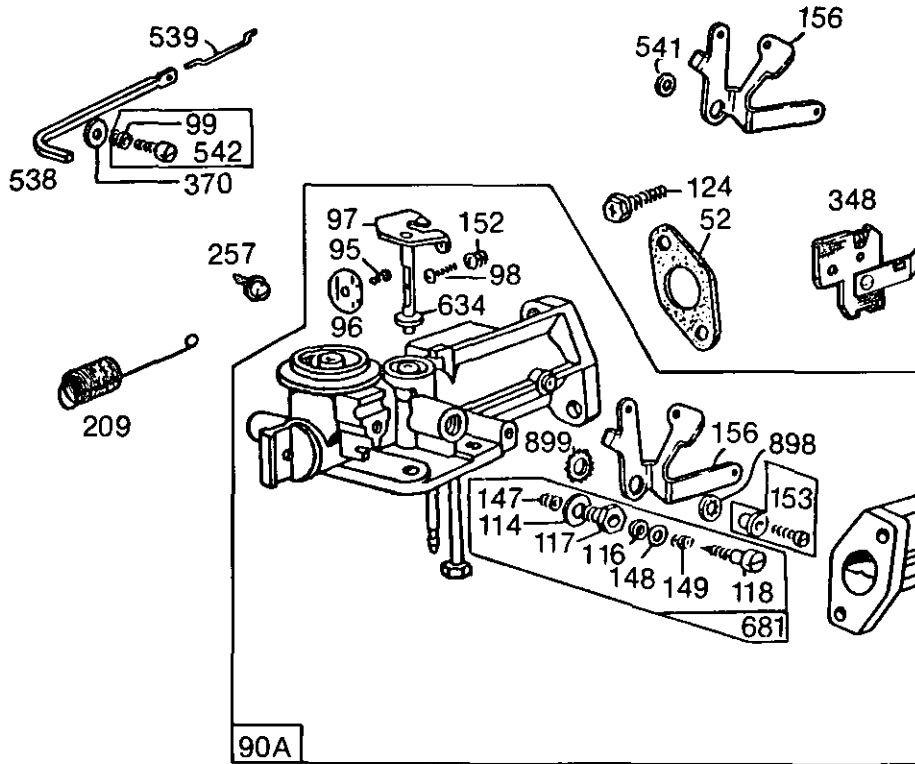


7270-3

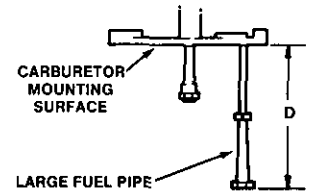
Assemblies include all parts shown in frames.

85

CARBURETOR WITH MULTI-PURPOSE SPEED ADJUSTER LEVER



To replace carburetor assembly, determine fuel tank capacity as shown

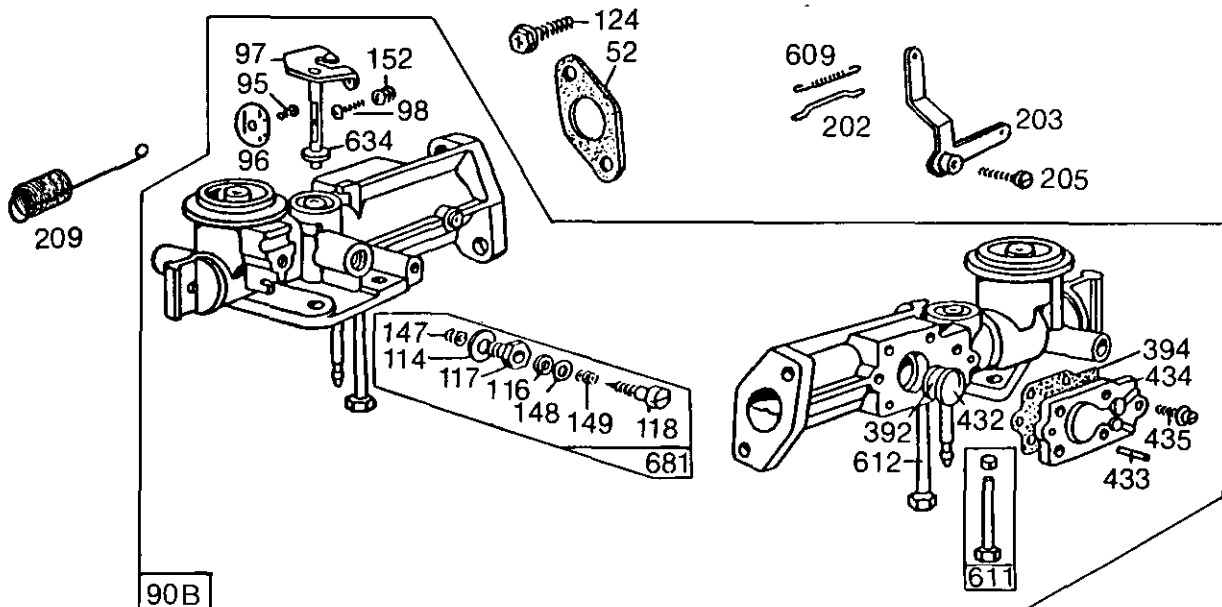


FUEL TANK CAPACITY (QUARTS)	1	2	3
D (INCHES)	2-5/16	4-1/4	4-7/8

D = Fuel Pipe Length (Approx.)

90A

CARBURETOR WITH INDIVIDUAL LEVER

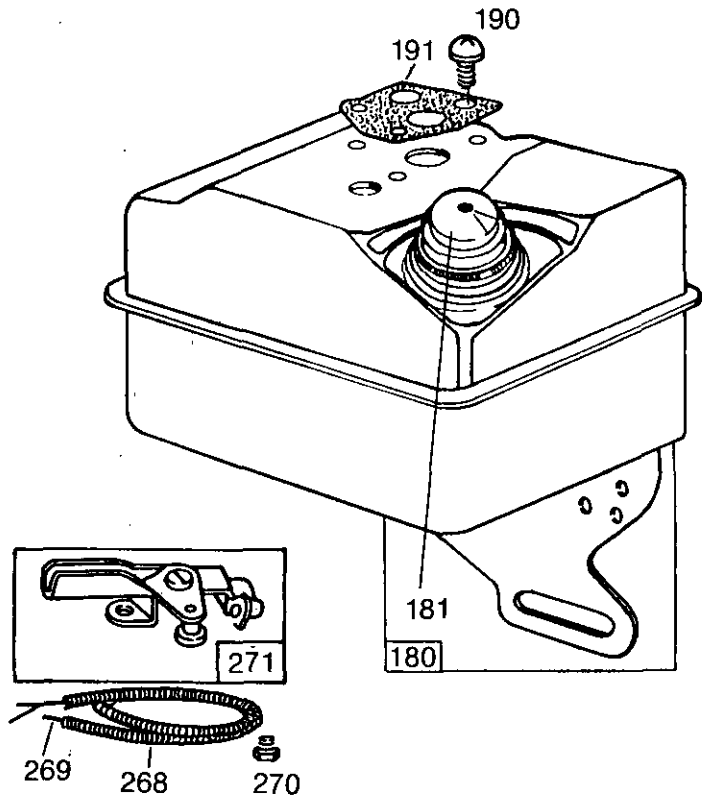
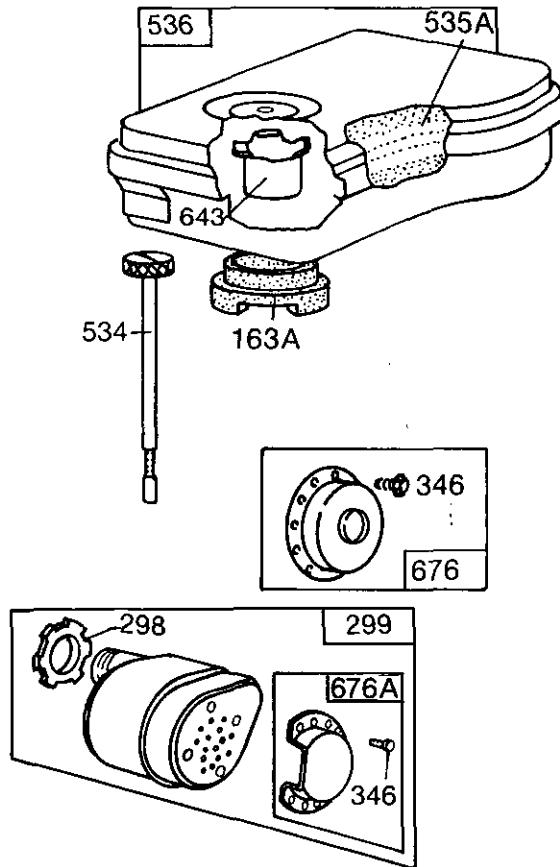
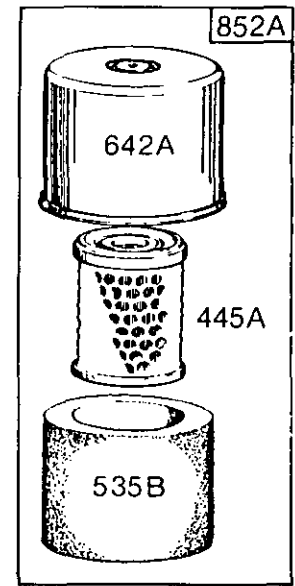
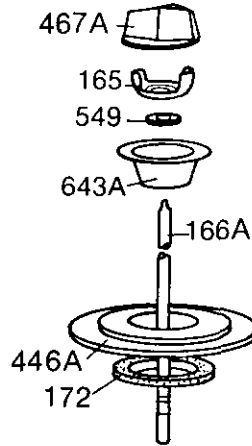
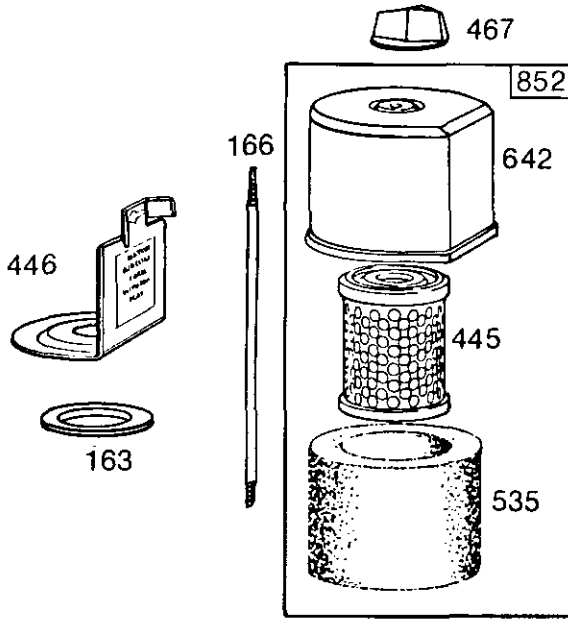


90B

7270-4

Assemblies include all parts shown in frames.

81200 to 81299



7270-5

Assemblies include all parts shown in frames.

81200 to 81299

REF. NO.	PART NO.	DESCRIPTION	REF. NO.	PART NO.	DESCRIPTION	REF. NO.	PART NO.	DESCRIPTION		
1	395262	Cylinder Assembly Note: 394199 Cylinder Assy. Used before Code No. 81080100.		260113	Crankshaft Used on Type Nos. 0242, 9044, 9204, 9206, 9227, 9236.			Note: 294499 Bushing Assy.—Crankcase Cover (Includes 220538 Bushing) Used on Model 81251, 81252 Series.		
2	231271	Bushing—Cylinder Note: Requires special tools for installation. For Cylinders with Needle Bearing, Order Ref. 904.		260182	Crankshaft Used on Type Nos. 0203, 0220, 0223, 0225, 0228, 0237, 0239, 0240, 0245, 0248, 0249, 0251, 0410, 2036, 2136.	20	299819	Seal—Oil Note: 392838 Oil Seal and Spacer Used on Model 81251, 81252 Series.		
3	299819	Seal—Oil		260187	Crankshaft Used on Type Nos. 0224, 0254, 2040, 9230.			393812 Seal—Oil Used on Model 81231, 81232 Series.		
5	210812	Head—Cylinder		260276	Crankshaft Used on Type Nos. 0103, 0104, 0210, 0211, 0213, 0214, 0217, 0219, 0221, 0223, 0234, 0235, 0402, 0403, 0411, 2049, 2149.	21	66768	Plug—Oil Filler		
6	22963	Washer		260489	Crankshaft Used on Type Nos. 0209, 0222.	22	93032	Screw—Crankcase Cover Mounting Sem Note: 92747 Screw—Crankcase Mounting Sem Used in two top holes to mount cover on Model 81251 and 81252.		
7	*27670	Gasket—Cylinder Head								
8	294178	Breather—Valve Chamber				23	296884	Flywheel—Magneto Note: 297949 Flywheel—Magneto Used on Type No. 9226.		
9	*27549	Gasket—Valve Cover	17	99158	Bearing—Ball			395653 Flywheel—Magneto Used on Type No. 0225.		
10	93394	Screw—Breather Mounting Sem	18	395259	Cover Assembly—Crankcase Used after Code No. 81120800.			24	222698	Key—Flywheel (For MAGNETRON® Ignition) Note: 61760 Key—Flywheel (For Breaker Ignition System)
11	66578	Grommet—Breather Tube			392975 Cover Assy.—Crankcase Used before Code No. 81120900.			25	295455	Piston Assembly—Std.
12	*270833	Gasket—Crankcase—.015" thick (Standard)			394909 Cover Assy.—Crankcase Used after Code No. 81120800.			295456	Piston Assembly—.010" O.S.	
	*270895	Gasket—Crankcase—.005" thick			294307 Cover Assy.—Crankcase Used before Code No. 81120800.			295457	Piston Assembly—.020" O.S.	
	*270896	Gasket—Crankcase—.009" thick			Used on Model 81231, 81232 Series. Note: 394909 Cover Assy.—Crankcase Used after Code No. 81120800.			295458	Piston Assembly—.030" O.S.	
13	93111	Screw—Cylinder Head (1-15/16" long) Note: 93583 Stud—Cylinder Head 22963 Washer Used on Type Nos. 0225, 0410, 9205, 9226, 9231, 9232.			Used on Model 81251, 81252 Series.			MODEL 81200 SERIES RING SETS: Note: For Chrome Piston Ring Set—Standard Size—Order Part No. 297201.		
14	93113	Screw—Cylinder Head (2-5/16" long) Note: 93583 Stud—Cylinder Head 22963 Washer Used on Type Nos. 0225, 0410, 9205, 9226, 9231, 9232.						26	295657	Ring Set—Std. Piston
15	91249	Plug—Pipe, 1/4" Std., Square Head						295658	Ring Set—.010" O.S. Piston	
16	260932	Crankshaft Note: To Replace Gear Pin, Order Part No. 230978 for Loose Gear Applications. 260110 Crankshaft Used on Type Nos. 0105, 0215, 0218, 0238, 0246, 0250, 0252, 0404.								
			19	293708	Bushing Assy.—Crankcase Cover (Includes 220538 Bushing) Note: Bushings require special tools for installation.					

*Included in Gasket Set—
See Ref. 358.

81200 to 81299

REF. NO.	PART NO.	DESCRIPTION	REF. NO.	PART NO.	DESCRIPTION	REF. NO.	PART NO.	DESCRIPTION	
	295659	Ring Set—.020" O.S. Piston	40	292259	Rotocap—Exhaust Valve	84	92617	Screw—Gear Case Mounting Sem	
	295660	Ring Set—.030" O.S. Piston		230126	Pin—Rotocap Exhaust Valve Retainer	85	92747	Screw—Gear Case Mounting Sem	
27	26026	Lock—Piston Pin		230127	Retainer—Exhaust Valve Rotocap	86	291730	Cover Assembly—Gear Case	
28	298909	Pin Assembly—Piston—Standard		Note: 93312	Retainer—Valve Spring	87	19011	Seal—Oil	
	298908	Pin Assembly—Piston—.005" O.S.			Used with Valves with Groove in Stem.	88	27313	Gasket—Gear Case Cover	
29	294367	Rod Assembly—Connecting			Used on Type Nos. 0209, 0214, 0233, 0240, 0241, 0242, 0243, 0244, 0245, 0246, 0247, 0249, 0250, 0251, 0252, 0253, 0254.	89	93448	Plug—Oil Drain, 1/4" Pipe Thread	
	Note:	For Connecting Rod with .020" Undersize Crankpin Bore—Order No. 296079.		40A	93312	Retainer—Intake Valve Spring	90	397939	Carburetor Assembly (Rotary Choke for 2 Quart Tank)
30	220670	Dipper—Connecting Rod		45	230173	Tappet—Valve		Note:	All Carburetors Listed Under Ref. 90 use 222955 Ref. 156 Lever. 398049 Carburetor Assy. (For 3 Quart Tank) 398711 Carburetor Assy. (for 2 Quart Tank) Used on Type Nos. 0213, 0229.
31	220756	Lock—Connecting Rod Screw		46	210453	Gear—Cam	90A	393976	Carburetor Assembly (For 2 Quart Tank)
32	92296	Screw—Connecting Rod		52	*27355	Gasket—Intake Elbow Mounting (2 used)		Note:	All Carburetors Listed under Ref. 90A use 222955 Ref. 156 Lever. 393977 Carburetor Assy. (For 3 Quart Tank) 393975 Carburetor Assy. (For 1 Quart Tank) Used on Type No. 0254.
33	260443	Valve—Exhaust (with hole in stem) (STELLITE®)		56	280117	Pulley—Rewind Starter	90B	297153	Carburetor Assembly (Mechanical Governor—Manual Choke) (2 Quart)
	Note:	296676 Valve—Exhaust (Grooved Stem—Includes Retainer No. 93312) Used on Type Nos. 0209, 0214, 0233, 0240, 0241, 0242, 0243, 0244, 0245, 0246, 0247, 0249, 0250, 0251, 0252, 0253, 0254.		57	294303	Spring—Rewind Starter		Note:	296799 Carburetor Assy. (Choke-A-Matic (2 Quart) Used on Type Nos. 0213, 0229. 296800 Carburetor Assy. (Choke-A-Matic) (1 Quart) Used on Type No. 0224. 297140 Carburetor Assy. (Mechanical Governor—Manual Choke) (3 Quart) Used on Type Nos. 9206, 9232, 9236.
34	296677	Valve—Intake (Grooved) Stem—Includes Retainer No. 93312)		58	66694	Rope—Starter—47-1/8"			
35	260552	Spring—Intake Valve		59	230228	Pin—Starter Grip			
36	26826	Spring—Exhaust Valve		60	393152	Grip—Starter Rope			
	Note:	260552 Spring—Exhaust Valve Used on Type Nos. 0209, 0214, 0233, 0240, 0241, 0242, 0243, 0244, 0245, 0246, 0247, 0249, 0250, 0251, 0252, 0253, 0254.		66	298310	Clutch Assembly—Rewind and Wind-up Starter			
37	220971	Guard—Flywheel		67	212131	Housing—Starter Clutch			
				68	63770	Ball—Clutch			
				70	298436	Ratchet—Rewind and Wind-up Starter			
				71	221653	Washer—Clutch Retainer			
				73	221661	Screen—Rotating			
				74	93490	Screw—Rotating Screen Mounting Sem			
				75	220865	Washer—Spring			
				76	68238	Washer—Ratchet Sealing			
				79	290779	Case Assy.—Gear			
				80	27667	Gasket—Gear Case			
				81	220234	Lock—Gear Case Mounting Screw			
				82	91541	Screw—Cap, Hex. Hd.—5/16-24 x 7/8"			
				82A	92279	Screw—Cap, Hex. Hd.—5/16-24 x 1-1/2"			
				83	211293	Shaft Assembly—Drive			

*Included in Gasket Set—
See Ref. 358.

81200 to 81299

REF. NO.	PART NO.	DESCRIPTION	REF. NO.	PART NO.	DESCRIPTION	REF. NO.	PART NO.	DESCRIPTION
95	93499	Screw—Throttle Valve Mounting Sem		Note: 397622	Tank Assy.—Fuel (3 Quart) (Used after Code Date 84022200)	201	262041	Link—Governor Used with Ref. 200 Governor Blade.
96	211203	Valve—Throttle		296592	Tank Assy.—Fuel (3 Quart) Used before Code Date 84022300 on Type Nos. 0203, 0210, 0211, 0214, 0218, 0221, 0225, 0228, 0233, 0235, 0243, 0244, 0245, 0246, 0247, 0249, 0250, 0251, 0252, 0253, 0410, 0411, 9206, 9232, 9236.	201A	261663	Link—Governor All Links Listed under Ref. 201A are Used with Ref. 200A Governor Blade
97	297961	Shaft and Lever—Throttle		299817	Tank Assy.—Fuel (1 Quart—with Bracket) Uses: 93686 Screw—Bracket to Cylinder Mtg. 66432 Washer—Bracket to Cylinder Mtg. Used on Type Nos. 0224, 0254.			Note: 260898 Link—Governor Used on Type Nos. 0213, 0224, 0229.
98	93524	Screw—Machine, Rd. Hd.—5-40 x 1/2"				204	23688	Bushing—Gov. Lever
99	393586	Spring & Screw Assembly (Includes Fil. Hd. Screw)				205	230671	Screw—Bell Crank
101	93043	Pin—Governor Shaft				206	230149	Nut—Control Rod
108	397134	Valve Group—Choke				207	26855	Spring—Control Rod
110	221226	Washer—Choke Lever				208	230680	Rod—Control Note: Use: 93384 Jam Nut 230944 Control Rod Guide with 230680 Control Rod on Type Nos. 9205, 9226.
111	94060	Washer—Wave				209	260041	Spring—Air Vane Gov. Note: 260662 Spring—Air Vane Governor Used on Type No. 0224. 260687 Spring—Gov. Used on Type No. 0229.
112	93686	Screw—Choke Lever				209A	260546	Spring—Mechanical Governor
114	66594	Gasket—Needle Valve Nut				216	262020	Link—Choke
116	65978	Packing—Needle Valve				217	261951	Spring—Choke
117	230590	Nut—Needle Valve				218	221198	Washer
118	23433	Valve—Needle				219	296688	Governor Housing and Gear Assembly
124	93357	Screw—Hex. Hd.				220	221361	Washer—Thrust
127	22831	Plug—Welch				221	230177	Cup—Governor
147	230591	Seat—Needle Valve				222	220691	Bracket—Mechanical Governor
148	22235	Washer—Needle Valve (2)				223	221389	Lever—Gov. Control Note: 221379 Lever—Gov. Control Used on Type No. 9230.
149	26336	Spring—Needle Valve				224	93067	Screw—Governor Lever Mounting Sem
152	260746	Spring—Throttle Adjustment				225	230181	Shaft—Governor Lever
153	298031	Screw—Carburetor Cam and Lever	181	391494	Cap—Fuel Tank (Chrome)	226	220381	Follower—Gov. Crank
156	222955	Lever—Speed Adjuster				227	296087	Lever Assy.—Governor
163	271139	Gasket—Air Cleaner Mounting				228	93100	Screw—Gov. Lever
163A	27660	Gasket—Air Cleaner Mounting	189	90366	Washer—Lock—5/16 x 1/8 x 1/16"			
165	93856	Wing Nut	190	93440	Screw—Fuel Tank Mounting Sem			
166	231332	Stud—Air Cleaner (Used with Rotary Choke Carburetors)	191	*271592	Gasket—Fuel Tank Mounting (Used with Rotary Choke Carburetors)			
		Note: 231315 Stud—Air Cleaner (Used with Pull Choke Carburetors)						
166A	231176	Stud—Air Cleaner						
172	271077	Spacer—Air Cleaner						
180	397789	Tank Assembly—Fuel (2 Quart) (Used with Rotary Choke Carburetors)	200	397556	Blade—Governor			
		296591 Tank Assy.—Fuel (2 Quart) (Used with Pull Choke Carburetor)	200A	297310	Blade—Governor Note: 221456 Guide—Air Used on Type Nos. 9044, 9204, 9205, 9206, 9226, 9227.			

*Included in Gasket Set—
See Ref. 358.

81200 to 81299

REF. NO.	PART NO.	DESCRIPTION	REF. NO.	PART NO.	DESCRIPTION	REF. NO.	PART NO.	DESCRIPTION
229	220680	Washer—Thrust	331	220865	Washer—Spring (5/8" hole)	356A	391115	Wire—Ground (Used with Armatures Ref. 333A and 333B Only)
230	22826	Washer—Spacer	332	92284	Nut—Flywheel (5/8-18 right hand thread)			Note: 299500 Wire—Ground Used on Type Nos. 0208, 0209, 0212, 0222, 0233, 9227.
231	93064	Screw—Sem	333	397316	Armature Group			391805 Wire—Ground Used on Type Nos. 0238, 0239, 2035, 2036, 2040, 2049.
232	260478	Spring—Mechanical Governor Link	333A	395489	Armature—Magneto			
256	220952	Lever—Speed Adjuster	333B	298502	Armature—Magneto (For Points & Condenser)			
257	93543	Screw—Fil. Hd. 10-32 x 3/8"	334	93381	Screw—Armature Mounting Sem	357	91539	Key—3/16" Square
258	93062	Screw—Sem	337	298809	Plug—Spark (1-1/2" High— 37-42 M.M.)	358	397144	Gasket Set (Used with Rotary Choke Carburetors)
268	66986	Casing—Control Wire— 48" long			Note: 29693 Plug—Spark (2" High—51 M.M.) 293918 Plug—Spark (Resistor Type) (1-1/2" High— 37 M.M.)			Note: 297275 Gasket Set (Used with Pull Choke Carburetors)
		Note: If longer casing is needed, specify length in inches; if a shorter casing is needed, order No. 66986 and cut to required length.	340	26018	Spring—Breaker Arm	362	89742	Shield—Spark Plug
269	26099	Wire—Control—54" long	341	93381	Screw—Sem	363	19069	Puller—Flywheel (Optional Accessory)
		Note: If longer wire is needed, specify length in inches; if shorter wire is needed, order No. 26099 and cut to required length.	342	65704	Plunger—Breaker Point	370	66432	Washer—Plain
			344	93042	Screw—Condenser Clamp Mounting Sem	372	220477	Clamp—Condensor
270	63426	Locknut—Control Wire Casing	345	220366	Cover—Breaker Point and Condenser	375	294628	Breaker Points and Condensor Set
271	290568	Lever Assy.—Control	346	93705	Screw—Sem			Note: 299061 Ignition Kit Includes: 294628 Point Set 65704 Plunger 61760 Key—Flywheel (For Conversion to Electronic Ignition Order No. 394970 Electronic Module Kit)
280	221384	Bracket	347	220884	Switch—Stop (For 1-1/2" High— 37 & 42 M.M. Spark Plug)	383	89838	Wrench—Spark Plug
298	220859	Locknut—Muffler	347A	298926	Switch—Stop (For 1-1/2" High— 37-42 M.M. Spark Plug)	392	260455	Spring—Fuel Pump Diaphragm
299	392811	Muffler—Exhaust (Lo-Tone)	348	296110	Plate Assembly—Stop Switch Insulator	394	270026	Diaphragm
304		Housing—Blower	353	92791	Washer—Lock— Shakeproof	414	231325	Spacer—Choke Lever
		Note: For Type Numbers not listed below, see Ref. No. 608.	354	90576	Nut—Hex.—8-32	432	221377	Cap—Spring
		294263 Housing Blower (For Rope and Rewind Starters) Used on Model 81231 and 81251.	355	398874	Wire—Ground	433	93265	Pin—Diaphragm Cover
305	93158	Screw—Sem			Note: 398874 Wire—Ground (2 Required) Used on Type Nos. 2136, 2149.	434	210959	Cover—Diaphragm
306	220478	Shield—Cylinder				435	93141	Screw—Diaphragm Cover
307	93490	Screw—Cylinder Shield Mounting Sem				445	396424	Cartridge—Air Cleaner
308	220581	Cover—Cylinder Head				445A	392308	Cartridge—Air Cleaner
319	395488	Armature Assembly (Less Trigger Coil)				446	395642	Base—Air Cleaner
325	298731	Pulley—Starter (5/8" hole in Pulley)				446A	222844	Base—Air Cleaner
330	395022	Rope—Starter				467	212706	Knob—Air Cleaner
						467A	212293	Knob—Air Cleaner

81200 to 81299

REF. NO.	PART NO.	DESCRIPTION	REF. NO.	PART NO.	DESCRIPTION	REF. NO.	PART NO.	DESCRIPTION
506	90200	Screw—Machine, Fil. Hd.—8-32 x 1/2"	535	271466	Element—Air Cleaner	634	271853	Washer—Throttle Shaft (Foam)
507	66895	Insulator	535A	27987	Element—Air Cleaner		Note:	270167 Washer—Throttle Shaft (Felt)
516	260374	Spring—Connector	535B	270979	Element—Air Cleaner	634A	270382	Washer—Choke Shaft
521	297973	Shielding—Ignition Cable	536	296766	Cleaner Assy.—Air	635	66538	Elbow—Spark Plug
523	69345	Cap—Oil Filler	538	260683	Rod—Speed Control (Square Rod)		Note:	392273 Elbow—R.F. Shielding Used on Type No. 0212.
	Note:	297357 Cap—Oil Filler Used on Type Nos. 0238, 0239, 2035, 2036, 2040, 2049, 2136, 2149, 9044.	539	260684	Link—Rod (Used only with Square Rod)	642	223306	Cover—Air Cleaner
524	65304	Gasket—Oil Filler Cap	541	22398	Washer—Governor Lever	642A	222626	Cover—Air Cleaner
525	91258	Nipple—Oil Filler (2-1/2" Lg.)	542	393586	Screw & Spring Assy. (Includes Spring)	643	221321	Cup—Air Cleaner
	Note:	Use 394884 Adaptor—Oil Filler with Nipple	549	271118	Washer—Air	643A	222845	Cup—Air Cleaner
526	93343	Screw—Tank Bracket Mounting Sem	552	231079	Bushing—Governor Shaft (Not Used with 394199 Cylinder Assembly)	645	23513	Bushing—Plunger
	Note:	93062 Screw—Tank Bracket Mounting Sem Used on Type No. 0224.	575	396691	Switch—Rotary	676	397931	Deflector—Muffler
527	221514	Clamp—Breather Tube (Used with Rotary Choke Carburetors)	608	398034	Starter Assy.—Rewind (10 o'clock)	676A	393760	Deflector—Muffler
	Note:	221279 Clamp—Breather Tube (Used with Pull Choke Carburetors)		Note:	398035 Starter Assy.—Rewind (12 o'clock) Used on Type Nos. 0203, 0211, 0212, 0216, 0220, 0221, 0224, 0225, 0235, 0237, 0410, 0411, 2035, 2036, 2040, 2049, 9044, 9204, 9205, 9226, 9231, 9232, 9236.	681	299060	Needle Valve Kit
528	231383	Tube—Breather (Used with Rotary Choke Carburetors)	609	260564	Spring—Throttle Link	741	261721	Gear—Timing (For Ball Bearing)
	Note:	230634 Tube—Breather (Used with Pull Choke Carburetors)	611	391813	Fuel Pipe and Clip Assembly		Note:	261533 Gear—Timing (For Plain Bearing)
529	67638	Grommet—Breather Tube (Used with Rotary Choke Carburetors)	612	296811	Pipe—Fuel (1-5/8" long) Plastic	851	221798	Terminal—Ignition Cable
	Note:	67608 Grommet—Breather Tube (Used with Pull Choke Carburetors)	621	297472	Switch—Stop	852	396397	Cleaner Assy.—Air
534	93322	Screw—Air Cleaner	632	260575	Spring—Governor Control Lever	852A	392368	Cleaner Assy.—Air
			633	93364	Screw—Machine, Rd. Hd.—6-32 x 7/8"	854	392884	Bracket Assy.—Stop Switch
						869	210879	Seat—Intake Valve (Standard)
						870	211291	Seat—Exhaust Valve (Standard)
							Note:	For Options see Repair Manual.
						871	262001	Guide—Exhaust Valve
							Note:	63709 Guide—Intake Valve
						897	394970	Trigger Coil—MAGNETRON® Ignition
						898	92507	Lockwasher—Internal Tooth
						899	93397	Lockwasher—External Tooth
						904	394236	Bearing—Needle
						951	223286	Lever—Choke
						987	398970	Seal—Throttle Shaft (Used after Code Date 85081100.)