

81300 to 81499

Illustrated Parts List

Model Series 81300 to 81499

TYPE NUMBERS
0526 through 0573
0620 through 0728
0900, 0901
0910 through 0913
2535, 2536, 2537,
2547, 2548, 2549

TO FIND

THE CORRECT NUMBER OF THE PART YOU NEED:

FOLLOW THE INSTRUCTIONS BELOW

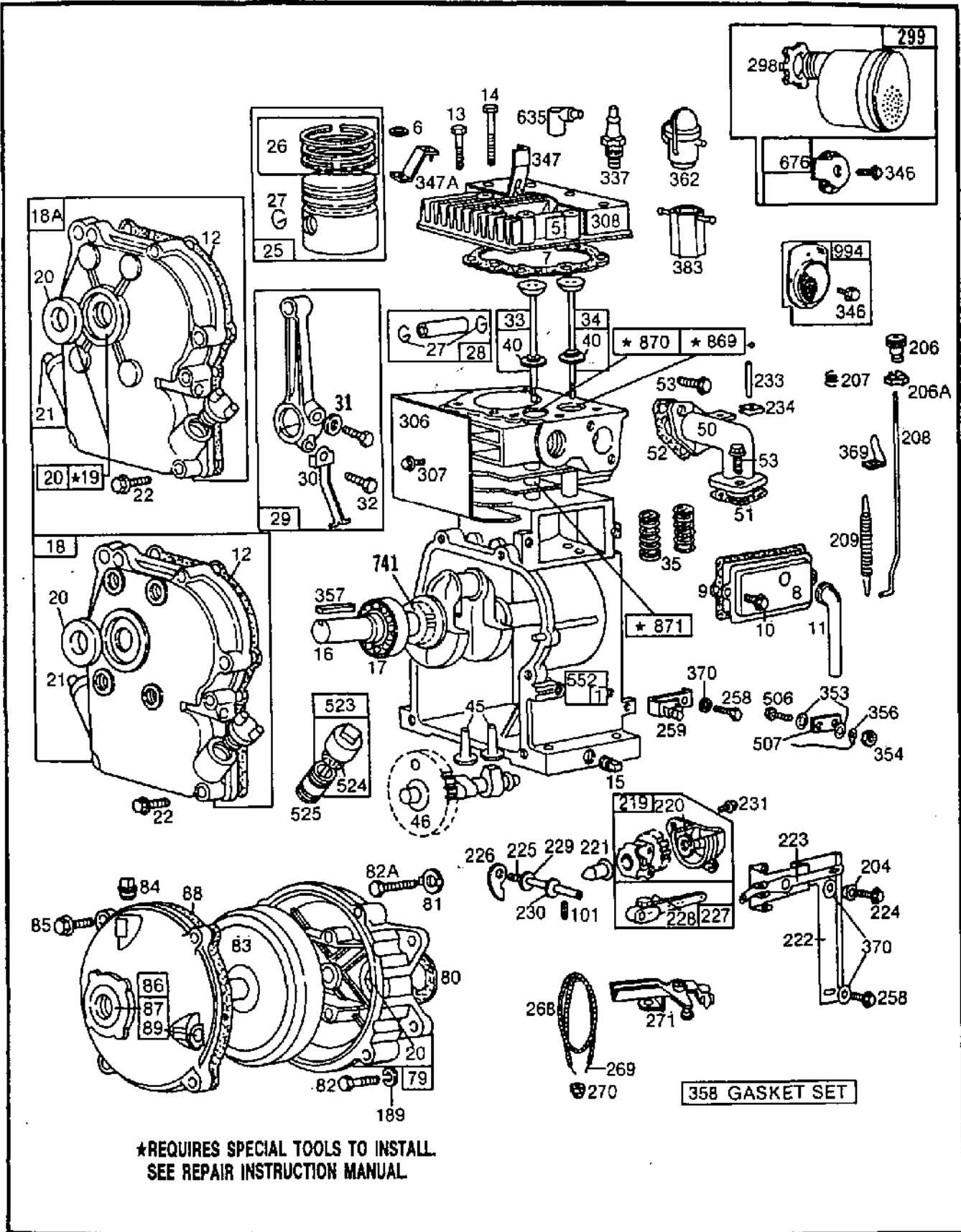
- A. Refer to Engine Model, Type and Code Number that is stamped on the blower housing of engine. Engine type numbers such as 012301 are listed herein only as 0123. The two digits (01 or 02, etc.) to the right of the space are not needed for parts identification. Then use the Illustrated Parts List covering the Model Series.
- B. Refer to Illustrated Parts section and compare the old part with illustration. The number on the illustration is the Reference Number. Assemblies include all parts shown in frames. All parts shown in assembly frames on which individual reference numbers are given can be purchased separately.
- C. After the Reference Number has been identified, refer to the Numerical Parts List, where Reference and Master Part Number are listed. **THE MASTER PART IS USED ON ALL TYPE NUMBERS EXCEPT THOSE TYPE NUMBERS UNDER "NOTE"**.
- D. If a "Note" appears below the Master Part Number, this means that this part differs from the Master Part for certain types. If the Type number is listed under "Note", order the part referred to.
- E. If the Engine Type Number does not appear after any part number listed under "Note", use the Master Part Number.
- F. For Type Numbers higher than those covered by this book, please refer to the factory if you are unable to identify the part by comparison.

PRINTED IN U.S.A.



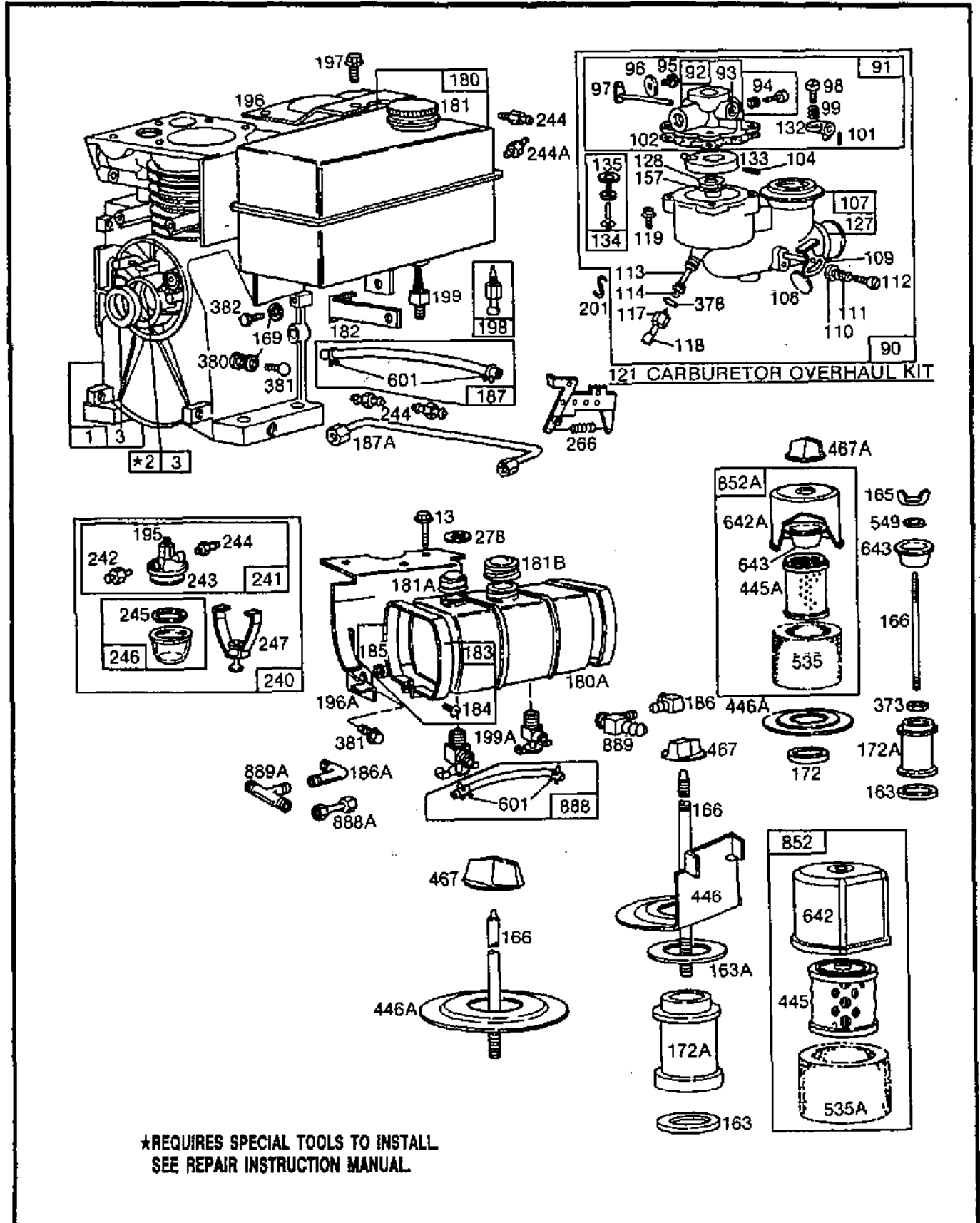
COPYRIGHT ©

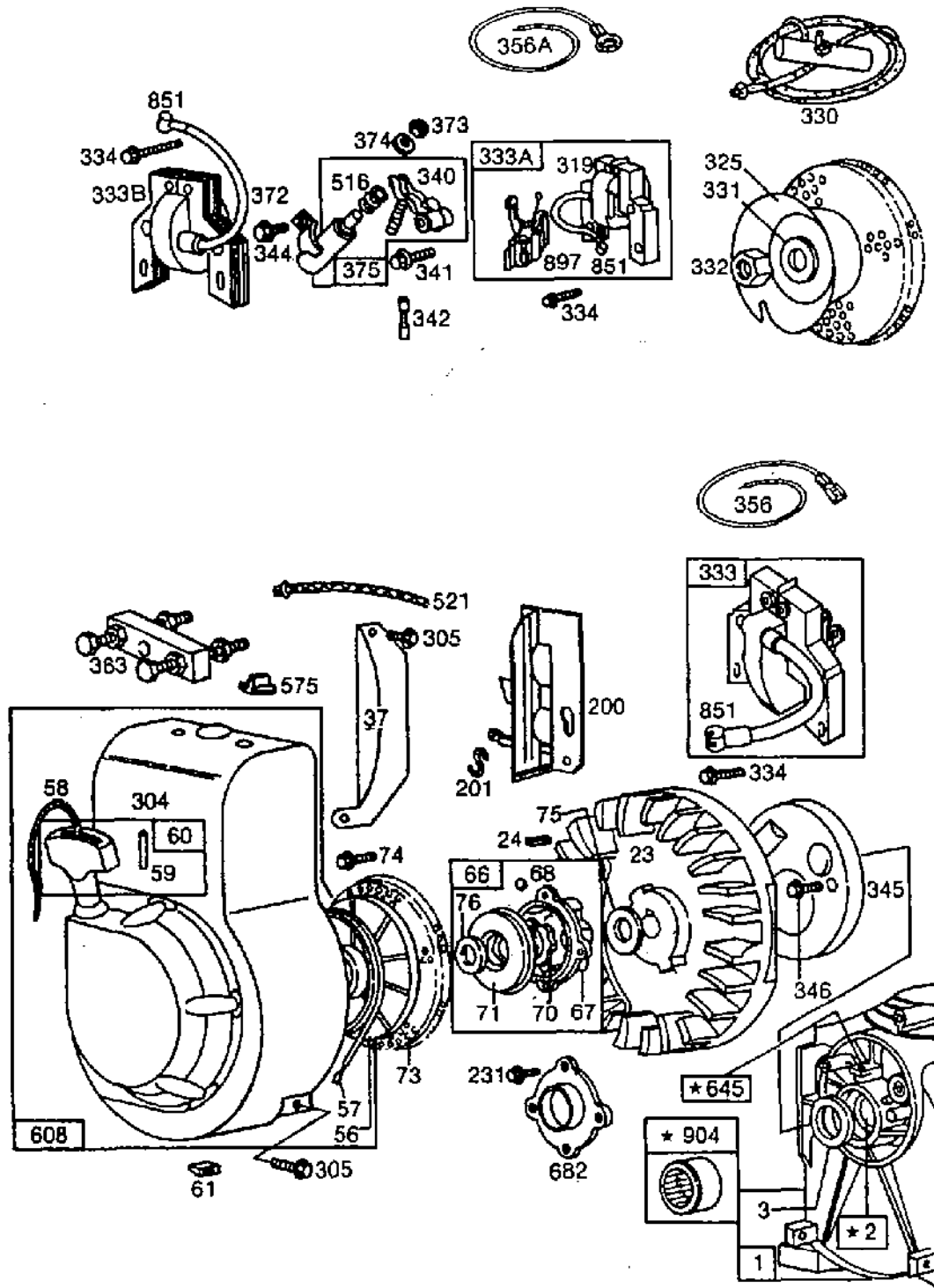
81300 to 81499



★REQUIRES SPECIAL TOOLS TO INSTALL.
SEE REPAIR INSTRUCTION MANUAL.

358 GASKET SET





★REQUIRES SPECIAL TOOLS TO INSTALL
SEE REPAIR INSTRUCTION MANUAL

81300 to 81499

| REF. NO. | PART NO. | DESCRIPTION | REF. NO. | PART NO. | DESCRIPTION | REF. NO. | PART NO. | DESCRIPTION | |
|----------|----------|--|----------|--|--|---|---|--|--|
| 1 | 395262 | Cylinder Assembly Note: 394199 Cylinder Assy. Used before Code No. 81080100. | 16 | 260932 | Crankshaft To Replace Crankshaft Gear Pin, Order Part No. 230978 for Loose Gear Applications. | 18 | 294306 | Cover Assy.—Crankcase Used on <i>Model Series 81331, 81332, 81431, 81432</i> except as listed under Note. | |
| 2 | 231271 | Bushing—Cylinder Note: Requires special tools for installation. For Cylinders with Needle Bearing Order Ref. 904. | | Note: 260110 Crankshaft Used on Type Nos. 0530, 0531, 0620, 0621, 0640, 0641, 0652, 0653, 0673, 0676, 0688, 0695, 0700, 0702, 0724. | | Note: 395259 Cover Assy.—Crankcase Used after Code No. 81120800. | | 298511 Cover Assy.—Crankcase Used before Code No. 81120900. | |
| 3 | 299819 | Seal—Oil | | 260113 Crankshaft Used on Type No. 0697. | | Used on Type Nos. 0526, 0527, 0528, 0529, 0530, 0531, 0532, 0537, 0538, 0573, 2535, 2536, 2537. | | | |
| 5 | 210812 | Head—Cylinder | | 260182 Crankshaft Used on Type Nos. 0526, 0527, 0672, 0686, 0689, 0698, 0709, 0712, 0718, 0719, 0721, 0722, 0723, 0728, 0910. | 18A | 394909 | Cover Assy.—Crankcase Used after Code No. 81120800. | | |
| 6 | 22963 | Washer—Plain | | 260187 Crankshaft Used on Type Nos. 0708, 0710, 2535. | | 294307 Cover Assy.—Crankcase Used before Code No. 81120900. | | | |
| 7 | *27670 | Gasket—Cylinder Head Note: Two 27670 Cylinder Head Gaskets are Used on Type Nos. 0526, 0529, 0531, 0651, 0653, 0659, 0668, 0670, 0672, 0673, 0686, 0689, 0698, 0700, 0701, 0702, 0707, 0709, 0712, 0718, 0721. | | 260276 Crankshaft Used on Type Nos. 0548, 0549, 0625, 0626, 0644, 0645, 0655, 0658, 0661, 0685, 0687, 0680, 0694, 0715, 0716, 0717, 0901, 0911, 2547, 2548, 2549. | | Used on <i>Model Series 81351, 81352, 81451, 81452.</i> | | | |
| 8 | 294178 | Breather—Valve Chamber | | 260489 Crankshaft Used on Type Nos. 0538, 0660, 0674, 0679, 0681, 0687, 0690, 0691, 0692, 0720. | 19 | 294499 | Bushing—Crankcase Cover (Includes 220538 Bushing) Special tools required for installation. Used on <i>Model 81351, 81352, 81451, 81452</i> Series. | | |
| 9 | *27549 | Gasket—Valve Cover | | 280491 Crankshaft Used on Type Nos. 0532, 0663, 0699, 0705, 0714. | 20 | 93740 | Seal—Oil | | |
| 10 | 93394 | Screw—Breather Mounting Sem | | 260932 Crankshaft Used on Type Nos. 0706, 0707, 2537. | 21 | 66768 | Plug—Oil Filler | | |
| 11 | 66538 | Tube—Breather | | 397257 Crankshaft Used on Type No. 0913. | 22 | 93032 | Screw—Crankcase Cover Mtg. Sem Note: 92747 Screw—Crankcase Cover Mounting Sem Used on two top holes to mount cover on 81351, 81352, 81451, 81452 Series. | | |
| 12 | *270833 | Gasket—Crankcase—.015" thick (Standard) | | | | | | | |
| | *270895 | Gasket—Crankcase—.005" thick | | | | | | | |
| | *270896 | Gasket—Crankcase—.009" thick | | | | | | | |
| 13 | 91386 | Screw—Cylinder Head (2" long) Note: 93583 Stud—Cylinder Head Used on Type No. 0713. | 17 | 99158 | Bearing—Ball | | | | |
| 14 | 93113 | Screw—Cylinder Head (2-5/16" long) Note: 93583 Stud—Cylinder Head Used on Type No. 0713. | | | | | | | |
| 15 | 91249 | Plug—Pipe, 1/4" Std., Square Head | | | | | | | |

*Included in Gasket Set—Part No. 297275.

†Included in Carburetor Overhaul Kit—Part No. 291691.

81300 to 81499

| REF. NO. | PART NO. | DESCRIPTION | REF. NO. | PART NO. | DESCRIPTION | REF. NO. | PART NO. | DESCRIPTION |
|---|----------|---|----------|----------|---|----------|----------|---|
| 24 | 222698 | Key—Flywheel (For MAGNETRON® Ignition) Note: 81760 Key—Flywheel (For Breaker Ignition System) | | 260443 | Valve—Exhaust (Cobalite®) (with Hole in Stem) For Pins and Retainers for this Valve, see note under Reference No. 40. | | | 0911, 0912, 0913, 2535, 2536, 2537, 2547, 2548, 2549. |
| 25 | 295455 | Piston Assembly—Std. | | | Used on Model 81300, 81400 Series Type Nos. 0526, 0527, 0528, 0529, 0530, 0531, 0532, 0537, 0538, 0548, 0549, 0573, 0624, 0626, 0675, 0676, 0685, 0690, 0691, 0692, 0693, 0694, 0696, 0697, 0698, 0699, 0702, 0703, 0704, 0705, 0708, 0709, 0710, 0711, 0713, 0714, 0715, 0716, 0717, 0718, 0719, 0720, 0721, 0722, 0727, 0728, 0900, 0901, 0910, 0911, 0912, 0913, 2535, 2536, 2537, 2547, 2548, 2549. | 37 | 220971 | Guard—Flywheel |
| | 295456 | Piston Assembly—.010" O.S. | | | | 40 | 93312 | Retainer—Valve Spring Used with Valves with groove in stem. Note: 23184 Retainer—Valve Spring |
| | 295457 | Piston Assembly—.020" O.S. | | | | | | 23187 Pin—Valve Spring Retainer Used on Type Nos. 0727, 0728. |
| | 295458 | Piston Assembly—.030" O.S. | | | | | | 292259 Rotocap—Exhaust Valve 230126 Pin—Exhaust Valve Rotocap Retainer 230127 Retainer—Exhaust Valve Rotocap Used on Type Nos. 0526, 0527, 0528, 0529, 0530, 0531, 0532, 0537, 0538, 0548, 0549, 0573, 0624, 0626, 0667, 0674, 0675, 0676, 0680, 0681, 0685, 0690, 0691, 0692, 0693, 0694, 0696, 0697, 0698, 0699, 0702, 0703, 0704, 0705, 0708, 0709, 0710, 0711, 0713, 0714, 0715, 0716, 0717, 0718, 0719, 0720, 0721, 0722, 0900, 0901, 0910, 0911, 0912, 0913, 2535, 2536, 2537, 2547, 2548, 2549. |
| MODEL 81300, 81400 SERIES RING SETS: | | | | | | | | |
| | | Note: For Chrome Piston Ring Set—Standard size—order Part No. 297201. | | | | | | |
| 26 | 295657 | Ring Set—Std. Piston | | | | | | |
| | 295658 | Ring Set—.010" O.S. Piston | | | | | | |
| | 295659 | Ring Set—.020" O.S. Piston | | | | | | |
| | 295660 | Ring Set—.030" O.S. Piston | | | | | | |
| 27 | 26026 | Lock—Piston Pin | | | | | | |
| 28 | 298909 | Pin Assembly—Piston—Standard | 34 | 296877 | Valve—Intake (Grooved Stem—Includes Retainer No. 93312) | | | |
| | 298908 | Pin Assembly—Piston—.005" O.S. | | | | | | |
| 29 | 294367 | Rod Assembly—Conn. Note: For Connecting Rod with .020" Undersize Crankpin Bore—order No. 296079. | 35 | 260552 | Spring—Intake Valve Note: 26826 Spring—Exhaust Valve Used on Type Nos. 0526, 0527, 0528, 0529, 0530, 0531, 0532, 0537, 0538, 0548, 0549, 0573, 0624, 0626, 0667, 0674, 0675, 0676, 0680, 0681, 0685, 0690, 0691, 0692, 0693, 0694, 0696, 0697, 0698, 0699, 0702, 0703, 0704, 0705, 0708, 0709, 0710, 0711, 0713, 0714, 0715, 0716, 0717, 0718, 0719, 0720, 0721, 0722, 0900, 0901, 0910, 0911, 0912, 0913, 2535, 2536, 2537, 2547, 2548, 2549. | | | |
| 30 | 220670 | Dipper—Connecting Rod | | | | | | |
| 31 | 222282 | Washer | | | | | | |
| 32 | 92296 | Screw—Connecting Rod | | | | | | |
| 33 | 296676 | Valve—Exhaust (Grooved Stem—Includes Retainer No. 93312) Note: 260442 Valve—Exhaust (with Hole in Stem) For Pins and Retainers for this Valve, see note under Reference No. 40. Used on Type Nos. 0667, 0674, 0680, 0681. | | | | | | |
| | | | | | | 45 | 230173 | Tappet—Valve |
| | | | | | | 46 | 210453 | Gear—Cam |
| | | | | | | 50 | 210810 | Elbow—Intake |
| | | | | | | 51 | *†68987 | Gasket—Carburetor Mounting |
| | | | | | | 52 | *27355 | Gasket—Intake Elbow Mounting |
| | | | | | | 53 | 93357 | Screw—Carburetor and Intake Elbow Mtg. |
| | | | | | | 56 | 280117 | Pulley—Rewind Starter |
| | | | | | | 57 | 294303 | Spring—Rewind Starter |

*Included in Gasket Set—Part No. 297275.

†Included in Carburetor Overhaul Kit—Part No. 291691.

81300 to 81499

| REF. NO. | PART NO. | DESCRIPTION | REF. NO. | PART NO. | DESCRIPTION | REF. NO. | PART NO. | DESCRIPTION |
|----------|----------|--|----------|--|---|----------|----------|--|
| 58 | 66694 | Rope—Starter— 47-1/8" long Note: If longer rope is needed, order No. 66684 and cut to required length. | | 295560 | Carburetor Assy. (Kerosene) Used on <i>Model 81300</i> Series Type Nos. 0526, 0529, 0531, 0651, 0653, 0659, 0668, 0670, 0672, 0673, 0686, 0689, 0698, 0700, 0702, 0707, 0709, 0712, 0718. | 102 | †27917 | Gasket—Carburetor Body |
| 59 | 230228 | Pin—Starter Grip | | | | 104 | †23114 | Pin—Float Hinge |
| 60 | 393152 | Grip—Starter Rope | | | | 107 | 295617 | Body Assy.—Carb. |
| 61 | 68618 | Bumper—Starter Pulley | | | | 108 | 220897 | Valve—Choke |
| 66 | 298310 | Clutch Assy.—Rewind Starter | | | | 109 | 294874 | Shaft and Lever Assy.—Choke |
| 67 | 212131 | Housing—Starter Clutch | 295609 | Carburetor Assembly (Standard) (Manual Choke) Used on <i>Model 81400</i> Series Engines. | | 110 | 220899 | Washer—Choke Lever |
| 68 | 63770 | Ball—Clutch | | | | 111 | 26229 | Spring—Choke Lever |
| 70 | 298436 | Ratchet—Rewind Starter | | | | 112 | 23270 | Screw—Choke Lever |
| 71 | 221653 | Washer—Clutch Retainer | | | | 113 | †23222 | Nozzle—Carburetor |
| 73 | 221661 | Screen—Rotating | | | | 114 | †68887 | Packing—Needle Valve |
| 74 | 93490 | Screw—Rotating Screen Mounting Sem | | | | 117 | †23227 | Nut—Needle Valve Packing |
| 75 | 220865 | Washer—Spring | | | | 118 | †230005 | Valve—Needle Note: 292088 Valve—Needle (Kerosene) Used on Type Nos. 0526, 0529, 0531, 0651, 0653, 0659, 0668, 0670, 0672, 0673, 0686, 0689, 0698, 0700, 0701, 0702, 0707, 0712, 0718. |
| 76 | 68238 | Washer—Ratchet Sealing | 91 | 295608 | Housing Assembly— Throttle Used on <i>Model 81300</i> Series Engines. Note: 295531 Housing Assy.—Throttle Used on <i>Model 81400</i> Series Engines. | 119 | 93347 | Screw—Sem |
| 79 | 290779 | Case Assembly—Gear | | | | 120 | 92290 | Washer—Lock—No. 10 x 1/16 x 3/64" |
| 80 | 27667 | Gasket—Gear Case | | | | 121 | 291691 | Carburetor Overhaul Kit |
| 81 | 220234 | Lock—Gear Case Mounting Screw | | | | 127 | 220352 | Plug—Welch |
| 82 | 91541 | Screw—Cap, Hex. Hd.—5/16-24 x 7/8" | 92 | 99634 | Body—Upper Carb. Note: When this Part is Not Available, Order Part No. under Ref. 91. | 128 | 210811 | Venturi—Carburetor |
| 82A | 92279 | Screw—Cap, Hex. Hd.—5/16-24 x 1-1/2" | | | | 132 | 61967 | Stop—Throttle Lever |
| 83 | 211293 | Shaft Assembly—Drive | | | | 133 | 293477 | Float—Carburetor |
| 84 | 92617 | Plug—Breather | 93 | 23230 | Bushing—Throttle Shaft | 134 | †293478 | Valve and Seat— Fuel Inlet |
| 85 | 92747 | Screw—Gear Case Mounting Sem | 94 | †292681 | Valve Assembly— Carburetor Idle | 135 | 68877 | Gasket—Fuel Inlet Valve Seat |
| 86 | 291730 | Cover Assembly— Gear Case | 95 | 93499 | Screw—Throttle Valve Mounting Sem | 157 | 27840 | Gasket—Venturi |
| 87 | 19011 | Seal—Oil | 96 | 22036 | Valve—Throttle | 163 | 271042 | Gasket—Air Cleaner Mounting |
| 88 | 27313 | Gasket—Gear Case Cover | 97 | 295436 | Shaft and Lever— Throttle Used on <i>Model 81300</i> Series Engines. | 165 | 93856 | Nut—Wing |
| 89 | 93448 | Plug—Oil Drain (1/4" Pipe thread) | | | | 166 | 231314 | Stud—Air Cleaner (Used after Code Date 83113003) Note: 231177 Stud—Air Cleaner (Used before Code Date 83120103) |
| 90 | 295607 | Carburetor Assembly (Standard) (Manual Choke) Note: Carburetors, including No. 295607, are used on <i>Model 81300</i> Series Engines. | 98 | 91920 | Screw—Machine, Fill. Hd.— 8-32 x 5/8" | 169 | 90832 | Washer—Lock— 1/4 x 3/32 x 5/64" |
| | | | 99 | †26157 | Spring—Throttle Adjustment | 171 | 92129 | Nut—Hex.—1/4-28 |
| | | | 101 | 93043 | Pin—Throttle Stop and Governor Shaft | 172 | 271139 | Gasket—Air Cleaner |
| | | | | | | 172A | 280213 | Spacer—Air Cleaner |

†Included in Carburetor Overhaul
Kit—Part No. 291691.

81300 to 81499

| REF. NO. | PART NO. | DESCRIPTION | REF. NO. | PART NO. | DESCRIPTION | REF. NO. | PART NO. | DESCRIPTION |
|----------|----------|--|----------|----------|--|----------|----------|---|
| 180 | 292945 | Tank Assembly—Fuel (3 Quart) | 204 | 23688 | Bushing—Gov. Lever | 246 | 298683 | Bowl—Fuel Filter |
| 180A | 392911 | Tank Assembly—Fuel (3 Quart) (Kerosene—Gasoline) | 206 | 230149 | Nut—Control Rod | 247 | 99665 | Yoke—Fuel Filter |
| 181 | 393156 | Cap—Fuel Tank Note: 297868 Cap—Fuel Tank Used on Type No. 0711. | 206A | 93422 | Stop Nut—Hex. | 258 | 93062 | Screw—Sem |
| 181A | 392886 | Cap—Fuel Tank (Small) (Kerosene—Gasoline) | 207 | 26855 | Spring—Control Rod | 259 | 294502 | Bracket—Control Wire Casing |
| 181B | 392887 | Cap—Fuel Tank (Large) (Kerosene—Gasoline) | 208 | 230194 | Rod—Control Note: 230323 Rod—Control Used on Model 81400 Series. | 266 | 290062 | Control—Throttle |
| 182 | 220195 | Bracket—Fuel Tank | 209 | 26925 | Spring—Governor Used on Model 81300 Series. | 268 | 66986 | Casing—Control Wire—48" long Note: If a longer casing is needed, specify length in inches; if a shorter casing is needed, order No. 66986 and cut to required length. |
| 183 | 393181 | Strap Assembly | | | Note: 260546 Spring—Mech. Governor Used on Model 81400 Series. | 269 | 26099 | Wire—Control—54" long Note: If longer wire is needed, specify length in inches; if shorter wire is needed, order No. 26099 and cut to required length. |
| 184 | 91257 | Screw—Fill. Hd. | 219 | 296688 | Governor Housing and Gear Assembly | 270 | 63426 | Locknut—Control Wire Casing |
| 185 | 90970 | Nut—Square | 220 | 221361 | Washer—Thrust (.030" Thick) | 271 | 290568 | Lever Assy.—Control |
| 186 | 67218 | Elbow, 90° (Flexible Fuel Line) | 221 | 230177 | Cup—Governor | 278 | 220863 | Washer (Between Support and Cylinder Head) |
| 186A | 93849 | Elbow 90° (Metal Fuel Pipe) | 222 | 220891 | Bracket—Mechanical Governor | 298 | 220859 | Locknut—Muffler and Exhaust Elbow |
| 187 | 296004 | Line—Fuel (Flexible) (23" Long) (For Kerosene Line, cut to 9-1/4" Long) | 223 | 220690 | Lever—Mechanical Governor | 299 | 392911 | Muffler—Exhaust Note: 394781 Guard—Muffler Uses: 93606 Screw (Guard to Muffler Mounting) 62199 Washer (Guard to Bracket Mounting) 93673 Screw (Guard to Bracket Mounting) 223127 Brace—Muffler Used on Type Nos. 0727, 0728. |
| 187A | 392902 | Pipe—Fuel (Metal) (Long) (Kerosene—Gasoline) | 224 | 93067 | Screw—Governor Lever Mounting Sem | 304 | | Housing—Blower (For Rope Starter) Note: For Type Nos. not listed below, see Ref. No. 608. |
| 189 | 90366 | Washer—Lock—5/16 x 1/8 x 1/16" | 225 | 230181 | Shaft—Governor Lever | | | |
| 195 | 91635 | Connector—Fuel Filter | 226 | 220381 | Follower—Governor Crank | | | |
| 196 | 220369 | Support—Fuel Tank | 227 | 294077 | Lever Assy.—Governor | | | |
| 196A | 222759 | Support—Fuel Tank (Kerosene—Gasoline) | 228 | 93100 | Screw—Governor Lever Mounting | | | |
| 197 | 93083 | Screw—Tank Mtg. Sem | 229 | 220680 | Washer—Thrust | | | |
| 198 | 293934 | Valve Assembly—Fuel Shut Off | 230 | 22826 | Washer—Spacer | | | |
| 199 | 295896 | Outlet—Fuel Tank (Includes Strainer) (for Flexible Fuel Pipe) | 231 | 93064 | Screw—Sem | | | |
| 199A | 392882 | Valve—Shut Off (Kerosene—Gasoline) | 232 | 260178 | Spring—Governor Link | | | |
| 200 | 297309 | Blade—Governor Note: 221456 Blade—Gov. Used on Model 81400 Series. | 233 | 230253 | Stop—Control Rod | | | |
| 201 | 26235 | Link—Governor Note: 260076 Link—Gov. Used on Model 81400 Series. | 234 | 220730 | Clip—Control Rod | | | |
| | | | 240 | 393189 | Filter Assembly—Fuel | | | |
| | | | 241 | 296005 | Cover Assy.—Fuel Filter Note: 89347 Cover Assy.—Fuel Filter Used with Metal Fuel Pipe | | | |
| | | | 242 | 295913 | Lever and Cover—Fuel Shut Off | | | |
| | | | 243 | 22547 | Screen—Fuel Filter | | | |
| | | | 244 | 230318 | Connector—Flexible Fuel Pipe | | | |
| | | | 244A | 92427 | Connector—Metal Fuel Pipe | | | |
| | | | 245 | 68477 | Gasket—Fuel Filter Bowl | | | |

81300 to 81499

| REF. NO. | PART NO. | DESCRIPTION | REF. NO. | PART NO. | DESCRIPTION | REF. NO. | PART NO. | DESCRIPTION |
|-------------|---------------|--|-------------|---------------|--|-------------|---------------|--|
| | | 398980 Housing—Blower (For Rope Starter) Used on Model 81331, 81351, 81431 Series. | 347 | 220884 | Switch—Stop (For 1-1/2" High—37-42 M.M. Spark Plug) | 382 | 93158 | Screw—Sem Note: 92838 Screw—Cap, Hex. Hd.—1/4-20 x 20" |
| 305 | 93158 | Screw—Blower Housing and Flywheel Guard Mounting | 347A | 298926 | Switch—Stop (For 1-1/2" High—37-42 M.M. Spark Plug) | | | 90832 Washer—Lock—1/4 x 3/32 x 5/64" 23052 Spacer Used on Model 81300, 81400 Series Type Nos. 0677, 0678, 0679, 0680, 0681, 0684, 0690. |
| 306 | 220478 | Shield—Cylinder | | | Note: 293739 Switch—Stop (For 2" High — 51 M.M. Spark Plug) | | | 383 89838 Wrench—Spark Plug |
| 307 | 93490 | Screw—Cylinder Shield Mtg. Sem | 353 | 92791 | Washer—Lock—Shakeproof | 445 | 398424 | Cartridge—Air Cleaner |
| 308 | 220581 | Cover—Cylinder Head | 354 | 90576 | Nut—Hex.—8-32 | 445A | 392308 | Cartridge—Air Cleaner |
| 319 | 395488 | Armature Assy. (Less Trigger Coil) | 356 | 398874 | Wire—Ground | 446 | 395642 | Base—Air Cleaner |
| 325 | 298731 | Pulley with Screen—Rope Starter (5/8" hole in Pulley) Used on Model 81331, 81351, 81431, 81451 Series | 356A | 298893 | Wire—Ground Note: All Wires Listed are Used with Armature Ref. Nos. 333A and 333B | 446A | 222844 | Base—Air Cleaner |
| 330 | 69932 | Rope—Starter | 357 | 91539 | Key—3/16" Square | 467 | 212706 | Knob—Air Cleaner |
| 331 | 220865 | Washer—Flywheel (5/8" hole) | 358 | 297275 | Gasket Set | 467A | 212293 | Knob—Air Cleaner |
| 332 | 92264 | Nut—Flywheel (5/8-18 right hand thread) | 362 | 291630 | Shield—Spark (with Stop Switch) | 506 | 90200 | Screw—Machine, Fil. Hd.—8-32 x 1/2" |
| 333 | 397316 | Armature Assembly | 363 | 19069 | Pulley—Flywheel (Optional Accessory) | 507 | 68895 | Insulator—Terminal |
| 333A | 395489 | Armature Group (MAGNETRON® Ignition) | 369 | 220705 | Spring—Control Friction | 516 | 260374 | Spring—Connector |
| 333B | 298502 | Armature—Magneto (For Points & Condenser) | 370 | 66432 | Washer—Plain | 521 | 297973 | Shielding—Ignition Cable |
| 334 | 93381 | Screw—Armature Mtg. Sem | 372 | 220477 | Clamp—Condenser | 523 | 69345 | Cap—Oil Filler Note: 297357 Cap—Oil Filler (with Dipstick) Used on Model Series 81331, 81332 Type Nos. 0526, 0527, 0528, 0529, 0530, 0531, 0532, 0537, 0538, 0573, 2535, 2536, 2537. |
| 337 | 298809 | Plug—Spark (1-1/2" High—37-42 M.M.) Note: 29693 Plug—Spark (2" High—51 M.M.) 293918 Plug—Spark (1-1/2" High—37-42 M.M.) (Resistor Type) | 373 | 92987 | Nut—Hex. | | | 297357 Cap—Oil Filler (with Dipstick) 393526 Cap—Oil Filler (with Dipstick) (Used before Code No. 81120900) Used on Model 81351 Series Type Nos. 0548, 0549, 2548, 2549. |
| 340 | 26018 | Spring—Breaker Arm | 374 | 92813 | Washer—Lock—Shakeproof No. 1210-06 | | | 524 65304 Gasket—Oil Filler Cap |
| 341 | 93381 | Screw—Breaker Arm Mounting Sem | 375 | 294628 | Breaker Points and Condenser Set Note: 299061 Ignition Kit Includes: 294628 Point Set 65704 Plunger 61760 Key—Flywheel (For Conversion to MAGNETRON® Ignition, Order Part No. 394870 MAGNETRON® Ignition Kit) | 525 | 91258 | Nipple Oil Filler (2-1/2" Lg.) Note: Use 394884 Adaptor—Oil Filler with Nipple |
| 342 | 65704 | Plunger—Breaker Point | 378 | †22032 | Washer—Needle Valve Packing | | | 535 271466 Element—Air Cleaner |
| 344 | 93042 | Screw—Condenser Clamp Mounting | 380 | 62199 | Washer—Plain | | | 537 212287 Spacer—Air Cleaner |
| 345 | 220366 | Cover—Breaker Point and Condenser | 381 | 93294 | Screw—Sem | | | |
| 346 | 93705 | Screw—Dust Cover Mounting Sem | | | | | | |

†Included in Carburetor Overhaul Kit—Part No. 291691.

81300 to 81499

| REF. NO. | PART NO. | DESCRIPTION | REF. NO. | PART NO. | DESCRIPTION | REF. NO. | PART NO. | DESCRIPTION |
|----------|----------|---|----------|----------|---|----------|----------|--|
| 549 | 271118 | Washer (below Wing Nut) | | 295816 | Housing—Blower (For Rewind Starter) (3 o'clock) Used on Type No. 0711. | 852A | 392368 | Air Cleaner Assy. |
| 552 | 231079 | Bushing—Governor Shaft (Not Used with 394199 Cylinder Assembly) | 635 | 66538 | Elbow—Spark Plug | 869 | 210879 | Seat—Intake Valve (Standard) |
| 575 | 398891 | Stop Switch—Rotary | 642 | 223306 | Cover—Air Cleaner | 870 | 211291 | Seat—Exhaust Valve (Standard) |
| 601 | 93053 | Clip—Fuel Pipe (2) | 642A | 222626 | Cover—Air Cleaner | 871 | 262001 | Guide—Exhaust Valve Note: 63709 Guide—Intake Valve (Brass) |
| 608 | 398034 | Starter Assy.—Rewind (10 o'clock) Note: 294337 Housing—Blower (for Rewind Starter) (12 o'clock) Used on Type Nos. 0537, 0538, 0549, 0667, 0680, 0690, 0713, 0714, 2535, 2537, 2548, 2549. | 643 | 222845 | Cup—Air Cleaner | 888 | 393891 | Line—Fuel (Flexible) (Short) (Kerosene—Gasoline) |
| | | | 645 | 23513 | Bushing—Plunger (Used only with Breaker Point Ignition) | 888A | 392901 | Pipe—Fuel (Metal) (Short) (Kerosene—Gasoline) |
| | | | 676 | 393760 | Deflector—Exhaust | 899 | 93915 | Tee (Kerosene—Gasoline) |
| | | | 682 | 211518 | Shield—Starter Clutch | 889A | 93846 | Tee (Kerosene—Gasoline) |
| | | | 741 | 261721 | Gear—Timing (For Ball Bearing) Note: 261533 Gear—Timing (For Plain Bearing) | 897 | 394970 | Trigger Coil—MAGNETRON® Ignition |
| | | | 851 | 221798 | Terminal—Ignition Cable | 904 | 394236 | Bearing—Needle |
| | | | 852 | 396397 | Air Cleaner Assy. | 994 | 398067 | Spark Arrester |

