

82200 to 82299

Illustrated Parts List

Industrial/Commercial

Model Series

82200 to 82299

TYPE NUMBERS
0111, 0115, 0121,
0122, 0126,
0133 through 0164
2035, 2036, 2040,
2049, 8044, 8111,
8115, 8130.

**TO FIND
THE CORRECT NUMBER OF THE PART YOU NEED:
FOLLOW THE INSTRUCTIONS BELOW**

- A. Refer to Engine Model, Type and Code Number that is stamped on the blower housing of engine. Engine type numbers such as 0123 01 are listed only as 0123 in most instances. The two digits (01 or 02, etc.) to the right of the space may be required for more accurate parts identification in some instances. Select the Illustrated Parts List covering the correct Model Series and Type Number.
- B. Refer to the Illustrations and compare the original part with Illustration. The number next to the illustration is the Reference Number. Assemblies include all parts shown in frames. All parts shown in assembly frames having individual reference numbers can be purchased separately.
- C. After the Reference Number has been identified, refer to the Numerical text, where Reference and Primary Part Number are listed. **THE PRIMARY PART IS USED ON ALL TYPE NUMBERS EXCEPT THOSE TYPE NUMBERS UNDER "NOTE."**
- D. If a "Note" appears below the Primary Part Number, it means that this part differs from the Primary Part for certain types. If your Type number is listed under "Note," order the part referred to at the "Note."
- E. If your Engine Type Number does not appear after any part number listed under "Note," use the Primary Part Number.
- F. For Engine Type Numbers not covered by this book, check other Parts Lists having the same engine model or contact your source of supply.

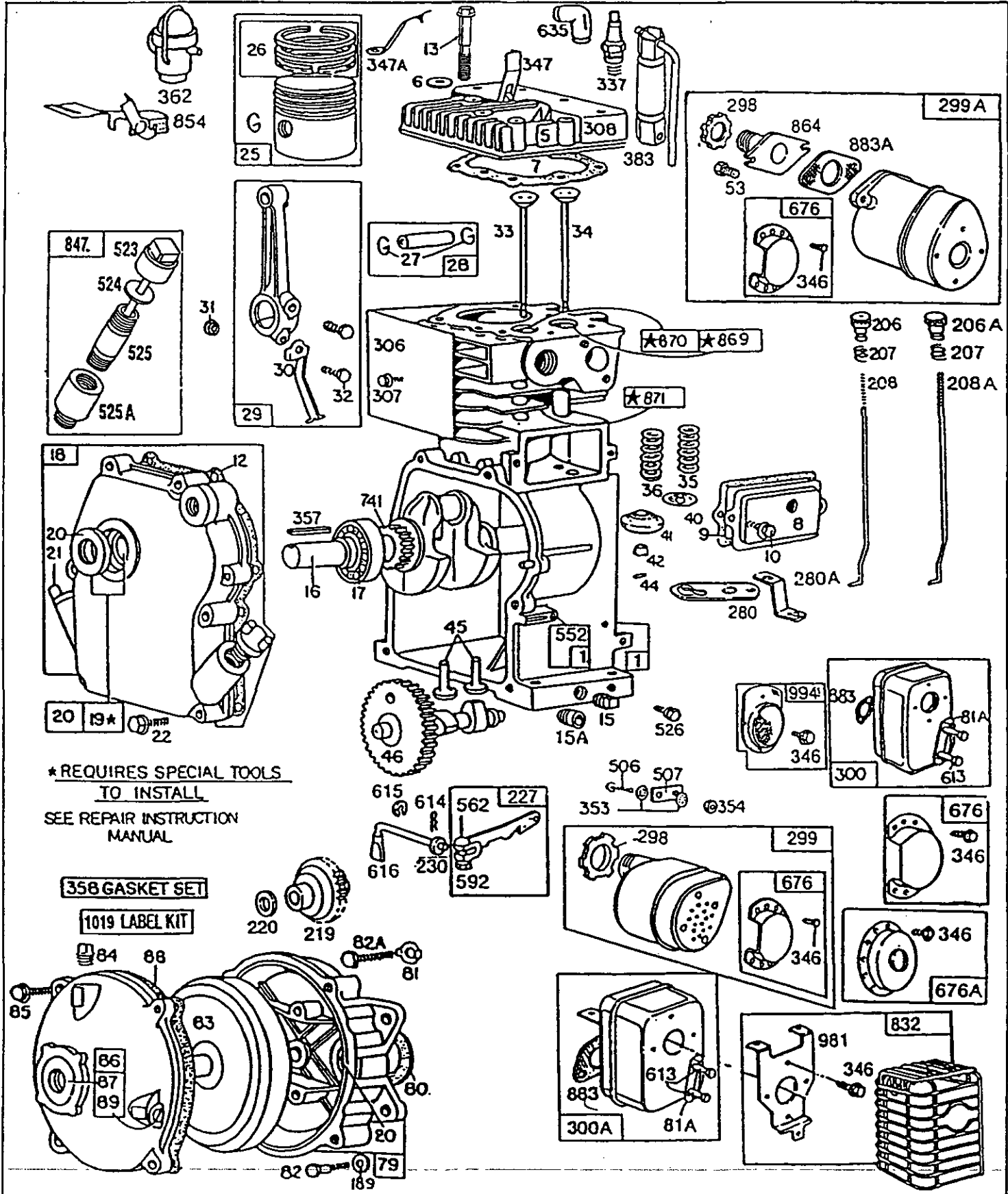
PRINTED IN U.S.A.

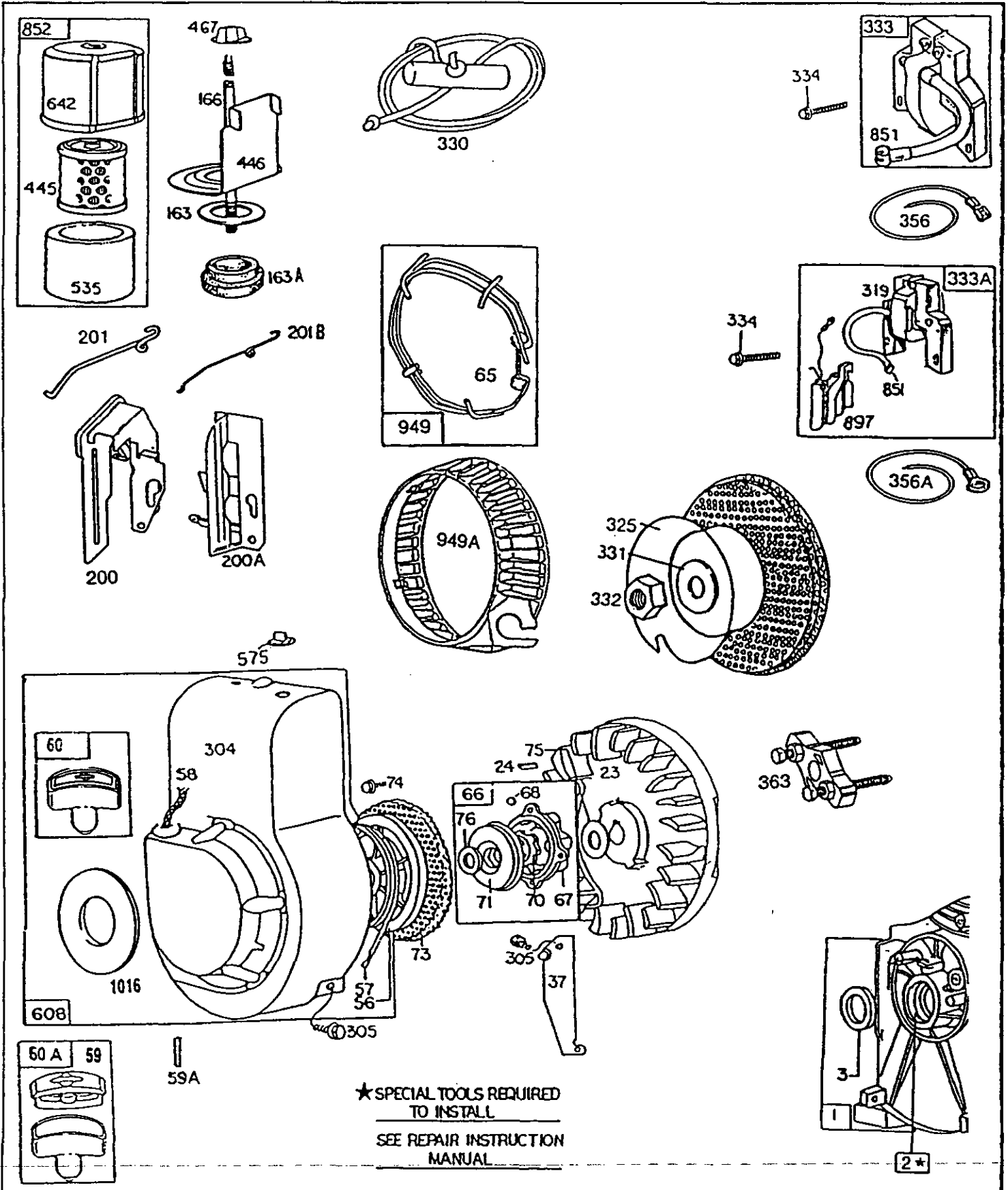
COPYRIGHT ©

BRIGGS & STRATTON

®

82200 to 82299



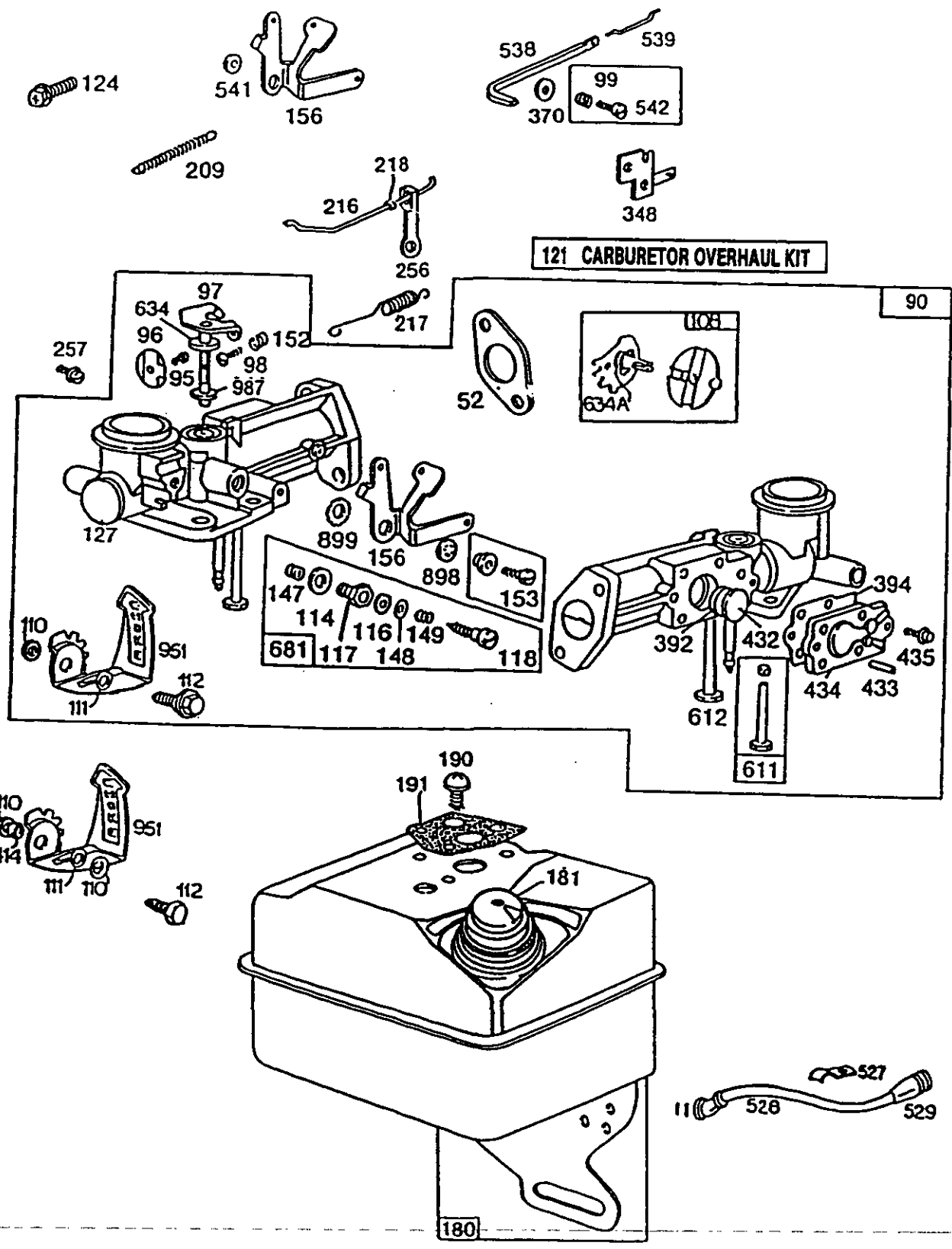


★ SPECIAL TOOLS REQUIRED TO INSTALL

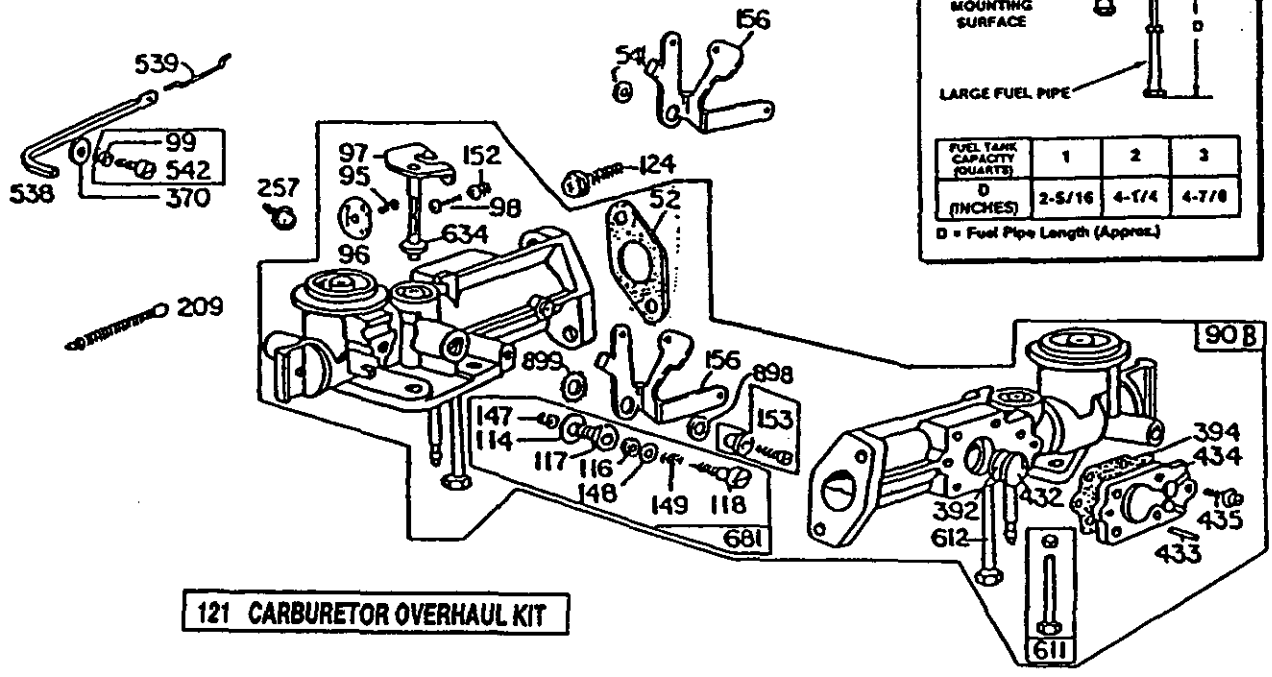
SEE REPAIR INSTRUCTION MANUAL

82200 to 82299

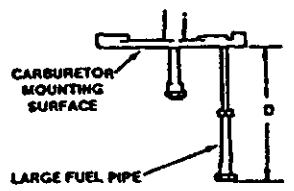
THESE PARTS USED ON ENGINES WITH AIR VANE.



THESE PARTS USED ON
ENGINES WITH AIR VANE.



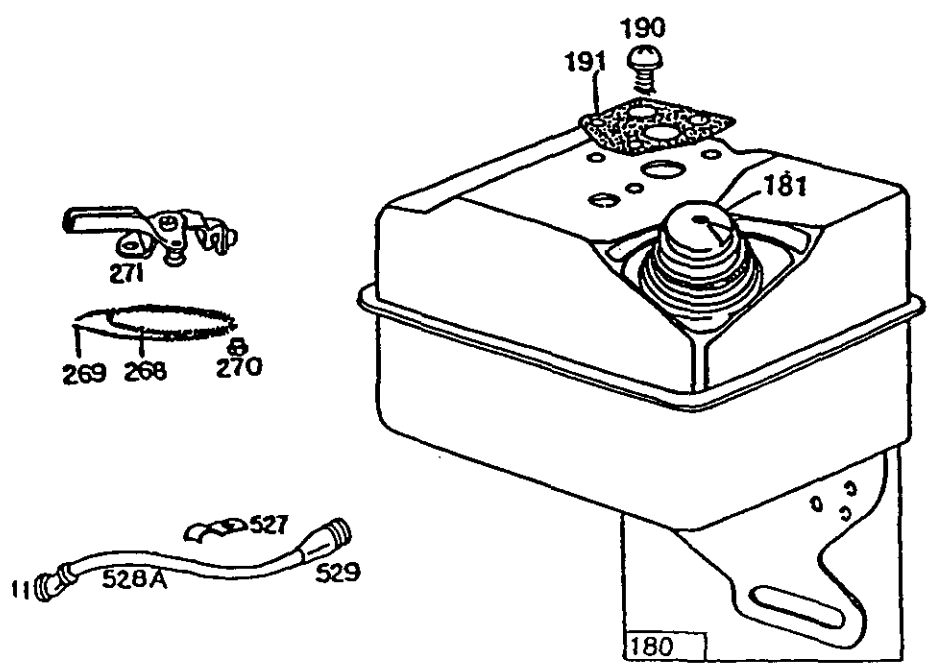
To replace carburetor assembly, determine fuel tank capacity as shown



FUEL TANK CAPACITY (QUARTS)	1	2	3
D (INCHES)	2-5/16	4-1/4	4-7/8

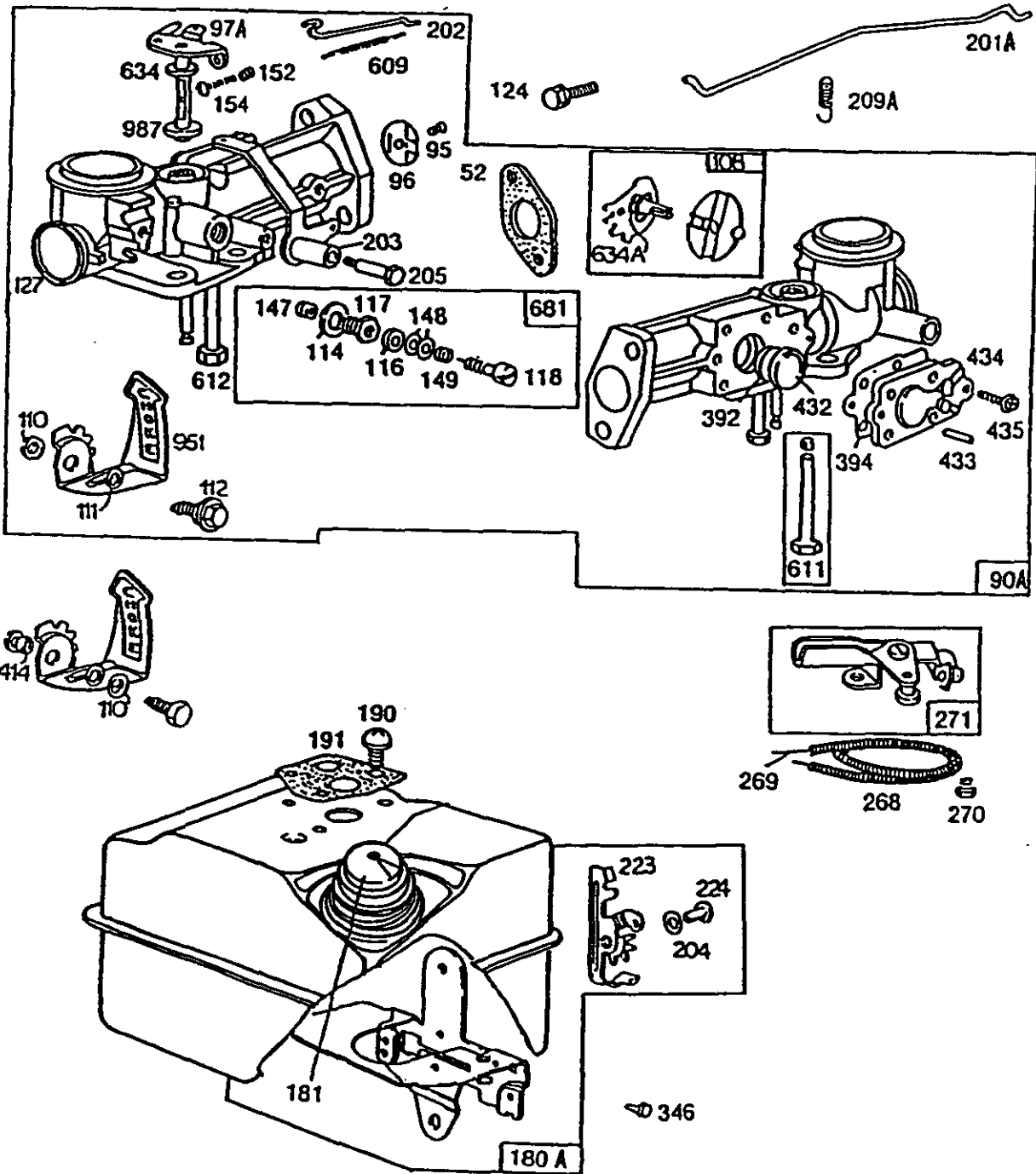
D = Fuel Pipe Length (Approx.)

121 CARBURETOR OVERHAUL KIT

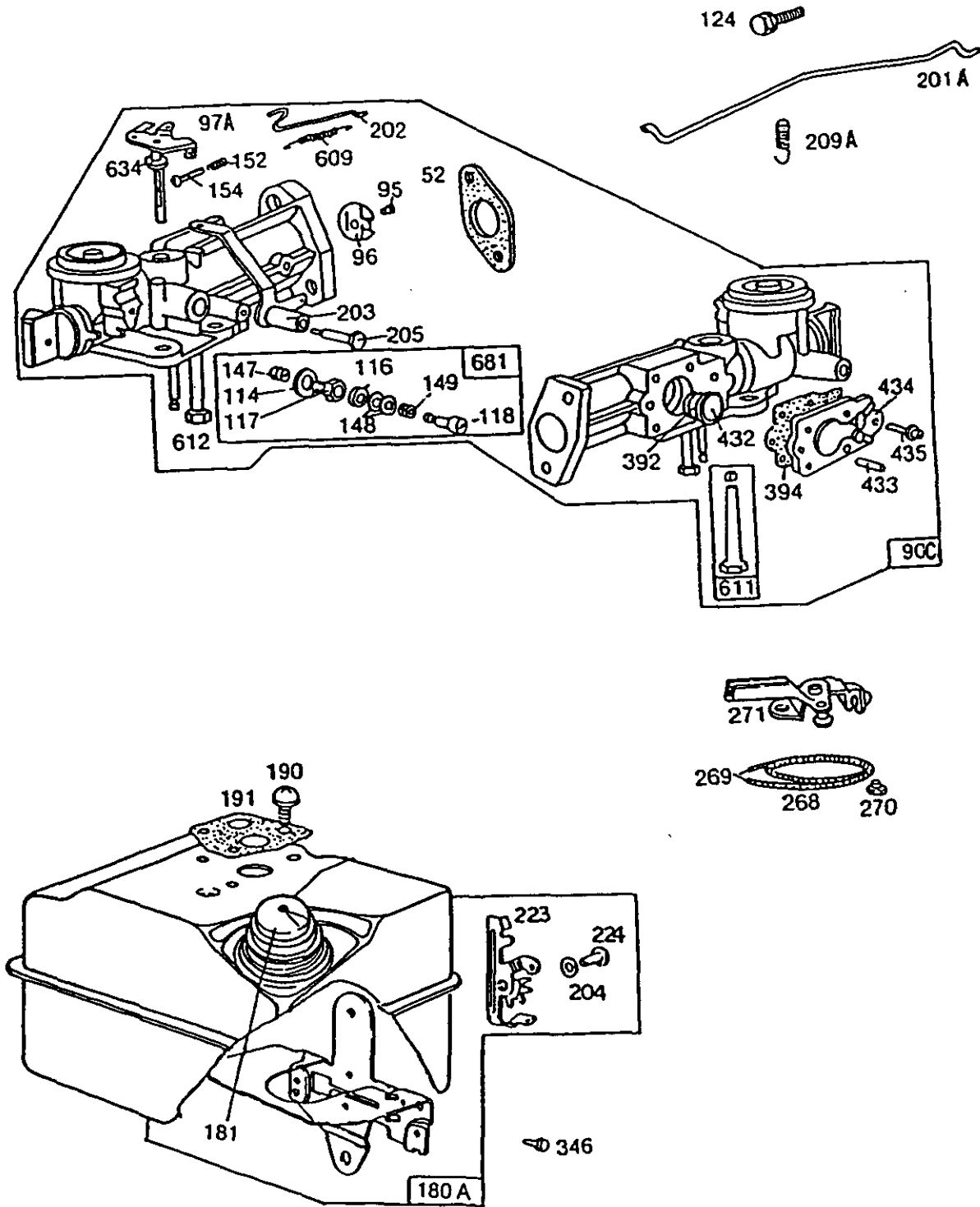


82200 to 82299

THESE PARTS USED ON
ENGINES WITH MECHANICAL
GOVERNOR.



THESE PARTS USED ON
ENGINES WITH MECHANICAL
GOVERNOR.



82200 to 82299

REF. NO.	PART NO.	DESCRIPTION	REF. NO.	PART NO.	DESCRIPTION	REF. NO.	PART NO.	DESCRIPTION
1	395567	Cylinder Assembly		494033	Crankshaft	MODEL 82200 SERIES		
2	399269	Bearing			Used on Type Nos.	PISTON RING SETS:		
3	*299819	Seal-Oil			0115, 8044, 8130.			Note: For Chrome Piston
5	210812	Head-Cylinder	17	99158	Bearing-Ball			Ring Set (Standard
6	22963	Washer	18	395259	Cover Assembly-Crankcase			Size) Order Part No.
7	*272167	Gasket-Cylinder Head			Used on Model 82231,	26	295657	297201.
8	294178	Breather Assy.			82232 Series Engines.		295658	Ring Set-Piston (Std.)
9	*27549	Gasket-Valve Cover			Note: 298511 Cover Assy.-			(.010" O.S.)
10	93394	Screw-Breather Mounting Sem			Crankcase		295659	Ring Set-Piston
11	66578	Tube-Breather			Used on Type No.			(.020" O.S.)
12	*270833	Gasket-Crankcase (.015" Thick, Standard)			0149.		295660	Ring Set-Piston
	*270895	Gasket-Crankcase (.005" Thick)			394909 Cover Assy.-			(.030" O.S.)
	*270896	Gasket-Crankcase (.009" Thick)			Crankcase	27	26026	Lock-Piston Pin
13	94547	Screw-Cylinder Head (2-5/16" Long)	19	293708	Bushing Assembly-Crankcase Cover (Includes Part No. 220538 Bushing)	28	298909	Pin-Piston (Std.)
	Note: 93583 Stud-Cyl. Head				Used on Model 82251,		298908	Pin-Piston (.005" O.S.)
	22963 Washer				82252 Series Engines.	29	294367	Rod-Connecting
	Used on Type Nos.							Note: For Connecting Rod
	0146, 0147, 0156,							With .020" Undersize
	0157, 0160, 0163,							Crankpin Bore-Order
	0164.							Part No. 296079.
15	91249	Plug-Oil Drain	20	*299819	Seal-Oil	30	220670	Dipper-Connecting Rod
15A	93448	Plug-Oil Drain (Hex. Socket Head)			Note: 392838 Oil Seal and	31	222282	Washer-Connecting
					Spacer			Rod Screw
					Used on Model 82251,	32	94404	Screw-Connecting Rod
					82252 Series Engines.	33	262580	Valve-Exhaust
					393812 Seal-Oil			(Cobalite®)
					Used on Model 82231,			(Used After Code Date
					82232 Series Engines.			90051300).
16	493633	Crankshaft	21	66768	Plug-Oil Drain			260443 Valve-Exhaust
	Note: To Replace Crankshaft		22	93032	Screw-Crankcase			(With Hole in Stem)
	Gear Pin, Order Part				Cover Mounting Sem			(Cobalite®)
	No. 230978.				Note: 92747 Screw-			(Used Before Code
	397252 Crankshaft				Crankcase Mounting			Date 90051400).
	Used on Type Nos.				Sem Used in Two Top			Note: 296676 Valve-Exhaust
	0121, 0151, 0154.				Holes to Mount Cover			(Grooved Stem-
	492095 Crankshaft				on Model 82251 and			Includes Retainer No.
	Used on Type Nos.				82252 Series Engines.			93312)
	0122, 0134, 0136,		23	296884	Flywheel			Used on Type Nos.
	0146, 0147, 0148,				Note: 395653 Flywheel-			0150, 0151, 0152,
	0149, 0150, 0153,				Magneto			0153, 0154, 0155,
	2036.				Used on Type No.			0158, 0161.
	493599 Crankshaft				0147.			
	Used on Type Nos.							
	0126, 0135, 0141,		24	222698	Key-Flywheel	34	296677	Valve-Intake
	0143, 0145, 0160,		25	295455	Piston Assembly (Std.)			(Grooved Stem-
	2049.				295456 Piston Assy.			Includes Retainer Part
	493849 Crankshaft				(.010" O.S.)			No. 93312)
	Used on Type Nos.				295457 Piston Assy.	35	260552	Spring-Valve
	0138, 0139, 0140,				(.020" O.S.)			
	0157, 0159, 0161,				295458 Piston Assy.			
	0163, 2040.				(.030" O.S.)			

* Included in Gasket Set-Part No. 397144.

Included in Carburetor Kit-Part No. 494624.

82200 to 82299

REF. NO.	PART NO.	DESCRIPTION	REF. NO.	PART NO.	DESCRIPTION	REF. NO.	PART NO.	DESCRIPTION
36	262750	Spring-Valve (Used After Code Date 90051300). 26826 Spring-Exhaust Valve (Used Before Code Date 90051400). Note: 260552 Spring-Valve Used on Type Nos. 0150, 0151, 0152, 0153, 0154, 0155, 0158, 0161.	71	394506	Washer-Clutch Retainer	90A	398124	Carburetor (Rotary Choke) (For 2 Quart Tank) (Mech. Gov.) Note: 398112 Carb. (For 3 Quart Tank) (Mech. Gov.) Used on Type No. 8115.
37	220971	Guard-Flywheel	73	221661	Screen-Rotating	90B	393976	Carburetor (For 2 Quart Tank) Note: All Carburetors Listed Under Ref. 90A Use 222955 Ref. 156 Lever. 393975 Carb. Assy. (For 1 Quart Tank) Used on Type No. 0138.
40	93312	Retainer-Valve Spring	74	93490	Screw-Rotating Screen Mounting Sem			
41	491442	Rotocap-Exhaust Valve (Used After Code Date 90051300). 292259 Rotocap-Exhaust Valve (Used Before Code Date 90051400). Note: 93312 Retainer-Valve Spring Used on Type Nos. 0150, 0151, 0152, 0153, 0154, 0155, 0158, 0161.	75	224061	Washer-Spring			
			76	68238	Washer-Ratchet Sealing			
			79	290779	Case Assy.-Gear			
			80	27667	Gasket-Gear Case			
			81	220234	Lock-Gear Case Mounting Screw			
			81A	223256	Lock-Screw			
			82	91541	Screw-Cap, Hex. Hd. (7/8" Long)			
			82A	92279	Screw-Cap, Hex. Hd. (1-1/2" Long)			
			83	211293	Shaft Assembly-Drive	90C	394828	Carburetor (For 2 Quart Tank) (Mech. Gov.)
			84	92617	Screw-Gear Case Mounting Sem	95	93499	Screw-Throttle Valve Mounting Sem
			85	92747	Screw-Gear Case Mounting Sem	96	211203	Valve-Throttle
			86	291730	Cover Assembly-Gear Case	97	297961	Shaft-Throttle
			87	19011	Seal-Oil	97A	297468	Shaft-Throttle (Mech. Gov.)
			88	27313	Gasket-Gear Case Cover	98	93527	Screw-Mach. Rd. Hd.
			89	93448	Plug-Oil Drain	99	393586	Spring & Screw Set (Includes Fillister Head Screw)
			90	397939	Carburetor (Rotary Choke) (For 2 Quart Tank) Note: 398049 Carb. (For 3 Quart Tank) Used on Type Nos. 0134, 0136, 0142, 0143, 0145, 0146, 0147, 0148, 0150, 0151, 0152, 0153, 0154, 0155, 0158. 398711 Carb. (For 2 Quart Tank) Used on Type Nos. 0133, 0135, 0139, 0140, 0156, 0163, 0164. 398712 Carb. (For 3 Quart Tank) Used on Type No. 0157.	108	397134	Valve-Choke
						110	66432	Washer-Choke Lever
						111	94060	Washer-Wave
						112	94164	Screw-Choke Lever (Used After Code Date 86011200). Note: 93686 Screw-Choke Lever (Used Before Code Date 86011300).
						114	●66594	Gasket-Needle Valve Nut
						116	●65978	Packing-Needle Valve
						117	●230590	Nut-Needle Valve
						118	●23433	Valve-Needle
						121	494624	Carburetor Kit
						124	93357	Screw-Hex. Hd.
						127	22831	Plug-Welch
						147	●230591	Seat-Needle Valve

* Included in Gasket Set-
Part No. 397144.

● Included in Carburetor Kit-
Part No. 494624.

82200 to 82299

REF. NO.	PART NO.	DESCRIPTION	REF. NO.	PART NO.	DESCRIPTION	REF. NO.	PART NO.	DESCRIPTION
148	●22235	Washer-Needle Valve	200A	490529	Blade-Governor	227	394541	Lever Assy.-Governor (Mech. Gov.)
149	●26336	Spring-Needle Valve	201	262041	Link-Governor	230	222450	Washer-Gov. Lever (Mech. Gov.)
152	260575	Spring-Throttle Adjustment			Used With Ref. 200 Governor Blade.	256	220952	Lever-Speed Adjuster
153	298031	Screw-Carburetor Cam and Lever	201A	261590	Link-Governor (Mech. Gov.)	257	93543	Screw-Fillister Hd.
154	93527	Screw-Rd. Hd. Mach.	201B	261663	Link-Governor	268	66986	Casing-Control Wire (48" Long)
156	222955	Lever-Speed Adjuster			Used With Ref. 200A Governor Blade.			Note: If Longer Casing is Needed, Specify Length in Inches; If a Shorter Casing is Needed, Order No. 66986 and Cut to Required Length.
163	●271139	Gasket-Carburetor	202	260678	Link-Throttle (Mech. Gov.)	269	26099	Wire-Control (54" Long)
163A	27660	Gasket-Air Cleaner Mounting	203	394670	Crank-Bell (Mech. Gov.)			Note: If Longer Wire is Needed, Specify Length in Inches; If Shorter Wire is Needed, Order Part No. 26099 and Cut to Required Length.
166	231332	Stud-Air Cleaner	204	222962	Bushing-Governor Control Lever (Mech. Gov.)	270	63426	Locknut-Control Wire Casing
	Note:	231315 Stud-Air Cleaner	205	93838	Screw-Shoulder (Mech. Gov.)	271	290568	Lever Assy.-Control
		Used With Pull Choke Carburetor on Type No. 0138.	206	231266	Nut-Control Rod	280	223236	Guide Bar-Control Rod
180	397789	Tank Assy.-Fuel (2 Qt.)	206A	230149	Nut-Control Rod	280A	221384	Bracket
	Note:	397622 Tank Assy.-Fuel (3 Quart)	207	26855	Spring-Control Rod	298	220859	Locknut-Muffler
		Used on Type Nos. 0134, 0136, 0142, 0143, 0145, 0146, 0147, 0148, 0150, 0151, 0152, 0153, 0154, 0155, 0157, 0158, 0160.	208	261990	Rod-Control	299	493288	Muffler-Exhaust (Lo-Tone)
		399439 Tank Assy.-Fuel (1 Quart With Bracket)	208A	230680	Rod-Control	299A	492591	Muffler-Exhaust (Lo-Tone)
	Uses:	93686 Screw-Bracket to Cylinder Mounting	209	260041	Spring-Governor	300	395959	Muffler-Exhaust
		66432 Washer-Bracket to Cylinder Mounting			Note: 260662 Spring-Gov. Used on Type Nos. 0139, 0140.	300A	397888	Muffler-Exhaust (Used With Guard)
		Used on Type No. 0138.			260687 Spring-Gov. Used on Type Nos. 0163, 0164.	304		Housing-Blower
180A	397869	Tank Assembly-Fuel (2 Quart, Mech. Gov.)	209A	261130	Spring-Governor (Mech. Gov.)			Note: For Type Numbers not Listed Below, see Ref. No. 608.
	Note:	398141 Tank Assy.-Fuel (3 Quart, Mech. Gov.)	216	262020	Link-Choke			398980 Housing-Blower (For Rope Starters) Used on Model 82231, 82251 Series Engines.
		Used on Type No. 8115.	217	261951	Spring-Choke	305	93158	Screw-Sem
181	298425	Cap-Fuel Tank	218	221198	Washer-Choke Link	306	224377	Shield-Cylinder (Used After Code Date 90020400).
	Note:	391494 Cap-Fuel Tank (Chrome)	219	494845	Gear-Governor (Mech. Gov.) (Used After Code Date 91060900).			Note: 220478 Shield-Cylinder (Used Before Code Date 90020500).
189	90366	Washer-Lock			Note: 391737 Gear-Gov. (Used Before Code Date 91061000).			
190	93440	Screw-Fuel Tank Mtg.	220	221551	Washer-Thrust (Mech. Gov.)			
191	●271592	Gasket-Fuel Tank Mtg.	223	223097	Lever-Governor Control (Mech. Gov.)			
200	490529	Blade-Governor	224	93491	Rivet (Mech. Gov.)			

* Included in Gasket Set-Part No. 397144.

Included in Carburetor Kit-Part No. 494624.

82200 to 82299

REF. NO.	PART NO.	DESCRIPTION	REF. NO.	PART NO.	DESCRIPTION	REF. NO.	PART NO.	DESCRIPTION
307	93490	Screw-Cylinder Shield Mounting Sem	414	231325	Spacer-Choke Lever (Used Before Code Date 86011300).	592	231082	Nut-Hex. (Mech. Gov.)
308	223390	Cover-Cylinder Head				608	398034	Starter Assy.-Rewind (10 o'clock)
319	298502	Armature Assembly (Less Trigger Coil)	432	221377	Cap-Spring			Note: 398035 Starter Assy.-Rewind (12 o'clock)
325	298731	Pulley-Starter	433	93265	Pin-Diaphragm Cover			Used on Type Nos. 0137, 0139, 0140, 0145, 0146, 0147, 0148, 0149, 0160, 2035, 2036, 2040, 2049, 8044.
330	69932	Rope-Starter	434	210959	Cover-Diaphragm			490703 Starter Assy.-Rewind (1:30 o'clock)
331	220865	Washer-Spring	435	93141	Screw-Diaphragm Cover			Used on Type No. 0157.
332	92284	Nut-Flywheel	445	396424	Cartridge-Air Cleaner			492162 Starter Assy.-Rewind (12 o'clock)
333	398593	Armature-Magneto	446	395642	Base-Air Cleaner			Used on Type No. 0164.
333A	398593	Armature-Magneto	467	212706	Knob-Air Cleaner			
334	93381	Screw-Armature Mtg.	506	90200	Screw-Machine, Fillister Hd.			
337	492167	Plug-Spark (1-7/8" High, 49 mm)	507	66895	Insulator			
	Note:	29693 Plug-Spark (2" High, 51 mm)	523	69345	Cap-Oil Filler			
		293918 Plug-Spark (Resistor Type) (1-1/2" High, 38 mm)			Note: 297357 Cap-Oil Filler Used on Type Nos. 0149, 2035, 2036, 2040, 2049, 8044.			
		298809 Plug-Spark (1-1/2" High, 38 mm)	524	65304	Gasket-Oil Filler Cap			
346	93705	Screw-Sem	525	91258	Nipple-Oil Filler (2-1/2" Long)	609	260694	Spring-Throttle Link (Mech. Gov.)
347	220884	Switch-Stop (For 1-1/2" High, 38 mm Spark Plug)	525A	394884	Adaptor-Oil Filler with Nipple	611	391813	Fuel Pipe and Clip Assembly
347A	298926	Switch-Stop (For 1-1/2" High, 38 mm Spark Plug)	526	93343	Screw-Tank Bracket Mounting Sem	612	296811	Pipe-Fuel (Plastic)
348	296110	Plate Assembly-Stop Switch Insulator	527	221514	Clamp-Breather Tube	613	94042	Screw-Hex. Hd. Shoulder
353	92791	Washer-Lock	528	231383	Tube-Breather (Used With Rotary Choke Carburetors-Ref. 90).	614	93306	Pin-Cotter (Mech. Gov.)
354	90576	Nut-Hex.	528A	231312	Tube-Breather (Used With Pull Choke Carburetors-Ref. 90A).	615	93307	Retainer-E-Ring (Mech. Gov.)
356	398874	Wire-Ground	529	67838	Grommet-Breather Tube	616	231077	Crank-Governor (Mech. Gov.)
	Note:	396585 Wire-Ground Used on Type Nos. 2035, 2036, 2040, 2049.	535	271466	Element-Air Cleaner	634	271853	Washer-Throttle Shaft (Foam)
		398808 Wire-Ground Used on Type Nos. 0156, 0157, 0163, 0164.	538	260683	Rod-Speed Control (Square Rod)			Note: 270167 Washer-Throttle Shaft (Felt)
357	91539	Key-Square	539	260684	Link-Rod (Used Only With Square Rod).	634A	270382	Washer-Choke Shaft
358	397144	Gasket Set	541	22398	Washer-Gov. Lever	635	66538	Elbow-Spark Plug
362	89742	Shield-Spark Plug	542	393586	Screw & Spring Assy. (Includes Spring)	642	223306	Cover-Air Cleaner
363	19069	Puller-Flywheel	552	231079	Bushing-Governor Shaft (Mech. Gov.)	676	393760	Deflector-Muffler
370	66432	Washer-Plain	562	93613	Bolt-Governor Lever (Mech. Gov.)	676A	397931	Deflector-Muffler
383	89838	Wrench-Spark Plug	575	396691	Switch-Rotary	681	•299060	Needle Valve Kit
392	260455	Spring-Fuel Pump Diaphragm				741	261721	Gear-Timing (For Ball Bearing)
394	•270026	Diaphragm						Note: 261533 Gear-Timing (For Plain Bearing)

* Included in Gasket Set-Part No. 397144.

• Included in Carburetor Kit-Part No. 494624.

82200 to 82299

REF. NO.	PART NO.	DESCRIPTION	REF. NO.	PART NO.	DESCRIPTION	REF. NO.	PART NO.	DESCRIPTION
852	396397	Cleaner Assy.-Air	871	262001	Guide-Exhaust Valve	949A	281192	Guard-Rewind Starter
854	392884	Bracket Assy.-Stop Switch			Note: 63709 Guide-Intake Valve			(Used After Code Date 91080400).
864	492232	Adapter Assy.-Muffler			(Replacement Only)			Note: 280684 Guard-Rewind Starter
869	211172	Seat-Intake Valve (Standard)			See Repair Instruction Manual.			(Used Before Code Date 91080500).
		(Used After Code Date 88062900).	883	*270774	Gasket-Muffler	951	223286	Lever-Choke
		Note: 210879 Seat-Intake Valve	883A	272203	Gasket-Muffler	981	223395	Bracket-Muffler Guard
		(Used Before Code Date 88063000).	897	394970	Trigger Coil-Magnetron® Ignition	987	398970	Seal-Throttle Shaft
		Note: For Options see Repair Manual	898	92507	Lockwasher-Internal Tooth			(Used After Code Date 85081100).
870	211291	Seat-Exhaust Valve (Standard)	899	93397	Lockwasher-External Tooth	994	398067	Spark Arrester
			949	396579	Guard-Rewind Starter	1016	490817	Spacer
						1019	491075	Label Kit

* Included in Gasket Set- Part No. 397144.

Included in Carburetor Kit- Part No. 494624.