

**82200 to 82299**

# Illustrated Parts List Industrial/Commercial Model Series 82200 to 82299

TYPE NUMBERS  
0300 through 0393,  
2135 through 2152,  
4002 through 4011,  
4014 through 4021,  
4025, 4035, 4036,  
4045, 4049, 4090,  
4091, 4092, 4844,  
4845, 4846, 8200,  
8244, 8301, 8305,  
8306, 8309.

## TO FIND THE CORRECT NUMBER OF THE PART YOU NEED: FOLLOW THE INSTRUCTIONS BELOW

- A. Refer to Engine Model, Type and Code Number that is stamped on the blower housing of engine. Engine type numbers such as 0123 01 are listed only as 0123 in most instances. The two digits (01 or 02, etc.) to the right of the space may be required for more accurate parts identification in some instances. Select the Illustrated Parts List covering the correct Model Series and Type Number.
- B. Refer to the Illustrations and compare the original part with Illustration. The number next to the illustration is the Reference Number. Assemblies include all parts shown in frames. All parts shown in assembly frames having individual reference numbers can be purchased separately.
- C. After the Reference Number has been identified, refer to the Numerical text, where Reference and Primary Part Number are listed. **THE PRIMARY PART IS USED ON ALL TYPE NUMBERS EXCEPT THOSE TYPE NUMBERS UNDER "NOTE."**
- D. If a "Note" appears below the Primary Part Number, it means that this part differs from the Primary Part for certain types. If your Type number is listed under "Note," order the part referred to at the "Note."
- E. If your Engine Type Number does not appear after any part number listed under "Note," use the Primary Part Number.
- F. For Engine Type Numbers not covered by this book, check other Parts Lists having the same engine model or contact your source of supply.

PRINTED IN U.S.A.

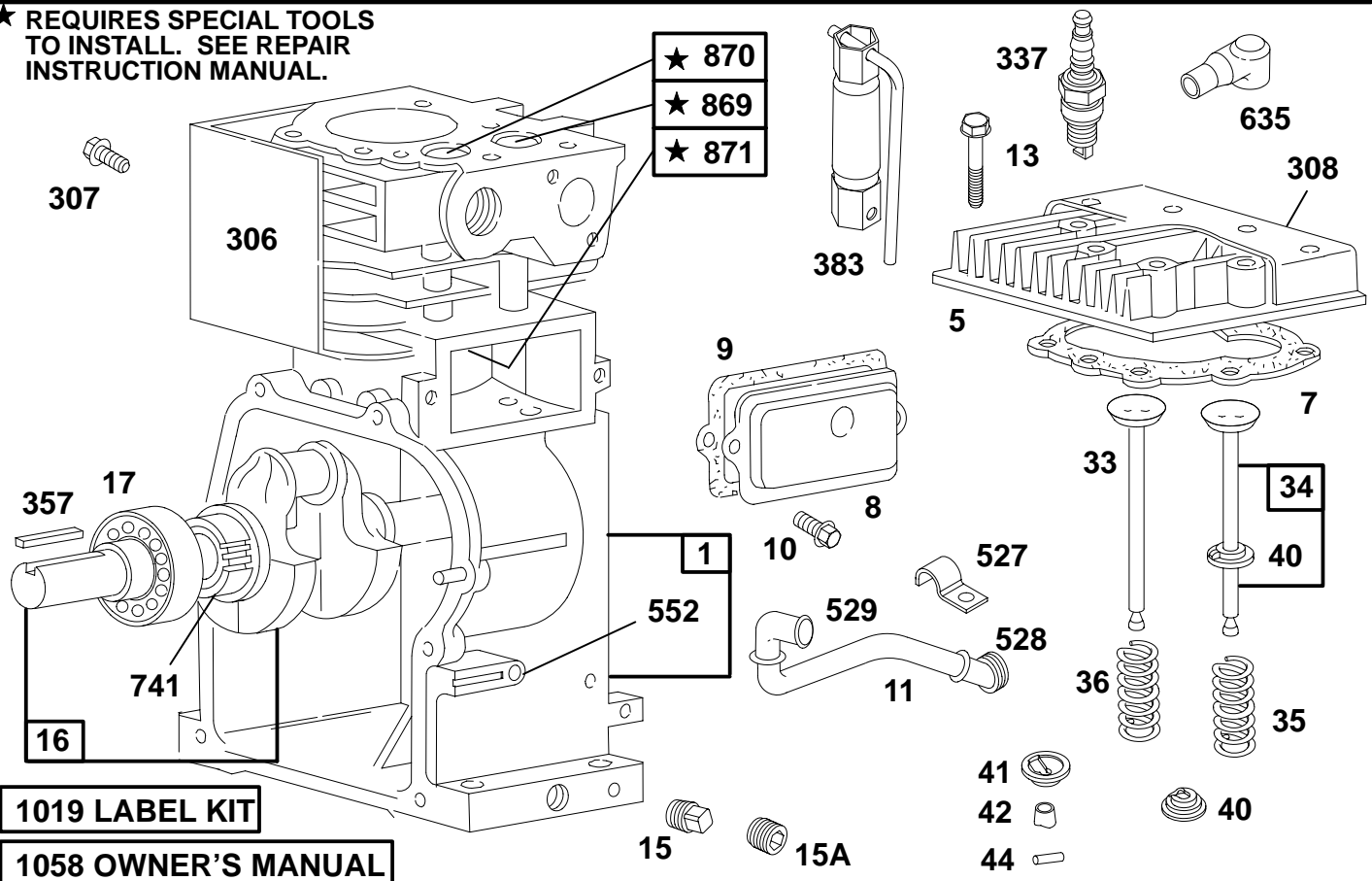
COPYRIGHT©

**BRIGGS & STRATTON**

®

# 82200 to 82299

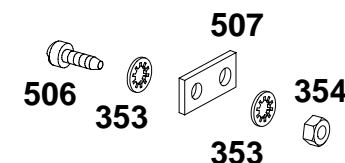
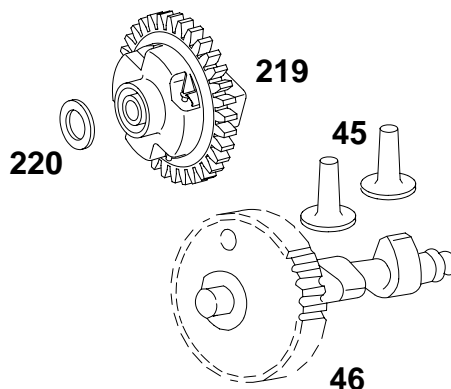
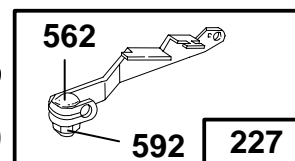
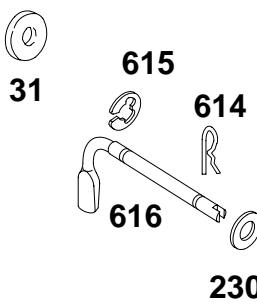
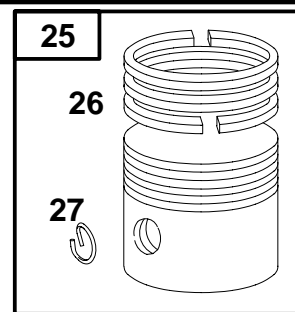
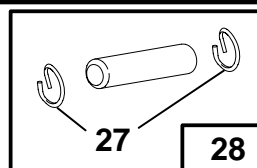
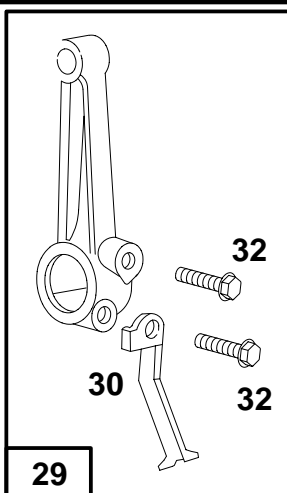
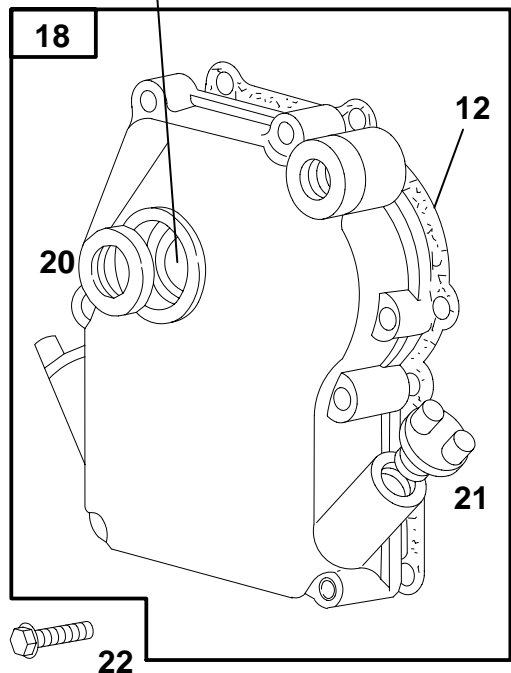
★ **REQUIRES SPECIAL TOOLS TO INSTALL. SEE REPAIR INSTRUCTION MANUAL.**



REF. NO.	PART NO.	DESCRIPTION	REF. NO.	PART NO.	DESCRIPTION	REF. NO.	PART NO.	DESCRIPTION
1	395567	Cylinder Assembly	41		Retainer-Valve	529	67838	Grommet
5	210812	Head-Cylinder	42	230127	Keeper-Valve	552	231079	Bushing-Gov. Shaft (Mech. Gov.)
7	★272167	Gasket-Cylinder Head	44	230126	Pin-Retainer	635	66538	Boot-Spark Plug
8	294178	Breather Assembly	306	224377	Shield-Cylinder	741	261533	Gear-Timing
9	★27549	Gasket-Breather			(Used After Code Date 90020500).			<b>Note</b>
11	231527	Tube-Breather			<b>220478</b> Shield-Cyl.			<b>261721</b> Gear-Timing
10	94688	Screw-Sem			(Used Before Code Date 90020600).			(For Ball Bearing)
13		Screw-Cylinder Head			<b>Note</b>			(Used Before Code Date 93071900).
15	91249	Plug-Oil Drain	307	93490	Screw-Sem	869	211172	Seat-Valve
15A	93448	Plug-Oil Drain (Hex. Socket Head)	308	223390	Cover-Cylinder Head			(Used After Code Date 88073100).
16		Crankshaft	337	492167	Plug-Spark			<b>Note</b>
		<b>See Last Pages.</b>			(1-7/8" High, 48 mm)			<b>210879</b> Seat-Valve
17		Bearing-Ball			<b>Note</b>			(Used Before Code Date 88080100).
		<b>See Last Pages.</b>			<b>298809</b> Plug-Spark	870	211291	Seat-Valve
33		Valve-Exhaust			(1-1/2" High, 37 mm)	871	262001	Bushing-Guide (Exhaust Valve)
		<b>See Last Pages.</b>			<b>802592</b> Plug-Spark			<b>Note</b>
34	296677	Valve-Intake			(1-7/8" High, 48 mm, Resistor Type)			<b>63709</b> Bushing-Guide (Intake Valve)
35	260552	Spring-Valve (Intake)	357	91539	Key-Drive Pulley	1019	491075	Label Kit
		(Exhaust)	383	89838	Wrench-Spark Plug	1058	271977	Owner's Manual
		<b>See Last Pages.</b>	527	223786	Clamp-Tube			
40	93312	Retainer-Valve	528	66578	Grommet			

- ★ Included in Gasket Set-See Ref. 358.
- Included in Carburetor Kit-See Ref. 121.

20 ★ 19



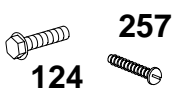
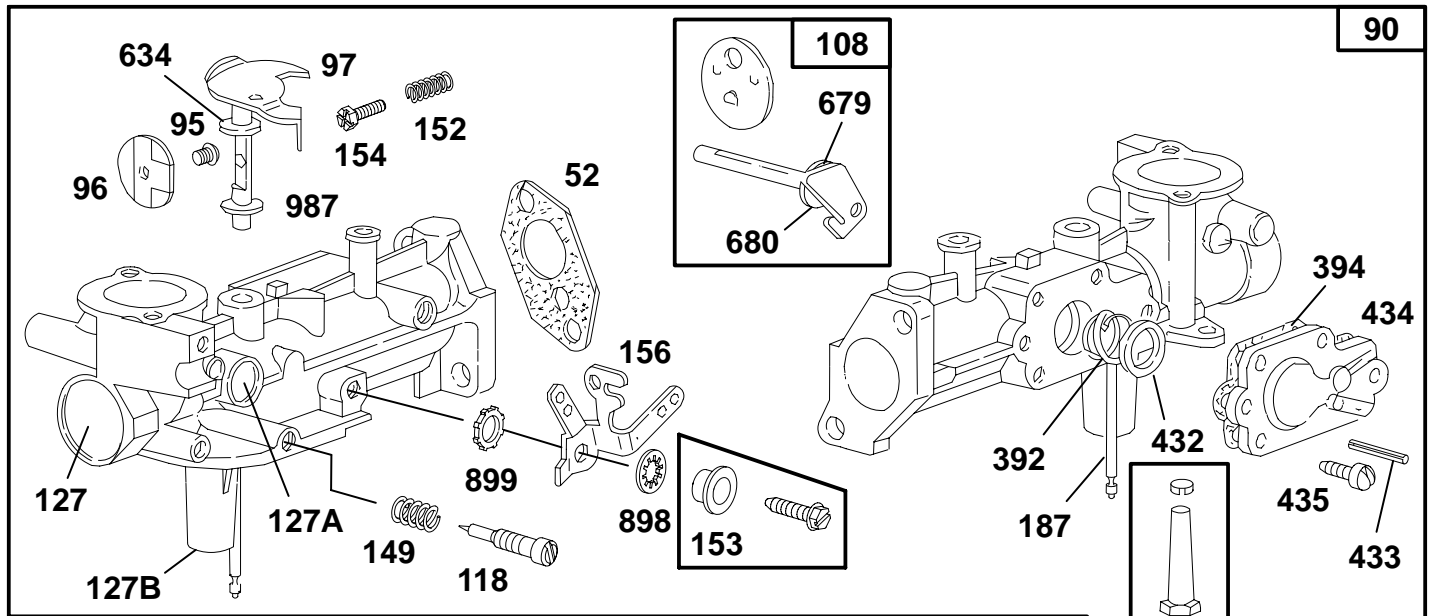
★ REQUIRES SPECIAL TOOLS TO INSTALL. SEE REPAIR INSTRUCTION MANUAL.

**358 GASKET SET**

REF. NO.	PART NO.	DESCRIPTION	REF. NO.	PART NO.	DESCRIPTION	REF. NO.	PART NO.	DESCRIPTION
12	★270833	Gasket-Crankcase (.015" Thick, Standard)	25		Piston Assembly <b>See Last Pages.</b>	32	94404	Screw-Conn. Rod
	★270895	Gasket-Crankcase (.005" Thick)	26	295657	Ring Set (Standard)	45	230173	Tappet-Valve
	★270896	Gasket-Crankcase (.009" Thick)		297201	Ring Set (Std. Chrome)	46	493747	Gear-Cam
18		Cover-Crankcase <b>See Last Pages.</b>		295658	Ring Set (.010" O.S.)	219		Gear-Governor <b>See Last Pages.</b>
19	293708	Bushing <b>Include(s):</b>		295659	Ring Set (.020" O.S.)	220	221551	Washer-Thrust
		220538 Bushing		295660	Ring Set (.030" O.S.)	227	490454	Lever Assy.-Governor
20	★495355	Seal-Oil (Used After Code Date 93071800).	27	26026	Lock-Piston Pin	230	222450	Washer-Gov. Lever
		<b>Note</b>	28	298909	Pin-Piston (Standard)	353	92791	Washer-Lock
		★393812 Seal-Oil (Used Before Code Date 93071900).		298908	Pin-Piston (.005" O.S.)	354	90576	Nut-Hex.
21	66768	Plug-Oil Fill	29	294367	Rod-Connecting (Standard)	358		Gasket Set <b>See Last Pages.</b>
22		Screw-Hex. Head <b>See Last Pages.</b>		296079	Rod-Conn. (.020 Undersize)	506	90200	Screw-Fillister Head
			30	220670	Dipper-Conn. Rod	507	66895	Insulator
			31	222282	Washer-Flat	562	93613	Bolt-Governor Lever
						592	231082	Nut-Hex.
						614	93306	Pin-Cotter
						615	93307	Retainer-E-Ring
						616	231077	Crank-Governor

★ Included in Gasket Set-See Ref. 358.  
● Included in Carburetor Kit-See Ref. 121.

# 82200 to 82299



To replace carburetor assembly, determine fuel tank capacity as shown

Fuel Tank Capacity (Quarts)	1	2	3
D (Inches)	2-5/16	4-1/4	4-7/8

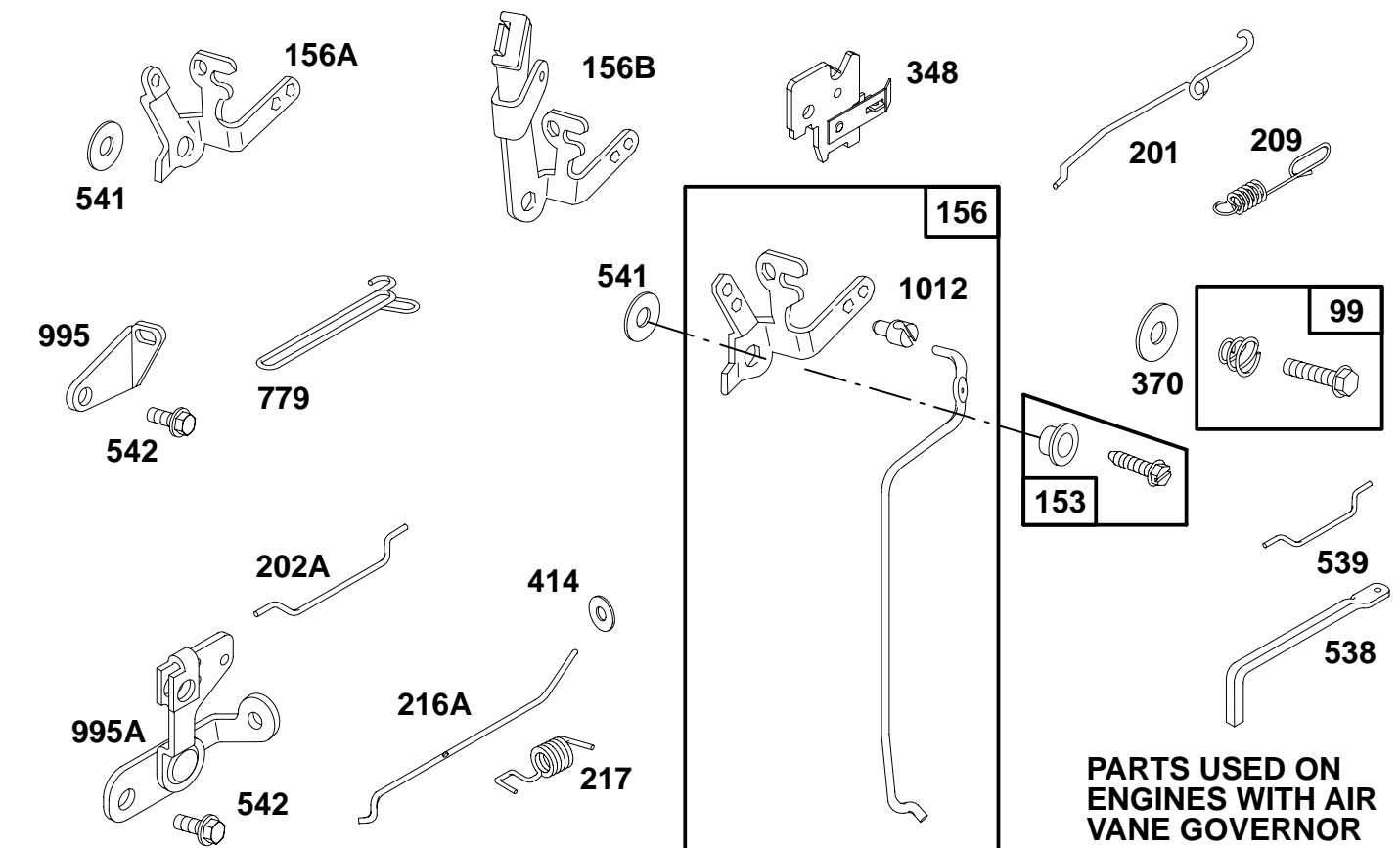
D=Fuel Pipe Length (Approx.)

**PARTS USED ON ENGINES WITH AIR VANE GOVERNOR**

**121 CARBURETOR KIT**

REF. NO.	PART NO.	DESCRIPTION	REF. NO.	PART NO.	DESCRIPTION	REF. NO.	PART NO.	DESCRIPTION
52	★271936	Gasket-Intake	127	220352	Plug-Welch			
90		Carburetor	127A	223789	Plug-Welch			
		<b>See Last Pages.</b>	127B	223472	Plug-Welch (Well)			
95	93499	Screw-Sem			(Used After Code Date 87011100).			
96	223793	Valve-Throttle			<b>Note</b>			
97	495313	Shaft-Throttle (Used After Code Date 92090600).			223790 Plug-Welch (Used Before Code Date 87011200).	432	221377	Cap-Spring
		<b>Note</b>				433	93265	Pin
		490371 Shaft-Throttle (Used Before Code Date 92090700).	149	26336	Spring-Needle Valve	434	214021	Cover-Diaphragm (Used After Code Date 92090600).
108	490495	Valve-Choke	152	260575	Spring-Adjustment			<b>Note</b>
		<b>Note</b>	153	490501	Screw-Carb. Lever			210959 Cover-Diaph. (Used Before Code Date 92090700).
		495949 Valve-Choke Used on Type No(s). 0386.	154	93527	Screw-Rd. Hd.	435	93141	Screw-Sem
118	231533	Valve-Idle Adjust	156	492905	Lever-Speed Adjuster	611		Tube-Pick-up
121	495606	Carburetor Kit (Used After Code Date 92060700).	187	231067	Line-Fuel (For 2 Quart Tank)			<b>See Last Pages.</b>
		<b>Note</b>			<b>Note</b>	634	271853	Washer-Throttle Shaft
		494624 Carburetor Kit (Used Before Code Date 92060800).			231068 Line-Fuel (For 3 Quart Tank)	679	270382	Washer-Choke Shaft (Foam)
124	93357	Screw-Hex. Head	257	93543	Screw-Fillister Hd.	680	221839	Washer (Brass)
			392	262328	Spring-Diaphragm	898	92507	Washer-Lock
			394	●272538	Diaphragm-Carb. (Used After Code Date 92090600).	899	93397	Washer-Lock
						987	398970	Seal-Throttle Shaft

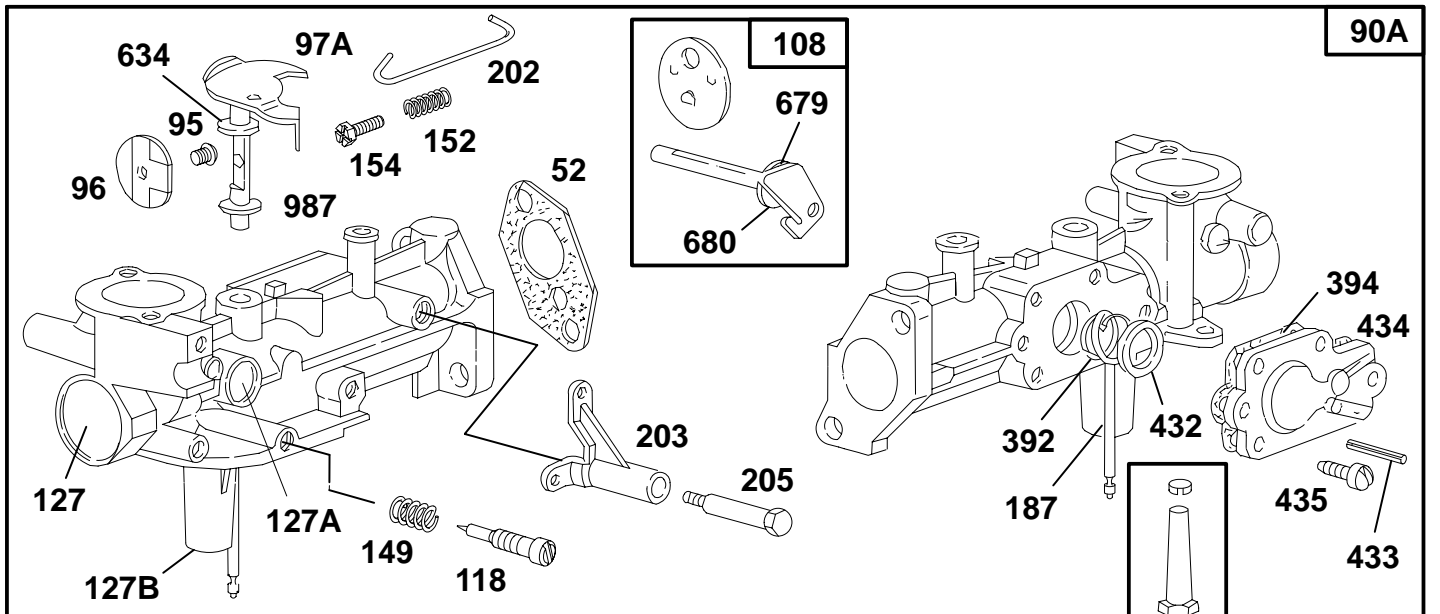
★ Included in Gasket Set-See Ref. 358.  
● Included in Carburetor Kit-See Ref. 121.



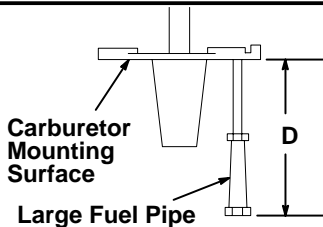
REF. NO.	PART NO.	DESCRIPTION	REF. NO.	PART NO.	DESCRIPTION	REF. NO.	PART NO.	DESCRIPTION	
99	490956	Spring & Screw			4021, 4035, 4090.	217	262281	Spring-Link	
153	490501	Screw-Carb. Lever			262391 Spring-Gov.	348	296110	Switch-Stop	
156	492905	Lever-Speed Adjuster			Used on Type No(s).	370	66432	Washer-Plain	
156A	223857	Lever-Speed Adjuster (Remote or Manual Control)			0311, 0313, 0318, 0321, 0322, 0331, 0348, 0349, 0369, 0373, 0377, 0381, 0382, 0384, 0386, 0389, 0392, 0393, 4002, 4004, 4016, 4018, 4036, 4045, 4091, 4092.	414	221198	Washer-Link	
156B	223855	Lever-Speed Adjuster (Choke-A-Matic®)			262809 Spring-Gov. Used on Type No(s). 0315, 0344, 0357.	538	260683	Rod-Control	
201	262325	Link				539	260684	Link	
202A	262470	Link				541	22398	Washer-Speed	
209	262317	Spring-Governor				542	93572	Screw-Hex. Head	
		<b>Note</b>				779	262570	Link	
		260041 Spring-Gov. Used on Type No(s). 0320, 0337, 0339, 0349, 0351, 0353, 0372, 4007, 4020,	216A	262320	Link (Choke-A-Matic®)		995	223887	Bracket-Link
						995A	497195	Bracket-Link (Used After Code Date 94083100).	
								<b>Note</b>	
								491577 Bracket-Link (Used Before Code Date 94090100).	
						1012	490507	Retainer-Link	

★ Included in Gasket Set-See Ref. 358.  
 ● Included in Carburetor Kit-See Ref. 121.

# 82200 to 82299



To replace carburetor assembly, determine fuel tank capacity as shown



Fuel Tank Capacity (Quarts)	2	3
D (Inches)	4-1/4	4-7/8

D=Fuel Pipe Length (Approx.)

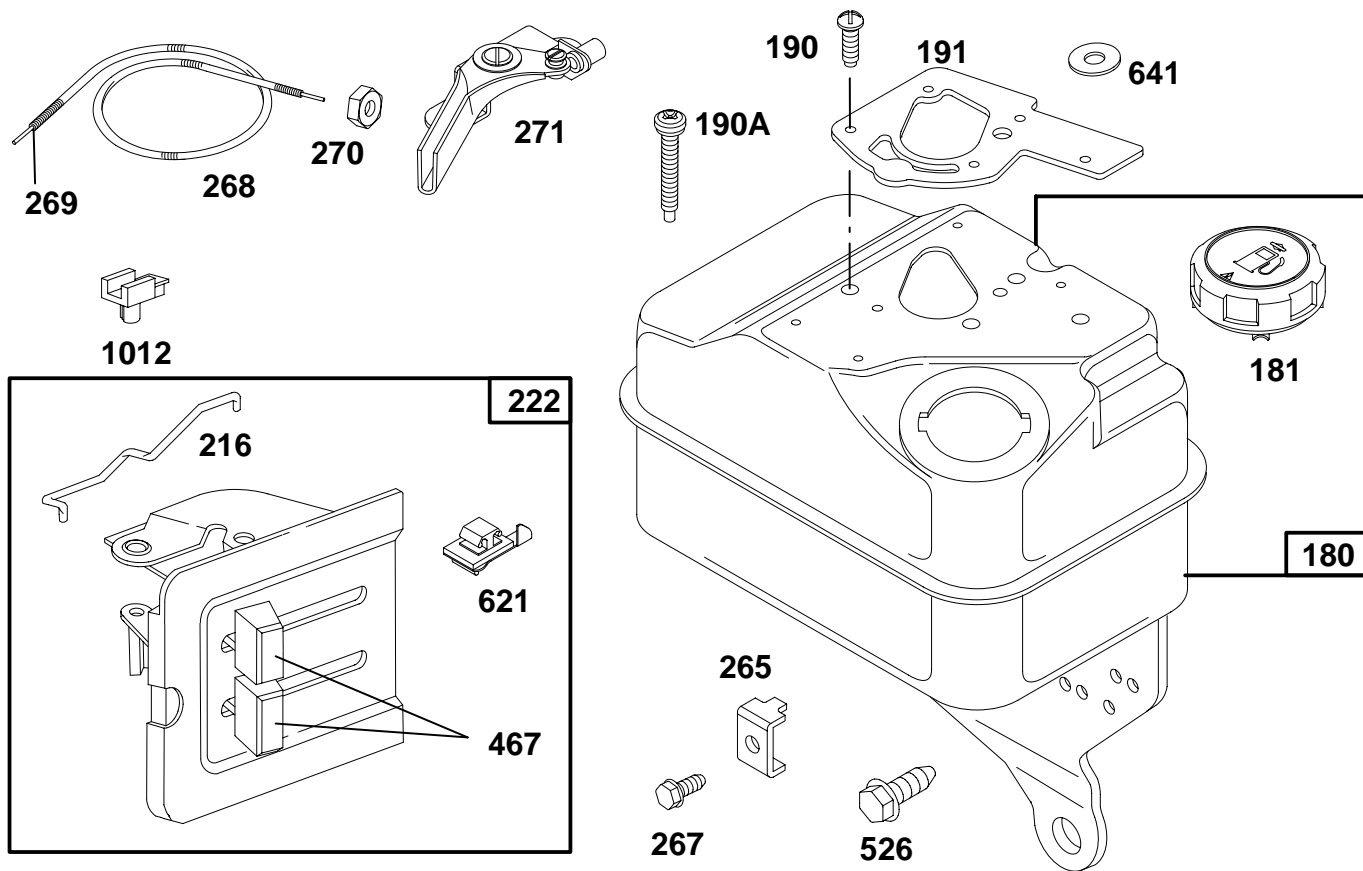
**PARTS USED ON ENGINES WITH MECHANICAL GOVERNOR.**

## 121 CARBURETOR KIT

REF. NO.	PART NO.	DESCRIPTION	REF. NO.	PART NO.	DESCRIPTION	REF. NO.	PART NO.	DESCRIPTION
52	★271936	Gasket-Intake	149	26336	Spring-Needle Valve	434	214021	Cover-Diaphragm
90A		Carburetor	152	260575	Spring-Adjustment			(Used After Code Date 92090600).
		<b>See Last Pages.</b>	154	93527	Screw-Rd. Hd.			<b>Note</b>
95	93499	Screw-Sem	187	231067	Line-Fuel			210959 Cover-Diaphragm
96	223793	Valve-Throttle			(For 2 Quart Tank)			(Used Before Code Date 92090700).
97A	490048	Shaft-Throttle			<b>Note</b>			
108	490495	Valve-Choke			231068 Line-Fuel			
118	231533	Valve-Idle Adjust			(For 3 Quart Tank)			
121	495606	Carburetor Kit	202	262270	Link	435	93141	Screw-Sem
		(Used After Code Date 92060700).	203	280720	Crank-Bell	611		Tube-Pick-Up
		<b>Note</b>	205	231520	Screw-Shoulder			<b>See Last Pages.</b>
		494624 Carburetor Kit	392	262328	Spring-Diaphragm	634	271853	Washer (Foam)
		(Used Before Code Date 92060800).	394	●272538	Diaphragm-Carb.	679	270382	Washer (Foam)
					(Used After Code Date 92090600).	680	221839	Washer (Brass)
124	93357	Screw-Hex. Hd.			<b>Note</b>	987	398970	Seal-Throttle Shaft
127	220352	Plug-Welch			●270026 Diaphragm-Carburetor			
127A	223789	Plug-Welch			(Used Before Code Date 92090700).			
127B	223472	Plug-Welch	432	221377	Cap-Spring			
		(Used After Code Date 87011100).	433	93265	Pin			
		<b>Note</b>						
		223790 Plug-Welch						
		(Used Before Code Date 87011200).						

★ Included in Gasket Set-See Ref. 358.

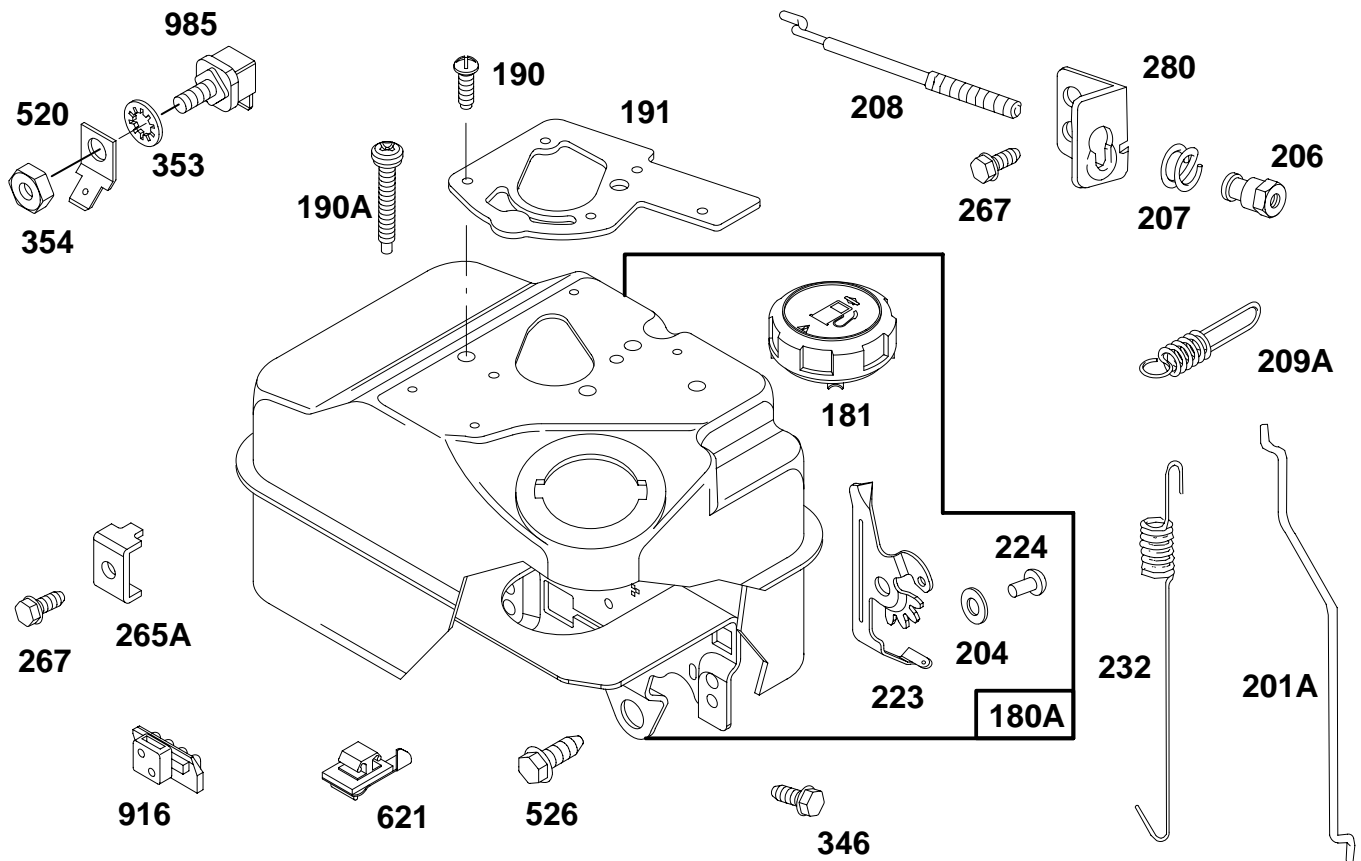
● Included in Carburetor Kit-See Ref. 121.



REF. NO.	PART NO.	DESCRIPTION	REF. NO.	PART NO.	DESCRIPTION	REF. NO.	PART NO.	DESCRIPTION
180		Tank-Fuel <b>See Last Pages.</b>			<b>Note</b> 262274 Link (Used Before Code Date 87030200).			<b>Note</b> If Longer Wire is Needed, Specify Length in Inches; If Shorter Wire is Needed, Order and Cut to Required Length.
181	494559	Cap-Fuel Tank	222	490648	Bracket-Control	270	63426	Locknut-Casing
190	94094	Screw-Sem	265	221370	Clamp-Casing	271	290568	Lever-Control
190A	94677	Screw-Sem	267	93496	Screw-Sem	467	280715	Knob
191	★272489	Gasket-Tank Mtg. (Used After Code Date 92060700).	268	66986	Casing-Wire (48" Long)	526		Screw-Sem <b>See Last Pages.</b>
		<b>Note</b> ★272410 Gasket-Tank Mtg. (Used Before Code Date 92060800).			<b>Note</b> If Longer Casing is Needed, Specify Length in Inches; If a Shorter Casing is Needed, Order and Cut to Required Length.	621	396847	Switch-Stop
216	262359	Link (Used After Code Date 87030100).	269	26099	Wire-Control (54" Long)	641	220680	Washer (Used on Engines Without Ref. 222)
						1012	490507	Retainer-Link

★ Included in Gasket Set-See Ref. 358.  
● Included in Carburetor Kit-See Ref. 121.

# 82200 to 82299

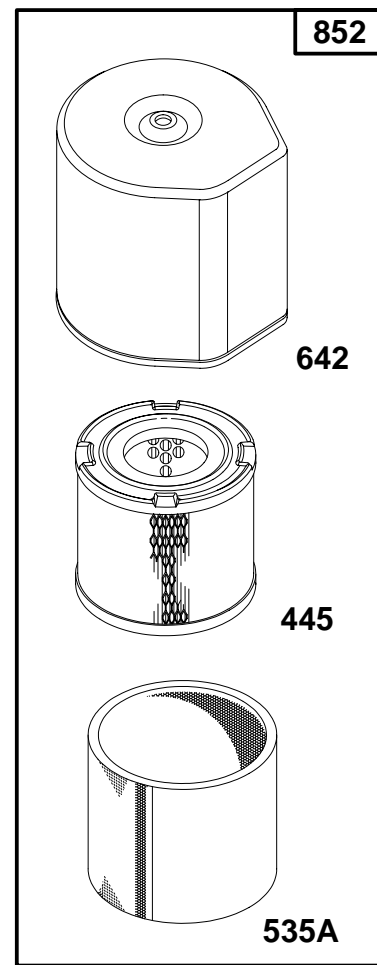
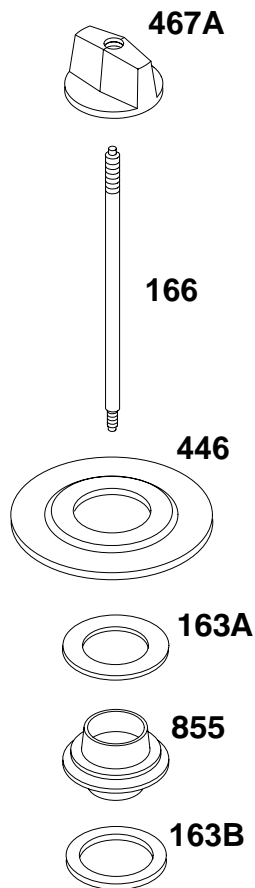
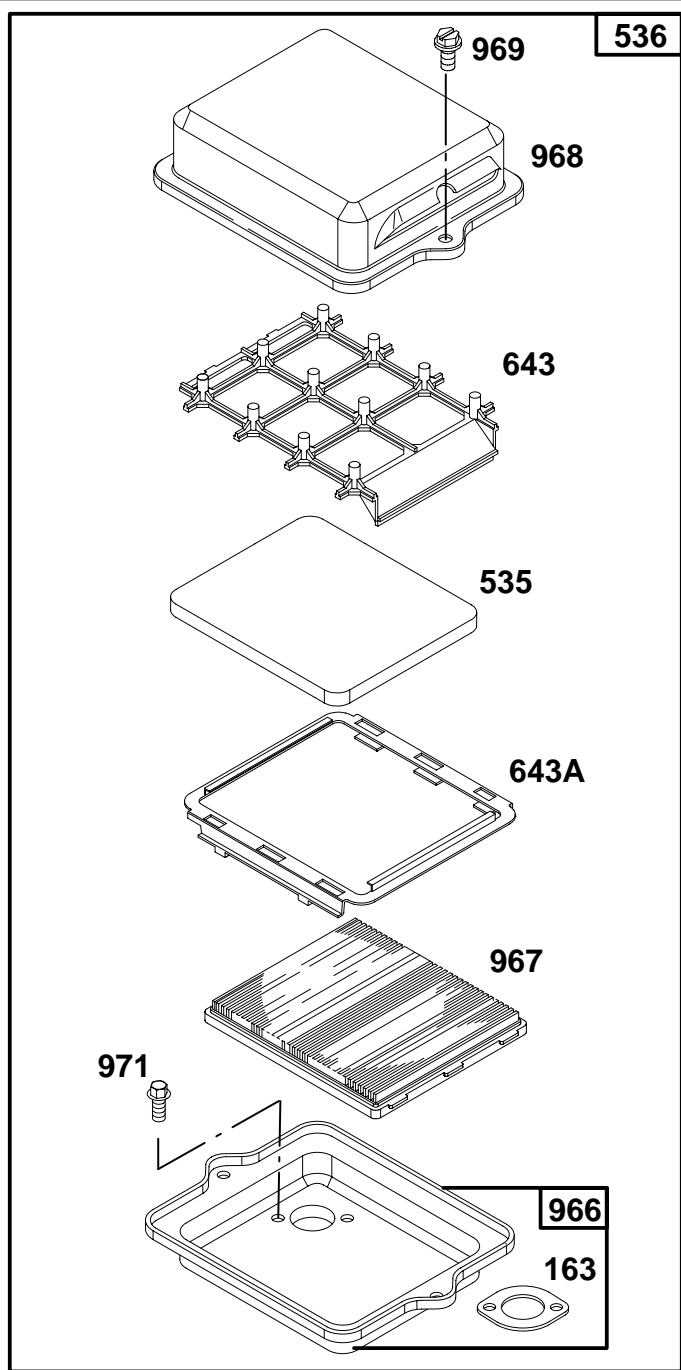


REF. NO.	PART NO.	DESCRIPTION	REF. NO.	PART NO.	DESCRIPTION	REF. NO.	PART NO.	DESCRIPTION
<b>180A</b>	<b>495376</b>	Tank-Fuel (2 Quart) (Mech. Gov.) <b>Note</b> <b>495388</b> Tank-Fuel (3 Quart) (Used After Code Date 92060700). <b>490527</b> Tank-Fuel (3 Quart) (Used Before Code Date 92060800).	<b>204</b>	<b>222962</b>	Bushing-Lever (Mech. Gov.)	<b>232</b>	<b>262310</b>	Spring-Link
<b>181</b>	<b>494559</b>	Cap-Fuel Tank	<b>206</b>	<b>231266</b>	Nut-Control Rod	<b>265A</b>	<b>221535</b>	Clamp-Casing
<b>190</b>	<b>94094</b>	Screw-Sem	<b>207</b>	<b>26855</b>	Spring-Control Rod	<b>267</b>	<b>93496</b>	Screw-Sem
<b>190A</b>	<b>94677</b>	Screw-Sem	<b>208</b>	<b>262323</b>	Rod-Control	<b>280</b>	<b>223798</b>	Bracket-Rod <b>Note</b> <b>223235</b> Bracket-Rod Used on Type No(s). 0382, 4003, 4004, 4008, 4010, 4019, 4092, 8301, 8306, 8309.
<b>191</b>	<b>★●272489</b>	Gasket-Tank Mtg. (Used After Code Date 92060700). <b>Note</b> <b>★●272410</b> Gasket- Tank Mtg. (Used Before Code Date 92060800).	<b>209A</b>	<b>262289</b>	Spring-Governor (Mech. Gov.) Used on Type No(s). 4846, 8301, 8306. <b>Note</b> <b>262285</b> Spring-Gov. Used on Type No(s). 8244, 8309. <b>262291</b> Spring-Gov. Used on Type No(s). 4844, 4845, 8305.	<b>346</b>	<b>93705</b>	Screw-Sem
			<b>201A</b>	<b>262278</b>	Link (Mech. Gov.)	<b>353</b>	<b>92791</b>	Washer-Lock
			<b>223</b>	<b>223097</b>	Lever-Gov. Control (Mech. Gov.)	<b>354</b>	<b>90576</b>	Nut-Hex.
			<b>224</b>	<b>93491</b>	Rivet (Mech. Gov.)	<b>520</b>	<b>93722</b>	Terminal
						<b>526</b>		Screw-Sem <b>See Last Pages.</b>
						<b>621</b>	<b>396847</b>	Switch-Stop
						<b>916</b>	<b>280321</b>	Rack-Governor
						<b>985</b>	<b>398525</b>	Insulator

★ Included in Gasket Set-See Ref. 358.

● Included in Carburetor Kit-See Ref. 121.

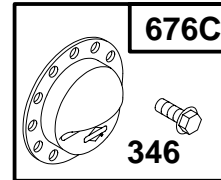
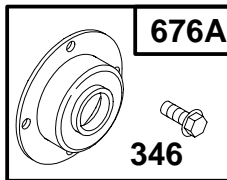
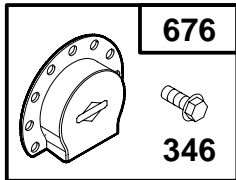
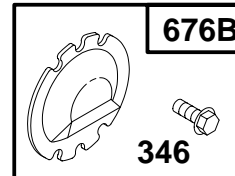
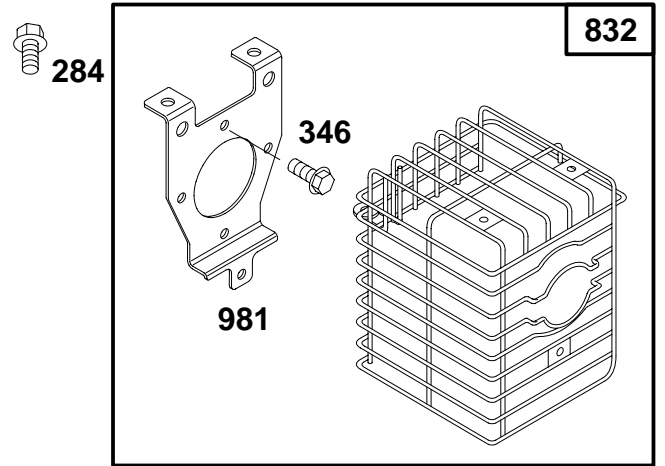
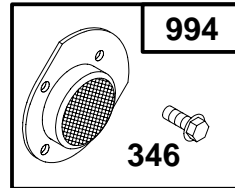
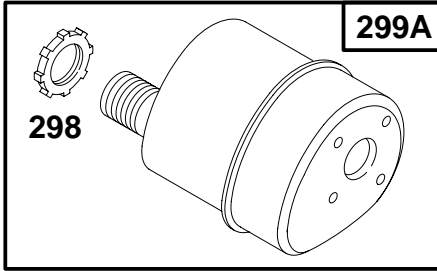
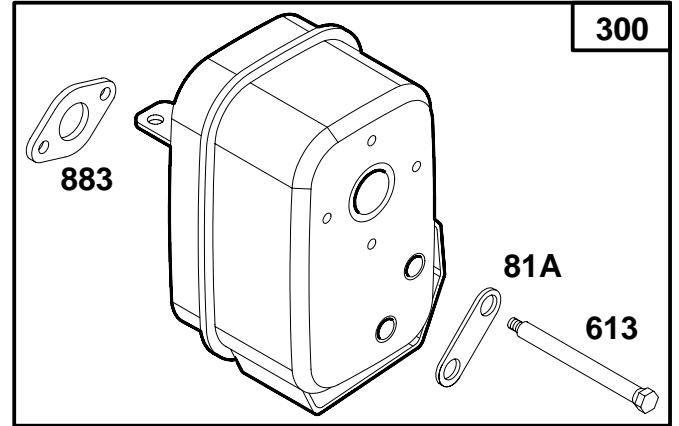
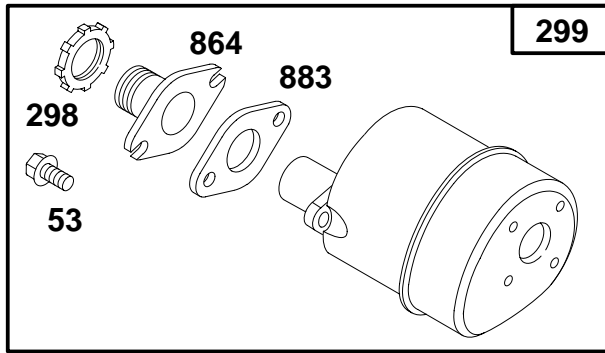




REF. NO.	PART NO.	DESCRIPTION	REF. NO.	PART NO.	DESCRIPTION	REF. NO.	PART NO.	DESCRIPTION
163	★271935	Gasket–Air Cleaner	535	491435	Filter–Air	855	281189	Adapter–Air
163A	271139	Gasket–Air Cleaner	535A	271466	Filter–Air	966	492797	Base–Air Cleaner
163B	272631	Gasket–Air Cleaner	536	494279	Cleaner–Air	967	491588	Filter–Air
166	231819	Stud–Air Cleaner	642	493822	Cover–Air Cleaner	968	223765	Cover–Air Cleaner
445	396424	Filter–Air	643	280737	Retainer–Air Filter	969	490073	Screw–Cover Mtg. (Includes Grommet)
446	222844	Base–Air Cleaner	643A	280726	Retainer–Air Filter	971	94018	Screw–Sem
467A	493903	Knob	852	396397	Cleaner–Air			

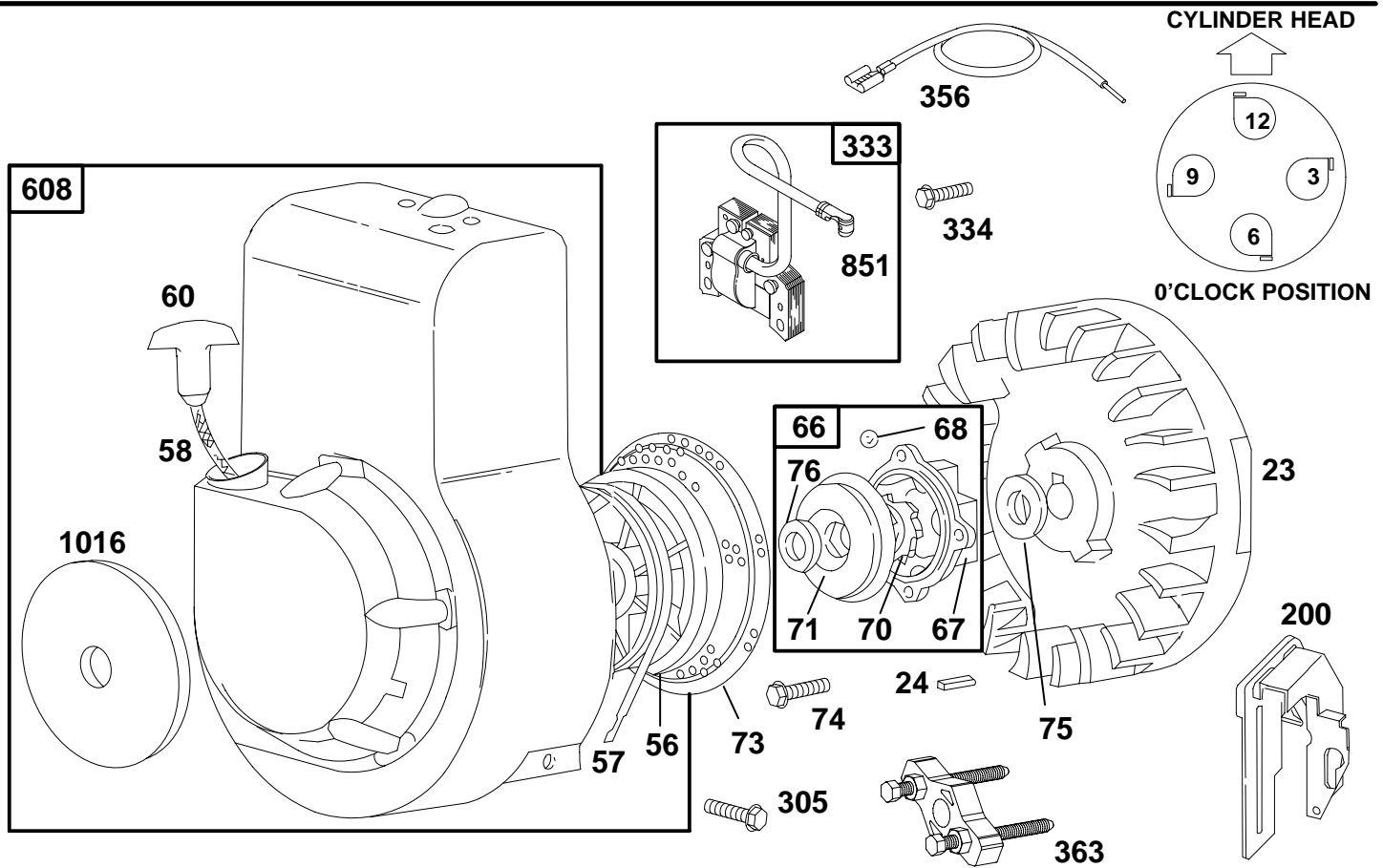
★ Included in Gasket Set–See Ref. 358.  
● Included in Carburetor Kit–See Ref. 121.

# 82200 to 82299



REF. NO.	PART NO.	DESCRIPTION	REF. NO.	PART NO.	DESCRIPTION	REF. NO.	PART NO.	DESCRIPTION
53	94523	Screw-Hex.Head	300	395959	Muffler-Exhaust	676C	396548	Deflector-Muffler
81A	223256	Lock-Screw	346	93705	Screw-Sem	832	490571	Guard-Muffler
284	93801	Screw-Hex.Head	613	94042	Screw-Muffler	864	492232	Adapter-Muffler
298	220859	Locknut-Muffler	676	393760	Deflector-Muffler	883	★272252	Gasket-Exhaust
299	493288	Muffler-Exhaust	676A	397931	Deflector-Muffler	981	223395	Bracket-Muffler
299A	392811	Muffler-Exhaust (Lo-Tone)	676B	393756	Deflector-Muffler	994	398067	Arrester-Spark

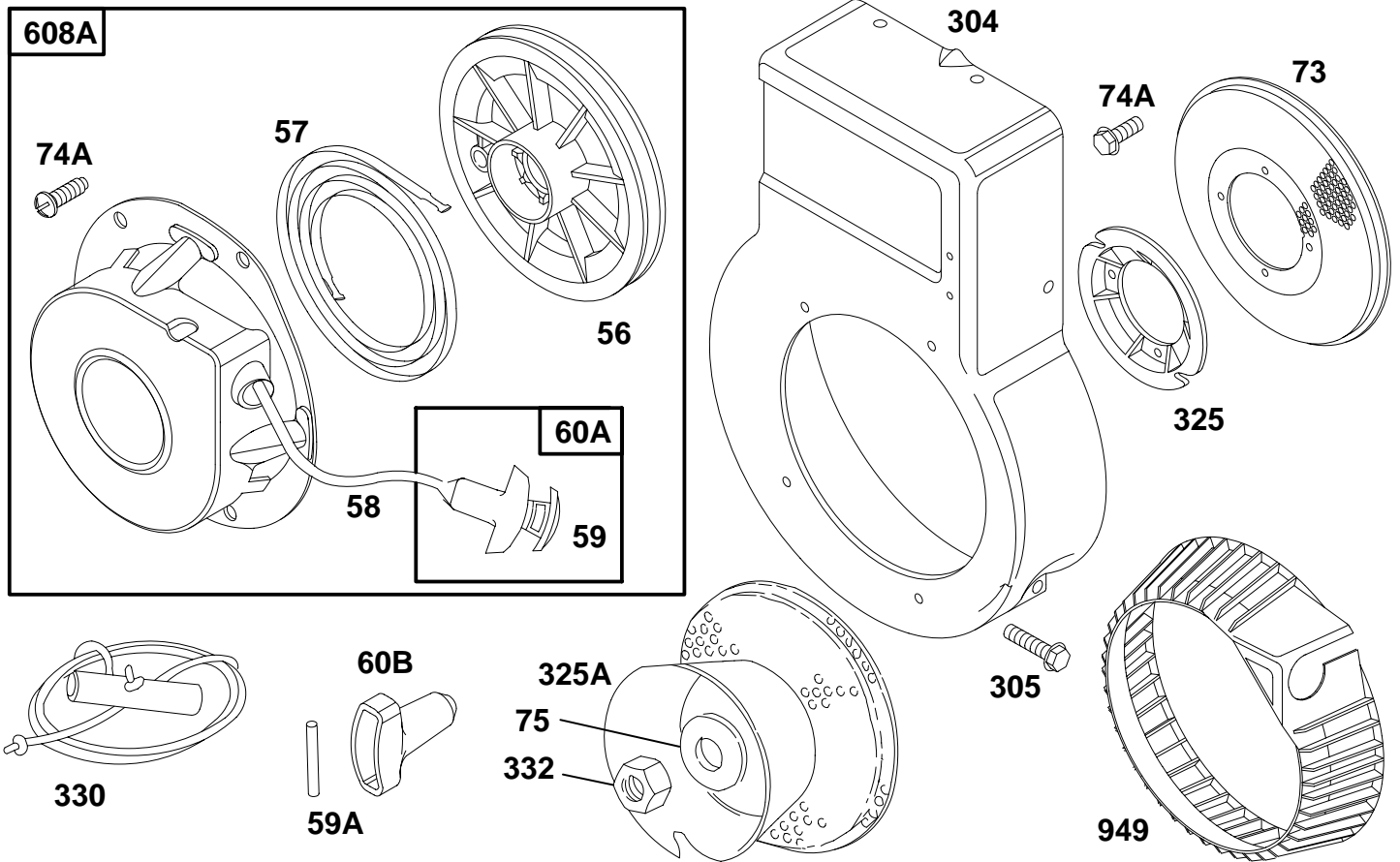
- ★ Included in Gasket Set-See Ref. 358.
- Included in Carburetor Kit-See Ref. 121.



REF. NO.	PART NO.	DESCRIPTION	REF. NO.	PART NO.	DESCRIPTION	REF. NO.	PART NO.	DESCRIPTION
23	296884	Flywheel	73	221661	Screen—Rotating			———— <b>Note</b> ———— <b>491728</b> Starter—Rewind (12 o'clock) Used on Type No(s). 0311, 0313, 0318, 0319, 0322, 0323, 0335, 0336, 0337, 0344, 0348, 0349, 0353, 0372, 0374, 0377, 0378, 0382, 0386, 0392, 0393, 2135, 2136, 2140, 2149, 2150, 2152, 4004, 4010, 4036, 4049, 4092, 4844, 4845, 8244, 8305.
		<b>395653</b> Flywheel Used on Type No(s). 0313, 0349.	74	93490	Screw—Sem			
24	222698	Key—Flywheel			<b>94062</b> Screw—Hex. Hd. Used on Type No(s). 0320, 0333, 0357, 0358, 0360, 0373, 4006, 4007, 4008, 4011, 4014, 4016, 4020, 4021, 4025, 4846.			
56	280439	Pulley—Starter	75	224061	Washer—Spring			
57	490179	Spring—Rewind Starter	76	68238	Washer—Sealing			
58	66734	Rope—Starter (48—5/8" Long)	200	490529	Blade—Governor			
		<b>280406</b> Rope—Starter (82" Long)	305	93158	Screw—Sem	851	221798	Terminal—Cable
		<b>280399</b> Rope—Starter (99" Long)	333	397316	Armature—Magneto	1016	490817	Spacer
60	393152	Grip—Starter Rope	334	93381	Screw—Sem			
66	399671	Clutch—Starter	356	490346	Wire—Stop			
67	394897	Housing—Clutch	363	19069	Flywheel Puller			
68	63770	Ball—Clutch	608	491046	Starter—Rewind (10 o'clock)			
70	298799	Ratchet—Clutch						
71	394506	Washer—Retainer						

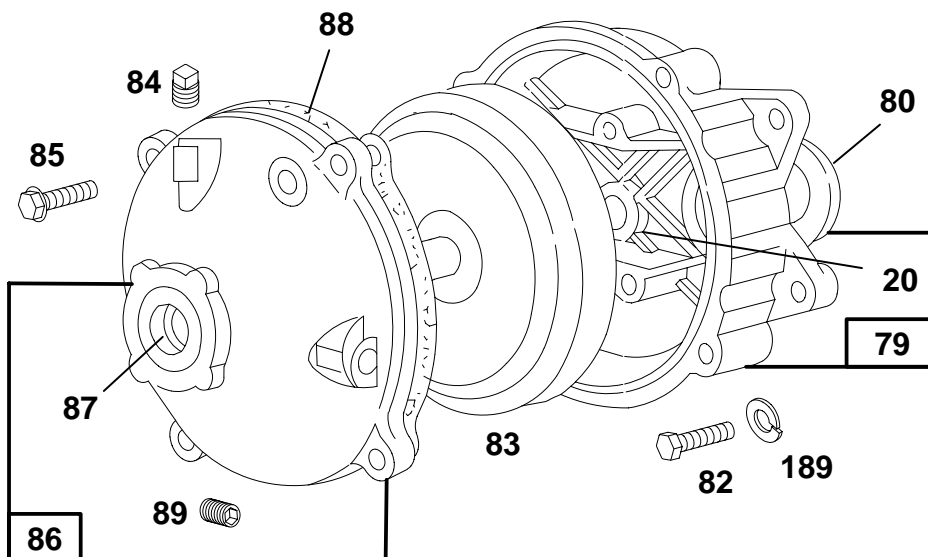
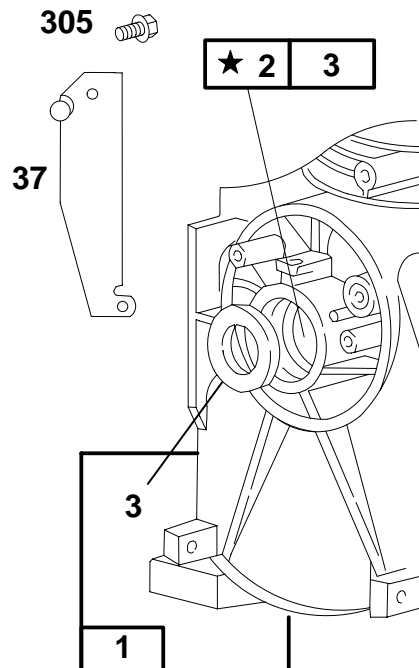
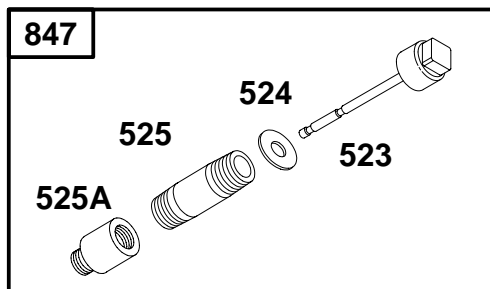
★ Included in Gasket Set—See Ref. 358.  
● Included in Carburetor Kit—See Ref. 121.

# 82200 to 82299



REF. NO.	PART NO.	DESCRIPTION	REF. NO.	PART NO.	DESCRIPTION	REF. NO.	PART NO.	DESCRIPTION
56	280439	Pulley-Starter	74A	94418	Screw-Starter Mtg. (Used After Code Date 88020700).	325	280810	Pulley-Starter
57	490179	Spring-Rewind Starter			<b>Note</b>	325A	298731	Pulley-Starter (Special, 5/8" Dia. Hole)
58	66734	Rope-Starter (48-5/8" Long)			93067	69932	69932	Rope-Starter
		<b>Note</b>			Mounting (Used Before Code Date 88020800).	330	92284	Nut-Flywheel
		280406			Washer-Spring	608A	494068	Starter-Rewind (10 o'clock)
		82" Long)	75	224061	Housing-Blower			
		280399	304	491117	<b>Note</b>	949	281192	Guard-Finger (Used After Code Date 91080400).
		99" Long)			490443			<b>Note</b>
59	490653	Insert-Starter Grip			Housing-Blower			280684
59A	230228	Pin-Starter Grip			Used on Type No(s). 0325, 0328, 0350.			Guard-Finger (Used Before Code Date 91080500).
60A	490652	Grip-Starter Rope	305	93158	Screw-Sem			
60B	66728	Grip-Starter Rope						
73	221661	Screen-Rotating						

- ★ Included in Gasket Set—See Ref. 358.
- Included in Carburetor Kit—See Ref. 121.



★ **REQUIRES SPECIAL TOOLS TO INSTALL. SEE REPAIR INSTRUCTION MANUAL.**

REF. NO.	PART NO.	DESCRIPTION	REF. NO.	PART NO.	DESCRIPTION	REF. NO.	PART NO.	DESCRIPTION
1	395567	Cylinder Assembly	82A	92279	Screw-Hex. Hd. (1-1/2" Long)	189	90366	Washer-Lock
2	399269	Bushing	83	211293	Shaft Assembly-Drive	305	93158	Screw-Sem
3	★299819	Seal-Oil	84	92617	Plug-Breather	523	297357	Cap-Oil Fill
20	393812	Seal-Oil	85	92747	Screw-Gear Cover	524	65304	Gasket-Cap
37	220971	Guard-Flywheel	86	291730	Cover Assy.-Gear	525	91258	Nipple-Pipe
79	290779	Case Assy.-Gear	87	★19011	Seal-Oil	525A	394884	Adapter-Oil Fill
80	★27667	Gasket-Gear Case	88	★27313	Gasket-Cover	847	493955	Tube Assy.-Oil
81	220234	Lock-Screw	89	93448	Plug-Oil Drain (7/8" Long)			
82	91541	Screw-Hex. Hd. (7/8" Long)						

★ Included in Gasket Set-See Ref. 358.  
● Included in Carburetor Kit-See Ref. 121.

# 82200 to 82299

REF. NO.	PART NO.	DESCRIPTION	REF. NO.	PART NO.	DESCRIPTION	REF. NO.	PART NO.	DESCRIPTION
13	94547	Screw—Cylinder Head <b>Note</b> 94547 Screw—Cylinder Head 93583 Stud—Cylinder Head 22963 Washer Used on Type No(s). 0311, 0313, 0318, 0322, 0323, 0331, 0355, 0362, 0371, 0377, 0381, 0382, 0389, 4002, 4003, 4004, 4005, 4007, 4008, 4010, 4011, 4015, 4016, 4018, 4019, 4035, 4036, 4045, 4049, 4090, 4091, 4092, 4844, 4845, 4846, 8309.			493767 Crankshaft (Used After Code Date 93071800). Used on Type No(s). 0392, 0393. 493849 Crankshaft (Used Before Code Date 93071900). Used on Type No(s). 0312, 0315, 0318, 0322, 0324, 0354, 0357, 0377, 0386, 0393, 2140, 4002, 4003, 4016, 4018, 4019.	22	94607	Screw—Hex. Head <b>Note</b> 92747 Screw—Gear Cover Used in Two Top Holes to Mount Cover Used on Model Series 82252. 93656 Stud—Crksc. Used in No. 1 Position. 90832 Washer—Lock Used on Type No(s). 0389, 4002, 4003, 4007, 4008, 4015, 4035, 4036, 4045, 4090, 4091, 4846.
16	495211	Crankshaft (Used After Code Date 93071800). 493633 Crankshaft (Used Before Code Date 93071900). <b>Note</b> To Replace Crankshaft Gear Pin— Order Part No. 230978. 397252 Crankshaft Used on Type No(s). 0325, 0346, 0361, 0385, 4006, 4014, 4021. 399006 Crankshaft (Used After Code Date 93071800). 494033 Crankshaft (Used Before Code Date 93071900). Used on Type No(s). 4844, 4845, 8244, 8305. 493599 Crankshaft Used on Type No(s). 0302, 0316, 0323, 0336, 0337, 0340, 0341, 0342, 0360, 0367, 0374, 0382, 2149, 2152, 4005, 4010, 4011, 4049, 4092.			495210 Crankshaft (Used After Code Date 93071800). 492095 Crankshaft (Used Before Code Date 93071900). Used on Type No(s). 0311, 0313, 0319, 0321, 0344, 0348, 0349, 0350, 0364, 0368, 0369, 0373, 0384, 0385, 2136, 4004, 4008, 4025, 4036, 4091.	25	295455	Piston Assembly (Standard) 295456 Piston Assy. (.010" O.S.) 295457 Piston Assy. (.020" O.S.) 295458 Piston Assy. (.030" O.S.)
			17	495484	Bearing—Ball (Used After Code Date 93071800). <b>Note</b> 99158 Bearing—Ball (Used Before Code Date 93071900).	33	262986	Valve—Exhaust (Used After Code Date 93120700). 262580 Valve—Exhaust (Used Before Code Date 93120800 and After Code Date 90051300). 260443 Valve—Exhaust (Used Before Code Date 90051400). <b>Note</b> 296676 Valve—Exhaust <b>Include(s):</b> 93312 Retainer Used on Type No(s). 0314, 0315, 0316, 0320, 0324, 0325, 0326, 0327, 0328, 0333, 0335, 0336, 0342, 0344, 0347, 0350, 0351, 0354, 0357, 0358, 0360, 0361, 0364, 0369, 0370, 0371, 0372, 0373, 0384, 0385, 0390, 0391, 2150, 2152, 4007, 4008, 4011, 4014, 4016, 4020, 4021, 4025, 4845, 4846, 8309.
			18	496674	Cover—Crankcase (Used After Code Date 93071800). 395259 Cover— Crankcase (Used Before Code Date 93071900). Used on Model Series 82232. <b>Note</b> 496679 Cover— Crankcase (Used After Code Date 93071800). 394909 Cover— Crankcase (Used Before Code Date 93071900). Used on Model Series 82252.			

★ Included in Gasket Set—See Ref. 358.

● Included in Carburetor Kit—See Ref. 121.

# 82200 to 82299

REF. NO.	PART NO.	DESCRIPTION	REF. NO.	PART NO.	DESCRIPTION	REF. NO.	PART NO.	DESCRIPTION
36	260552	Spring-Valve (Exhaust) (Used After Code Date 93120700). <b>262750</b> Spring-Valve (Exhaust) (Used Before Code Date 93120800 and After Code Date 90051300). <b>26826</b> Spring-Valve (Exhaust) (Used Before Code Date 90051400). ————— <b>Note</b> ————— <b>26478</b> Spring-Valve (Exhaust) Used on Type No(s). 2150, 2152, 4011.			————— <b>Note</b> ————— <b>495460</b> Carburetor (For 3 Quart Tank) <b>495461</b> Carburetor (For 1 Quart Tank) <b>496434</b> Carburetor (For 2 Quart Tank) Used on Type No(s). 0386, 0393.			0373, 0377, 0384, 0385, 4002. <b>495368</b> Tank-Fuel (1 Quart) Used on Type No(s). 0315, 0321, 0323, 0324, 0327, 0357, 4016.
			90A	495458	Carburetor (For 2 Quart Tank) ————— <b>Note</b> ————— <b>495457</b> Carburetor (For 3 Quart Tank) (Used After Code Date 92090600). <b>492643</b> Carburetor (Used Before Code Date 92090700).	219	494845	Gear-Governor (Mech. Gov.) (Used After Code Date 91060900). ————— <b>Note</b> ————— <b>391737</b> Gear-Gov. (Used Before Code Date 91061000).
41	491442	Retainer-Valve (Used Before Code Date 93120800 and After Code Date 90051300). ————— <b>Note</b> ————— <b>292259</b> Retainer-Valve (Used Before Code Date 90051400).	180	495377	Tank-Fuel (2 Qt.) (Used After Code Date 92060700). <b>490502</b> Tank-Fuel (2 Qt.) (Used Before Code Date 92060800). ————— <b>Note</b> ————— <b>495391</b> Tank- Fuel (3 Quart) Used on Type No(s). 0301, 0302, 0311, 0313, 0314, 0317, 0318, 0319, 0324, 0326, 0337, 0341, 0342, 0348, 0349, 0358, 0360,0369,	358	495602	Gasket Set (Used After Code Date 92060700). ————— <b>Note</b> ————— <b>397144</b> Gasket Set (Used Before Code Date 92060800).
90	495459	Carburetor (Air Vane) (For 2 Quart Tank) (Used After Code Date 92090600). <b>492645</b> Carburetor (Used Before Code Date 92090700).				526	93343	Screw-Sem ————— <b>Note</b> ————— <b>93686</b> Screw-Self Tap. <b>Use(s):</b> <b>66432</b> Washer Used on Type No(s). 0315, 0321, 0327, 0357, 4016.
						611	391813	Tube-Pick-Up ————— <b>Note</b> ————— <b>297219</b> Tube-Pick-Up Used on Type No(s). 0315, 0321, 4016.

★ Included in Gasket Set-See Ref. 358.  
● Included in Carburetor Kit-See Ref. 121.