

# Illustrated Parts List

## Model Series

### 82300 to 82399

#### TYPE NUMBERS

0111, 0126,  
0130 through 0165,  
0526 through 0532,  
0537, 0538, 0548,  
0549, 2528, 2535,  
2537, 2538,  
2547 through 2549,  
4001 through 4008,  
4035, 4037, 4049.

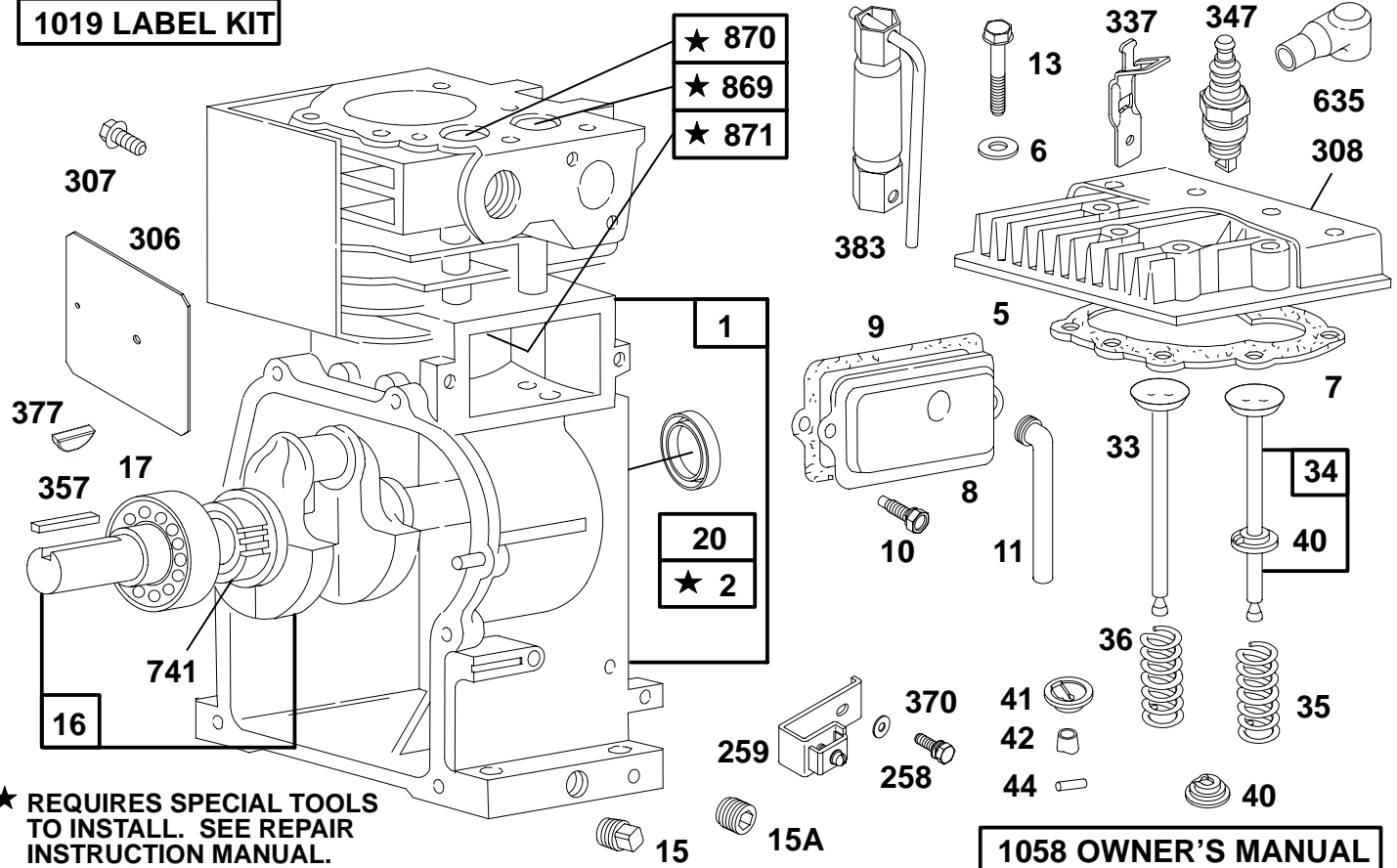
#### TO FIND

#### THE CORRECT NUMBER OF THE PART YOU NEED: FOLLOW THE INSTRUCTIONS BELOW

- A. Refer to Engine Model, Type and Code Number that is stamped on the blower housing of engine. Engine type numbers such as 0123 01 are listed only as 0123 in most instances. The two digits (01 or 02, etc.) to the right of the space may be required for more accurate parts identification in some instances. Select the Illustrated Parts List covering the correct Model Series and Type Number.
- B. Refer to the Illustrations and compare the original part with Illustration. The number next to the illustration is the Reference Number. Assemblies include all parts shown in frames. All parts shown in assembly frames having individual reference numbers can be purchased separately.
- C. After the Reference Number has been identified, refer to the Numerical text, where Reference and Primary Part Number are listed. **THE PRIMARY PART IS USED ON ALL TYPE NUMBERS EXCEPT THOSE TYPE NUMBERS UNDER "NOTE."**
- D. If a "Note" appears below the Primary Part Number, it means that this part differs from the Primary Part for certain types. If your Type number is listed under "Note," order the part referred to at the "Note."
- E. If your Engine Type Number does not appear after any part number listed under "Note," use the Primary Part Number.
- F. For Engine Type Numbers not covered by this book, check other Parts Lists having the same engine model or contact your source of supply.

# 82300 to 82399

## 1019 LABEL KIT

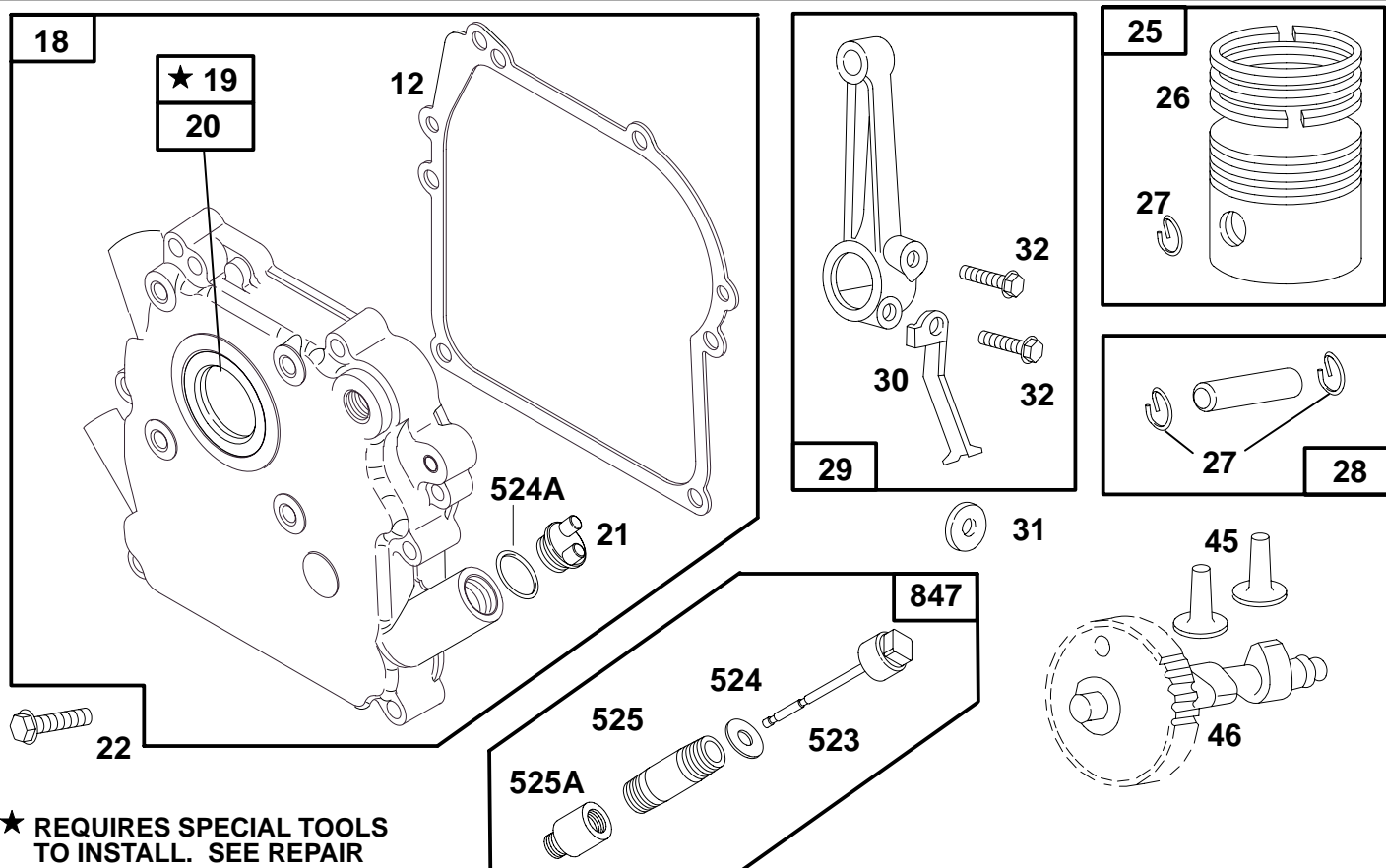


★ **REQUIRES SPECIAL TOOLS TO INSTALL. SEE REPAIR INSTRUCTION MANUAL.**

## 1058 OWNER'S MANUAL

REF. NO.	PART NO.	DESCRIPTION	REF. NO.	PART NO.	DESCRIPTION	REF. NO.	PART NO.	DESCRIPTION
1	395567	Cylinder Assembly	33		Valve-Exhaust <b>SEE LAST PAGES</b>	347	220824	Switch-Stop
2	399269	Bushing	34	296677	Valve-Intake	357	91539	Key-Drive Pulley (3/16" Square)
		<b>Note</b> — Requires Special Tools For Installation.	35	260552	Spring-Valve	370	66432	Washer-Plain
5	210812	Head-Cylinder	36		Spring-Valve <b>SEE LAST PAGES</b>	377	93065	Key-Woodruff
6	22963	Washer	40	93312	Retainer-Valve	383	89838	Wrench-Spark Plug
7		Gasket-Cylinder Head <b>SEE LAST PAGES</b>	41		Retainer-Valve <b>SEE LAST PAGES</b>	635	66538	Boot-Spark Plug
8	294178	Breather Assembly	42	230127	Keeper-Valve <b>Note</b> — 23184 Keeper-Valve Used on Type No(s). 0133.	741		Gear-Timing <b>SEE LAST PAGES</b>
9	★27549	Gasket-Breather	44	230126	Pin-Retainer <b>Note</b> — 23187 Pin-Retainer Used on Type No(s). 0133.	869		Seat-Valve <b>SEE LAST PAGES</b>
10	94621	Screw-Breather Mtg.	258	93062	Screw-Sem	870	211291	Seat-Valve (Exhaust) <b>Note</b> — For Options, See Repair Manual.
11	271489	Tube-Breather	259	294502	Bracket-Casing	871	262001	Guide-Bushing <b>Note</b> — 63709 Guide-Bushing (Replacement Only) <b>See Repair Manual.</b>
13	94547	Screw-Cylinder Head <b>Note</b> — 93583 Stud-Cylinder Used on Type No(s). 4035.	306	220478	Shield-Cylinder	1019	491075	Label Kit
15	91249	Plug-Oil Drain	307	93490	Screw-Sem	1058	27842	Owner's Manual
15A	93448	Plug-Oil Drain	308	223390	Cover-Cylinder Head			
16		Crankshaft <b>SEE LAST PAGES</b>	337		Plug-Spark <b>SEE LAST PAGES</b>			
17		Bearing-Ball <b>SEE LAST PAGES</b>						

★ Included in Gasket Set-Part No. 495602.  
● Included in Carburetor Kit-See Ref. 121.

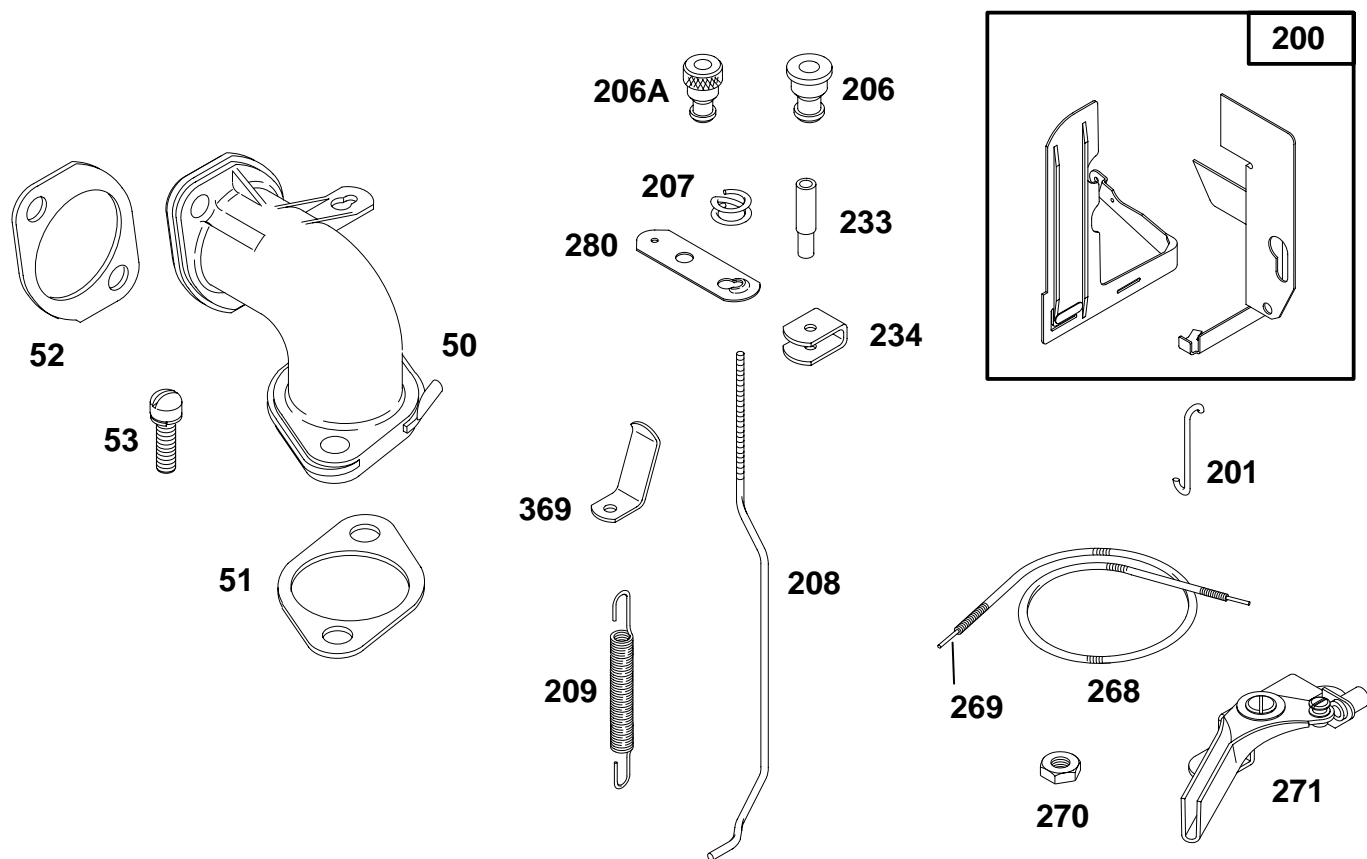


★ REQUIRES SPECIAL TOOLS TO INSTALL. SEE REPAIR INSTRUCTION MANUAL.

REF. NO.	PART NO.	DESCRIPTION	REF. NO.	PART NO.	DESCRIPTION	REF. NO.	PART NO.	DESCRIPTION
18	496674	Cover-Crankcase (Used After Code Date 93071800). <b>395259</b> Cover-Crankcase (Used Before Code Date 93071900). Used on Model Series 82331 and 82332. For Exceptions, see 298511.			<b>298511</b> Cover-Crankcase Used on Type No(s). 0141, 0142, 0148, 0152, 0153, 0526, 0527, 0528, 0529, 0530, 0531, 0532, 0537, 0538, 2528, 2535, 2537, 2538.			<b>295458</b> Piston Assy. (.030" O.S.) Ring Set <b>SEE LAST PAGES</b>
		<b>Note</b> <b>394909</b> Cover-Crankcase. Used on Model Series 82351 and 82352. For Exceptions, see 294307.	19		Bushing <b>SEE LAST PAGES</b>	26		<b>26026</b> Lock-Piston Pin
		<b>294307</b> Cover-Crankcase Used on Type No(s). 0548, 0549, 2547, 2548, 2549, 4049.	21	66768	Plug-Oil Fill	27	298909	Pin-Piston (Standard)
			22	94607	Screw-Hex. Hd.	28		<b>298908</b> Pin-Piston (.005" O.S.)
					<b>Note</b> <b>92747</b> Screw-Gear Cover Used in Two Top Holes to Mount Cover. Used on Model Series 82351 and 82352.	29	294367	Rod-Connecting
			25	295455	Piston Assy. (Std.)			<b>296079</b> Rod-Conn. (.020" Undersize)
					<b>295456</b> Piston Assy. (.010" O.S.)	30	220670	Dipper-Conn.-Rod
					<b>295457</b> Piston Assy. (.020" O.S.)	31	222282	Washer-Flat
						32	94404	Screw-Conn-Rod
						45	230173	Tappet-Valve
						46	493747	Gear-Cam
						523	297357	Cap-Oil Fill
						524	65304	Gasket-Cap
						524A	271485	Ring-Oil Ret.
						525	91258	Nipple-Fill (2-1/2" Long)
						525A	394884	Adapter-Oil Fill
						847	493955	Tube Assy.-Oil

★ Included in Gasket Set-Part No. 495602.  
● Included in Carburetor Kit-See Ref. 121.

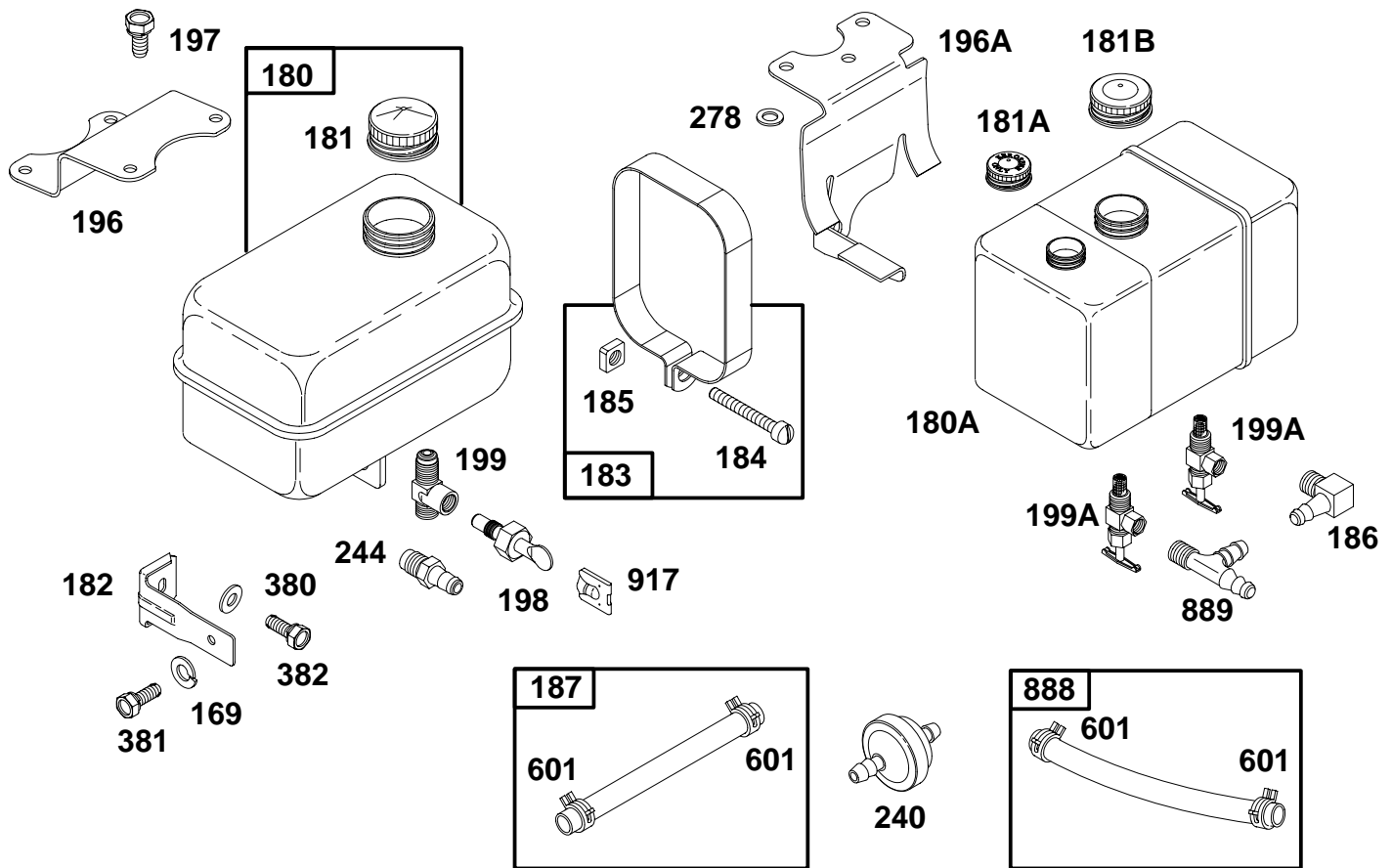




REF. NO.	PART NO.	DESCRIPTION	REF. NO.	PART NO.	DESCRIPTION	REF. NO.	PART NO.	DESCRIPTION
50	210810	Manifold-Intake	209	26925	Spring-Governor	269	26099	Wire-Control (54" Long)
51	★68987	Gasket-Carb. Mtg.	233	230253	Stop-Rod			<b>Note</b> ———
52	★27355	Gasket-Intake	234	220730	Clip-Rod			If Longer Wire is Needed, Specify Length in Inches; if a Shorter Wire is Needed, Order and Cut to Required Length.
53	94442	Screw-Sem	268	66986	Casing-Wire (48" Long)	270	63426	Locknut-Casing
200	490528	Blade-Governor			<b>Note</b> ———	271	290568	Lever-Control
201	26235	Link			If Longer Casing is Needed, Specify Length in Inches; if a Shorter Casing is Needed, Order and Cut to Required Length.	278	220863	Washer
206	230944	Guide-Rod				280	223236	Bracket-Rod
206A	230149	Speed Adjuster				369	220705	Spring-Rod
207	26855	Spring-Control Rod						
208	231345	Rod-Control						
		<b>Note</b> ———						
		230194 Rod-Control Used on Type No(s). 0135, 0151, 0164, 4005.						

★ Included in Gasket Set-Part No. 495602.  
 ● Included in Carburetor Kit-See Ref. 121.

# 82300 to 82399

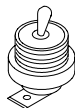


REF. NO.	PART NO.	DESCRIPTION	REF. NO.	PART NO.	DESCRIPTION	REF. NO.	PART NO.	DESCRIPTION
169	90832	Washer-Lock	187	296004	Line-Fuel (Flexible) (23" Long) (For Kerosene Line, Cut to Length)	199A	392882	Valve-Shut Off (Kerosene-Gasoline)
180	292945	Tank-Fuel (3 Quart)				240	298090	Filter-Fuel
		<b>Note</b>				244	230318	Connector-Fuel Line
		292944 Tank-Fuel (2 Quart)				278	93083	Washer (Between Support and Cylinder Head)
		Used on Type No(s). 0135.						<b>Note</b>
180A	392911	Tank-Fuel (3 Quart) (Kerosene-Gasoline)	196	220369	Support-Tank	380	62199	Washer
						381	93559	Screw-Sem
						382	93158	Screw-Sem
								<b>Note</b>
181	393156	Cap-Fuel Tank						92636 Screw-Cap Hex. Hd.
181A	392886	Cap-Fuel Tank (Small) (Kerosene-Gasoline)						90832 Washer-Lock
								230352 Spacer
								Used on Type No(s). 0143.
181B	392887	Cap-Fuel Tank (Large) (Kerosene-Gasoline)	196A	222759	Support-Tank (Kerosene-Gasoline)	601	93053	Clamp-Hose
						888	393891	Line-Fuel (Flexible-Short) (Kerosene-Gasoline)
182	220195	Bracket-Fuel Tank	197	93083	Screw-Sem			
183	393181	Strap-Fuel Tank	198	293934	Valve-Fuel Shut-Off	889	93915	Tee (Kerosene-Gasoline)
184	91257	Screw-Fill. Hd.	199	295896	Outlet-Tank (Includes Strainer) (For Flexible Fuel Line)			
185	90970	Nut-Square						
186	67218	Connector-Fuel Line (For Flexible Fuel Line)				917	223271	Handle-Shut-Off Valve

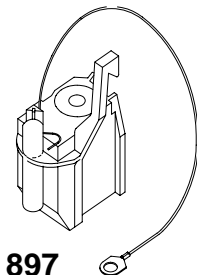
- ★ Included in Gasket Set-Part No. 495602.
- Included in Carburetor Kit-See Ref. 121.



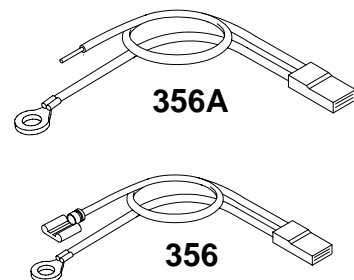
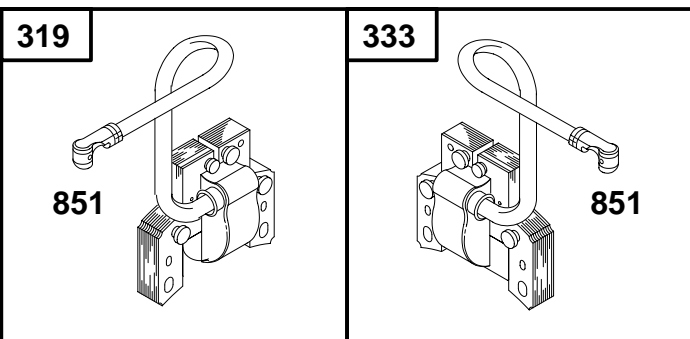
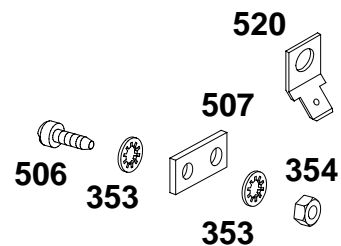
575



575A



897

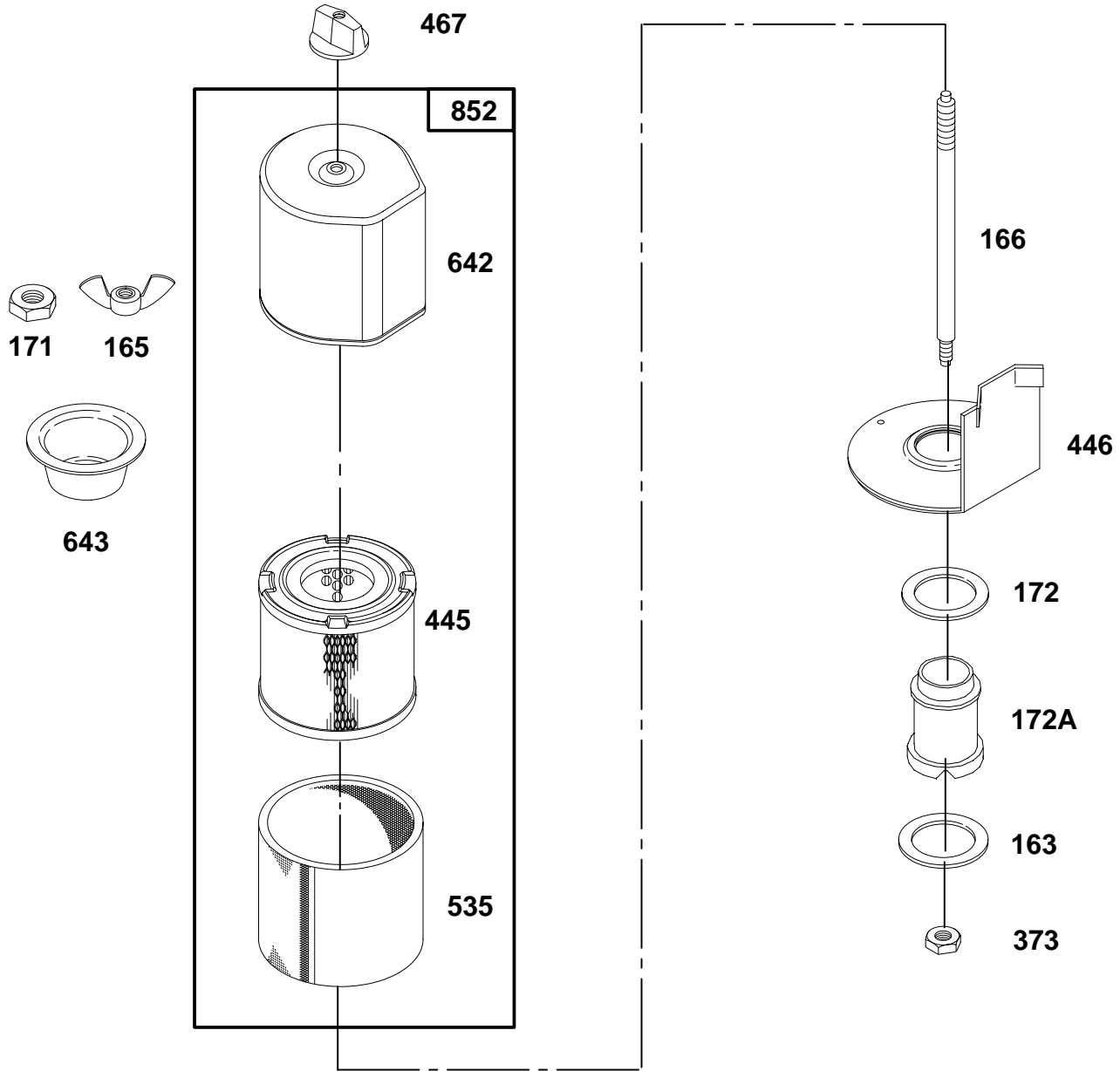


334

REF. NO.	PART NO.	DESCRIPTION	REF. NO.	PART NO.	DESCRIPTION	REF. NO.	PART NO.	DESCRIPTION
319	395488	Armature-Magneto (Less Trigger Coil)	356	398874	Wire-Stop	520	93722	Terminal
333	398593	Armature-Magneto	356A	398808	Wire-Stop (Used Only With Ref. 319 Armature)	575	396691	Switch-Starting
334	93381	Screw-Armature Mounting Sem	506	90200	Screw-Fill. Hd.	575A	397248	Switch-Starting
353	92791	Washer-Lock	507	66895	Insulator	851	221798	Terminal-Cable
354	90576	Nut-Hex.				897	394970	Magnetron® Ignition Kit

★ Included in Gasket Set-Part No. 495602.  
 ● Included in Carburetor Kit-See Ref. 121.

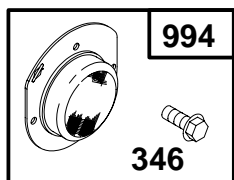
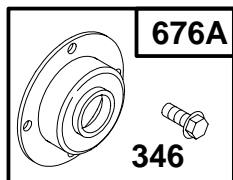
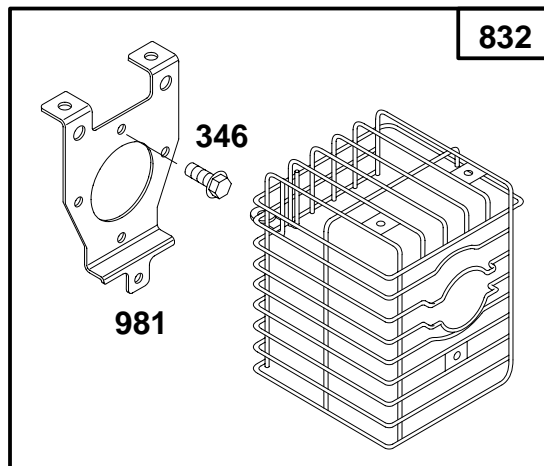
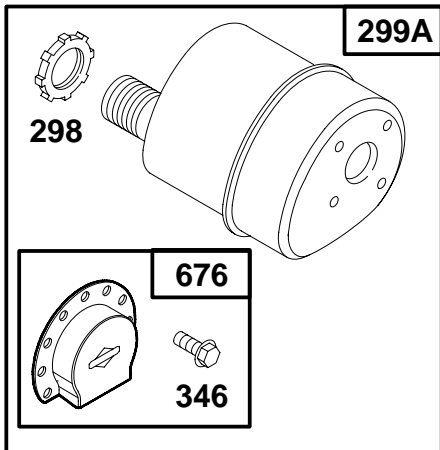
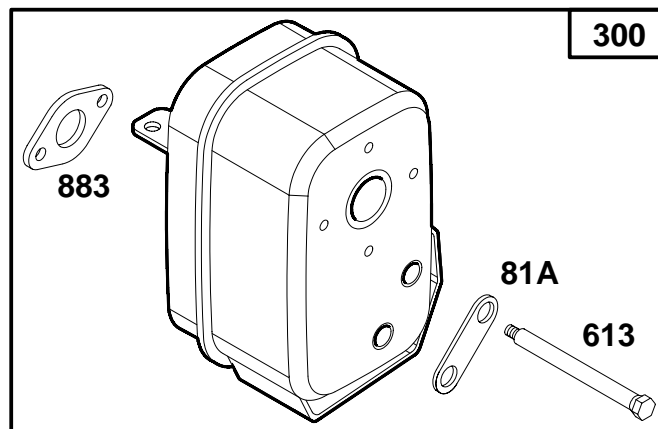
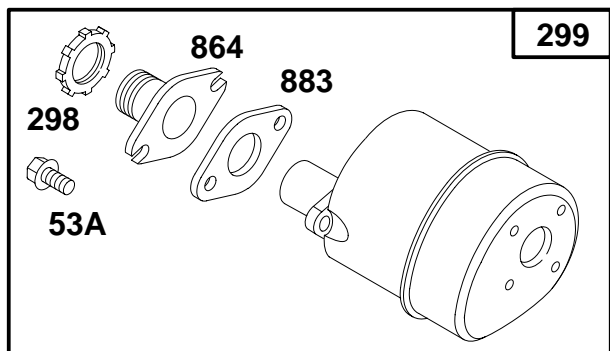
# 82300 to 82399



REF. NO.	PART NO.	DESCRIPTION	REF. NO.	PART NO.	DESCRIPTION	REF. NO.	PART NO.	DESCRIPTION
163	★271042	Gasket–Air Cleaner	172	271139	Spacer–Air Cleaner	467	212706	Knob
165	93856	Nut–Wing	172A	280213	Spacer–Air Cleaner	535	271466	Filter–Air
166	231314	Stud–Air Cleaner	373	92987	Nut–Hex.	642	223306	Cover–Air Cleaner
171	92987	Nut–Hex.	445	396424	Filter–Air	643	222845	Retainer–Air Filter
			446	395642	Base–Air Cleaner	852	396397	Cleaner–Air

- ★ Included in Gasket Set–Part No. 495602.
- Included in Carburetor Kit–See Ref. 121.

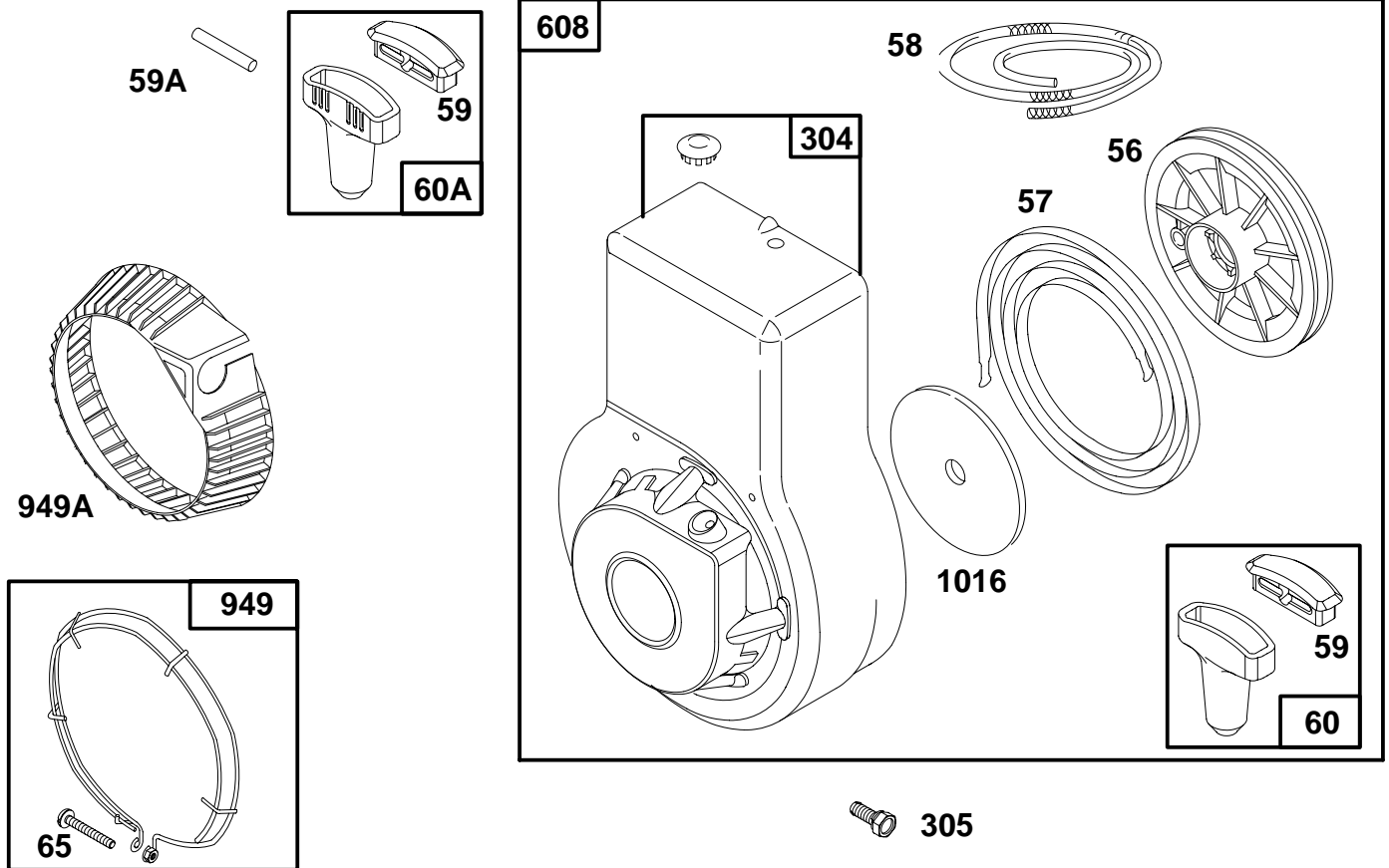




REF. NO.	PART NO.	DESCRIPTION	REF. NO.	PART NO.	DESCRIPTION	REF. NO.	PART NO.	DESCRIPTION
53A	94523	Screw—Hex Hd.	299A	392811	Muffler—Exhaust (Lo-Tone) ————— <b>Note</b> ————— 493000 Guard—Muffler <b>Use(s):</b> 93606 Screw (Guard to Muffler Mtg.) 62199 Washer (Guard to Bracket) 93873 Screw (Guard to Bracket Mtg.) 223127 Brace—Muffler Used on Type No(s). 0135.	300	395959	Muffler—Exhaust
81A	223256	Lock—Muffler Screw				346	93705	Screw—Sem
298	220859	Locknut—Muffler				613	94042	Screw—Muffler
299	493288	Muffler—Exhaust				676	393760	Deflector—Muffler
		<b>Note</b> —————				676A	397931	Deflector—Muffler
		493000 Guard—Muffler				832	398160	Guard—Muffler
		<b>Use(s):</b>				883	★272252	Gasket—Muffler
		94186 Screw (Guard to Muffler Mtg.)				864	492232	Adapter—Muffler
		94153 Screw (Guard to Bracket Mtg.)				981	223395	Bracket—Muffler
		223395 Brace—Muffler Used on Type No(s). 0155.				994	398067	Arrester—Spark

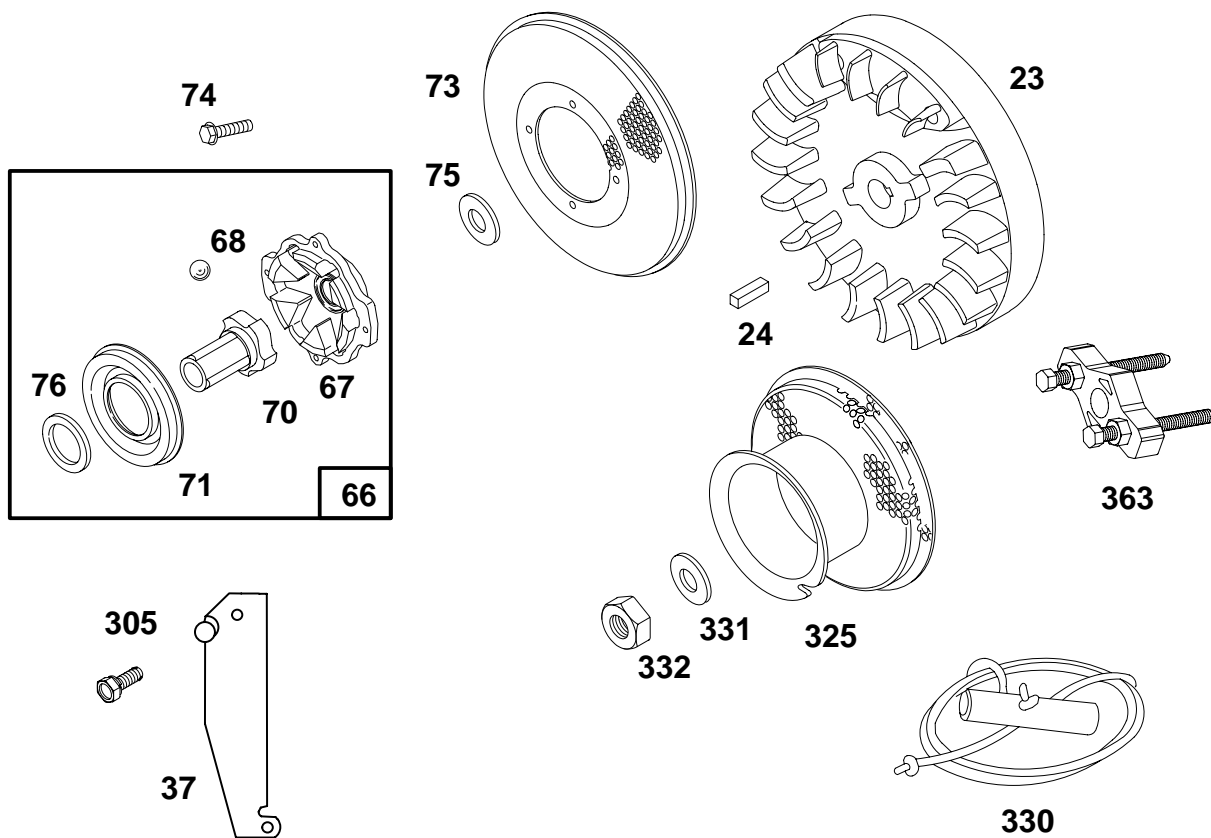
★ Included in Gasket Set—Part No. 495602.  
● Included in Carburetor Kit—See Ref. 121.

# 82300 to 82399



REF. NO.	PART NO.	DESCRIPTION	REF. NO.	PART NO.	DESCRIPTION	REF. NO.	PART NO.	DESCRIPTION
56	280439	Pulley—Starter			<b>398980</b> Housing—Blower			<b>492162</b> Starter—Rewind
57	490179	Spring—Rewind Starter			(For Rope and Rewind Starters)			(12 o'clock)
58	66734	Rope—Starter (48–5/8")			Used on Model Series 82331 and 82351.			Used on Type No(s). 0164.
		<b>Note</b>						
		<b>280406</b> Rope—Starter	305	93158	Screw—Sem	949	396579	Guard—Finger
		If Longer Rope is Needed, Order and Cut to Required Length.	608	398034	Starter—Rewind (10 o'clock)	949A	281192	Guard—Finger (Used After Code Date 91080400).
					<b>Note</b>			<b>Note</b>
59	490653	Insert—Starter Grip			<b>398035</b> Starter—Rewind			<b>280684</b> Guard—Finger (Used Before Code Date 91080500).
59A	230228	Pin—Starter Grip			Used on Type No(s). 0135, 0153, 0161, 0537, 0538, 0549, 2535, 2537, 2538, 2548, 2549, 4001, 4005, 4008, 4035, 4049.	1016	490817	Spacer
60	393152	Grip—Starter Rope						
60A	490652	Grip—Starter Rope						
65	94124	Screw—Rd. Hd.						
304		Housing—Blower						

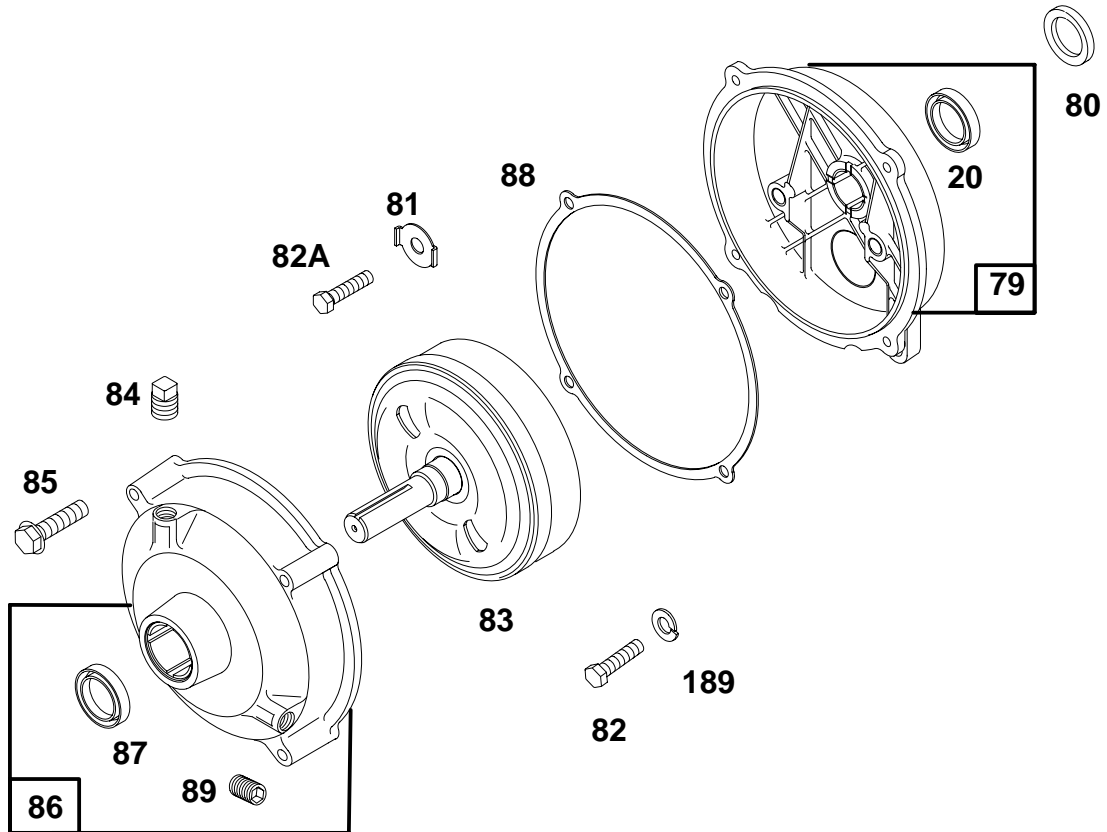
- ★ Included in Gasket Set—Part No. 495602.
- Included in Carburetor Kit—See Ref. 121.



REF. NO.	PART NO.	DESCRIPTION	REF. NO.	PART NO.	DESCRIPTION	REF. NO.	PART NO.	DESCRIPTION
23	296884	Flywheel	73	221661	Screen-Rotating	330	69932	Rope-Starter
24	222698	Key-Flywheel	74	93490	Screw-Sem	331	224061	Washer-Flywheel (5/8" Hole)
37	220971	Guard-Flywheel	75	224061	Washer-Flywheel	332	92284	Nut-Flywheel (5/8-18 Right Hand Thread)
66	399671	Clutch-Starter	76	68238	Washer-Sealing	363	19069	Flywheel Puller
67	394897	Housing-Clutch	305	93158	Screw-Sem			
68	63770	Ball-Clutch	325	298731	Pulley-Starter (5/8" Hole in Pulley)			
70	298799	Ratchet-Clutch						
71	394506	Washer-Retainer						

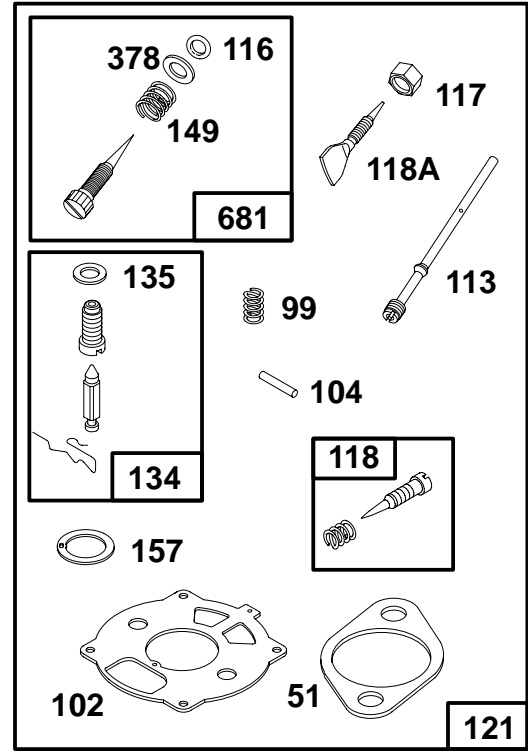
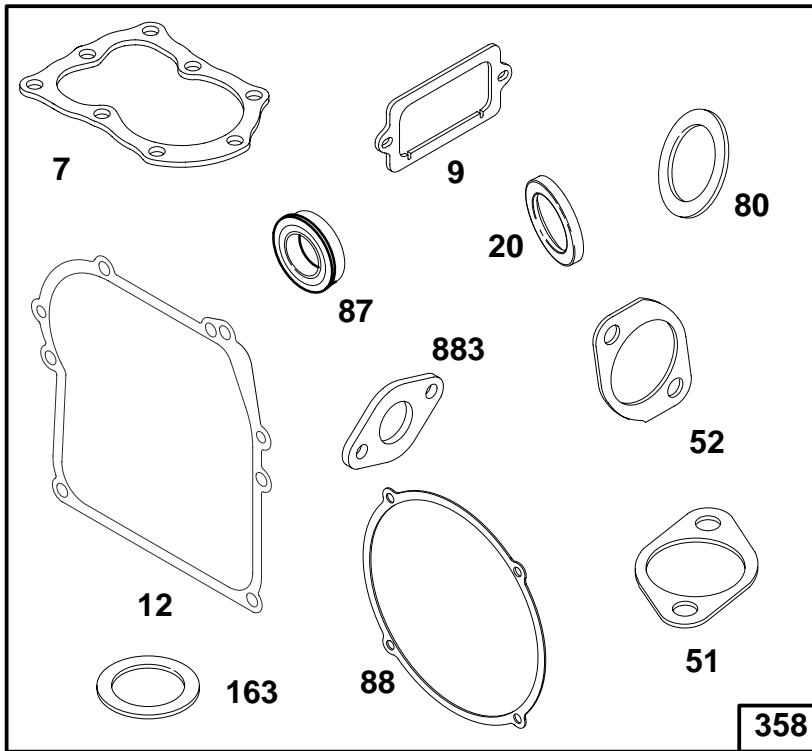
★ Included in Gasket Set-Part No. 495602.  
 ● Included in Carburetor Kit-See Ref. 121.

# 82300 to 82399



REF. NO.	PART NO.	DESCRIPTION	REF. NO.	PART NO.	DESCRIPTION	REF. NO.	PART NO.	DESCRIPTION
79	290779	Case Assy.—Gear	83	211293	Shaft Assembly—Drive	88	★27313	Gasket—Cover
80	★27667	Gasket—Gear Case	84	92617	Plug—Breather	89	93448	Plug—Oil Drain (1/4" Pipe Thread)
81	220234	Lock—Screw Hd.	85	92747	Screw—Hex. Hd.	189	90366	Washer—Lock
82	91541	Screw—Cap, Hex. Hd. (7/8" Long)	86	291730	Cover Assembly— Gear			
82A	92279	Screw—Cap, Hex. Hd. (1-1/2" Long)	87	★19011	Seal—Oil			

- ★ Included in Gasket Set—Part No. 495602.
- Included in Carburetor Kit—See Ref. 121.



REF. NO.	PART NO.	DESCRIPTION	REF. NO.	PART NO.	DESCRIPTION	REF. NO.	PART NO.	DESCRIPTION
7	★272167	Gasket-Cylinder Head <b>Note</b> 272167 Cylinder Head Gaskets (2) Used on Type No(s). 0132, 0141, 0142, 0526, 0529, 0531.	102	●27917	Gasket-Carb. Body	121	398992	Carburetor Kit (Used After Code Date 85120500). <b>Note</b> 291691 Carburetor Kit (Used Before Code Date 85120600).
9	★27549	Gasket-Breather	104	●23114	Pin-Float Hinge	134	●293478	Valve-Needle
12	★270833	Gasket-Crankcase (.015" Thick, Standard) ★270895 Gasket-Crankcase (.005" Thick) ★270896 Gasket-Crankcase (.009" Thick) (Hex. Socket Hd.)	113	●231359	Nozzle-Carburetor (Used After Code Date 85120500). <b>Note</b> ●23222 Nozzle-Carb. (Used Before Code Date 85120600).	135	●68877	Gasket-Fuel Inlet Valve Seat
20	★299819	Seal-Oil	114	●68887	Packing-Valve (Used Before Code Date 85120600).	149	261357	Spring-Needle Valve (Used After Code Date 85120500).
51	★●68987	Gasket-Carb. Mtg.	116	280203	Packing-Valve (Used After Code Date 85120500).	157	●27840	Gasket-Venturi
52	★27355	Gasket-Intake	117	●23227	Nut-Packing (Used Before Code Date 85120600).	358	495602	Gasket Set
80	★27667	Gasket-Gear Case	118	●292681	Valve-Idle Adjustment	378	●22032	Washer
87	★19011	Seal-Oil	118A	●230005	Valve-Needle (Used Before Code Date 85120600).	681	●399619	Valve-Needle <b>Note</b> 292088 Valve-Needle Used on Type No(s). 0132, 0141, 0142, 0156, 0157, 0158, 0163, 0526, 0529, 0531, 2538.
88	★27313	Gasket-Cover				883	★272252	Gasket-Muffler
99	●26157	Spring-Idle Valve						

★ Included in Gasket Set-Part No. 495602.  
● Included in Carburetor Kit-See Ref. 121.

# 82300 to 82399

REF. NO.	PART NO.	DESCRIPTION	REF. NO.	PART NO.	DESCRIPTION	REF. NO.	PART NO.	DESCRIPTION
7	★272167	Gasket–Cylinder Head <b>Note</b> <b>272167</b> Cylinder Head Gaskets (2) Used on Type No(s). 0132, 0141, 0142, 0526, 0529, 0531.			<b>495211</b> Crankshaft (Used After Code Date 93071800). <b>493633</b> Crankshaft (Used Before Code Date 93071900). Used on Type No(s). 0111, 0133, 0137, 0146, 0150, 0153, 0155, 0156, 0161, 0162, 0164, 0165, 0528, 0529, 0537, 2528, 2537, 2538, 4001, 4005, 4008, 4037.	33	<b>262986</b>	Valve–Exhaust (Used After Code Date 93112100). <b>262580</b> Valve–Exhaust (Cobalite™) (Used Before Code Date 93112200 and After Code Date 90051300). <b>296676</b> Valve–Exhaust (With Hole in Stem) (Used Before Code Date 90051400). <b>Note</b> <b>296676</b> Valve–Exhaust Used on Type No(s). 0137, 0147, 0149, 0150, 0151, 0153, 0154, 0155, 0156, 0157, 0158, 0159, 4006, 4007, 4008, 4037.
12	★270833	Gasket–Crankcase (.015" Thick, Standard) <b>★270895</b> Gasket–Crankcase (.005" Thick) <b>★270896</b> Gasket–Crankcase (.009" Thick) (Hex. Socket Hd.)	17	<b>495484</b>	Bearing–Ball (Used After Code Date 93071800). <b>Note</b> <b>99158</b> Bearing–Ball (Used Before Code Date 93071900).	36	<b>260552</b>	Spring–Valve (Exhaust) (Used After Code Date 93112100). <b>262750</b> Spring–Valve (Exhaust) (Used Before Code Date 93112200 and After Code Date 90051300). <b>Note</b> <b>26826</b> Spring–Valve (Used Before Code Date 90051400).
16	<b>495210</b>	Crankshaft (Used After Code Date 93071800). <b>492095</b> Crankshaft (Used Before Code Date 93071900). <b>Note</b> To Replace Crankshaft Gear Pin– Order Part No. <b>230978</b> . <b>397252</b> Crankshaft Used on Type No(s). 0148, 0151, 0154, 0157, 0158, 0163, 0530, 0531, 4002, 4006. <b>397256</b> Crankshaft Used on Type No(s). 0139, 0532. <b>493599</b> Used on Type No(s). 0126, 0131, 0134, 0136, 0138, 0548, 0549, 2547, 2548, 2549, 4049. <b>493619</b> Crankshaft Used on Type No(s). 0139, 0538. <b>493767</b> Crankshaft (Used After Code Date 93071800). <b>493849</b> Crankshaft (Used Before Code Date 93071900). Used on Type No(s). 0135, 2535, 4035. <b>494033</b> Crankshaft Type No(s) 0144.	19	<b>293708</b>	Bushing <b>Include(s):</b> <b>220538</b> Bushing <b>Note</b> Bushings Require Special Tools For Installation. <b>Note</b> <b>294499</b> Bushing <b>Include(s):</b> <b>220538</b> Bushing Used on Model Series <b>82351 and 82352</b> .	41	<b>491442</b>	Retainer–Valve (Used Before Code Date 93112200 and After Code Date 90051300). <b>292259</b> Retainer–Valve (Used Before Code Date 90051400). <b>Note</b> <b>93312</b> Retainer–Valve Used on Type No(s). 0137, 0147, 0149, 0150, 0151, 0153, 0154, 0155, 0156, 0157, 0158, 0159, 0160, 0162, 0163, 0164, 0165, 2016, 2538, 4003, 4005, 4006, 4007, 4008, 4037.
			20	★299819	Seal–Oil <b>Note</b> <b>392838</b> Seal–Oil Used on Model Series <b>82351 and 82352</b> . <b>393812</b> Seal–Oil (Used Before Code Date 93071800). <b>★495355</b> Seal–Oil (Used After Code Date 93071900).			
			26	<b>295657</b>	Ring Set (Standard) <b>297201</b> Ring Set (Chrome Standard) <b>295658</b> Ring Set (.010" O.S.) <b>295659</b> Ring Set (.020" O.S.) <b>295660</b> Ring Set (.030" O.S.)			

★ Included in Gasket Set–Part No. 495602.  
 ● Included in Carburetor Kit–See Ref. 121.

## 82300 to 82399

REF. NO.	PART NO.	DESCRIPTION	REF. NO.	PART NO.	DESCRIPTION	REF. NO.	PART NO.	DESCRIPTION
337	298809	Plug-Spark (1-1/2" High, 38 mm) <hr/> <b>Note</b> <hr/> <b>492167</b> Plug-Spark (1-7/8" High, 49 mm) <b>802592</b> Plug-Spark (1-7/8" High, 49 mm) (Resistor Type)	681	●399619	Valve-Needle <hr/> <b>Note</b> <hr/> <b>292088</b> Valve-Needle Used on Type No(s). 0132, 0141, 0142, 0156, 0157, 0158, 0163, 0526, 0529, 0531, 2538.	869	211172	Seat-Valve (Intake) (Used After Code Date 88073100). <hr/> <b>Note</b> <hr/> <b>210879</b> Seat-Valve (Intake) (Used Before Code Date 88080100).
			741	261721	Gear-Timing <hr/> <b>Note</b> <hr/> <b>261533</b> Gear-Timing Used on Model Series 82331, 82332, 82351 and 82352.			

- ★ Included in Gasket Set-Part No. 495602.
- Included in Carburetor Kit-See Ref. 121.