

82500 to 82597

Illustrated Parts List

Model Series 82500 to 82597

TYPE NUMBERS
0110 to 0188

TO FIND

THE CORRECT NUMBER OF THE PART YOU NEED:

FOLLOW THE INSTRUCTIONS BELOW:

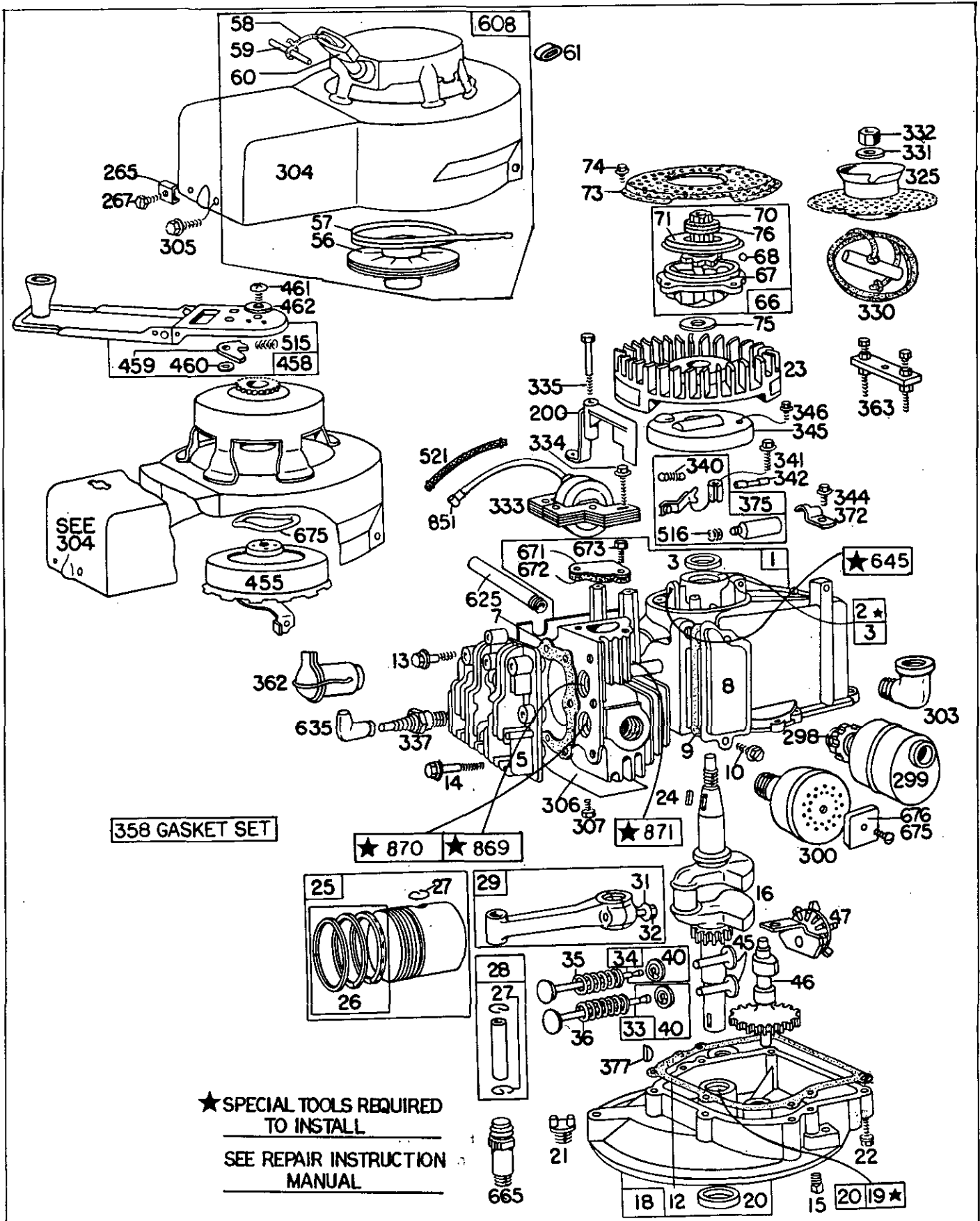
- A. Refer to Engine Model, Type and Code Number that is stamped on the blower housing or nameplate of engine. Engine type numbers such as 0147 01 are listed herein only as 0147. The two digits (01 or 02, etc.) to the right of the space are not needed for parts identification. Then use the Illustrated Parts List covering these Model Series.
- B. Refer to Illustrated Parts section and compare the old part with illustration. The number on the illustration is the Reference Number. Assemblies include all parts shown in frames. All parts shown in assembly frames on which individual reference numbers are given can be purchased separately.
- C. After the Reference Number has been identified, refer to the Numerical Parts List, where Reference and Master Part Numbers are listed. **THE MASTER PART IS USED ON ALL TYPE NUMBERS EXCEPT THOSE TYPE NUMBERS UNDER "NOTE"**.
- D. If a "Note" appears below the Master Part Number, this means that this part differs from the Master Part for certain types. If the Type Number is listed under "Note", order the part referred to.
- E. If the Engine Type Number does not appear after any part number listed under "Note", use the Master Part Number.
- F. For Type Numbers higher than those covered by this book, please refer to the factory if you are unable to identify the part by comparison.

PRINTED IN U.S.A.



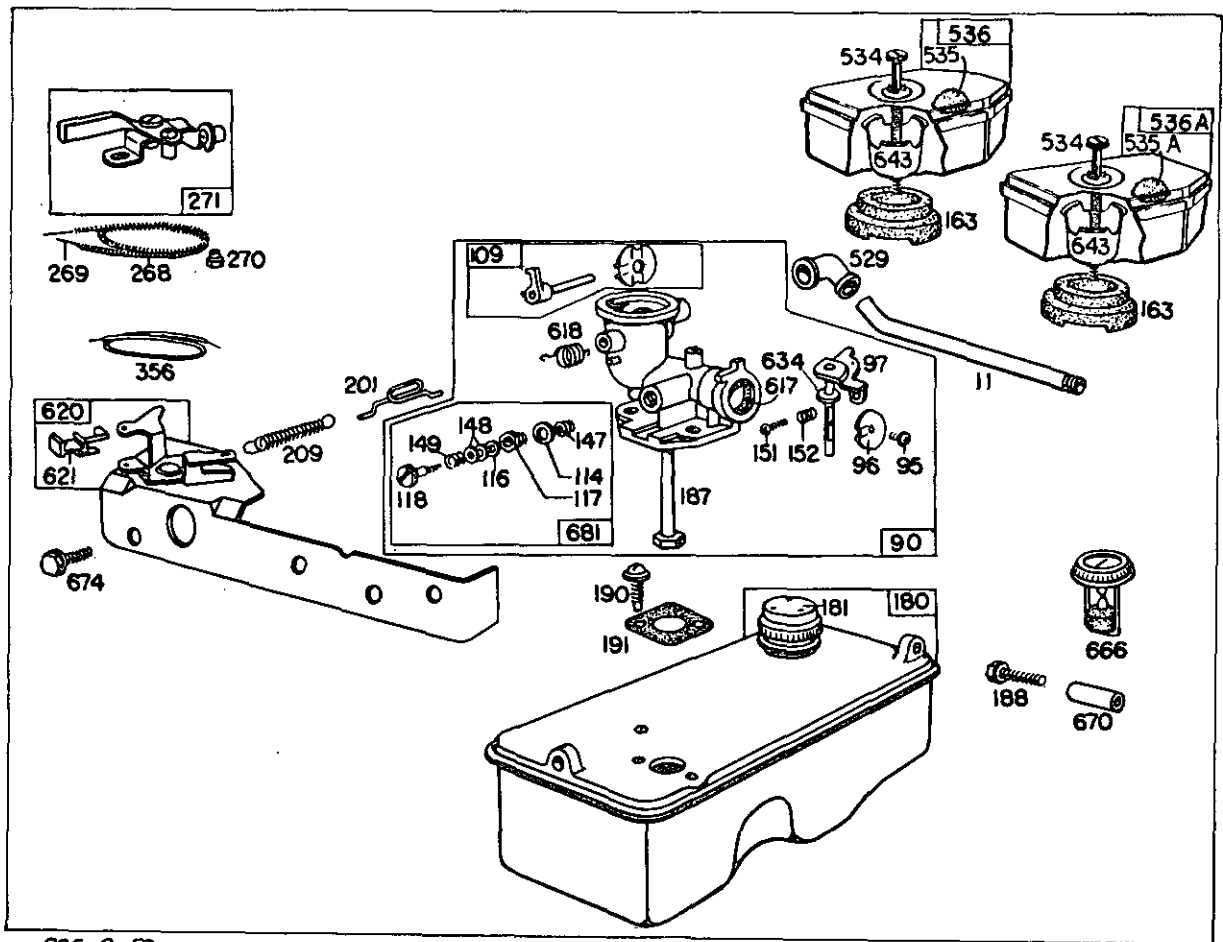
COPYRIGHT ©

82500 to 82597



825-1-59

Assemblies include all parts shown in frames.



826-2-59

REF. NO. 1 - 16

REF. NO.	PART NO.	DESCRIPTION	REF. NO.	PART NO.	DESCRIPTION	REF. NO.	PART NO.	DESCRIPTION
1	298565	Cylinder Assembly	14	93113	Screw-Cylinder Head (2-5/16" long)			260098 Crankshaft Used on type Nos. 0118, 0123, 0143, 0152, 0156, 0159, 0161, 0162.
2	293708	Bushing-Cylinder Note: Requires special tools for installation.	15	91084	Plug-Oil Drain Note: 93418 Plug-Oil Drain (Socket Head)			260099 Crankshaft Uses:
3	299819	Seal-Oil			Used on type Nos. *0129, 0187.			220708 Shim-Crankshaft, Thrust Used on type Nos. 0125, 0126.
5	210812	Head-Cylinder	16	260124	Crankshaft Note: 260096 Crankshaft			Used on type Nos. 0116, 0121, 0136, 0138, 0144, 0146, 0147, 0149, 0160, 0167, 0168, 0169, 0171.
7	*27670	Gasket-Cylinder Head			Used on type Nos. 0117, 0122, 0137, 0139, 0150, 0157, 0178.			260204 Crankshaft Used on type No. 0142.
8	298383	Breather-Valve Chamber						260319 Crankshaft Used on type No. 0133.
9	270239	Gasket-Valve Cover						260390 Crankshaft Used on type No. 0110.
10	93394	Screw-Breather Mounting Sem						
11	230802	Tube-Breather						
12	*270833	Gasket-Crankcase-.015" thick (Standard)						
	*270895	Gasket-Crankcase-.005" thick						
	*270896	Gasket-Crankcase-.009" thick						
13	93111	Screw-Cylinder Head (1-15/16" long)						

* Included in Gasket Set-Part No. 298588.

82500 to 82597

REF. NO. 16 - 201

REF. NO.	PART NO.	DESCRIPTION	REF. NO.	PART NO.	DESCRIPTION	REF. NO.	PART NO.	DESCRIPTION
		260670 Crankshaft Used on type Nos. 0130, 0131, 0132, 0134.		295588	Piston Assembly— .010" O. S.	66	298310	Clutch Assy.—Rewind and Wind-Up Starter
		260839 Crankshaft Used on type No. 0158.		295589	Piston Assembly— .020" O. S.	67	212131	Housing—Starter Clutch
18	293512	Sump—Oil Note: 293597 Sump—Oil Used on type No. 0158.		295590	Piston Assembly— .030" O. S.	68	63770	Ball—Clutch
		295041 Sump—Oil Used on type Nos. 0159, 0161.	26	294232	Ring Set—Standard Piston	70	298436	Ratchet—Rewind and Wind-Up Starter
		298280 Sump—Oil Used on Model 82590 to 82597 Series.		294224	Ring Set—.010" O. S. Piston	71	221653	Washer—Clutch Retainer
19	293709	Bushing—Oil Sump Note: Requires special tools for installation.		294225	Ring Set—.020" O. S. Piston	73	221661	Screen—Starter Pulley
		391483 Seal—Oil Note: 294167 Seal—Oil (Crankshaft—P. T. O. Side)	27	26026	Lock—Piston Pin	74	93042	Screw—Rotating Screen Mtg. Sem
		298041 Seal, Oil (Auxiliary Drive Shaft) Used on Model 82590 to 82597 Series.	28	298909	Pin Assembly— Piston—Standard	75	220865	Washer—Spring
20	66768	Plug—Oil Filler Note: 298664 Cap and Dip Stick—Oil Filler Uses: 298663 Oil Tube 270306 Seal—Oil Tube Used on type No. 0139.		298908	Pin Assembly— Piston—.005" O. S.	76	68238	Washer—Ratchet Sealing
		93032 Screw—Sump Mtg. Sem	29	294201	Rod Assembly— Connecting	90	298569	Carburetor Ass ^e mbl ^y Screw—Throttle Valve Mounting Sem
21	297949	Flywheel—Magneto Note: 296884 Flywheel— Magneto Used on type Nos. 0129, 0133, 0152, 0157, 0158, 0159, 0161, 0166, 0178.	31	220756	Lock—Connecting Rod Screw	95	93499	Screw—Throttle Valve Mounting Sem
		61760 Key—Flywheel	32	92296	Screw—Connecting Rod	96	211286	Throttle—Carburetor
22	295587	Piston Assembly— Standard	33	296676	Valve—Exhaust	97	298460	Shaft and Lever— Choke
			34	296677	Valve—Intake	109	390076	Shaft and Lever— Choke Valve
			35	260552	Spring—Intake Valve	114	66594	Gasket—Needle Valve Nut
			36	26478	Spring—Exhaust Valve	116	65978	Packing—Needle Valve
			40	93312	Retainer—Valve Spring	117	230590	Nut—Needle Valve
			45	230173	Tappet—Valve	118	23433	Valve—Needle
			46	210453	Gear—Cam Note: 211337 Gear—Cam Used only on Model 82590 to 82597 Series.	147	230591	Seat—Needle Valve
			47	294652	Oil Slinger Gear and Bracket	148	22235	Washer—Needle Valve
			56	294088	Pulley—Rewind Starter	149	26336	Spring—Needle Valve
			57	294303	Spring—Rewind Starter	151	93524	Screw, Rd. Hd.— 5-40 x 1/2"
			58	294584	Rope—Rewind Starter— 47-1/8" long Note: If longer rope is needed, order No. 66514 and cut to re- quired length.	152	260746	Spring—Throttle Adjustment
			59	230228	Pin—Starter Rope	163	*270621	Gasket—Air Cleaner Mounting
			60	66728	Grip—Starter Rope	171	92129	Nut—Hex.—1/4-28
			61	68618	Bumper—Starter Pulley	180	298475	Tank Assy.—Fuel
						181	298425	Cap—Fuel Tank
						187	296476	Pipe—Fuel
						188	93444	Screw—Hex. Hd. Sem
						190	93440	Screw—Fuel Tank Mounting Sem
						191	270250	Gasket—Fuel Tank Mounting
						200	68388	Blade—Governor
						201	260821	Link—Governor

* Included in Gasket Set—
Part No. 298588.

REF. NO.	PART NO.	DESCRIPTION	REF. NO.	PART NO.	DESCRIPTION	REF. NO.	PART NO.	DESCRIPTION
209	260832	Spring—Governor				344	93042	Screw—Condenser Clamp Mtg. Sem
	Note: 260827	Spring—Gov. Used on type Nos. 0129, 0133, 0135, 0151, 0152, 0158, 0167, 0168.				345	220366	Cover—Breaker Point and Condenser
	260835	Spring—Gov. Used on type Nos. 0136, 0138, 0155, 0157.				346	93705	Screw—Dust Cover Mounting Sem
265	22372	Clamp—Casing	305	93559	Screw—Blower Hsg. Mounting Sem	356	298479	Wire—Ground
267	93469	Screw—Clamp Mtg.	306	220478	Shield—Cylinder	358	298588	Gasket Set
268	66986	Casing—Control Wire—48" long	307	93042	Screw—Cylinder Shield Mounting Sem	362	89742	Shield—Spark Plug
	Note:	If longer casing is needed, specify length in inches; if a shorter casing is needed, order No. 66986 and cut to required length.	325	293959	Starter Pulley with Screen	363	19069	Puller—Flywheel (Optional Accessory)
269	26099	Wire—Control, 54" long				372	220477	Clamp—Condenser
	Note:	If longer wire is needed, specify length in inches; if shorter wire is needed, order No. 26099 and cut to required length.				375	294628	Breaker Points and Condenser Set
270	63426	Locknut—Control Wire Casing					Note:	299061 Ignition Kit
271	290568	Lever Assy.—Control	330	294584	Rope—Starter		Includes:	294628 Point Set
298	220859	Locknut—Muffler	331	62577	Washer—Flywheel			65704 Plunger
299	392811	Muffler—Exhaust						61760 Key—Flywheel
300	298830	Muffler—Exhaust				377	93065	Key—Woodruff No. 6
	Note:	29807 Muffler—Exhaust Used on type No. 0157.				455	297542	Cup, Spring and Release Assy.
303	91943	Elbow—Exhaust, 90°, Street	332	91708	Nut—Flywheel	458	298431	Handle Assembly—Cranking
304		Housing—Blower				459	221332	Pawl—Ratchet
		For type Numbers not listed below, see Ref. No. 608.	333	298502	Armature—Magneto	460	93272	Retainer—Ratchet Pawl
	298568	Housing—Blower (For Rewind Starter)	334	93381	Screw—Armature Mounting Sem	461	93298	Screw—Handle Mtg.
			335	93435	Screw—Armature and Governor Blade Mtg. Sem	462	221237	Washer—Handle Mtg.
			337	29693	Plug—Spark (with Gasket)	515	260537	Spring—Ratchet Pawl
						516	260374	Spring—Connector (Condenser Post)
						529	67838	Grommet—Breather
						534	93374	Screw—Air Cleaner
						535	270579	Element—Air Cleaner (2 — Slanted Sides)
						535A	270251	Element—Air Cleaner (1 — Slanted Side)
						536	390055	Cleaner Assy.—Air (2 — Slanted Sides)
						536A	298566	Cleaner Assy.—Air (1 — Slanted Side)
							Note:	Replaced by
								390055 Air Cleaner Assembly
			338	29806	Gasket—Spark Plug			(2 — Slanted Sides)
			340	26018	Spring—Breaker Arm	608	390270	Starter Assy.—Rewind (12 o'clock position)
			341	93381	Screw—Contact Finger Post Mounting Sem			
			342	65704	Plunger—Breaker Point			

82500 to 82597

REF. NO. 608 - 871

REF. NO.	PART NO.	DESCRIPTION	REF. NO.	PART NO.	DESCRIPTION	REF. NO.	PART NO.	DESCRIPTION
	Note:	298601 Starter Assy. - Rewind (4 o'clock position) Used on type Nos. 0133, 0136.	620	298468	Plate Assembly- Carburetor Control	673	93705	Screw-Intake Port Cover
		390274 Starter Assy. - Rewind (1:30 o'clock position) Used on type Nos. 0130, 0131, 0141, 0143, 0150, 0163.		Note:	298469 Plate Assy. - Carburetor Control Used on type Nos. 0138, 0146, 0147, 0157, 0158, 0166, 0169, 0171, 0172.	674	93559	Screw-Tank to Bracket
		390280 Starter Assy. - Rewind (3 o'clock position) Used on type Nos. 0137, 0144, 0148, 0165, 0166, 0170, 0172, 0173.	621	297472	Switch-Stop	675	93408	Washer-Starter Hsg. Spring
617	270248	Seal-Intake Tube	625	230803	Tube-Fuel Intake	676	221643	Deflector-Muffler
618	260831	Spring-Choke Return	634	270167	Washer-Throttle Shaft (Felt)	677	93606	Screw-Muffler Deflector
			635	66538	Elbow-Spark Plug	681	299060	Needle Valve Kit
			643	221321	Cup-Air Cleaner	851	221798	Terminal-Ignition Cable
			645	23513	Bushing-Plunger	869	210879	Seat-Intake Valve (Standard)
			665	296768	Oil Minder		Note:	For installation and options see Repair Manual.
			666	297073	Gauge-Fuel Level	870	211291	Seat-Exhaust Valve (Standard)
			670	211412	Spacer-Fuel Tank		Note:	For installation and options see Repair Manual.
			671	221720	Cover-Intake Port	871	63709	Guide-Exhaust Valve
			672	270254	Gasket-Intake Port Cover			

