

Illustrated Parts List

Model Series

90100 to 90199

TYPE NUMBERS

0004, 0005, 0007,
0015, 0016, 0022,
0104, 0114, 0116,
0117, 0119, 0120,
0122, 0123, 0124,
0125, 0126, 0127,
0129, 0130, 0131,
0132, 0134.

TO FIND

THE CORRECT NUMBER OF THE PART YOU NEED: FOLLOW THE INSTRUCTIONS BELOW

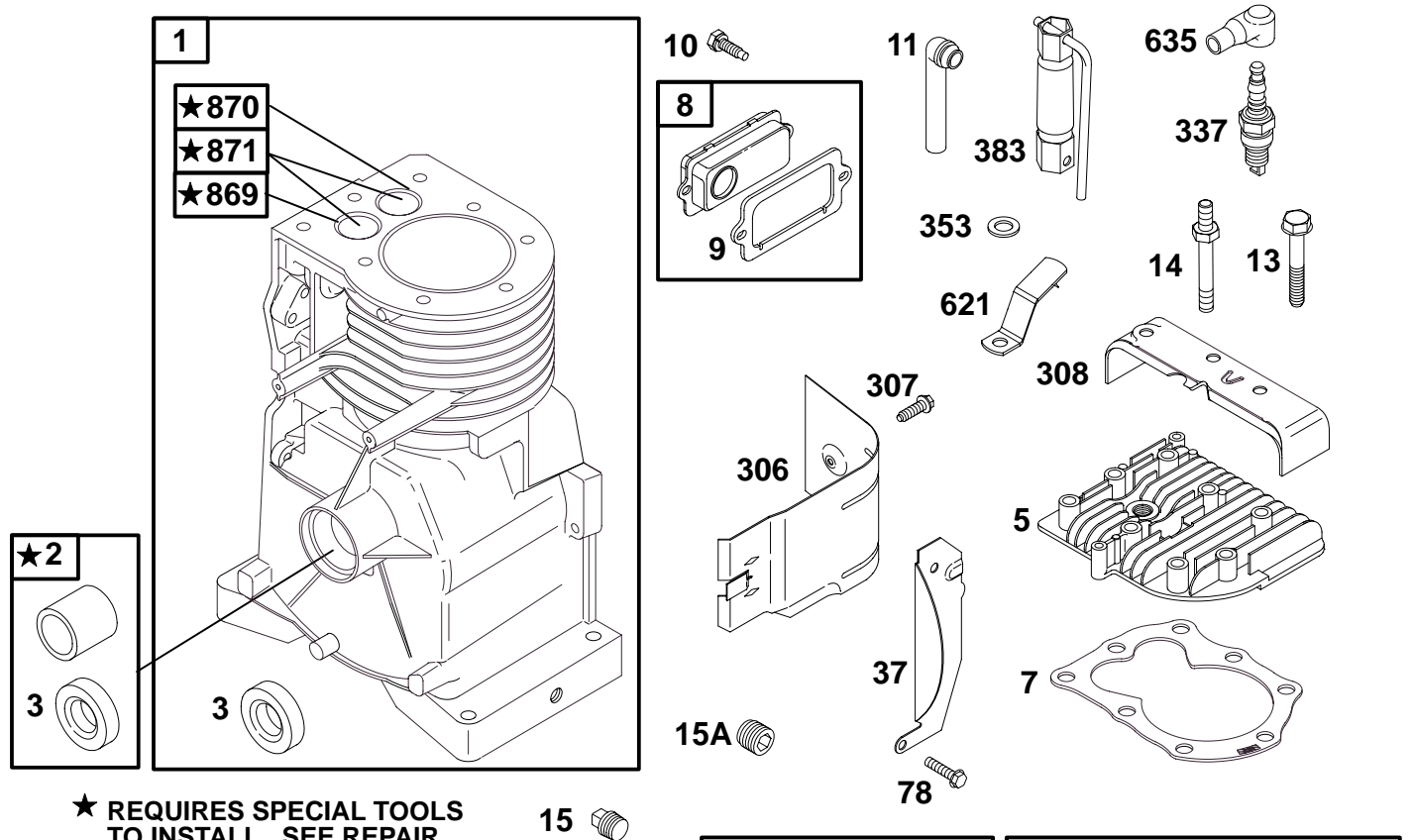
- A. Refer to Engine Model, Type and Code Number that is stamped on the blower housing of engine. Engine type numbers such as 0123 01 are listed only as 0123 in most instances. The two digits (01 or 02, etc.) to the right of the space may be required for more accurate parts identification in some instances. Select the Illustrated Parts List covering the correct Model Series and Type Number.
- B. Refer to the Illustrations and compare the original part with Illustration. The number next to the illustration is the Reference Number. Assemblies include all parts shown in frames. All parts shown in assembly frames having individual reference numbers can be purchased separately.
- C. After the Reference Number has been identified, refer to the Numerical text, where Reference and Primary Part Number are listed. **THE PRIMARY PART IS USED ON ALL TYPE NUMBERS EXCEPT THOSE TYPE NUMBERS UNDER "NOTE."**
- D. If a "Note" appears below the Primary Part Number, it means that this part differs from the Primary Part for certain types. If your Type number is listed under "Note," order the part referred to at the "Note."
- E. If your Engine Type Number does not appear after any part number listed under "Note," use the Primary Part Number.
- F. For Engine Type Numbers not covered by this book, check other Parts Lists having the same engine model or contact your source of supply.

PRINTED IN U.S.A.



COPYRIGHT by BRIGGS & STRATTON CORPORATION
All rights reserved. No part of this material may be reproduced or transmitted, in any form or by any means, electronic or mechanical, including photocopying, recording or by any information storage and retrieval system, without permission in writing from Briggs & Stratton Corporation.

90100 to 90199

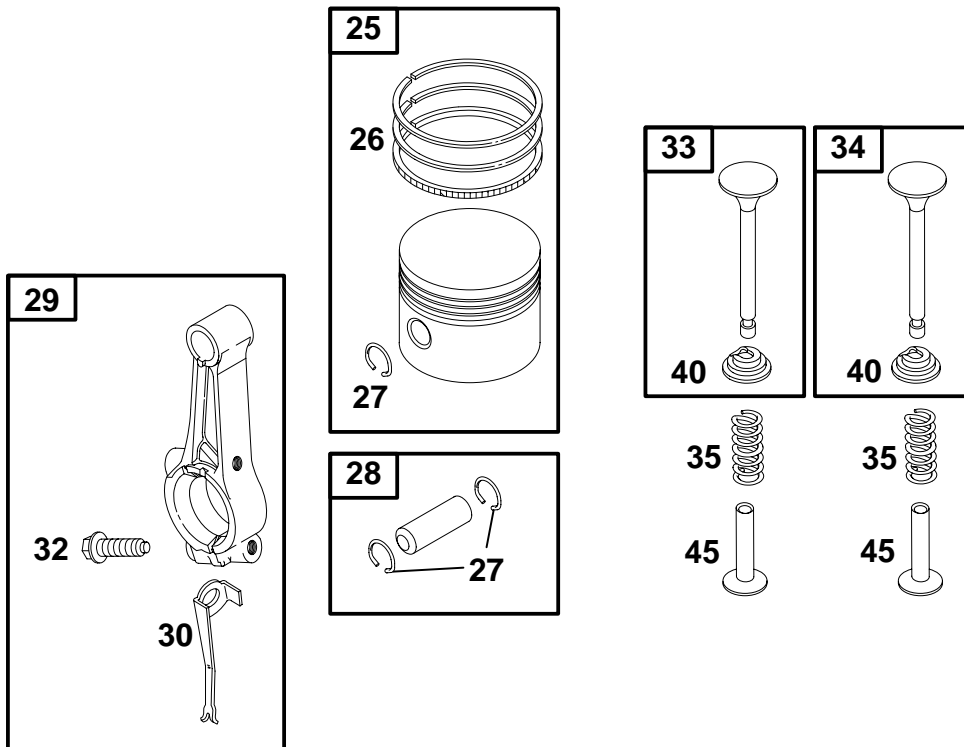


★ **REQUIRES SPECIAL TOOLS TO INSTALL. SEE REPAIR INSTRUCTION MANUAL.**

1019 LABEL KIT **1058 OWNER'S MANUAL**

REF. NO.	PART NO.	DESCRIPTION	REF. NO.	PART NO.	DESCRIPTION	REF. NO.	PART NO.	DESCRIPTION
1	494549	Cylinder Assembly	13	94960	Screw (Cylinder Head)	337	492167	Plug—Spark ———— Note ————
2	399269	Bushing/Seal Kit	14	94737	Stud (Cylinder Head)		802592	Plug—Spark (Resistor Type)
3	★299819	Seal—Oil	15	94916	Plug—Oil Drain (Square Head)	353	225137	Washer (Stop Switch)
5	214277	Head—Cylinder ———— Note ———— 213942 Head—Cylinder (Used Before Code Date 96080100).	15A	94886	Plug—Oil Drain (Socket Head)	383	89838	Wrench—Spark Plug
7	★272694	Gasket—Cylinder Head ———— Note ———— 272536 Gasket— Cylinder Head (Used Before Code Date 96080100).	37	224557	Guard—Flywheel	621	293739	Switch—Stop
8	495774	Breather Assembly	78	94811	Screw (Flywheel Guard)	635	66538	Boot—Spark Plug
9	★27549	Gasket—Breather	306	224555	Shield—Cylinder	869	211172	Seat—Valve (Intake)
10	94719	Screw (Breather)	307	93758	Screw (Cylinder Shield)	870	211291	Seat—Valve (Exhaust)
11	271489	Tube—Breather	308	224556	Cover—Cylinder	871	262001	Bushing—Guide (Exhaust Valve) ———— Note ———— 63709 Bushing—Guide (Intake Valve)
						1019	491069	Label Kit
						1058	272484	Owner's Manual

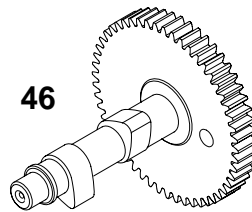
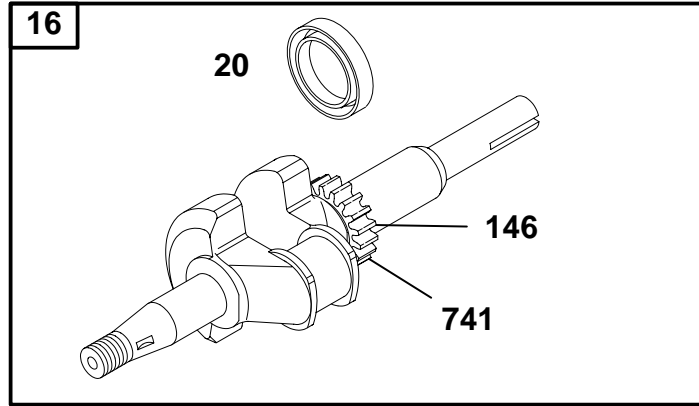
★ Included in Gasket Set—Part No. 495605.



REF. NO.	PART NO.	DESCRIPTION	REF. NO.	PART NO.	DESCRIPTION	REF. NO.	PART NO.	DESCRIPTION
25	498668	Piston Assembly (Standard) Note 498669 Piston Assy. (.010" O.S.) 498670 Piston Assy. (.020" O.S.) 498671 Piston Assy. (.030" O.S.) (Standard)	27	26026	Lock-Piston Pin	30	220670	Dipper-Connecting Rod
			28	298909	Pin-Piston (Standard) Note 298908 Pin-Piston (.005" O.S.)	32	94699	Screw (Connecting Rod)
			29	294367	Rod-Connecting (Standard) Note 296079 Rod-Connecting (.020" Undersize)	33	296676	Valve-Exhaust
26	498680	Ring Set Note 498681 Ring Set (.010" O.S.) 498682 Ring Set (.020" O.S.) 498683 Ring Set (.030" O.S.)				34	296677	Valve-Intake
						35	260552	Spring-Valve
						40	93312	Retainer-Valve
						45	230173	Tappet-Valve

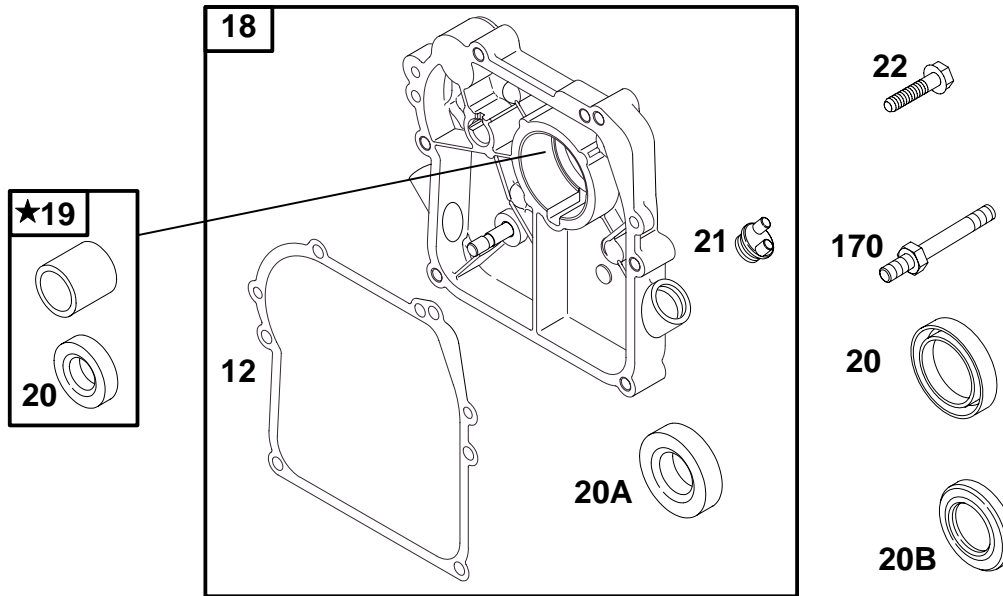
★ Included in Gasket Set-Part No. 495605.

90100 to 90199



REF. NO.	PART NO.	DESCRIPTION	REF. NO.	PART NO.	DESCRIPTION	REF. NO.	PART NO.	DESCRIPTION
16	497232	Crankshaft Note 492880 Crankshaft Used on Type No(s). 0114, 0119, 0123, 0124, 0125.	20	495355	Seal-Oil Used on Model Series 90112, Type No(s) 0004, 0005, 0007, 0022, 0114, 0119, 0120, 0125.	46	493747	Gear-Cam
						146	499047	Key Timing
						357	91539	Key-Drive Pulley
						741	261533	Gear-Timing

★ Included in Gasket Set-Part No. 495605.

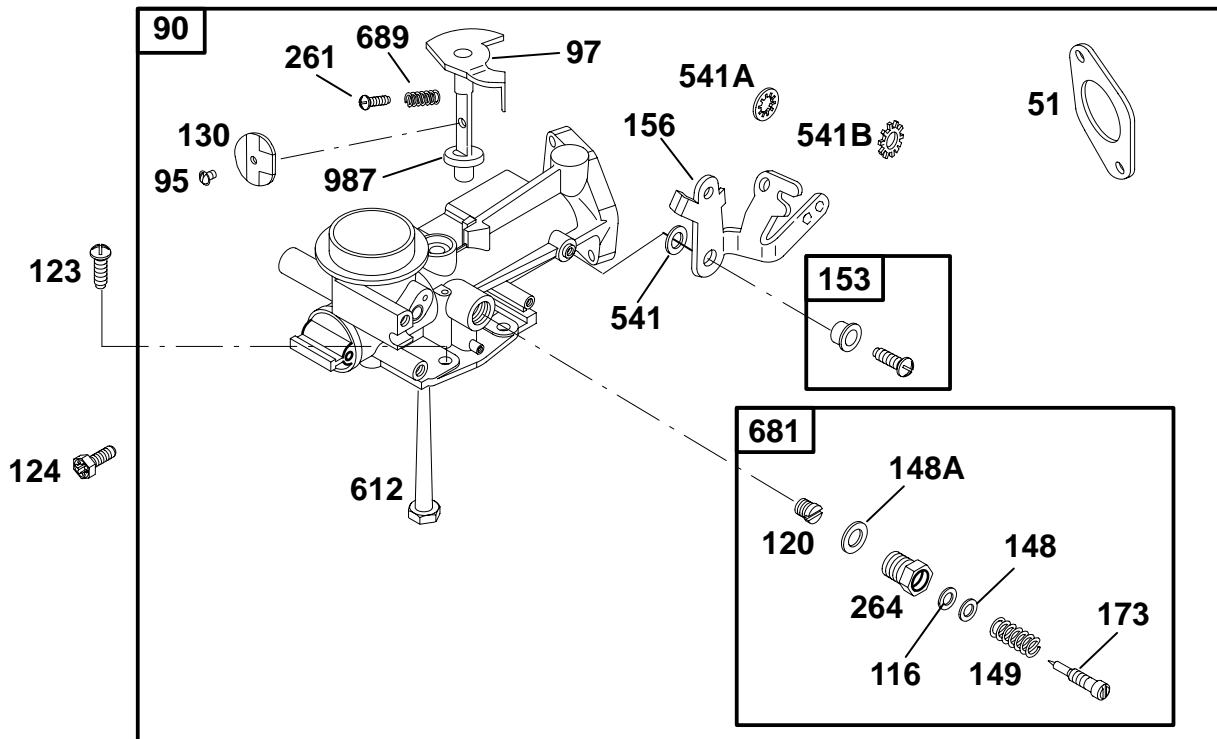


★ **REQUIRES SPECIAL TOOLS TO INSTALL. SEE REPAIR INSTRUCTION MANUAL.**

REF. NO.	PART NO.	DESCRIPTION	REF. NO.	PART NO.	DESCRIPTION	REF. NO.	PART NO.	DESCRIPTION
12	★270833	Gasket-Crankcase (.015" Thick, Standard) ———— Note ———— ★270895 Gasket-Crankcase (.005" Thick) ★270896 Gasket-Crankcase (.009" Thick)	18	394820	Cover-Crankcase ———— Note ———— 496679 Cover-Crankcase Used on Model Series 90112.	20B	392986	Seal-Oil Used on Model Series 90112, Type No(s) 0132.
			19	399269	Bushing/Seal Kit	21	281658	Cap-Oil Fill
			20	495355	Seal-Oil Used on Model Series 90112, Type No(s) 0004, 0005, 0007, 0022, 0114, 0119, 0120, 0125.	22	94682	Screw (Crankcase Cover) ———— Note ———— 94974 Screw (Used in Position 1) Used on Model Series 90112.
			20A	★299819	Seal-Oil	170	94917	Stud (Crankcase Cover) (Used in Position 1) Used on Type No(s). 0015, 0016, 0123, 0124, 0126, 0130.

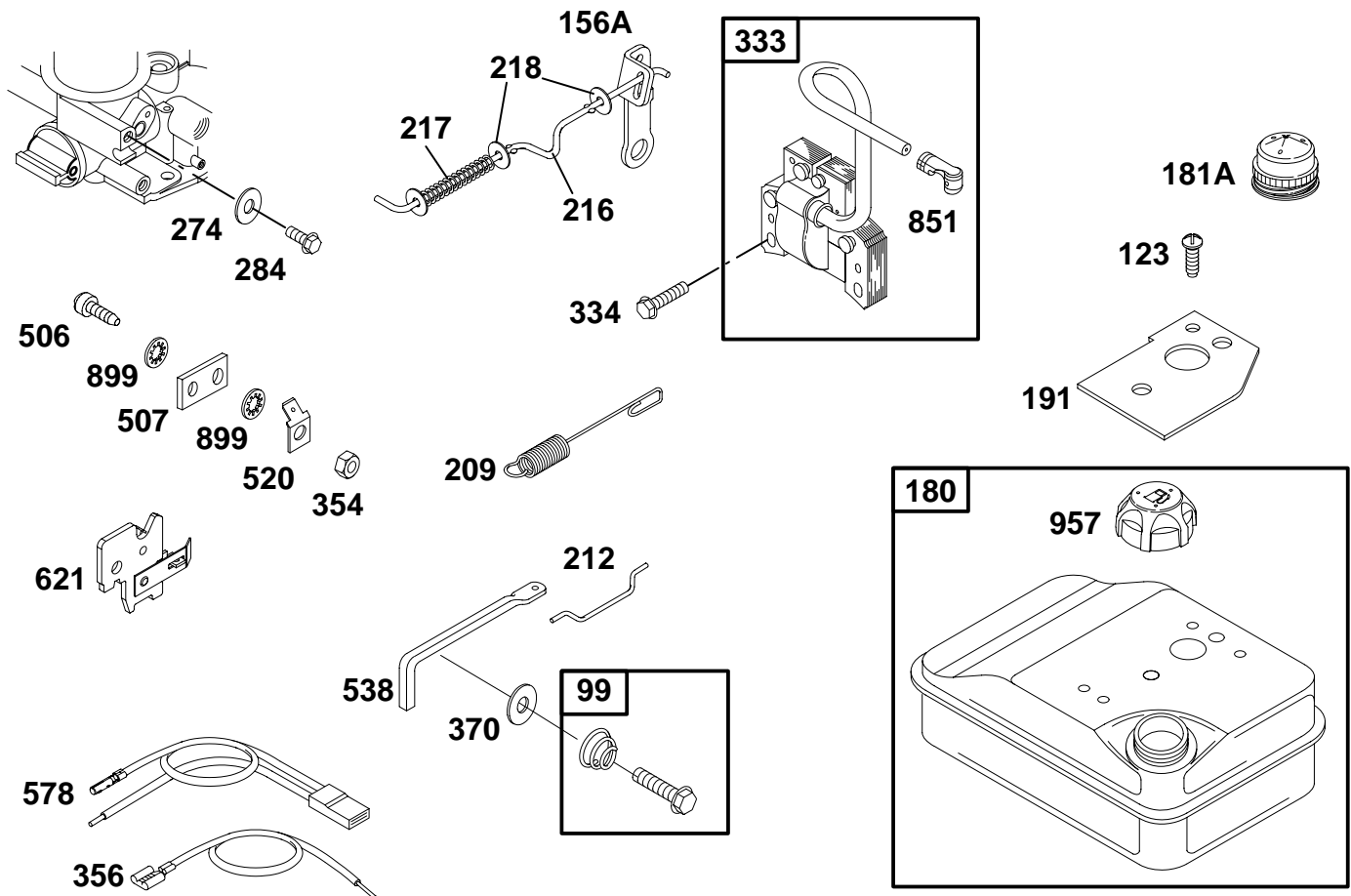
★ Included in Gasket Set-Part No. 495605.

90100 to 90199



REF. NO.	PART NO.	DESCRIPTION	REF. NO.	PART NO.	DESCRIPTION	REF. NO.	PART NO.	DESCRIPTION
51	★27355	Gasket-Intake	116	65978	Seal-O-Ring (Needle Valve)	261	93527	Screw (Idle Speed Adjust)
90	495942	Carburetor	120	230591	Seat-Needle Valve	264	230590	Nut (Valve Adjust)
	Note		123	94712	Screw (Carburetor To Tank)	541	22398	Washer (Speed Adjust Lever)
	495821	Carburetor Used on Type No(s). 0132.	124	94913	Screw (Carburetor Mounting)	541A	92507	Washer (Speed Adjust Lever) Used on Type No(s). 0132.
	Note		130	211286	Valve-Throttle	541B	93397	Washer (Speed Adjust Lever) Used on Type No(s). 0132.
	499149	Carburetor Used on Type No(s). 0016, 0116, 0117, 0123, 0125, 0127, 0129.	148	22235	Washer (Needle Valve)	612	296476	Tube-Pickup
95	93499	Screw (Throttle Valve)	148A	66594	Washer (Needle Valve)	681	299060	Kit-Needle Valve
97	392819	Shaft-Throttle	149	26336	Spring-Needle Valve	689	260575	Spring-Friction
			153	298031	Collar/Screw Kit	987	270167	Seal-Throttle Shaft
			156	222955	Lever-Speed Adjust			
			173	23433	Valve-Idle Adjust			

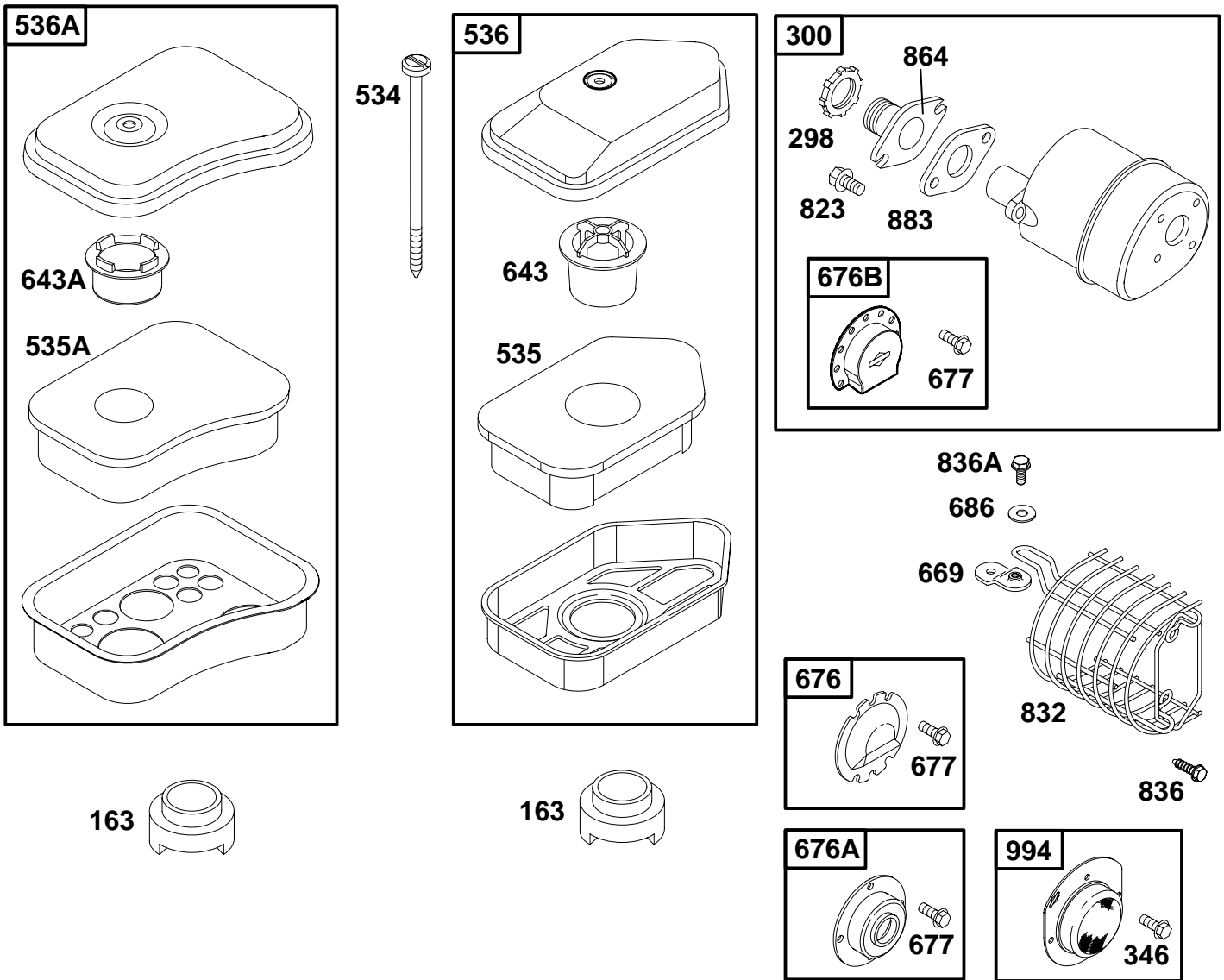
★ Included in Gasket Set-Part No. 495605.



REF. NO.	PART NO.	DESCRIPTION	REF. NO.	PART NO.	DESCRIPTION	REF. NO.	PART NO.	DESCRIPTION
99	490956	Screw/Spring Kit	212	260684	Link-Throttle	356	398808	Wire-Stop
123	94712	Screw	216	260188	Link-Choke	370	66432	Washer
156A	220952	Lever-Speed Adjustment	217	260189	Spring-Choke			(Control Rod)
180	399390	Tank-Fuel	218	220968	Washer (Choke Link)	506	90200	Screw (Terminal)
181	493982	Cap-Fuel Tank	274	66432	Washer (Cable Casing)	507	66895	Insulator
		Note	284	93543	Screw (Cable Casing)	520	93722	Terminal
		396855 Cap-Fuel Tank	333	496914	Armature-Magneto	538	260683	Rod-Control
		Used on Type No(s). 0120.	334	94731	Screw (Armature)	578	497298	Wire Assembly
191	★27404	Gasket-Fuel Tank	354	90576	Nut (Ground Terminal)			Used on Type No(s). 0004, 0005, 0007, 0015, 0016, 0022, 0130.
209	260041	Spring-Governor				621	296110	Switch-Stop
		Note				851	493880	Terminal-Cable
		260662 Spring-Gov. Used on Type No(s). 0016, 0116, 0123.				899	92791	Washer (Terminal)
		261658 Spring-Gov. Used on Type No(s). 0125, 0127, 0129.				957	497929	Cap-Fuel Tank

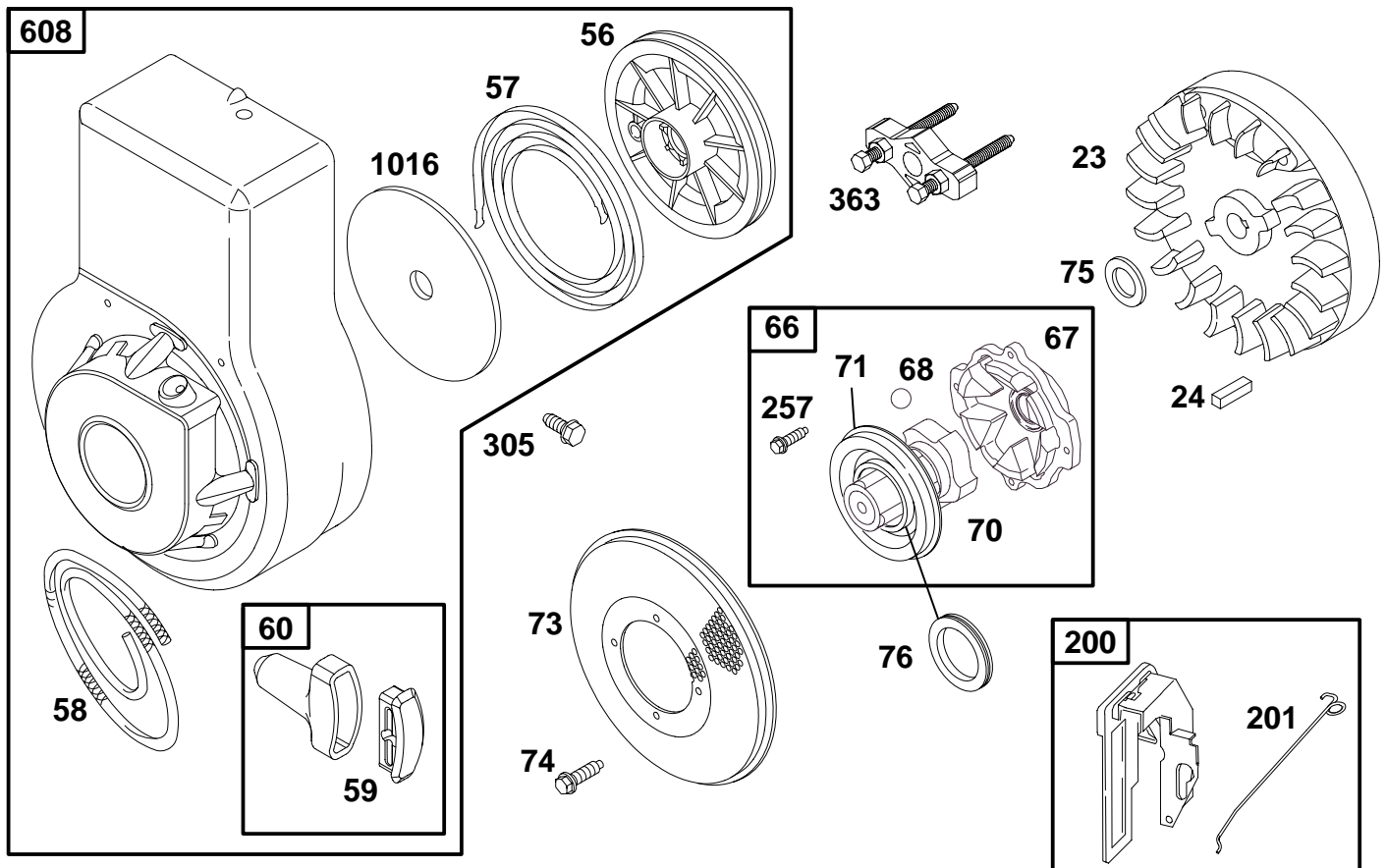
★ Included in Gasket Set-Part No. 495605.

90100 to 90199



REF. NO.	PART NO.	DESCRIPTION	REF. NO.	PART NO.	DESCRIPTION	REF. NO.	PART NO.	DESCRIPTION
163	271755	Gasket–Air Cleaner	643	280972	Retainer–Air Filter	823	94523	Screw (Muffler Adapter)
298	220859	Locknut–Muffler	643A	280374	Retainer–Air Filter	832	493000	Guard–Muffler
300	493288	Muffler–Exhaust	669	224755	Bracket–Muffler Guard	836	94887	Screw (Muffler Guard)
346	94896	Screw (Spark Arrester)	676	393756	Deflector–Muffler	836A	94874	Screw (Muffler Guard)
534	93330	Screw (Air Cleaner)	676A	397931	Deflector–Muffler	864	492232	Adapter–Muffler
535	272235	Filter–A/C Element	676B	393760	Deflector–Muffler	883	*272203	Gasket–Exhaust
535A	27987	Filter–A/C Element	677	94896	Screw (Muffler Deflector)	994	398067	Arrester–Spark
536	493492	Cleaner–Air	686	224026	Washer (Muffler Guard Bracket)			
536A	297036	Cleaner–Air						

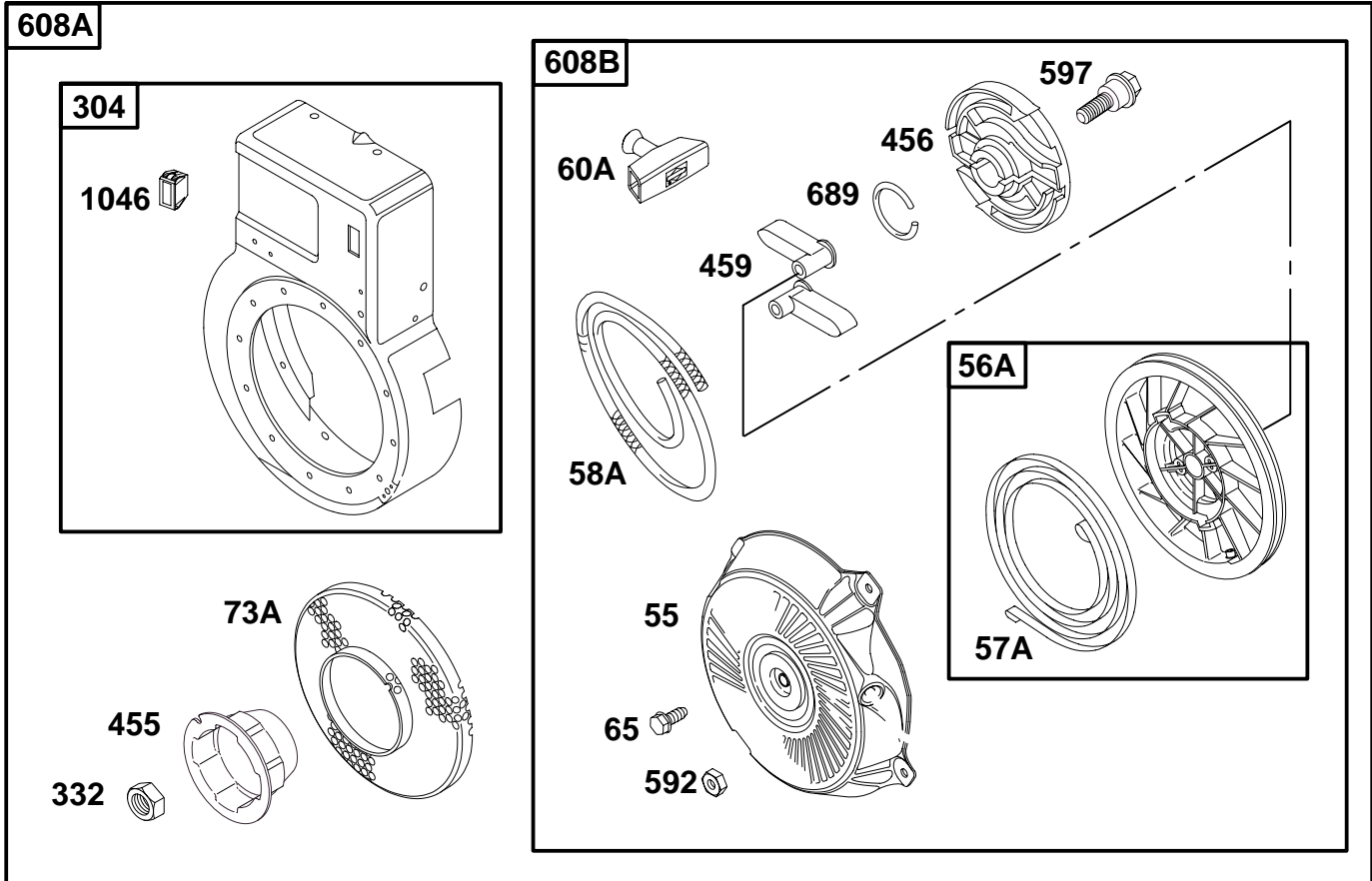
* Included in Gasket Set–Part No. 495605.



REF. NO.	PART NO.	DESCRIPTION	REF. NO.	PART NO.	DESCRIPTION	REF. NO.	PART NO.	DESCRIPTION
23	496278	Flywheel Note 496893 Flywheel Used on Type No(s). 0116, 0117, 0123, 0124, 0126, 0131, 0134.	66	399671	Clutch-Starter	305	94786	Screw (Blower Housing)
24	222698	Key-Flywheel	67	394897	Housing-Clutch	363	19069	Flywheel Puller
56	280439	Pulley-Starter	68	63770	Ball-Clutch	608	498007	Starter-Rewind (10 o'clock) Note 491046 Starter-Rewind (10 o'clock) (Used Before Code Date 95071700). 498002 Starter-Rewind (12 o'clock)
57	490179	Spring-Rewind Starter	70	298799	Ratchet-Clutch	1016	490817	Spacer-Rewind
58	280399	Rope-Starter (Cut To Required Length)	71	394506	Cover-Ratchet			
59	396892	Insert-Grip	73	221661	Screen-Rotating			
60	393152	Grip-Starter Rope	74	93758	Screw (Rotating Screen)			
			75	223047	Washer (Flywheel)			
			76	68238	Seal			
			200	498770	Blade-Governor			
			201	263150	Link-Air Vane			
			257	94680	Screw (Starter Clutch)			

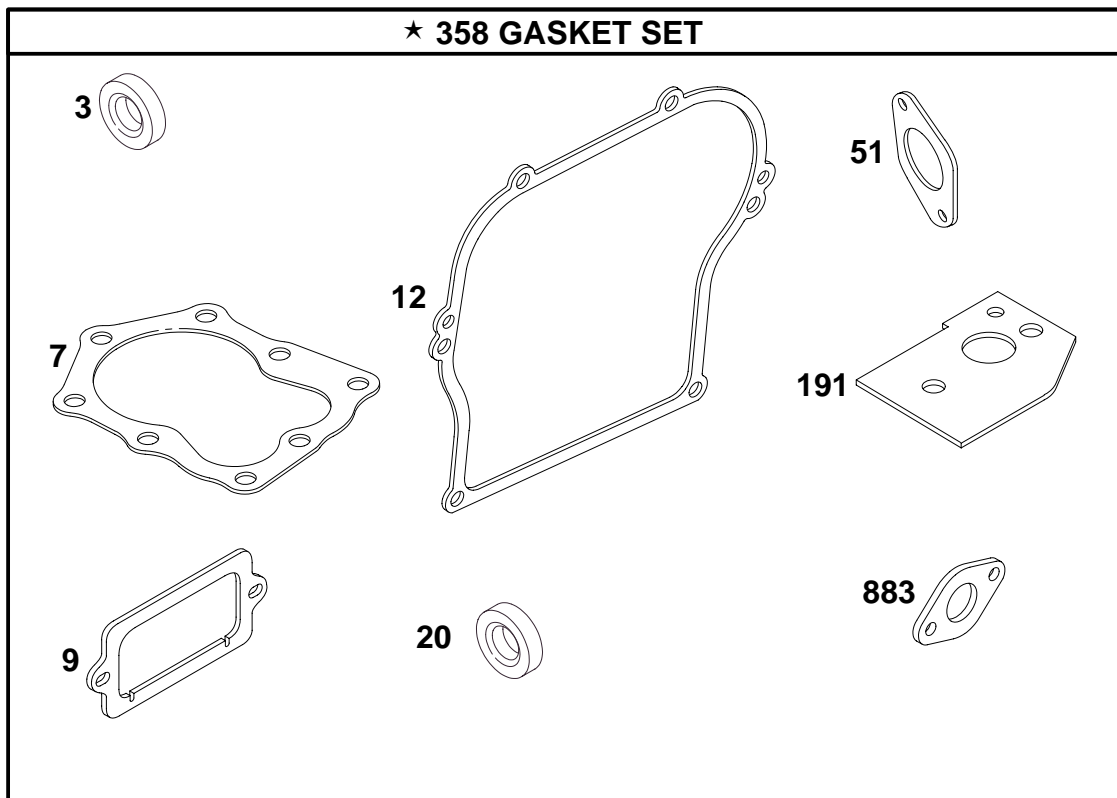
* Included in Gasket Set-Part No. 495605.

90100 to 90199



REF. NO.	PART NO.	DESCRIPTION	REF. NO.	PART NO.	DESCRIPTION	REF. NO.	PART NO.	DESCRIPTION
55	499441	Housing—Rewind Starter	304	692622	Housing—Blower	597	94943	Screw (Rewind Friction Plate)
56A	499901	Pulley—Starter	332	94877	Nut (Flywheel)	608A	690098	Starter—Rewind (Susa Replacement Kit)
57A	263074	Spring—Rewind Starter	455	225502	Cup—Flywheel	608B	690101	Starter—Rewind
58A	280399	Rope—Starter	456	281503	Plate—Pawl Friction	689	263073	Spring—Friction
60A	281101	Grip—Starter Rope	459	281505	Pawl—Ratchet	1046	281412	Plug—Blower Housing
65	94904	Screw (Rewind Starter)	592	94908	Nut (Rewind Starter)			
73A	225381	Screen—Rotating						

★ Included in Gasket Set—Part No. 495605.



REF. NO.	PART NO.	DESCRIPTION	REF. NO.	PART NO.	DESCRIPTION	REF. NO.	PART NO.	DESCRIPTION	
3	★299819	Seal-Oil	12	★270833	Gasket-Crankcase (.015" Thick, Std.)	20	★299819	Seal-Oil	
7	★272694	Gasket-Cylinder Head			Note ———	51	★27355	Gasket-Intake	
9	★27549	Gasket-Breather			★270895	Gasket-Crankcase (.005" Thick)	191	★27404	Gasket-Fuel Tank
					★270896	Gasket-Crankcase (.009" Thick)	358	495605	Gasket Set
							883	★272203	Gasket-Exhaust

★ Included in Gasket Set-Part No. 495605.