

**90700 to 90799**

# Illustrated Parts List

## Model Series

### 90700 to 90799

#### Non-Compliance

#### Compliance

##### TYPE NUMBERS

0015 through 0200  
0202 through 0208  
0211, 0212, 0237,  
0238, 0251, 0261,  
0262.

##### TYPE NUMBERS

3000 and 3006  
3036 through 3141  
3715, 3716, 3718,  
3750 through 3752  
3761.

#### TO FIND

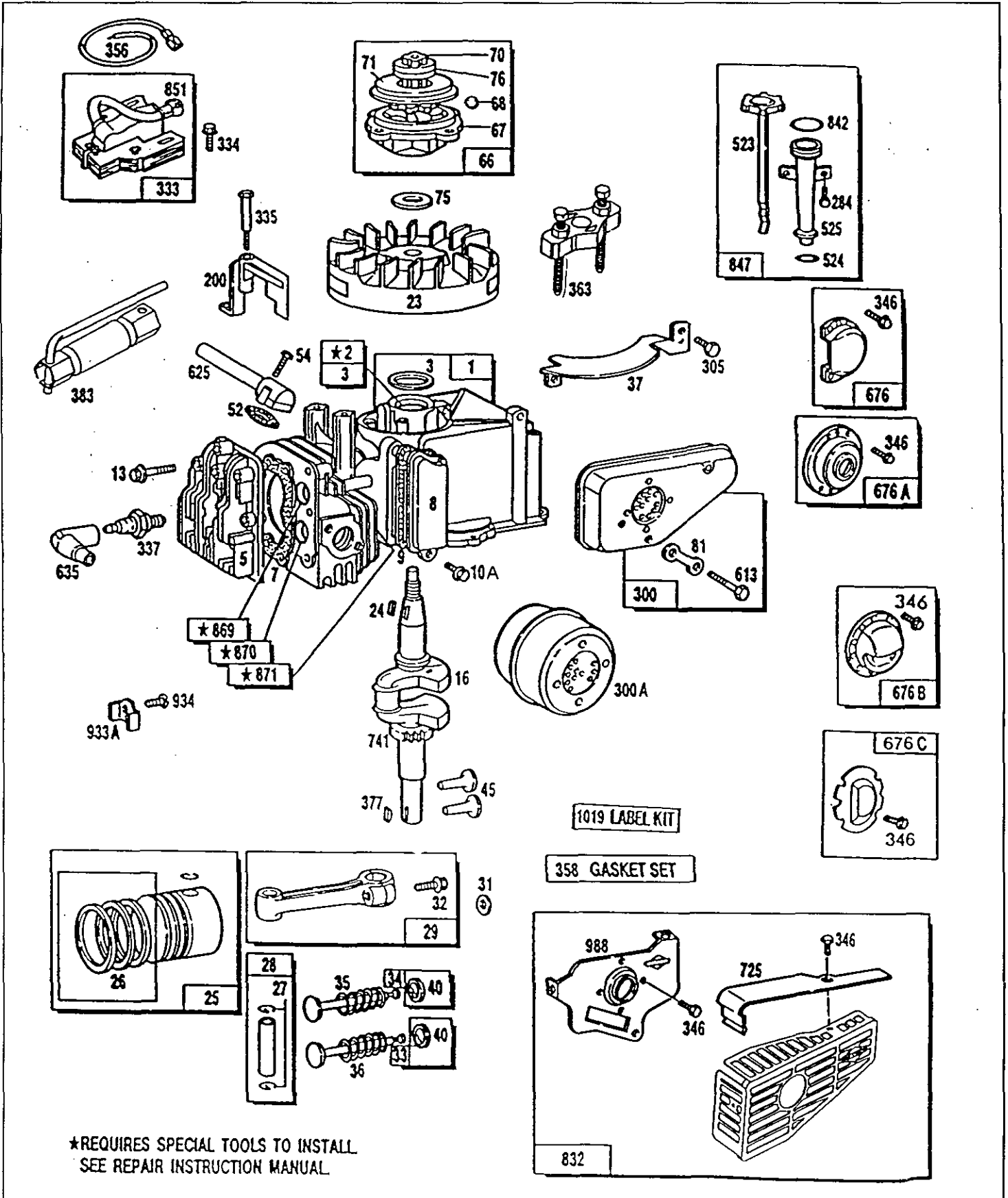
**THE CORRECT NUMBER OF THE PART YOU NEED:**

**FOLLOW THE INSTRUCTIONS BELOW**

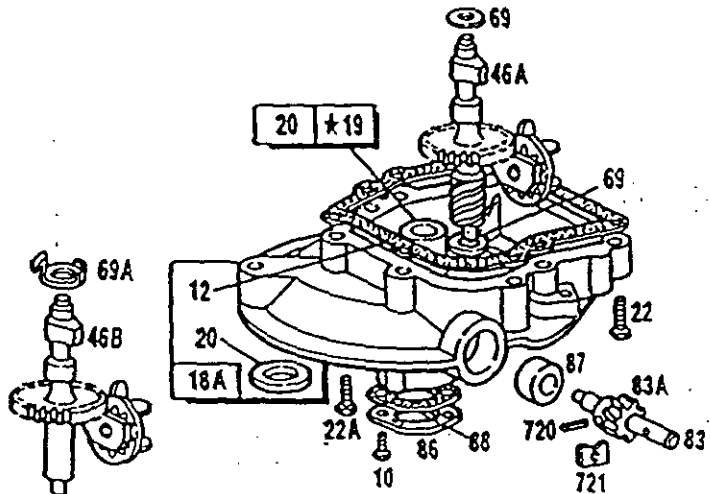
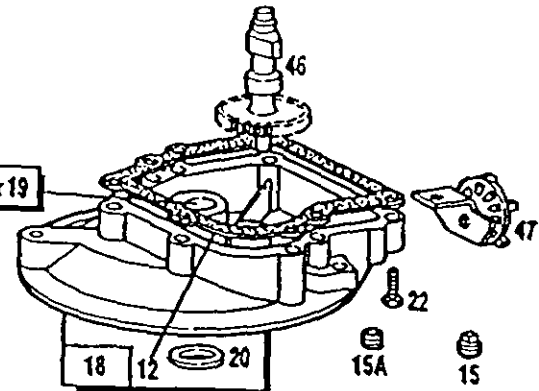
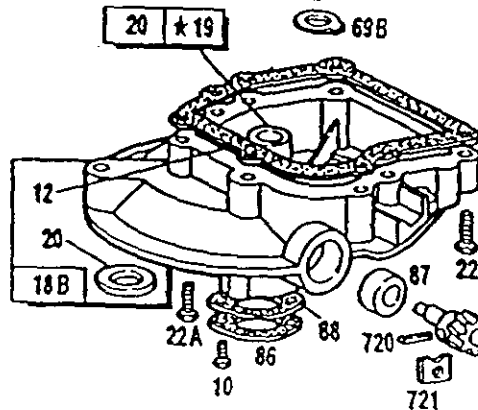
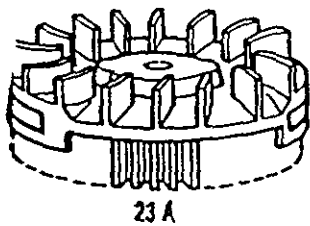
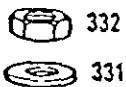
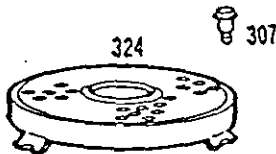
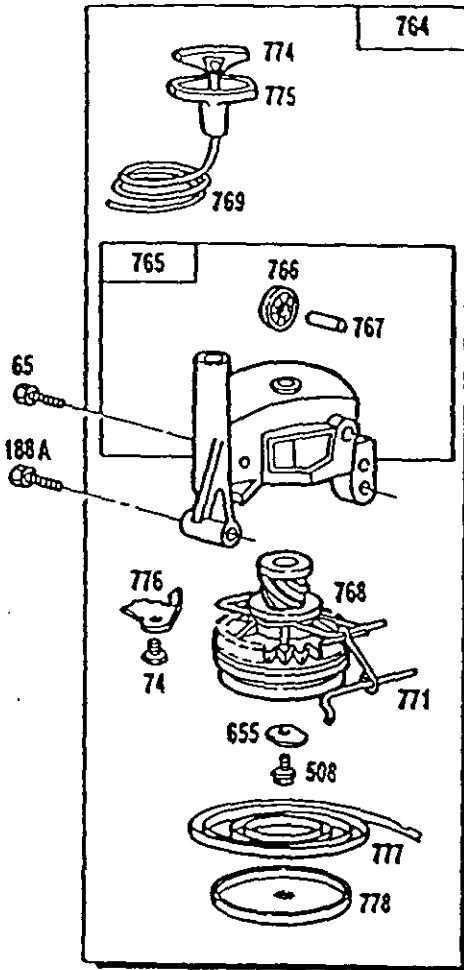
- A. Refer to Engine Model, Type and Code Number that is stamped on the blower housing of engine. Engine type numbers such as 0123 01 are listed only as 0123 in most instances. The two digits (01 or 02, etc.) to the right of the space may be required for more accurate parts identification in some instances. Select the Illustrated Parts List covering the correct Model Series and Type Number.
- B. Refer to the Illustrations and compare the original part with Illustration. The number next to the illustration is the Reference Number. Assemblies include all parts shown in frames. All parts shown in assembly frames having individual reference numbers can be purchased separately.
- C. After the Reference Number has been identified, refer to the Numerical text, where Reference and Primary Part Number are listed. **THE PRIMARY PART IS USED ON ALL TYPE NUMBERS EXCEPT THOSE TYPE NUMBERS UNDER "NOTE."**
- D. If a "Note" appears below the Primary Part Number, it means that this part differs from the Primary Part for certain types. If your Type number is listed under "Note," order the part referred to at the "Note."
- E. If your Engine Type Number does not appear after any part number listed under "Note," use the Primary Part Number.
- F. For Engine Type Numbers not covered by this book, check other Parts Lists having the same engine model or contact your source of supply.

**BRIGGS & STRATTON**

# 90700 to 90799



\*REQUIRES SPECIAL TOOLS TO INSTALL.  
SEE REPAIR INSTRUCTION MANUAL.

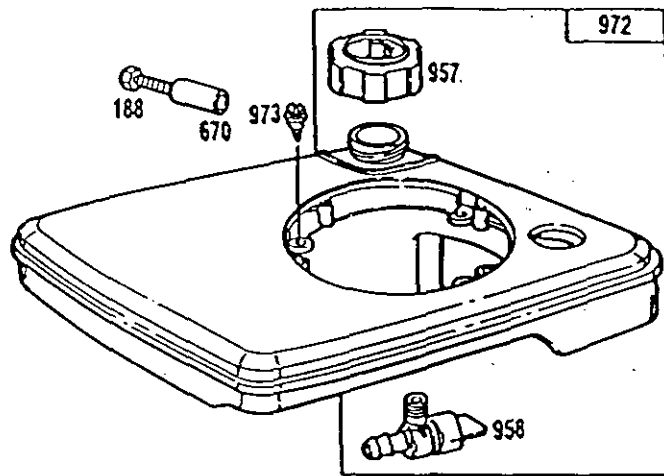


- 906
- 907
- 909
- 908
- 909A
- 909B
- 742
- 69B

998 POWER TRAC KIT

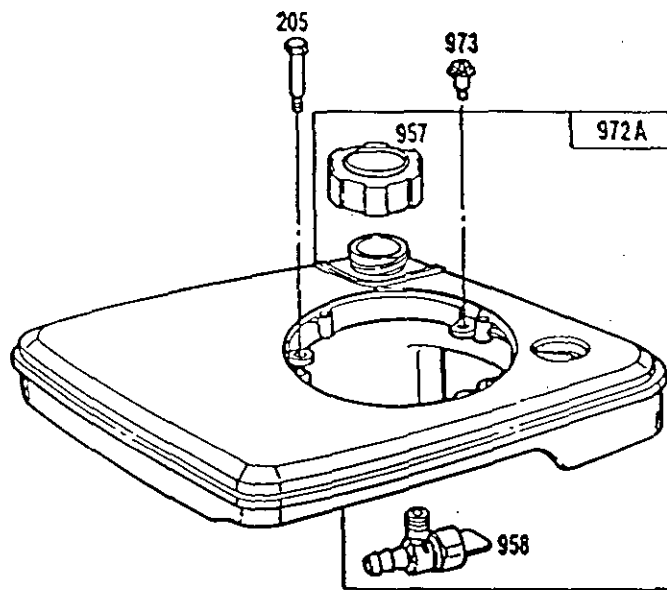
\*REQUIRES SPECIAL TOOLS TO INSTALL  
SEE REPAIR INSTRUCTION MANUAL

# 90700 to 90799



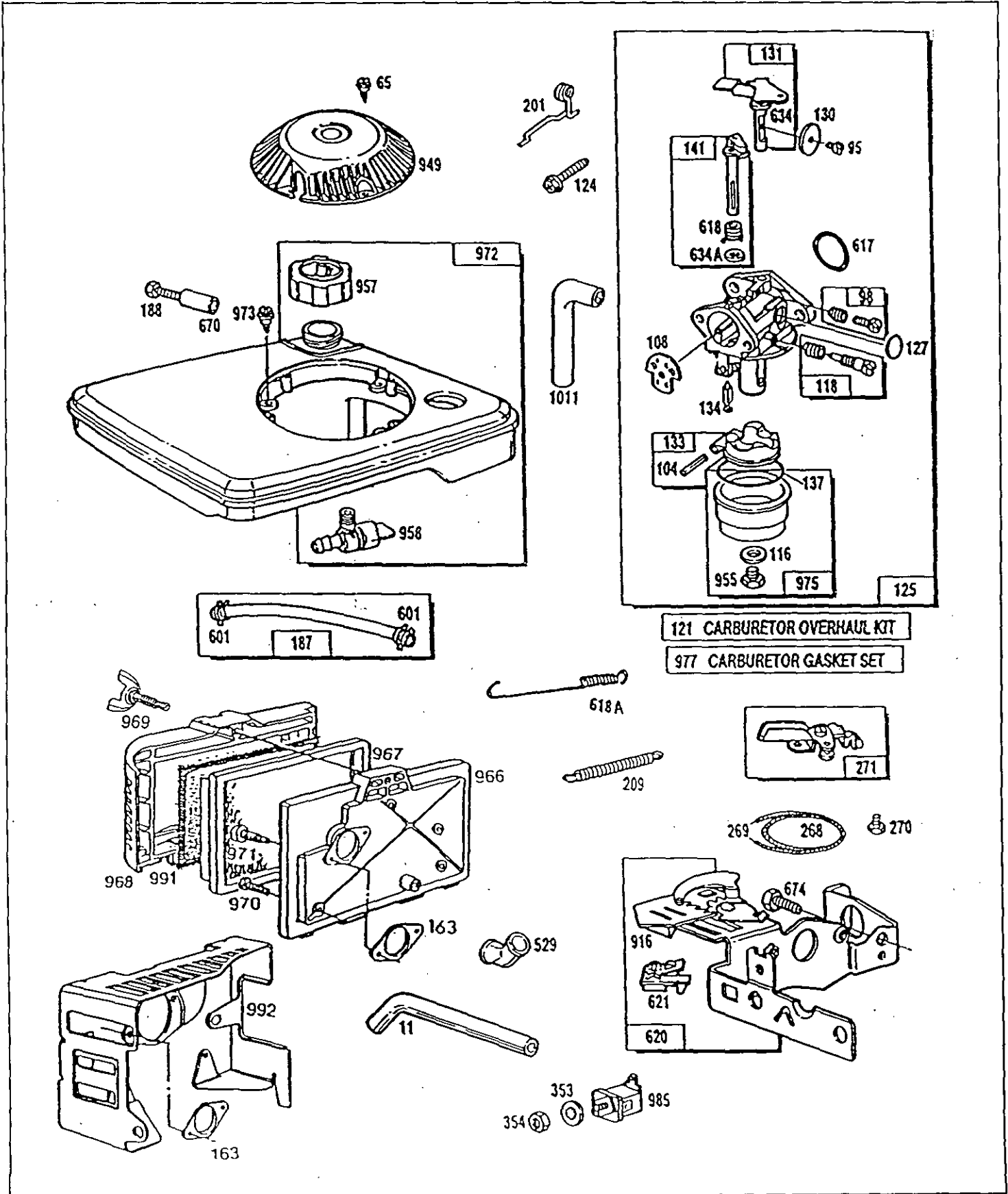
REF. 972  
FUEL TANKS FOR ENGINES WITH REWIND START ONLY

Color	Black	Grey	Amer. Red (I/C®)	Sun Yellow	Light Fawn
Part No.	490622	490808	490806	490804	491045

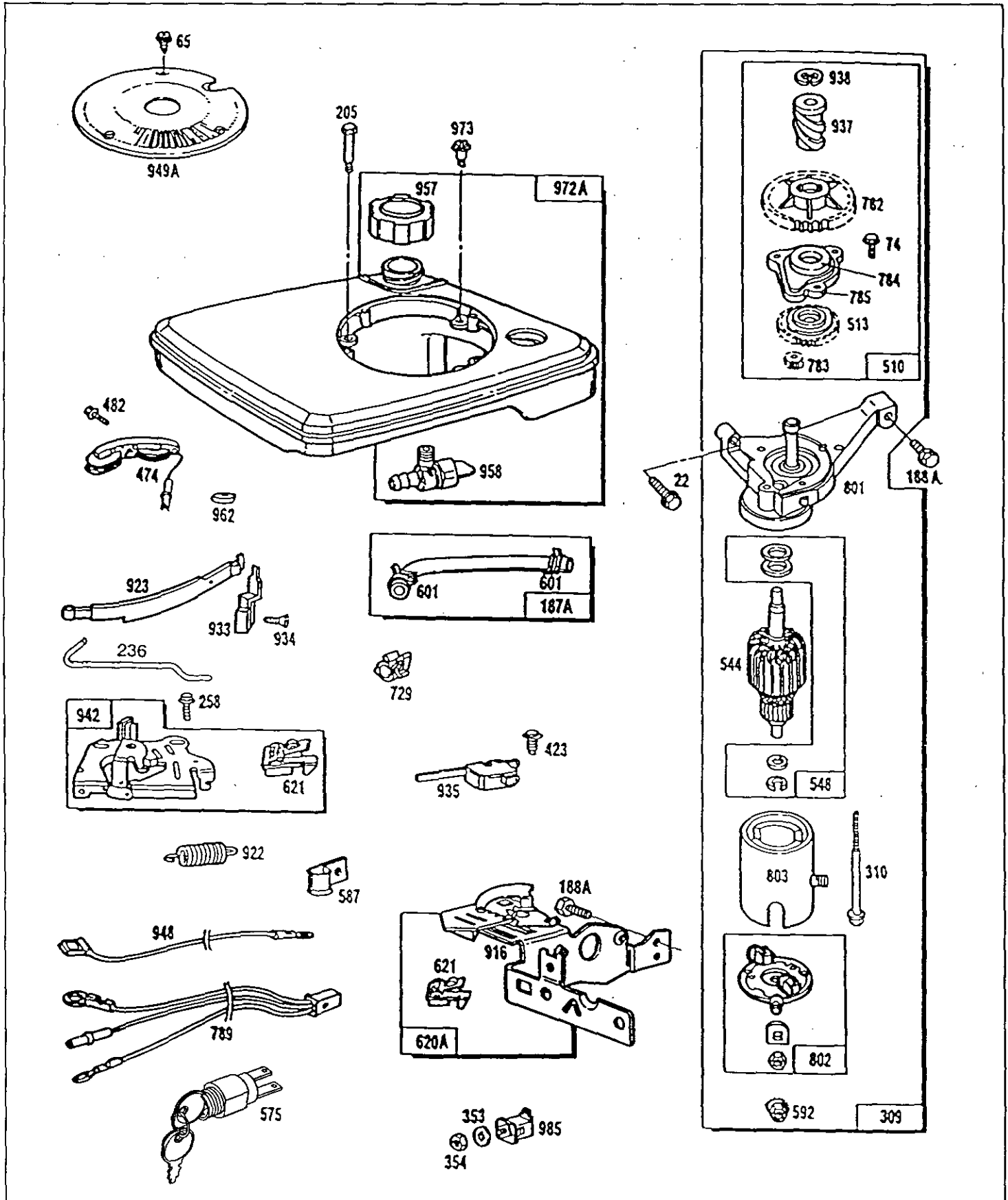


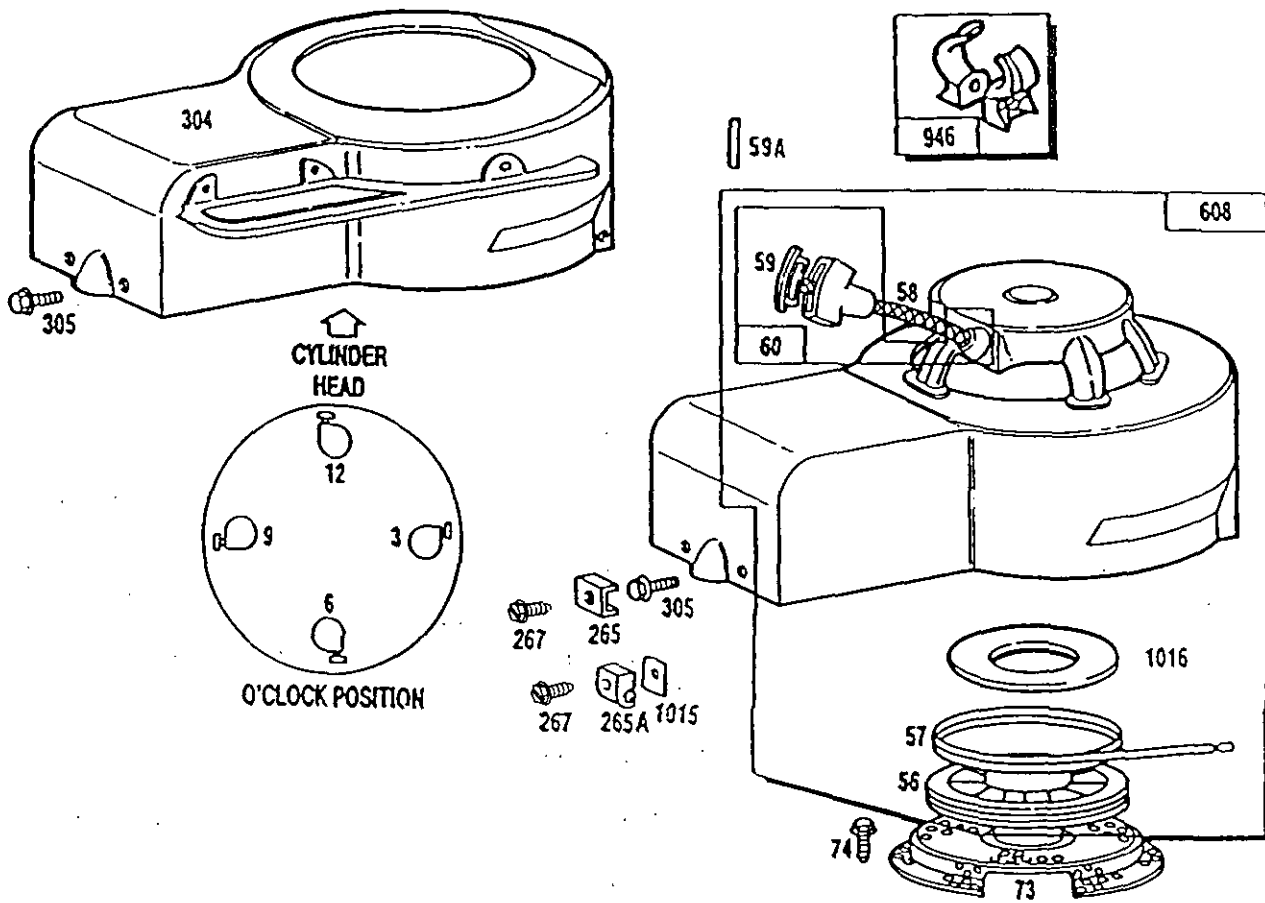
REF. 972A  
FUEL TANKS FOR ENGINES WITH VERTICAL PULL OR ELECTRIC STARTERS.

COLOR	BLACK	GREY	AMER. RED(I/C )	SUN YELLOW	LIGHT FAWN
PART NO.	490623	492879	490805		491134



# 90700 to 90799





REWIND STARTER ASSEMBLIES FOR BAND BRAKE  
CLOCK POSITIONS

ROPE LENGTH	CLOCK POSITIONS					
	1	5	6	9	11	12
82"			*398909			
88-5/8"	490786	399234	*399353	399872	490813	398983

\*For Specials, See Text Ref. 608.

REWIND STARTER ASSEMBLIES FOR NON-BAND-BRAKE  
CLOCK POSITIONS

ROPE LENGTH	CLOCK POSITIONS				
	1:30	3	6	9	12
82"		490709	*398943	398597	490382

\*For Specials, See Text Ref. 608.





# 90700 to 90799

REF. NO.	PART NO.	DESCRIPTION	REF. NO.	PART NO.	DESCRIPTION	REF. NO.	PART NO.	DESCRIPTION
		<b>Note:</b> 394066 Flywheel-Magneto Used on Type Nos. 0015, 0122, 0123, 0150, 0157, 0158, 0165, 0166, 0168, 0175, 0176, 0179, 0196, 0199, 0200, 0208.			260442 Valve-Exhaust (Used Before Code Date 90051400). Used on Type Nos. 3080, 3105, 3120.			0184, 0186, 0187, 0203, 0204, 0207, 0211, 0237, 0251, 3040, 3043, 3059, 3061, 3062, 3063, 3068, 3070, 3086, 3087, 3091, 3094, 3101, 3102, 3104, 3114, 3119, 3125, 3133, 3138, 3750, 3752.
24	222698	Key-Flywheel	34	296677	Valve-Intake	46B	395334	Cam Gear and Oil Slinger Assembly (For Clutch)
25	298904	Piston Assy. (Std.)	35	260552	Spring-Intake Valve	47	491688	Oil Slinger Gear and Bracket
	298905	Piston Assy. (.010" O.S.)	36	26478	Spring-Exhaust Valve	52	*270345	Gasket-Intake Elbow
	298906	Piston Assy. (.020" O.S.)			<b>Note:</b> 262750 Spring-Exhaust Valve (Used After Code Date 90051500).	54	93485	Screw-Intake Elbow Mounting
	298907	Piston Assy. (.030" O.S.)			26826 Spring-Exhaust Valve (Used Before Code Date 90051400). Used on Type Nos. 3080, 3105, 3120.	56	280439	Pulley-Rewind Starter
<b>MODEL 90700 SERIES</b>			37	223150	Guard-Flywheel	57	490179	Spring-Rewind Starter
<b>PISTON RING SETS:</b>			40	93312	Retainer-Valve Spring	58	280406	Rope-Rewind Starter (82" Long)
		<b>Note:</b> For Chrome Piston Ring Set (Standard Size) Order Part No. 299742.			<b>Note:</b> 491442 Rotocoil-Exhaust Valve (Used After Code Date 90051500).			<b>Note:</b> If Longer Rope is Needed, Order No. 280399 and Cut to Required Length. Order 66734 for 48-5/8" Long Rope.
26	298982	Ring Set-Piston (Std.)			292259 Rotocap-Exhaust Valve	59	396892	Insert-Starter Rope
	298983	Ring Set-Piston (.010" O.S.)			230126 Pin-Exhaust Valve Rotocap Retainer	59A	230228	Pin-Starter Grip
	298984	Ring Set-Piston (.020" O.S.)			230127 Retainer-Exhaust Valve Rotocap (Used Before Code Date 90051400). Used on Type Nos. 3080, 3105, 3120.	60	393152	Grip-Starter Rope
	298985	Ring Set-Piston (.030" O.S.)	45	230173	Tappet-Valve	65	94058	Screw-Guard Mounting
27	26026	Lock-Piston Pin	46	493747	Gear-Cam (Plastic)	65A	93587	Screw-Vertical Pull Starter Mounting
28	298909	Pin Assembly-Piston (Standard)			<b>Note:</b> 394800 Gear-Cam (Metal)	66	399671	Clutch Assembly-Rewind Starter
	298908	Pin Assembly-Piston (.005" O.S.)	46A	396197	Cam Gear, Worm and Oil Slinger Assembly (Clockwise)	67	394897	Housing-Starter Clutch
29	294201	Rod Assy.-Connecting			<b>Note:</b> 395317 Cam Gear, Worm and Oil Slinger Assembly (Counterclockwise) Used on Type Nos. 0051, 0052, 0067, 0111, 0124, 0139, 0140, 0141, 0144,	68	63770	Ball-Clutch
		<b>Note:</b> For Connecting Rod With .020" Undersize Crankpin Bore-Order No. 296079.				69	68938	Washer-Thrust
31	222282	Washer-Connecting Rod Screw (One For Each Screw)				69A	223225	Washer-Clip
32	94404	Screw-Connecting Rod				69B	223228	Washer-Thrust
33	296676	Valve-Exhaust				70	298799	Ratchet-Rewind Starter
		<b>Note:</b> 262581 Valve-Exhaust (Used After Code Date 90051500).				71	394506	Washer-Clutch Retainer
						73	221661	Screw-Rewind Starter
						74	+93490	Screw-Sem
						75	224061	Washer-Spring
						76	68238	Washer-Ratchet Sealing

\* Included in Gasket Set-Part No. 298989.

◆ Included in Carburetor Gasket Kit-Part No. 490937.

● Included in Carburetor Overhaul Kit-Ref. No. 121.  
+ Included in Starter Drive Kit-See Part No. 395727.



## 90700 to 90799

REF. NO.	PART NO.	DESCRIPTION	REF. NO.	PART NO.	DESCRIPTION	REF. NO.	PART NO.	DESCRIPTION
	0175, 3006, 3036, 3052, 3075, 3136.			<b>261320</b>	Spring-Gov. Used on Type Nos. 0015, 0100, 0103, 0114, 0115, 0126, 0132, 0134, 0135, 0137, 0154, 0166, 0168, 0174, 0176, 0179, 0194, 0196, 0197, 0199, 0205, 0208, 3000, 3069, 3077, 3110, 3120, 3131, 3135.			Needed, Order No. <b>66986</b> and Cut to Required Length.
	<b>260877</b> Spring-Gov. Used on Type Nos. 0120, 0121, 0149, 0162, 0163, 0167, 0171, 0175, 3052, 3075, 3136.			<b>261948</b> Spring-Gov. Used on Type Nos. 0025, 0026, 0050, 0051, 0052, 0053, 0141, 0147, 0148, 0159, 0164, 0165, 0169, 0172, 0178, 0180, 0181, 0183, 0186, 0190, 0193, 0195, 3037, 3042, 3043, 3049, 3050, 3051, 3057, 3058, 3063, 3066, 3067, 3071, 3072, 3073, 3076, 3079, 3081, 3083, 3085, 3087, 3089, 3090, 3091, 3093, 3095, 3097, 3099, 3100, 3101, 3102, 3107, 3113, 3114, 3115, 3116, 3122, 3123, 3125, 3126, 3127, 3130, 3137, 3138, 3715, 3716, 3718, 3750, 3751, 3752.		<b>269</b>	<b>26099</b>	Wire Control (54" Long) <b>Note:</b> If Longer Wire is Needed, Specify Length in Inches; if Shorter Wire is Needed, Order No. <b>26099</b> and Cut to Required Length.
	<b>261060</b> Spring-Gov. Used on Type Nos. 0119, 0123, 0150, 0161, 0177, 0200, 0203, 0211, 3056, 3080, 3092, 3094, 3104, 3105, 3117, 3118, 3119, 3134.			<b>261061</b> Spring-Gov. Used on Type Nos. 0162, 0163, 0166, 0179.		<b>270</b>	<b>63426</b>	Locknut-Control Wire Casing
	<b>261105</b> Spring-Gov. Used on Type Nos. 0065, 0067, 0071, 0072, 0112, 0113, 0116, 0117, 0118, 0124, 0125, 0131, 0139, 0142, 0151, 0153, 0157, 0158, 0170, 0173, 0184, 0187, 0189, 0198, 0202, 0212, 0237, 0238, 0251, 0261, 3044, 3053, 3054, 3055, 3059, 3060, 3061, 3065, 3078, 3082, 3084, 3086, 3088, 3096, 3098, 3106, 3108, 3109, 3111, 3112, 3121, 3128, 3129, 3761.		<b>217</b>	<b>261520</b>	Spring-Return (Clutch Lever)	<b>271</b>	<b>290568</b>	Lever Assy.-Control
	<b>261106</b> Spring-Gov. Used on Type Nos. 0140, 0144, 0145, 0152, 0156, 0160, 0185, 0201, 0204, 3038, 3039, 3040, 3045, 3047, 3048, 3062, 3068, 3070, 3132, 3133.		<b>236</b>	<b>262461</b>	Link-Brake Lock-Out	<b>284</b>	<b>94073</b>	Screw-Clamp Mtg.
			<b>258</b>	<b>94018</b>	Screw-Hex. Hd.	<b>300</b>	<b>394644</b>	Muffler-Exhaust
			<b>265</b>	<b>221535</b>	Clamp-Casing	<b>300A</b>	<b>394569</b>	Muffler-Exhaust
			<b>265A</b>	<b>213146</b>	Clamp-Casing	<b>304</b>	<b>398494</b>	Housing-Blower Used on Model 90707, 90708, 90787 and 90788 Series Engines <b>Without</b> Band Brake. <b>Note:</b> <b>398493</b> Housing-Blower Used on Model 90708 and 90788 Series Engines <b>With</b> Band Brake.
			<b>267</b>	<b>94694</b>	Screw-Clamp Mtg.	<b>305</b>	<b>94153</b>	Screw-Blower Housing Mounting Sem
			<b>268</b>	<b>66986</b>	Casing-Control Wire (48" Long) <b>Note:</b> If Longer Casing is Needed, Specify in Length Inches; if a Shorter Casing is	<b>307</b>	<b>93490</b>	Screw-Mounting Sem
						<b>309</b>	<b>398635</b>	Motor-Starter (12 Volt)
						<b>310</b>	<b>94051</b>	Bolt-Starter Motor
						<b>324</b>	<b>223006</b>	Screen-Rotating
						<b>331</b>	<b>223047</b>	Washer-Flywheel
						<b>332</b>	<b>92284</b>	Nut-Flywheel
						<b>333</b>	<b>398593</b>	Armature-Magneto
						<b>334</b>	<b>93381</b>	Screw-Armature Mtg.
						<b>335</b>	<b>93435</b>	Screw-Armature and Governor Blade Mtg.
						<b>337</b>	<b>298809</b>	Plug-Spark (1-1/2" High, 38 mm) <b>Note:</b> <b>293918</b> Plug-Spark (1-1/2" High, 38 mm) (Resistor Type) <b>492167</b> Plug-Spark (1-7/8" High, 48 mm) <b>802592</b> Plug-Spark (1-7/8" High, 48 mm) (Resistor Type)
						<b>346</b>	<b>93705</b>	Screw-Hex. Hd.

★ Included in Gasket Set-Part No. 298989.

◆ Included in Carburetor Gasket Kit-Part No. 490937.

● Included in Carburetor Overhaul Kit-Ref. No. 121.  
+ Included in Starter Drive Kit-See Part No. 395727.

# 90700 to 90799

REF. NO.	PART NO.	DESCRIPTION	REF. NO.	PART NO.	DESCRIPTION	REF. NO.	PART NO.	DESCRIPTION
353	92791	Washer-Lock		399125	Starter Assy.- Rewind (6 o'clock) (For Electric Start) Used on Type Nos. 0119, 0121, 0125, 0138, 0139, 0141, 0149, 0171, 0176, 0177, 0183, 0187, 0193, 0195.	620A	398652	Plate-Carburetor Control Used on Model 90707, 90708, 90787 and 90788 Series Engines.
354	90576	Nut-Hex.						<b>Note:</b> 492388 Plate- Carburetor Control Used on Type Nos. 3117, 3134.
356	398808	Wire-Ground						
358	298989	Gasket Set						
363	19069	Puller-Flywheel						
377	93065	Key-Woodruff No. 6						
383	89838	Wrench-Spark Plug						
423	93758	Screw-Sem						
474	397880	Stator Assembly-Alt.						
482	94016	Screw-Hex. Hd.		399234	Starter Assy.- Rewind (5 o'clock) Used on Type Nos. 3106, 3108, 3109, 3111, 3112, 3121, 3129.	621	396847	Switch-Stop
508	93158	Screw-Sem				625	398360	Tube-Fuel Intake
510	395727	Drive Kit-Starter				634	♦♦	Washer-Throttle Shaft (Available in Kit Only).
513	+394815	Clutch Assembly- Electric Starter				634A	♦♦	Seal-Choke Shaft (Available in Kit Only).
523	398012	Cap With Dipstick- Oil Filler Used on Model 90702 and 90782 Series Engines.		490091	Starter Assy.- Rewind (12 o'clock) (For Electric Start) Used on Type No. 3761.	635	66538	Elbow-Spark Plug
	<b>Note:</b> 398033	Cap With Dipstick-Oil Filler Used on Model 90707, 90708, 90787 and 90788 Series Engines.		491376	Starter Assy.- Rewind (12 o'clock) (For Electric Start) Used on Type Nos. 0158, 0167, 0169, 0212.	655	222057	Anchor-Spring
524	*271485	Seal-Filler Tube		492508	Starter Assy.- Rewind (6 o'clock) Used on Type No. 0185.	670	280512	Spacer-Fuel Tank
525	280504	Tube-Oil Filler Used on Model 90702 and 90782 Series Engines.		493707	Starter Assy.- Rewind (12 o'clock) Used on Type No. 0200.	674	94117	Screw-Tank to Bracket
	<b>Note:</b> 280508	Tube-Oil Filler Used on Model 90707, 90708, 90787 and 90788 Series Engines.				676	393760	Deflector-Exhaust
529	280524	Grommet-Breather	613	93935	Screw-Muffler Mtg.	676A	397931	Deflector-Exhaust
544	398636	Armature-Starter	617	♦♦270344	Seal-Fuel Intake Tube	676B	396548	Deflector-Exhaust
548	396067	Washer Set-Starter Motor	618	262035	Spring-Choke Return	676C	393756	Deflector-Exhaust
575	396291	Switch-Ignition <b>Includes:</b> 392832 Key Set	618A	260870	Spring-Choke Return (For Snap-Over Choke)	720	93474	Pin-Gear to Shaft
587	220162	Clip-Shield Grounding				721	221779	Stop-Drive Shaft
592	93991	Nut-Hex.				725	223725	Shield-Heat
601	93053	Clamp-Hose				729	280470	Clip-Wire
608		Starter Assy.-Rewind (See Chart on Illustrated Pages.) <b>Note:</b> 398909 Starter Assy.- Rewind (6 o'clock) (For Electric Start) Used on Type Nos. 3117, 3118, 3134.				741	261533	Gear-Timing
						742	93525	Ring-Retaining
						742A	93925	Ring-Retaining (Clutch Lever)
						764	398753	Starter Assembly- Vertical Pull
						765	398683	Housing-Vertical Pull Starter
						766	280022	Pulley-Rope (Small)
						767	231048	Pin-Small Rope Pulley (7/16" Long)
						768	395870	Pulley and Gear Assembly-Starter
						769	66734	Rope-Vertical Pull Starter (48-5/8") <b>Note:</b> 280406 Rope-Vertical Pull Starter (82" Long)
						771	299961	Clip-Vertical Pull Starter
						774	280121	Insert-Starter Handle
						775	280036	Grip-Starter Rope
						776	222049	Guide-Rope
						777	390066	Spring-Vertical Pull Starter

\* Included in Gasket Set-  
Part No. 298989.

♦ Included in Carburetor Gasket Kit-  
Part No. 490937.

♦♦ Included in Carburetor Overhaul Kit-  
Ref. No. 121.  
+ Included in Starter Drive Kit-  
See Part No. 395727.

## 90700 to 90799

REF. NO.	PART NO.	DESCRIPTION	REF. NO.	PART NO.	DESCRIPTION	REF. NO.	PART NO.	DESCRIPTION
778	280021	Cover-Vertical Pull Starter Pulley	871	231348	Guide-Exhaust Valve			3761.
782	+280038	Gear-Electric Starter Spur			<b>Note:</b> 63709 Guide-Intake Valve			280571 Cover-Finger Gard
783	+261606	Gear-Electric Starter Pinion	906	261650	Spring-Torsion			Used on Type Nos. 0119, 0121, 0125, 0138, 0139, 0141, 0149, 0171, 0177, 0183, 0193, 0195; 3041, 3118.
784	+223123	Cóver-Electric Starter Clutch Gear	907	394871	Sleeve Assy.-Clutch			
785	+271457	Gasket-Electric Starter Clutch Gear Cover	908	231220	Gear-Worm			
789	397916	Harness-Wiring			<b>Note:</b> 231219 Gear-Worm Used on Type Nos. 0118, 0119.	949A	280510	Cover-Finger Gard Used on Model 90708 and 90788 Series Engines.
		<b>Note:</b> 397637 Harness-Wiring Used on Type Nos. 3036, 3041, 3117, 3118, 3761.	909	271417	Washer-Thrust			
801	398244	Bracket Assembly-Drive End	909A	271418	Washer-Thrust			<b>Note:</b> 280509 Cover-Finger Gard Used on Engines With Electric Start Only.
802	396061	Cap Assembly-End	909B	271312	Washer-Thrust			
803	396059	Housing-Starter	910	394051	Lever Assy.-Clutch			
832	493967	Guard-Muffler (Used After Code Date 90031200).	911	223009	Control Bracket-Clutch			
		<b>Note:</b> 399637 Guard-Muffler (Used Before Code Date 90031100).	914	93970	Screw-Bracket			
842	270920	Seal-Oil Filler Cap	916	280993	Rack-Gear (Used After Code Date 89033100).	955	231373	Screw-Bowl Mtg.
847	398010	Tube Assy.-Oil Fill Used on Model 90702 and 90782 Series Engines.			<b>Note:</b> 280522 Rack-Gear (Used Before Code Date 89040100).	957	397974	Cap Assembly-Fuel
		<b>Note:</b> 398031 Filler Group-Oil Used on Model 90707, 90708, 90787 and 90788 Series Engines	922	261647	Spring-Band Brake	958	399517	Valve-Fuel Shut-Off
851	221798	Terminal-Ignition Cable	923	394867	Brake Assembly-Band	962	231277	Bushing
869	211172	Seat-Intake Valve (Standard) (Used After Code Date 88070100).	933	223448	Pivot-Band Brake	966	399059	Base-Air Cleaner
		<b>Note:</b> 210879 Seat-Intake Valve (Used Before Code Date 88063000).	933A	223278	Spacer			<b>Note:</b> 492650 Base-Air Cleaner Used on Type No. 0193.
870	211291	Seat-Exhaust Valve (Standard)	934	94037	Screw-Machine	967	397795	Filter-Air
		<b>Note:</b> For Installation and Options, See Repair Manual.	935	398758	Starter-Switch	968	280501	Cover-Air Cleaner
			937	+280366	Spline-Starter	969	94173	Screw-Cover Mtg.
			938	93941	Ring-Retainer	970	94118	Screw-Hex. Head
			942	493248	Control Plate-Band Brake	971	94121	Screw-Air Cleaner Tank Assembly-Fuel
					<b>Note:</b> 493249 Control Plate-Band Brake Used on Model 90707 and 90787 Series Engines.	972		Tank Assembly-Fuel <b>See Illustrated Pages.</b>
			946	396526	Rope Guide Kit	972A		Tank Assembly-Fuel <b>See Illustrated Pages.</b>
			948	397803	Wire Assembly	973	94114	Screw-Hex. Head
			949	280502	Cover-Finger Gard (Rewind) Used on Model 90702 and 90782 Series Engines.	975	398191	Bowl Assy.-Carburetor
					<b>Note:</b> 280511 Cover-Finger Gard Used on Type Nos. 0158, 0167, 0169,	977	490937	Gasket Set-Carburetor
						985	398525	Insulator Assembly
						988	223600	Bracket-Muffler Guard
						991	399039	Pre-Filter Assembly
						992	223596	Shroud-Air Cleaner
						998	399634	Power Trac Kit
						1011	280786	Tube-Vent
						1015	223649	Plate-Casing Clamp
						1016	490817	Spacer
						1019	491080	Label Kit

\* Included in Gasket Set-Part No. 298989.

• Included in Carburetor Gasket Kit-Part No. 490937.

• Included in Carburetor Overhaul Kit-Ref. No. 121.  
+ Included in Starter Drive Kit-See Part No. 395727.



**BRIGGS & STRATTON**

®