

91200

Illustrated Parts List

Model Series

91200

TYPE NUMBERS
0002 through 1388.

TABLE OF CONTENTS

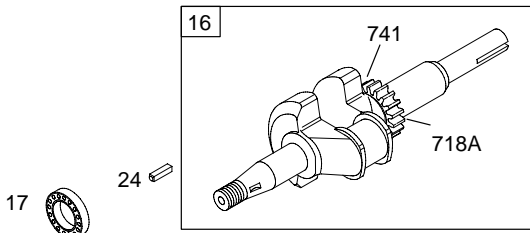
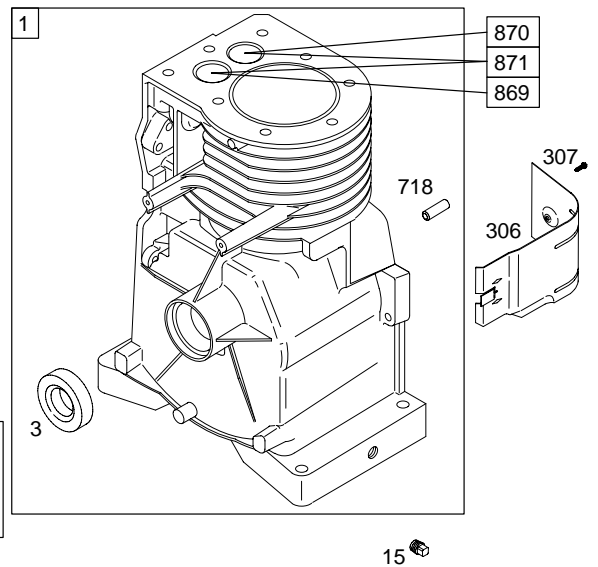
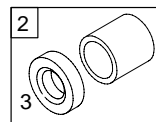
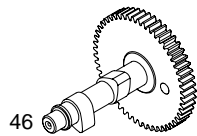
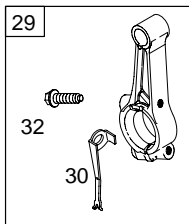
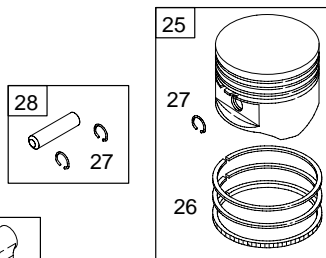
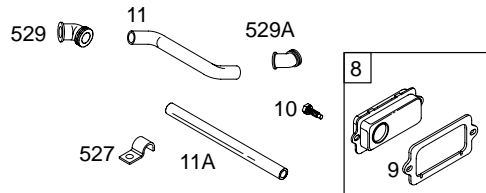
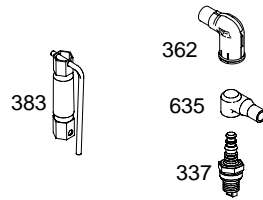
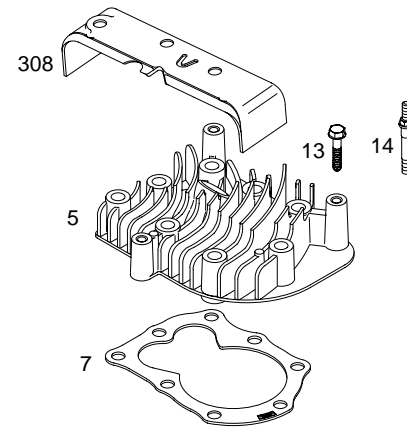
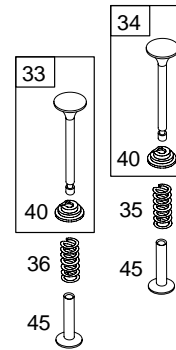
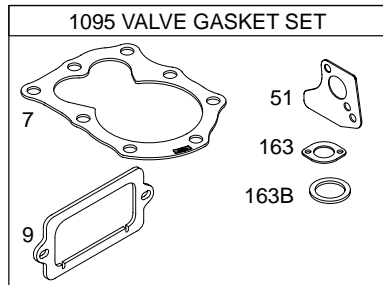
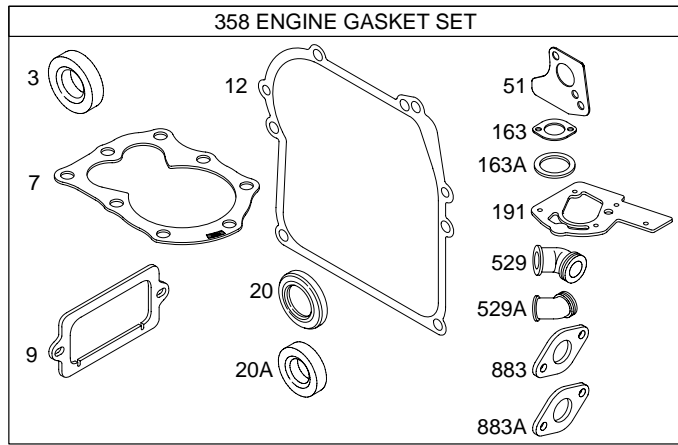
Air Cleaner	6
Blower Housing	8
Cam	2
Carburetor	4
Controls	5
Crankcase Cover/Sump	3
Crankshaft	2
Cylinder	2
Flywheel	7
Fuel Tank	4
Gear Reducer	3
Governor Spring	5
Head	2
Ignition	5
Kits/Gaskets – Carburetor	4
Kits/Gaskets – Valves	2
Muffler	6
Piston Group	2
Rewind Starter	7
Rewind Starter	8
Valves	2

PRINTED IN U.S.A.



COPYRIGHT by BRIGGS & STRATTON CORPORATION
All rights reserved. No part of this material may be reproduced or transmitted, in any form or by any means, electronic or mechanical, including photocopying, recording or by any information storage and retrieval system, without permission in writing from Briggs & Stratton Corporation.

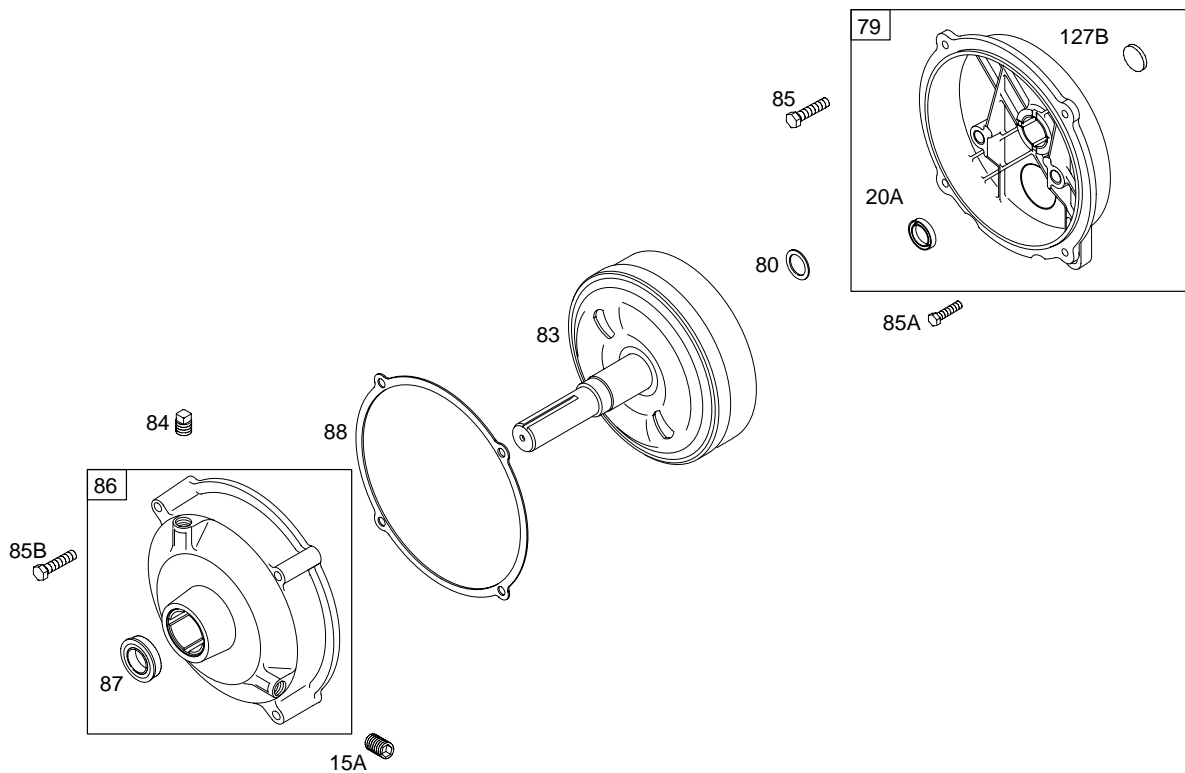
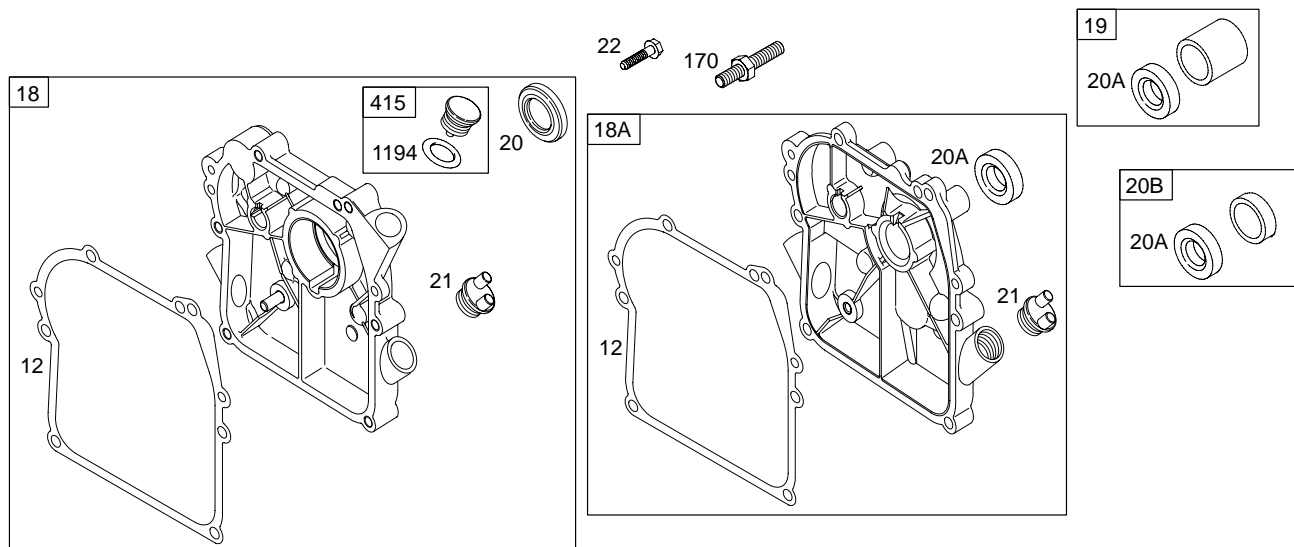
91200



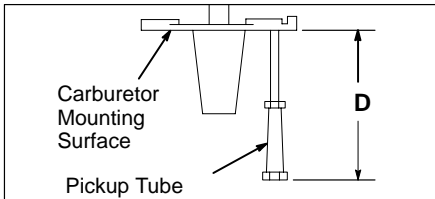
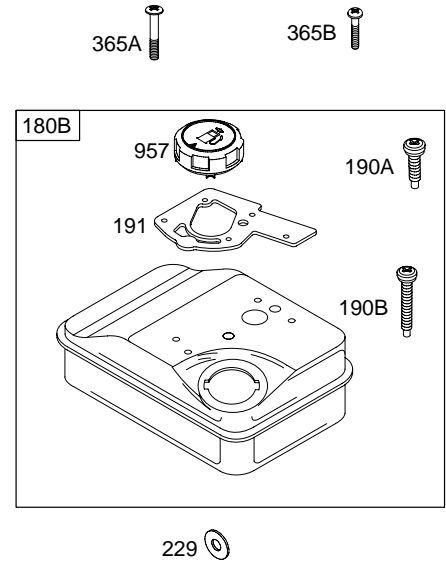
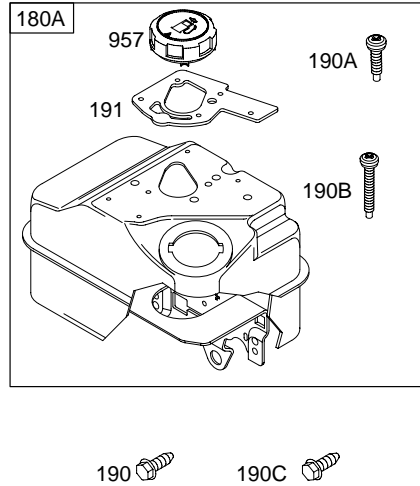
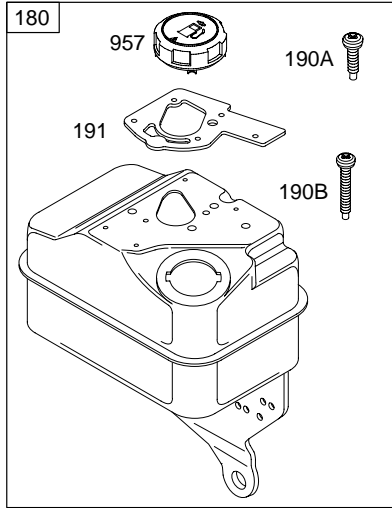
1058 OPERATOR'S MANUAL

1330 REPAIR MANUAL

Illustrations cover a range of engines. Parts shown without corresponding text may not be used on your specific engine.
 2689-2 Assemblies include all parts shown in frames. 05/05/2004

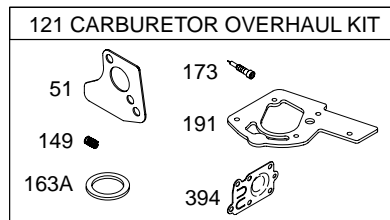
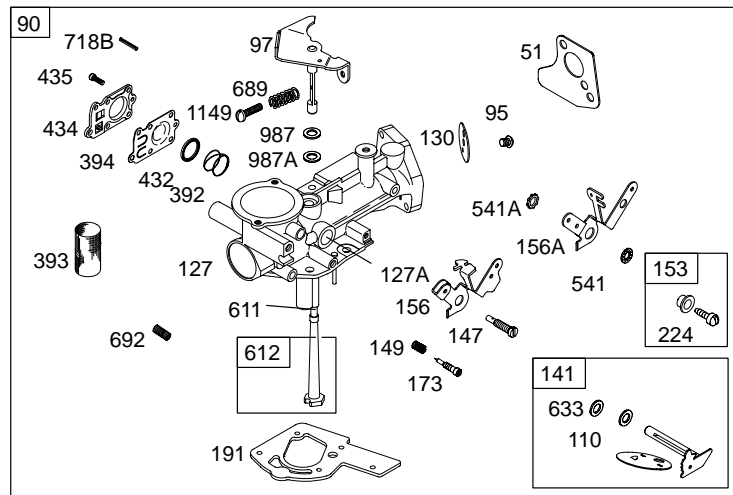


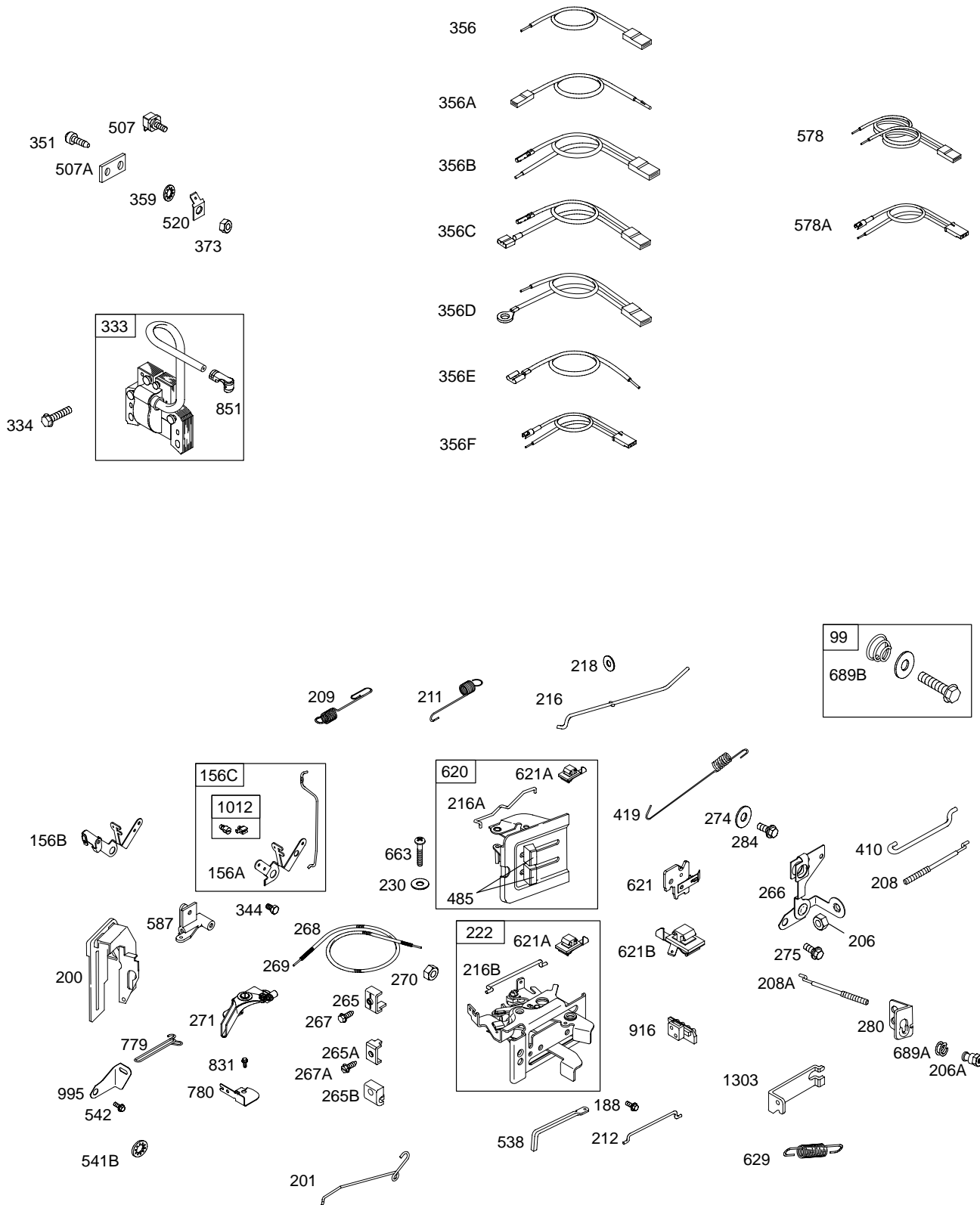
Illustrations cover a range of engines. Parts shown without corresponding text may not be used on your specific engine.
 2689-3 Assemblies include all parts shown in frames. 05/05/2004



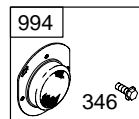
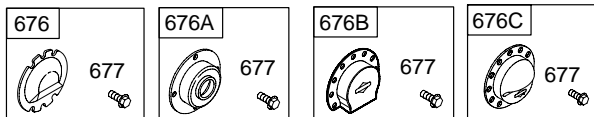
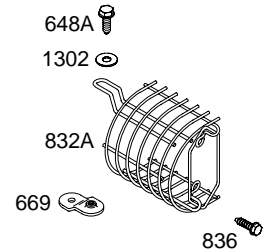
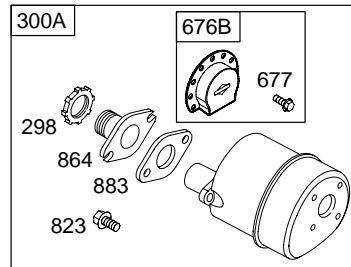
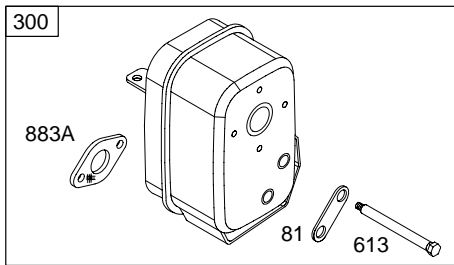
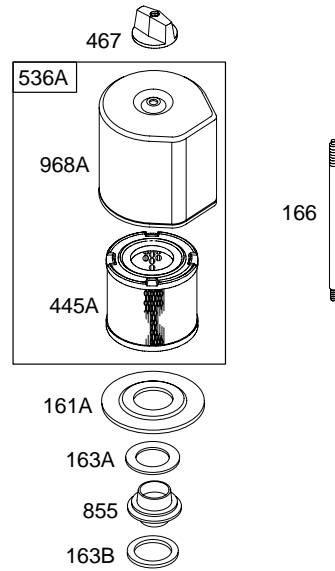
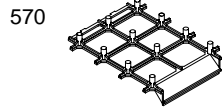
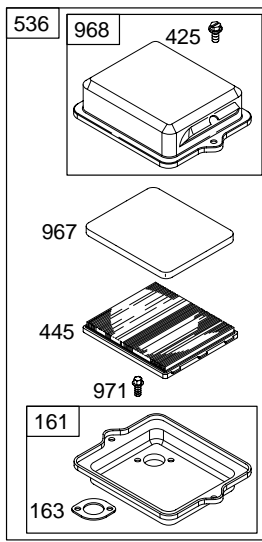
To replace carburetor assembly, determine fuel tank capacity as shown.

Fuel Tank Capacity (Quarts)	1	2	3
D (Inches)	2-5/16	4-1/4	4-7/8

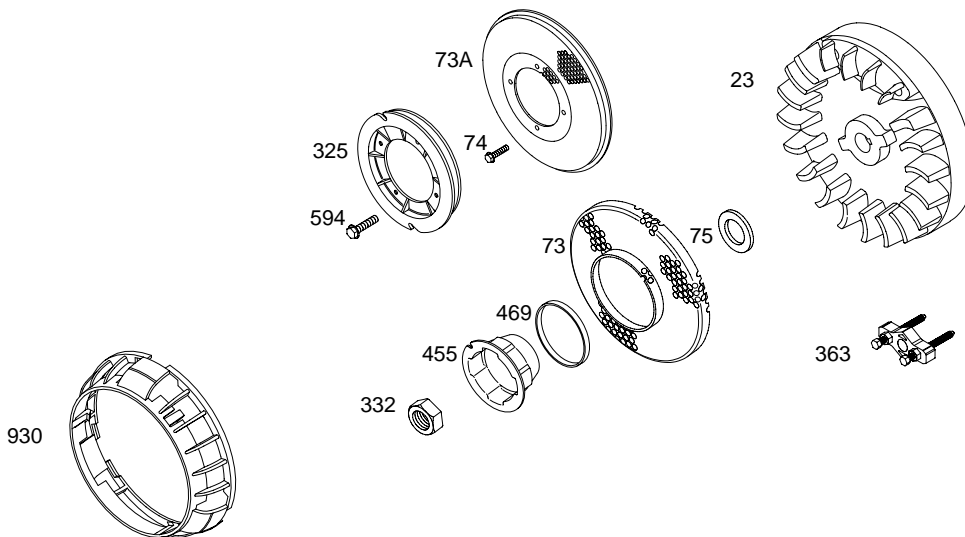
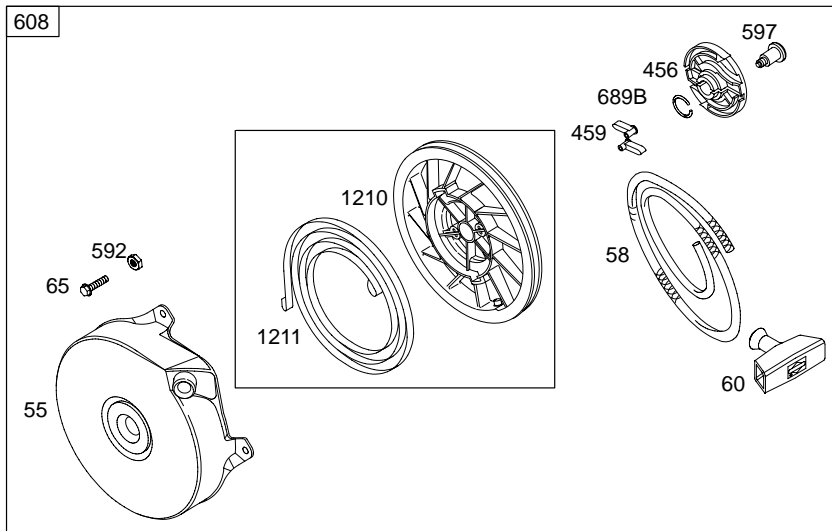




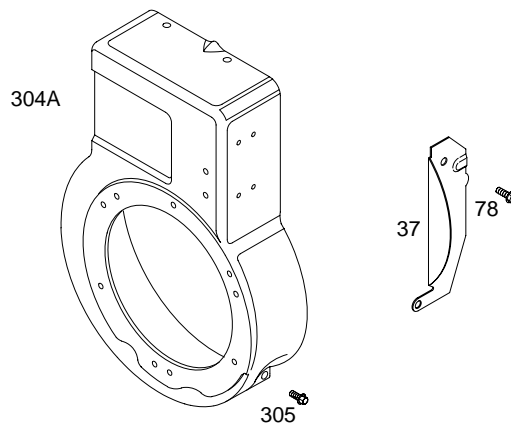
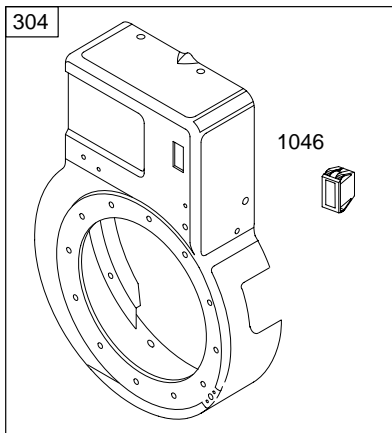
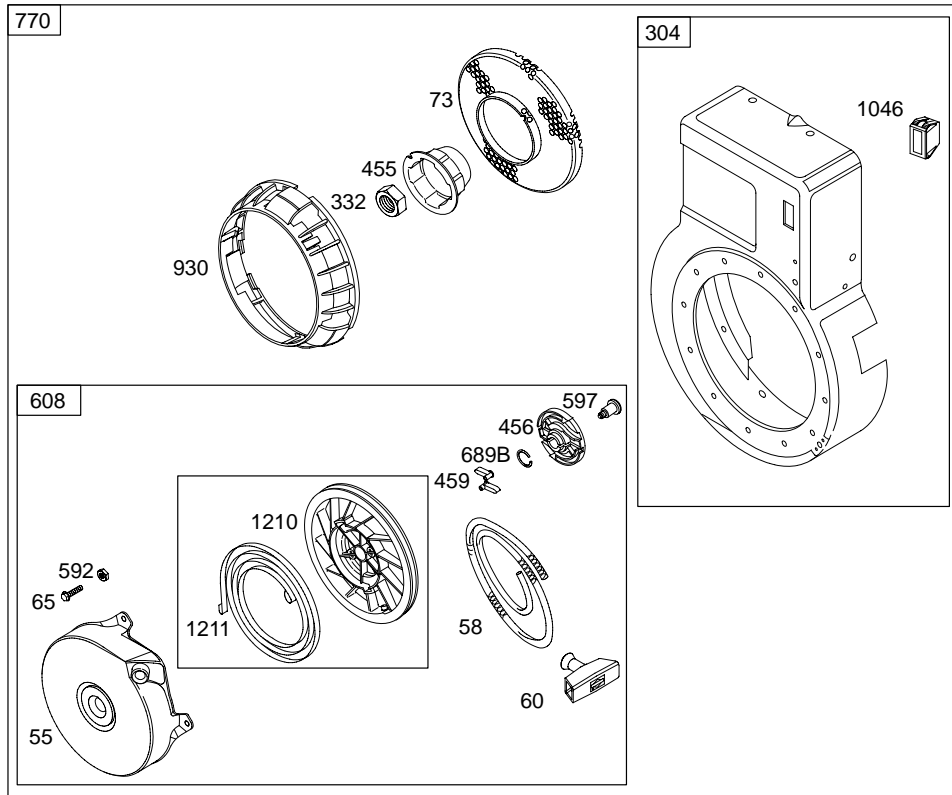
Illustrations cover a range of engines. Parts shown without corresponding text may not be used on your specific engine.
 2689-5 Assemblies include all parts shown in frames. 05/05/2004



Illustrations cover a range of engines. Parts shown without corresponding text may not be used on your specific engine.
 2689-6 Assemblies include all parts shown in frames. 05/05/2004



Illustrations cover a range of engines. Parts shown without corresponding text may not be used on your specific engine.
 2689-7 Assemblies include all parts shown in frames. 05/05/2004



1036 EMISSIONS LABEL

REF. NO.	PART NO.	DESCRIPTION	REF. NO.	PART NO.	DESCRIPTION	REF. NO.	PART NO.	DESCRIPTION
1	494549	Cylinder Assembly	16	492880	Crankshaft		690821	Crankshaft
2	399269	Kit-Bushing/Seal (Magneto Side)			Note			Used on Type No(s).
3	★299819	Seal-Oil (Magneto Side)		492095	Crankshaft (Includes Ball Bearing) Used on Type No(s).			0014, 0020, 0034, 0035, 0038, 0061, 0068, 0105, 0107, 0114, 0115, 0116, 0118, 0133, 0134, 0145, 0153, 0155, 0156, 0162, 0174, 0181, 0188, 0191, 0192, 0201, 0203, 0206, 0207, 0210, 0223, 0225, 0335, 0354, 0676, 0800, 1014, 1020, 1034, 1035, 1047, 1054, 1061, 1207, 1214, 1215, 1218, 1224, 1227, 1234, 1253, 1265, 1310, 1323, 1325, 1328, 1362, 1363, 1364, 1365, 1369, 1375, 1378.
5	690386	Head-Cylinder			1036, 1052, 1062, 1063, 1304, 1308.			
7	★∅692288	Gasket-Cylinder Head		691473	Crankshaft Used on Type No(s).			
8	495774	Breather Assembly			1292, 1367, 1377, 1380.			
9	★∅695890	Gasket-Breather		691474	Crankshaft Used on Type No(s).			
10	691666	Screw (Breather Assembly)			1209, 1231, 1249, 1309.			
11	692528	Tube-Breather		497232	Crankshaft (Includes Ball Bearing) Used on Type No(s).			
11A	231550	Tube-Breather (Straight)			0003, 0013, 0017, 0018, 0040, 0064, 0067, 0119, 0123, 0127, 0128, 0129, 0131, 0135, 0144, 0146, 0149, 0150, 0151, 0160, 0172, 0186, 0189, 0198, 0227, 0609, 0616, 0620, 0649, 1002, 1005, 1013, 1017, 1025, 1040, 1220, 1226, 1235, 1244, 1251, 1286, 1327, 1353, 1354, 1356, 1359, 1366, 1368, 1371.			
12	★612218	Gasket-Crankcase (.015" Thick, Standard)						
		Note						
		★270895 Gasket-Crankcase (.005" Thick)						
		★270896 Gasket-Crankcase (.009" Thick)						
13	691640	Screw (Cylinder Head)						495210 Crankshaft Used on Type No(s).
14	690361	Stud (Cylinder Head)						0024, 0036, 0052, 0062, 0063, 0117, 0175, 0204, 0208.
15	691686	Plug-Oil Drain (Square Head)						493632 Crankshaft Used on Type No(s).
15A	691682	Plug-Oil Drain (Gear Cover)						0219, 0619, 1372. 493599 Crankshaft Used on Type No(s).
								0005, 0049, 0050, 0108, 0139, 0165, 0178, 0183, 1049, 1239, 1250, 1259, 1278.

★ Engine Gasket Set – Reference 358
● Carburetor Overhaul Kit – Reference 121

◆ Carburetor Gasket Set – Reference 977
∅ Valve Gasket Set – Reference 1095

Illustrations cover a range of engines. Parts shown without corresponding text may not be used on your specific engine.
2689-9 Assemblies include all parts shown in frames. 05/05/2004

91200

REF. NO.	PART NO.	DESCRIPTION	REF. NO.	PART NO.	DESCRIPTION	REF. NO.	PART NO.	DESCRIPTION
17	690824	Bearing–Ball	20B	691356	Seal–Oil (PTO Side) Used on Type No(s). 0212, 1366.	24	222698	Key–Flywheel
18	497502	Cover–Crankcase (Ball Bearing Cover) Used on Type No(s). 1014, 1020, 1034, 1035, 1036, 1040, 1047, 1052, 1054, 1061, 1062, 1063, 1205, 1207, 1213, 1214, 1215, 1218, 1224, 1234, 1253, 1286, 1304, 1308, 1310, 1323, 1325, 1328, 1353, 1362, 1363, 1364, 1365, 1369, 1375, 1378.	21	281658	Cap–Oil Fill	25	498668	Piston Assembly (Standard) (Used After Code Date 96012800).
18A	394820	Cover–Crankcase (Plain Bearing Cover) Note 496679 Cover– Crankcase (Plain Bearing Cover) Used on Type No(s). 1002, 1022, 1025, 1042, 1049, 1060, 1208, 1221, 1237, 1239, 1240, 1250, 1251, 1257, 1259, 1267, 1278, 1290, 1292, 1302, 1305, 1319, 1331, 1356, 1360, 1366, 1367, 1368, 1370, 1377, 1378.	22	691129	Screw (Crankcase Cover/Sump) Note 693732 Screw (Crankcase Cover/Sump) (Used in Positions 1 and 6) Used on Type No(s). 1002, 1022, 1025, 1042, 1049, 1060, 1208, 1221, 1226, 1237, 1239, 1240, 1250, 1251, 1257, 1259, 1267, 1269, 1278, 1290, 1292, 1302, 1305, 1319, 1331, 1356, 1360, 1366, 1367, 1368, 1370, 1377, 1379, 1380, 1381.			Note 298904 Piston Assembly (Standard) (Used Before Code Date 96012900). 498669 Piston Assembly (.010" Oversize) (Used After Code Date 96012800). 298905 Piston Assembly (.010" Oversize) (Used Before Code Date 96012900).
19	399269	Kit–Bushing/Seal (PTO Side)	23	690843	Flywheel Note 496893 Flywheel Used on Type No(s). 0119, 0128, 0129, 0149, 0151, 0153, 0161, 0209, 0214, 0609, 0616, 0620, 0649, 1209, 1212, 1215, 1220, 1228, 1231, 1249, 1251, 1253, 1309, 1314, 1353, 1354. 692009 Flywheel Used on Type No(s). 0117, 1217, 1367.			498670 Piston Assembly (.020" Oversize) (Used After Code Date 96012800). 298906 Piston Assembly (.020" Oversize) (Used Before Code Date 96012900). 498671 Piston Assembly (.030" Oversize) (Used After Code Date 96012800). 298907 Piston Assembly (.030" Oversize) (Used Before Code Date 96012900).
20	692020	Seal–Oil (PTO Side) (O.D. 1.63 Inches, I.D. .825 Inches)						
20A	*299819	Seal–Oil (PTO Side) (O.D. 1.25 Inches, I.D. .830 Inches)						

★ Engine Gasket Set – Reference 358
● Carburetor Overhaul Kit – Reference 121

◆ Carburetor Gasket Set – Reference 977
⊘ Valve Gasket Set – Reference 1095

Illustrations cover a range of engines. Parts shown without corresponding text may not be used on your specific engine.
2689–10 Assemblies include all parts shown in frames. 05/05/2004

REF. NO.	PART NO.	DESCRIPTION	REF. NO.	PART NO.	DESCRIPTION	REF. NO.	PART NO.	DESCRIPTION
26	695169	Ring Set (Standard) (Used After Code Date 99103100). Note ——— 498680 Ring Set (Standard) (Used After Code Date 96012800 and Before Code Date 99110100). 298982 Ring Set (Standard) (Used Before Code Date 96012900). 695171 Ring Set (.010" Oversize) (Used After Code Date 99103100). 498681 Ring Set (.010" Oversize) (Used After Code Date 96012800 and Before Code Date 99110100). 298983 Ring Set (.010" Oversize) (Used Before Code Date 96012900).	27	691588	Lock–Piston Pin	40	692194	Retainer–Valve
			28	298909	Pin–Piston (Standard) Note ——— 298908 Pin–Piston (.005" Oversize)	45	691762	Tappet–Valve
			29	294367	Rod–Connecting (Standard) Note ——— 296079 Rod– Connecting (.020" Undersize)	46	691998	Camshaft
			30	691719	Dipper–Connecting Rod	51	273113	Gasket–Intake
			32	691664	Screw (Connecting Rod)	55	692144	Housing–Rewind Starter
			33	296676	Valve–Exhaust Note ——— 497871 Valve–Exhaust Used on Type No(s). 0063, 0127, 0204, 1063.	58	697316	Rope–Starter (Cut to Required Length)
			34	296677	Valve–Intake	60	691915	Grip–Starter Rope
			35	690520	Spring–Valve (Intake)	65	690837	Screw (Rewind Starter)
			36	690520	Spring–Valve (Exhaust) Note ——— 691838 Spring–Valve (Exhaust) (Used After Code Date 93021500 and Before Code Date 93110200). Used on Type No(s). 0063, 0127.	66	399671	Clutch–Starter (Used Before Code Date 98123100).
			37	690463	Guard–Flywheel	67	394897	Clutch–Housing
						68	691604	Ball–Clutch
						70	691945	Ratchet–Clutch
						71	691359	Cover–Ratchet
						73	694018	Screen–Rotating (Used After Code Date 97060500).
						73A	691725	Screen–Rotating (Used Before Code Date 97060600).
						74	94058	Screw (Rotating Screen)
						75	691736	Washer (Flywheel)
						78	690364	Screw (Flywheel Guard)
						79	690605	Case–Gear Reduction
						80	691602	Gasket–Gear Case
						81	691179	Lock–Muffler Screw
						83	690374	Shaft–Auxiliary Drive

★ Engine Gasket Set – Reference 358
● Carburetor Overhaul Kit – Reference 121

◆ Carburetor Gasket Set – Reference 977
∅ Valve Gasket Set – Reference 1095

Illustrations cover a range of engines. Parts shown without corresponding text may not be used on your specific engine.
2689–11 Assemblies include all parts shown in frames. 05/05/2004

91200

REF. NO.	PART NO.	DESCRIPTION	REF. NO.	PART NO.	DESCRIPTION	REF. NO.	PART NO.	DESCRIPTION
84	691121	Plug–Breather						
85	690369	Screw (Gear Cover to Gear Reduction Case) (7/8" Long)						
85A	691122	Screw (Gear Cover to Gear Reduction Case) (1 1/2" Long)						
85B	691117	Screw (Gear Cover to Gear Reduction Case)						
86	690608	Cover–Gear						
87	691582	Seal–Gear Reduction						
88	691600	Gasket–Gear Reduction Cover						
90	499952	Carburetor (2 Quart Tank) (Air Vane) (Used After Code Date 98082300). Used on Type No(s). 1014, 1016, 1017, 1022, 1035, 1036, 1040, 1049, 1212, 1214, 1220, 1234, 1237, 1240, 1241, 1244, 1249, 1250, 1253, 1258, 1259, 1264, 1267, 1278, 1286, 1290, 1300, 1305, 1309, 1310, 1325, 1328, 1331, 1360, 1361, 1363, 1369, 1370, 1372.						
		Note						
		499491 Carburetor (2 Quart Tank) (Air Vane) (Used Before Code Date 98082400). Used on Type No(s). 1014, 1016, 1017, 1022, 1035, 1036, 1040, 1049, 1212, 1214, 1220, 1237, 1240, 1241, 1244, 1249, 1250, 1253, 1264, 1267, 1278, 1286, 1290, 1300, 1305, 1309, 1310, 1325, 1328, 1331, 1360, 1361, 1363.						
					693029 Carburetor (2 Quart Tank) (Air Vane) Used on Type No(s). 1257.			499490 Carburetor (3 Quart Tank) (Air Vane) (Used Before Code Date 98082400). Used on Type No(s). 1020, 1034, 1047, 1052, 1054, 1059, 1060, 1061, 1062, 1063, 1204, 1207, 1211, 1215, 1218, 1221, 1235, 1239, 1292, 1304, 1308, 1323, 1326, 1327, 1353, 1354, 1362, 1364, 1365, 1367.
					495459 Carburetor (2 Quart Tank) (Air Vane) Used on Type No(s). 0003, 0014, 0016, 0017, 0022, 0024. 0035, 0036, 0037, 0038, 0040, 0049, 0050, 0064, 0067, 0151, 0159, 0166, 0176, 0178, 0186, 0191, 0197, 0201, 0212, 0225, 0800.			
					499470 Carburetor (2 Quart Tank) (Choke A Matic) Used on Type No(s). 0149, 0153.			
					499953 Carburetor (3 Quart Tank) (Air Vane) (Used After Code Date 98082300). Used on Type No(s). 0354, 0359, 0676, 1020, 1034, 1047, 1052, 1054, 1059, 1060, 1061, 1062, 1063, 1204, 1207, 1211, 1215, 1218, 1221, 1224, 1225, 1235, 1239, 1292, 1304, 1323, 1326, 1327, 1353, 1354, 1362, 1364, 1365, 1367, 1371, 1378, 1380, 1384, 1385.			
								495460 Carburetor (2 and 3 Quart Tank) (Manual Choke, Air Vane, Fixed Speed)
								495461 Carburetor (1 Quart Tank) (Manual Choke, Air Vane, Fixed Speed)
								499492 Carburetor (1 Quart) (Air Vane) Used on Type No(s). 0616, 1002, 1005, 1013, 1019, 1025, 1042, 1209, 1222, 1226, 1231, 1251, 1302, 1319, 1359, 1366, 1368, 1377.
						95	691437	Screw (Throttle Valve)
						97	692018	Shaft–Throttle
						99	490956	Kit–Spring/Screw

★ Engine Gasket Set – Reference 358
● Carburetor Overhaul Kit – Reference 121

◆ Carburetor Gasket Set – Reference 977
⊘ Valve Gasket Set – Reference 1095

Illustrations cover a range of engines. Parts shown without corresponding text may not be used on your specific engine.

REF. NO.	PART NO.	DESCRIPTION	REF. NO.	PART NO.	DESCRIPTION	REF. NO.	PART NO.	DESCRIPTION
110	690401	Washer (Choke Shaft)	170	691120	Stud (Crankcase Cover/Sump) (Used in Position 1) Used on Type No(s). 1005, 1016, 1017, 1019, 1035, 1036, 1040, 1212, 1241, 1286, 1326.	191	●★692241	Gasket–Fuel Tank (Used After Code Date 92090600).
121	495606	Kit–Carburetor Overhaul						———— Note ———
127	691718	Plug–Welch (1" Diameter)						●★272996 Gasket– Fuel Tank (Used Before Code Date 92090700).
127A	691742	Plug–Welch (7/16" Diameter)						
127B	691585	Plug–Welch (Gear Reduction Case)				200	498770	Blade–Governor
130	691743	Valve–Throttle	173	●691777	Valve–Idle Mixture	201	691305	Link–Air Vane
141	497230	Kit–Choke Shaft (Used After Code Date 94083100).	180	495377	Tank–Fuel (2 Quart) ———— Note ———	206	690325	Nut–Governor Adjusting
		———— Note ———			495391 Tank–Fuel (3 Quart) (Air Vane)	206A	691771	Nut–Governor Adjusting
		491177 Kit–Choke Shaft (Used Before Code Date 94090100).	180A	495376	Tank–Fuel (2 Quart) (Mechanical Governor) ———— Note ———	208	691820	Rod–Governor Control
		495949 Kit–Choke Shaft Used on Type No(s). 0149, 0153.			495388 Tank–Fuel (3 Quart) (Mechanical Governor)	208A	691821	Rod–Governor Control
147	691250	Jet–Pilot (Standard) ———— Note ———	180B	495370	Tank–Fuel (1 Quart)			
		499502 Jet–Pilot (High Altitude)	188	692200	Screw (Control Bracket)			
149	●691592	Spring–Needle Valve	190	691685	Screw (Fuel Tank) (2 And 3 Quart Only)			
153	490501	Kit–Collar/Screw	190A	692200	Screw (Fuel Tank)			
156	692651	Lever–Speed Adjuster	190B	691687	Screw (Fuel Tank)			
156A	690439	Lever–Speed Adjuster	190C	691141	Screw (Fuel Tank)			
156B	690438	Lever–Speed Adjuster						
156C	492905	Lever–Speed Adjuster						
161	694484	Base–Air Cleaner (Metal)						
161A	691735	Base–Air Cleaner						
163	★∅271935	Gasket–Air Cleaner						
163A	●271139	Gasket–Air Cleaner						
163B	690580	Gasket–Air Cleaner						
166	691248	Stud (Air Cleaner)						

★ Engine Gasket Set – Reference 358
● Carburetor Overhaul Kit – Reference 121

◆ Carburetor Gasket Set – Reference 977
∅ Valve Gasket Set – Reference 1095

Illustrations cover a range of engines. Parts shown without corresponding text may not be used on your specific engine.
2689–13 Assemblies include all parts shown in frames. 05/05/2004

91200

REF. NO.	PART NO.	DESCRIPTION	REF. NO.	PART NO.	DESCRIPTION	REF. NO.	PART NO.	DESCRIPTION
209	692205	Spring–Governor (No Color) Note 691785 Governor Spring (Yellow) Used on Type No(s). 0003, 0005, 0013, 0014, 0024, 0115, 0118, 0127, 0135, 0144, 0146, 0150, 0160, 0179, 0186, 0201, 0210, 0225. 263200 Spring– Governor (Gray) Used on Type No(s). 0354, 0609. 692911 Spring– Governor (Yellow) Used on Type No(s). 1020, 1034, 1036, 1047, 1052, 1054, 1061, 1062, 1063, 1224, 1227, 1304, 1308, 1323, 1353, 1354, 1364, 1365. 690373 Spring– Governor (Blue) 691825 Spring– Governor (Red) Used on Type No(s). 0015, 0018, 0128, 0129, 0137, 0149, 0153, 0180, 0359, 0616, 0619, 0620, 0649, 0676, 1015, 1018, 1228.			690563 Spring– Governor (White) Used on Type No(s). 0017, 0022, 0035, 0042, 0050, 0059, 0111, 0114, 0119, 0120, 0121, 0122, 0125, 0131, 0138, 0140, 0141, 0142, 0145, 0155, 0156, 0161, 0164, 0168, 0172, 0176, 0181, 0189, 0197, 0198, 0212, 0213, 0214, 0219, 0249, 0680, 1017, 1022, 1025, 1035, 1042, 1059, 1209, 1211, 1212, 1214, 1220, 1221, 1226, 1231, 1237, 1240, 1249, 1250, 1251, 1253, 1264, 1269, 1289, 1305, 1309, 1313, 1314, 1319, 1328, 1360, 1366, 1368, 1377, 1383. 692612 Spring– Governor (Black) Used on Type No(s). 1013, 1014, 1215, 1218, 1235, 1244, 1259, 1286, 1310, 1325, 1356, 1362, 1363, 1370, 1375, 1378. 692613 Spring– Governor (Brown) Used on Type No(s). 1210, 1225, 1234, 1292, 1302, 1359, 1367, 1379, 1380, 1381.			211 691289 Spring–Governed Idle 212 691788 Link–Throttle 216 690551 Link–Choke 216A 691824 Link–Choke 216B 692904 Link–Choke 217 691815 Spring–Choke Return 218 691722 Washer (Choke Link) 222 699132 Bracket–Control 224 690320 Screw (Collar/Screw Kit) 229 691607 Washer (Fuel Tank) 230 690390 Washer (Control Bracket) 265 690393 Clamp–Casing 265A 691024 Clamp–Casing 265B 690798 Clamp–Casing 266 691414 Control–Throttle 267 691082 Screw (Casing Clamp) 267A 692577 Screw (Casing Clamp) (Used After Code Date 03092600). Used on Type No(s). 1060, 1221, 1225, 1290, 1305, 1385. Note 690804 Screw (Casing Clamp) (Used Before Code Date 03092700). Used on Type No(s). 1060, 1221, 1225, 1290, 1305.

★ Engine Gasket Set – Reference 358
● Carburetor Overhaul Kit – Reference 121

◆ Carburetor Gasket Set – Reference 977
∅ Valve Gasket Set – Reference 1095

Illustrations cover a range of engines. Parts shown without corresponding text may not be used on your specific engine.
2689–14 Assemblies include all parts shown in frames. 05/05/2004

REF. NO.	PART NO.	DESCRIPTION	REF. NO.	PART NO.	DESCRIPTION	REF. NO.	PART NO.	DESCRIPTION
268	691025	Casing—Control Wire (Cut to Required Length)	332	690662	Nut (Flywheel)	365B	692200	Screw (Carburetor) (3/4" Long)
269	691026	Wire—Control (Cut to Required Length)	333	496914	Armature—Magneto ———— Note ———	373	691612	Nut (Ground Terminal)
270	691027	Nut (Control Wire Casing)		398428	Armature— Magneto Used on Type No(s). 0063, 0204, 1063, 1304.	383	89838	Wrench—Spark Plug
271	691028	Lever—Control				392	691823	Spring—Pump Diaphragm
274	691607	Washer (Cable Casing)	334	691061	Screw (Magneto Armature)	393	691213	Screen—Carburetor
275	691683	Screw (Throttle Control)	337	802592	Plug—Spark (Resistor)	394	●272538	Diaphragm—Carburetor (Used After Code Date 92090600). ———— Note ———
280	691184	Bracket—Rod ———— Note ——— 690424 Bracket—Rod Used on Type No(s). 0005, 0052, 0059, 0061, 0062.		492167	Plug—Spark		●270026	Diaphragm— Carburetor (Used Before Code Date 92090700).
284	691082	Screw (Control Wire Casing)	344	691685	Screw (Cable Clamp)	410	691274	Link—Control
298	691720	Locknut—Muffler/Elbow	346	690661	Screw (Spark Arrester)	415	691363	Plug (Crankcase Cover/Sump)
300	691360	Muffler	347	691396	Switch—Rocker	419	691818	Spring—Return Used on Type No(s). 0121.
300A	493288	Muffler	351	90200	Screw (Gound Terminal)	425	694515	Screw (Air Cleaner Cover)
303	690291	Elbow—Exhaust	356	692390	Wire—Stop	432	690766	Cap—Spring
304	692622	Housing—Blower Used on Type No(s). 1034, 1060, 1215, 1221, 1227, 1239, 1244, 1290, 1305, 1310, 1356, 1385.	356A	690791	Wire—Stop	434	691713	Cover—Diaphragm
304A	693004	Housing—Blower	356B	691418	Wire—Stop	435	691619	Screw (Diaphragm Cover)
305	692198	Screw (Blower Housing)	356C	691409	Wire—Stop	445	491588	Filter—Air Cleaner Cartridge
306	690461	Shield—Cylinder	356D	490346	Wire—Stop	445A	396424	Filter—Air Cleaner Cartridge
307	691660	Screw (Cylinder Shield)	356E	493501	Wire—Stop	455	691236	Cup—Flywheel
308	690462	Cover—Cylinder Head	356F	695283	Wire—Stop	456	692299	Plate—Pawl Friction
325	690590	Pulley—Rope Starter (Used Before Code Date 97060600). Used on Type No(s). 0024.	357	692191	Key—Drive Pulley	459	281505	Pawl—Ratchet
			358	495605	Gasket Set—Engine	467	691668	Knob—Air Cleaner
			359	691077	Washer (Ground Terminal)			
			362	691954	Shield—Spark Plug			
			363	19069	Puller—Flywheel			
			365	690953	Screw (Carburetor)			
			365A	691687	Screw (Carburetor) (1 3/4" Long)			

★ Engine Gasket Set – Reference 358
● Carburetor Overhaul Kit – Reference 121

◆ Carburetor Gasket Set – Reference 977
∅ Valve Gasket Set – Reference 1095

Illustrations cover a range of engines. Parts shown without corresponding text may not be used on your specific engine.
2689–15 Assemblies include all parts shown in frames. 05/05/2004

91200

REF. NO.	PART NO.	DESCRIPTION	REF. NO.	PART NO.	DESCRIPTION	REF. NO.	PART NO.	DESCRIPTION
469	694420	Ring—Rotating Trim	611	690507	Pipe—Fuel (2 Quart Tank)	689A	692522	Spring—Friction (Governor Control Rod)
485	692295	Knob—Control			————— Note —————	689B	691855	Spring—Friction (Rewind Starter)
507	691972	Insulator			691770 Pipe—Fuel (3 Quart Tank)	692	690572	Spring—Detent
507A	66895	Insulator	612	391813	Tube—Pick Up (2 and 3 Quart Tanks)	718	690959	Pin—Locating
520	691084	Terminal—Ground			————— Note —————	718A	499047	Pin—Locating (Timing Gear)
527	691741	Clamp—Tube			297219 Tube—Pick Up (1 Quart Tank)	718B	690296	Pin—Locating (Diaphragm Cover)
529	★692189	Grommet (90 Degree)	613	691632	Screw (Muffler)	741	691805	Gear—Timing
529A	★692187	Grommet (45 Degree)	620	490649	Panel—Speed Control	770	690098	Kit—Rewind/Blower Housing
536	494279	Cleaner—Air	621	691941	Switch—Stop	779	691828	Link—Bell Crank
536A	396397	Cleaner—Air	621A	692310	Switch—Stop	780	691211	Anchor—Spring
538	691787	Rod—Control	621B	692029	Switch—Stop	823	692336	Screw (Muffler Adapter)
541	691067	Washer (Speed Adjuster Lever)	629	690457	Spring—Throttle Return	831	691099	Screw (Spring Anchor)
541A	690299	Washer (Speed Adjuster Lever)	692A	696015	Spring—Throttle Return Used on Type No(s). 1060, 1221, 1265, 1290, 1305, 1356.	832A	690789	Guard—Muffler
541B	690288	Washer (Speed Adjuster Lever)	633	691869	Seal—Choke/Throttle Shaft	836	691683	Screw (Muffler Guard)
542	691683	Screw (Link Bracket)	635	66538	Boot—Spark Plug	851	493880	Terminal—Spark Plug
570	280737	Support—Foam Element	648A	690664	Screw (Muffler Guard Bracket)	855	690599	Adapter—Air Cleaner
578	398153	Wire Assembly	663	690370	Screw (Speed Control Panel)	864	690776	Adapter—Muffler
578A	696031	Wire Assembly	669	691194	Bracket—Muffler Guard	869	691701	Seat—Valve (Intake)
587	690769	Clamp—Cable	676	393756	Deflector—Muffler	870	691702	Seat—Valve (Exhaust)
592	690800	Nut (Rewind Starter)	676A	397931	Deflector—Muffler			
594	94058	Screw (Rope Start Pulley)	676B	393760	Deflector—Muffler			
597	691696	Screw (Pawl Friction Plate)	676C	396548	Deflector—Muffler			
608	690101	Starter—Rewind (70" Rope)	677	690661	Screw (Muffler Deflector)			
		————— Note —————	689	691783	Spring—Friction (Carburetor)			
		499706 Starter— Rewind (88" Rope) Used on Type No(s). 0680, 0800, 1237, 1369, 1370, 1384, 1385.						

★ Engine Gasket Set – Reference 358
● Carburetor Overhaul Kit – Reference 121

◆ Carburetor Gasket Set – Reference 977
∅ Valve Gasket Set – Reference 1095

Illustrations cover a range of engines. Parts shown without corresponding text may not be used on your specific engine.
2689–16 Assemblies include all parts shown in frames. 05/05/2004

REF. NO.	PART NO.	DESCRIPTION	REF. NO.	PART NO.	DESCRIPTION	REF. NO.	PART NO.	DESCRIPTION
871	262001	Bushing-Valve Guide (Exhaust) (Used After Code Date 92071900). Note ——— 231348 Bushing-Valve Guide (Exhaust) (Used Before Code Date 92072000). 63709 Bushing-Valve Guide (Intake)	995	691756	Bracket-Link	1046	691337	Plug-Blower Housing
			1012	490507	Retainer-Link	1058	274778	Operator's Manual
			1036	696764	Label-Emissions (Used After Code Date 01093000). Note ——— 695097 Label-Emissions (Used Before Code Date 01100100 and After Code Date 99093000). 694421 Label-Emissions (Used Before Code Date 99100100 and After Code Date 98123100). 499329 Label-Emissions (Used Before Code Date 99010100 and After Code Date 97063000). 499328 Label-Emissions (Used Before Code Date 97070100).	1095	692638	Gasket Set-Valve
						1149	691624	Screw (Throttle Shaft)
						1194	691876	Seal-O Ring (Plug)
						1210	499901	Pulley/Spring Assembly (Pulley)
						1211	499901	Pulley/Spring Assembly (Spring)
883	★691314	Gasket-Exhaust				1302	691186	Washer (Muffler Guard)
883A	★691880	Gasket-Exhaust				1303	690594	Clamp-Speed Control
916	691900	Rack-Governor Gear				1330	270962	Repair Manual
930	691348	Guard-Rewind						
957	494559	Cap-Fuel Tank						
967	491435	Filter-Pre Cleaner						
968	692321	Cover-Air Cleaner						
968A	493822	Cover-Air Cleaner						
971	690370	Screw (Air Cleaner Base to Carburetor)						
987	692279	Seal-Throttle Shaft						
987A	270167	Seal-Throttle Shaft						
994	398067	Arrester-Spark						

★ Engine Gasket Set – Reference 358
● Carburetor Overhaul Kit – Reference 121

◆ Carburetor Gasket Set – Reference 977
∅ Valve Gasket Set – Reference 1095

Illustrations cover a range of engines. Parts shown without corresponding text may not be used on your specific engine.
2689-17 Assemblies include all parts shown in frames. 05/05/2004