

91400

Illustrated Parts List

Model Series

91400

TYPE NUMBERS
0120, 0130.

TABLE OF CONTENTS

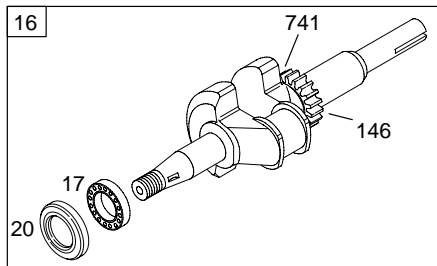
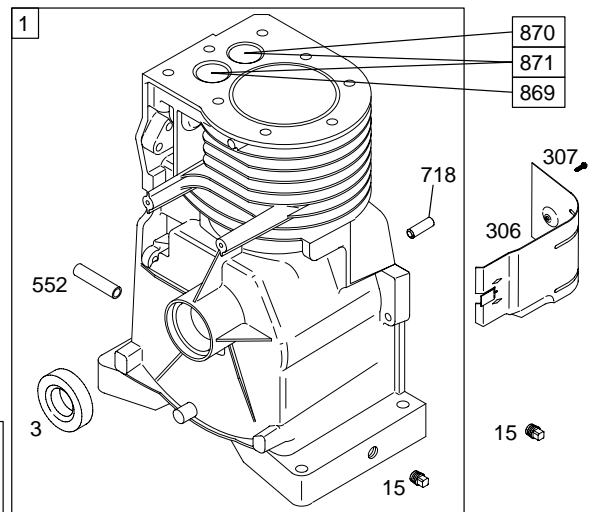
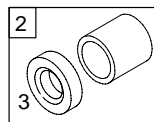
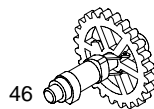
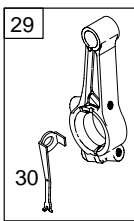
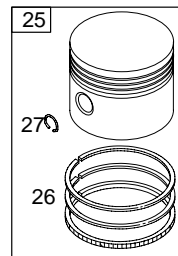
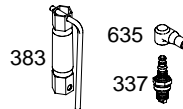
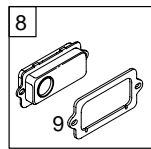
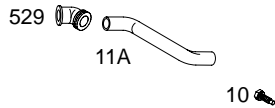
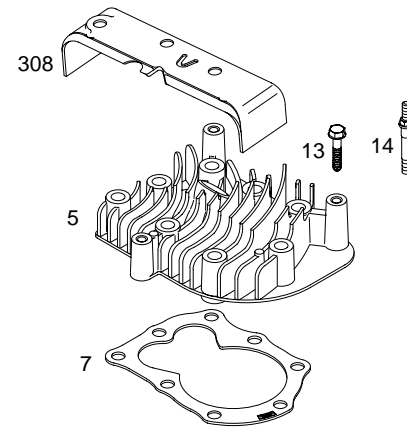
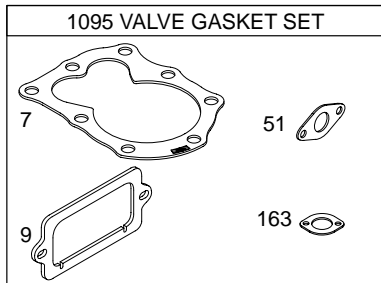
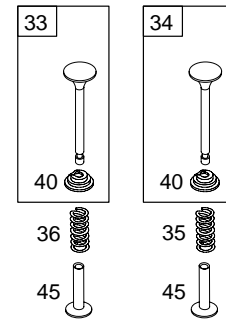
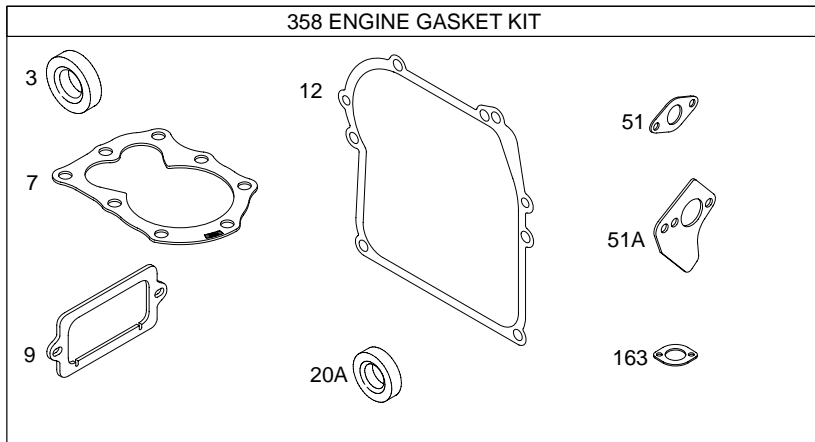
Air Cleaner	6
Blower Housing	7
Cams	2
Carburetor	4
Controls	5
Crankcase Cover/Sump	3
Crankshaft	2
Cylinder	2
Flywheel	7
Governor Spring	5
Head	2
Ignition	5
Kits/Gaskets-Carburetor	4
Kits/Gaskets-Valve/Engine	2
Piston Group	2
Rewind	7
Valves	2



PRINTED IN U.S.A.

COPYRIGHT by BRIGGS & STRATTON CORPORATION
All rights reserved. No part of this material may be reproduced or transmitted, in any form or by any means, electronic or mechanical, including photocopying, recording or by any information storage and retrieval system, without permission in writing from Briggs & Stratton Corporation.

91400

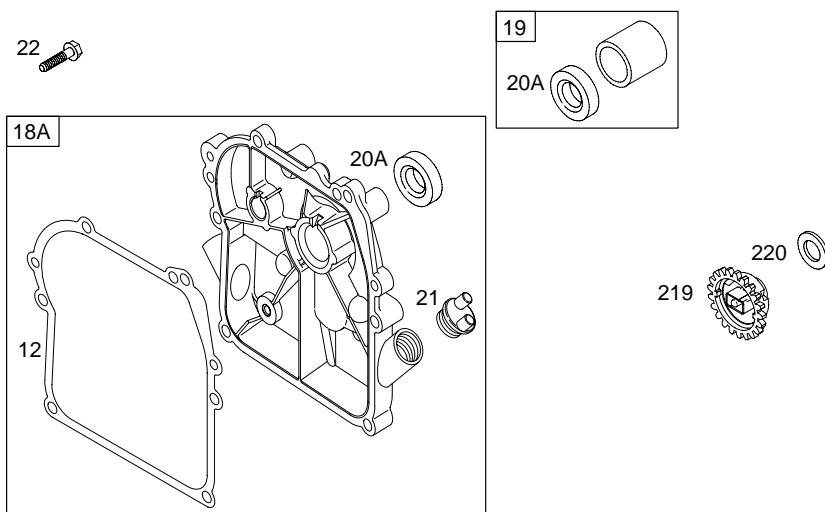


1019 LABEL KIT

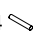

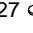
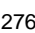

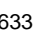

1058 OWNER'S MANUAL


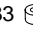
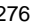

1330 REPAIR MANUAL

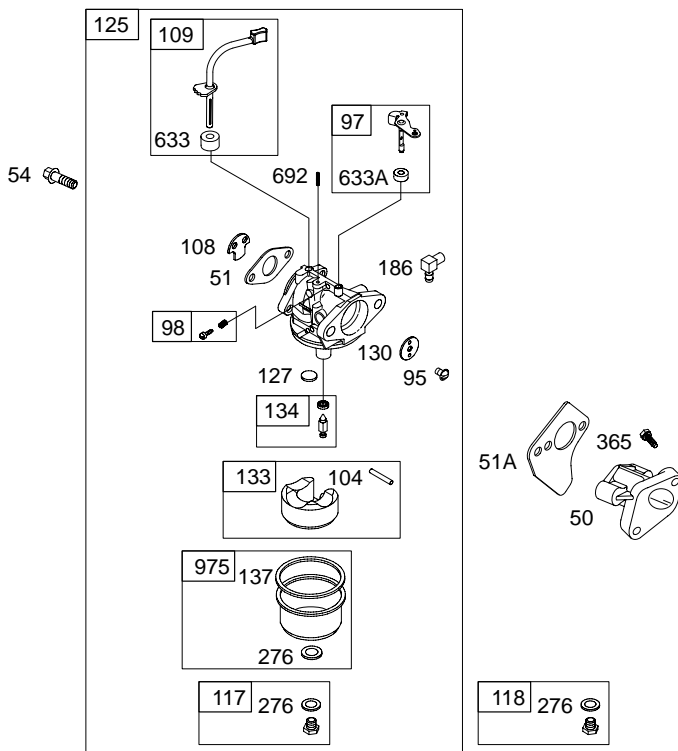
Illustrations cover a range of engines. Parts shown without corresponding text may not be used on your specific engine.
 7152-2 Assemblies include all parts shown in frames. 05/11/2004



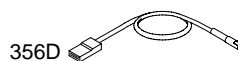
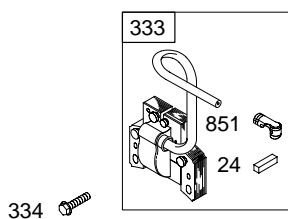
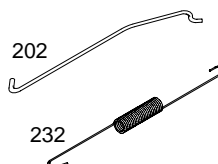
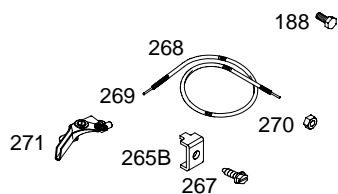
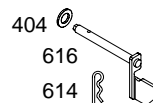
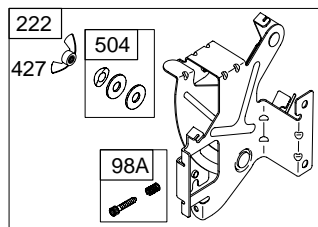
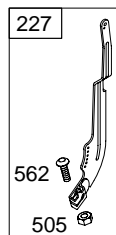
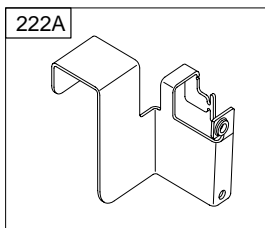
Illustrations cover a range of engines. Parts shown without corresponding text may not be used on your specific engine.
 7152-3 Assemblies include all parts shown in frames. 05/11/2004

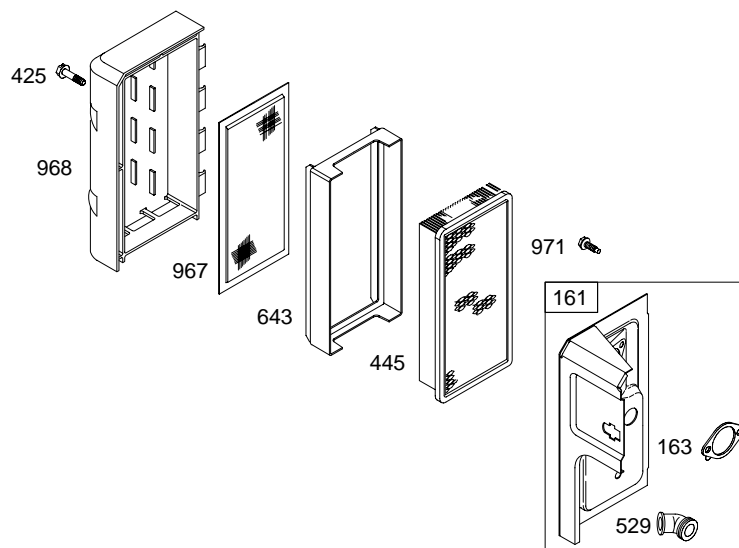
121 Carburetor Overhaul Kit	
104 	137 
127 	276 
134 	633 
	633A 

977 Carburetor Gasket Set	
137 	633 
276 	633A 

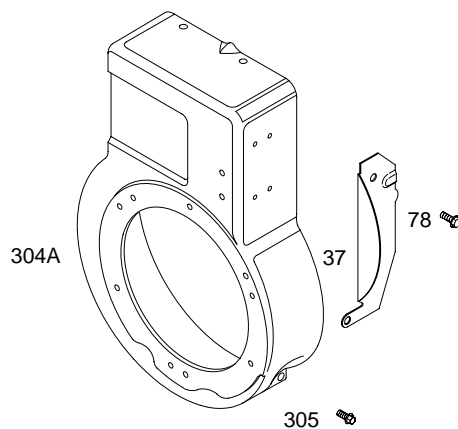


Illustrations cover a range of engines. Parts shown without corresponding text may not be used on your specific engine.

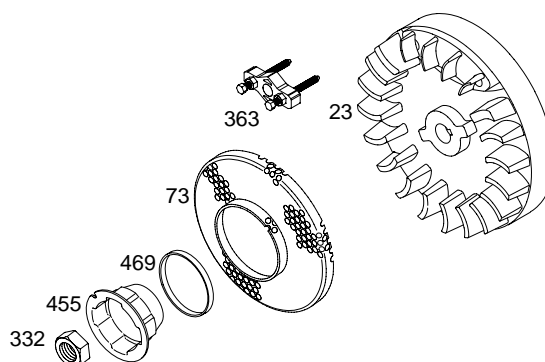
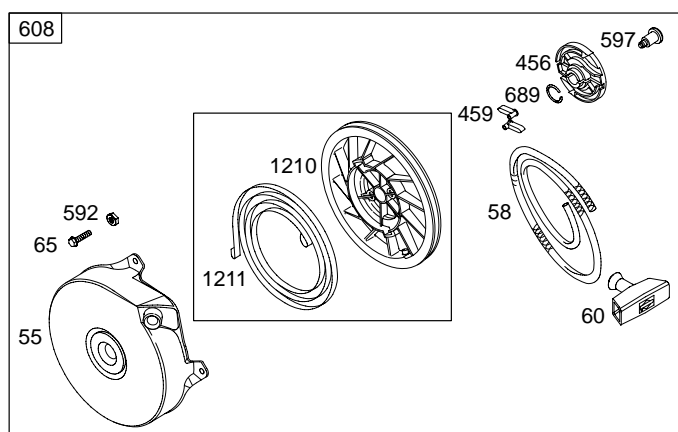




Illustrations cover a range of engines. Parts shown without corresponding text may not be used on your specific engine.
7152-6 Assemblies include all parts shown in frames. 05/11/2004



1036 Emission Label



Illustrations cover a range of engines. Parts shown without corresponding text may not be used on your specific engine.
 7152-7 Assemblies include all parts shown in frames. 05/11/2004

91400

REF. NO.	PART NO.	DESCRIPTION	REF. NO.	PART NO.	DESCRIPTION	REF. NO.	PART NO.	DESCRIPTION
1	694161	Cylinder Assembly	23	692009	Flywheel	37	690463	Guard-Flywheel
2	399269	Kit-Bushing/Seal (Magneto Side)	24	222698	Key-Flywheel	40	692194	Retainer-Valve
3	★299819	Seal-Oil (Magneto Side)	25	498668	Piston Assembly (Standard)	45	691762	Tappet-Valve
5	690386	Head-Cylinder			Note	46	691998	Camshaft
7	★∅692288	Gasket-Cylinder Head			498669	50	691922	Manifold-Intake
8	495774	Breather Assembly			Assembly (.010" Oversize)	51	★∅692283	Gasket-Intake
9	★∅27549	Gasket-Breather			498670	51A	★273113	Gasket-Intake
10	691666	Screw (Breather Assembly)			Assembly (.020" Oversize)	54	691689	Screw (Intake Manifold)
11A	691246	Tube-Breather			498671	55	692144	Housing-Rewind Starter
12	★692218	Gasket-Crankcase (.015" Standard)			Assembly (.030" Oversize)	58	691921	Rope-Starter (Cut to Required Length)
		Note	26	695169	Ring Set (Standard)	60	691915	Grip-Starter Rope
		★270895			Note	65	690837	Screw (Rewind Starter)
		Gasket-Crankcase (.005")			695171	73	694018	Screen-Rotating
		★270896			Ring Set (.010" Oversize)	78	690364	Screw (Flywheel Guard)
		Gasket-Crankcase (.009")			695172	95	691636	Screw (Throttle Valve)
13	691640	Screw (Cylinder Head)			Ring Set (.020" Oversize)	97	496861	Shaft-Throttle
14	690361	Stud (Cylinder Head) (Used in Number 4, 6 and 8 Positions)	27	691588	Ring Set (.030" Oversize)	98	398185	Kit-Idle Speed (Carburetor)
15	691686	Plug-Oil Drain	28	298909	Lock-Piston Pin	98A	493280	Kit-Idle Speed (Control Bracket)
16	399006	Crankshaft			Pin-Piston (Standard)	104	●691242	Pin-Float Hinge
18A	496903	Cover-Crankcase			Note	108	692567	Valve-Choke
19	399269	Kit-Bushing/Seal (PTO Side)	29	294367	298908	109	496860	Shaft-Choke
20	★691356	Seal-Oil (PTO Side)			Pin-Piston (.005" Oversize)	117	498981	Jet-Main (Standard)
20A	★299819	Seal-Oil (PTO Side)			Rod-Connecting (Standard)	118	494870	Jet-Main (High Altitude)
21	281658	Cap-Oil Fill	30	691719	296079	121	498260	Kit-Carburetor Overhaul
22	691129	Screw (Crankcase Cover)			Rod-Connecting (.020" Undersize)	125	496863	Carburetor
		Note	32	691664	Dipper-Connecting Rod	127	●691739	Plug-Welch
		693732	33	497871	Screw (Connecting Rod)	130	691181	Valve-Throttle
		Screw (Crankcase Cover) (Used in Positions No. 1 and 6)	34	296677	Valve-Exhaust	133	398187	Float-Carburetor
			35	690520	Valve-Intake	134	●398188	Kit-Needle/Seat
			36	690520	Spring-Valve (Intake)	137	●●693981	Gasket-Float Bowl
					Spring-Valve (Exhaust)	146	499047	Key-Timing

★ Included in Engine Gasket Set-Ref. No.358.

● Included in Carburetor Overhaul Kit-Ref. No. 121.

◆ Included in Carburetor Gasket Set-Ref. No. 977.

∅ Included in Valve Gasket Set-Ref. No 1095.

Illustrations cover a range of engines. Parts shown without corresponding text may not be used on your specific engine.

7152-8

Assemblies include all parts shown in frames.

05/11/2004

REF. NO.	PART NO.	DESCRIPTION	REF. NO.	PART NO.	DESCRIPTION	REF. NO.	PART NO.	DESCRIPTION
161	691393	Base—Air Cleaner	334	691061	Screw (Magneto Armature)	633	◆◆693867	Seal—Choke/Throttle Shaft (Choke)
163	★∅272948	Gasket—Air Cleaner	337	802592	Spark Plug	633A	◆◆691321	Seal—Choke/Throttle Shaft (Throttle)
186	692317	Connector—Hose	356D	696030	Wire—Stop	635	66538	Boot—Spark Plug
188	691637	Screw (Control Bracket)	358	496865	Gasket Set—Engine	643	691908	Retainer—Air Filter
202	692351	Link—Mechanical Governor	363	19069	Puller—Flywheel	689	691855	Spring—Friction
209	691858	Spring—Governor (Yellow)	365	691688	Screw (Carburetor)	692	690572	Spring—Detent
219	496786	Gear—Governor	383	89838	Wrench—Spark Plug	718	690959	Pin—Locating (Cylinder)
220	691724	Washer (Governor Gear)	404	691691	Washer (Governor Crank)	741	691805	Gear—Timing
222	691411	Bracket—Control	425	690670	Screw (Air Cleaner Cover)	851	493880	Terminal—Sparkplug
222A	698681	Bracket—Control	427	690355	Nut (Control Bracket)	869	691701	Seat—Valve (Intake)
227	691412	Lever—Governor Control	445	494511	Filter—Air Cleaner Cartridge	870	691702	Seat—Valve (Exhaust)
232	691846	Spring—Governor Link	455	691236	Cup—Flywheel	871	262001	Bushing—Valve Guide
265B	691024	Clamp—Casing	456	692299	Plate—Pawl Friction	967	492889	Filter—Pre Cleaner
267	690804	Screw (Casing Clamp)	459	281505	Pawl—Ratchet	968	691327	Cover—Air Cleaner
268	691072	Casing—Control Wire (Cut To Required Length)	469	694420	Ring—Rotating Trim	971	690370	Screw (Air Cleaner Base)
269	691589	Wire—Control (Cut To Required Length)	504	495659	Washer Set—Friction (Control Bracket)	975	493640	Bowl—Float
270	691027	Nut (Control Wire Casing)	505	691251	Nut (Governor Control Lever)	977	498261	Gasket Set— Carburetor
271	691028	Lever—Control	529	692187	Grommet (Breather)	1019	496905	Label Kit
276	◆◆271716	Washer—Sealing (Float Bowl)	552	690508	Bushing—Governor Crank	1036	696765	Label—Emission (Used After Code Date 01093000).
304A	694144	Housing—Blower	562	92613	Bolt (Governor Control Lever)	———— Note ————		
305	692198	Screw (Blower Housing)	592	690800	Nut (Rewind Starter)	695098		Label— Emission (Used Before Code Date 01100100).
306	690461	Shield—Cylinder	597	691696	Screw (Pawl Friction Plate)	1058	274261	Owner's Manual
307	691660	Screw (Cylinder Shield)	608	499706	Starter—Rewind	1095	498525	Gasket Set—Valve
308	690462	Cover—Cylinder Head (Timing Gear)	614	691620	Pin—Cotter	1210	499901	Pulley/Spring Assembly (Pulley)
332	690662	Nut (Flywheel)	616	692016	Crank—Governor	1211	499901	Pulley/Spring Assembly (Spring)
333	496914	Armature—Magneto				1330	270962	Repair Manual

★ Included in Engine Gasket Set—Ref. No.358.

● Included in Carburetor Overhaul Kit—Ref. No. 121.

◆ Included in Carburetor Gasket Set—Ref. No. 977.

∅ Included in Valve Gasket Set—Ref. No 1095.

Illustrations cover a range of engines. Parts shown without corresponding text may not be used on your specific engine.