

92200

Illustrated Parts List

Model Series

92200

TYPE NUMBERS
0007 through 1249.

TABLE OF CONTENTS

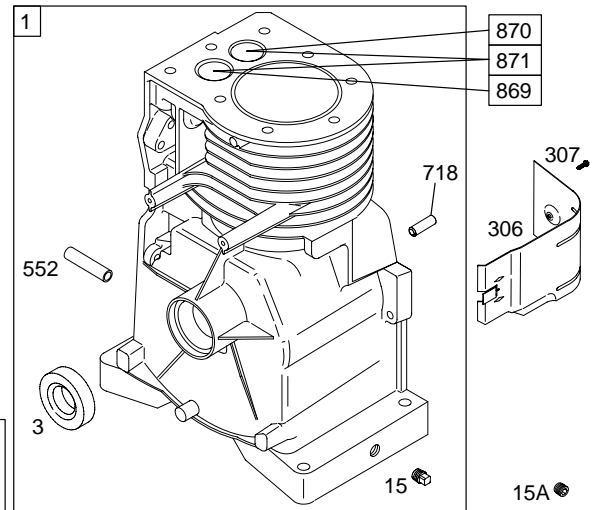
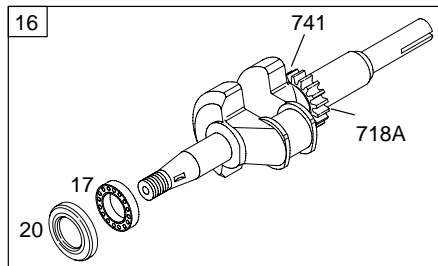
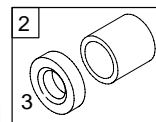
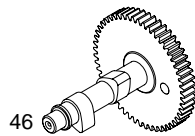
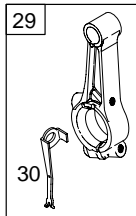
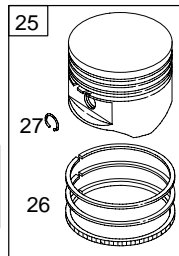
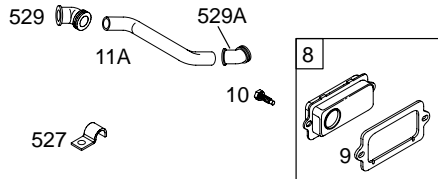
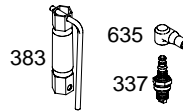
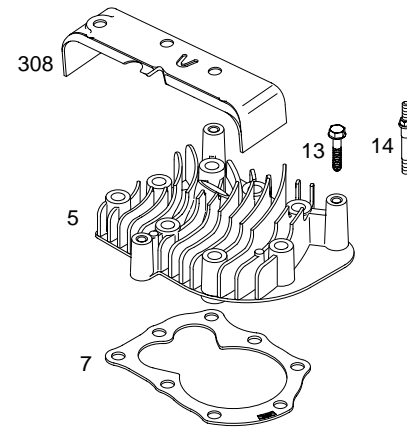
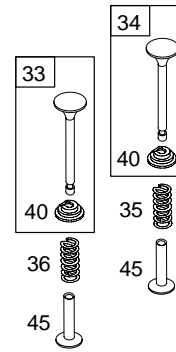
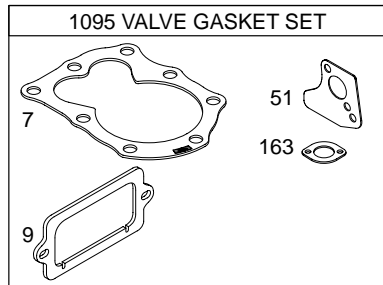
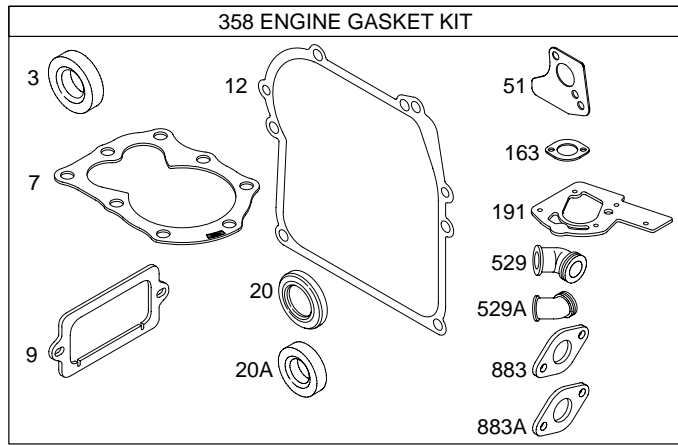
Air Cleaner	6
Blower Housing	8
Cam	2
Carburetor	4
Controls	5
Crankcase Cover/Sump	3
Crankshaft	2
Cylinder	2
Flywheel	7
Fuel Tank	4
Gear Reducer	3
Governor Spring	5
Head	2
Ignition	5
Kits/Gaskets – Carburetor	4
Kits/Gaskets – Valves	2
Muffler	6
Piston Group	2
Rewind Starter	7
Rewind Starter/Blower Housing	8
Valves	2

PRINTED IN U.S.A.



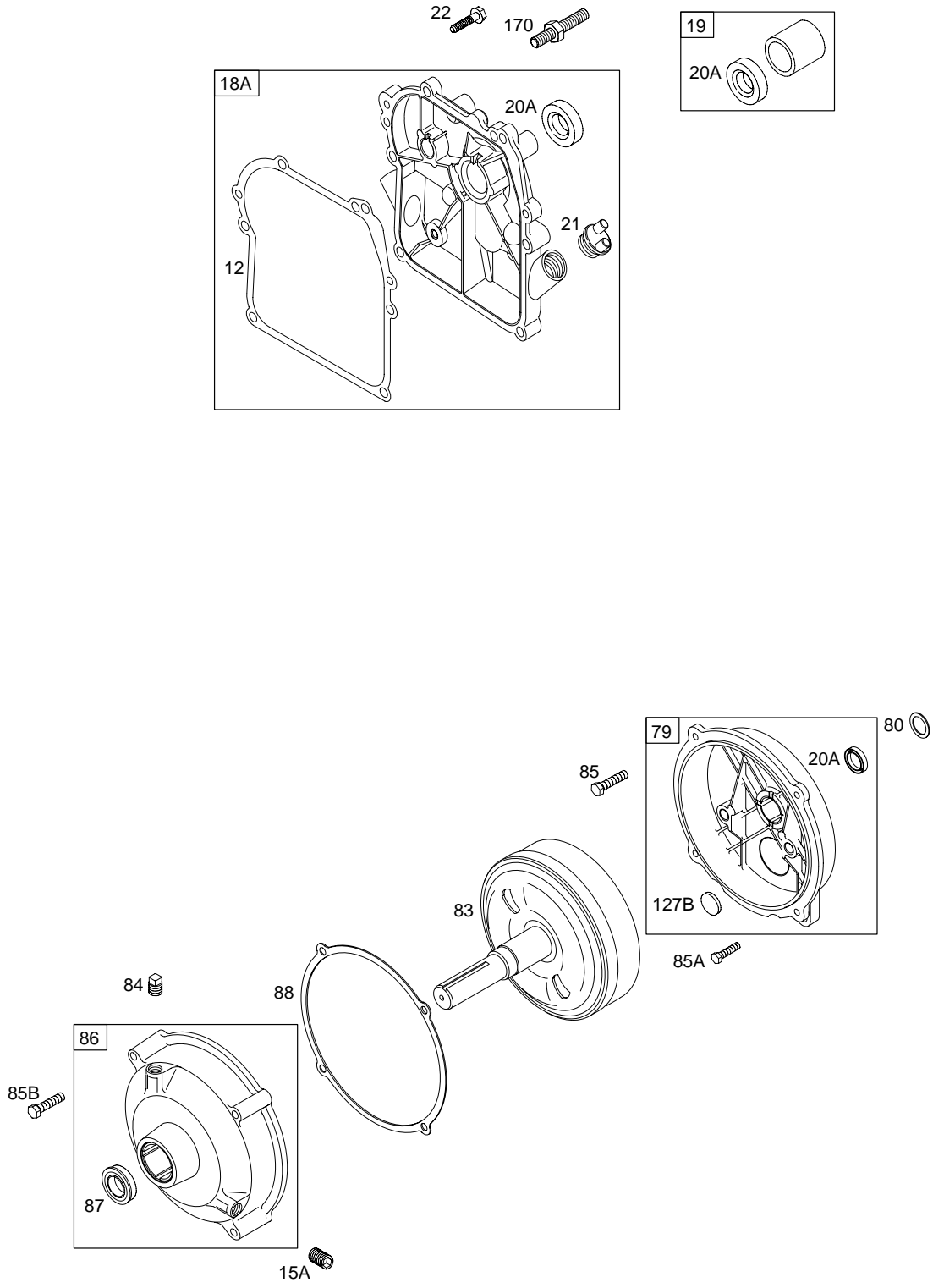
COPYRIGHT by BRIGGS & STRATTON CORPORATION
All rights reserved. No part of this material may be reproduced or transmitted, in any form or by any means, electronic or mechanical, including photocopying, recording or by any information storage and retrieval system, without permission in writing from Briggs & Stratton Corporation.

92200

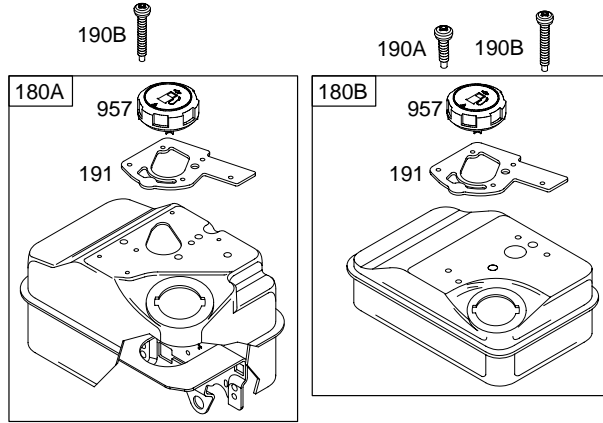
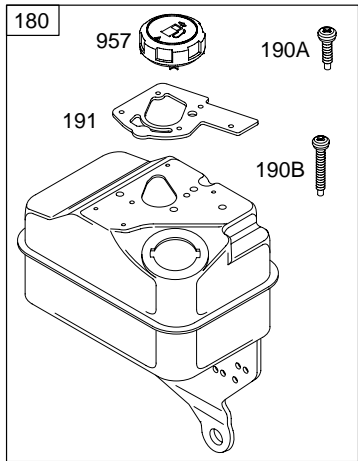


- 1019 LABEL KIT
- 1058 OWNER'S MANUAL
- 1330 REPAIR MANUAL

Illustrations cover a range of engines. Parts shown without corresponding text may not be used on your specific engine.
0523-2 Assemblies include all parts shown in frames. **05/10/2004**



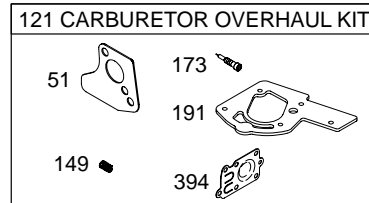
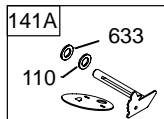
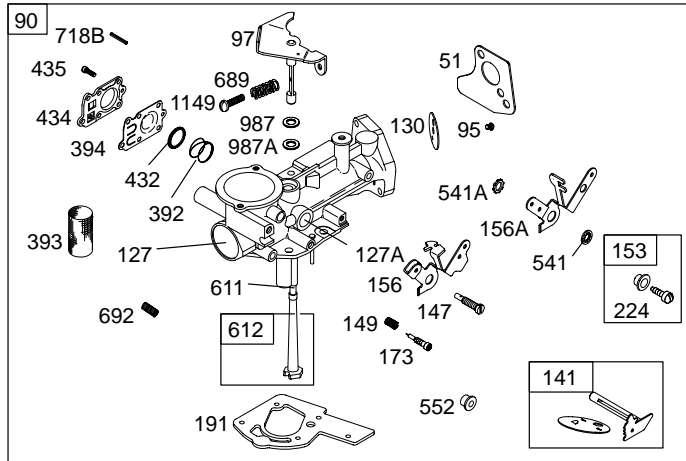
Illustrations cover a range of engines. Parts shown without corresponding text may not be used on your specific engine.
0523-3 Assemblies include all parts shown in frames. 05/10/2004

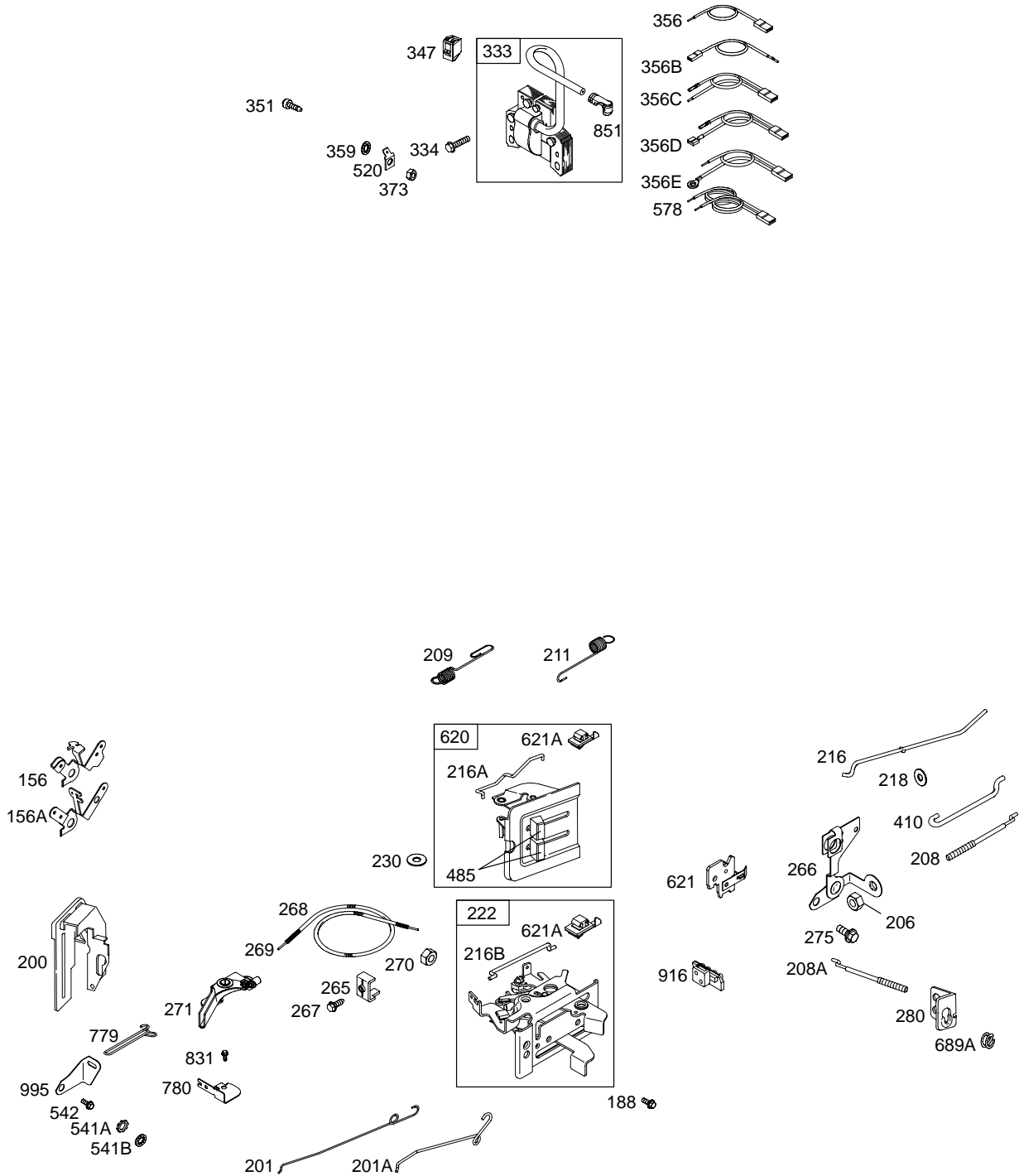


Carburetor Mounting Surface
Pickup Tube

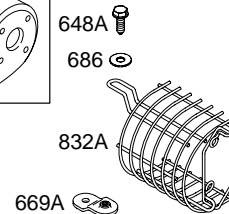
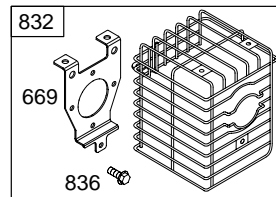
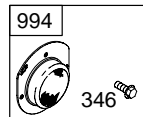
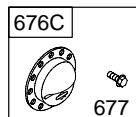
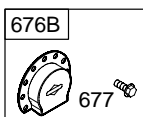
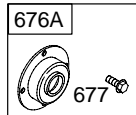
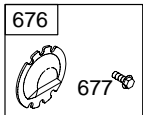
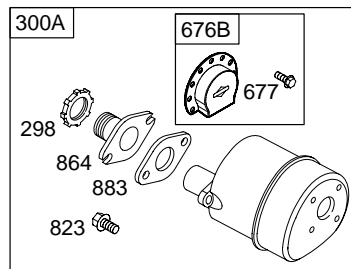
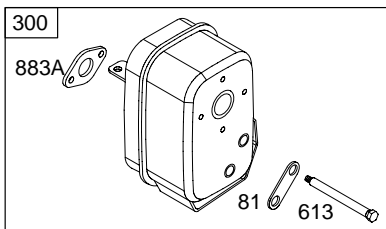
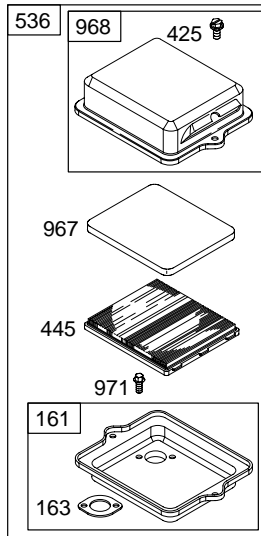
To replace carburetor assembly, determine fuel tank capacity as shown.

Fuel Tank Capacity (Quarts)	1	2	3
D (Inches)	2-5/16	4-1/4	4-7/8

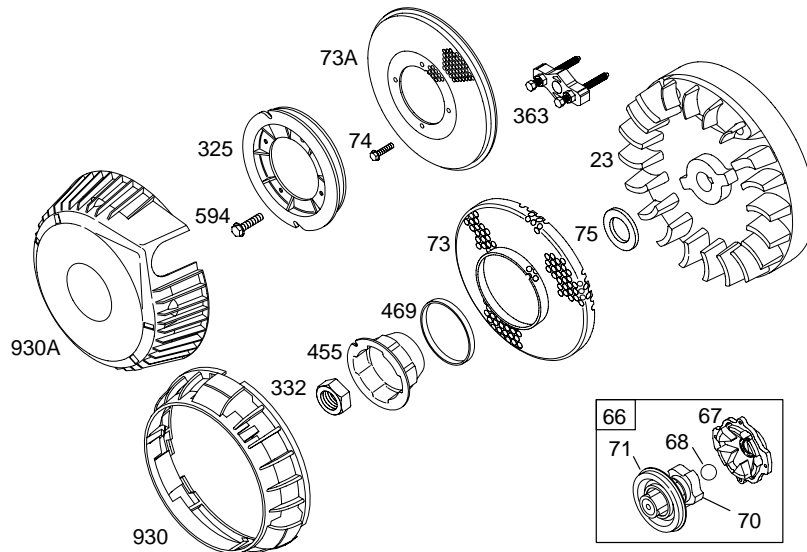
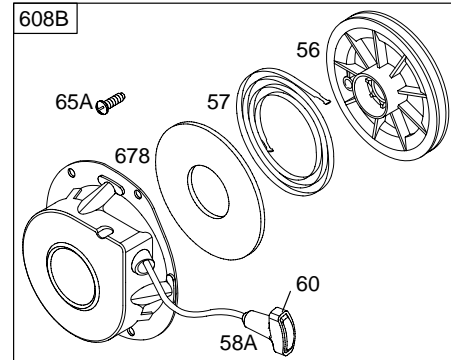
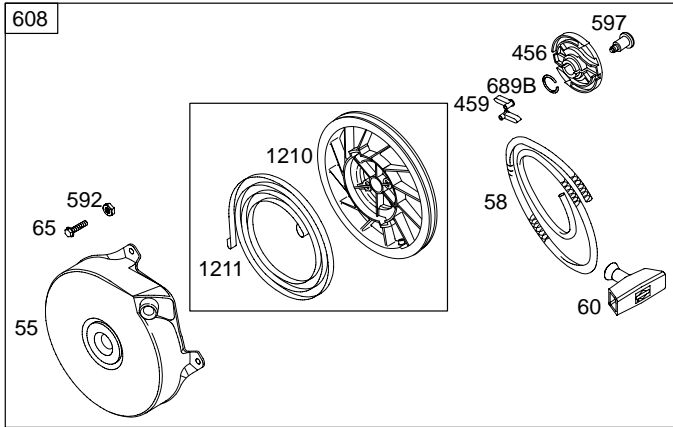




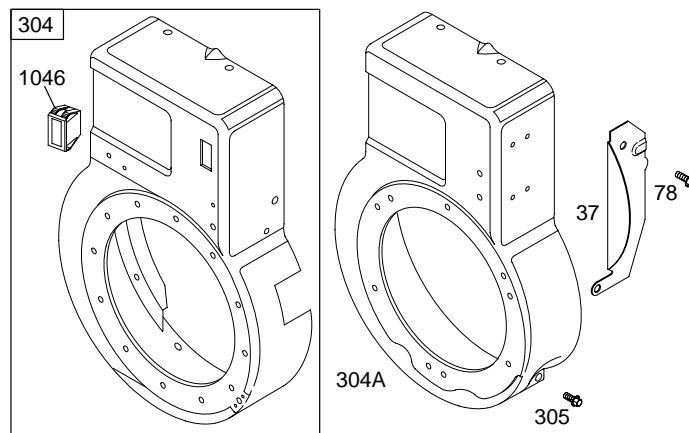
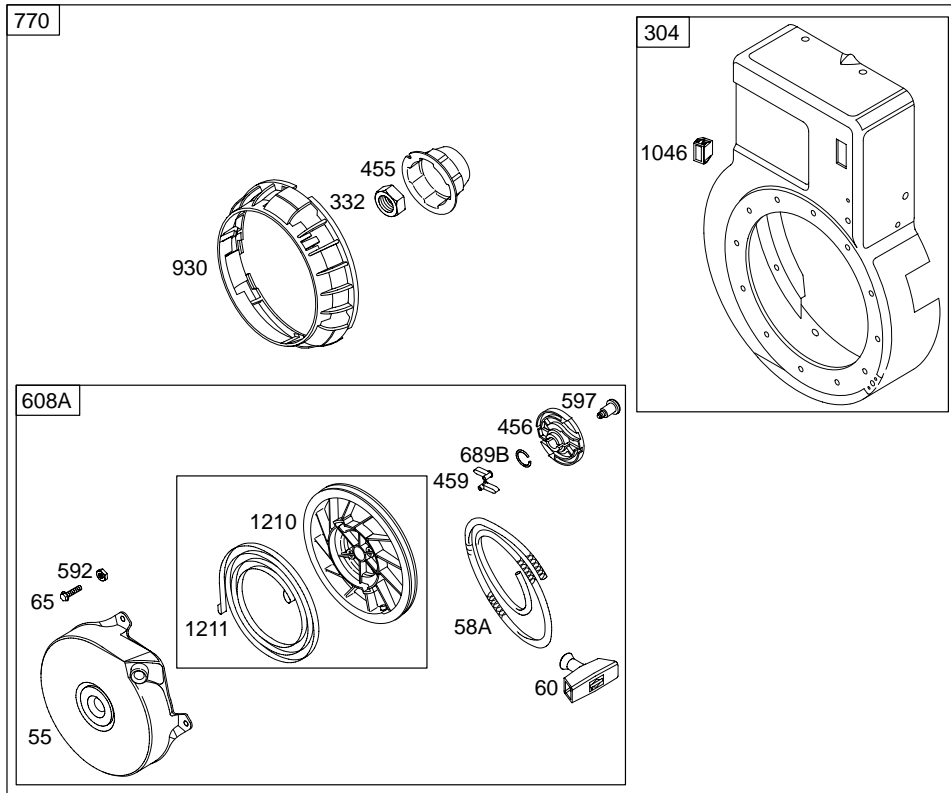
Illustrations cover a range of engines. Parts shown without corresponding text may not be used on your specific engine.
 0523-5 Assemblies include all parts shown in frames. 05/10/2004



Illustrations cover a range of engines. Parts shown without corresponding text may not be used on your specific engine.
0523-6 Assemblies include all parts shown in frames. **05/10/2004**



Illustrations cover a range of engines. Parts shown without corresponding text may not be used on your specific engine.
 0523-7 Assemblies include all parts shown in frames. 05/10/2004



1036 EMISSION LABEL

Illustrations cover a range of engines. Parts shown without corresponding text may not be used on your specific engine.

REF. NO.	PART NO.	DESCRIPTION	REF. NO.	PART NO.	DESCRIPTION	REF. NO.	PART NO.	DESCRIPTION
1	695162	Cylinder Assembly (Used After Code Date 99103100). ———— Note ——— 497333 Cylinder Assembly (Used Before Code Date 99110100).	16	497232	Crankshaft ———— Note ——— 492880 Crankshaft Used on Type No(s). 1246. 493599 Crankshaft Used on Type No(s). 0049, 0127, 0129, 0137, 1049, 1227, 1229, 1237. 495210 Crankshaft Used on Type No(s). 0008, 0036, 0123, 0135, 0136. 690821 Crankshaft Used on Type No(s). 0007, 0035, 0121, 0122, 0128, 0130, 0134, 0139, 0140, 0141, 1007, 1035, 1230, 1241, 1243, 1244, 1245, 1247, 1249. 691474 Crankshaft Used on Type No(s). 1242. 492095 Crankshaft Used on Type No(s). 1008, 1036, 1235.	19	399269	Kit–Bushing/Seal (PTO Side) (For Use With Plain Bearing Cover)
2	399269	Kit–Bushing/Seal (Magneto Side)				20	692020	Seal–Oil (PTO Side) (For Use With Ball Bearing Cover)
3	★299819	Seal–Oil (Magneto Side)				20A	★299819	Seal–Oil (PTO Side) (For Use With Plain Bearing Cover)
5	690386	Head–Cylinder				21	281658	Cap–Oil Fill
7	★Ø692288	Gasket–Cylinder Head				22	691129	Screw (Crankcase Cover) ———— Note ——— 693732 Screw (Crankcase Cover) (Used in Positions 1 and 6) Used on Type No(s). 1049, 1227, 1229, 1237, 1246. 691127 Screw (Crankcase Cover) (Used in Positions 1 and 6) Used on Type No(s). 0049, 0127, 0129, 0133, 0137.
8	495774	Breather Assembly	17	690824	Ball Bearing	23	690843	Flywheel ———— Note ——— 692009 Flywheel Used on Type No(s). 0135, 1235. 496893 Flywheel Used on Type No(s). 0133, 0138, 0141, 0142, 1238, 1241, 1242, 1249.
9	★Ø27549	Gasket–Breather ———— Note ——— 695890 Gasket–Breather Used on Type No(s). 1008, 1036, 1040, 1035, 1200, 1218, 1238, 1241, 1243, 1244, 1245, 1247.	18A	497502	Cover–Crankcase (Ball Bearing Cover) ———— Note ——— 394820 Cover–Crankcase (Plain Bearing Cover) Used on Type No(s). 0142, 1242. 496679 Cover–Crankcase (Plain Bearing Cover, Flange Mount) Used on Type No(s). 0049, 0127, 0129, 0133, 0137, 1049, 1227, 1229, 1237, 1246.	24	222698	Key–Flywheel
10	691666	Screw (Breather Assembly)						
11A	692528	Tube–Breather						
12	★692218	Gasket–Crankcase (.015" Thick, Standard) ———— Note ——— ★270895 Gasket–Crankcase (.005" Thick) ★270896 Gasket–Crankcase (.009" Thick)						
13	691640	Screw (Cylinder Head)						
14	690361	Stud (Cylinder Head)						
15	691686	Plug–Oil Drain (Square Head)						
15A	691682	Plug–Oil Drain (Hex Socket)						

★ Included in Engine Gasket Set–Ref. No.358.

● Included in Carburetor Overhaul Kit–Ref. No. 121.

◆ Included in Carburetor Gasket Set–Ref. No. 977.

Ø Included in Valve Gasket Set–Ref. No 1095.

Illustrations cover a range of engines. Parts shown without corresponding text may not be used on your specific engine.

92200

REF. NO.	PART NO.	DESCRIPTION	REF. NO.	PART NO.	DESCRIPTION	REF. NO.	PART NO.	DESCRIPTION
25	498668	Piston Assembly (Standard) (Used After Code Date 96012800). Note 498669 Piston Assembly (Standard) (Used Before Code Date 96012900). 498669 Piston Assembly (.010" Oversize) (Used After Code Date 96012800). 393820 Piston Assembly (.010" Oversize) (Used Before Code Date 96012900). 498670 Piston (.020" Oversize) (Used After Code Date 96012800). 298906 Piston Assembly (.020" Oversize) (Used Before Code Date 96012900). 498671 Piston Assembly (.030" Oversize) (Used After Code Date 96012800). 298907 Piston Assembly (.030" Oversize) (Used Before Code Date 96012900).	26	695169	Ring Set (Standard) (Used After Code Date 99103100). Note 498680 Ring Set (Standard) (Used After Code Date 96012800 and Before Code Date 99110100). 399067 Ring Set (Standard) (Used Before Code Date 96012900). 695171 Ring Set (.010" Oversize) (Used After Code Date 99103100). 498681 Ring Set (.010" Oversize) (Used After Code Date 96012800 and Before Code Date 99110100). 399014 Ring Set (.010" Oversize) (Used Before Code Date 96012900). 695172 Ring Set (.020" Oversize) (Used After Code Date 99103100). 498682 Ring Set (.020" Oversize) (Used After Code Date 96012800 and Before Code Date 99110100). 399015 Ring Set (.020" Oversize) (Used Before Code Date 96012900).			695173 Ring Set (.030" Oversize) (Used After Code Date 99103100). 498683 Ring Set (.030" Oversize) (Used After Code Date 96012800 and Before Code Date 99110100). 399016 Ring Set (.030" Oversize) (Used Before Code Date 96012900). 27 691588 Lock-Piston Pin 28 298909 Pin-Piston (Standard) Note 298908 Pin-Piston (.005" Oversize) 29 294367 Rod-Connecting (Standard) Note 296079 Rod-Connecting (.020" Undersize) 30 691719 Dipper-Connecting Rod 32 691664 Screw (Connecting Rod) 33 497871 Valve-Exhaust 34 296677 Valve-Intake 35 690520 Spring-Valve (Intake) 36 690520 Spring-Valve (Exhaust) 37 690463 Guard-Flywheel 40 692194 Retainer-Valve 45 691762 Tappet-Valve 46 691998 Camshaft 51 ★∅● 273113 Gasket-Intake 55 692144 Housing-Rewind Starter

★ Included in Engine Gasket Set-Ref. No.358.

● Included in Carburetor Overhaul Kit-Ref. No. 121.

◆ Included in Carburetor Gasket Set-Ref. No. 977.

∅ Included in Valve Gasket Set-Ref. No 1095.

Illustrations cover a range of engines. Parts shown without corresponding text may not be used on your specific engine.

REF. NO.	PART NO.	DESCRIPTION	REF. NO.	PART NO.	DESCRIPTION	REF. NO.	PART NO.	DESCRIPTION
56	280439	Pulley–Starter	84	691121	Plug–Breather	95	691437	Screw
57	490179	Spring–Rewind Starter	85	690369	Screw			(Throttle Valve)
58	280399	Rope–Starter			(Gear Reduction Case)	97	692018	Shaft–Throttle
		(99" Long)			(7/8" Long)	110	690401	Washer
		(Cut to Required Length)	85A	691122	Screw			(Choke Shaft)
58A	280406	Rope–Starter			(Gear Reduction Case)	121	495606	Kit–Carburetor
		(Cut to Required Length)			(1 1/2" Long)			Overhaul
60	691915	Grip–Starter Rope	85B	691117	Screw	127	691718	Plug–Welch
65	690837	Screw			(Gear Cover to Gear Reduction)	127A	691742	Plug–Welch
		(Rewind Starter)	86	690608	Cover–Gear	127B	691585	Plug–Welch
65A	690338	Screw	87	691582	Seal–Gear Reduction	130	691743	Valve–Throttle
		(Rewind Starter)	88	691600	Gasket–Gear	141	497230	Kit–Choke Shaft
66	399671	Clutch–Starter			Reduction Cover			(Used After Code Date 94083100).
		(Used Before Code Date 97060600).	90	495459	Carburetor			———— Note ————
67	394897	Housing–Clutch			(For 2 Quart Tank)			491177 Kit–Choke
68	691604	Ball–Clutch			———— Note ————			Shaft
70	691945	Ratchet–Clutch			499952 Carburetor			(Used Before Code Date 94090100).
71	691359	Cover–Ratchet			(For 2 Quart Tank)	141A	497231	Kit–Choke Shaft
73	691725	Screen–Rotating			Used on Type No(s).			(Used After Code Date 94083100).
		(Used After Code Date 97060500).			1007, 1035, 1036,			———— Note ————
73A	694018	Screen–Rotating			1040, 1049, 1200,			490495 Kit–Choke
		(Used Before Code Date 97060600).			1229, 1230, 1237,			Shaft
74	691627	Screw			1238, 1241, 1242,			(Used Before Code Date 94090100).
		(Rotating Screen)			1243, 1244, 1245,	147	691250	Jet–Pilot
75	223047	Washer			1246, 1249.			———— Note ————
		(Flywheel)			495460 Carburetor			499502 Jet–Pilot
78	690364	Screw			(For 3 Quart Tank)			(High Altitude)
		(Flywheel Guard)			Used on Type No(s).	149	●691592	Spring–Needle Valve
79	690605	Case–Gear Reduction			0008, 0118, 0123,	153	490501	Kit–Collar/Screw
80	691602	Gasket–Gear Case			0127, 0135, 0136.	156	690439	Lever–Speed Adjuster
81	691179	Lock–Muffler Screw			499953 Carburetor	156A	690438	Lever–Speed Adjuster
83	690374	Shaft–Auxiliary Drive			(For 3 Quart Tank)	161	694484	Base–Air Cleaner
					Used on Type No(s).			(Metal)
					1008, 1218, 1227,	163	★Ø271935	Gasket–Air Cleaner
					1235.			
					499492 Carburetor			
					(1 Quart Air Vane)			
					Used on Type No(s).			
					1247.			

★ Included in Engine Gasket Set–Ref. No.358.

● Included in Carburetor Overhaul Kit–Ref. No. 121.

◆ Included in Carburetor Gasket Set–Ref. No. 977.

Ø Included in Valve Gasket Set–Ref. No 1095.

Illustrations cover a range of engines. Parts shown without corresponding text may not be used on your specific engine.

92200

REF. NO.	PART NO.	DESCRIPTION	REF. NO.	PART NO.	DESCRIPTION	REF. NO.	PART NO.	DESCRIPTION
170	691120	Stud (Crankcase Cover) Used on Type No(s). 0035, 0036, 0040, 0130, 1035, 1036, 1040, 1230.	190	691685	Screw (Fuel Tank)			692612 Spring– Governor
173	●691777	Valve–Idle Mixture	190A	692200	Screw (Fuel Tank)			Used on Type No(s). 1241.
180	495377	Tank–Fuel (2 Quart) Used on Type No(s). 0100, 0121, 0122, 0129, 0133, 0134, 0138, 0139, 0140, 0141, 0142, 1007, 1035, 1036, 1040, 1049, 1200, 1229, 1230, 1237, 1238, 1241, 1242, 1243, 1245, 1246, 1249.	190B	691687	Screw			692911 Spring– Governor
		Note	191	★692241	Gasket–Fuel Tank (Used After Code Date 92090600).			Used on Type No(s). 1036, 1218, 1227, 1235.
		495391 Tank–Fuel (3 Quart) Used on Type No(s). 0118, 0123, 0135, 0136, 1008, 1218, 1227, 1235.			Note			692613 Spring– Governor
		Note	200	498770	Blade–Governor		211	691289 Spring–Governed Idle
		495388 Tank–Fuel (3 Quart) Used on Type No(s). 0008, 0127.	201	691822	Link–Air Vane		216	690551 Link–Choke
180A	495376	Tank–Fuel (2 Quart) Used on Type No(s). 0007, 0035, 0036, 0040, 0049, 0128, 0130, 0137.	201A	691305	Link–Air Vane		216A	691824 Link–Choke
		Note	206	691771	Nut (Governor Control Rod)		216B	692904 Link–Choke
		495388 Tank–Fuel (3 Quart) Used on Type No(s). 0008, 0127.	208	691820	Rod–Governor Control		217	691815 Spring–Choke Return
180B	495370	Tank–Fuel (1 Quart) Used on Type No(s). 1247.	208A	691821	Rod–Governor Control		218	691722 Washer (Choke Link)
188	692200	Screw (Control Bracket) (Fuel Tank)	209	692205	Spring–Governor		222	699132 Bracket–Control Used on Type No(s). 1247.
					Note		224	690320 Screw (Collar/Screw Kit)
					690373 Spring– Governor Used on Type No(s). 0036, 0123, 0127, 0135, 0136, 0137, 0138.		230	690390 Washer (Control Bracket) (Used On Engines Without–Speed Control Panel, Ref. 620)
					691785 Spring– Governor Used on Type No(s). 0128, 0141.		265	691024 Clamp–Casing
					691825 Spring– Governor Used on Type No(s). 0118.		266	691414 Control–Throttle
					690563 Spring– Governor Used on Type No(s). 0008, 0133, 0142, 1008, 1238, 1242, 1246, 1249.			

★ Included in Engine Gasket Set–Ref. No.358.

● Included in Carburetor Overhaul Kit–Ref. No. 121.

◆ Included in Carburetor Gasket Set–Ref. No. 977.

⊘ Included in Valve Gasket Set–Ref. No 1095.

Illustrations cover a range of engines. Parts shown without corresponding text may not be used on your specific engine.

REF. NO.	PART NO.	DESCRIPTION	REF. NO.	PART NO.	DESCRIPTION	REF. NO.	PART NO.	DESCRIPTION
267	691082	Screw (Casing Clamp) ———— Note ———— 692577 Screw (Casing Clamp) (Used After Code Date 03092600). Used on Type No(s). 1243, 1245, 1247. 690804 Screw (Casing Clamp) (Used Before Code Date 03092700). Used on Type No(s). 1243, 1245, 1247.	307	691660	Screw (Cylinder Shield)	434	691713	Cover—Diaphragm
268	691025	Casing—Control Wire	308	690462	Cover—Cylinder Head	435	691619	Screw (Diaphragm Cover)
269	691026	Wire—Control	325	690590	Pulley—Starter Rope	445	491588	Filter—Air Cleaner Cartridge
270	691027	Nut (Control Wire Casing)	332	690662	Nut (Flywheel)	455	691236	Cup—Flywheel
271	691028	Lever—Control	333	496914	Armature—Magneto	456	692299	Plate—Pawl Friction
275	691683	Screw (Throttle Control)	334	691061	Screw (Magneto Armature)	459	281505	Pawl—Ratchet
280	691184	Bracket—Rod ———— Note ———— 690424 Bracket—Rod Used on Type No(s). 0008, 0127.	337	802592	Plug—Spark (Resistor) ———— Note ———— 492167 Plug—Spark	469	694420	Ring—Rotating Trim Used on Type No(s). 1007, 1008, 1200, 1237, 1241, 1243, 1245.
298	691720	Locknut—Muffler/Elbow	346	690661	Screw (Spark Arrester)	485	692295	Knob—Control
300	691360	Muffler	347	691396	Switch—Rocker	520	691084	Terminal—Ground
300A	493288	Muffler	351	90200	Screw (Ground Terminal)	527	691741	Clamp—Tube
304	692622	Housing—Blower	356	692390	Wire—Stop	529	★692189	Grommet
304A	693004	Housing—Blower ———— Note ———— 690665 Housing— Blower Used on Type No(s). 0007, 0122, 0137.	356B	690791	Wire—Stop	529A	★692187	Grommet
305	692198	Screw (Blower Housing)	356C	691418	Wire—Stop	536	494279	Air Cleaner
306	690461	Shield—Cylinder	356D	691409	Wire—Stop	541	690288	Washer (Speed Adjuster Lever)
			356E	490346	Wire—Stop	541A	690299	Washer (Speed Adjuster Lever)
			357	692191	Key—Drive Pulley	541B	691067	Washer (Speed Adjuster Lever) (Used In Place Of Stop Switch, Ref. 621)
			358	496865	Gasket Set—Engine			
			359	691077	Washer (Ground Terminal)	542	691683	Screw (Link Bracket)
			363	19069	Puller—Flywheel	552	690508	Bushing—Governor Crank
			365	690953	Screw (Carburetor)	578	398153	Wire Assembly
			373	691612	Nut (Ground Terminal)	592	690800	Nut (Rewind Starter)
			383	89838	Wrench—Sparkplug	594	691692	Screw (Starter Rope Pulley) Used on Type No(s). 0007, 0122, 0137.
			392	691823	Spring—Pump Diaphragm			
			393	691213	Screen—Carburetor			
			394	●272538	Diaphragm—Carburetor			
			410	691274	Link—Control			
			425	694515	Screw (Air Cleaner Cover)			
			432	690766	Spring—Cap			

★ Included in Engine Gasket Set—Ref. No.358.

● Included in Carburetor Overhaul Kit—Ref. No. 121.

◆ Included in Carburetor Gasket Set—Ref. No. 977.

⊘ Included in Valve Gasket Set—Ref. No 1095.

Illustrations cover a range of engines. Parts shown without corresponding text may not be used on your specific engine.

92200

REF. NO.	PART NO.	DESCRIPTION	REF. NO.	PART NO.	DESCRIPTION	REF. NO.	PART NO.	DESCRIPTION
597	691696	Screw (Pawl Friction Plate)	689	691783	Spring-Friction (Carburetor)	967	491435	Filter-Pre Cleaner
608	690101	Starter-Rewind (Used After Code Date 97060500).	689A	692522	Spring-Friction (Governor Control Rod)	968	692321	Cover-Air Cleaner
608A	499706	Starter-Rewind (Used After Code Date 97060500). Used on Type No(s). 1200, 1237, 1241, 1246, 1249.	689B	691855	Spring-Friction (Rewind Starter)	971	690859	Screw (Air Cleaner Base)
608B	494068	Starter-Rewind	692	690572	Spring-Detent	987	692279	Seal-Throttle Shaft
611	690507	Pipe-Fuel (For 2 Quart Tank) ————— Note ————— 691770 Pipe-Fuel (For 3 Quart Tank)	718	690959	Pin-Locating (Crankcase Cover)	987A	270167	Seal-Throttle Shaft
612	391813	Tube-Pick Up (2 And 3 Quart Tanks) ————— Note ————— 297219 Tube-Pick Up (1 Quart Tank)	718A	499047	Pin-Locating (Timing Gear)	994	398067	Arrestor-Spark
613	691632	Screw (Muffler)	718B	690296	Pin-Locating (Diaphragm Cover)	995	691756	Bracket-Link
620	490649	Panel-Speed Control	741	691805	Gear-Timing	1019	497335	Kit-Label
621	691941	Switch-Stop	770	690098	Kit-Rewind/Blower Housing	1036	695097	Label-Emission (Used After Code Date 99093000).
621A	692310	Switch-Stop	779	691828	Link-Bell Crank			————— Note ————— 694421 Label- Emission (Used Before Code Date 9910010 and After Code Date 98123100).
633	691869	Washer (Choke Shaft)	780	691211	Anchor-Spring			499329 Label- Emission (Used After Code Date 97063000 and Before Code Date 99010100).
635	66538	Boot-Sparkplug	823	692336	Screw (Muffler)			499328 Label- Emission (Used Before Code Date 97070100).
648	690661	Screw (Muffler Guard Bracket)	831	691099	Screw (Spring Anchor)	1046	691337	Plug-Blower Housing
648A	690664	Screw (Muffler Guard)	832	490571	Guard-Muffler Used on Type No(s). 1229.	1058	274778	Owner's Manual
669	690427	Bracket-Muffler Guard	832A	690789	Guard-Muffler	1095	498694	Gasket Set-Valve (Used After Code Date 96073100).
669A	691194	Bracket-Muffler Guard	836	690367	Screw (Muffler Guard)			————— Note ————— 498524 Gasket Set-Valve (Used Before Code Date 96080100).
676	393756	Deflector-Muffler	851	493880	Terminal-Sparkplug	1149	691624	Screw (Throttle Shaft)
676A	397931	Deflector-Muffler	864	690776	Adapter-Muffler	1210	499901	Pulley/Spring Assembly (Pulley)
676B	393760	Deflector-Muffler	869	691701	Seat-Valve (Intake)	1211	499901	Pulley/Spring Assembly (Spring)
676C	396548	Deflector-Muffler	870	691702	Seat-Valve (Exhaust)	1330	270962	Repair Manual
677	690661	Screw (Muffler Deflector)	871	262001	Bushing-Valve Guide (Exhaust) ————— Note ————— 63709 Bushing-Valve Guide (Intake)			
678	490817	Spacer-Rewind	883	★691314	Gasket-Exhaust			
686	691186	Washer (Muffler Guard Bracket)	883A	★691880	Gasket-Exhaust			
			916	691900	Rack-Governor Gear			
			930	691348	Guard-Rewind			
			930A	690601	Guard-Rewind			
			957	494559	Cap-Fuel Tank (Plastic)			

★ Included in Engine Gasket Set-Ref. No.358.

● Included in Carburetor Overhaul Kit-Ref. No. 121.

◆ Included in Carburetor Gasket Set-Ref. No. 977.

⊘ Included in Valve Gasket Set-Ref. No. 1095.

Illustrations cover a range of engines. Parts shown without corresponding text may not be used on your specific engine.