

92500 to 92599

Illustrated Parts List

Model Series

92500 to 92599

Compliance

Non-Compliance

TYPE NUMBERS
3101 through 3110
3133 through 3161
3164 through 3211
5101.

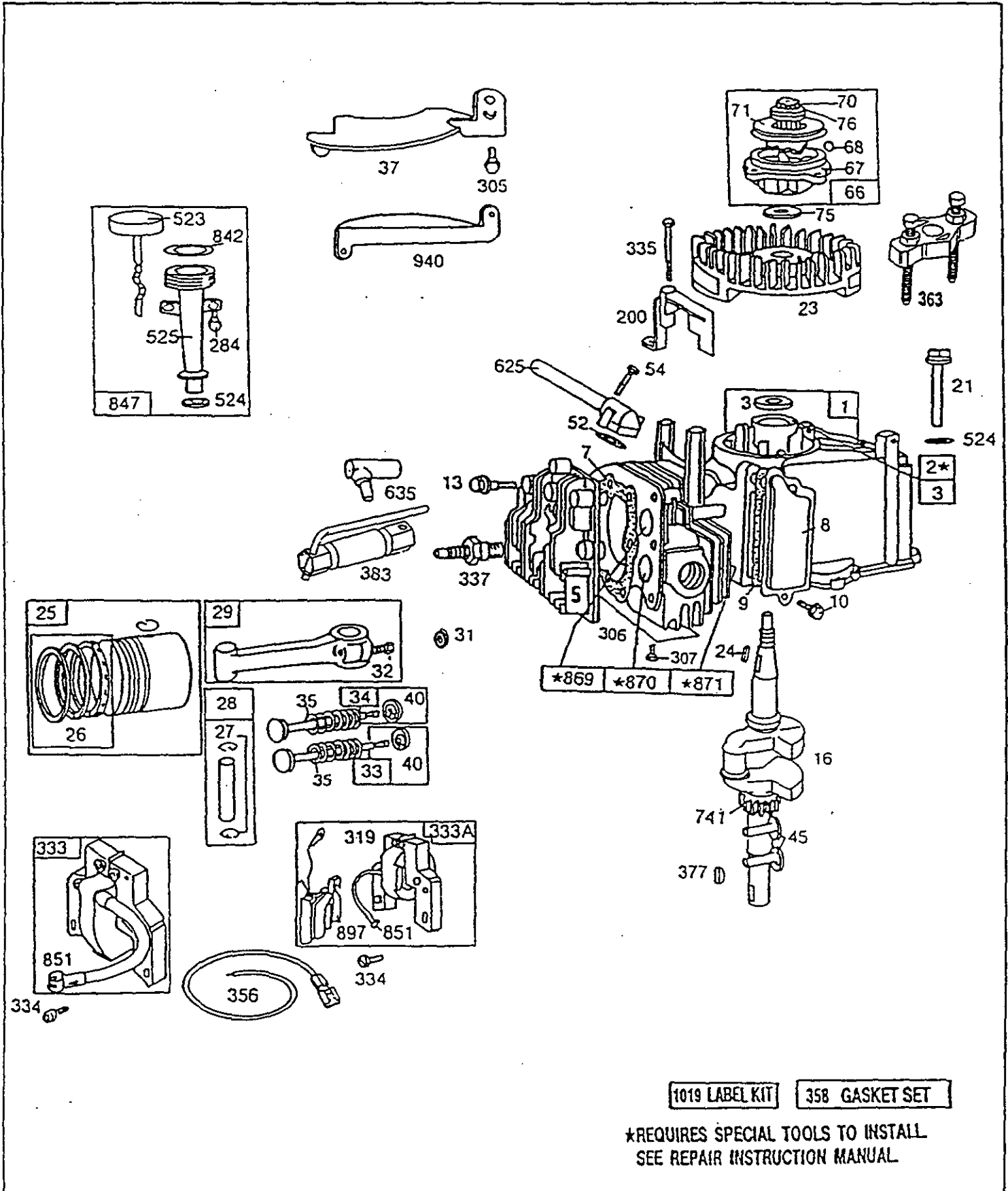
TYPE NUMBERS
5105 through 5115
5130 through 5207
5500, 5501.

TO FIND

**THE CORRECT NUMBER OF THE PART YOU NEED:
FOLLOW THE INSTRUCTIONS BELOW**

- A. Refer to Engine Model, Type and Code Number that is stamped on the blower housing of engine. Engine type numbers such as 0123 01 are listed only as 0123 in most instances. The two digits (01 or 02, etc.) to the right of the space may be required for more accurate parts identification in some instances. Select the Illustrated Parts List covering the correct Model Series and Type Number.
- B. Refer to the Illustrations and compare the original part with Illustration. The number next to the illustration is the Reference Number. Assemblies include all parts shown in frames. All parts shown in assembly frames having individual reference numbers can be purchased separately.
- C. After the Reference Number has been identified, refer to the Numerical text, where Reference and Primary Part Number are listed. **THE PRIMARY PART IS USED ON ALL TYPE NUMBERS EXCEPT THOSE TYPE NUMBERS UNDER "NOTE."**
- D. If a "Note" appears below the Primary Part Number, it means that this part differs from the Primary Part for certain types. If your Type number is listed under "Note," order the part referred to at the "Note."
- E. If your Engine Type Number does not appear after any part number listed under "Note," use the Primary Part Number.
- F. For Engine Type Numbers not covered by this book, check other Parts Lists having the same engine model or contact your source of supply.

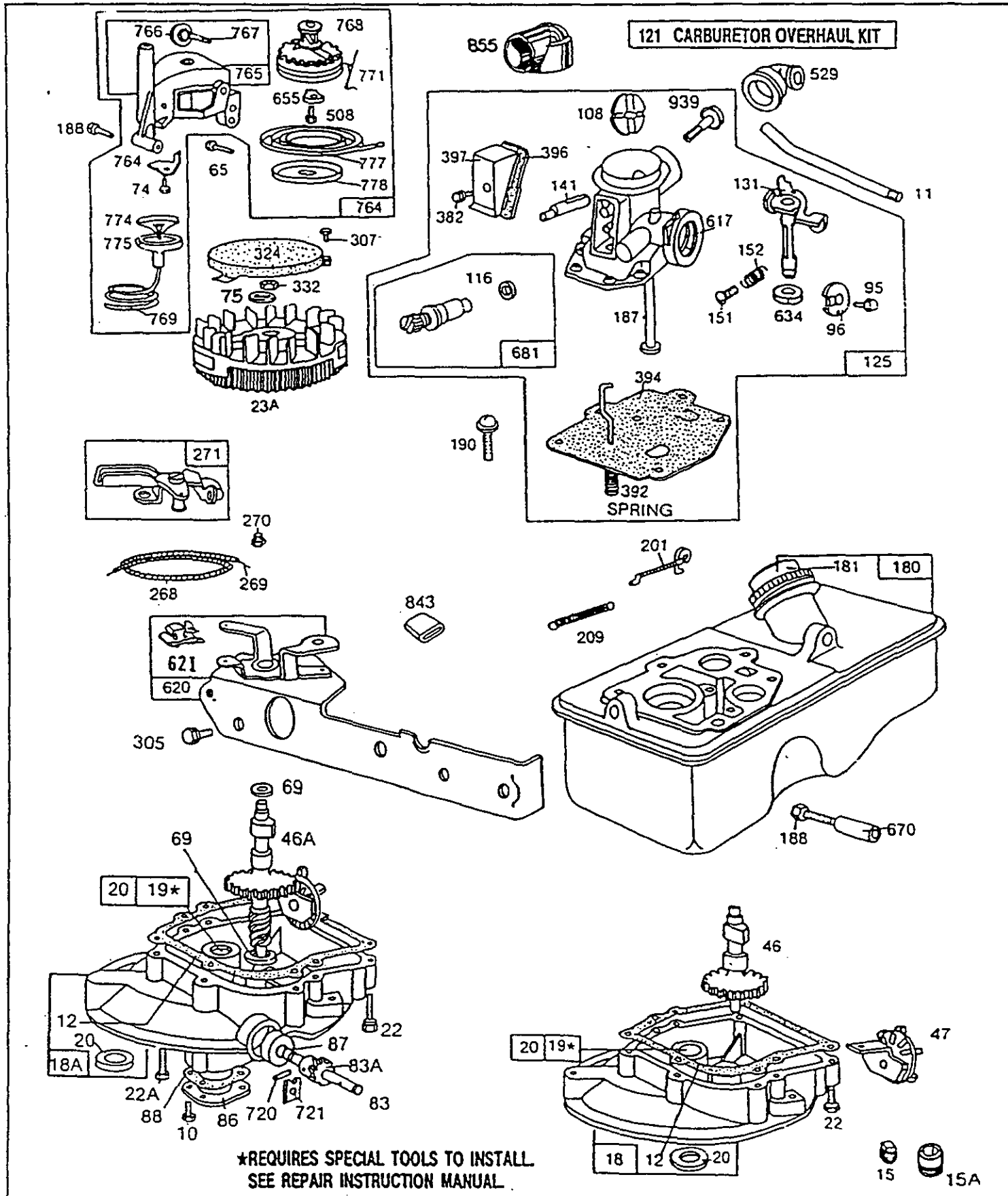
92500 to 92599



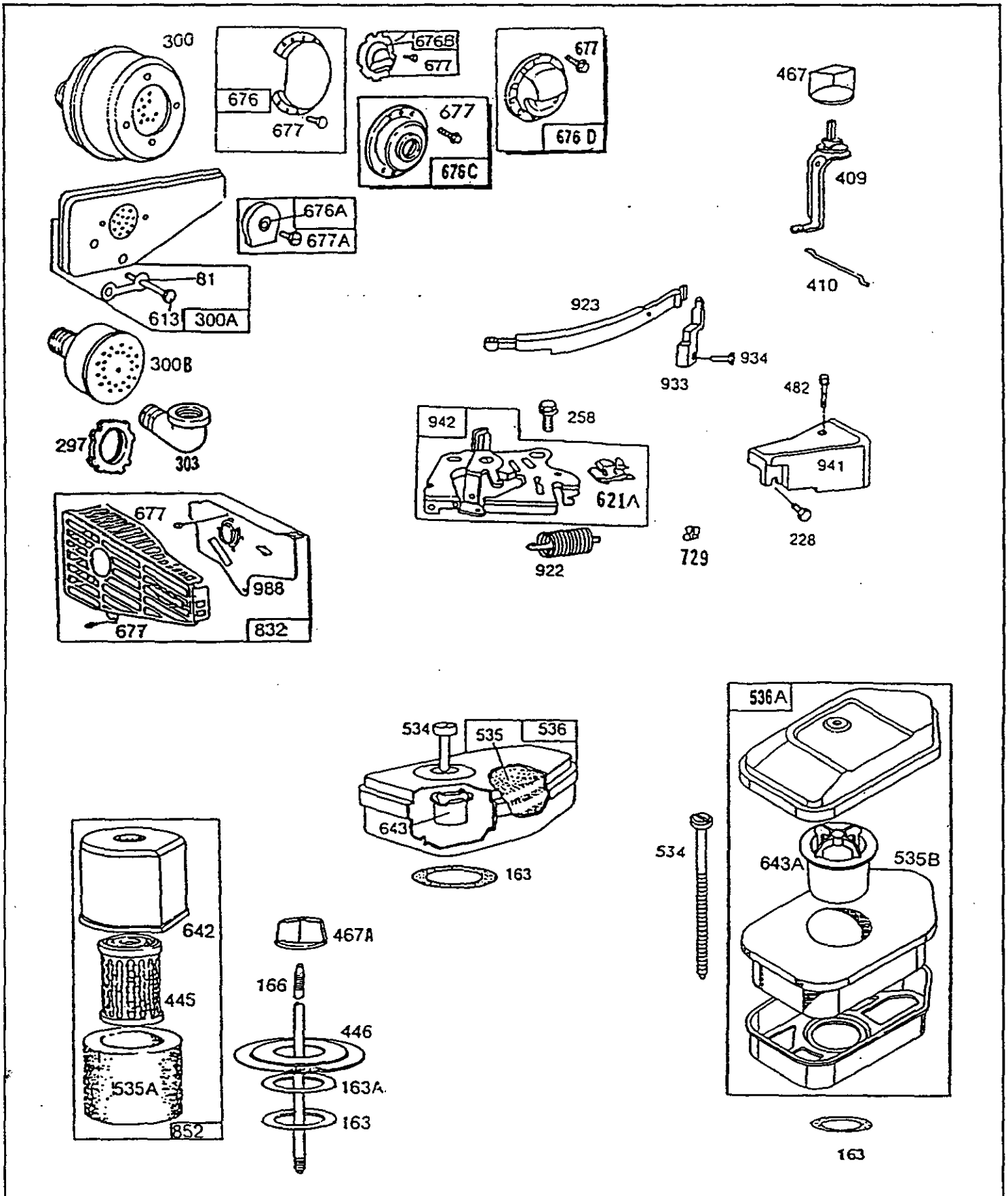
1019 LABEL KIT

358 GASKET SET

*REQUIRES SPECIAL TOOLS TO INSTALL
SEE REPAIR INSTRUCTION MANUAL



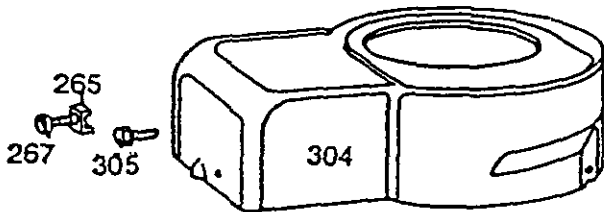
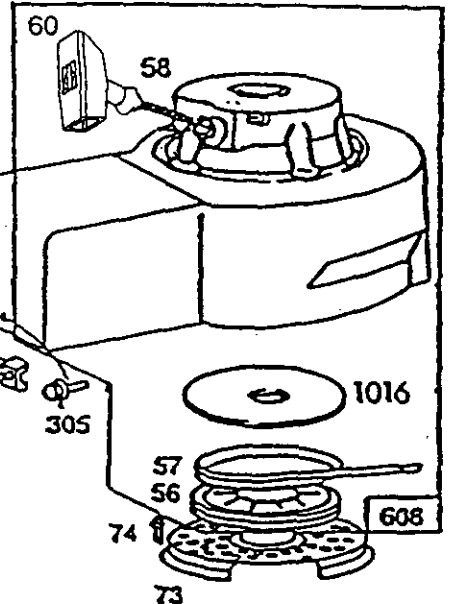
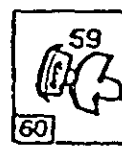
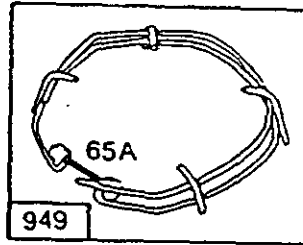
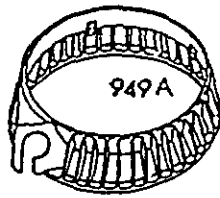
92500 to 92599



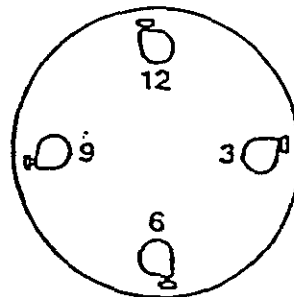
8201-4

Assemblies include all parts shown in frames.

91



↑
CYLINDER
HEAD



O'CLOCK POSITION

REWIND STARTER ASSEMBLIES FOR BAND BRAKE

ROPE LENGTH	CLOCK POSITIONS					
	5	6	9	11	11:30	12
82"	399544	*396678	*396679	490814	490654	*396675

*For Specials, See Text Ref. 608.

REWIND STARTER ASSEMBLIES FOR NON BAND-BRAKE

ROPE LENGTHS	CLOCK POSITIONS				
		3	6	9	12
82"		395912	*399713	*396835	397228

*For Specials, See Text Ref. 608

92500 to 92599

REF. NO.	PART NO.	DESCRIPTION	REF. NO.	PART NO.	DESCRIPTION	REF. NO.	PART NO.	DESCRIPTION
29	294201	Rod Assy.-Connecting Note: For Connecting Rod with .020" Undersize Crankpin Bore-Order Part No. 296079.	70	298799	Ratchet-Rewind Starter			5164, 5165, 5172, 5173, 5199.
31	222282	Washer-Connecting Rod Screw (One for Each Screw)	71	394506	Washer-Clutch Ret.			260877 Spring-Gov. Used on Type Nos. 3133, 3136, 3138, 3174, 3179, 3193, 3204, 5137, 5142, 5149, 5154, 5155, 5157, 5163, 5166, 5167, 5169, 5171, 5175, 5176, 5177, 5178, 5186, 5187, 5195, 5206.
32	94404	Screw-Connecting Rod	73	221661	Screen-Starter Pulley			
33	296676	Valve-Exhaust	74	93490	Screw-Sem			
34	296677	Valve-Intake	75	223047	Washer-Spring			
35	260552	Spring-Intake Valve	76	68238	Washer-Ratchet Sealing			
37	223150	Guard-Flywheel	81	223256	Lock-Muffler Screw			
40	93312	Retainer-Valve Spring	83	230831	Shaft-Drive Note: 231213 Shaft-Drive Used on Type No. 3142.			
45	230173	Tappet-Valve	83A	231278	Gear-Drive Note: 231279 Gear-Drive Used on Type No. 3148.			
46	491675	Gear-Cam (Plastic) Note: 394800 Gear-Cam (Metal)	86	221780	Cover-Base			
46A	396197	Cam Gear, Worm and Oil Slinger Assembly (Clockwise) Note: 395317 Cam Gear-Oil Slinger Assembly (Counterclockwise) Used on Type No. 3148.	87	391484	Seal-Oil			
47	491688	Oil Slinger Gear and Bracket	88	*270328	Gasket-Sump Cover			
52	*270345	Gasket-Intake Elbow	95	93499	Screw-Throttle Valve			
54	93485	Screw-Intake Elbow	96	211203	Valve-Throttle			
56	280439	Pulley-Rewind Starter	108	280370	Valve-Choke			
57	490179	Spring-Rewind Starter	116	●280203	O-Ring			
58	280406	Rope-Rewind Starter (81" Long) Note: 66734 Rope-Rewind Starter (48-5/8" Long) If Longer Rope is Needed, Order Part No. 280399 and Cut to Required Length.	121	494622	Carburetor Overhaul Kit			261060 Spring-Gov. Used on Type Nos. 5147, 5153, 5158, 5185, 5187.
59	396892	Insert-Starter Rope	125	395375	Carburetor Assembly			261061 Spring-Gov. Used on Type Nos. 5151, 5152.
60	393152	Grip-Starter Rope	131	394588	Shaft and Lev.-Throttle			261105 Spring-Gov. Used on Type Nos. 3175, 3183, 3195, 3196, 5105, 5106, 5107, 5174, 5179, 5180, 5184, 5193, 5197, 5202, 5203, 5207.
65	93587	Screw-Vertical Pull Starter Mounting	141	68908	Shaft-Choke			261320 Spring-Gov. Used on Type No. 5170.
65A	94124	Screw-Guard Retaining	151	93524	Screw-Rd. Hd.			261419 Spring-Gov. Used on Type No. 3182.
66	399671	Clutch Assembly-Rewind Starter	152	260746	Spring-Throttle Adj.			261948 Spring-Gov. Used on Type Nos. 5112, 5113, 5183.
67	394897	Housing-Starter Clutch	163	●*271139	Gasket-Air Cleaner Mounting			
68	63770	Ball-Clutch	163A	271077	Gasket-Air Cleaner Mounting			
69	68938	Washer-Thrust	166	231332	Stud-Air Cleaner			
			180	396778	Tank Assembly-Fuel			
			181	298425	Cap-Fuel Tank			
			187	393001	Pipe-Fuel			
			188	93585	Screw-Fuel Tank Mtg.			
			190	93440	Screw-Fuel Tank Mounting Sem			
			200	68388	Blade-Governor			
			201	261027	Link-Governor Note: 260878 Link-Governor Used on Type Nos. 5130, 5131, 5175, 5188, 5192, 5199.			
			209	261106	Spring-Governor Note: 260875 Spring-Gov. Used on Type Nos. 5015, 5135, 5140, 5141, 5146, 5162,			
			228	93758	Screw-Hex. Hd.			
			258	94018	Screw-Sem			

* Included in Gasket Set-Part No. 298989.

● Included in Carburetor Overhaul Kit-Part No. 494622.

92500 to 92599

REF. NO.	PART NO.	DESCRIPTION	REF. NO.	PART NO.	DESCRIPTION	REF. NO.	PART NO.	DESCRIPTION
265	22372	Clamp-Casing	305	94153	Screw-Sem	525	280578	Tube-Oil Fill
	Note:	221535 Clamp-Casing Used on Type No. 3151.	306	221805	Shield-Cylinder			(Used After Code Date 85060200).
267	93469	Screw-Clamp Mtg.	307	93490	Screw-Cylinder Shield			Note: 280382 Tube-Oil Fill
	Note:	93686 Screw-Clamp Mtg. Used on Type No. 3151.	319	395488	Armature Assembly (Less Trigger Coil)			(Used Before Code Date 85060300).
268	66986	Casing-Control Wire (48" Long)	324	223006	Screen-Rotating	529	280368	Grommet-Breather
	Note:	If Longer Casing is Needed, Specify Length in Inches; if a Shorter Casing is Needed, Order Part No. 66986 and Cut to Length.	332	92284	Nut-Flywheel	534	93865	Screw-Air Cleaner
269	26099	Wire-Control, (54" Long)	333	398593	Armature-Magneto	535	270579	Element-Air Cleaner
	Note:	If Longer Wire is Needed, Specify Length in Inches; if a Shorter Wire is Needed, Order Part No. 26099 and Cut to Required Length.	333A	398593	Armature-Magneto	535A	271466	Element-Air Cleaner
270	63426	Locknut-Control Wire Casing	334	93381	Screw-Armature Mtg.	535B	272235	Element-Air Cleaner
271	290568	Lever Assy.-Control	335	93435	Screw-Armature and Governor Blade Mtg.	536	390055	Cleaner Assembly-Air (2-Slanted Sides)
284	94073	Screw-Clamp Mtg.	337	298809	Plug-Spark (1-1/2" High, 38 mm)			Note: For Dual Element Air Cleaner Kit, Order Part No. 393018.
297	220859	Locknut-Muffler		Note:	293918 Plug-Spark (1-1/2" High, 38 mm) (Resistor Type)	536A	493492	Cleaner Assembly-Air Starter Assy.-Rewind
300	394569	Muffler-Exhaust (Lo Tone, 3" O.D.)	356	398808	Wire-Ground	608		See Chart on Illustrated Page.
300A	394644	Muffler-Exhaust	358	298989	Gasket Set			Note: 396247 Starter Assy.-Rewind (6 O'clock) Used on Type No. 3136.
300B	298830	Muffler-Exhaust (2-1/2" O.D.)	363	19069	Puller-Flywheel			396835 Starter Assy.-Rewind (9 O'clock) Used on Type No. 5182.
303	91943	Elbow-Exhaust	377	93065	Key-Woodruff No. 6			490712 Starter Assy. Rewind (6 O'clock) Used on Type Nos. 5187, 5193, 5195, 5199, 5204.
304		Housing-Blower For Type Numbers Not Listed Below, See Ref. No. 608.	382	93864	Screw-Choke Link Cover			490716 Stater Assy.-Rewind (4 O'clock) Used on Type Nos. 5188, 5189.
	Note:	223188 Housing-Blower (For Vertical Pull Starter) Used on Model 92508 Series Engines (Without Band-Brake).	383	89838	Wrench-Spark Plug			494184 Starter Assy.-Rewind (12 O'clock) Used on Type Nos. 3101, 3104, 3151, 3195, 3196, 3204, 3206.
		396346 Housing-Blower (For Dial Trol) Used on Type No. 5207.	392	261016	Spring-Diaphragm	613	93935	Screw-Muffler Mtg.
			394	●299637	Diaphragm-Carburetor	617	●270344	Seal-Intake Tube
			396	●270571	Gasket-Choke Link Cover			
			397	211678	Cover-Choke Link			
			409	299839	Control-Dial			
			410	260993	Link-Control			
			445	396424	Cartridge-Air Cleaner			
			446	222844	Base-Air Cleaner			
			467	299858	Knob-Dial Control			
			467A	212706	Knob-Air Cleaner			
			482	93621	Screw-Sem			
			508	93158	Screw-Sem			
			523	396372	Cap With Dipstick-Oil Fill			
				Note:	For Complete Oil Fill Cap With Dipstick and Oil Fill Tube Assy.-See Ref. No. 847.			
			524	*271485	Seal-Fill Tube			

* Included in Gasket Set-Part No. 298989.

● Included in Carburetor Overhaul Kit-Part No. 494622.

92500 to 92599

REF. NO.	PART NO.	DESCRIPTION	REF. NO.	PART NO.	DESCRIPTION	REF. NO.	PART NO.	DESCRIPTION
620	299974	Plate-Carburetor Control Note: 299975 Plate-Carburetor Control Used on Type Nos. 3108, 3137, 3140, 3141, 3142, 3144, 3145, 3146, 3149, 3153, 3154, 3158, 3165, 3172, 3179, 3180, 3182, 3183, 3184, 3205, 5015, 5153, 5154, 5181, 5192. 490781 Plate-Carburetor Control Used on Type Nos. 3152, 3160, 3165, 3168, 3177, 3178, 3187, 3188, 3191, 3192, 3197, 3198, 3201, 3207.	670	94038	Spacer-Fuel Tank (Used on Engines with Band-Brake). Note: 94047 Spacer-Fuel Tank (Used on Engines without Band-Brake).	847	399030	Fill Group-Oil (Used After Code Date 85060200). Note: 395869 Tube Assy.-Oil Fill (Used Before Code Date 85060300).
			676	393760	Deflector-Muffler (Side Outlet)	851	221798	Terminal-Ignition Cable
			676A	393755	Deflector-Muffler (Side Outlet)	852	396397	Cleaner Assy.-Air
			676B	393756	Deflector-Exhaust	855	211982	Elbow-Air Cleaner
			676C	397931	Deflector-Exhaust	869	211172	Seat-Intake Valve (Used After Code Date 88070100). Note: 210879 Seat-Intake Valve (Used Before Code Date 88063000).
			676D	396548	Deflector-Exhaust			
			677	93705	Screw-Muffler Deflector			
			677A	93606	Screw-Muffler Deflector	870	211291	Seat-Exhaust Valve
			681	395508	Needle Valve Kit	871	231348	Guide-Exhaust Valve Note: 63709 Guide-Intake Valve See Repair Manual For Options.
			720	93474	Pin-Gear to Shaft			
			721	221779	Stop-Drive Shaft	897	394970	Trigger Coil
			729	280470	Clip-Wire	922	261647	Spring-Band Brake
			741	261533	Gear-Timing (For 2 Piece Crankshaft)	923	394867	Brake Assembly-Band
						933	223448	Pivot-Band Brake
621	396847	Switch-Stop (Used After Code Date 85041700). Note: 297472 Switch-Stop (Used Before Code Date 85041800).	764	396082	Starter Assembly-Vertical Pull	934	94037	Screw-Band Brake Pivot
			765	395914	Housing-Vertical Pull Starter	939	394929	Shaft Assembly-Choke
			766	280022	Pulley-Rope (Small)	940	222403	Guard-Flywheel
621A	396847	Switch-Stop (Used After Code Date 84030100). Note: 297472 Switch-Stop (Used Before Code Date 84030200).	767	231048	Pin-Small Rope Pulley (7/16" Long)	941	280395	Cover-Linkage
			768	299948	Pulley and Gear Assy.	942	493248	Bracket Assy.-Lever
			769	66734	Rope-Vertical Pull Starter	949	396579	Guard-Rewind Starter
			771	299961	Clip-Starter	949A	281192	Guard-Rewind Starter (Used After Code Date 91080400). Note: 280684 Guard-Rewind Starter (Used Before Code Date 91080500).
625	298775	Tube-Fuel Intake	774	280121	Insert-Starter Handle			
634	270167	Washer-Throttle Shaft (Felt)	775	280036	Grip-Starter Rope			
635	66538	Elbow-Spark Plug	776	222049	Guide-Rope			
642	223306	Cover-Air Cleaner	777	390066	Spring-Starter			
643	280374	Cup-Air Cleaner	778	280021	Cover-Starter			
643A	280972	Cup-Air Cleaner	832	399637	Guard-Muffler			
655	222057	Anchor-Spring	842	270920	Seal-Oil Fill Cap			
			843	280539	Sleeve-Throttle Lever	988	223600	Bracket-Muffler Guard
						1016	490817	Spacer
						1019	491082	Label Kit

* Included in Gasket Set-Part No. 298989.

● Included in Carburetor Overhaul Kit-Part No. 494622.

