

# Illustrated Parts List

## Model Series 92900 to 92999 NON-COMPLIANCE

TYPE NUMBERS  
0010 through 0090  
0101 through 0452  
0510 through 2211

### TO FIND

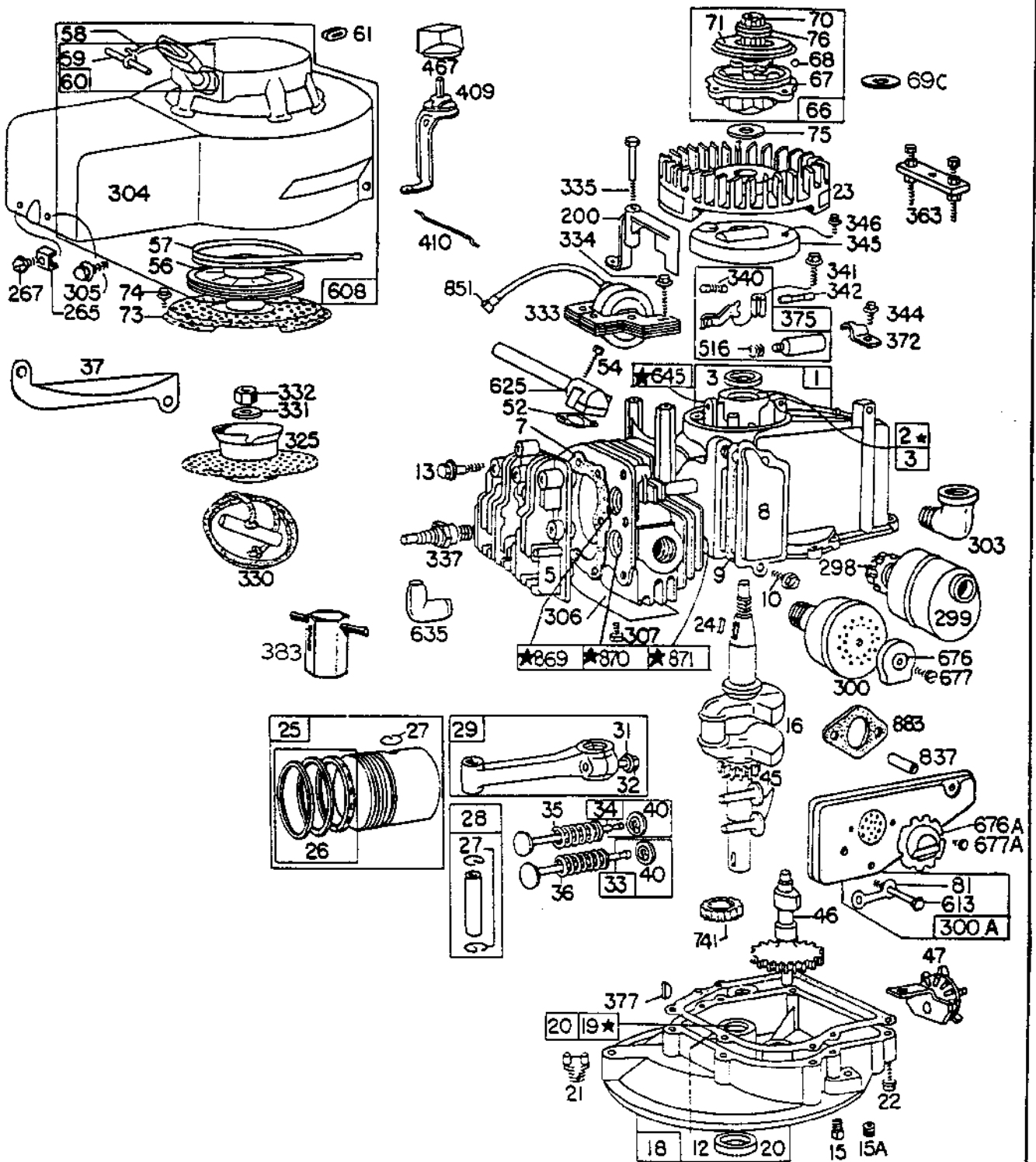
THE CORRECT NUMBER OF THE PART YOU NEED:

FOLLOW THE INSTRUCTIONS BELOW

- A. Refer to Engine Model, Type and Code Number that is stamped on the blower housing of engine. Engine type numbers such as 012301 are listed herein only as 0123. The two digits (01 or 02, etc.) to the right of the space are not needed for parts identification. Then use the Illustrated Parts List covering the Model Series.
- B. Refer to Illustrated Parts section and compare the old part with illustration. The number on the illustration is the Reference Number. Assemblies include all parts shown in frames. All parts shown in assembly frames on which individual reference numbers are given can be purchased separately.
- C. After the Reference Number has been identified, refer to the Numerical Parts List, where Reference and Master Part Number are listed. **THE MASTER PART IS USED ON ALL TYPE NUMBERS EXCEPT THOSE TYPE NUMBERS UNDER "NOTE"**.
- D. If a "Note" appears below the Master Part Number, this means that this part differs from the Master Part for certain types. If the Type number is listed under "Note", order the part referred to.
- E. If the Engine Type Number does not appear after any part number listed under "Note", use the Master Part Number.
- F. For Type Numbers higher than those covered by this book, please refer to the factory if you are unable to identify the part by comparison.



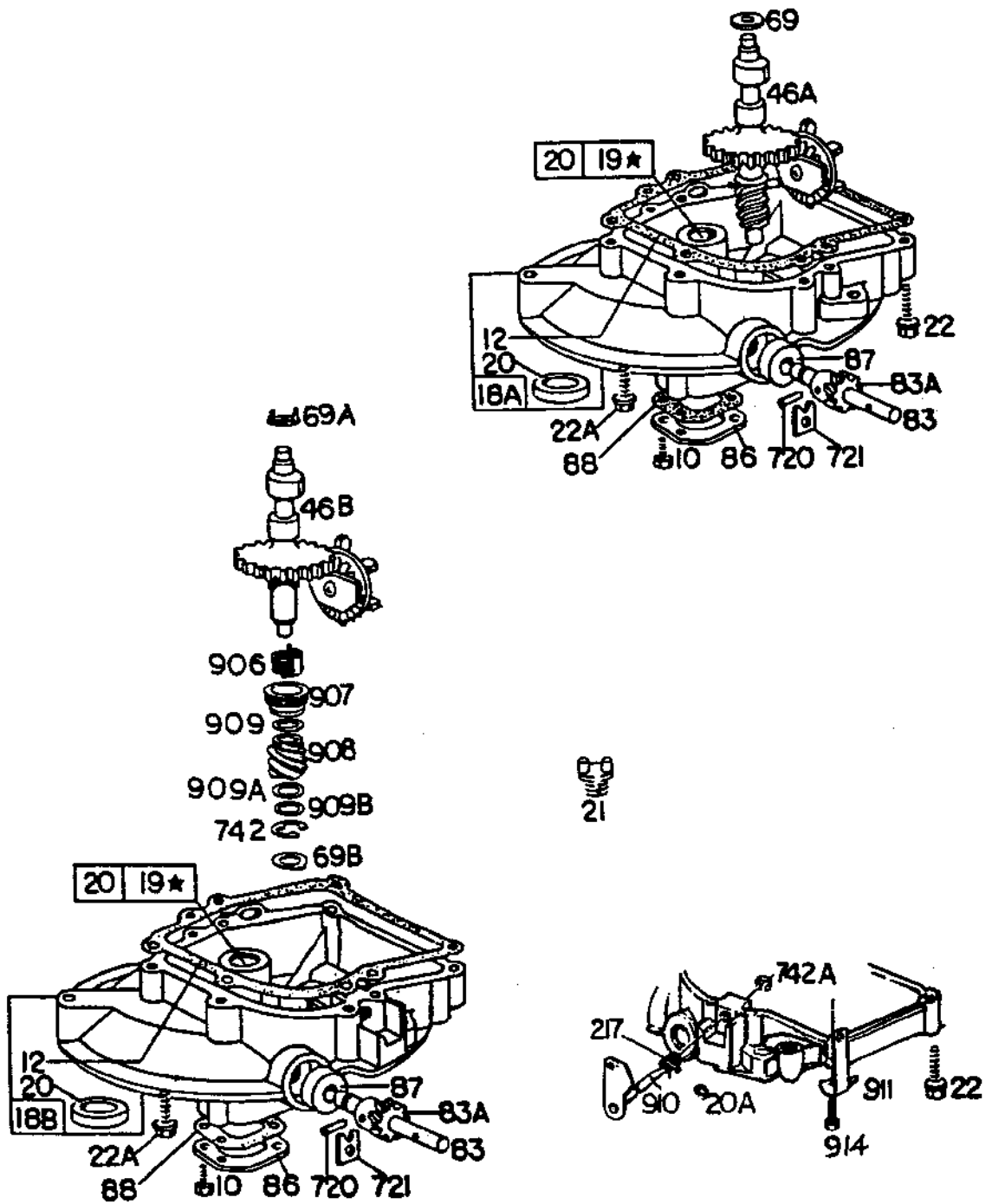
# 92900 to 92999



**358 GASKET SET**

**\*NOTE-SPECIAL TOOLS REQUIRED FOR INSTALLING  
SEE REPAIR INSTRUCTION MANUAL**

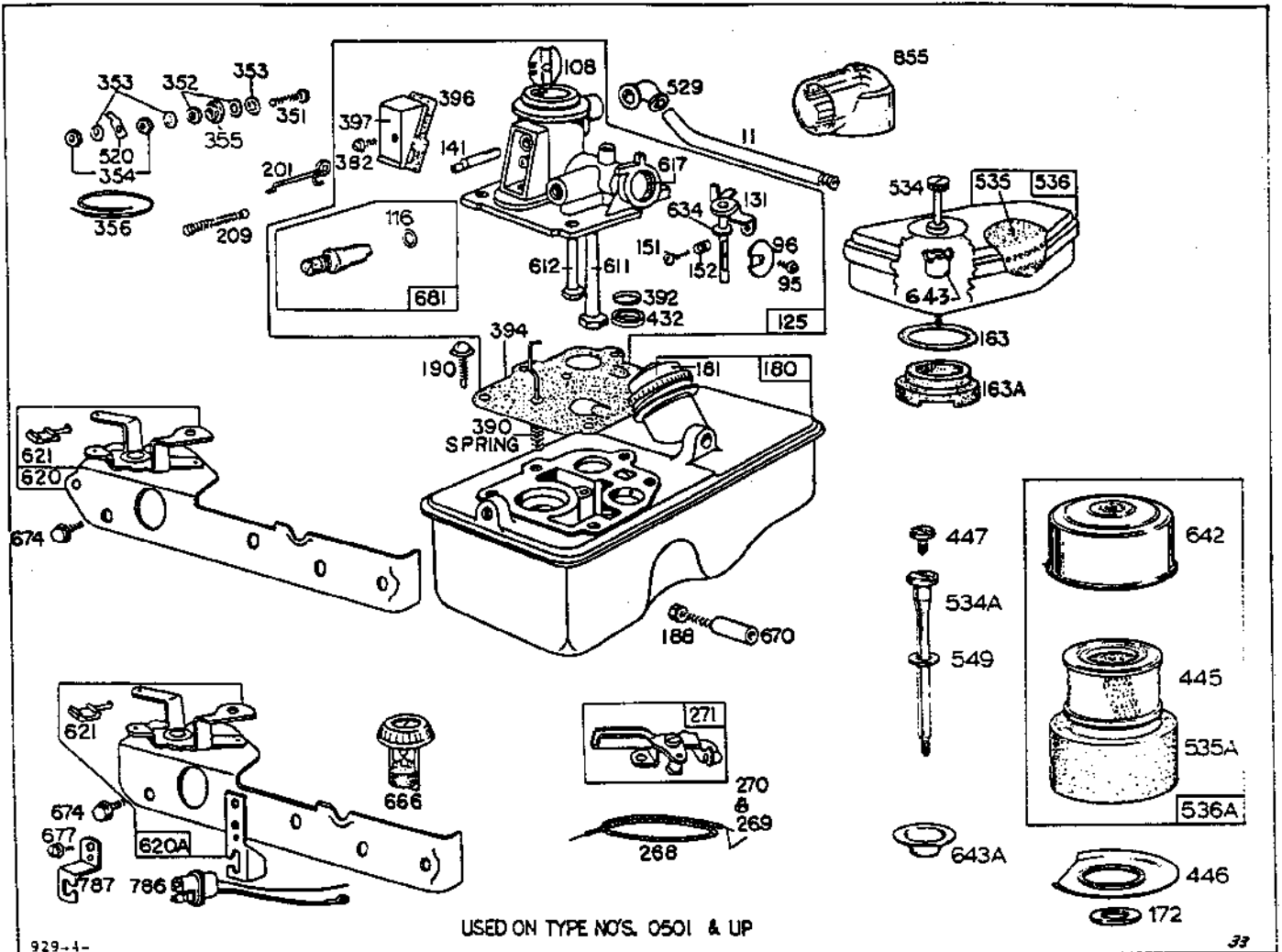
Assemblies include all parts shown in frames.



**\*NOTE-SPECIAL TOOLS REQUIRED FOR INSTALLING  
SEE REPAIR INSTRUCTION MANUAL**

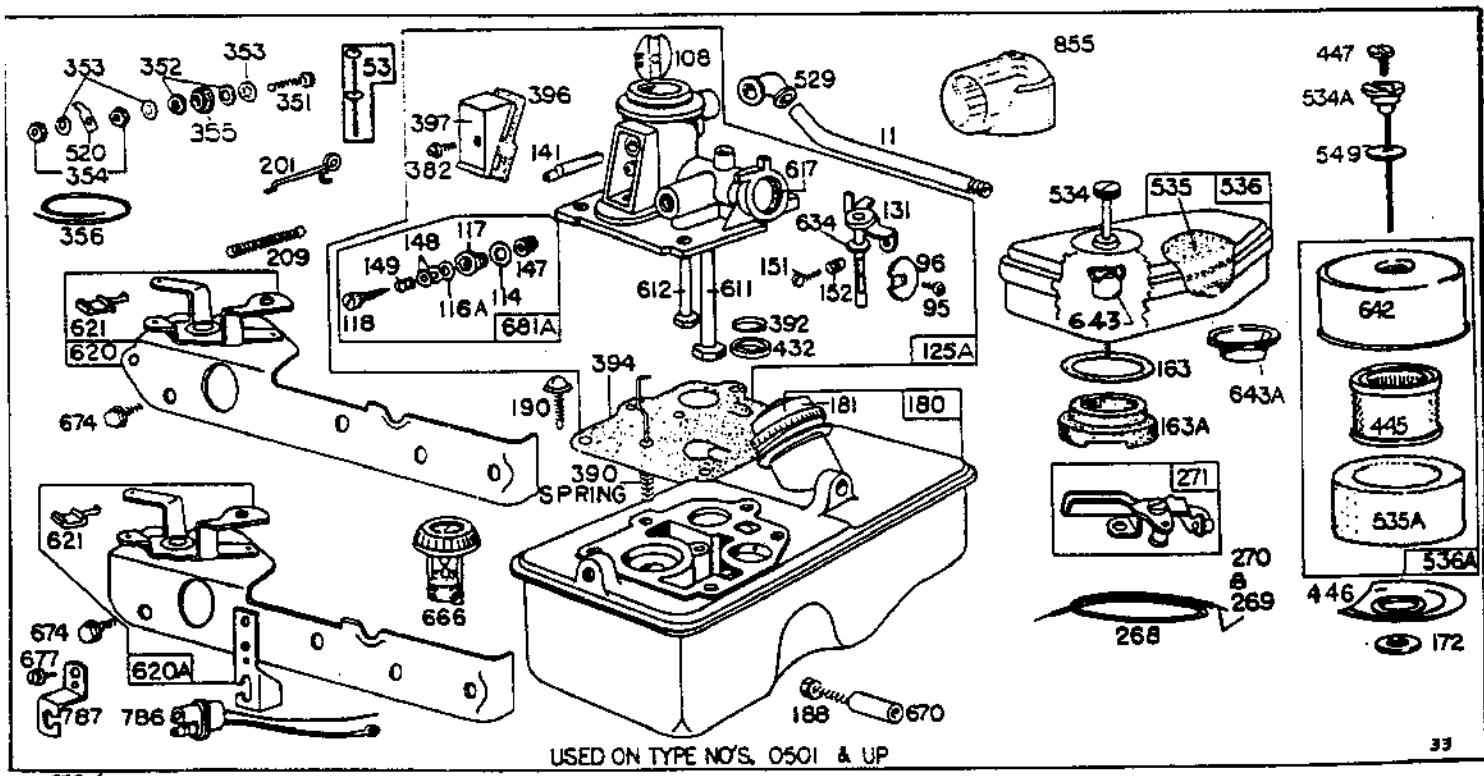
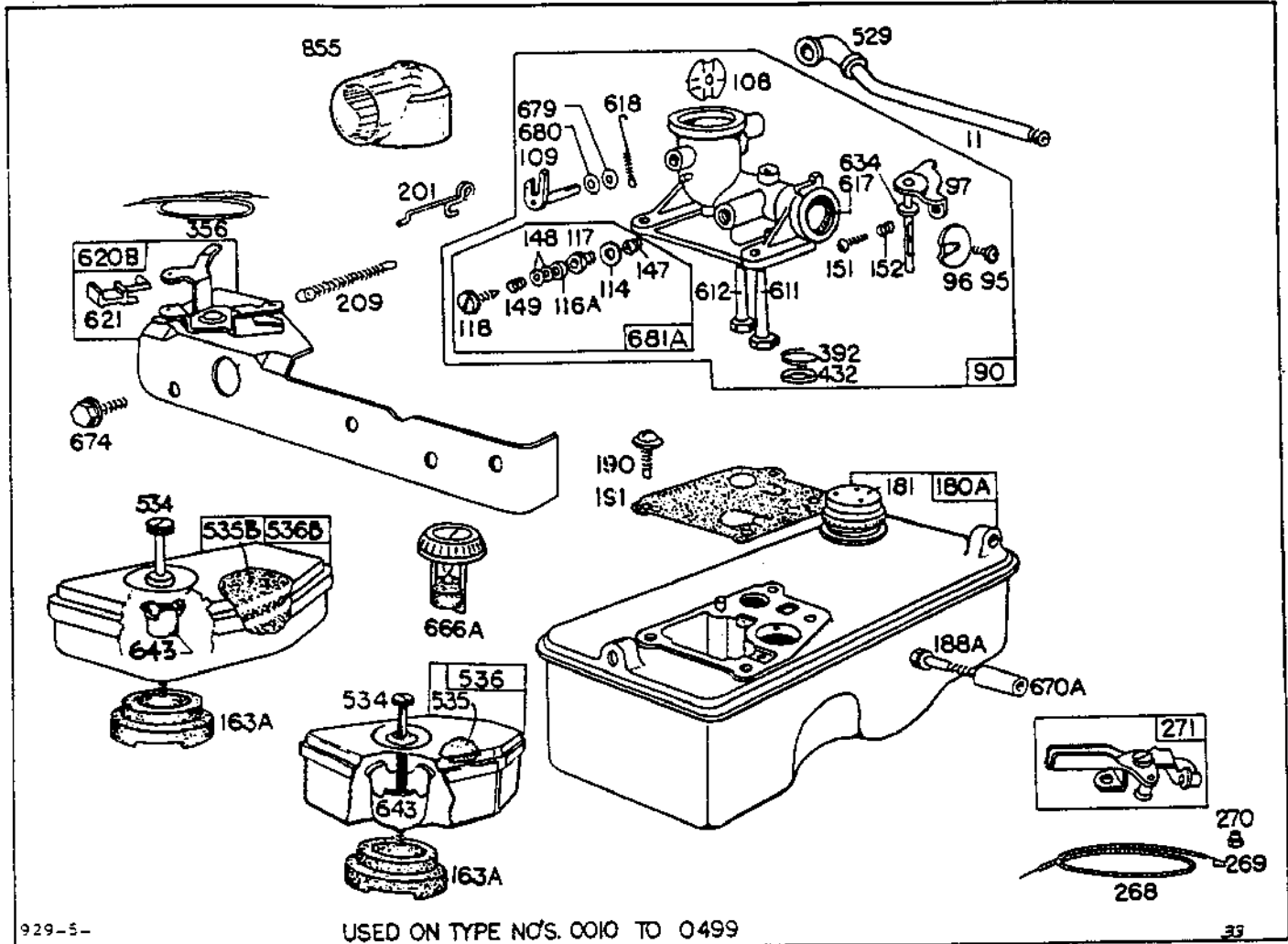
Assemblies include all parts shown in frames.





Assemblies include all parts shown in frames.

# 92900 to 92999



Assemblies include all parts shown in frames.

| REF. NO. | PART NO. | DESCRIPTION            | REF. NO. | PART NO.          | DESCRIPTION | REF. NO. | PART NO. | DESCRIPTION       |
|----------|----------|------------------------|----------|-------------------|-------------|----------|----------|-------------------|
| 1        | 298988   | Cylinder Assembly      |          | 0353, 0354, 0359, |             |          |          | 1381, 1384, 1388, |
|          | Note:    | 393799 Cylinder Assy.  |          | 0367, 0371, 0382, |             |          |          | 1392, 1398, 1416, |
|          |          | Used on Type Nos.      |          | 0388, 0393, 0401, |             |          |          | 1418, 1421, 1422, |
|          |          | 0090, 0101, 0450,      |          | 0405, 0421, 0423, |             |          |          | 1423, 1425, 1438, |
|          |          | 0605, 1982, 1986,      |          | 0425, 0428, 0430, |             |          |          | 1439, 1441, 1458, |
|          |          | 2009, 2018, 2047,      |          | 0433, 0440, 0444, |             |          |          | 1459, 1465, 1469, |
|          |          | 2093.                  |          | 0517, 0572, 0602, |             |          |          | 1471, 1476, 1477, |
| 2        | 293708   | Bushing—Cylinder       |          | 0610, 0614, 0618, |             |          |          | 1492, 1496, 1498, |
|          | Note:    | Requires special tools |          | 0671, 0672, 0678, |             |          |          | 1500, 1503, 1528, |
|          |          | for installation.      |          | 0688, 0720, 0727, |             |          |          | 1529, 1530, 1531, |
| 3        | 299819   | Seal—Oil               |          | 0728, 0733, 0735, |             |          |          | 1532, 1533, 1539, |
| 5        | 211479   | Head—Cylinder          |          | 0741, 0755, 0757, |             |          |          | 1542, 1555, 1565, |
| 7        | *270341  | Gasket—Cylinder Head   |          | 0760, 0761, 0766, |             |          |          | 1566, 1570, 1577, |
| 8        | 298383   | Breather—Valve         |          | 0771, 0777, 0786, |             |          |          | 1586, 1588, 1599, |
|          |          | Chamber                |          | 0787, 0797, 0805, |             |          |          | 1607, 1611, 1615, |
| 9        | *270239  | Gasket—Valve Cover     |          | 0816, 0820, 0821, |             |          |          | 1618, 1619, 1621, |
| 10       | 93394    | Screw—Breather and     |          | 0822, 0827, 0829, |             |          |          | 1622, 1623, 1626, |
|          |          | P.T.O. Gear Sump       |          | 0832, 0837, 0843, |             |          |          | 1636, 1638, 1639, |
|          |          | Cover (Ref. No. 86)    |          | 0844, 0850, 0856, |             |          |          | 1642, 1645, 1647, |
|          |          | Mtg. Sem               |          | 0857, 0858, 0863, |             |          |          | 1649, 1670, 1673, |
| 11       | 230802   | Tube—Breather          |          | 0864, 0866, 0867, |             |          |          | 1675, 1679, 1682, |
| 12       | *270833  | Gasket—Crankcase—      |          | 0888, 0882, 0884, |             |          |          | 1683, 1684, 1686, |
|          |          | .015" thick (Standard) |          | 0886, 0893, 0901, |             |          |          | 1694, 1711, 1713, |
|          | *270895  | Gasket—Crankcase—      |          | 0904, 0909, 0910, |             |          |          | 1717, 1718, 1727, |
|          |          | .005" thick            |          | 0913, 0915, 0917, |             |          |          | 1752, 1770, 1778, |
|          | *270896  | Gasket—Crankcase—      |          | 0933, 0942, 0944, |             |          |          | 1786, 1794, 1803, |
|          |          | .009" thick            |          | 0948, 0951, 0953, |             |          |          | 1804, 1805, 1806, |
| 13       | 93111    | Screw—Cylinder Head    |          | 0955, 0961, 0963, |             |          |          | 1814, 1818, 1820, |
|          |          | (1-15/16" long)        |          | 0964, 0965, 0966, |             |          |          | 1821, 1830, 1832, |
|          | Note:    | 93772 Stud—Cylinder    |          | 0968, 0969, 0981, |             |          |          | 1839, 1853, 1858, |
|          |          | Head (2)               |          | 0983, 0989, 0990, |             |          |          | 1861, 1863, 1869, |
|          |          | 22963 Washer (2)       |          | 0995, 0996, 0999, |             |          |          | 1870, 1872, 1875, |
|          |          | Used on Type Nos.      |          | 1006, 1018, 1019, |             |          |          | 1877, 1884, 1886, |
|          |          | 1438, 1597, 1602.      |          | 1025, 1033, 1034, |             |          |          | 1889, 1890, 1893, |
| 15       | 91084    | Plug—Oil Drain         |          | 1040, 1049, 1055, |             |          |          | 1903, 1906, 1908, |
|          |          | (Square Head)          |          | 1064, 1069, 1072, |             |          |          | 1915, 1919, 1922, |
| 15A      | 93418    | Plug—Oil Drain         |          | 1073, 1074, 1075, |             |          |          | 1924, 1938, 1943, |
|          |          | (Socket Head)          |          | 1076, 1087, 1090, |             |          |          | 1945, 1947, 1948, |
| 16       | 260124   | Crankshaft             |          | 1100, 1104, 1107, |             |          |          | 1954, 1955, 1957, |
|          | Note:    | 260096 Crankshaft      |          | 1116, 1124, 1125, |             |          |          | 1965, 1967, 1968, |
|          |          | Used on Type Nos.      |          | 1126, 1138, 1146, |             |          |          | 1972, 1973, 1974, |
|          |          | 0017, 0018, 0031,      |          | 1147, 1151, 1156, |             |          |          | 1976, 1984, 1988, |
|          |          | 0121, 0136, 0143,      |          | 1161, 1167, 1173, |             |          |          | 1993, 2004, 2005, |
|          |          | 0151, 0157, 0203,      |          | 1174, 1178, 1179, |             |          |          | 2008, 2021, 2033, |
|          |          | 0204, 0210, 0215,      |          | 1182, 1194, 1212, |             |          |          | 2035, 2036, 2041, |
|          |          | 0218, 0225, 0248,      |          | 1213, 1232, 1242, |             |          |          | 2042, 2046, 2050, |
|          |          | 0261, 0265, 0275,      |          | 1245, 1249, 1257, |             |          |          | 2056, 2057, 2058, |
|          |          | 0276, 0279, 0280,      |          | 1268, 1278, 1288, |             |          |          | 2066, 2076, 2091, |
|          |          | 0285, 0293, 0294,      |          | 1295, 1305, 1309, |             |          |          | 2096, 2099, 2104, |
|          |          | 0299, 0304, 0307,      |          | 1310, 1319, 1323, |             |          |          | 2105, 2108, 2111, |
|          |          | 0308, 0314, 0327,      |          | 1324, 1327, 1330, |             |          |          | 2113, 2115, 2116, |
|          |          | 0328, 0330, 0337,      |          | 1337, 1338, 1346, |             |          |          | 2118, 2120, 2121, |
|          |          | 0349, 0350, 0352,      |          | 1356, 1357, 1371, |             |          |          | 2122, 2123, 2124, |

\*Included in Gasket Set—  
Part No. 298989.

# 92900 to 92999

| REF. NO. | PART NO. | DESCRIPTION   | REF. NO. | PART NO. | DESCRIPTION  | REF. NO. | PART NO. | DESCRIPTION  |
|----------|----------|---|----------|----------|--|----------|----------|--|
|          |          | 2134, 2140, 2141,<br>2143, 2146, 2147,<br>2151, 2157, 2160,<br>2164, 2167, 2170,<br>2172, 2178, 2180,<br>2182, 2183, 2194,<br>2204.   |          |          | <b>260098</b> Crankshaft<br>Used on Type Nos.<br>0019, 0020, 0118,<br>0123, 0132, 0141,<br>0171, 0178, 0182,<br>0185, 0192, 0193,<br>0206, 0217, 0224,<br>0229, 0245, 0246,<br>0249, 0263, 0271,<br>0273, 0286, 0289,<br>0290, 0302, 0309,<br>0324, 0334, 0340,<br>0360, 0368, 0369,<br>0372, 0383, 0390,<br>0391, 0395, 0396,<br>0398, 0409, 0414,<br>0447, 0448, 0449,<br>0451, 0519, 0574,<br>0604, 0612, 0616,<br>0620, 0674, 0683,<br>0686, 0693, 0699,<br>0700, 0718, 0722,<br>0731, 0732, 0738,<br>0751, 0754, 0770,<br>0774, 0775, 0776,<br>0780, 0783, 0790,<br>0791, 0795, 0819,<br>0828, 0833, 0840,<br>0845, 0846, 0875,<br>0890, 0894, 0929,<br>0934, 0935, 0936,<br>0939, 0941, 0947,<br>0967, 0971, 0974,<br>0975, 0984, 0986,<br>0988, 0992, 0997,<br>0998, 1000, 1002,<br>1003, 1004, 1012,<br>1016, 1017, 1036,<br>1037, 1041, 1053,<br>1059, 1080, 1082,<br>1083, 1088, 1101,<br>1115, 1135, 1136,<br>1154, 1155, 1164,<br>1165, 1171, 1186,<br>1190, 1199, 1204,<br>1209, 1218, 1220,<br>1225, 1226, 1229,<br>1253, 1258, 1265,<br>1276, 1281, 1283,<br>1287, 1302, 1306,<br>1317, 1318, 1341,<br>1342, 1358, 1370,<br>1374, 1375, 1383, |          |          | 1385, 1386, 1396,<br>1397, 1426, 1463,<br>1474, 1481, 1482,<br>1489, 1490, 1493,<br>1507, 1513, 1514,<br>1516, 1523, 1526,<br>1552, 1580, 1583,<br>1587, 1594, 1609,<br>1616, 1627, 1634,<br>1641, 1653, 1655,<br>1666, 1680, 1691,<br>1692, 1695, 1697,<br>1699, 1700, 1705,<br>1708, 1712, 1723,<br>1729, 1730, 1731,<br>1755, 1760, 1768,<br>1784, 1785, 1791,<br>1795, 1813, 1817,<br>1827, 1837, 1838,<br>1860, 1864, 1866,<br>1873, 1874, 1880,<br>1928, 1944, 1951,<br>1978, 1979, 1992,<br>1995, 2002, 2003,<br>2010, 2015, 2016,<br>2019, 2020, 2028,<br>2061, 2074, 2077,<br>2081, 2084, 2101,<br>2114, 2131, 2135,<br>2142, 2159, 2161,<br>2165, 2168, 2173,<br>2179, 2184, 2189,<br>2209.<br><b>260099</b> Crankshaft<br>Uses:<br><b>220708</b> Shim—Crank-<br>shaft, Thrust<br>Used on Type Nos.<br>0040, 0041, 0042,<br>0125, 0126, 0201,<br>0226, 0232, 0241,<br>0253, 0256, 0270,<br>0277, 0278, 0288,<br>0297, 0315, 0335,<br>0336, 0362, 0363,<br>0394, 0412, 0413,<br>0540, 0542, 0641,<br>0647, 0662, 0665,<br>0729, 0730, 0788,<br>0789, 0817, 0823,<br>0869, 0883, 0887,<br>0889, 0991, 1005,<br>1028, 1070, 1091,<br>1092, 1117, 1206,<br>1292, 1296, 1350. |
|          |          | <b>260097</b> Crankshaft<br>Used on Type Nos.<br>0023, 0117, 0122,<br>0147, 0152, 0186,<br>0197, 0216, 0287,<br>0292, 0338, 0381,<br>0386, 0389, 0419,<br>0435, 0452, 0523,<br>0573, 0603, 0611,<br>0615, 0619, 0704,<br>0715, 0719, 0725,<br>0726, 0765, 0773,<br>0830, 0847, 0848,<br>0877, 0888, 0900,<br>0918, 0928, 1063,<br>1066, 1085, 1086,<br>1097, 1112, 1119,<br>1120, 1121, 1139,<br>1144, 1163, 1185,<br>1187, 1203, 1238,<br>1252, 1255, 1256,<br>1264, 1266, 1267,<br>1271, 1274, 1286,<br>1289, 1316, 1351,<br>1355, 1359, 1360,<br>1363, 1364, 1365,<br>1366, 1414, 1415,<br>1427, 1446, 1447,<br>1598, 1612, 1643,<br>1656, 1724, 1728,<br>1737, 1761, 1781,<br>1800, 1819, 1859,<br>1881, 1882, 1897,<br>1898, 1899, 1925,<br>1926, 1975, 1994,<br>1997, 2022, 2032,<br>2086, 2087, 2112,<br>2117, 2129, 2130,<br>2133, 2174, 2176,<br>2200. |          |          |  |          |          |  |



| REF. NO. | PART NO. | DESCRIPTION  | REF. NO. | PART NO. | DESCRIPTION  | REF. NO. | PART NO.  | DESCRIPTION |  |  |
|----------|----------|--|----------|----------|--|----------|---|-------------|--|--|
|          | 260204   | Crankshaft<br>Used on Type Nos.<br>0155, 0962.   |          | 260400   | Crankshaft<br>Used on Type Nos.<br>0033, 0526, 0533.   |          | 0925, 0927, 0943,<br>0954, 0960, 0976,<br>0978, 0982, 0993,<br>0994, 1001, 1010,<br>1011, 1015, 1021,<br>1022, 1023, 1046,<br>1047, 1048, 1067,<br>1068, 1079, 1089,<br>1095, 1096, 1098,<br>1102, 1131, 1132,<br>1159, 1160, 1180,<br>1197, 1198, 1201,<br>1202, 1231, 1233,<br>1234, 1235, 1236,<br>1237, 1239, 1248,<br>1269, 1270, 1273,<br>1282, 1293, 1304,<br>1352, 1353, 1354,<br>1377, 1379, 1389,<br>1394, 1395, 1402,<br>1410, 1411, 1412,<br>1443, 1448, 1449,<br>1455, 1464, 1470,<br>1473, 1483, 1486,<br>1487, 1488, 1494,<br>1495, 1501, 1510,<br>1521, 1536, 1544,<br>1545, 1546, 1554,<br>1557, 1562, 1563,<br>1564, 1572, 1574,<br>1575, 1589, 1592,<br>1593, 1597, 1600,<br>1602, 1610, 1624,<br>1637, 1640, 1648,<br>1652, 1658, 1660,<br>1663, 1664, 1668,<br>1669, 1677, 1678,<br>1704, 1706, 1719,<br>1720, 1725, 1726,<br>1732, 1734, 1738,<br>1753, 1758, 1764,<br>1765, 1766, 1779,<br>1793, 1797, 1798,<br>1809, 1815, 1822,<br>1828, 1835, 1836,<br>1840, 1854, 1855,<br>1862, 1867, 1888,<br>1907, 1912, 1913,<br>1923, 1950, 1953,<br>1961, 1966, 1971,<br>1983, 1985, 1987,<br>1990, 2001, 2006,<br>2007, 2011, 2023, |             |  |  |
|          | 260224   | Crankshaft<br><b>Uses:</b>   |          | 260402   | Crankshaft<br><b>Uses:</b>   |          |   |             |  |  |
|          | 220708   | Shim—Crank-<br>shaft, Thrust<br>Used on Type Nos.<br>0043, 0044, 0153,<br>0154, 0162, 0164,<br>0169, 0180, 0183,<br>0190, 0252, 0266,<br>0267, 0312, 0331,<br>0332, 0341, 0364,<br>0543, 0544, 0642,<br>0648, 0714, 0752,<br>0762, 0763, 0859,<br>0905, 0914, 0930,<br>0931, 0932, 0937,<br>1026, 1145, 1175,<br>1177, 1227, 1277,<br>1343, 1347, 1419,<br>1571, 1573. |          | 220708   | Shim—Crank-<br>shaft, Thrust<br>Used on Type Nos.<br>0138, 0300, 0746,<br>0747, 0812.  |          |   |             |  |  |
|          | 260235   | Crankshaft<br>Used on Type Nos.<br>0137, 0213, 0301,<br>0357, 0973, 1042,<br>1078, 1207, 1263,<br>1285, 1435, 1650,<br>1661, 1672.   |          | 260411   | Crankshaft<br>Used on Type Nos.<br>0028, 0200, 0528,<br>0739, 1558.  |          |   |             |  |  |
|          | 260319   | Crankshaft<br>Used on Type Nos.<br>0173, 0295, 0689,<br>0707, 0745, 1484,<br>1590, 1662, 1751,<br>1865, 2027, 2163.  |          | 260670   | Crankshaft<br>Used on Type Nos.<br>0021, 0022, 0032,<br>0172, 0175, 0230,<br>0259, 0260, 0521,<br>0532.  |          |   |             |  |  |
|          | 260370   | Crankshaft<br>Used on Type Nos.<br>0029, 0342, 0366,<br>0529, 0575, 0576,<br>0792, 0793, 0794,<br>1129, 1143, 1210,<br>1211, 1216, 1223,<br>1297, 1311, 1312,<br>1313, 1525, 1550,<br>1551, 1628, 1629,<br>1702, 1703, 1710,<br>1850, 1851, 1852,<br>1857, 1871, 1929,<br>2149, 2150, 2206,<br>2207.   |          | 260856   | Crankshaft<br><b>Uses:</b>   |          |   |             |  |  |
|          |          |  |          | 220708   | Shim—Crank-<br>shaft, Thrust<br>Used on Type Nos.<br>0146, 0227, 0258,<br>0283, 0379, 0422,<br>0736, 0737, 0779,<br>0839, 1007, 1008,<br>1676, 2075.   |          |   |             |  |  |
|          |          |  |          | 260911   | Crankshaft<br>Used on Type Nos.<br>0060, 0127, 0131,<br>0188, 0214, 0240,<br>0243, 0251, 0274,<br>0282, 0291, 0361,<br>0317, 0356, 0361,<br>0375, 0380, 0384,<br>0403, 0410, 0414,<br>0420, 0427, 0429,<br>0434, 0438,<br>0450, 0551, 0560,<br>0565, 0566, 0621,<br>0625, 0629, 0633,<br>0637, 0657, 0659,<br>0660, 0661, 0668,<br>0695, 0697, 0698,<br>0701, 0713, 0734,<br>0759, 0802, 0807,<br>0809, 0810, 0835,<br>0842, 0862, 0874,<br>0896, 0897, 0899,<br>0903, 0911, 0924, |          |   |             |  |  |

# 92900 to 92999

| REF. NO. | PART NO.                 | DESCRIPTION | REF. NO. | PART NO.                  | DESCRIPTION | REF. NO. | PART NO. | DESCRIPTION       |
|----------|--------------------------|-------------|----------|---------------------------|-------------|----------|----------|-------------------|
|          | 2029, 2037, 2038,        |             |          | 1038, 1039, 1071,         |             |          |          | 261030 Crankshaft |
|          | 2039, 2045, 2049,        |             |          | 1105, 1118, 1134,         |             |          |          | Used on Type Nos. |
|          | 2064, 2068, 2069,        |             |          | 1150, 1168, 1169,         |             |          |          | 0567, 0571, 0609, |
|          | 2070, 2071, 2073,        |             |          | 1191, 1192, 1196,         |             |          |          | 0617, 0654, 0656, |
|          | 2079, 2080, 2083,        |             |          | 1214, 1243, 1250,         |             |          |          | 0681, 0694, 0703, |
|          | 2089, 2093, 2094,        |             |          | 1275, 1299, 1300,         |             |          |          | 0706, 0710, 0712, |
|          | 2095, 2103, 2107,        |             |          | 1325, 1326, 1361,         |             |          |          | 0749, 0750, 0753, |
|          | 2119, 2126, 2136,        |             |          | 1362, 1372, 1373,         |             |          |          | 0796, 0799, 0804, |
|          | 2137, 2144, 2152,        |             |          | 1445, 1499, 1549,         |             |          |          | 0815, 0831, 0834, |
|          | 2153, 2154, 2156,        |             |          | 1591, 1595, 1604,         |             |          |          | 0836, 0852, 0853, |
|          | 2166, 2181, 2185,        |             |          | 1681, 1721.               |             |          |          | 0861, 0881, 0892, |
|          | 2186, 2190, 2192,        |             |          | <b>260915 Crankshaft</b>  |             |          |          | 0895, 0898, 0906, |
|          | 2193, 2197.              |             |          | Used on Type Nos.         |             |          |          | 0907, 0908, 0921, |
|          | <b>260912 Crankshaft</b> |             |          | 0176, 0177, 0228,         |             |          |          | 0926, 0946, 0952, |
|          | Used on Type Nos.        |             |          | 0233.                     |             |          |          | 0956, 0977, 0985, |
|          | 0128, 0150, 0333,        |             |          | <b>260957 Crankshaft</b>  |             |          |          | 1013, 1035, 1044, |
|          | 0344, 0345, 0404,        |             |          | Used on Type Nos.         |             |          |          | 1045, 1081, 1084, |
|          | 0418, 0439, 0622,        |             |          | 0024, 0034, 0318,         |             |          |          | 1094, 1123, 1137, |
|          | 0630, 0634, 0638,        |             |          | 0319, 0320, 0321,         |             |          |          | 1141, 1162, 1193, |
|          | 0696, 0742, 0758,        |             |          | 0322, 0323, 0326,         |             |          |          | 1195, 1260, 1280, |
|          | 0772, 0979, 1051,        |             |          | 0346, 0347, 0524,         |             |          |          | 1298, 1301, 1334, |
|          | 1060, 1109, 1110,        |             |          | 0534, 0673, 0676,         |             |          |          | 1335, 1336, 1339, |
|          | 1127, 1128, 1133,        |             |          | 0677, 0872, 0873,         |             |          |          | 1340, 1344, 1345, |
|          | 1153, 1172, 1176,        |             |          | 0879, 1050, 1122,         |             |          |          | 1378, 1383, 1387, |
|          | 1307, 1308, 1320,        |             |          | 1142, 1170, 1188,         |             |          |          | 1393, 1400, 1401, |
|          | 1321, 1322, 1331,        |             |          | 1189, 1230, 1259,         |             |          |          | 1409, 1424, 1433, |
|          | 1349, 1367, 1368,        |             |          | 1380, 1408.               |             |          |          | 1453, 1454, 1466, |
|          | 1450, 1451, 1504,        |             |          | <b>261006 Crankshaft</b>  |             |          |          | 1467, 1468, 1472, |
|          | 1505, 1508, 1512,        |             |          | Uses:                     |             |          |          | 1475, 1478, 1479, |
|          | 1537, 1547, 1548,        |             |          | <b>220708 Shim—Crank-</b> |             |          |          | 1480, 1491, 1515, |
|          | 1561, 1578, 1585,        |             |          | shaft, Thrust             |             |          |          | 1518, 1520, 1522, |
|          | 1654, 1741, 1749,        |             |          | Used on Type Nos.         |             |          |          | 1527, 1535, 1538, |
|          | 1883, 1917, 1940,        |             |          | 0645, 0649, 0664,         |             |          |          | 1540, 1553, 1560, |
|          | 1952, 2127.              |             |          | 0666, 0800, 0854,         |             |          |          | 1581, 1584, 1605, |
|          | <b>260913 Crankshaft</b> |             |          | 0870, 1027, 1077,         |             |          |          | 1606, 1617, 1632, |
|          | Used on Type Nos.        |             |          | 1093, 1152.               |             |          |          | 1646, 1659, 1667, |
|          | 0129, 0623, 0631,        |             |          | <b>261007 Crankshaft</b>  |             |          |          | 1671, 1685, 1696, |
|          | 0635, 0639, 0748,        |             |          | Uses:                     |             |          |          | 1707, 1709, 1714, |
|          | 0808, 1111, 1157,        |             |          | <b>220708 Shim—Crank-</b> |             |          |          | 1715, 1716, 1739, |
|          | 1158, 1200, 1251,        |             |          | shaft, Thrust             |             |          |          | 1759, 1763, 1767, |
|          | 1284, 1294, 1428,        |             |          | Used on Type Nos.         |             |          |          | 1771, 1772, 1773, |
|          | 1429, 1657, 1754,        |             |          | 0545, 0646, 0650,         |             |          |          | 1775, 1790, 1792, |
|          | <b>260914 Crankshaft</b> |             |          | 0723, 0724, 0838,         |             |          |          | 1807, 1808, 1811, |
|          | Used on Type Nos.        |             |          | 0841, 0849, 0880,         |             |          |          | 1825, 1826, 1829, |
|          | 0050, 0130, 0179,        |             |          | 1014, 1228, 1348,         |             |          |          | 1833, 1847, 1878, |
|          | 0209, 0313, 0385,        |             |          | 1576.                     |             |          |          | 1892, 1894, 1896, |
|          | 0399, 0415, 0417,        |             |          | <b>261029 Crankshaft</b>  |             |          |          | 1900, 1901, 1904, |
|          | 0550, 0582, 0624,        |             |          | Used on Type Nos.         |             |          |          | 1911, 1916, 1930, |
|          | 0632, 0636, 0640,        |             |          | 0684, 0798, 1437,         |             |          |          | 1942, 1949, 1959, |
|          | 0675, 0717, 0721,        |             |          |                           |             |          |          | 1963, 1969, 1970, |
|          | 0885, 0940, 0958,        |             |          |                           |             |          |          | 1986, 1989, 1991, |
|          | 0959, 1009, 1029,        |             |          |                           |             |          |          | 1996, 1998, 2013, |
|          | 1030, 1031, 1032,        |             |          |                           |             |          |          | 2014, 2024, 2025. |

| REF. NO. | PART NO.   | DESCRIPTION | REF. NO.  | PART NO.      | DESCRIPTION   | REF. NO. | PART NO. | DESCRIPTION   |
|----------|--|-------------|-----------|---------------|---|----------|----------|---|
|          | 2026, 2030, 2040,<br>2048, 2051, 2072,<br>2088, 2090, 2092,<br>2097, 2098, 2100,<br>2102, 2106, 2128,<br>2148, 2155, 2158,<br>2169, 2188, 2191,<br>2198, 2199, 2201,<br>2208.              |             | <b>18</b> | <b>293512</b> | Sump—Oil  |          |          | 0720, 0722, 0726,<br>0727, 0728, 0733,<br>0735, 0743, 0744,<br>0745, 0749, 0750,<br>0751, 0753, 0765,<br>0776, 0777, 0790,<br>0791, 0796, 0798,<br>0804, 0815, 0820,<br>0827, 0828, 0829,<br>0830, 0831, 0832,<br>0833, 0834, 0836,<br>0837, 0840, 0846,<br>0848, 0850, 0852,<br>0853, 0861, 0863,<br>0864, 0868, 0876,<br>0881, 0882, 0884,<br>0888, 0890, 0892,<br>0895, 0898, 0900,<br>0904, 0906, 0907,<br>0908, 0909, 0910,<br>0921, 0923, 0926,<br>0934, 0935, 0936,<br>0939, 0941, 0942,<br>0944, 0946, 0947,<br>0952, 0956, 0961,<br>0966, 0977, 0984,<br>0990, 0996, 0998,<br>1000, 1002, 1003,<br>1004, 1012, 1013,<br>1019, 1034, 1035,<br>1036, 1037, 1040,<br>1044, 1045, 1053,<br>1059, 1063, 1064,<br>1066, 1069, 1075,<br>1080, 1081, 1083,<br>1084, 1086, 1094,<br>1100, 1104, 1112,<br>1121, 1124, 1126,<br>1135, 1136, 1139,<br>1146, 1151, 1154,<br>1155, 1156, 1161,<br>1162, 1164, 1165,<br>1167, 1174, 1178,<br>1179, 1184, 1185,<br>1186, 1190, 1193,<br>1194, 1195, 1204,<br>1213, 1218, 1232,<br>1238, 1242, 1249,<br>1252, 1258, 1264,<br>1265, 1266, 1278,<br>1280, 1281, 1283,<br>1289, 1297, 1298,<br>1301, 1302, 1309. |
|          | <b>261032</b> Crankshaft<br>Used on Type Nos.<br>0743, 0744, 0876.   |             |           | <b>Note:</b>  | <b>293597</b> Sump—Oil<br>Used on Type Nos.<br>0217, 0229, 0263,<br>0265, 0295, 0302,<br>0689, 0770, 0771,<br>0894, 1712, 1865,<br><b>294231</b> Sump—Oil<br>Used on Type Nos.<br>0040, 0041, 0044,<br>0540, 0544.  |          |          |   |
|          | <b>261133</b> Crankshaft<br>Used on Type Nos.<br>0577, 1130, 1224,<br>1413, 1788.  |             |           |               | <b>295041</b> Sump—Oil<br>Used on Type Nos.<br>0139, 0246, 0247,<br>0339, 0376, 0391,<br>0795, 0806, 0968,<br>1107, 1444, 1891,<br>1927.  |          |          |   |
|          | <b>261237</b> Crankshaft<br>Used on Type Nos.<br>1405, 1406.   |             |           |               | <b>298280</b> Sump—Oil<br>Used on Model 92990<br>to 92999 Series.   |          |          |   |
|          | <b>261239</b> Crankshaft<br>Used on Type Nos.<br>1403, 1404, 1776,<br>1848, 1849, 1887.  |             |           |               | <b>298359</b> Sump—Oil<br>Used on Type Nos.<br>0180, 0232, 0736,<br>0737.   |          |          |   |
|          | <b>261292</b> Crankshaft<br>Used on Type Nos.<br>1457, 1735, 1746,<br>1841, 1844, 1937.  |             |           |               | <b>298727</b> Sump—Oil<br>Used on Type No.<br>0270.   |          |          |   |
|          | <b>261293</b> Crankshaft<br>Used on Type Nos.<br>0580, 1456, 1567,<br>1568, 1596, 1635,<br>1651, 1736, 1742,<br>1743, 1747, 1842,<br>1843, 1845, 1910,<br>1931, 1934, 2052,<br>2053, 2054. |             |           |               | <b>390017</b> Sump—Oil<br>Used on Type Nos.<br>0545, 0645, 0646,<br>0649, 0650, 0664,<br>0663, 0723, 0724,<br>0729, 0730, 0746,<br>0747, 0779, 0800,<br>0812, 0838, 0839,<br>0841, 0849, 0854,<br>0870, 0880, 1007,<br>1008, 1014, 1027,<br>1077, 1093, 1152,<br>1177, 1228, 1348,<br>1576, 1676, 2075. |          |          |   |
|          | <b>261335</b> Crankshaft<br>Used on Type Nos.<br>1613.   |             |           |               | <b>390068</b> Sump—Oil<br>Used on Type Nos.<br>0090, 0101, 0571,<br>0572, 0573, 0574,<br>0605, 0609, 0610,<br>0611, 0612, 0617,<br>0618, 0619, 0620,<br>0654, 0656, 0672,<br>0681, 0684, 0694,<br>0699, 0703, 0706,<br>0710, 0712, 0719,  |          |          |   |
|          | <b>261415</b> Crankshaft<br>Used on Type Nos.<br>1744, 1745, 1748,<br>1879, 1895.  |             |           |               |   |          |          |   |
|          | <b>261417</b> Crankshaft<br>Used on Type Nos.<br>1756, 1757, 1846,<br>1956, 1964, 2055,<br>2059.   |             |           |               |   |          |          |   |
|          | <b>394030</b> Crankshaft<br>Used on Type No.<br>2203.  |             |           |               |   |          |          |   |

# 92900 to 92999

| REF. NO. | PART NO.          | DESCRIPTION | REF. NO. | PART NO.          | DESCRIPTION | REF. NO. | PART NO. | DESCRIPTION                  |
|----------|-------------------|-------------|----------|-------------------|-------------|----------|----------|------------------------------|
|          | 1317, 1319, 1323, |             |          | 1775, 1778, 1785, |             |          |          | 2157, 2158, 2159,            |
|          | 1324, 1330, 1334, |             |          | 1786, 1790, 1791, |             |          |          | 2161, 2162, 2164,            |
|          | 1335, 1336, 1338, |             |          | 1792, 1794, 1795, |             |          |          | 2165, 2169, 2170,            |
|          | 1339, 1340, 1342, |             |          | 1804, 1806, 1807, |             |          |          | 2172, 2173, 2176,            |
|          | 1344, 1345, 1351, |             |          | 1808, 1811, 1813, |             |          |          | 2177, 2179, 2180,            |
|          | 1356, 1359, 1360, |             |          | 1814, 1818, 1819, |             |          |          | 2182, 2183, 2184,            |
|          | 1364, 1365, 1368, |             |          | 1821, 1825, 1826, |             |          |          | 2188, 2191, 2198,            |
|          | 1371, 1374, 1375, |             |          | 1827, 1829, 1833, |             |          |          | 2199, 2201, 2202,            |
|          | 1378, 1382, 1385, |             |          | 1838, 1839, 1847, |             |          |          | 2204, 2206, 2207,            |
|          | 1386, 1387, 1388, |             |          | 1849, 1850, 1851, |             |          |          | 2208, 2209.                  |
|          | 1393, 1397, 1401, |             |          | 1852, 1853, 1857, |             |          |          | <b>390149 Sump—Oil</b>       |
|          | 1403, 1404, 1405, |             |          | 1858, 1861, 1864, |             |          |          | Used on Type Nos.            |
|          | 1406, 1409, 1413, |             |          | 1870, 1871, 1872, |             |          |          | 0575, 0792, 0793,            |
|          | 1415, 1416, 1418, |             |          | 1873, 1874, 1878, |             |          |          | 0794, 1143, 1210,            |
|          | 1422, 1423, 1424, |             |          | 1882, 1887, 1890, |             |          |          | 1211, 1216, 1311,            |
|          | 1426, 1427, 1433, |             |          | 1892, 1893, 1894, |             |          |          | 1312, 1313, 1525,            |
|          | 1437, 1438, 1441, |             |          | 1896, 1897, 1898, |             |          |          | 1550, 1551.                  |
|          | 1447, 1453, 1454, |             |          | 1900, 1901, 1904, |             |          |          | <b>390810 Sump—Oil</b>       |
|          | 1459, 1465, 1466, |             |          | 1906, 1911, 1916, |             |          |          | Used on Type Nos.            |
|          | 1467, 1468, 1469, |             |          | 1919, 1922, 1924, |             |          |          | 0567, 0577, 0580,            |
|          | 1472, 1475, 1476, |             |          | 1926, 1928, 1929, |             |          |          | 1129, 1130, 1223,            |
|          | 1478, 1479, 1480, |             |          | 1930, 1942, 1943, |             |          |          | 1224, 1456, 1457,            |
|          | 1481, 1482, 1489, |             |          | 1947, 1949, 1951, |             |          |          | 1567, 1568, 1596,            |
|          | 1491, 1492, 1493, |             |          | 1954, 1955, 1958, |             |          |          | 1613, 1635, 1651,            |
|          | 1498, 1503, 1507, |             |          | 1959, 1963, 1967, |             |          |          | 1735, 1736, 1742,            |
|          | 1513, 1515, 1516, |             |          | 1968, 1969, 1970, |             |          |          | 1743, 1744, 1745,            |
|          | 1518, 1520, 1522, |             |          | 1973, 1974, 1976, |             |          |          | 1746, 1747, 1748,            |
|          | 1523, 1526, 1527, |             |          | 1977, 1978, 1982, |             |          |          | 1756, 1757, 1788,            |
|          | 1529, 1535, 1538, |             |          | 1984, 1986, 1989, |             |          |          | 1832, 1841, 1842,            |
|          | 1539, 1540, 1542, |             |          | 1992, 1996, 1997, |             |          |          | 1843, 1844, 1845,            |
|          | 1552, 1553, 1560, |             |          | 1998, 2002, 2003, |             |          |          | 1846, 1879, 1895,            |
|          | 1566, 1577, 1580, |             |          | 2008, 2009, 2010, |             |          |          | 1903, 1910, 1931,            |
|          | 1581, 1583, 1584, |             |          | 2013, 2014, 2015, |             |          |          | 1934, 1937, 1956,            |
|          | 1586, 1588, 1594, |             |          | 2016, 2018, 2019, |             |          |          | 1964, 1991, 2052,            |
|          | 1599, 1605, 1606, |             |          | 2020, 2021, 2022, |             |          |          | 2053, 2054, 2055,            |
|          | 1617, 1619, 1621, |             |          | 2024, 2025, 2026, |             |          |          | 2059, 2121, 2140.            |
|          | 1626, 1627, 1628, |             |          | 2030, 2032, 2033, |             |          |          | <b>18A 299058 Sump—Oil</b>   |
|          | 1629, 1632, 1634, |             |          | 2036, 2040, 2041, |             |          |          | Used on Model 92980          |
|          | 1639, 1641, 1642, |             |          | 2047, 2048, 2050, |             |          |          | to 92989 Series.             |
|          | 1645, 1646, 1647, |             |          | 2051, 2056, 2072, |             |          |          | <b>Note: 391645 Sump—Oil</b> |
|          | 1649, 1653, 1655, |             |          | 2074, 2076, 2077, |             |          |          | Used on Type Nos.            |
|          | 1656, 1659, 1691, |             |          | 2078, 2082, 2084, |             |          |          | 0450, 0565, 0566,            |
|          | 1693, 1694, 1696, |             |          | 2087, 2088, 2090, |             |          |          | 0567, 0582, 0629,            |
|          | 1699, 1700, 1702, |             |          | 2092, 2096, 2097, |             |          |          | 0630, 0631, 0632,            |
|          | 1703, 1705, 1707, |             |          | 2098, 2099, 2100, |             |          |          | 0637, 0638, 0639,            |
|          | 1708, 1709, 1710, |             |          | 2101, 2102, 2104, |             |          |          | 0640, 0659, 0661,            |
|          | 1711, 1714, 1715, |             |          | 2105, 2106, 2109, |             |          |          | 0698, 0701, 0721,            |
|          | 1716, 1717, 1718, |             |          | 2111, 2112, 2113, |             |          |          | 0734, 0742, 0748,            |
|          | 1727, 1730, 1731, |             |          | 2116, 2117, 2124, |             |          |          | 0759, 0799, 0808,            |
|          | 1739, 1750, 1752, |             |          | 2128, 2129, 2131, |             |          |          | 0810, 0835, 0862,            |
|          | 1759, 1760, 1761, |             |          | 2141, 2142, 2145, |             |          |          | 0874, 0896, 0924,            |
|          | 1763, 1767, 1768, |             |          | 2147, 2148, 2149, |             |          |          | 0925, 0927, 0940,            |
|          | 1771, 1772, 1773, |             |          | 2150, 2151, 2155, |             |          |          | 0958, 0959, 0960,            |

\*Included in Gasket Set—  
Part No. 298989.

| REF. NO. | PART NO.  | DESCRIPTION | REF. NO. | PART NO.   | DESCRIPTION  | REF. NO. | PART NO. | DESCRIPTION  |  |  |
|----------|---|-------------|----------|--|--|----------|----------|--|--|--|
|          | 0985, 1010, 1011,<br>1015, 1022, 1023,<br>1029, 1030, 1031,<br>1038, 1039, 1047,<br>1048, 1060, 1067,<br>1068, 1071, 1089,<br>1095, 1098, 1109,<br>1110, 1111, 1123,<br>1127, 1128, 1131,<br>1132, 1133, 1134,<br>1137, 1141, 1157,<br>1158, 1159, 1160,<br>1168, 1169, 1172,<br>1188, 1189, 1191,<br>1192, 1197, 1200,<br>1202, 1214, 1236,<br>1237, 1239, 1243,<br>1248, 1250, 1251,<br>1259, 1260, 1269,<br>1270, 1275, 1294,<br>1299, 1300, 1304,<br>1307, 1320, 1321,<br>1322, 1325, 1326,<br>1331, 1353, 1354,<br>1361, 1362, 1367,<br>1372, 1373, 1377,<br>1379, 1395, 1400,<br>1402, 1412, 1428,<br>1429, 1443, 1449,<br>1451, 1455, 1464,<br>1473, 1483, 1486,<br>1487, 1494, 1495,<br>1499, 1501, 1504,<br>1510, 1512, 1546,<br>1547, 1548, 1549,<br>1554, 1564, 1569,<br>1572, 1575, 1578,<br>1585, 1589, 1591,<br>1595, 1600, 1602,<br>1604, 1610, 1624,<br>1637, 1640, 1648,<br>1652, 1657, 1658,<br>1660, 1664, 1668,<br>1678, 1681, 1690,<br>1706, 1720, 1721,<br>1725, 1728, 1732,<br>1738, 1741, 1753,<br>1754, 1758, 1764,<br>1766, 1798, 1809,<br>1815, 1822, 1828,<br>1840, 1855, 1867,<br>1907, 1917, 1940,<br>1950, 1952, 1953, |             |          | 1961, 1971, 1985,<br>1990, 2001, 2006,<br>2007, 2023, 2029,<br>2038, 2049, 2068,<br>2070, 2073, 2080,<br>2093, 2095, 2103,<br>2107, 2119, 2127,<br>2137, 2144, 2152,<br>2154, 2156, 2166,<br>2186, 2192, 2193. |  |          |          |  |  |  |
|          |   |             | 18B      | 394746   | Sump—Oil<br>(For Clutch)   | 23       | 297949   | Flywheel—Magneto   |  |  |
|          |   |             | 19       | 293709   | Bushing—Oil Sump<br><b>Note:</b> Requires Special<br>Tools for Installation  |          |          | <b>Note:</b> 296884 Flywheel—<br>Magneto<br>Used on Type Nos.<br>0015, 0019, 0020,<br>0023, 0050, 0060,<br>0090, 0133, 0134,<br>0141, 0146, 0149,<br>0152, 0161, 0173,<br>0178, 0179, 0180,<br>0181, 0182, 0185,<br>0191, 0201, 0204,<br>0205, 0206, 0208,<br>0212, 0217, 0229,<br>0236, 0237, 0240,<br>0246, 0248, 0253,<br>0256, 0257, 0261,<br>0262, 0263, 0264,<br>0265, 0273, 0282,<br>0286, 0295, 0296,<br>0302, 0303, 0311,<br>0316, 0317, 0322,<br>0325, 0329, 0330,<br>0334, 0348, 0354,<br>0356, 0357, 0358,<br>0364, 0368, 0370,<br>0372, 0374, 0376,<br>0379, 0381, 0382,<br>0383, 0385, 0388,<br>0391, 0394, 0397,<br>0400, 0403, 0405,<br>0409, 0419, 0422,<br>0425, 0426, 0429,<br>0435, 0447, 0448,<br>0449, 0450, 0451,<br>0452, 0515, 0519,<br>0523, 0550, 0551,<br>0560, 0670, 0677,<br>0678, 0682, 0683,<br>0687, 0689, 0704,<br>0707, 0715, 0716,<br>0717, 0718, 0732,<br>0760, 0769, 0770,<br>0771, 0780, 0782,<br>0783, 0785, 0786,<br>0795, 0803, 0805,<br>0806, 0807, 0817,<br>0819, 0826, 0844,<br>0855, 0857, 0877,<br>0891, 0893, 0894,<br>0901, 0905, 0915,<br>0919, 0920, 0922,<br>0928, 0929, 0950, |  |  |
|          |   |             | 20       | 391483   | Seal—Oil<br><b>Note:</b> 294160 Seal—Oil<br>(3/4" Auxiliary Drive<br>Shaft)<br>Used on Model 92992<br>Series Type Nos.<br>0040, 0041, 0044,<br>0540, 0544.<br>391484 Seal—Oil<br>(1/2" Auxiliary Drive<br>Shaft)<br>Used on Model 92990<br>to 92999 Series.<br>391485 Seal—Oil<br>(Crankshaft—P.T.O.<br>Side)<br>Used on Type Nos.<br>0270, 0545, 0736,<br>0737, 1014, 2075. |          |          |  |  |  |
|          |   |             | 20A      | 280266   | Seal—Oil   |          |          |  |  |  |
|          |   |             | 21       | 66768  | Plug—Oil Filler  |          |          |  |  |  |
|          |   |             | 22       | 93032  | Screw—Sump Mtg. Sem  |          |          |  |  |  |
|          |   |             | 22A      | 93415  | Screw—Sump Mtg. Sem<br>(One used in Auxiliary<br>Drive Gear Sump) on<br>Model 92980 to 92999<br>Series<br><b>Note:</b> Use 93032 Screw in<br>the other (5) Sump<br>Mounting Holes.<br>Use (4) 93032 Screws<br>With Ref. 914 Screw<br>on Clutch Type.   |          |          |  |  |  |

# 92900 to 92999

| REF. NO. | PART NO.  | DESCRIPTION   | REF. NO.   | PART NO.                                    | DESCRIPTION   | REF. NO.  | PART NO.                   | DESCRIPTION   |  |
|----------|---|---|------------|---|---|-----------|----------------------------|---|--|
|          | 0953, 0957, 0967, 0971, 0973, 0974, 0980, 0983, 0988, 0992, 1025, 1049, 1055, 1061, 1072, 1115, 1118, 1138, 1140, 1149, 1175, 1182, 1183, 1196, 1207, 1209, 1215, 1217, 1220, 1221, 1263, 1276, 1277, 1285, 1287, 1291, 1306, 1316, 1328, 1341, 1343, 1346, 1350, 1383, 1384, 1390, 1392, 1398, 1419, 1432, 1435, 1444, 1445, 1462, 1463, 1471, 1484, 1496, 1505, 1514, 1524, 1571, 1579, 1590, 1607, 1608, 1611, 1612, 1616, 1626, 1631, 1633, 1642, 1650, 1661, 1662, 1665, 1672, 1673, 1674, 1680, 1681, 1682, 1686, 1695, 1697, 1698, 1712, 1723, 1724, 1751, 1780, 1783, 1784, 1789, 1812, 1816, 1817, 1865, 1866, 1880, 1885, 1889, 1891, 1902, 1908, 1909, 1918, 1920, 1939, 1961, 1977, 1982, 1999, 2009, 2016, 2017, 2027, 2031, 2034, 2042, 2043, 2061, 2074, 2079, 2091, 2093, 2101, 2110, 2114, 2115, 2116, 2130, 2145, 2163, 2168, 2170, 2174, 2176, 2195. |   |            |   |   |           |                            |   |  |
|          | <b>394066</b>   | Flywheel—Magneto (Heavy)<br>Used on Type Nos. 1692, 2134. | <b>23A</b> | <b>394032</b>                               | Flywheel—Magneto (Used after Code No. 79092328.)<br><b>Note:</b> <b>299982</b> Flywheel—Magneto (Used before Code No. 79092428.)  |           |                            | <b>260443</b> Valve—Exhaust "STELLITE"<br>Used on Type Nos. 0090, 0101, 0450, 0605, 1982, 1986, 2009, 2018, 2047, 2093.   |  |
|          |   |   | <b>24</b>  | <b>61760</b>                                | Key—Flywheel  | <b>34</b> | <b>296677</b>              | Valve—Intake  |  |
|          |   |   | <b>25</b>  | <b>298904</b>                               | Piston—Assy.—Standard   | <b>35</b> | <b>260552</b>              | Spring—Intake Valve   |  |
|          |   |   |            | <b>298905</b>                               | Piston Assy.—.010" O.S.   | <b>36</b> | <b>26478</b>               | Spring—Exhaust Valve  |  |
|          |   |   |            | <b>298906</b>                               | Piston Assy.—.020" O.S.   |           | <b>Note:</b> <b>26826</b>  | Spring—Exhaust Valve  |  |
|          |   |   |            | <b>298907</b>                               | Piston Assy.—.030" O.S.   |           |                            | Used on Type Nos. 0090, 0101, 0139, 0227, 0258, 0282, 0283, 0331, 0339, 0445, 0450, 0535, 0605, 0690, 0779, 0839, 0892, 0893, 0898, 0919, 1007, 1008, 1194, 1379, 1509, 1510, 1769, 1823, 1896, 1905, 1982, 1986, 2009, 2018, 2047, 2088, 2093. |  |
|          |   |   |            | <b>MODEL 92900 SERIES PISTON RING SETS:</b> |   |           |                            |   |  |
|          |   |   |            | <b>Note:</b>                                | For Chrome Piston Ring Set—Standard Size—Order Part No. 299742.   |           |                            |   |  |
|          |   |   | <b>26</b>  | <b>298982</b>                               | Ring Set—Standard Piston  | <b>37</b> | <b>222403</b>              | Guard—Flywheel  |  |
|          |   |   |            | <b>298983</b>                               | Ring Set—.010" O.S. Piston  |           | <b>Note:</b> <b>222720</b> | Guard—Flywheel  |  |
|          |   |   |            | <b>298984</b>                               | Ring Set—.020" O.S. Piston  |           |                            | <b>Uses:</b>  |  |
|          |   |   |            | <b>298985</b>                               | Ring Set—.030" O.S. Piston  |           |                            | <b>93712</b> Screw  |  |
|          |   |   | <b>27</b>  | <b>26026</b>                                | Lock—Piston Pin   |           |                            | <b>93713</b> Washer   |  |
|          |   |   | <b>28</b>  | <b>298909</b>                               | Pin Assembly—Piston—Standard  |           |                            | Used on Type Nos. 0090, 0101, 0447, 0448, 0449, 0450, 0451, 0452.   |  |
|          |   |   |            | <b>298908</b>                               | Pin Assembly—Piston—.005" O.S.  | <b>40</b> | <b>93312</b>               | Retainer—Valve Spring   |  |
|          |   |   | <b>29</b>  | <b>294201</b>                               | Rod Assy.—Connecting  |           |                            | Used with valves with groove in stem.   |  |
|          |   |   |            | <b>Note:</b>                                | For Connecting Rod with .020" undersize Crankpin Bore—order No. 296079.   |           | <b>Note:</b> <b>292259</b> | Rotocap—Exhaust Valve   |  |
|          |   |   | <b>31</b>  | <b>222282</b>                               | Washer—Conn. Rod Screw (One for Each Screw)   |           |                            | <b>230126</b> Pin—Exhaust Valve Rotocap Retainer  |  |
|          |   |   | <b>32</b>  | <b>92296</b>                                | Screw—Connecting Rod  |           |                            | <b>230127</b> Retainer—Exhaust Valve Rotocap  |  |
|          |   |   | <b>33</b>  | <b>296676</b>                               | Valve—Exhaust   |           |                            | Used on Type Nos. 0090, 0101, 0139, 0227, 0258, 0282, 0283, 0331, 0339, 0445, 0450, 0535, 0605, 0690, 0779, 0839, 0892, 0893, 0898, 0919, 1007, 1008, 1194, 1379, 1509, 1510, 1769, 1823, 1896, 1905, 2088.                                     |  |
|          |   |   |            | <b>Note:</b>                                | <b>260442</b> Valve—Exhaust Used on Type Nos. 0139, 0227, 0258, 0282, 0283, 0331, 0339, 0445, 0535, 0690, 0779, 0839, 0892, 0893, 0898, 0919, 1007, 1008, 1194, 1379, 1509, 1510, 1769, 1823, 1896, 1905, 2088. |           |                            | Used on Type Nos. 0090, 0101, 0139, 0227, 0258, 0282, 0283, 0331, 0339, 0445, 0450, 0535, 0605, 0690, 0779, 0839, 0892, 0893, 0898, 0919, 1007,   |  |

| REF. NO. | PART NO. | DESCRIPTION   | REF. NO. | PART NO. | DESCRIPTION  | REF. NO. | PART NO. | DESCRIPTION   |  |  |  |  |
|----------|----------|---|----------|----------|--|----------|----------|---|--|--|--|--|
|          |          | 1008, 1194, 1379,<br>1509, 1510, 1769,<br>1823, 1896, 1905,<br>1982, 1986, 2009,<br>2018, 2047, 2088,<br>2093.  |          |          | 1362, 1367, 1368,<br>1379, 1389, 1402,<br>1408, 1410, 1443,<br>1450, 1451, 1455,<br>1470, 1473, 1486,<br>1487, 1488, 1495,<br>1504, 1505, 1508,<br>1510, 1512, 1521,<br>1536, 1537, 1544,<br>1545, 1546, 1547,<br>1548, 1554, 1561,<br>1562, 1563, 1564,<br>1572, 1575, 1578,<br>1589, 1592, 1593,<br>1597, 1602, 1610,<br>1637, 1640, 1648,<br>1652, 1654, 1658,<br>1660, 1669, 1677,<br>1678, 1690, 1704,<br>1706, 1719, 1720,<br>1725, 1732, 1734,<br>1741, 1749, 1758,<br>1766, 1779, 1797,<br>1809, 1828, 1835,<br>1854, 1855, 1862,<br>1867, 1883, 1912,<br>1913, 1917, 1952,<br>1961, 1983, 1985,<br>1987, 2001, 2007,<br>2029, 2037, 2038,<br>2039, 2045, 2064,<br>2068, 2069, 2070,<br>2071, 2089, 2093,<br>2094, 2095, 2103,<br>2126, 2127, 2136,<br>2137, 2144, 2152,<br>2154, 2156, 2190,<br>2192, 2193. |          |          |   |  |  |  |  |
| 45       | 230173   | Tappet—Valve  |          |          |  | 56       | 280117   | Pulley—Rewind Starter   |  |  |  |  |
| 46       | 210453   | Gear—Cam  |          |          |  | 57       | 294303   | Spring—Rewind Starter   |  |  |  |  |
|          | Note:    | 210804 Gear—Cam<br>Used on Type Nos.<br>0040, 0041, 0044,<br>0540, 0544.<br>211337 Gear—Cam<br>Used only on Model<br>92990 to 92999 Series.<br>except Type Nos.<br>0040, 0041, 0044,<br>0540, 0544, which use<br>Part 210804.   |          |          |  | 58       | 66694    | Rope—Rewind Starter<br>48-5/8" long   |  |  |  |  |
|          |          |   |          |          |  |          | Note:    | If longer rope is<br>needed, order No.<br>66684 and cut to<br>required length.  |  |  |  |  |
| 46A      | 298803   | Cam Gear, Worm and<br>Oil Slinger Assy.<br>(Clockwise)  |          |          |  | 59       | 230228   | Pin—Starter Rope  |  |  |  |  |
|          | Note:    | 299563 Cam Gear,<br>Worm and Oil Slinger<br>Assembly<br>(Counterclockwise)<br>Used on Type Nos.<br>0313, 0380, 0384,<br>0399, 0414, 0415,<br>0417, 0439, 0450,<br>0565, 0567, 0668,<br>0675, 0701, 0721,<br>0722, 0802, 0809,<br>0810, 0835, 0862,<br>0885, 0940, 0954,<br>0958, 0959, 0976,<br>0978, 0982, 0993,<br>0994, 1009, 1010,<br>1011, 1021, 1022,<br>1023, 1038, 1039,<br>1046, 1047, 1048,<br>1071, 1102, 1109,<br>1110, 1118, 1122,<br>1123, 1127, 1128,<br>1150, 1153, 1176,<br>1191, 1192, 1196,<br>1197, 1198, 1231,<br>1233, 1234, 1235,<br>1236, 1237, 1239,<br>1243, 1270, 1273,<br>1282, 1293, 1299, *<br>1300, 1304, 1307,<br>1308, 1349, 1361, |          |          |  | 60       | 393152   | Grip—Starter Rope   |  |  |  |  |
|          |          |   |          |          |  | 61       | 68618    | Bumper—Starter Pulley<br>(Used only with Steel<br>Pulley)   |  |  |  |  |
|          |          |   |          |          |  | 65       | 93587    | Screw—Vertical Pull<br>Starter Mounting   |  |  |  |  |
|          |          |   |          |          |  | 66       | 298310   | Clutch Assy.—Rewind<br>and Wind-up Starter  |  |  |  |  |
|          |          |   |          |          |  | 66A      | 393117   | Clutch—Assembly—<br>Rewind—Starter<br>(For Engines with<br>Ring Gear on Flywheel<br>equipped for or with<br>Electric Motor)   |  |  |  |  |
|          |          |   |          |          |  | 67       | 212131   | Housing—Starter<br>Clutch   |  |  |  |  |
|          |          |   |          |          |  | 67A      | 261453   | Housing—Rewind<br>Starter Clutch<br>(For Engines with<br>Ring Gear on Flywheel<br>equipped for or with<br>Electric Motor)   |  |  |  |  |
|          |          |   |          |          |  | 68       | 63770    | Ball—Clutch   |  |  |  |  |
|          |          |   |          |          |  | 69       | 66718    | Washer—Thrust<br>(1-1/16" O.D. x<br>17/32" I.D.)  |  |  |  |  |
|          |          |   |          |          |  |          | Note:    | 68938 Washer—Thrust<br>(13/16" O.D. x<br>17/32" I.D.)<br>Used on counterclock-<br>wise rotation Auxiliary<br>Drive P.T.O. Cam-<br>shaft and is located<br>next to the Worm Gear |  |  |  |  |
|          |          |   | 46B      | 394231   | Cam Gear—Oil<br>Slinger Assembly<br>(For Clutch)   | 69A      | 223225   | Washer—Clip   |  |  |  |  |
|          |          |   | 47       | 294652   | Oil Slinger Gear and<br>Bracket  | 69B      | 223228   | Washer—Thrust   |  |  |  |  |
|          |          |   |          | Note:    | 294718 Oil Slinger<br>Gear and Bracket<br>Used on Type Nos.<br>0040, 0041, 0044,<br>0540, 0544. —  | 69C      | 66718    | Washer—Thrust   |  |  |  |  |
|          |          |   | 52       | *270345  | Gasket—Intake Elbow  | 70       | 298436   | Ratchet—Rewind and<br>Wind-up Starter   |  |  |  |  |
|          |          |   | 53       | 391982   | Screw and Washer<br>Set  | 70A      | 298799   | Ratchet—Rewind<br>Starter Clutch<br>(For Engines with Ring<br>Gear on Flywheel<br>equipped for or with<br>Electric Motor)   |  |  |  |  |
|          |          |   | 54       | 93485    | Screw—Intake Elbow<br>Mounting   |          |          |   |  |  |  |  |

\*Included in Gasket Set—  
Part No. 298989.

# 92900 to 92999

| REF. NO. | PART NO. | DESCRIPTION  | REF. NO. | PART NO. | DESCRIPTION   | REF. NO. | PART NO. | DESCRIPTION  |
|----------|----------|--|----------|----------|---|----------|----------|--|
| 71       | 221653   | Washer—Clutch Retainer   |          | 230948   | Shaft—Drive Used on Type Nos. 0380, 0414, 0450, 0565, 0802, 0809, 0810, 0835, 1010, 1011, 1060, 1202, 1235, 1236, 1237, 1307, 1308, 1320, 1331, 1349, 1389, 1410, 1443, 1445, 1455, 1470, 1486, 1488, 1495, 1504, 1505, 1512, 1536, 1537, 1544, 1545, 1546, 1547, 1548, 1561, 1562, 1578, 1589, 1592, 1593, 1597, 1602, 1654, 1677, 1678, 1741, 1749, 1766, 1797, 1809, 1828, 1867, 1883, 1912, 1913, 1917, 1961, 1983, 2007, 2029, 2037, 2038, 2039, 2068, 2069, 2070, 2071, 2073, 2093, 2127, 2197, 2203. |          | 230985   | Shaft—Drive Used on Type Nos. 0978, 0993, 0994, 1021, 1022, 1023, 1046, 1047, 1048.  |
| 73       | 221661   | Screen—Rewind and Wind-up Starter  |          |          |   |          |          |  |
| 74       | 93490    | Screw—Sem  |          |          |   |          |          |  |
|          | Note:    | 93042 Screw—Sem (For Engines with Ring Gear on Flywheel equipped for or with Electric Motor)   |          |          |   |          |          | 230987 Shaft—Drive Used on Type Nos. 0582, 1029, 1030, 1031, 1032, 1134, 1168, 1169, 1372, 1373, 1499, 1549, 1591, 1595, 1604, 1721.   |
| 75       | 220865   | Washer—Spring  |          |          |   |          |          |  |
| 76       | 68238    | Washer—Ratchet Sealing   |          |          |   |          |          |  |
| 81       | 223256   | Lock—Muffler Screw   |          |          |   |          |          |  |
| 83       | 230831   | Shaft—Drive  |          |          |   |          |          |  |
|          | Note:    | 230860 Shaft—Drive Used on Type Nos. 0050, 0179, 0384, 0385, 0403, 0550, 0701, 0717, 0748, 0808, 0862, 1111, 1200, 1243, 1251, 1284, 1294, 1428, 1429, 2181, 2192.   |          |          |   |          |          | 231213 Shaft—Drive Used on Type Nos. 2011, 2023, 2080.   |
|          |          | 230870 Shaft—Drive Used on Type Nos. 0177, 0228, 0233, 0320, 0321, 0326, 0375, 0410, 0676, 0799, 0802, 0879, 0899, 0903, 0943, 0960, 0985, 1067, 1068, 1089, 1127, 1128, 1153, 1176, 1250, 1275, 1299, 1300, 1325, 1326, 1361, 1362, 1367, 1368, 2073. |          |          |   | 83A      | 231278   | Gear—Drive (230856 Gear—Drive Used Before Code No. 80111700.)  |
|          |          | 230921 Shaft—Drive Used on Type Nos. 0313, 0344, 0345, 0399, 0976, 1102, 1109, 1110, 1131, 1132, 1159, 1160, 1197, 1198, 1231, 1233, 1234, 1239, 1369, 1379, 1394, 1395, 1510, 1554, 1572, 1574, 1575, 1640, 1669, 1704, 1854, 1855, 1862.             |          |          |   |          | Note:    | 231279 Gear—Drive (230906 Gear—Drive Used Before Code No. 80111700.) Used on Type Nos. 0313, 0380, 0384, 0399, 0414, 0415, 0417, 0439, 0450, 0565, 0567, 0668, 0675, 0701, 0721, 0772, 0802, 0809, 0810, 0835, 0862, 0885, 0940, 0954, 0958, 0959, 0976, 0978, 0982, 0993, 0994, 1009, 1010, 1011, 1021, 1022, 1023, 1038, 1039, 1046, 1047, 1048, 1071, 1102, 1109, 1110, 1118, 1122, 1123, 1127, 1128, 1150, 1153, 1176, 1191, 1192, 1196, 1197, 1198, 1231, 1233, 1234, 1235, 1236, 1237, 1239, 1243, 1270, 1273, 1282, 1293, 1299, 1300, 1304, 1307, 1308, 1349, 1361, 1362, 1367, 1368, 1379, 1389, 1402. |



# 92900 to 92999

| REF. NO. | PART NO. | DESCRIPTION   | REF. NO. | PART NO. | DESCRIPTION   | REF. NO. | PART NO. | DESCRIPTION   |  |
|----------|----------|---|----------|----------|---|----------|----------|---|--|
|          |          | 1408, 1410, 1443, 1450, 1451, 1455, 1470, 1473, 1486, 1487, 1488, 1495, 1504, 1505, 1508, 1510, 1512, 1521, 1536, 1537, 1544, 1545, 1546, 1547, 1548, 1554, 1561, 1562, 1563, 1564, 1572, 1575, 1578, 1589, 1592, 1593, 1597, 1602, 1610, 1637, 1640, 1648, 1652, 1654, 1658, 1660, 1669, 1677, 1678, 1690, 1704, 1706, 1719, 1720, 1725, 1732, 1734, 1738, 1741, 1749, 1758, 1766, 1779, 1797, 1809, 1815, 1828, 1835, 1840, 1854, 1855, 1862, 1867, 1883, 1907, 1912, 1913, 1917, 1940, 1950, 1952, 1961, 1971, 1983, 1985, 1987, 2001, 2007, 2029, 2037, 2038, 2039, 2045, 2064, 2068, 2069, 2070, 2071, 2089, 2093, 2094, 2095, 2103, 2126, 2127, 2136, 2137, 2144, 2152, 2154, 2156, 2190, 2192, 2193, 2197, 2203. |          |          |   |          |          |   |  |
|          |          |   | 108      | 280178   | Valve—Choke<br><b>Note:</b> 280024 Valve—Choke Used on Type Nos. 0090, 0101, 0447, 0448, 0449, 0450, 0452, 1370.  | 188      | 93585    | Screw—Fuel Tank and Starter Mounting  |  |
|          |          |   | 109      | 68628    | Shaft and Lever—Choke   | 188A     | 93444    | Screw—Hex. Hd. Sem  |  |
|          |          |   | 114      | 66594    | Gasket—Needle Valve Nut   | 190      | 93440    | Screw—Fuel Tank Mtg.  |  |
|          |          |   | 116      | 280203   | O-Ring  | 191      | 270253   | Gasket and Diaphragm—Fuel Tank  |  |
|          |          |   | 116A     | 65978    | Packing—Needle Valve  | 200      | 68388    | Blade—Governor  |  |
|          |          |   | 117      | 230590   | Nut—Needle Valve  | 201      | 260878   | Link—Governor<br><b>Note:</b> 261027 Link—Governor Used on Model 92903, 92905, 92908, 92985, 92988, 92995, 92998 Series. Also with Zinc Flywheels.  |  |
|          |          |   | 118      | 23433    | Valve—Needle  | 209      | 260875   | Spring—Governor (For 3400 to 3600 RPM Top Speed Set—No Load)  |  |
|          |          |   | 120      | 92290    | Washer—Lock—No. 10 x 1/16 x 3/64"   |          |          | <b>Note:</b> 260876 Spring—Governor (For 3900 to 4100 RPM Top Speed Set—No Load Used on Type Nos. 0028, 0050, 0132, 0141, 0166, 0167, 0168, 0173, 0176, 0177, 0178, 0179, 0180, 0181, 0185, 0187, 0200, 0206, 0207, 0209, 0211, 0213, 0216, 0222, 0229, 0235, 0236, 0237, 0238, 0240, 0244, 0246, 0248, 0249, 0263, 0266, 0273, 0277, 0278, 0305, 0306, 0307, 0308, 0311, 0314, 0330, 0334, 0340, 0354, 0356, 0358, 0368, 0373, 0374, 0376, 0385, 0386, 0387, 0391, 0397, 0403, 0407, 0408, 0409, 0429, 0431, 0435, 0437, 0442, 0443, 0528, 0670, 0679, 0691, 0692, 0707, 0738, 0739, 0770, 0780, 0783, 0784, 0785, 0786, 0795, 0803, 0806, 0831, 0851, 0891, 0955, 0966, 0973, 1078, 1115, 1182. |  |
|          |          |   | 125      | 394063   | Carburetor Assembly   |          |          |   |  |
|          |          |   | 125A     | 390065   | Carburetor Assembly<br><b>Note:</b> 390126 Carburetor Assembly Used on all Model 92905, 92985, 92995 Series engines; also used on Type Nos. 0575, 0792, 0794, 1210, 1216, 1606, 1641, 1645, 1646, 1647, 1648, 1649. |          |          |   |  |
|          |          |   | 131      | 299977   | Shaft and Lever—Throttle  |          |          |   |  |
|          |          |   | 141      | 68908    | Shaft—Choke   |          |          |   |  |
|          |          |   | 147      | 230591   | Seat—Needle Valve   |          |          |   |  |
|          |          |   | 148      | 22235    | Washer—Needle Valve (2)   |          |          |   |  |
|          |          |   | 149      | 26336    | Spring—Needle Valve   |          |          |   |  |
|          |          |   | 151      | 93524    | Screw—Rd. Hd.—5-40 x 1/2  |          |          |   |  |
|          |          |   | 152      | 260746   | Spring—Throttle Adj.  |          |          |   |  |
|          |          |   | 163      | 271139   | Gasket—Air Cleaner Mounting   |          |          |   |  |
|          |          |   | 163A     | 270621   | Gasket—Air Cleaner Mounting   |          |          |   |  |
|          |          |   | 172      | 271077   | Gasket—Air Cleaner  |          |          |   |  |
|          |          |   | 180      | 391694   | Tank Assembly—Fuel Used on Type Nos. 0500 and up.   |          |          |   |  |
|          |          |   | 180A     | 298465   | Tank Assembly—Fuel Used on Type Nos. 0010 to 0450.  |          |          |   |  |
|          |          |   | 181      | 298425   | Cap—Fuel Tank<br><b>Note:</b> 297863 Cap—Fuel Tank Used on Type Nos. 0447, 0448, 0449.  |          |          |   |  |
| 86       | 221780   | Cover—Sump  |          |          |   |          |          |   |  |
| 87       | 391484   | Seal—Oil  |          |          |   |          |          |   |  |
| 88       | *270328  | Gasket—Sump Cover   |          |          |   |          |          |   |  |
| 90       | 298987   | Carburetor Assembly Used on Type Nos. 0010 to 0499.   |          |          |   |          |          |   |  |
| 95       | 93499    | Screw—Throttle Valve Mounting Sem   |          |          |   |          |          |   |  |
| 96       | 211237   | Valve—Throttle  |          |          |   |          |          |   |  |
| 97       | 298821   | Shaft and Lever—Throttle  |          |          |   |          |          |   |  |

\*Included in Gasket Set—Part No. 298989.

# 92900 to 92999

| REF. NO. | PART NO. | DESCRIPTION            | REF. NO. | PART NO. | DESCRIPTION       | REF. NO. | PART NO. | DESCRIPTION       |
|----------|----------|------------------------|----------|----------|-------------------|----------|----------|-------------------|
|          |          | 1183, 1217, 1220,      |          |          | 0724, 0727, 0728, |          |          | 1313, 1333, 1335, |
|          |          | 1244, 1287, 1306,      |          |          | 0729, 0730, 0733, |          |          | 1336, 1339, 1347, |
|          |          | 1370, 1398, 1444,      |          |          | 0734, 0735, 0736, |          |          | 1348, 1354, 1388, |
|          |          | 1463, 1484, 1543,      |          |          | 0737, 0741, 0742, |          |          | 1393, 1400, 1416, |
|          |          | 1558, 1611, 1614,      |          |          | 0743, 0744, 0746, |          |          | 1421, 1438, 1441, |
|          |          | 1642, 1650, 1672,      |          |          | 0747, 0749, 0750, |          |          | 1453, 1454, 1456, |
|          |          | 1692, 1700, 1708,      |          |          | 0752, 0755, 0761, |          |          | 1461, 1462, 1468, |
|          |          | 1723, 1733, 1755,      |          |          | 0762, 0763, 0771, |          |          | 1479, 1497, 1509, |
|          |          | 1782, 1787, 1801,      |          |          | 0776, 0778, 0791, |          |          | 1510, 1524, 1525, |
|          |          | 1802, 1824, 1880,      |          |          | 0792, 0793, 0794, |          |          | 1532, 1538, 1541, |
|          |          | 1891, 1918, 1960,      |          |          | 0796, 0797, 0801, |          |          | 1550, 1551, 1556, |
|          |          | 1974, 2017, 2172.      |          |          | 0802, 0805, 0807, |          |          | 1557, 1567, 1568, |
|          |          | 260877 Spring—Governor |          |          | 0809, 0810, 0819, |          |          | 1596, 1598, 1609, |
|          |          | (For 3200 to 3400 RPM  |          |          | 0820, 0821, 0822, |          |          | 1610, 1612, 1617, |
|          |          | Top Speed Set—No       |          |          | 0829, 0834, 0835, |          |          | 1621, 1622, 1635, |
|          |          | Load)                  |          |          | 0841, 0842, 0843, |          |          | 1638, 1639, 1641, |
|          |          | Used on Type Nos.      |          |          | 0844, 0866, 0872, |          |          | 1643, 1651, 1655, |
|          |          | 0134, 0136, 0137,      |          |          | 0873, 0875, 0876, |          |          | 1656, 1657, 1668, |
|          |          | 0138, 0142, 0151,      |          |          | 0879, 0880, 0882, |          |          | 1687, 1689, 1694, |
|          |          | 0153, 0154, 0156,      |          |          | 0884, 0888, 0889, |          |          | 1710, 1711, 1724, |
|          |          | 0160, 0165, 0174,      |          |          | 0894, 0895, 0896, |          |          | 1726, 1727, 1751, |
|          |          | 0184, 0192, 0193,      |          |          | 0897, 0902, 0907, |          |          | 1754, 1768, 1769, |
|          |          | 0194, 0195, 0196,      |          |          | 0908, 0909, 0913, |          |          | 1784, 1794, 1819, |
|          |          | 0198, 0199, 0201,      |          |          | 0919, 0922, 0924, |          |          | 1823, 1829, 1847, |
|          |          | 0202, 0203, 0204,      |          |          | 0926, 0928, 0930, |          |          | 1850, 1865, 1873, |
|          |          | 0205, 0208, 0217,      |          |          | 0939, 0940, 0941, |          |          | 1885, 1890, 1896, |
|          |          | 0218, 0219, 0223,      |          |          | 0944, 0946, 0947, |          |          | 1908, 1909, 1910, |
|          |          | 0225, 0253, 0254,      |          |          | 0950, 0952, 0958, |          |          | 1914, 1915, 1920, |
|          |          | 0255, 0256, 0257,      |          |          | 0959, 0963, 0965, |          |          | 1938, 1939, 1945, |
|          |          | 0261, 0262, 0265,      |          |          | 0969, 0977, 0978, |          |          | 1961, 1965, 1973, |
|          |          | 0272, 0279, 0280,      |          |          | 0981, 0992, 0993, |          |          | 1989, 1991, 1997, |
|          |          | 0286, 0290, 0295,      |          |          | 0994, 1003, 1007, |          |          | 1998, 2001, 2002, |
|          |          | 0297, 0300, 0301,      |          |          | 1008, 1028, 1029, |          |          | 2003, 2004, 2006, |
|          |          | 0302, 0327, 0328,      |          |          | 1030, 1031, 1032, |          |          | 2008, 2009, 2018, |
|          |          | 0337, 0338, 0342,      |          |          | 1051, 1063, 1065, |          |          | 2030, 2032, 2033, |
|          |          | 0343, 0344, 0345,      |          |          | 1072, 1088, 1099, |          |          | 2044, 2045, 2047, |
|          |          | 0355, 0377, 0378,      |          |          | 1100, 1106, 1118, |          |          | 2060, 2061, 2063, |
|          |          | 0380, 0382, 0384,      |          |          | 1119, 1120, 1121, |          |          | 2075, 2076, 2088, |
|          |          | 0389, 0390, 0393,      |          |          | 1125, 1129, 1130, |          |          | 2090, 2093, 2101, |
|          |          | 0394, 0395, 0400,      |          |          | 1133, 1137, 1138, |          |          | 2106, 2112, 2118, |
|          |          | 0401, 0404, 0412,      |          |          | 1140, 1141, 1143, |          |          | 2119, 2132, 2133, |
|          |          | 0413, 0414, 0418,      |          |          | 1156, 1157, 1158, |          |          | 2145, 2147, 2155, |
|          |          | 0419, 0421, 0423,      |          |          | 1161, 1162, 1167, |          |          | 2158, 2163, 2195, |
|          |          | 0433, 0438, 0441,      |          |          | 1172, 1185, 1186, |          |          | 2198, 2200, 2201, |
|          |          | 0444, 0450, 0526,      |          |          | 1188, 1189, 1194, |          |          | 2208.             |
|          |          | 0533, 0566, 0575,      |          |          | 1206, 1208, 1210, |          |          |                   |
|          |          | 0577, 0680, 0681,      |          |          | 1211, 1216, 1222, |          |          |                   |
|          |          | 0685, 0687, 0689,      |          |          | 1223, 1224, 1249, |          |          |                   |
|          |          | 0699, 0700, 0701,      |          |          | 1256, 1259, 1260, |          |          |                   |
|          |          | 0702, 0703, 0705,      |          |          | 1266, 1267, 1269, |          |          |                   |
|          |          | 0706, 0708, 0711,      |          |          | 1273, 1278, 1285, |          |          |                   |
|          |          | 0712, 0713, 0714,      |          |          | 1297, 1298, 1301, |          |          |                   |
|          |          | 0716, 0720, 0723,      |          |          | 1309, 1311, 1312, |          |          |                   |



# 92900 to 92999

| REF. NO. | PART NO.          | DESCRIPTION | REF. NO. | PART NO.                      | DESCRIPTION | REF. NO.   | PART NO.      | DESCRIPTION                               |
|----------|-------------------|-------------|----------|-------------------------------|-------------|------------|---------------|---|
|          | 1019, 1033, 1034, |             |          | 1839, 1840, 1848,             |             |            |               | 2067, 2068, 2069,                         |
|          | 1035, 1036, 1037, |             |          | 1849, 1851, 1857,             |             |            |               | 2070, 2071, 2111,                         |
|          | 1038, 1039, 1040, |             |          | 1863, 1874, 1877,             |             |            |               | 2113, 2130, 2160.                         |
|          | 1050, 1057, 1058, |             |          | 1881, 1882, 1883,             |             |            |               | <b>261312 Spring—Governor</b>             |
|          | 1059, 1069, 1071, |             |          | 1887, 1893, 1898,             |             |            |               | (For 2400 to 2600 RPM)                    |
|          | 1076, 1080, 1082, |             |          | 1899, 1906, 1907,             |             |            |               | Used on Type Nos.                         |
|          | 1083, 1084, 1090, |             |          | 1912, 1917, 1925,             |             |            |               | 1735, 1736, 1742,                         |
|          | 1091, 1092, 1093, |             |          | 1926, 1928, 1929,             |             |            |               | 1743, 1744, 1745,                         |
|          | 1101, 1105, 1109, |             |          | 1950, 1953, 1968,             |             |            |               | 1756, 1841, 1842,                         |
|          | 1110, 1111, 1112, |             |          | 1971, 1978, 1979,             |             |            |               | 1843, 1895, 1931.                         |
|          | 1122, 1123, 1126, |             |          | 1981, 1983, 1984,             |             |            |               | <b>261419 Spring—Governor</b>             |
|          | 1127, 1128, 1131, |             |          | 1985, 1990, 1992,             |             |            |               | (For 2500 to 2700 RPM)                    |
|          | 1142, 1144, 1145, |             |          | 1993, 2005, 2007,             |             |            |               | Used on Type Nos.                         |
|          | 1146, 1150, 1153, |             |          | 2014, 2015, 2021,             |             |            |               | 1757, 1846, 1956,                         |
|          | 1154, 1159, 1160, |             |          | 2036, 2041, 2050,             |             |            |               | 2052, 2053.                               |
|          | 1166, 1170, 1171, |             |          | 2081, 2094, 2095,             |             | <b>217</b> | <b>261520</b> | Spring—Return                             |
|          | 1173, 1174, 1176, |             |          | 2121, 2127, 2135,             |             |            |               | (Clutch Lever)                            |
|          | 1178, 1191, 1192, |             |          | 2136, 2137, 2140,             |             | <b>265</b> | <b>22372</b>  | Clamp—Casing                              |
|          | 1193, 1197, 1198, |             |          | 2149, 2151, 2156,             |             | <b>267</b> | <b>93469</b>  | Screw—Clamp Mtg.                          |
|          | 1200, 1203, 1204, |             |          | 2164, 2166, 2173,             |             | <b>268</b> | <b>66986</b>  | Casing—Control Wire—                      |
|          | 1214, 1230, 1238, |             |          | 2184, 2185, 2186,             |             |            |               | 48" long                                  |
|          | 1250, 1251, 1252, |             |          | 2187, 2188, 2189,             |             |            |               | <b>Note:</b> If longer casing is          |
|          | 1255, 1258, 1265, |             |          | 2190, 2191.                   |             |            |               | needed, specify length                    |
|          | 1270, 1275, 1284, |             |          | <b>261106 Spring—Governor</b> |             |            |               | in inches; if a shorter                   |
|          | 1286, 1294, 1295, |             |          | (For 2800 to 3000 RPM)        |             |            |               | casing is needed order                    |
|          | 1296, 1299, 1300, |             |          | Used on Type Nos.             |             |            |               | No. 66986 and cut to                      |
|          | 1303, 1317, 1325, |             |          | 0448, 0449, 1042,             |             |            |               | required length.                          |
|          | 1326, 1350, 1351, |             |          | 1043, 1044, 1045,             |             | <b>269</b> | <b>26099</b>  | Wire Control, 54" long                    |
|          | 1352, 1353, 1355, |             |          | 1046, 1047, 1048,             |             |            |               | <b>Note:</b> If longer wire is            |
|          | 1356, 1357, 1361  |             |          | 1056, 1062, 1114,             |             |            |               | needed, specify length                    |
|          | 1362, 1380, 1396, |             |          | 1179, 1212, 1213,             |             |            |               | in inches; if shorter                     |
|          | 1397, 1403, 1404, |             |          | 1235, 1236, 1237,             |             |            |               | wire is needed, order                     |
|          | 1405, 1406, 1408, |             |          | 1272, 1279, 1280,             |             |            |               | No. 26099 and cut to                      |
|          | 1411, 1412, 1414, |             |          | 1281, 1307, 1308,             |             |            |               | required length.                          |
|          | 1415, 1427, 1428, |             |          | 1349, 1389, 1442,             |             | <b>270</b> | <b>63426</b>  | Locknut—Control Wire                      |
|          | 1429, 1437, 1440, |             |          | 1443, 1488, 1495,             |             |            |               | Casing                                    |
|          | 1450, 1451, 1455, |             |          | 1502, 1503, 1504,             |             | <b>271</b> | <b>290568</b> | Lever Assembly                            |
|          | 1457, 1458, 1475, |             |          | 1512, 1533, 1534,             |             |            |               | Control                                   |
|          | 1584, 1613, 1628, |             |          | 1535, 1536, 1537,             |             | <b>284</b> | <b>93572</b>  | Screw—Clamp Mtg.                          |
|          | 1629, 1635, 1675, |             |          | 1544, 1545, 1546,             |             | <b>298</b> | <b>220859</b> | Locknut—Muffler                           |
|          | 1676, 1677, 1678, |             |          | 1547, 1548, 1560,             |             | <b>299</b> | <b>392811</b> | Muffler—Exhaust                           |
|          | 1679, 1686, 1702, |             |          | 1561, 1578, 1588,             |             | <b>300</b> | <b>298830</b> | Muffler—Exhaust                           |
|          | 1703, 1713, 1714, |             |          | 1589, 1616, 1651,             |             |            |               | <b>Note:</b> <b>29807</b> Muffler—Exhaust |
|          | 1719, 1720, 1722, |             |          | 1659, 1682, 1715,             |             |            |               | Used on Type Nos.                         |
|          | 1725, 1729, 1731, |             |          | 1734, 1746, 1748,             |             |            |               | 0419, 0928.                               |
|          | 1732, 1737, 1752, |             |          | 1750, 1759, 1796,             |             |            |               | <b>299106 Muffler—Exhaust</b>             |
|          | 1753, 1761, 1764, |             |          | 1797, 1805, 1806,             |             |            |               | Used on Type Nos.                         |
|          | 1765, 1776, 1778, |             |          | 1807, 1808, 1809,             |             |            |               | 0050, 0060, 0176,                         |
|          | 1779, 1781, 1783, |             |          | 1828, 1844, 1913,             |             |            |               | 0177, 0179, 0216,                         |
|          | 1785, 1795, 1799, |             |          | 1930, 1948, 1949,             |             |            |               | 0228, 0233, 0243,                         |
|          | 1804, 1812, 1815, |             |          | 1964, 1988, 2022,             |             |            |               | 0313, 0320, 0321.                         |
|          | 1830, 1833, 1835, |             |          | 2029, 2037, 2038,             |             |            |               | 0326, 0344, 0345.                         |
|          | 1836, 1837, 1838, |             |          | 2039, 2059, 2066,             |             |            |               | 0352, 0353, 0354,                         |



# 92900 to 92999

| REF. NO. | PART NO. | DESCRIPTION             | REF. NO. | PART NO. | DESCRIPTION              | REF. NO. | PART NO. | DESCRIPTION            |
|----------|----------|-------------------------|----------|----------|--------------------------|----------|----------|------------------------|
| 303      | 91943    | Elbow—Exhaust           | 325      | 298731   | Starter Pulley with      | 356      | 298479   | Wire—Ground            |
| 304      |          | Housing—Blower          |          |          | Screen                   |          | Note:    | 298581 Wire—Ground     |
|          |          | For Type Numbers not    | 329      | 93294    | Screw—Sem                |          |          | Used on Type Nos.      |
|          |          | listed below, see Ref.  |          | Note:    | 93415 Screw—Sem          |          |          | 0387, 0437, 0441,      |
|          |          | No. 608.                |          |          | 62199 Washer             |          |          | 0702, 0703, 1303,      |
|          | Note:    | 298467 Housing—         |          |          | Used to mount Starting   |          |          | 1336, 1425, 1454,      |
|          |          | Blower                  |          |          | Motor to Bracket on      |          |          | 1553, 1606, 1673,      |
|          |          | (For Rope Starter)      | 330      | 395022   | Type No. 0737.           |          |          | 1826.                  |
|          |          | Used on Type Nos.       |          | Note:    | Rope—Starter             |          |          | 391554 Wire—Ground     |
|          |          | 0229, 0265, 0351,       |          |          | 391609 Rope—Starter      |          |          | Used on Type Nos. 0580 |
|          |          | 0419, 0580, 0582,       |          |          | (For use on All Electric |          |          | 1440, 1450, 1451,      |
|          |          | 0771, 0928, 1099,       |          |          | Starter Engines with     |          |          | 1544, 1545, 1546,      |
|          |          | 1976, 1978, 1984,       | 331      | 220855   | Auxiliary Rope Pulley)   |          |          | 1547, 1548, 1560,      |
|          |          | 1985, 1986, 1989,       |          |          | Washer—Flywheel          |          |          | 1561, 1562, 1563,      |
|          |          | 1991, 1992, 1996,       | 332      | 92284    | Nut—Flywheel             |          |          | 1564, 1567, 1568,      |
|          |          | 1997, 1998, 2001,       | 333      | 298502   | Armature—Magneto         |          |          | 1571, 1572, 1573,      |
|          |          | 2002, 2003, 2007,       | 334      | 93381    | Screw—Armature           |          |          | 1574, 1575, 1576,      |
|          |          | 2010, 2014, 2015,       |          |          | Mounting Sem             |          |          | 1578, 1589, 1592,      |
|          |          | 2021, 2022, 2023,       | 335      | 93435    | Screw—Armature and       |          |          | 1593, 1596, 1597,      |
|          |          | 2024, 2026.             |          |          | Governor Blade           |          |          | 1602, 1621, 1622,      |
|          |          | 298570 Housing—         |          |          | Mounting Sem             |          |          | 1641, 1655, 1669,      |
|          |          | Blower                  | 337      | 298809   | Plug—Spark               |          |          | 1677, 1712, 1784,      |
|          |          | (For Wind-up Starter)   |          |          | 1-1/2" high—             |          |          | 1797, 1809, 1910,      |
|          |          | Used on Model 92906,    |          |          | 37-42 M.M.               |          |          | 1913, 1915, 1945,      |
|          |          | 92996 Series.           |          | Note:    | 29693 Plug—Spark         |          |          | 1959, 1996, 2016,      |
|          |          | 390279 Housing—         |          |          | 2" high—51 M.M.          |          |          | 2029, 2060, 2101.      |
|          |          | Blower                  |          |          | 293918 Plug—Spark        | 358      | 298989   | Gasket Set             |
|          |          | (For Vertical-Pull and  |          |          | (Resistor Type)          | 363      | 19069    | Puller—Flywheel        |
|          |          | Electric Starter)       |          |          | 1-1/2" high—37 M.M.      |          |          | (Optional Accessory)   |
|          |          | Used on Model 92905,    |          |          | 392588 Plug—Spark        | 372      | 220477   | Clamp—Condenser        |
|          |          | 92908, 92985, 92988,    |          |          | (Resistor Type)          | 374      | 92813    | Washer—Lock—           |
|          |          | 92995, 92998 Series.    |          |          | 2" high—51 M.M.          |          |          | Shakeproof             |
| 305      | 93559    | Screw—Blower Housing    | 340      | 26018    | Spring—Breaker Arm       | 375      | 294628   | Breaker Points and     |
|          |          | Mounting Sem            | 341      | 93381    | Screw—Breaker Arm        |          |          | Condenser Set          |
| 306      | 221805   | Shield—Cylinder         |          |          | Mounting Sem             |          | Note:    | 299061 Ignition Kit    |
| 307      | 93490    | Screw—Cylinder Shield   | 342      | 65704    | Plunger—Breaker Point    |          |          | Includes:              |
|          |          | and Rotating Screen     | 344      | 93042    | Screw—Condenser          |          |          | 294628 Point Set       |
|          |          | Mounting Sem            |          |          | Clamp Mounting Sem       |          |          | 65704 Plunger          |
| 309      | 391551   | Motor—Starter           | 345      | 220366   | Cover—Breaker Point      |          |          | 61760 Key—Flywheel     |
|          | Note:    | 391943 Motor—Starter    |          |          | and Condenser            | 377      | 93065    | Key—Woodruff No. 6     |
|          |          | Used on Type No. 1312   | 346      | 93705    | Screw—Sem                | 382      | 93545    | Screw—Choke Link       |
|          |          | before Code No.         | 351      | 93735    | Screw—Terminal           |          |          | Cover                  |
|          |          | 74021500.               | 352      | 66068    | Washer—Insulating        | 383      | 89838    | Wrench—Spark Plug      |
| 310      | 93774    | Bolt—Starter Motor      | 353      | 92791    | Washer—Lock—             | 390      | 261015   | Spring—Diaphragm       |
|          |          | (3" long)               |          |          | Shakeproof (3)           | 392      | 260455   | Spring—Fuel Pump       |
|          | Note:    | 93609 Bolt—Starter      | 354      | 90576    | Nut—Hex.—8-32 (2)        |          |          | Diaphragm              |
|          |          | Motor (2-3/4" long)     | 355      | 66554    | Collar—Insulating        | 394      | 391681   | Diaphragm—Carburetor   |
| 311      | 390204   | Brush Kit—Starter Motor |          |          |                          | 396      | 270571   | Gasket—Choke Link      |
| 324      | 223006   | Screen—Rotating         |          |          |                          |          |          | Cover                  |
|          |          | (Used after Code No.    |          |          |                          | 397      | 211678   | Cover—Choke Link       |
|          |          | 79092328)               |          |          |                          | 409      | 299839   | Control—Dial           |
|          | Note:    | 222063 Screen—Rotating  |          |          |                          | 410      | 260993   | Link—Control           |
|          |          | (Used before Code No.   |          |          |                          | 423      | 93599    | Screw—Sem              |
|          |          | 79092428)               |          |          |                          |          |          |                        |

| REF. NO. | PART NO. | DESCRIPTION  | REF. NO. | PART NO. | DESCRIPTION  | REF. NO. | PART NO. | DESCRIPTION  |
|----------|----------|--|----------|----------|--|----------|----------|--|
| 432      | 221377   | Cap—Spring   | 525A     | 392055   | Tube—Oil Filler<br>(Complete Oil Fill<br>Cap with Dipstick and<br>Oil Filler Tube Assy.) | 592      | 90356    | Nut—Hex.—10-24   |
| 441      | 222530   | Bracket—Oil Fill Tube  |          |          |  | 608      | 390270   | Starter Assy.—Rewind<br>(12 o'clock position)  |
| 445      | 392308   | Cartridge—Air Cleaner  | 525B     | 298663   | Tube—Oil Filler  |          | 298601   | Starter Assy.—<br>Rewind   |
| 446      | 222844   | Base—Air Cleaner   | 527      | 222548   | Clamp—Oil Filler Tube  |          |          | (4 o'clock position)   |
| 447      | 93913    | Screw—Cover Mtg.   | 527A     | 222064   | Tube Clamp   |          |          | Used on Type Nos.  |
| 455      | 297542   | Cup, Spring and<br>Release Assembly  | 529      | 67838    | Grommet—Breather   |          |          | 0164, 0173, 0186,  |
| 458      | 298431   | Handle Assy.—<br>Cranking  | 534      | 93374    | Screw—Air Cleaner  |          |          | 0217, 0248, 0270,  |
| 459      | 221332   | Pawl—Ratchet   |          | Note:    | 230741 Stud  |          |          | 0286, 0293, 0322,  |
| 460      | 93272    | Retainer—Ratchet Pawl  |          |          | 92067 Nut—Wing   |          |          | 0356, 0388, 0671,  |
| 461      | 93298    | Screw—Handle Mtg.  |          |          | Used on Type No. 0855.   |          |          | 0677, 0678, 0707,  |
| 462      | 221237   | Washer—Handle Mtg.   | 534A     | 93818    | Screw—Air Cleaner<br>(Internal)  |          |          | 0714, 0894, 0915,  |
| 467      | 299858   | Knob—Dial Control  | 535      | 270579   | Element—Air Cleaner<br>(2—Slanted Sides)   |          |          | 0929, 0967, 0976,  |
| 508      | 93158    | Screw—Sem  |          |          | Used on Type Nos.<br>0500 and up.  |          |          | 1055, 1102, 1209,  |
| 513      | 390074   | Clutch Assembly—<br>Electric Starter   |          | Note:    | 270209 Element—Air<br>Cleaner  |          |          | 1231, 1233, 1262,  |
| 515      | 260537   | Spring—Ratchet Pawl  |          |          | Uses:  |          |          | 1282, 1337, 1484,  |
| 516      | 260374   | Spring—Connector   |          |          | 221969 Support   |          |          | 1496, 1505, 1506,  |
| 517      | 390042   | Starter Pulley with<br>Screen  |          |          | 280015 Cup   |          |          | 1590, 1615, 1640,  |
| 520      | 93722    | Terminal—Spade   |          |          | Used on Type No. 0855.   |          |          | 1662, 1695, 1712,  |
| 523      | 391838   | Cap with Dipstick—<br>Oil Filler   | 535A     | 270979   | Element—Air Cleaner  |          |          | 1784, 1812, 1867,  |
|          | Note:    | For complete Oil Fill<br>Cap with Dipstick and<br>Oil Filler Tube Assy.—<br>order Part 392055<br>For Oil Minder, see<br>Ref. No. 665.<br>392042 Cap with Dip-<br>stick—Oil Filler<br>Used on Type Nos.<br>1569, 1604, 1584,<br>1813, 1814, 1815. | 535B     | 270251   | Element—Air Cleaner<br>(1—Slanted Side)  |          |          | 1876, 1902, 1921,  |
| 523A     | 392055   | Cap with Dipstick—<br>Oil Filler<br>(Complete Oil Fill<br>Cap with Dipstick and<br>Oil Filler Tube Assy.)  | 536      | 390055   | Cleaner Assembly—Air<br>(2—Slanted Sides)  |          |          | 2061, 2083, 2089,<br>2091, 2167.   |
| 523B     | 298664   | Cap & Dipstick—<br>Oil Filler  |          |          | Used on Type No. 0855.   |          | Note:    | 390268 Starter Assy.—<br>Rewind<br>(10 o'clock position)   |
|          | Note:    | For complete Oil Fill<br>Cap with Dipstick and<br>Oil Filler Tube Assy.—<br>Order Part 298684.   | 536A     | 392368   | Cleaner Assy.—Air  |          |          | Used on Type Nos.<br>0040, 0044, 0144,<br>0152, 0153, 0156,<br>0157, 0158, 0163,<br>0165, 0166, 0174,<br>0182, 0185, 0187,<br>0193, 0203, 0204,<br>0205, 0206, 0207,<br>0210, 0212, 0220,<br>0225, 0227, 0241,<br>0244, 0245, 0246,<br>0254, 0256, 0257,<br>0258, 0263, 0266,<br>0268, 0274, 0275,<br>0277, 0287, 0289,<br>0295, 0296, 0300,<br>0301, 0302, 0303,<br>0304, 0306, 0308,<br>0311, 0312, 0315,<br>0330, 0331, 0333,<br>0334, 0340, 0342,<br>0343, 0348, 0350,<br>0355, 0357, 0358,<br>0360, 0361, 0362,<br>0365, 0370, 0375,<br>0382, 0384, 0391, |
| 523C     | 392359   | Extended Oil Minder  | 536B     | 298566   | Cleaner Assy.—Air<br>(1—Slanted Side)  |          |          |  |
| 524      | 68838    | Seal—Filler Tube   |          | Note:    | Replaced by<br>390055 Air Cleaner<br>Assembly<br>(2—Slanted Sides)                       |          |          |  |
| 524A     | 270306   | Seal<br>(Between Tube and<br>Sump)   |          |          | Used on Type Nos.<br>0010 to 0450.   |          |          |  |
| 525      | 280131   | Tube—Oil Filler  | 544      | 391667   | Armature—Starter<br>(4-1/16" long)   |          |          |  |
|          |          |  |          | Note:    | 390206 Armature—<br>Starter (3-13/16" long)  |          |          |  |
|          |          |  | 548      | 390208   | Washer Set—Starter<br>Motor  |          |          |  |
|          |          |  | 549      | 270978   | Washer (Below Internal<br>Screw Head)  |          |          |  |

# 92900 to 92999

| REF. NO. | PART NO.  | DESCRIPTION | REF. NO. | PART NO.   | DESCRIPTION | REF. NO. | PART NO.   | DESCRIPTION |
|----------|---|-------------|----------|--|-------------|----------|--|-------------|
|          | 0395, 0397, 0405, 0407, 0410, 0411, 0421, 0424, 0426, 0427, 0428, 0432, 0436, 0438, 0439, 0442, 0446, 0451, 0540, 0544, 0670, 0687, 0688, 0689, 0704, 0711, 0713, 0731, 0732, 0757, 0758, 0760, 0762, 0764, 0769, 0770, 0772, 0778, 0783, 0784, 0786, 0795, 0811, 0813, 0822, 0826, 0842, 0855, 0856, 0871, 0875, 0878, 0883, 0889, 0899, 0903, 0914, 0916, 0917, 0918, 0919, 0920, 0922, 0930, 0933, 0937, 0938, 0943, 0945, 0948, 0949, 0951, 0953, 0970, 0973, 0979, 0980, 0981, 0988, 0997, 1005, 1072, 1115, 1125, 1175, 1207, 1225, 1244, 1246, 1254, 1255, 1272, 1285, 1310, 1316, 1328, 1376, 1391, 1407, 1430, 1452, 1497, 1524, 1530, 1531, 1543, 1565, 1601, 1608, 1618, 1631, 1672, 1679, 1687, 1688, 1689, 1692, 1740, 1751, 1769, 1783, 1787, 1789, 1802, 1810, 1865, 1875, 1927, 1957, 1958, 1977, 1980, 2020, 2044, 2045, 2047, 2074, 2120, 2123, 2125, 2145, 2146, 2163. |             |          | 390274 Starter Assy.—<br>Rewind<br>(1:30 o'clock position)<br>Used on Type Nos.<br>0021, 0024, 0050,<br>0101, 0139, 0159,<br>0162, 0170, 0172,<br>0176, 0178, 0179,<br>0180, 0195, 0197,<br>0200, 0202, 0226,<br>0232, 0233, 0247,<br>0249, 0260, 0282,<br>0285, 0294, 0309,<br>0313, 0318, 0321,<br>0332, 0344, 0346,<br>0352, 0368, 0376,<br>0377, 0380, 0385,<br>0386, 0398, 0399,<br>0400, 0401, 0404,<br>0409, 0415, 0416,<br>0417, 0420, 0445,<br>0447, 0521, 0524,<br>0535, 0550, 0605,<br>0673, 0675, 0676,<br>0686, 0690, 0700,<br>0709, 0717, 0718,<br>0725, 0738, 0739,<br>0740, 0741, 0752,<br>0754, 0755, 0773,<br>0801, 0802, 0806,<br>8023, 0845, 0857,<br>0865, 0885, 0886,<br>0887, 0913, 0931,<br>0939, 0940, 0975,<br>0978, 0986, 0989,<br>0991, 1006, 1009,<br>1017, 1018, 1020,<br>1021, 1025, 1026,<br>1041, 1043, 1046,<br>1050, 1051, 1057,<br>1065, 1070, 1073,<br>1082, 1085, 1105,<br>1113, 1116, 1117,<br>1119, 1120, 1122,<br>1142, 1145, 1150,<br>1163, 1173, 1176,<br>1178, 1188, 1199,<br>1203, 1206, 1212,<br>1226, 1229, 1230,<br>1234, 1235, 1238,<br>1241, 1245, 1251,<br>1256, 1267, 1271,<br>1273, 1274, 1276, |             |          | 1277, 1279, 1284,<br>1286, 1288, 1291,<br>1292, 1293, 1303,<br>1341, 1343, 1349,<br>1358, 1363, 1366,<br>1370, 1380, 1381,<br>1389, 1392, 1396,<br>1408, 1417, 1431,<br>1435, 1436, 1440,<br>1442, 1444, 1445,<br>1458, 1470, 1488,<br>1500, 1502, 1508,<br>1521, 1533, 1534,<br>1536, 1537, 1544,<br>1545, 1556, 1557,<br>1558, 1561, 1562,<br>1563, 1571, 1572,<br>1573, 1578, 1582,<br>1587, 1588, 1589,<br>1613, 1622, 1636,<br>1638, 1663, 1669,<br>1670, 1681, 1682,<br>1684, 1686, 1693,<br>1704, 1722, 1734,<br>1750, 1796, 1797,<br>1800, 1805, 1835,<br>1854, 1856, 1862,<br>1884, 1889, 1891,<br>1899, 1913, 1915,<br>1923, 1945, 1946,<br>1966, 1975, 1979,<br>1983, 1987, 1988,<br>1999, 2011, 2027,<br>2029, 2037, 2038,<br>2039, 2042, 2060,<br>2064, 2066, 2067,<br>2069, 2070, 2071,<br>2080, 2116, 2126,<br>2130, 2135, 2136,<br>2153, 2181, 2187,<br>2189, 2193, 2200.<br>390280 Starter Assy.—<br>Rewind (3 o'clock)<br>Used on Type Nos.<br>0198, 0218, 0219,<br>0253, 0279, 0281,<br>0288, 0290, 0310,<br>0328, 0336, 0337,<br>0359, 0363, 0392,<br>0393, 0394, 0406,<br>0412, 0431, 0450,<br>0526, 0691, 0705,<br>0727, 0729, 0787, |             |



# 92900 to 92999

| REF. NO. | PART NO. | DESCRIPTION  | REF. NO.   | PART NO.      | DESCRIPTION   | REF. NO. | PART NO. | DESCRIPTION |  |  |
|----------|----------|--|------------|---------------|---|----------|----------|-------------|--|--|
|          |          | 0788, 0792, 0816,<br>0817, 0818, 0821,<br>0851, 0860, 0954,<br>0962, 0972, 0982,<br>0984, 1002, 1029,<br>1030, 1033, 1074,<br>1076, 1091, 1097,<br>1144, 1147, 1166,<br>1181, 1184, 1186,<br>1187, 1205, 1216,<br>1253, 1261, 1268,<br>1295, 1296, 1306,<br>1314, 1315, 1318,<br>1327, 1346, 1350,<br>1352, 1355, 1357,<br>1410, 1411, 1414,<br>1419, 1420, 1434,<br>1446, 1448, 1450,<br>1471, 1474, 1477,<br>1490, 1499, 1509,<br>1528, 1570, 1586,<br>1592, 1597, 1598,<br>1609, 1612, 1616,<br>1623, 1625, 1626,<br>1637, 1643, 1648,<br>1650, 1654, 1661,<br>1677, 1698, 1701,<br>1713, 1719, 1723,<br>1724, 1728, 1729,<br>1733, 1737, 1749,<br>1770, 1776, 1779,<br>1781, 1793, 1801,<br>1823, 1830, 1831,<br>1837, 1848, 1859,<br>1860, 1863, 1877,<br>1880, 1881, 1883,<br>1888, 1905, 1912,<br>1914, 1922, 1925,<br>1944, 1961, 1972,<br>1993, 1994, 1995,<br>2000, 2004, 2028,<br>2035, 2063, 2081,<br>2085, 2086, 2093,<br>2097, 2104, 2108,<br>2109, 2110, 2114,<br>2118, 2119, 2132,<br>2133, 2138, 2139,<br>2143, 2157, 2160,<br>2162, 2164, 2168,<br>2171, 2175, 2178,<br>2179, 2194, 2201,<br>2202, 2205, 2211. |            |               | <b>390571 Starter Assy.—</b><br>Rewind (8 o'clock)<br>Used on Type Nos.<br>0143, 0160, 0161,<br>0208, 0237, 0238,<br>0284, 0354, 0403,<br>0429, 0444, 0716,<br>0756, 0805, 0807,<br>0957, 0965, 1042,<br>1052, 1180, 1201,<br>1227, 1305, 1329,<br>1347, 1394, 1511,<br>1555, 1574, 1765,<br>1799, 1836, 1886,<br>1948, 1962, 1981,<br>2005, 2056, 2094,<br>2185, 2190.<br><b>391477 Starter Assy.—</b><br>Rewind (6 o'clock)<br>Use on Type Nos.<br>0155, 0188, 0191,<br>0222, 0236, 0276,<br>0291, 0329, 0372,<br>0383, 0435, 0683,<br>0697, 0785, 0901,<br>0971, 0983, 1096,<br>1148, 1182, 1183,<br>1220, 1383, 1384,<br>1398, 1421, 1461,<br>1463, 1485, 1532,<br>1541, 1697, 1817,<br>1938, 1941, 1965,<br>2031, 2122.<br><b>393214 Starter Assy.—</b><br>Rewind (3 o'clock)<br>(Special Knot and<br>Housing)<br>Used on Type Nos.<br>0448, 0449.<br><b>393276 Starter Assy.—</b><br>Rewind (6 o'clock)<br>(Long Rope)<br>Used on Type No.<br>1803.<br><b>393441 Starter Assy.—</b><br>Rewind (3 o'clock)<br>Used on Type Nos.<br>1990, 2006, 2008,<br>2019, 2050, 2070,<br>2078, 2082. |          |          |             |  | <b>617 270344 Seal—Fuel Intake Tube</b><br><b>618 260870 Spring—Choke Return</b><br><b>620 299974 Plate—Carburetor</b><br>Control<br>Used on Type Nos.<br>0500 and up, except<br>those with Electric<br>Starters.<br><br><b>Note: 222984 Control Bracke:</b><br>is furnished by<br>Equipment Manufactur-<br>Used on Type Nos.<br>1964, 2055, 2059.<br><b>299975 Plate—</b><br>Carburetor Control<br>Used on Type Nos.<br>0515, 0516, 0517,<br>0519, 0521, 0523,<br>0524, 0526, 0528,<br>0529, 0530, 0532,<br>0533, 0534, 0540,<br>0542, 0543, 0544,<br>0545, 0550, 0551,<br>0560, 0565, 0566,<br>0567, 0571, 0572,<br>0573, 0574, 0575,<br>0605, 0652,<br>0655, 0656,<br>0657, 0660, 0661,<br>0662, 0665, 0666,<br>0782, 0686, 0689,<br>0723, 0738, 0739,<br>0740, 0770, 0771,<br>0778, 0779, 0783,<br>0784, 0792, 0850,<br>0894, 0902, 0916,<br>0921, 0928, 0948,<br>0952, 0964, 0981,<br>0987, 1061, 1063,<br>1078, 1114, 1134,<br>1135, 1165, 1167,<br>1172, 1173, 1184,<br>1199, 1203, 1208,<br>1216, 1221, 1226,<br>1230, 1232, 1246,<br>1256, 1257, 1261,<br>1278, 1283, 1303,<br>1306, 1313, 1314,<br>1339, 1358, 1370,<br>1371, 1386, 1388,<br>1390, 1393, 1396,<br>1397, 1404, 1408,<br>1425, 1430, 1431. |
|          |          |  | <b>611</b> | <b>297219</b> | Pipe—Fuel (long)  |          |          |             |  |  |
|          |          |  | <b>612</b> | <b>296811</b> | Pipe—Fuel (short)   |          |          |             |  |  |
|          |          |  | <b>613</b> | <b>93935</b>  | Screw—Muffler Mtg.  |          |          |             |  |  |

# 92900 to 92999

| REF. NO. | PART NO. | DESCRIPTION  | REF. NO. | PART NO. | DESCRIPTION  | REF. NO. | PART NO. | DESCRIPTION |  |   |
|----------|----------|--|----------|----------|--|----------|----------|-------------|--|---|
|          |          | 1439, 1440, 1442,<br>1443, 1458, 1468,<br>1469, 1478, 1479,<br>1484, 1488, 1497,<br>1499, 1507, 1511,<br>1513, 1514, 1515,<br>1516, 1523, 1524,<br>1526, 1529, 1534,<br>1536, 1538, 1540,<br>1545, 1549, 1558,<br>1559, 1579, 1590,<br>1611, 1612, 1614,<br>1616, 1633, 1642,<br>1653, 1694, 1699,<br>1700, 1705, 1708,<br>1715, 1719, 1724,<br>1751, 1755, 1769,<br>1780, 1782, 1792,<br>1795, 1810, 1829,<br>1835, 1836, 1865,<br>1890, 1896, 1927,<br>1928, 1960, 1966,<br>1980, 1988, 1998,<br>2017, 2034, 2035,<br>2043, 2062, 2063,<br>2079, 2084, 2088,<br>2098, 2142, 2147,<br>2161, 2163, 2168,<br>2175, 2182, 2187,<br>2194. |          |          | <b>Note:</b> 298837 Plate Assy.—<br>Carburetor Control<br>Used on Type Nos.<br>0015, 0016, 0017,<br>0018, 0019, 0020,<br>0021, 0022, 0023,<br>0024, 0028, 0029,<br>0030, 0031, 0032,<br>0033, 0034, 0040,<br>0041, 0042, 0043,<br>0044, 0050, 0060,<br>0090, 0101, 0139,<br>0156, 0158, 0169,<br>0174, 0185, 0194,<br>0195, 0200, 0206,<br>0207, 0213, 0217,<br>0223, 0247, 0249,<br>0258, 0263, 0265,<br>0273, 0275, 0279,<br>0280, 0282, 0283,<br>0285, 0286, 0294,<br>0295, 0297, 0299,<br>0302, 0303, 0309,<br>0331, 0338, 0339,<br>0342, 0343, 0355,<br>0357, 0358, 0359,<br>0370, 0379, 0416,<br>0419, 0422, 0440,<br>0447, 0448, 0449,<br>0451, 0452. |          |          |             |  | 642 222626 Cover—Air Cleaner<br>643 222991 Cup—Air Cleaner<br>643A 222594 Cup—Air Cleaner<br>645 23513 Bushing—Plunger<br>646 222086 Bracket—Electric<br>Starter Mounting<br>655 222057 Anchor—Spring<br>665 296768 Oil Minder<br>666 299992 Gauge—Fuel Level<br>(Used only on type<br>Nos. 0500 and up)<br>666A 297073 Gauge—Fuel Level<br>(Used only on Type<br>Nos. 0110 to 0450)<br>670 93912 Spacer—Fuel Tank<br>670A 211412 Spacer—Fuel Tank<br>673 93705 Screw—Receptacle<br>Retainer<br>674 93559 Screw—Tank to Bracket<br>675 93408 Washer—Starter<br>Housing Spring<br>676 221794 Deflector—Muffler<br><b>Note:</b> 221861 Deflector—<br>Muffler<br>Used on Type Nos.<br>0975, 1036, 1105,<br>1127, 1128, 1150,<br>1154, 1176, 1191,<br>1192, 1193, 1214,<br>1367, 1368, 1438,<br>1727.<br>222238 Deflector—<br>Muffler<br>Used on Type Nos.<br>2143, 2145, 2146,<br>2166.<br>393757 Deflector—<br>Exhaust<br>Used on Type Nos.<br>1621, 1622, 1915,<br>1945.<br>393760 Deflector—<br>Exhaust<br>Used on Type Nos.<br>0580, 1290, 1550,<br>1551, 1628, 1629,<br>1653, 1816, 1817,<br>1825, 1826, 1841,<br>1842, 1843, 1844,<br>1845, 1846, 1853,<br>1856, 1871, 1876,<br>1878, 1879, 1884,<br>1895, 1900, 1910. |
| 620A     | 390199   | Carburetor Control<br>Plate and Harness<br>Plug Bracket<br>Used on Type Nos.<br>0500 and up with<br>Electric Starters,<br>except Type Nos.<br>0737, 1108, 1289,<br>1360 which use Plate<br>No. 299974.   |          |          | 298652 Control Assy.—<br>Dial<br><b>Uses:</b><br>93475 Screw—Sem<br>(Mounting Control to<br>Blower Housing)<br><b>Includes:</b><br>93461 Screw—Swivel<br>230821 Pin—Swivel<br>260846 Link—Control<br>260867 Washer—<br>Swivel—Pin<br>Used on Type Nos.<br>0189, 0190, 0221,<br>0259, 0260, 0332,<br>0344, 0345, 0346,<br>0347, 0352, 0353,<br>0418.  |          |          |             |  |   |
|          |          | <b>Note:</b> 390200 Carburetor<br>Control Plate and<br>Harness Plug Bracket<br>Used on Type Nos.<br>0654, 0664, 0839,<br>0841, 1164, 1992,<br>2165.  |          |          |  |          |          |             |  |   |
| 620B     | 298823   | Plate Assembly—<br>Carburetor Control<br>Used on Type Nos.<br>0010 to 0450.  | 621      | 297472   | Switch—Stop  |          |          |             |  |   |
|          |          |  | 625      | 298775   | Tube—Fuel Intake   |          |          |             |  |   |
|          |          |  | 634      | 270167   | Washer—Throttle<br>Shaft (Felt)  |          |          |             |  |   |
|          |          |  | 635      | 66538    | Elbow—Spark Plug   |          |          |             |  |   |

| REF. NO.    | PART NO.      | DESCRIPTION   | REF. NO.   | PART NO.      | DESCRIPTION  | REF. NO.      | PART NO.  | DESCRIPTION  |               |  |
|-------------|---------------|---|------------|---------------|--|---------------|---|--|---------------|--|
|             |               | 1911, 1913, 1931, 1934, 1937, 1956, 1964, 1968, 1982, 1986, 2009, 2017, 2018, 2029, 2038, 2039, 2046, 2052, 2053, 2054, 2055, 2058, 2059, 2061, 2075, 2076, 2132, 2164, 2172, 2205.   |            |               | <b>392801</b> Starter Assy.—Vertical Pull<br>Used on Type Nos. 1703, 1710, 1850, 1857, 1929, 2150.   | <b>777</b>    | <b>390066</b>   | Spring—Vertical Pull Starter   |               |  |
|             |               | <b>392190</b> Arrester—Spark Used on Type Nos. 0090, 1751, 1865, 2034, 2043, 2163.  | <b>765</b> | <b>299947</b> | Housing—Vertical Pull Starter<br><b>Note:</b> <b>392138</b> Housing—Vertical Pull Starter Used on Type Nos. 0580, 1596, 1635, 1651, 1736, 1742, 1743, 1747, 1756, 1842, 1843, 1845, 1910, 1956, 2052, 2059.    | <b>778</b>    | <b>280021</b>   | Cover—Vertical Pull Starter Pulley   |               |  |
| <b>676A</b> | <b>222238</b> | Deflector—Muffler   |            |               | <b>392993</b> Housing—Vertical Pull Starter Used on Type Nos. 1703, 1710, 1850, 1857, 1929, 2150.  | <b>781</b>    | <b>280034</b>   | Cap—Electric Starter Pulley  |               |  |
| <b>677</b>  | <b>93606</b>  | Screw—Muffler Deflector and Harness Retainer<br>Used on <b>221794</b> and <b>221861</b> Muffler Deflectors.<br><b>Note:</b> <b>93705</b> Screw—Muffler Deflector<br>Used on <b>393760</b> Muffler Deflector and <b>392190</b> Spark Arrester. | <b>766</b> | <b>280022</b> | Pulley—Rope (Small)  | <b>782</b>    | <b>280038</b>   | Gear—Electric Starter Spur   |               |  |
| <b>677A</b> | <b>93705</b>  | Screw—Muffler Deflector   | <b>767</b> | <b>231048</b> | Pin—Small Rope Pulley (7/16" Long)<br><b>Note:</b> <b>93586</b> Pin—Small Rope Pulley (7/8" Long)  | <b>783</b>    | <b>230960</b>   | Gear—Electric Starter Pinion   |               |  |
| <b>679</b>  | <b>270382</b> | Washer—Choke Shaft (Felt)   | <b>768</b> | <b>299948</b> | Pulley and Gear Assembly—Starter<br><b>Note:</b> <b>392063</b> Pulley and Gear Assy.—Starter Used on Type Nos. 0580, 1596, 1635, 1651, 1736, 1742, 1743, 1747, 1752, 1842, 1843, 1845, 1910, 1956, 2052, 2059. | <b>784</b>    | <b>222085</b>   | Cover—Electric Starter Clutch Gear   |               |  |
| <b>680</b>  | <b>221839</b> | Washer—Choke Shaft  |            |               | <b>769</b>   | <b>66734</b>  | Rope—Vertical Pull Starter  | <b>785</b>   | <b>270610</b> | Gasket—Electric Starter Clutch Gear Cover  |
| <b>681</b>  | <b>395508</b> | Needle Valve Kit (Nylon Body)   |            |               | <b>771</b>   | <b>299961</b> | Clip—Vertical Pull Starter  | <b>786</b>   | <b>390102</b> | Wiring Harness—Starter Motor (Cylinder Head end)<br><b>Note:</b> <b>390129</b> Wiring Harness—Starter Motor Uses:<br><b>222091</b> Bracket—Harness Plug<br>Used on Type Nos. 0737, 1108, 1289, 1360, 1362.<br><b>390192</b> Wiring Harness—Starter Motor Used on Type Nos. 0796, 1335, 1453, 1605, 1825. |
| <b>681A</b> | <b>299060</b> | Needle Valve Kit (Threaded)   |            |               | <b>772</b>   | <b>93598</b>  | Screw—Sern  | <b>787</b>   | <b>222088</b> | Retainer—Harness Plug  |
| <b>720</b>  | <b>93474</b>  | Pin—Gear to Shaft   |            |               | <b>773</b>   | <b>390112</b> | Retainer Assy.—Spur Gear  | <b>789</b>   | <b>390207</b> | Wiring Harness Assy.—Mower (55" long with 32" long side Lead Wire— for Switch on Handle)   |
| <b>721</b>  | <b>221779</b> | Stop—Drive Shaft  |            |               | <b>774</b>   | <b>280121</b> | Insert—Starter Handle   | <b>Note:</b> <b>390372</b> Wiring Harness Assy.—Mower (12" long with 8" long side Lead Wire— for Switch on Deck) |               |  |
| <b>727</b>  | <b>211757</b> | Cover—Electric Starter  |            |               | <b>775</b>   | <b>280036</b> | Grip—Starter Rope<br><b>Note:</b> <b>280195</b> Grip—Starter Rope Used on Type Nos. 1703, 1710, 1850, 1857, 1929, 2150. |  |               |  |
| <b>741</b>  | <b>261533</b> | Gear—Timing   |            |               | <b>776</b>   | <b>222049</b> | Guide—Rope  |  |               |  |
| <b>742</b>  | <b>93525</b>  | Ring—Retaining  |            |               |  |               |   |  |               |  |
| <b>742A</b> | <b>93925</b>  | Ring—Retaining (Clutch Lever)   |            |               |  |               |   |  |               |  |
| <b>764</b>  | <b>391486</b> | Starter Assembly—Vertical Pull<br><b>Note:</b> <b>392064</b> Starter Assy.—Vertical Pull Used on Type Nos. 0580, 1596, 1635, 1651, 1736, 1742, 1743, 1747, 1756, 1842, 1843, 1845, 1910, 1956, 2052, 2059.                                    |            |               |  |               |   | <b>790</b>   | <b>390123</b> | Battery—Electric Starter (G. E. No. 41B001LD09)<br>Uses:<br><b>391999</b> Terminal Battery (G. E. No. 152B5421—121)  |

# 92900 to 92999

| REF. NO. | PART NO. | DESCRIPTION  | REF. NO. | PART NO. | DESCRIPTION                                 | REF. NO. | PART NO. | DESCRIPTION  |
|----------|----------|--|----------|----------|---|----------|----------|--|
|          |          | 392000 Charger Terminal (G. E. No. 251A6695—G1)  | 797      | 390201   | Nut Set                                     | 870      | 211291   | Seat—Exhaust Valve (Standard)                                |
|          |          | <b>Note:</b> If this Battery does not fit, refer to Equipment Manufacturer.  | 798      | 394304   | Key Set—Starter Switch                      |          |          | <b>Note:</b> For installation and options see Repair Manual. |
| 791      | 390197   | Charger—Battery (110 volt)   | 799      | 211773   | Housing—Starter Switch                      | 871      | 63709    | Guide—Exhaust Valve  |
|          |          | <b>Note:</b> 390733 Charger—Battery (220 volt—50 cycle)  | 800      | 222212   | Retainer—Switch Receptacle                  | 883      | 270774   | Gasket—Exhaust Pipe  |
| 792      | 390137   | Bracket Assembly—Battery Mounting  | 801      | 390202   | Motor Output End Cover and Mounting Bracket | 906      | 261650   | Spring—Torsion   |
| 793      | 261049   | Clip—Wiring Harness  | 802      | 390203   | Cap Assembly—End                            | 907      | 394871   | Sleeve Assy.—Clutch  |
| 795      | 390122   | Switch Assembly—Starter—Ignition   | 803      | 391668   | Housing—Starter (2-9/16" long)              | 908      | 231220   | Gear—Worm  |
|          |          | <b>Note:</b> 390128 Switch Assy.—Starter—Ignition (Less Housing) Used on Type Nos. 0698, 0750, 0751, 0798, 0799, 0830, 0835, 0840, 0841, 0880, 0890, 0895, 0896, 0993, 1022, 1031, 1044, 1047, 1071, 1086, 1100, 1132, 1236, 1298, 1308, 1354. |          | 390205   | Housing—Starter (2-5/16" long)              |          |          | <b>Note:</b> 231219 Gear—Worm Used on Type Nos. 2197, 2203.  |
|          |          |  | 837      | 222241   | Spacer—Muffler Mtg.                         | 909      | 271417   | Washer—Thrust  |
|          |          |  | 842      | 270920   | Seal—Oil Filler Cap                         | 909A     | 271418   | Washer—Thrust  |
|          |          |  | 847      | 392055   | Tube Assy.—Oil Fill                         | 909B     | 271312   | Washer—Thrust  |
|          |          |  | 851      | 221798   | Terminal—Ignition Cable                     | 910      | 394051   | Lever Assy.—Clutch   |
|          |          |  | 855      | 211982   | Elbow—Air Cleaner                           | 911      | 223009   | Control Bracket—Clutch                                       |
|          |          |  | 869      | 210879   | Seat—Intake Valve (Standard)                | 914      | 93970    | Screw—Bracket Mtg. Screw                                     |