

93200 to 93299

Illustrated Parts List

Model Series

93200 to 93299

TYPE NUMBERS
0030, 0040, 0042,
0050, 0104, 0109,
0540.

TO FIND
THE CORRECT NUMBER OF THE PART YOU NEED:
FOLLOW THE INSTRUCTIONS BELOW

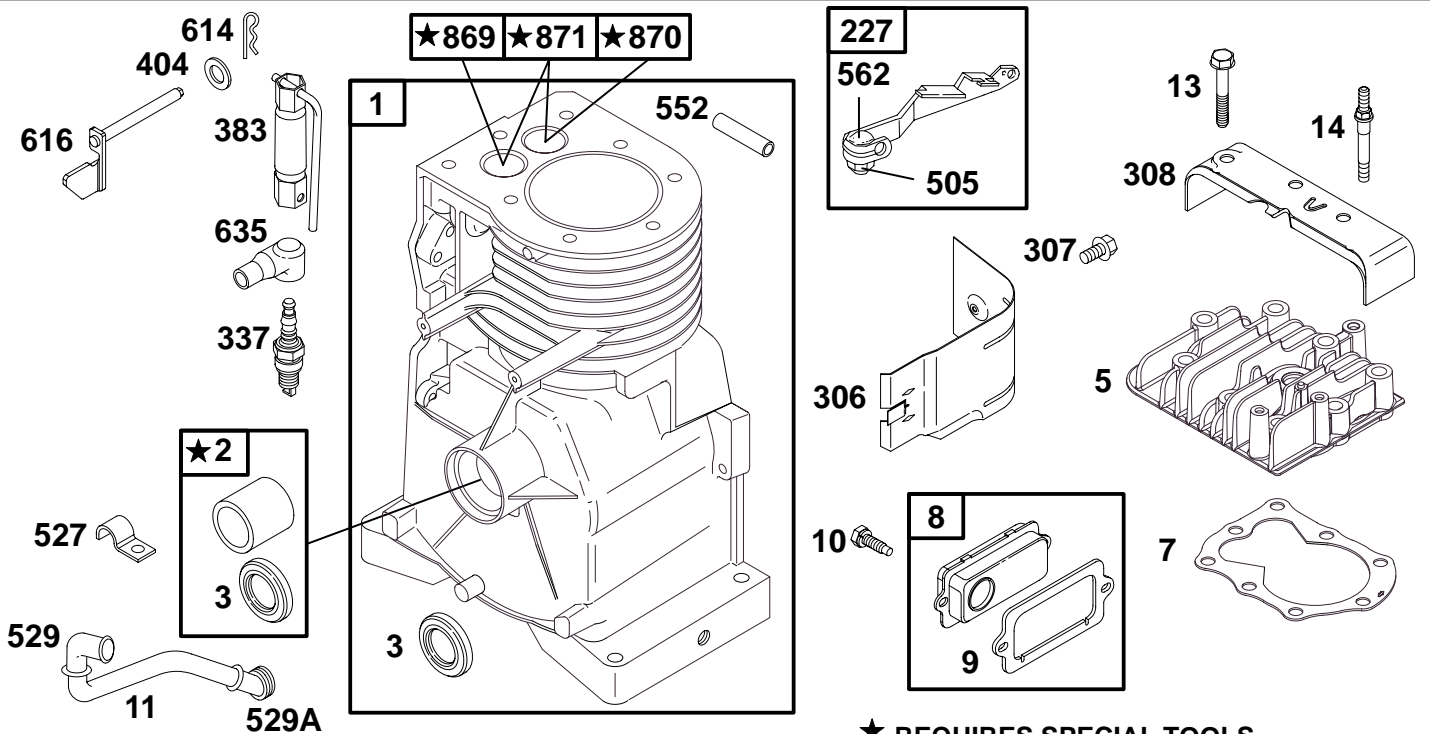
- A. Refer to Engine Model, Type and Code Number that is stamped on the blower housing of engine. Engine type numbers such as 0123 01 are listed only as 0123 in most instances. The two digits (01 or 02, etc.) to the right of the space may be required for more accurate parts identification in some instances. Select the Illustrated Parts List covering the correct Model Series and Type Number.
- B. Refer to the Illustrations and compare the original part with Illustration. The number next to the illustration is the Reference Number. Assemblies include all parts shown in frames. All parts shown in assembly frames having individual reference numbers can be purchased separately.
- C. After the Reference Number has been identified, refer to the Numerical text, where Reference and Primary Part Number are listed. **THE PRIMARY PART IS USED ON ALL TYPE NUMBERS EXCEPT THOSE TYPE NUMBERS UNDER "NOTE."**
- D. If a "Note" appears below the Primary Part Number, it means that this part differs from the Primary Part for certain types. If your Type number is listed under "Note," order the part referred to at the "Note."
- E. If your Engine Type Number does not appear after any part number listed under "Note," use the Primary Part Number.
- F. For Engine Type Numbers not covered by this book, check other Parts Lists having the same engine model or contact your source of supply.

PRINTED IN U.S.A.



COPYRIGHT by BRIGGS & STRATTON CORPORATION
All rights reserved. No part of this material may be reproduced or transmitted, in any form or by any means, electronic or mechanical, including photocopying, recording or by any information storage and retrieval system, without permission in writing from Briggs & Stratton Corporation.

93200 to 93299



1058 OWNER'S MANUAL

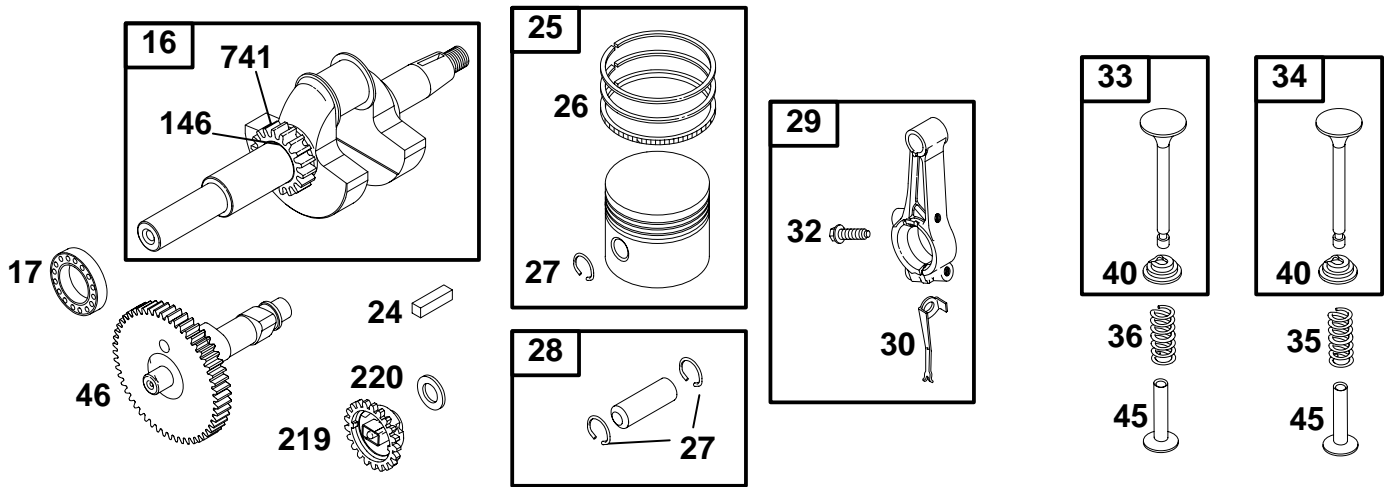
15 15A

★ REQUIRES SPECIAL TOOLS TO INSTALL. SEE REPAIR INSTRUCTION MANUAL.

REF. NO.	PART NO.	DESCRIPTION	REF. NO.	PART NO.	DESCRIPTION	REF. NO.	PART NO.	DESCRIPTION
1	498203	Cylinder Assembly	15A	691682	Oil Drain Plug Used on Type No(s). 0040, 0042, 0540.	529	★692189	Grommet
2	399269	Bushing/Seal Kit (Magneto Side)	227	692946	Governor Control Lever	529A	★692187	Grommet
3	★299819	Oil Seal (Magneto Side)	306	690461	Cylinder Shield	552	690508	Governor Crank Bushing
5	690386	Cylinder Head	307	691627	Screw (Cylinder Shield)	562	690306	Bolt (Governor Control Lever)
7	★∅692288	Cylinder Head Gasket	308	690462	Cylinder Head Cover	614	691620	Cotter Pin
8	495774	Breather Assembly	337	492167	Spark Plug	616	692016	Governor Crank
9	★∅27549	Breather Gasket	Note			635	66538	Spark Plug Boot
10	691666	Screw (Breather Assembly)	802592	Spark Plug (Resistor Type)	869	691701	Valve Seat (Intake)	
11	692528	Breather Tube	383	89838	Spark Plug Wrench	870	691702	Valve Seat (Exhaust)
13	691697	Screw (Cylinder Head)	404	691691	Washer (Governor Crank)	871	262001	Guide Bushing (Exhaust Valve)
14	690361	Stud (Cylinder Head) Used on Type No(s). 0030.	505	231082	Nut (Governor Control Lever)	Note		
15	691686	Oil Drain Plug	527	691741	Tube Clamp	63709	Guide Bushing (Intake Valve)	
						1058	272643	Owner's Manual

★ Included in Engine Gasket Set—Ref. No. 358.
● Included in Carburetor Overhaul Kit—Ref. No. 121.

∅ Included in Valve Overhaul Gasket Set—Ref. No. 1095.



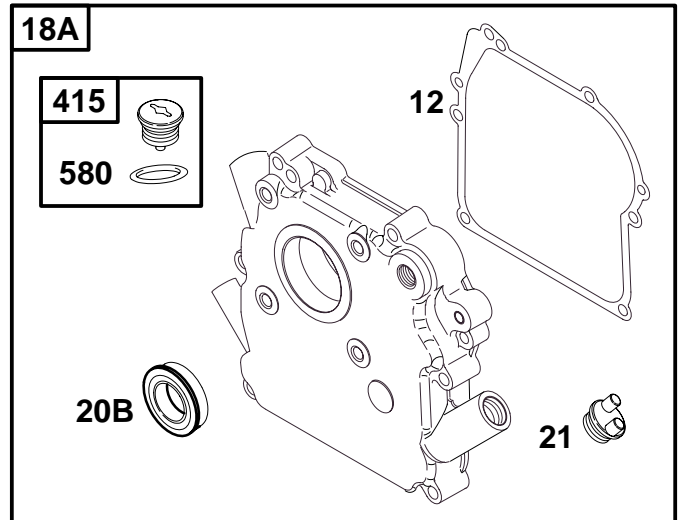
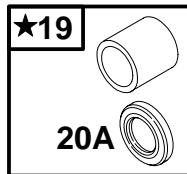
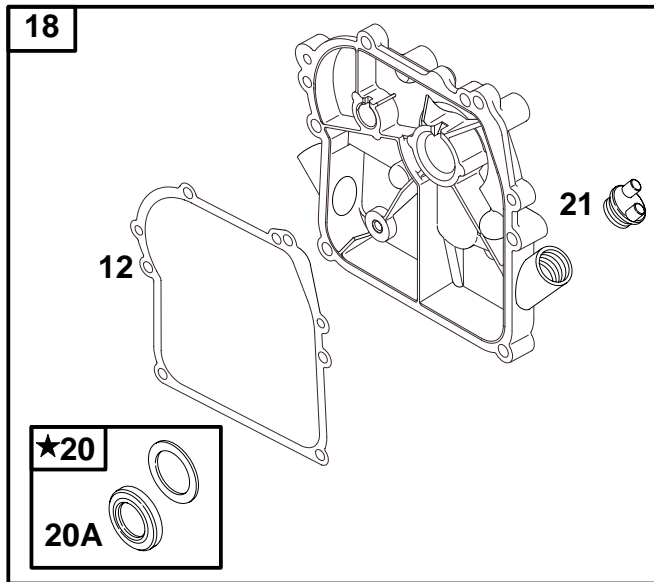
REF. NO.	PART NO.	DESCRIPTION	REF. NO.	PART NO.	DESCRIPTION	REF. NO.	PART NO.	DESCRIPTION
16	399006	Crankshaft Note — 492880 Crankshaft Used on Type No(s). 0050. 692145 Crankshaft Used on Type No(s). 0540.						
17	690824	Ball Bearing Used on Type No(s). 0040, 0042, 0540.						
24	222698	Flywheel Key						
25	498668	Piston Assembly (Standard) (Used After Code Date 96012800). Note — 298904 Piston Assy. (Standard) (Used Before Code Date 96012900). 498669 Piston Assy. (.010" O.S.) (Used After Code Date 96012800). 298905 Piston Assy. (.010" O.S.) (Used Before Code Date 96012900). 498670 Piston Assy. (.020" O.S.) (Used After Code Date 96012800). 298906 Piston Assy. (.020" O.S.) (Used Before Code Date 96012900).						
			26	498680	Ring Set (Standard) (Used After Code Date 96012800). Note — 298982 Ring Set (Standard) (Used Before Code Date 96012900). 498681 Ring Set (.010" O.S.) (Used After Code Date 96012800). 298983 Ring Set (.010" O.S.) (Used Before Code Date 96012900). 498682 Ring Set (.020" O.S.) (Used After Code Date 96012800). 298984 Ring Set (.020" O.S.) (Used Before Code Date 96012900).			
						27	691588	Piston Pin Lock
						28	298909	Piston Pin (Standard) 298908 Piston Pin (.005" O.S.)
						29	294367	Connecting Rod (Standard) 296079 Connecting Rod (.020" Undersize)
						30	691719	Connecting Rod Dipper
						32	691664	Screw (Connecting Rod)
						33	296676	Exhaust Valve
						34	296677	Intake Valve
						35	690520	Valve Spring (Intake)
						36	690520	Valve Spring (Exhaust)
						40	692194	Valve Retainer
						45	691762	Valve Tappet
						46	691998	Camshaft
						146	230978	Timing Key
						219	496786	Governor Gear
						220	691724	Washer (Governor Gear)
						741	691805	Timing Gear

★ Included in Engine Gasket Set—Ref. No. 358.

∅ Included in Valve Overhaul Gasket Set—Ref. No. 1095.

● Included in Carburetor Overhaul Kit—Ref. No. 121.

93200 to 93299

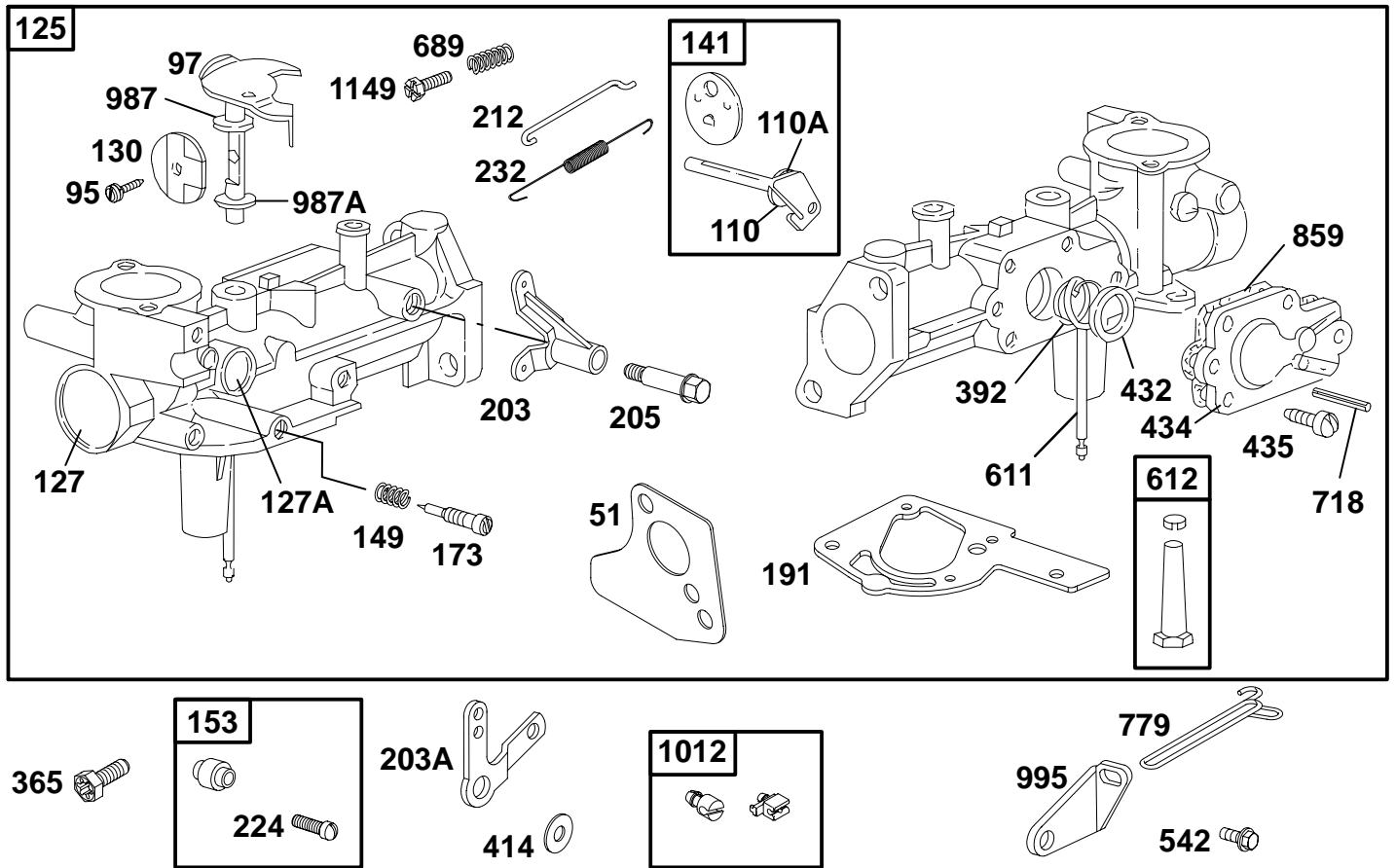


★ **REQUIRES SPECIAL TOOLS TO INSTALL. SEE REPAIR INSTRUCTION MANUAL.**

REF. NO.	PART NO.	DESCRIPTION	REF. NO.	PART NO.	DESCRIPTION	REF. NO.	PART NO.	DESCRIPTION
12	★692218	Crankcase Gasket (.015" Thick, Std.)	19	399269	Bushing/Seal Kit (PTO Side)	22	691662	Screw (Crankcase Cover)
	★270895	Crankcase Gasket (.005" Thick)	20	691356	Oil Seal (PTO Side)	———— Note ————		
	★270896	Crankcase Gasket (.009" Thick)	20A	★299819	Oil Seal (PTO Side)	691127		Screw (Crankcase Cover)
18	496903	Crankcase Cover (Plain Bearing)	20B	692020	Oil Seal (PTO Side)	Used in Positions #1 and 6) Used on Type No(s). 0030, 0050, 0104, 0109.		
18A	497502	Crankcase Cover (Ball Bearing) Used on Type No(s). 0040, 0042, 0540.	21	281658	Oil Fill Cap			
						415	691363	Plug
						580	691876	O-Ring Seal (Oil Fill Cap)

- ★ Included in Engine Gasket Set—Ref. No. 358.
- Included in Carburetor Overhaul Kit—Ref. No. 121.

∅ Included in Valve Overhaul Gasket Set—Ref. No. 1095.



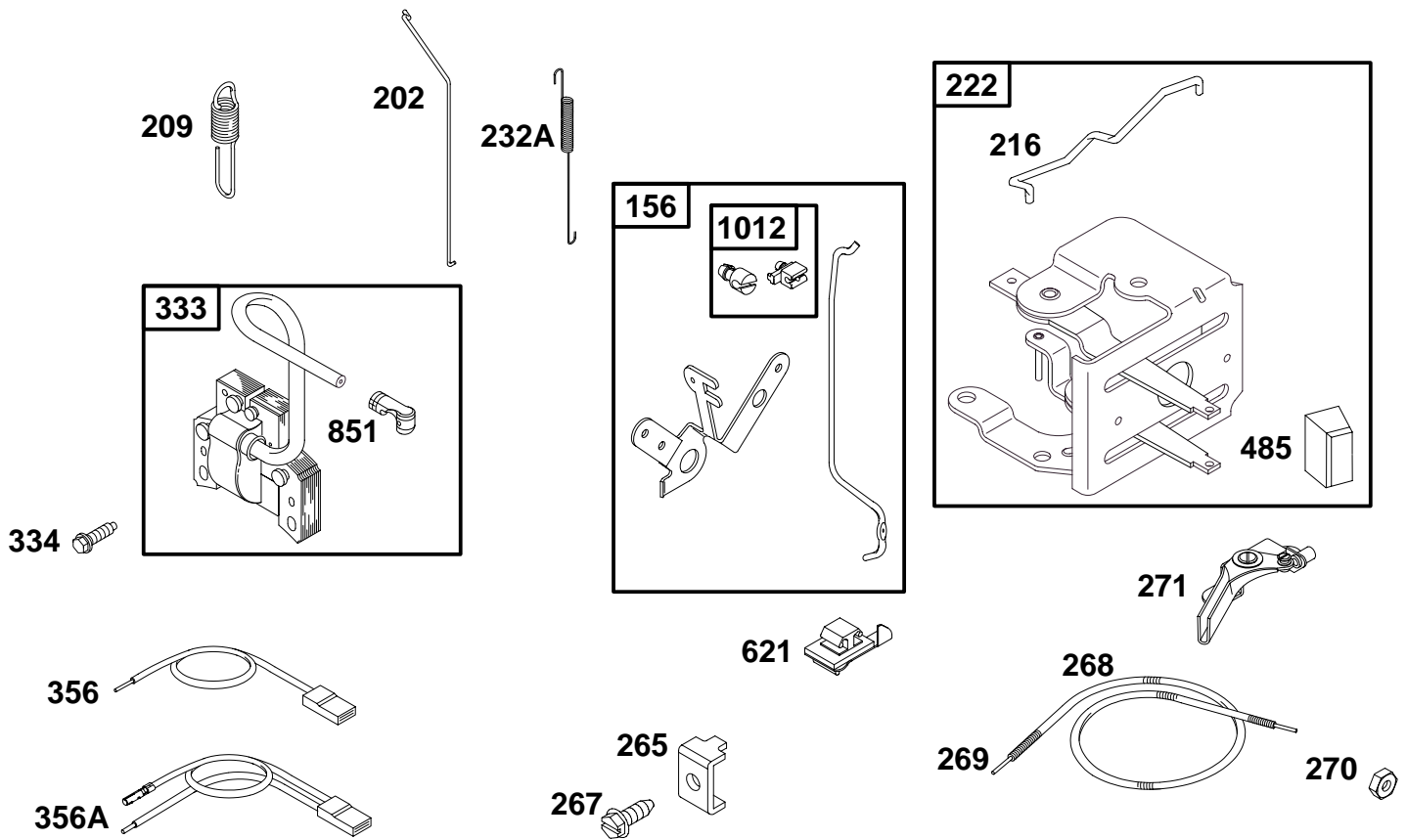
REF. NO.	PART NO.	DESCRIPTION	REF. NO.	PART NO.	DESCRIPTION	REF. NO.	PART NO.	DESCRIPTION
51★	273113	Intake Gasket	191	★692241	Fuel Tank Gasket	435	691619	Screw (Diaphragm Cover)
95	691437	Screw (Throttle Valve)	203	691906	Bell Crank	542	691683	Screw (Link Bracket)
97	692325	Throttle Shaft	203A	691744	Bell Crank	611	691770	Fuel Pipe
110	691869	Washer (Choke Shaft)	205	691776	Screw (Bell Crank)	612	391813	Pick-Up Tube
110A	690401	Washer (Choke Shaft)	212	692897	Throttle Link	689	691783	Friction Spring
125	498202	Carburetor	224	690320	Screw (Collar/Screw Kit)	718	690296	Locating Pin
127	691718	Welch Plug	232	692898	Governor Link Spring	779	691828	Bell Crank Link
127A	691742	Welch Plug	365	690953	Screw (Carburetor)	859	★272538	Pump Diaphragm
130	691743	Throttle Valve	392	691823	Pump Diaphragm Spring	987	692279	Throttle Shaft Seal
141	497230	Choke Shaft Kit	414	691721	Washer (Bell Crank)	987A	692001	Throttle Shaft Seal
149	●691592	Needle Valve Spring	432	690766	Cap Spring	995	691756	Link Bracket
153	490589	Collar/Screw Kit	434	691713	Diaphragm Cover	1012	490507	Link Retainer
173	●691777	Idle Mixture Valve				1149	691624	Screw (Idle Speed Adjusting)

★ Included in Engine Gasket Set—Ref. No. 358.

∅ Included in Valve Overhaul Gasket Set—Ref. No. 1095.

● Included in Carburetor Overhaul Kit—Ref. No. 121.

93200 to 93299

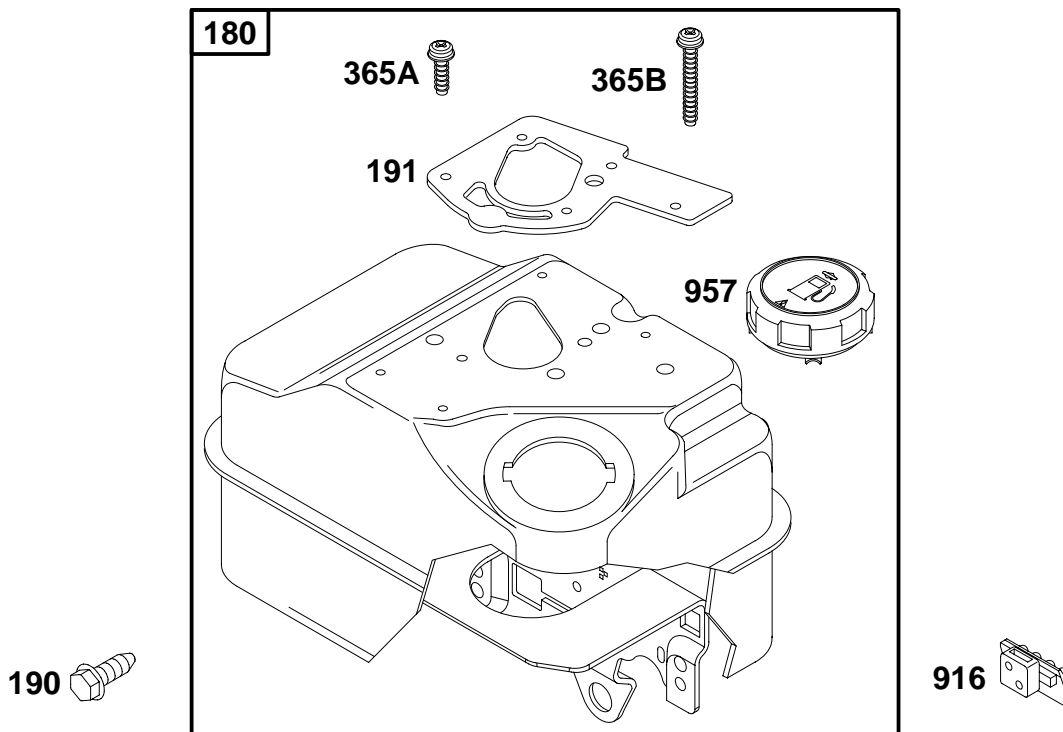


REF. NO.	PART NO.	DESCRIPTION	REF. NO.	PART NO.	DESCRIPTION	REF. NO.	PART NO.	DESCRIPTION
156	492905	Speed Adjuster Lever	232A	691819	Governor Link Spring	271	691028	Control Lever
202	692892	Mechanical Governor Link	265	691024	Casing Clamp	333	496914	Magneto Armature
209	263127	Governor Spring	267	690804	Screw	334	691061	Screw (Magneto Armature)
		Note	268	691025	Control Wire Casing (Cut to Required Length)	356	692390	Stop Wire
		692899 Governor Spring	269	691026	Control Wire (Cut to Required Length)	356A	691418	Stop Wire Used on Type No(s). 0030, 0050.
		Used on Type No(s). 0040, 0042, 0109, 0540.	270	691027	Nut (Control Wire Casing)	485	692295	Control Knob
216	691824	Choke Link				621	692310	Stop Switch
222	490649	Control Bracket				851	493880	Spark Plug Terminal
						1012	490507	Link Retainer

★ Included in Engine Gasket Set—Ref. No. 358.

∅ Included in Valve Overhaul Gasket Set—Ref. No. 1095.

● Included in Carburetor Overhaul Kit—Ref. No. 121.



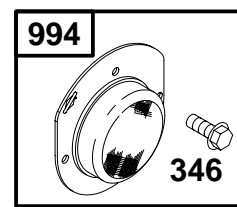
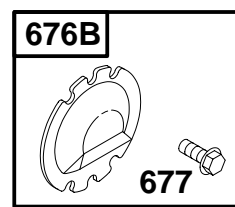
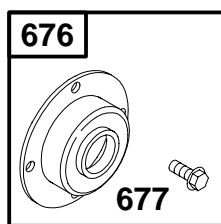
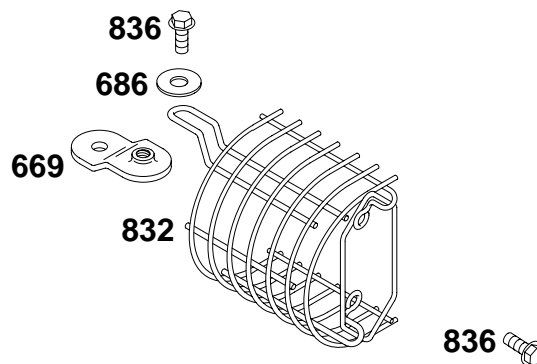
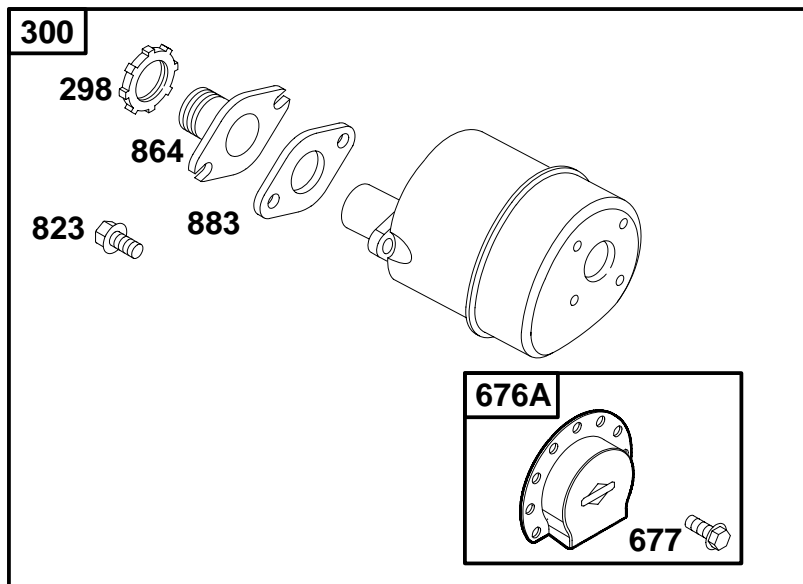
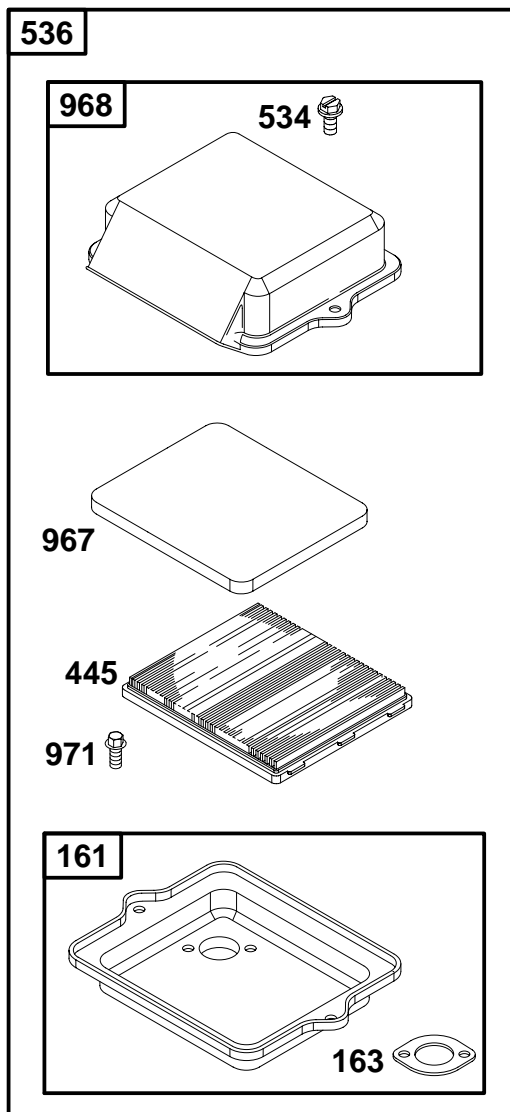
REF. NO.	PART NO.	DESCRIPTION	REF. NO.	PART NO.	DESCRIPTION	REF. NO.	PART NO.	DESCRIPTION
180	495388	Fuel Tank (Metal)	365A	692200	Screw (Carburetor) (3/4" Long)	916	691900	Governor Gear Rack
190	691685	Screw (Fuel Tank)	365B	691687	Screw (Carburetor) (1 3/4" Long)	957	494559	Fuel Tank Cap (Plastic)
191	★●692241	Fuel Tank Gasket						

★ Included in Engine Gasket Set—Ref. No. 358.

∅ Included in Valve Overhaul Gasket Set—Ref. No. 1095.

● Included in Carburetor Overhaul Kit—Ref. No. 121.

93200 to 93299

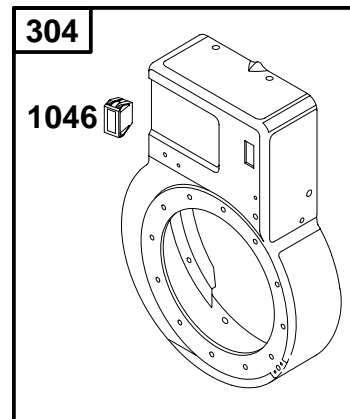
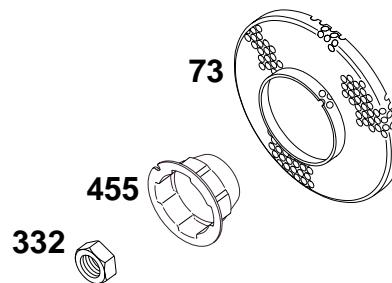
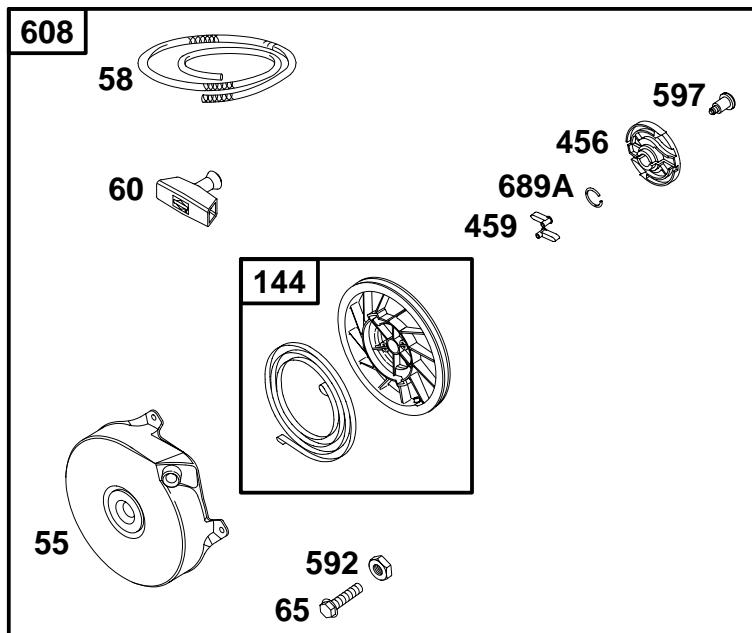


REF. NO.	PART NO.	DESCRIPTION	REF. NO.	PART NO.	DESCRIPTION	REF. NO.	PART NO.	DESCRIPTION
161	691990	Air Cleaner Base (Metal)	669	691194	Muffler Guard Bracket	832	690789	Muffler Guard
163	★Ø271935	Air Cleaner Gasket	676	397931	Muffler Deflector	836	690367	Screw (Muffler Guard)
298	691720	Muffler/Elbow Locknut	676A	393760	Muffler Deflector	864	690776	Muffler Adapter
300	493288	Exhaust Muffler	676B	393756	Muffler Deflector	883	★691314	Exhaust Gasket
346	690661	Screw (Spark Arrester)	677	690661	Screw (Muffler Deflector)	967	491435	Pre-Cleaner Filter
445	491588	Air Cleaner Cartridge Filter	686	691186	Washer (Muffler Guard Bracket)	968	692321	Air Cleaner Cover
534	691974	Screw (Air Cleaner)	823	692336	Screw (Muffler Adapter)	971	690854	Screw (Air Cleaner Base)
536	494279	Air Cleaner				994	398067	Spark Arrester

★ Included in Engine Gasket Set—Ref. No. 358.

Ø Included in Valve Overhaul Gasket Set—Ref. No. 1095.

● Included in Carburetor Overhaul Kit—Ref. No. 121.



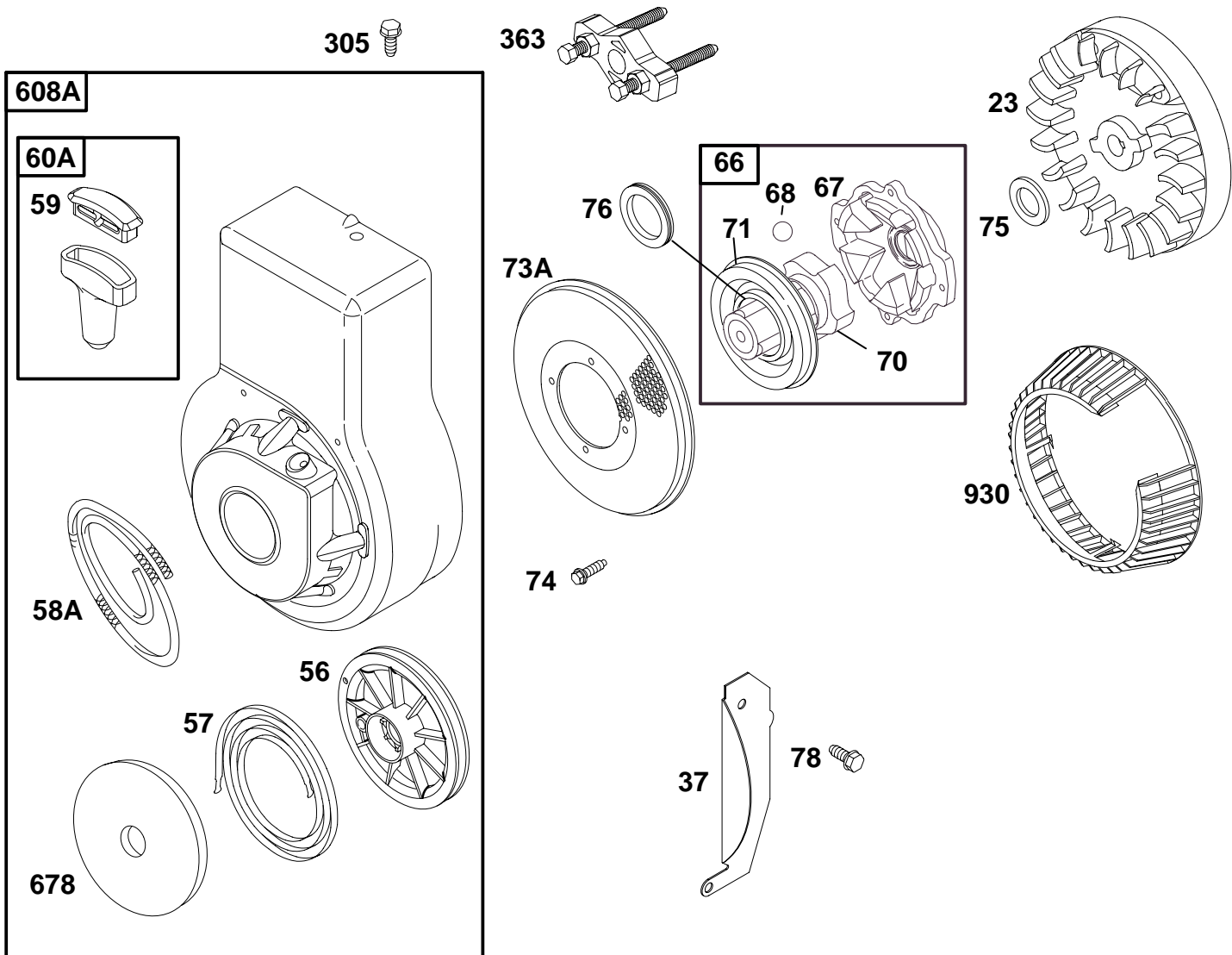
REF. NO.	PART NO.	DESCRIPTION	REF. NO.	PART NO.	DESCRIPTION	REF. NO.	PART NO.	DESCRIPTION
55	692144	Rewind Starter Housing	144	499901	Pulley/Spring Assembly	459	281505	Ratchet Pawl
58	280399	Starter Rope	304	692622	Blower Housing	592	690800	Nut (Rewind Starter)
60	691915	Starter Rope Grip	305	692198	Screw (Blower Housing)	597	691696	Screw (Pawl Friction Plate)
65	690837	Screw (Rewind Starter)	332	690662	Nut (Flywheel)	608	499706	Rewind Starter
73	691235	Rotating Screen	455	691236	Flywheel Cup	689A	691855	Friction Spring
			456	692299	Pawl Friction Plate	1046	691337	Blower Housing Plug

★ Included in Engine Gasket Set—Ref. No. 358.

∅ Included in Valve Overhaul Gasket Set—Ref. No. 1095.

● Included in Carburetor Overhaul Kit—Ref. No. 121.

93200 to 93299

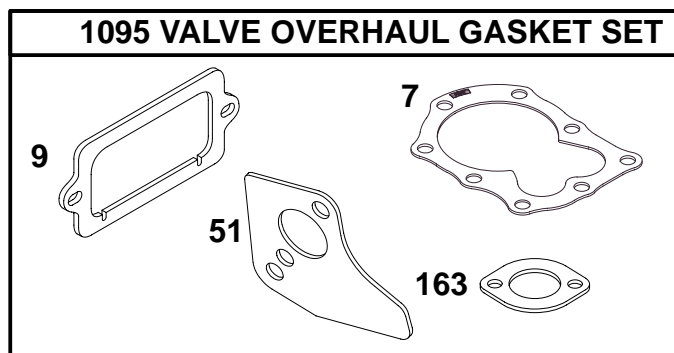
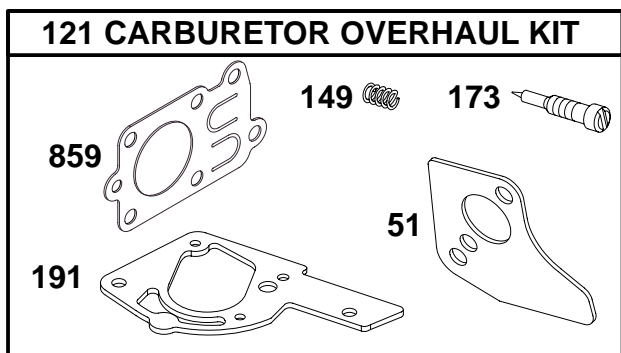
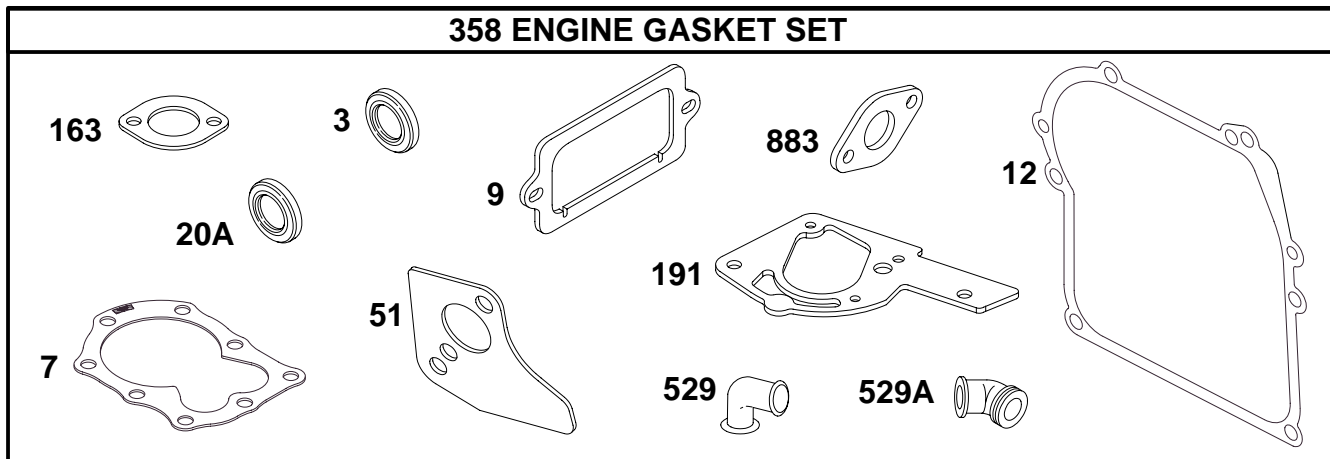


REF. NO.	PART NO.	DESCRIPTION	REF. NO.	PART NO.	DESCRIPTION	REF. NO.	PART NO.	DESCRIPTION
23	690843	Flywheel	68	691604	Clutch Ball	78	690364	Screw (Flywheel Guard)
37	690463	Flywheel Guard	70	691945	Clutch Ratchet	305	692198	Screw (Blower Housing)
56	281336	Starter Pulley	71	691359	Ratchet Cover	363	19069	Flywheel Puller
57	490179	Rewind Starter Spring	73A	691725	Rotating Screen	608A	498031	Rewind Starter (10 o'clock Position)
58A	280406	Starter Rope (Cut to Required Length)	74	691627	Screw (Rotating Screen)	678	490817	Rewind Spacer
59	396892	Grip Insert	75	691736	Washer (Flywheel)	930	691330	Rewind Guard Used on Type No(s). 0109.
60A	393152	Starter Rope Grip	76	68238	Ratchet Seal			
66	399671	Starter Clutch						
67	394897	Clutch Housing						

★ Included in Engine Gasket Set—Ref. No. 358.

∅ Included in Valve Overhaul Gasket Set—Ref. No. 1095.

● Included in Carburetor Overhaul Kit—Ref. No. 121.



REF. NO.	PART NO.	DESCRIPTION	REF. NO.	PART NO.	DESCRIPTION	REF. NO.	PART NO.	DESCRIPTION
3	★299819	Oil Seal (Magneto Side)	20A	★299819	Oil Seal (PTO Side)	358	495605	Engine Gasket Set
7	★Ø692288	Cylinder Head Gasket	51	★●Ø273113	Intake Gasket	529	★692189	Grommet
9	★Ø27549	Breather Gasket	121	495606	Carburetor Overhaul Kit	529A	★692187	Grommet
12	★692218	Crankcase Gasket (.015" Thick, Std.)	149	●691592	Needle Valve Spring	859	●272538	Pump Diaphragm
	Note		163	★Ø271935	Air Cleaner Gasket	883	★691314	Exhaust Gasket
		★270895 Crankcase Gasket (.005" Thick)	173	●691777	Idle Mixture Valve	1095	498694	Valve Overhaul Gasket Set
		★270896 Crankcase Gasket (.009" Thick)	191	★●692241	Fuel Tank Gasket			

★ Included in Engine Gasket Set—Ref. No. 358.

Ø Included in Valve Overhaul Gasket Set—Ref. No. 1095.

● Included in Carburetor Overhaul Kit—Ref. No. 121.