

93300

Illustrated Parts List

Model Series

93300

TYPE NUMBERS
0016 through 0110.

TABLE OF CONTENTS

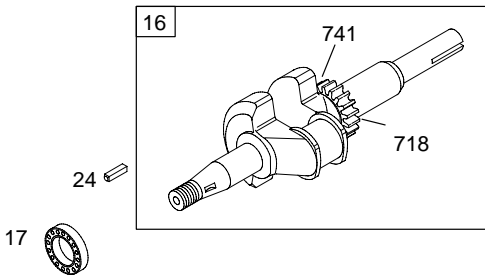
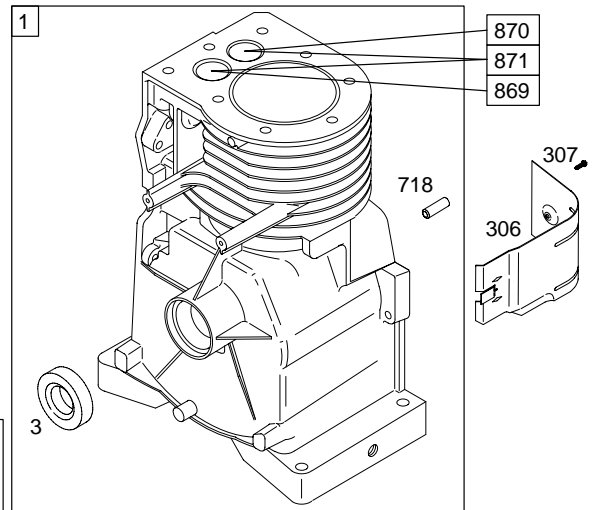
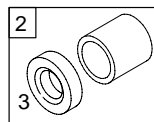
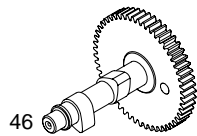
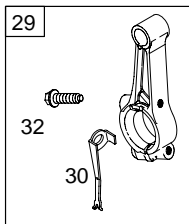
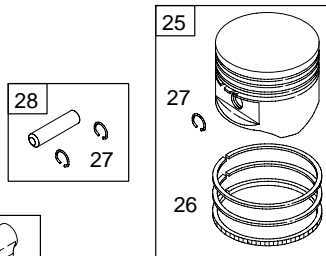
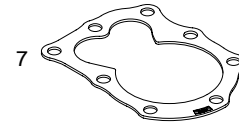
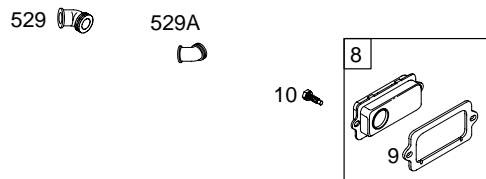
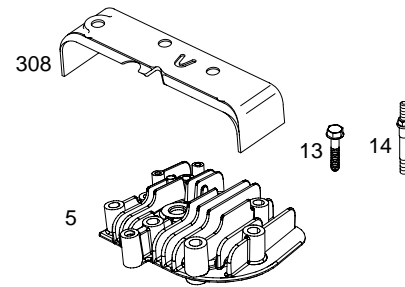
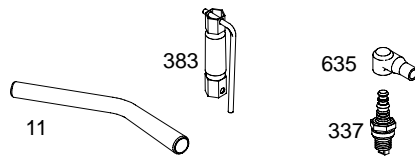
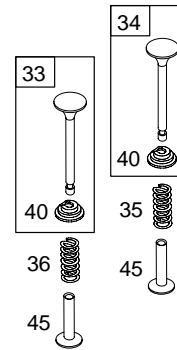
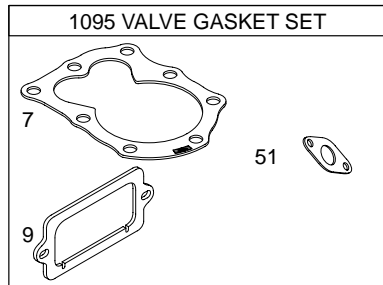
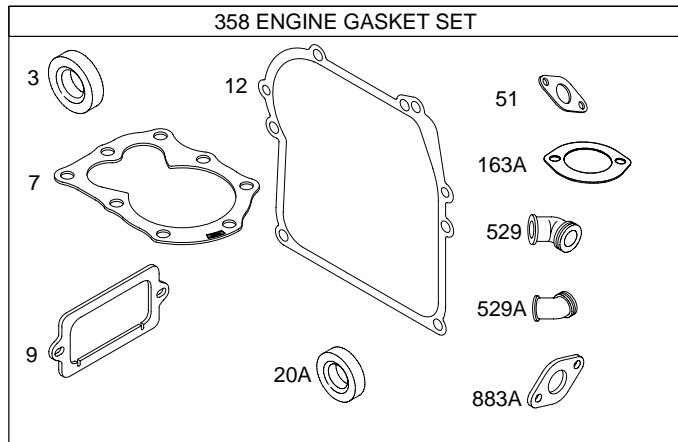
| | |
|---------------------------------|---|
| Air Cleaner | 6 |
| Blower Housing | 8 |
| Cam | 2 |
| Carburetor | 4 |
| Controls | 5 |
| Crankcase Cover/Sump | 3 |
| Crankshaft | 2 |
| Cylinder | 2 |
| Flywheel | 7 |
| Fuel Tank | 4 |
| Governor Spring | 5 |
| Head | 2 |
| Ignition | 5 |
| Kits/Gaskets – Carburetor | 4 |
| Kits/Gaskets – Engine | 2 |
| Kits/Gaskets – Valves | 2 |
| Muffler | 6 |
| Piston Group | 2 |
| Rewind Starter | 7 |
| Rewind Starter | 8 |
| Valves | 2 |

PRINTED IN U.S.A.



COPYRIGHT by BRIGGS & STRATTON CORPORATION
All rights reserved. No part of this material may be reproduced or transmitted, in any form or by any means, electronic or mechanical, including photocopying, recording or by any information storage and retrieval system, without permission in writing from Briggs & Stratton Corporation.

93300



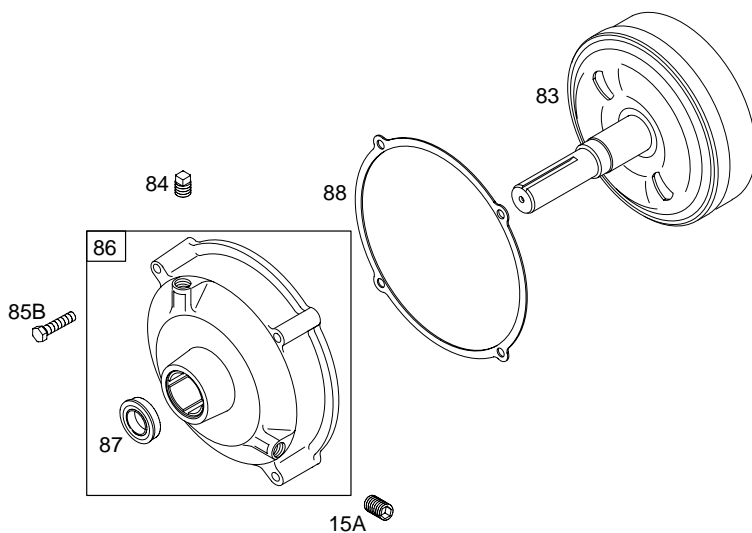
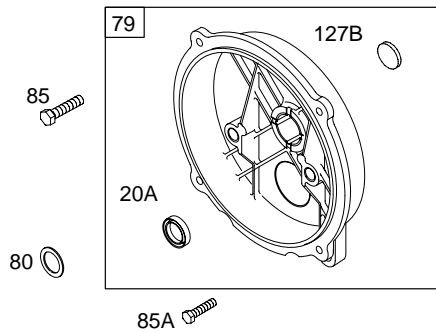
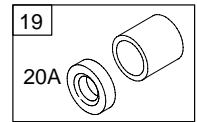
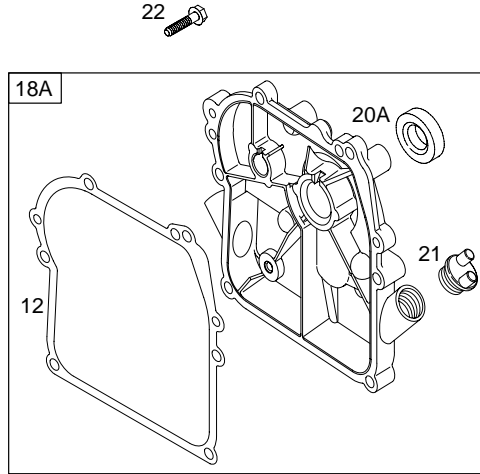
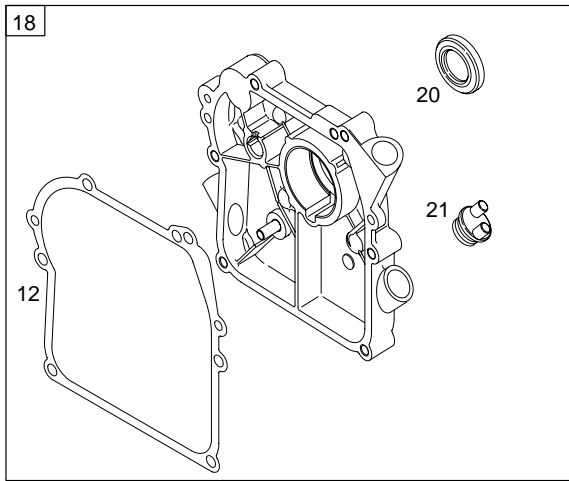
15 15A

1019 LABEL KIT

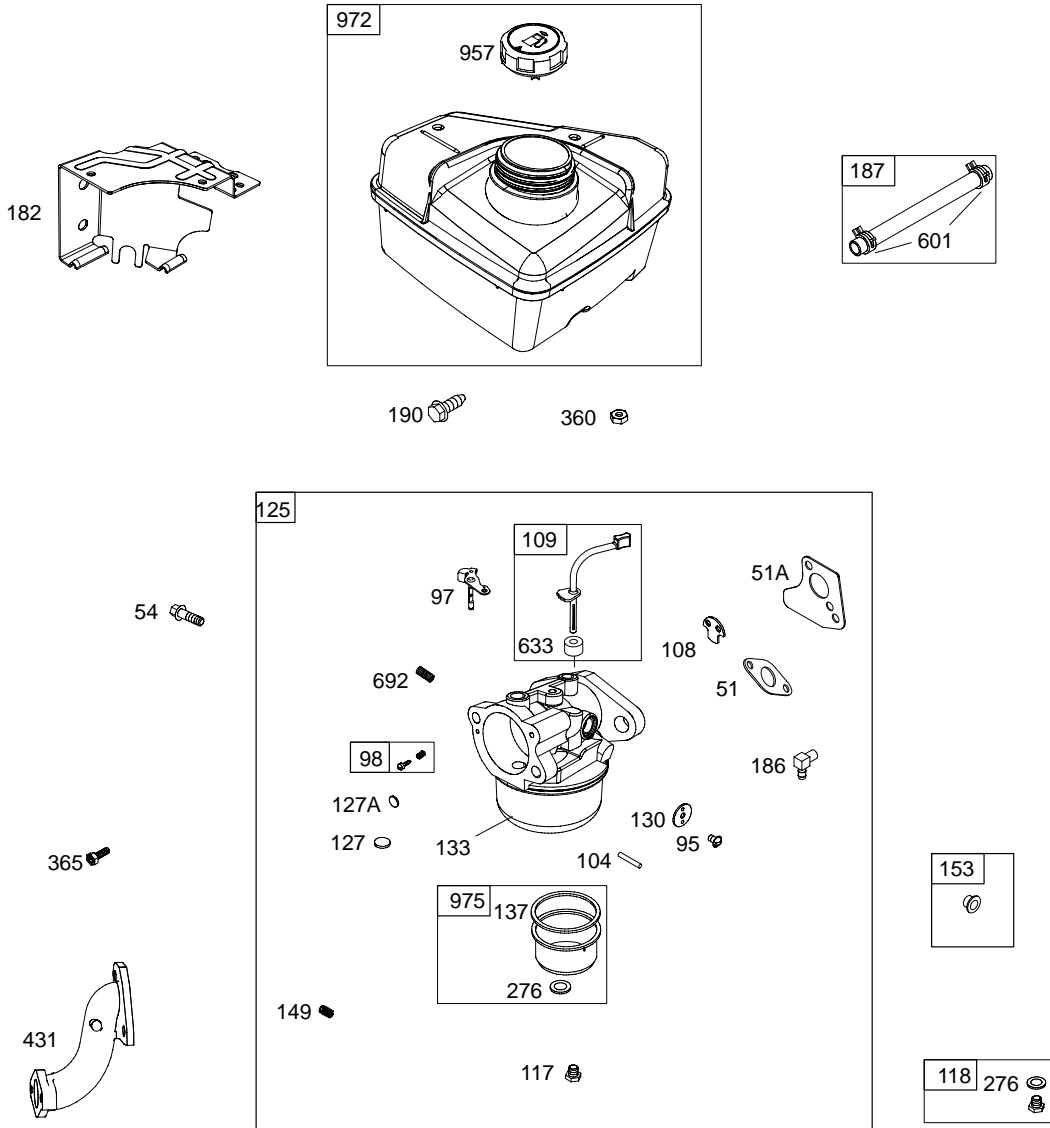
1058 OPERATOR'S MANUAL

1330 REPAIR MANUAL

Illustrations cover a range of engines. Parts shown without corresponding text may not be used on your specific engine.
 5827-2 Assemblies include all parts shown in frames. 04/13/2004



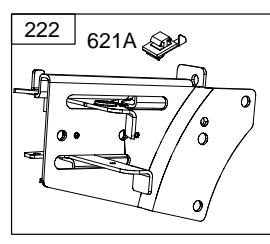
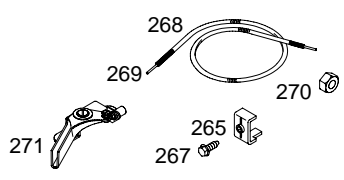
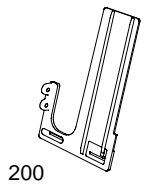
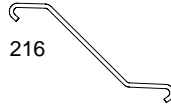
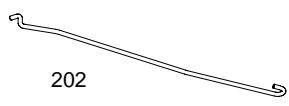
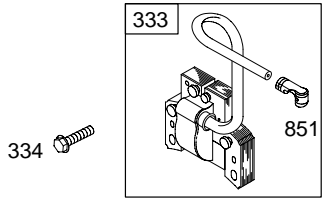
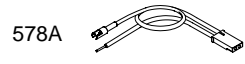
Illustrations cover a range of engines. Parts shown without corresponding text may not be used on your specific engine.
 5827-3 Assemblies include all parts shown in frames. 04/13/2004

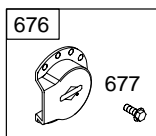
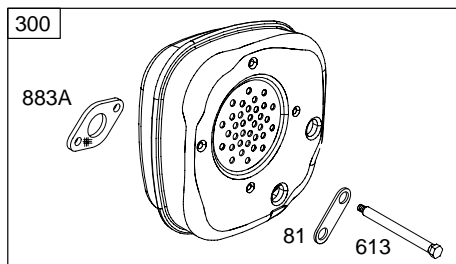
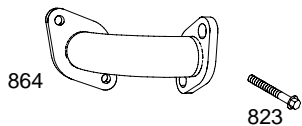
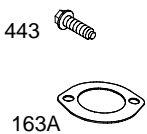
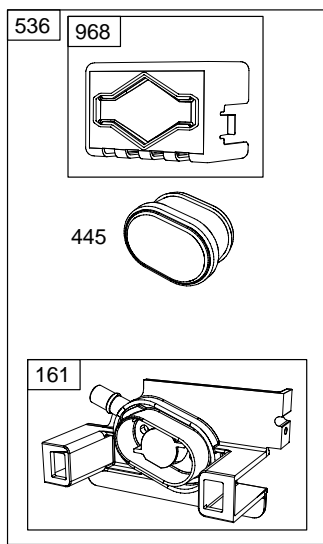


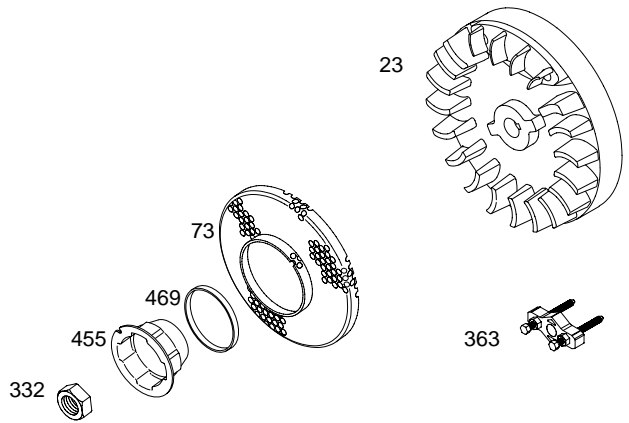
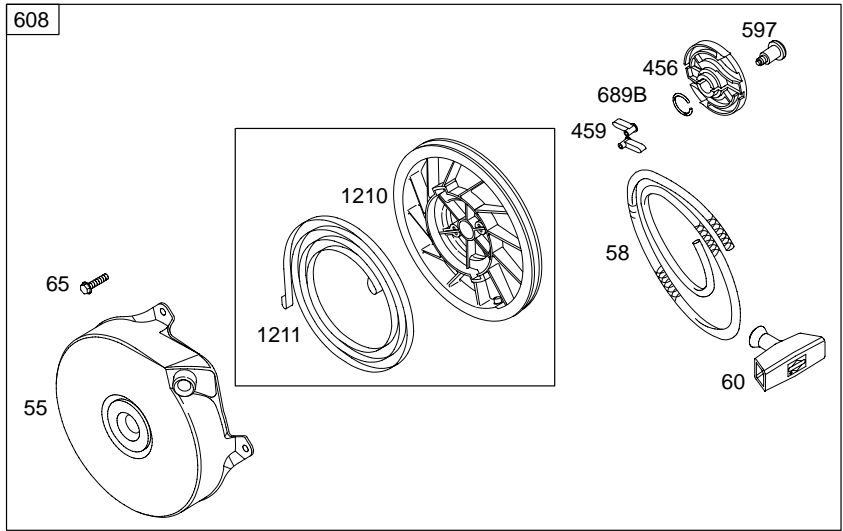
| 977 CARBURETOR GASKET SET | | |
|---------------------------|-----|-----|
| 137 | 276 | 633 |

| 121 Carburetor Overhaul Kit | |
|-----------------------------|-----|
| 51 | 134 |
| 51A | 137 |
| 104 | 149 |
| 127 | 276 |
| 127A | 633 |

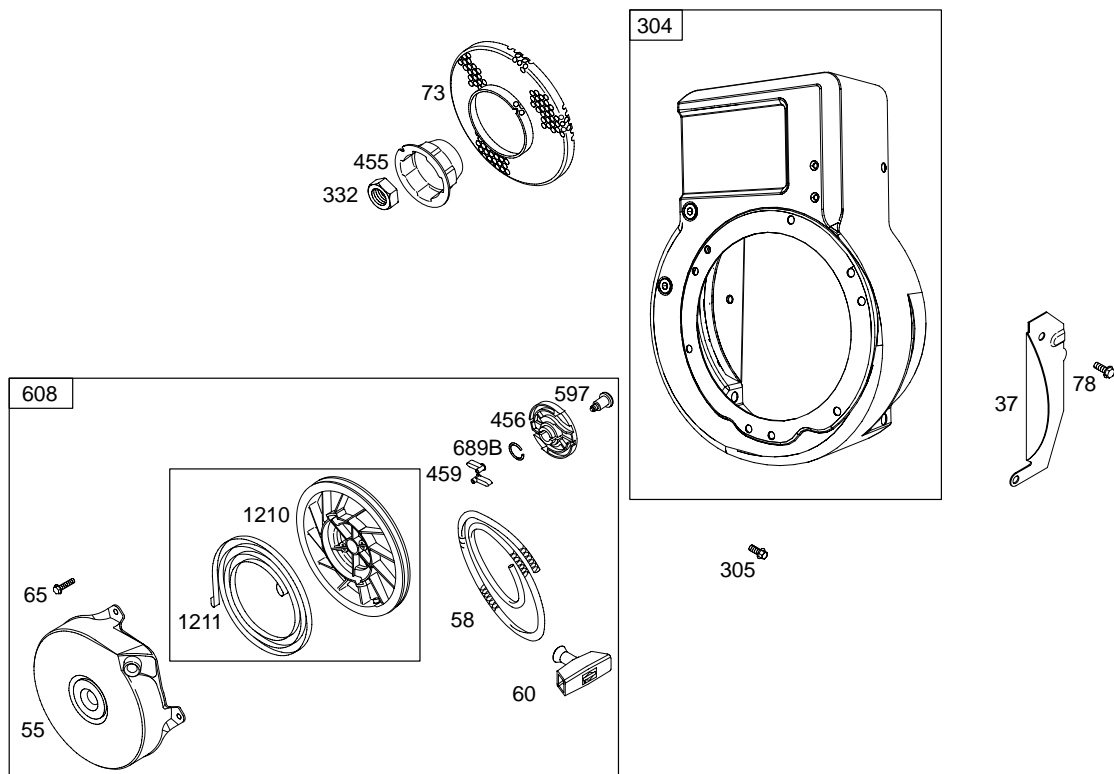
Illustrations cover a range of engines. Parts shown without corresponding text may not be used on your specific engine.
 5827-4 Assemblies include all parts shown in frames. 04/13/2004







Illustrations cover a range of engines. Parts shown without corresponding text may not be used on your specific engine.
 5827-7 Assemblies include all parts shown in frames. 04/13/2004



1036 EMISSIONS LABEL

| REF. NO. | PART NO. | DESCRIPTION | REF. NO. | PART NO. | DESCRIPTION | REF. NO. | PART NO. | DESCRIPTION | | |
|----------|----------|--|----------|----------|---|----------|---|--|--------|---|
| 1 | 494549 | Cylinder Assembly | 18 | 496679 | Cover-Crankcase Used on Type No(s). 0002, 0022, 0049. | 25 | 498668 | Piston Assembly (Standard) ———— Note ———— | | |
| 2 | 399269 | Kit-Bushing/Seal (Magneto Side) | | | ———— Note ———— | | | 498670 Piston Assembly (.020" Oversize) | | |
| 3 | ★299819 | Seal-Oil (Magneto Side) | | | 497502 Cover- Crankcase | 26 | 695169 | Ring Set (Standard) ———— Note ———— | | |
| 5 | 790169 | Head-Cylinder | | | Used on Type No(s). 0035, 0036, 0040. | | | 695172 Ring Set (.020" Oversize) | | |
| 7 | ★Δ698717 | Gasket-Cylinder Head | 18A | 699406 | Cover-Crankcase (Plain Bearing Cover) ———— Note ———— | 27 | 691588 | Lock-Piston Pin | | |
| 8 | 699448 | Breather Assembly | | | 394820 Cover- Crankcase (Plain Bearing Cover) Used on Type No(s). 0016. | 28 | 298909 | Pin-Piston (Standard) ———— Note ———— | | |
| 9 | ★Δ695890 | Gasket-Breather | | | 19 | 399269 | Kit-Bushing/Seal (PTO Side) | 29 | 294367 | Rod-Connecting (Standard) ———— Note ———— |
| 10 | 691666 | Screw (Breather Assembly) | | | 20 | 692020 | Seal-Oil (PTO Side) Used on Type No(s). 0002, 0022, 0035, 0036, 0040. | | | 296079 Rod- Connecting (.020" Undersize) |
| 11 | 790162 | Tube-Breather | 20A | ★299819 | Seal-Oil (PTO Side) | 30 | 691719 | Dipper-Connecting Rod | | |
| 12 | ★692218 | Gasket-Crankcase (.015" Thick) (Standard) | | | 21 | 281658 | Cap-Oil Fill | 32 | 691664 | Screw (Connecting Rod) |
| 13 | 691640 | Screw (Cylinder Head) | | | 22 | 691129 | Screw (Crankcase Cover/Sump) ———— Note ———— | 33 | 296676 | Valve-Exhaust |
| 14 | 690361 | Stud (Cylinder Head) | | | | | 693732 Screw (Crankcase Cover/Sump) Used on Type No(s). 0002, 0022, 0049. | 34 | 296677 | Valve-Intake |
| 15 | 691686 | Plug-Oil Drain (Square Head) | | | 23 | 690843 | Flywheel ———— Note ———— | 35 | 690520 | Spring-Valve (Intake) |
| 15A | 691682 | Plug-Oil Drain Used on Type No(s). 0022, 0110. | | | | | 496893 Flywheel | 36 | 690520 | Spring-Valve (Exhaust) |
| 16 | 497232 | Crankshaft ———— Note ———— | 24 | 222698 | Key-Flywheel | | | 37 | 690463 | Guard-Flywheel |
| | | 492880 Crankshaft Used on Type No(s). 0016, 0022. | | | | | | 40 | 692194 | Retainer-Valve |
| | | 691474 Crankshaft Used on Type No(s). 0110. | | | | | | 45 | 691762 | Tappet-Valve |
| | | 690821 Crankshaft Used on Type No(s). 0035. | | | | | | 46 | 691998 | Camshaft |
| | | 492095 Crankshaft Used on Type No(s). 0036. | | | | | | | | |
| | | 493599 Crankshaft Used on Type No(s). 0049. | | | | | | | | |
| 17 | 690824 | Bearing-Ball Used on Type No(s). 0035, 0036, 0040. | | | | | | | | |

★ Included in Engine Gasket Set-Ref. No.358.

● Included in Carburetor Overhaul Kit-Ref. No. 121.

◆ Included in Carburetor Gasket Set-Ref. No. 977.

Δ Included in Valve Gasket Set-Ref. No 1095.

Illustrations cover a range of engines. Parts shown without corresponding text may not be used on your specific engine.
5827-9 Assemblies include all parts shown in frames. 04/13/2004

093300

| REF. NO. | PART NO. | DESCRIPTION | REF. NO. | PART NO. | DESCRIPTION | REF. NO. | PART NO. | DESCRIPTION |
|----------|----------|---|----------|----------|------------------------------------|----------|----------|---|
| 51★△● | 273113 | Gasket-Intake | 95 | 691636 | Screw | 200 | 790167 | Blade-Governor |
| 51A | ●692283 | Gasket-Intake | | | (Throttle Valve) | 202 | 790168 | Link-Mechanical Governor |
| 54 | 691688 | Screw | 97 | 790270 | Shaft-Throttle | | | |
| | | (Intake Manifold) | 98 | 398185 | Kit-Idle Speed | 209 | 790356 | Spring-Governor (White) |
| 55 | 692144 | Housing-Rewind Starter | 104 | ●691242 | Pin-Float Hinge | | | (Used After Code Date 04020100) |
| 58 | 697316 | Rope-Starter (Cut To Required Length) | 108 | 692567 | Valve-Choke | | | Used on Type No(s). 0100. |
| 60 | 691915 | Grip-Starter Rope | 109 | 790307 | Shaft-Choke | | | |
| 65 | 690837 | Screw (Rewind Starter) | 117 | 494870 | Jet-Main (Standard) | | | |
| 73 | 699850 | Screen-Rotating | 118 | 497348 | Jet-Main (High Altitude) | | | Note |
| 78 | 690364 | Screw (Flywheel Guard) | 121 | 498260 | Kit-Carburetor Overhaul | | | 692205 Spring-Governor (No Color) |
| 79 | 690605 | Case-Gear Reduction | 125 | 790268 | Carburetor | | | Used on Type No(s). 0100. |
| 80 | 691602 | Gasket-Gear Case | 127 | ●691739 | Plug-Welch | | | (Used Before Code Date 04013100) |
| 81 | 691729 | Lock-Muffler Screw | 127A | ●694468 | Plug-Welch | | | 790309 Spring-Governor |
| 83 | 690374 | Shaft-Auxiliary Drive Used on Type No(s). 0049. | 127B | 691585 | Plug-Welch (Gear Reduction Case) | | | Used on Type No(s). 0022, 0110. |
| 84 | 691121 | Plug-Breather | 130 | 691181 | Valve-Throttle | | | 790357 Spring-Governor (Yellow) |
| 85 | 691117 | Screw (Gear Cover to Gear Reduction Case) | 133 | 398187 | Float-Carburetor | | | Used on Type No(s). 0036, 0040. |
| 85A | 691122 | Screw (Gear Cover to Gear Reduction Case) | 134 | ●398188 | Kit-Needle/Seat | 211 | 691289 | Spring-Governed Idle |
| 85B | 692551 | Screw (Gear Cover to Gear Reduction Case) | 137 | ◆●693981 | Gasket-Float Bowl | | | Note |
| 86 | 690608 | Cover-Gear | 149 | ●691592 | Spring-Needle Valve | | | 790308 Spring-Governed Idle |
| 87 | 691582 | Seal-Gear Reduction | 153 | 490501 | Kit-Collar/Screw | | | Used on Type No(s). 0022, 0110. |
| 88 | 691600 | Gasket-Gear Reduction Cover | 161 | 790171 | Base-Air Cleaner (Metal) | | | 790308 Spring-Governed Idle (Used After Code Date 04020100) |
| | | | 163A | ★272948 | Gasket-Air Cleaner | | | Used on Type No(s). 0100. |
| | | | 182 | 790174 | Bracket-Fuel Tank | | | 691289 Spring-Governed Idle |
| | | | 186 | 692317 | Connector-Hose | | | (Used Before Code Date 04013100) |
| | | | 187 | 691050 | Line-Fuel (Cut To Required Length) | | | Used on Type No(s). 0100. |
| | | | 188 | 691637 | Screw (Control Bracket) | | | |
| | | | 190 | 691640 | Screw (Fuel Tank) | | | |

★ Included in Engine Gasket Set-Ref. No.358.

● Included in Carburetor Overhaul Kit-Ref. No. 121.

◆ Included in Carburetor Gasket Set-Ref. No. 977.

△ Included in Valve Gasket Set-Ref. No 1095.

Illustrations cover a range of engines. Parts shown without corresponding text may not be used on your specific engine.

| REF. NO. | PART NO. | DESCRIPTION | REF. NO. | PART NO. | DESCRIPTION | REF. NO. | PART NO. | DESCRIPTION |
|----------|----------|--|----------|----------|--|----------|----------|--|
| 216 | 790271 | Link—Choke | 383 | 89838 | Wrench—Spark Plug | 692 | 690572 | Spring—Detent |
| 222 | 790164 | Bracket—Control | 431 | 790170 | Elbow—Intake | 718 | 690959 | Pin—Locating |
| 265 | 691024 | Clamp—Casing | 443 | 692523 | Screw | | | ————— Note ————— |
| 267 | 692577 | Screw (Casing Clamp) | | | (Air Cleaner Primer Base) | | | 499047 Pin—Locating Used on Type No(s). 0016, 0017, 0022, 0035, 0036, 0049, 0110. |
| 268 | 691025 | Casing—Control Wire (Cut To Required Length) | 445 | 790166 | Filter—Air Cleaner Cartridge | | | |
| 269 | 691026 | Wire—Control (Cut To Required Length) | 455 | 691236 | Cup—Flywheel | 741 | 691805 | Gear—Timing |
| 270 | 691027 | Nut (Control Wire Casing) | 456 | 692299 | Plate—Pawl Friction | 780 | 691211 | Anchor—Spring |
| 271 | 691028 | Lever—Control | 459 | 281505 | Pawl—Ratchet | 823 | 690661 | Screw (Muffler Adapter) |
| 276 | ◆●271716 | Washer—Sealing | 469 | 694420 | Ring—Rotating Trim | 831 | 691099 | Screw (Spring Anchor) |
| 284 | 691082 | Screw (Control Wire Casing) | 529 | ★692189 | Grommet (90 Degree) | 851 | 493880 | Terminal—Spark Plug |
| 300 | 790272 | Muffler | 529A | ★692187 | Grommet (45 Degree) | 864 | 790273 | Adapter—Muffler |
| 304 | 790165 | Housing—Blower | 536 | 790279 | Cleaner—Air | 869 | 691701 | Seat—Valve (Intake) |
| 305 | 692198 | Screw (Blower Housing) | 578A | 696031 | Wire Assembly | 870 | 691702 | Seat—Valve (Exhaust) |
| 306 | 690461 | Shield—Cylinder | 597 | 691696 | Screw (Pawl Friction Plate) | 871 | 262001 | Bushing—Valve Guide (Exhaust) |
| 307 | 691660 | Screw (Cylinder Shield) | 601 | 95162 | Clamp—Hose | | | ————— Note ————— |
| 308 | 690462 | Cover—Cylinder Head | 608 | 690101 | Starter—Rewind (70" Rope) | | | 63709 Bushing—Valve Guide (Intake) |
| 332 | 690662 | Nut (Flywheel) | | | ————— Note ————— | | | 883 691881 Gasket—Exhaust |
| 333 | 496914 | Armature—Magneto | | | 499706 Starter— Rewind Used on Type No(s). 0016, 0022, 0110. | 883A | ★691880 | Gasket—Exhaust |
| 334 | 691061 | Screw (Magneto Armature) | 613 | 699554 | Screw (Muffler) | 957 | 493988 | Cap—Fuel Tank (Plastic) |
| 337 | 802592 | Plug—Spark (Resistor) | 613A | 691413 | Screw (Muffler) | 968 | 790172 | Cover—Air Cleaner |
| 356 | 692390 | Wire—Stop Used on Type No(s). 0110. | 621A | 692310 | Switch—Stop | 972 | 790173 | Tank—Fuel (Plastic) (2.25 Quart Tank) |
| 356B | 691418 | Wire—Stop Used on Type No(s). 0022, 0100. | 633 | ◆●693867 | Seal—Choke/Throttle Shaft | 975 | 493640 | Bowl—Float |
| 358 | 495605 | Gasket Set—Engine | 635 | 66538 | Boot—Spark Plug | 977 | 498261 | Gasket Set—Carburetor |
| 360 | 691105 | Nut (Fuel Tank Bracket) | 676 | 393757 | Deflector—Muffler | 1019 | 790314 | Kit—Label |
| 363 | 19069 | Puller—Flywheel | | | ————— Note ————— | 1036 | 696765 | Label—Emissions |
| 365 | 690953 | Screw (Carburetor) | | | 494423 Deflector— Muffler Used on Type No(s). 0110. | 1058 | 275909 | Operator's Manual (Emission) |
| | | | 677 | 690661 | Screw (Muffler Deflector) | 1095 | 692638 | Gasket Set—Valve |
| | | | 689B | 691855 | Spring—Friction (Rewind Starter) | 1210 | 499901 | Pulley/Spring Assembly (Pulley) |
| | | | | | | 1211 | 499901 | Pulley/Spring Assembly (Spring) |
| | | | | | | 1330 | 270962 | Repair Manual |

★ Included in Engine Gasket Set—Ref. No.358.

● Included in Carburetor Overhaul Kit—Ref. No. 121.

◆ Included in Carburetor Gasket Set—Ref. No. 977.

△ Included in Valve Gasket Set—Ref. No 1095.

Illustrations cover a range of engines. Parts shown without corresponding text may not be used on your specific engine.
5827–11 Assemblies include all parts shown in frames. 04/13/2004