

**93500 to 93599**

# **Illustrated Parts List**

## **Model Series**

# **93500 to 93599**

## **NON-COMPLIANCE**

TYPE NUMBERS  
0101, 0121, 0122  
0150 through 0424  
0515 through 0581  
and 0808

### **TO FIND**

**THE CORRECT NUMBER OF THE PART YOU NEED:**

**FOLLOW THE INSTRUCTIONS BELOW**

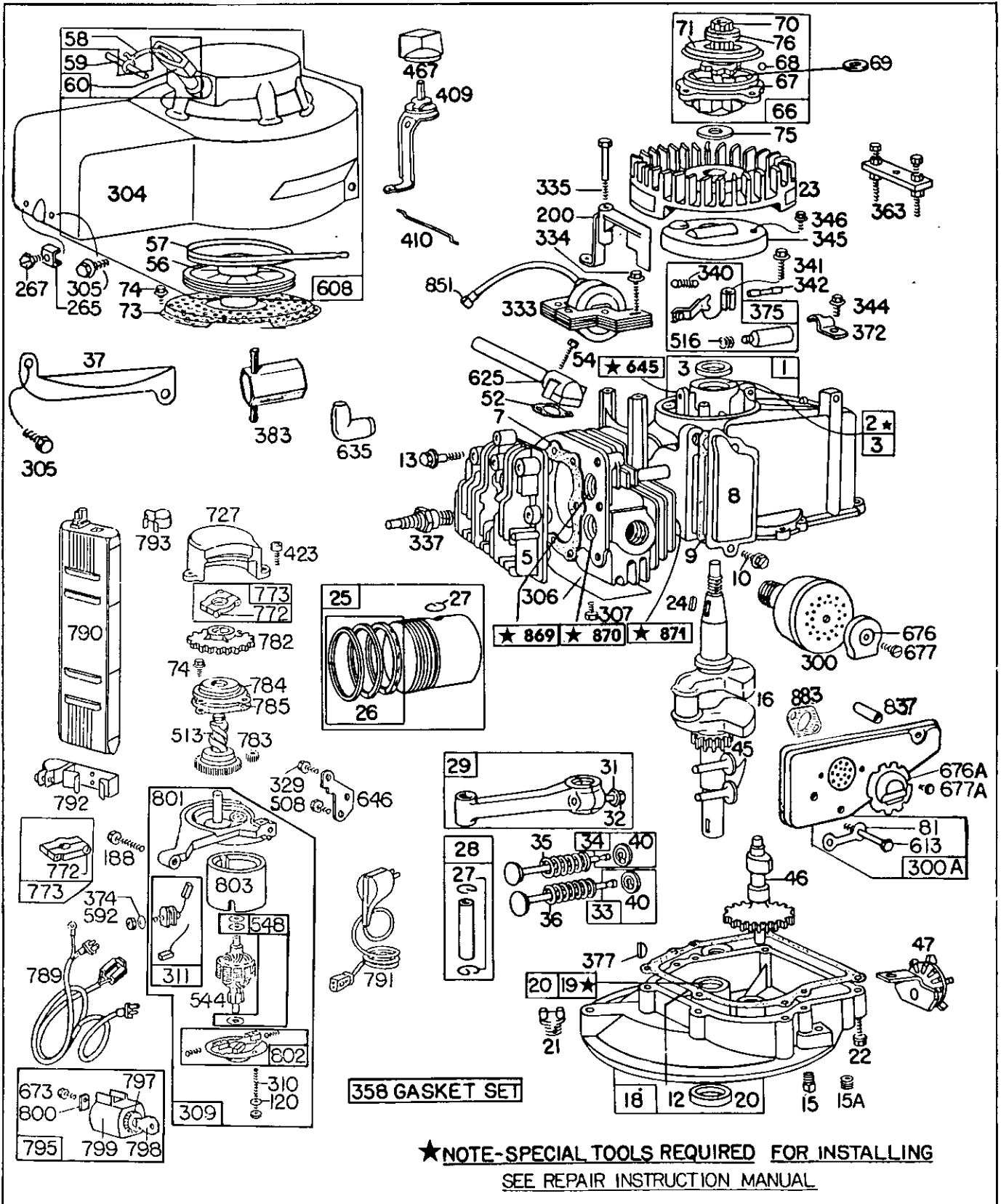
- A. Refer to Engine Model, Type and Code Number that is stamped on the blower housing of engine. Engine type numbers such as 012301 are listed herein only as 0123. The two digits (01 or 02, etc.) to the right of the space are not needed for parts identification. Then use the Illustrated Parts List covering the Model Series.
- B. Refer to Illustrated Parts section and compare the old part with illustration. The number on the illustration is the Reference Number. Assemblies include all parts shown in frames. All parts shown in assembly frames on which individual reference numbers are given can be purchased separately.
- C. After the Reference Number has been identified, refer to the Numerical Parts List, where Reference and Master Part Number are listed. **THE MASTER PART IS USED ON ALL TYPE NUMBERS EXCEPT THOSE TYPE NUMBERS UNDER "NOTE".**
- D. If a "Note" appears below the Master Part Number, this means that this part differs from the Master Part for certain types. If the Type number is listed under "Note", order the part referred to.
- E. If the Engine Type Number does not appear after any part number listed under "Note", use the Master Part Number.
- F. For Type Numbers higher than those covered by this book, please refer to the factory if you are unable to identify the part by comparison.

PRINTED IN U.S.A.

COPYRIGHT®



# 93500 to 93599



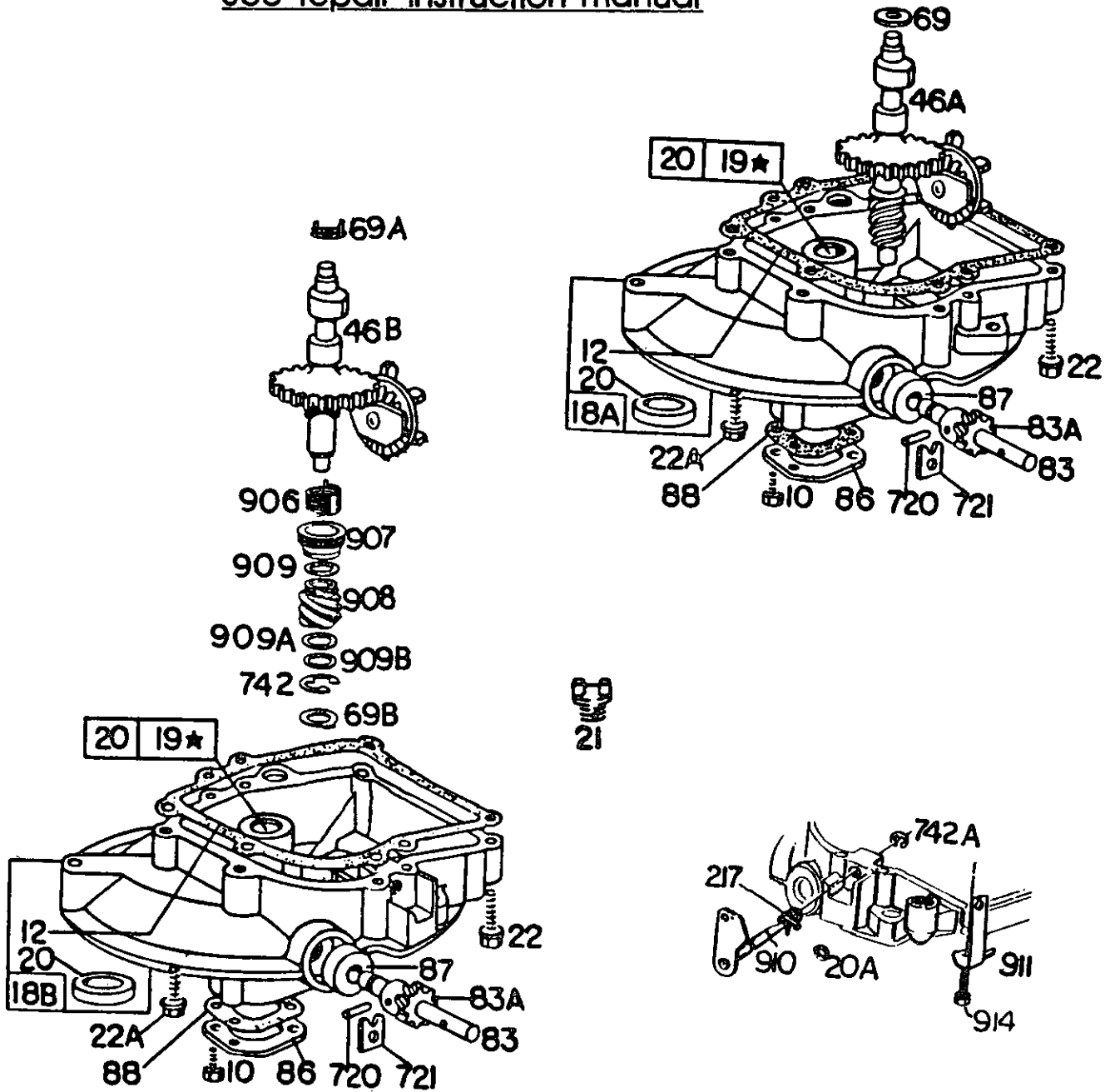
**358 GASKET SET**

**★NOTE-SPECIAL TOOLS REQUIRED FOR INSTALLING  
SEE REPAIR INSTRUCTION MANUAL**

935-1-52

Assemblies include all parts shown in frames.

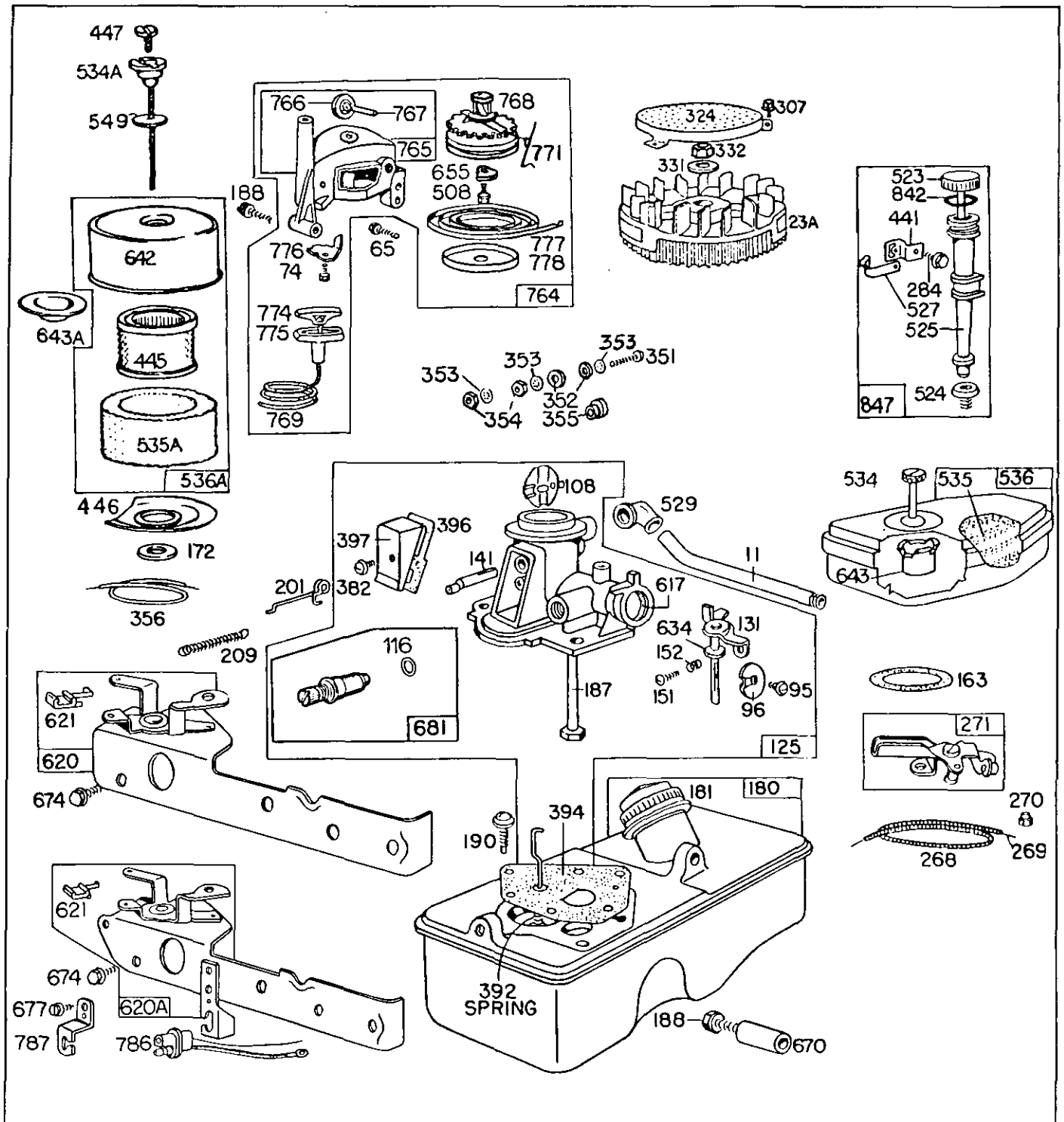
★ Special tools required to install.  
See repair instruction manual



935-2-52

Assemblies include all parts shown in frames.

# 93500 to 93599



935-3-52

Assemblies include all parts shown in frames.

# 93500 to 93599

REF. NO.	PART NO.	DESCRIPTION	REF. NO.	PART NO.	DESCRIPTION	REF. NO.	PART NO.	DESCRIPTION
1	298988	Cylinder Assembly		260097	Crankshaft		260911	Crankshaft
2	293708	Bushing—Cylinder			Used on Type Nos.			Used on Type Nos.
	<b>Note:</b>	Required special tools for installation		0159, 0160, 0175,			0121, 0122, 0154,	
				0188, 0202, 0203,			0155, 0156, 0157,	
3	299819	Seal—Oil		0206, 0228, 0237,			0178, 0179, 0181,	
5	211479	Head—Cylinder		0257, 0297, 0367,			0183, 0186, 0207,	
7	*270341	Gasket—Cylinder Head		0372, 0381, 0403,			0208, 0210, 0211,	
8	298383	Breather—Valve Chamber		0523, 0573.			0220, 0221, 0222,	
9	*270239	Gasket—Valve Cover		<b>260098</b> Crankshaft			0223, 0224, 0225,	
10	93394	Screw—Breather and P.T.O. Gear Sump Cover Mtg. Sem (Ref. No. 86)		Used on Type Nos.			0226, 0227, 0233,	
				0151, 0153, 0199,			0234, 0245, 0246,	
				0213, 0216, 0218,			0253, 0254, 0270,	
				0219, 0231, 0232,			0271, 0276, 0289,	
				0238, 0277, 0284,			0290, 0292, 0298,	
11	230802	Tube—Breather		0296, 0300, 0324,			0303, 0311, 0320,	
12	*270833	Gasket—Crankcase— .015" thick (Standard)		0330, 0336, 0338,			0327, 0344, 0347,	
	*270895	Gasket—Crankcase— .005" thick		0339, 0341, 0365,			0354, 0357, 0358,	
	*270896	Gasket—Crankcase— .009" thick		0383, 0386, 0395,			0361, 0380, 0387,	
				0519, 0574.			0388, 0393, 0398,	
13	93111	Screw—Cylinder Head (1-15/16" long)		<b>260099</b> Crankshaft			0418, 0423, 0551,	
15	91084	Plug—Oil Drain (Square Head)		Uses:			0565, 0566.	
15A	93418	Plug—Oil Drain (Socket Head)		<b>220708</b> Shim—Thrust			<b>260912</b> Crankshaft	
16	260124	Crankshaft		Used on Type No.			Used on Type Nos.	
	<b>Note:</b>	<b>260096</b> Crankshaft		0542.			0150, 0161, 0162,	
		Used on Type Nos.		<b>260224</b> Crankshaft			0255, 0259, 0364.	
		0158, 0163, 0165,		Uses:			<b>260913</b> Crankshaft	
		0171, 0172, 0173,		<b>220708</b> Shim—Thrust			Used on Type No.	
		0182, 0185, 0201,		Used on Type No.			0370, 0808.	
		0205, 0209, 0217,		0543.			<b>260914</b> Crankshaft	
		0229, 0240, 0241,		<b>260370</b> Crankshaft			Used on Type Nos.	
		0242, 0244, 0247,		Used on Type Nos.			0406, 0550, 0581.	
		0248, 0252, 0265,		0262, 0263, 0264.			<b>260957</b> Crankshaft	
		0267, 0275, 0279,		<b>260319</b> Crankshaft			Used on Type No.	
		0282, 0283, 0285,		Used on Type Nos.			0524.	
		0286, 0294, 0299,		0318, 0375.			<b>261007</b> Crankshaft	
		0301, 0302, 0304,		<b>260370</b> Crankshaft			Uses:	
		0305, 0308, 0311,		Used on Type Nos.			<b>220708</b> Shim—Thrust	
		0321, 0325, 0329,		0391, 0529, 0575,			Used on Type No.	
		0331, 0332, 0333,		0578.			0545.	
		0334, 0335, 0340,		<b>260400</b> Crankshaft			<b>261030</b> Crankshaft	
		0349, 0350, 0351,		Used on Type No.			Used on Type Nos.	
		0356, 0363, 0369,		0526.			0164, 0169, 0176,	
		0371, 0373, 0374,		<b>260411</b> Crankshaft			0189, 0204, 0214,	
		0378, 0379, 0382,		Used on Type No.			0215, 0230, 0236,	
		0396, 0397, 0400,		0528.			0243, 0249, 0258,	
		0410, 0419, 0517,		<b>260670</b> Crankshaft			0260, 0268, 0269,	
		0572.		Used on Type No.			0274, 0291, 0295,	
				0521.			0405, 0408, 0409,	
				<b>260856</b> Crankshaft			0412, 0415, 0416,	
				Uses:			0421, 0422, 0571.	
				<b>220708</b> Shim—Thrust			<b>261133</b> Crankshaft	
				Used on Type No.			Used on Type No.	
				0280.			0579.	

\*Included in Gasket Set—  
Part No. 298989.

# 93500 to 93599

REF. NO.	PART NO.	DESCRIPTION	REF. NO.	PART NO.	DESCRIPTION	REF. NO.	PART NO.	DESCRIPTION
	<b>261292</b>	Crankshaft Used on Type No. 0191.			0399, 0403, 0405, 0408, 0409, 0411, 0412, 0413, 0414, 0415, 0416, 0417, 0419, 0421, 0422, 0424, 0571, 0572, 0573, 0574.	<b>23</b>	<b>297949</b>	Flywheel—Magneto
	<b>261293</b>	Crankshaft Used on Type Nos. 0190, 0193, 0194, 0195, 0196, 0580.			<b>390810</b> Sump—Oil Used on Type Nos. 0190, 0191, 0192, 0193, 0194, 0195, 0196, 0197, 0198, 0285, 0578, 0579, 0580.		<b>Note: 296884</b>	Flywheel— Magneto Used on Type Nos. 0168, 0170, 0175, 0187, 0238, 0276, 0277, 0278, 0287, 0288, 0296, 0318, 0338, 0339, 0341, 0343, 0344, 0345, 0359, 0360, 0362, 0367, 0369, 0375, 0376, 0381, 0382, 0383, 0406, 0410, 0515, 0519, 0523, 0550, 0551.
<b>18</b>	<b>293512</b>	Sump—Oil	<b>18A</b>	<b>299058</b>	Sump—Oil Used on Model 93580 to 93589 Series.	<b>23A</b>	<b>394032</b>	Flywheel—Magneto
	<b>Note: 298280</b>	Sump—Oil Used on Model 93590 to 93599 Series.		<b>Note: 390015</b>	Sump—Oil Used on Type Nos. 0155, 0156, 0157, 0180, 0181, 0207, 0211, 0223, 0224, 0225, 0226, 0227, 0234, 0249, 0259, 0270, 0289, 0290, 0292, 0303, 0327, 0354, 0357, 0361, 0364, 0370, 0380, 0388, 0393, 0398, 0423, 0565, 0566, 0581, 0808.		<b>Note: 394066</b>	Flywheel Used on Type No. 0381.
	<b>390017</b>	Sump—Oil Used on Type Nos. 0280, 0545.			<b>18B</b>	<b>394746</b>	Sump—Oil (For Clutch)	
	<b>390149</b>	Sump—Oil Used on Type Nos. 0575.	<b>19</b>	<b>293709</b>	Bushing—Oil Sump <b>Note:</b> Requires Special Tool for Installation	<b>24</b>	<b>61760</b>	Key—Flywheel
	<b>394157</b>	Sump—Oil Used on Type Nos. 0153, 0158, 0159, 0164, 0169, 0176, 0177, 0182, 0189, 0200, 0202, 0204, 0205, 0206, 0209, 0214, 0215, 0216, 0217, 0218, 0219, 0230, 0231, 0232, 0236, 0237, 0243, 0244, 0249, 0252, 0257, 0258, 0260, 0262, 0263, 0264, 0265, 0267, 0268, 0269, 0274, 0275, 0279, 0282, 0289, 0291, 0295, 0297, 0299, 0305, 0308, 0315, 0319, 0321, 0322, 0323, 0324, 0325, 0328, 0329, 0336, 0338, 0339, 0340, 0342, 0346, 0348, 0349, 0350, 0351, 0352, 0355, 0362, 0363, 0365, 0366, 0368, 0371, 0372, 0374, 0377, 0381, 0382, 0384, 0385, 0386, 0389, 0390, 0391, 0392, 0394, 0395, 0397,	<b>20</b>	<b>391483</b>	Seal—Oil	<b>25</b>	<b>298904</b>	Piston Assy.—Standard
			<b>20A</b>	<b>280266</b>	Seal—Oil		<b>298905</b>	Piston Assy.— .010" O.S.
			<b>21</b>	<b>66768</b>	Plug—Oil Filler		<b>298906</b>	Piston Assy.— .020" O.S.
			<b>22</b>	<b>93032</b>	Screw—Sump.Mtg. Sem		<b>298907</b>	Piston Assy.— .030" O.S.
			<b>22A</b>	<b>93415</b>	Screw—Sump Mtg. Sem (One used in Auxiliary Drive Gear Sump) on Model 93580 to 93599 Series. <b>Note:</b> Use <b>93032</b> Screw in the other (5) Sump Mounting Holes. Use (4) <b>93032</b> Screws with (1) Ref. 914 Screw on Clutch Type.	<b>PISTON RING SETS:</b> <b>Note:</b> For Chrome Piston Ring Set—Standard Size—Order Part No. <b>299742.</b>		
						<b>26</b>	<b>298982</b>	Ring Set—Standard Piston
							<b>298983</b>	Ring Set—.010" O.S. Piston
							<b>298984</b>	Ring Set—.020" O.S. Piston
							<b>298985</b>	Ring Set—.030" O.S. Piston
						<b>27</b>	<b>26026</b>	Lock—Piston Pin
						<b>28</b>	<b>298909</b>	Pin Assembly— Piston—Standard
							<b>298908</b>	Pin Assembly— Piston—.005" O.S.
						<b>29</b>	<b>294201</b>	Rod Assy.—Connecting <b>Note:</b> For Connecting Rod with .020" Undersize Crankpin Bore—Order No. 296079.

# 93500 to 93599

REF. NO.	PART NO.	DESCRIPTION	REF. NO.	PART NO.	DESCRIPTION	REF. NO.	PART NO.	DESCRIPTION		
31	222282	Washer—Connecting Rod Screw (One for Each Screw)			0259, 0271, 0289, 0292, 0298, 0327, 0354, 0357, 0358, 0361, 0393, 0418, 0565.	83	230831	Shaft—Drive		
32	92296	Screw—Connecting Rod						<b>Note:</b> 230860 Shaft—Drive Used on Type Nos. 0357, 0358, 0550.		
33	296676	Valve—Exhaust						230870 Shaft—Drive Used on Type Nos. 0398.		
		<b>Note:</b> 260442 Valve—Exhaust Used on Type Nos. 0251, 0536.	46B	394231	Cam Gear and Oil Slinger Assembly (For Clutch)			230921 Shaft—Drive Used on Type Nos. 0154, 0156, 0210, 0211.		
		260443 Valve—Exhaust Used on Type Nos. 0362, 0394.	47	294652	Oil Slinger Gear and Bracket			230948 Shaft—Drive Used on Type Nos. 0161, 0162, 0178, 0179, 0186, 0187, 0254, 0255, 0271, 0298, 0320, 0347, 0406, 0565.		
34	296677	Valve—Intake	52	*270345	Gasket—Intake Elbow			230952 Shaft—Drive Used on Type Nos. 0208, 0222, 0226, 0245, 0246, 0253, 0327, 0354, 0361, 0393.		
35	260552	Spring—Intake Valve	54	93485	Screw—Intake Elbow Mounting			230987 Shaft—Drive Used on Type Nos. 0581, 0808.		
36	26478	Spring—Exhaust Valve	56	280117	Pulley—Rewind Starter			231213 Shaft—Drive Used on Type Nos. 0155, 0157.		
		<b>Note:</b> 26826 Spring—Exhaust Valve Used on Type Nos. 0251, 0362, 0394, 0536.	57	294303	Spring—Rewind Starter	83A	231278	Gear—Drive		
37	222403	Guard—Flywheel	58	66734	Rope—Rewind Starter—48-5/8" long			<b>Note:</b> 231279 Gear—Drive Used on Type Nos. 0154, 0156, 0161, 0162, 0178, 0179, 0180, 0181, 0186, 0187, 0208, 0210, 0211, 0221, 0222, 0223, 0226, 0233, 0245, 0246, 0253, 0254, 0255, 0289, 0292, 0298, 0320, 0327, 0347, 0354, 0357, 0361, 0393, 0418, 0565.		
40	93312	Retainer—Valve Spring Used with valves with groove in stem.			<b>Note:</b> If longer rope is needed, Order No. 66684 and cut to required length.			86	221780	Cover—Sump
		<b>Note:</b> 292259 Rotocap—Exhaust Valve	59	230228	Pin—Starter Rope			87	391484	Seal—Oil
		230126 Pin—Exhaust Valve Rotocap Retainer	60	393152	Grip—Starter Rope			88	*270328	Gasket—Sump Cover
		230127 Retainer—Exhaust Valve Rotocap Used on Type Nos. 0251, 0362, 0394, 0536.	65	93587	Screw—Vertical Pull Starter Mounting			95	93499	Screw—Throttle Valve Mounting Sem
45	230173	Tappet—Valve	66	298310	Clutch Assy.—Rewind Starter			96	211203	Valve—Throttle
46	210453	Gear—Cam	67	212131	Housing—Starter Clutch			108	280178	Valve—Choke
		<b>Note:</b> 211337 Gear—Cam Used only on Model 93590 to 93599 Series.	68	63770	Ball—Clutch			116	280203	Seal—O-Ring
46A	298803	Cam Gear, Worm and Oil Slinger Assembly	69	66718	Washer—Thrust					
		<b>Note:</b> 299563 Cam Gear Worm and Oil Slinger Assy. (Counterclockwise) Used on Type Nos. 0154, 0156, 0161, 0162, 0178, 0179, 0180, 0181, 0186, 0187, 0207, 0208, 0210, 0211, 0221, 0222, 0223, 0225, 0226, 0227, 0233, 0234, 0245, 0246, 0253, 0254, 0255,	69A	223225	Washer—Clip					
			69B	223228	Washer—Thrust					
			69C	66718	Washer—Thrust					
			70	298436	Ratchet—Rewind and Wind-up Starter					
			71	221653	Washer—Clutch Retainer					
			73	221661	Screen—Starter Pulley					
			74	93490	Screw—Sem					
			75	220865	Washer—Spring					
			76	68238	Washer—Ratchet Sealing					
			81	223256	Lock—Muffler Screw					

\*Included in Gasket Set—  
Part No. 298989.

# 93500 to 93599

REF. NO.	PART NO.	DESCRIPTION	REF. NO.	PART NO.	DESCRIPTION	REF. NO.	PART NO.	DESCRIPTION
120	92290	Washer—Lock— No. 10 x 1/16 x 3/64"		<b>261034</b>	Spring— Governor For 2900 to 3100 RPM		<b>261105</b>	Spring— Governor For 3000 to 3200 RPM
125	394591	Carburetor Assembly			Top Speed Set - No Load			Used on Type Nos. 0150, 0158, 0159,
131	394588	Shaft and Lever Throttle			Used on Type Nos. 0151, 0152, 0153, 0154, 0155, 0156, 0157, 0194, 0197, 0199, 0200, 0201, 0209, 0210, 0211, 0229, 0231, 0232, 0233, 0234, 0241, 0242, 0244, 0245, 0246, 0266, 0288, 0294, 0315, 0341, 0352, 0354, 0355, 0357, 0358, 0361, 0380, 0393, 0415, 0423, 0580.			0160, 0161, 0162, 0163, 0167, 0185, 0186, 0195, 0202, 0203, 0205, 0207, 0212, 0213, 0214, 0215, 0219, 0220, 0221, 0222, 0223, 0224, 0225, 0226, 0227, 0254, 0255, 0262, 0268, 0270, 0284, 0285, 0289, 0295, 0300, 0301, 0305, 0325, 0385, 0386, 0387, 0388, 0392, 0399, 0407, 0412, 0418, 0419, 0578, 0808.
141	68908	Shaft—Choke			<b>261060</b> Spring— Governor For 3100 to 3300 RPM			<b>261106</b> Spring— Governor For 2800 to 3000 RPM
151	93524	Screw—Machine, Rd. Hd.—5-40 x 1/2"			Used on Type Nos. 0164, 0189, 0204, 0247, 0248, 0252, 0253, 0256, 0263, 0276, 0327, 0332, 0340, 0344, 0345, 0346, 0347, 0350, 0351, 0353, 0356, 0359, 0360, 0362, 0366, 0377, 0382, 0391, 0395, 0409, 0416, 0422, 0515, 0516, 0517, 0519, 0521, 0523, 0524, 0529, 0542, 0543, 0545, 0550, 0551, 0565, 0571, 0572, 0573, 0574, 0581.			Used on Type Nos. 0173, 0174, 0175, 0176, 0177, 0178, 0179, 0191, 0198, 0208, 0240, 0281, 0298, 0365.
152	260746	Spring—Throttle Adj.			<b>261061</b> Spring— Governor For 3600 to 3800 RPM			<b>261312</b> Spring— Governor For 2400 to 2600 RPM
163	271139	Gasket—Air Cleaner Mounting			Used on Type Nos. 0168, 0239, 0275, 0338, 0374, 0408, 0411, 0413, 0421.			Used on Type No. 0190.
172	271077	Gasket—Air Cleaner				217	261520	Spring—Return (Clutch Lever)
180	393113	Tank Assembly—Fuel				265	22372	Clamp—Casing
181	298425	Cap—Fuel Tank				267	93469	Screw—Clamp Mtg.
187	393001	Pipe—Fuel				268	66986	Casing—Control Wire— 48" long
188	93585	Screw—Fuel Tank and Starter Mounting						<b>Note:</b> If longer casing is needed, specify length in inches; if a shorter casing is needed, Order No. 66986 and cut to required length.
190	93440	Screw—Fuel Tank Mounting Sem						
200	68388	Blade—Governor						
201	260878	Link—Governor <b>Note:</b> <b>261027</b> Link—Governor Used on Model 93505, 93508, 93588 Series, Also on Zinc Flywheel and Type No. 0424.						
209	260875	Spring—Governor For 3400 to 3600 RPM Top Speed Set-No Load <b>Note:</b> <b>260876</b> Spring—Governor (For 3900 to 4100 RPM Top Speed Set-No Load) Used on Type Nos. 0238, 0261, 0277, 0287, 0312, 0376, 0383, 0410, 0528. <b>260877</b> Spring— Governor (For 3200 to 3400 RPM Top Speed Set-No Load) Used on Type Nos. 0170, 0171, 0187, 0188, 0206, 0228, 0230, 0235, 0243, 0249, 0250, 0251, 0258, 0266, 0267, 0279, 0280, 0282, 0296, 0299, 0304, 0323, 0339, 0343, 0363, 0364, 0368, 0370, 0372, 0389, 0394, 0396, 0397, 0406, 0414, 0526, 0566, 0575, 0579.						



# 93500 to 93599

REF. NO.	PART NO.	DESCRIPTION	REF. NO.	PART NO.	DESCRIPTION	REF. NO.	PART NO.	DESCRIPTION
269	26099	Wire—Control, 54" long <b>Note:</b> If longer wire is needed, specify length in inches; if shorter wire is needed, Order No. 26099 and cut to required length.			<b>Note:</b> 390279 Housing—Blower (For Vertical Pull and Electric Starter) Used on Model 93508 to 93598 Series.	354	90576	Nut—Hex.—8-32 (2)
270	63426	Locknut—Control Wire Casing	305	93559	Screw—Blower Housing Mounting Sem	355	66554	Collar—Insulating
271	290568	Lever Assy.—Control	306	221805	Shield—Cylinder	356	298479	Wire—Ground <b>Note:</b> 298581 Wire—Ground Used on Type Nos. 0189.
284	93572	Screw—Clamp Mtg.	307	93490	Screw—Cylinder Shield and Rotating Screen Mounting Sem			391554 Wire—Ground Used on Type Nos. 0171, 0339, 0355, 0580.
300	298830	Muffler—Exhaust <b>Note:</b> 299106 Muffler—Exhaust Used on Type Nos. 0150, 0218, 0526, 0550, 0565, 0566, 0575. 394569 Muffler—Exhaust Used on Type Nos. 0153, 0154, 0155, 0156, 0157, 0164, 0165, 0172, 0183, 0184, 0189, 0190, 0191, 0192, 0193, 0194, 0195, 0196, 0197, 0198, 0204, 0239, 0251, 0261, 0262, 0263, 0264, 0265, 0266, 0279, 0286, 0287, 0303, 0304, 0312, 0315, 0319, 0321, 0322, 0355, 0367, 0372, 0376, 0405, 0408, 0411, 0413, 0536, 0578, 0579, 0580.	309	391551	Motor—Starter	358	298989	Gasket Set
			310	93774	Bolt—Starter Motor (3" Long)	363	19069	Puller—Flywheel (Optional Accessory)
			311	390204	Brush Kit—Starter Motor	372	220477	Clamp—Condenser
			324	223006	Screen—Rotating	374	92813	Washer—Lock—Shakeproof
			329	93294	Screw—Sem	375	294628	Breaker Points and Condenser Set <b>Note:</b> 299061 Ignition Kit <b>Includes:</b> 294628 Point Set 65704 Plunger 61760 Key—Flywheel
			331	220865	Washer—Flywheel	377	93065	Key—Woodruff No. 6
			332	92284	Nut—Flywheel	382	93864	Screw—Choke Link Cover
			333	298502	Armature—Magneto	383	89838	Wrench—Spark Plug
			334	93381	Screw—Armature Mounting Sem	392	261016	Spring—Diaphragm
			335	93435	Screw—Armature and Governor Blade Mounting Sem	394	299637	Diaphragm—Carburetor
			337	298809	Plug—Spark 1-1/2" High—(37-42 MM) <b>Note:</b> 29693 Plug—Spark 2" High—(51 MM) 293918 Plug—Spark 1-1/2" High—(37 MM) (Resistor Type) 392588 Plug—Spark 2" High—(51 MM) (Resistor Type)	396	270571	Gasket—Choke Link Cover
300A	394644	Muffler—Exhaust <b>Note:</b> 393400 Muffler—Exhaust Used on Type Nos. 0171, 0249, 0299, 0325.	340	26018	Spring—Breaker Arm	397	211678	Cover—Choke Link
			341	93381	Screw—Breaker Arm Mounting Sem	409	299839	Control—Dial
			342	65704	Plunger—Breaker Point	410	260993	Link—Control
304		<b>Housing—Blower</b> For Type Nos. not listed below, see Ref. No. 608.	344	93042	Screw—Condenser Clamp Mounting Sem	423	93599	Screw—Sem
			345	220366	Cover—Breaker Point and Condenser	441	222530	Bracket—Oil Fill Tube
			346	93705	Screw—Dust Cover Mounting	445	392308	Cartridge—Air Cleaner
			351	93735	Screw—Terminal	446	222844	Base—Air Cleaner
			352	66068	Washer—Insulating	447	93817	Screw—Cover Mtg.
			353	92791	Washer—Lock—Shakeproof (3)	467	299858	Knob—Dial Control
						508	93158	Screw—Sem
						513	390074	Clutch Assembly—Electric Starter
						516	260374	Spring—Connector (Condenser Post)
						523	391838	Cap with Dipstick—Oil Filler
						524	68838	Seal—Filler Tube
						525	280131	Tube—Oil Filler
						527	222548	Clamp—Oil Filler Tube
						529	67838	Grommet—Breather

# 93500 to 93599

REF. NO.	PART NO.	DESCRIPTION	REF. NO.	PART NO.	DESCRIPTION	REF. NO.	PART NO.	DESCRIPTION
534	93865	Screw—Air Cleaner				620A	390199	Carburetor Control Plate and Harness Plug Bracket Used with Electric Starters.
	<b>Note:</b>	93374 Screw—Air Cleaner Used on Type No. 0335.				621	297472	Switch—Stop
534A	94005	Screw—Air Cleaner (Internal)				625	298775	Tube—Fuel Intake
535	270579	Element—Air Cleaner				634	270167	Washer—Throttle Shaft (Felt)
535A	271466	Element—Air Cleaner				635	66538	Elbow—Spark Plug
536	390055	Cleaner Assembly—Air				642	222626	Cover—Air Cleaner
536A	392368	Cleaner Assy.—Air				643	222991	Cup—Air Cleaner
544	391667	Armature—Starter (4-1/16" long)				643A	222594	Cup—Air Cleaner
548	390208	Washer Set—Starter Motor				645	23513	Bushing—Plunger
549	270978	Washer (Below Internal Screw Head)				646	222086	Bracket—Electric Starter Mounting
592	90356	Nut—Hex.—10-24				655	222057	Anchor—Spring
608	390270	Starter Assy.—Rewind (12 o'clock)				670	93912	Spacer—Fuel Tank
	<b>Note:</b>	298601 Starter Assy.—Rewind (4 o'clock) Used on Type Nos. 0296, 0311, 0318, 0331, 0375, 0400, 0401, 0411. 390268 Starter Assy.—Rewind (10 o'clock) Used on Type Nos. 0165, 0187, 0238, 0239, 0261, 0272, 0312, 0326, 0333, 0334, 0338, 0378, 0379, 0406, 0417, 0420. 390274 Starter Assy.—Rewind (1:30 o'clock) Used on Type Nos. 0151, 0152, 0154, 0155, 0171, 0172, 0173, 0174, 0175, 0178, 0183, 0184, 0185, 0186, 0188, 0201, 0203, 0208, 0210, 0212, 0213, 0222, 0223, 0241, 0245, 0247, 0248, 0253, 0273, 0284, 0288, 0298, 0300, 0303, 0341, 0354, 0358, 0407, 0521, 0524, 0536, 0550.				673	93705	Screw—Receptacle Retainer
						674	93158	Screw—Tank to Bracket
						676	221794	Deflector—Muffler (Side Outlet)
							<b>Note:</b>	221861 Deflector—Muffler Used on Type No. 0363. 393760 Deflector—Exhaust <b>Uses:</b> 93705 Screw—Muffler Used on Type Nos. 0164, 0172, 0184, 0189, 0190, 0191, 0192, 0193, 0194, 0195, 0196, 0197, 0198, 0204, 0264, 0266, 0280, 0282, 0286, 0287, 0355, 0405, 0417, 0536, 0578, 0579, 0580.
			613	93935	Screw—Muffler Mtg.	676A	222238	Deflector—Exhaust (Side Outlet)
			617	270344	Seal—Intake Tube	677	93606	Screw—Muffler Deflector and Harness Retainer
			620	299974	Plate—Carburetor Control	677A	93705	Screw—Muffler Deflector
				<b>Note:</b>	222984 Control Bracket is furnished by Equipment Manufacturer Used on Type Nos. 0197, 0198. 299975 Plate—Carburetor Control Used on Type Nos. 0168, 0287, 0299, 0344, 0345, 0351, 0353, 0356, 0359, 0365, 0375, 0395, 0407, 0515, 0516, 0517, 0519, 0521, 0523, 0524, 0526, 0528, 0529, 0542, 0543, 0545, 0550, 0551, 0565, 0566, 0571, 0572, 0573, 0574, 0575.	681	395508	Needle Valve Kit
						720	93474	Pin—Gear to Shaft
						721	221779	Stop—Drive Shaft
						727	211757	Cover—Electric Starter
						742	93525	Ring—Retaining

## 93500 to 93599

REF. NO.	PART NO.	DESCRIPTION	REF. NO.	PART NO.	DESCRIPTION	REF. NO.	PART NO.	DESCRIPTION
742A	93925	Ring—Retaining (Clutch Lever)	778	280021	Cover—Vertical Pull Starter Cover	791	390197	Charger—Battery
764	391486	Starter Assembly—Vertical Pull <b>Note:</b> 392064 Starter Assy.—Vertical Pull Used on Type Nos. 0190, 0192, 0193, 0194, 0198, 0580. 392801 Starter Assy.—Vertical Pull Used on Type No. 0263.	782	280038	Gear—Electric Starter Spur	792	390137	Bracket Assembly—Battery Mounting
765	299947	Housing—Vertical Pull Starter <b>Note:</b> 392138 Housing—Vertical Pull Starter Used on Type Nos. 0190, 0192, 0193, 0194, 0198, 0580.	783	230960	Gear—Electric Starter Pinion	793	261049	Clip—Wiring Harness
766	280022	Pulley—Rope (Small)	784	222085	Cover—Electric Starter Clutch Gear	795	390122	Switch Assembly—Starter—Ignition
767	231048	Pin—Small Rope Pulley (7/16" Long) <b>Note:</b> 93586 Pin—Small Rope Pulley (7/8" long)	785	270610	Gasket—Electric Starter Clutch Gear Cover	797	390201	Nut Set
768	299948	Pulley and Gear Assy.	786	390102	Wiring Harness—Starter Motor (Cylinder Head End) <b>Note:</b> 394936 Wiring Harness—Starter Motor Used on Type No. 0204.	798	394304	Key Set—Starter Switch
769	66734	Rope—Vertical Pull Starter	787	222088	Retainer—Harness Plug	799	211773	Housing—Starter Switch
771	299961	Clip—Vertical Pull Starter	789	390207	Wiring Harness Assy.—Mower (55" long with 32" long side Lead Wire— for Switch on Handle) <b>Note:</b> 390372 Wiring Harness Assy.—Mower (12" long with 8" long side lead wire— for switch on deck)	800	222212	Retainer—Switch Receptacle
772	93598	Screw—Sem	790	390123	Battery—Electric Starter (G. E. No. 41GBOO1LD09) <b>Uses:</b> 391999 Terminal Battery (G. E. No. 152B5421 — 121) 392000 Charger Terminal (G. E. No. 251A6695 — G1) <b>Note:</b> If this Battery does not fit, refer to Equipment Manufacturer.	801	390202	Motor Output End Cover and Mounting Bracket
773	390112	Retainer Assy.—Spur Gear				802	390203	Cap Assembly—End
774	280121	Insert—Starter Handle				803	391668	Housing—Starter (2-9/16" long)
775	280036	Grip—Starter Rope <b>Note:</b> 280195 Grip—Starter Rope Used on Type No. 0263.				837	222241	Spacer—Muffler Mtg.
776	222049	Guide—Rope				842	270920	Seal—Oil Filler Cap
777	390066	Spring—Vertical Pull Starter				847	392055	Fill Group—Oil
						851	221798	Terminal—Ignition Cable
						869	210879	Seat—Intake Valve (Standard)
						870	211291	Seat—Exhaust Valve (Standard)
						871	63709	Guide—Exhaust Valve
						883	270774	Gasket—Exhaust
						906	261650	Spring—Torsion
						907	394871	Sleeve Assy.—Clutch
						908	231220	Gear—Worm <b>Note:</b> 231219 Gear—Worm Used on Type Nos. 0320, 0347.
						909	271417	Washer—Thrust
						909A	271418	Washer—Thrust
						909B	271312	Washer—Thrust
						910	394051	Lever Assy.—Clutch
						911	223009	Control Bracket—Clutch
						914	93970	Screw—Bracket Mtg. Sem