

94200

Illustrated Parts List

Model Series

94200

TYPE NUMBERS
0104 through 0319.

TABLE OF CONTENTS

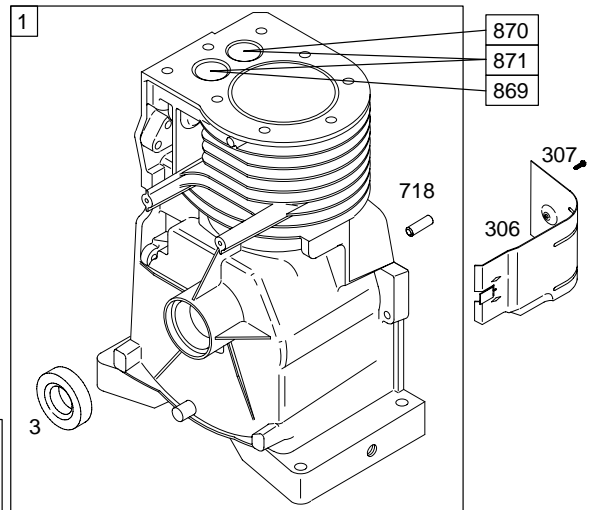
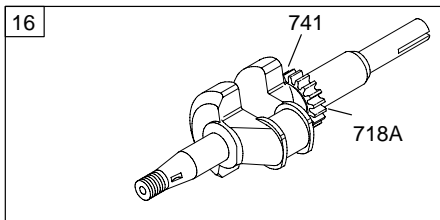
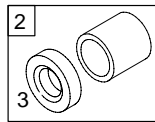
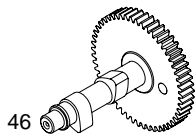
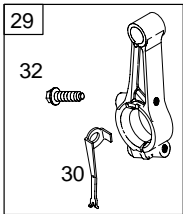
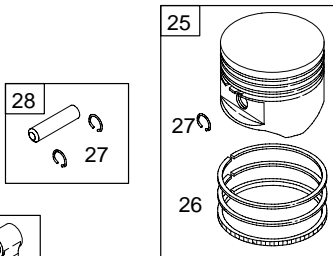
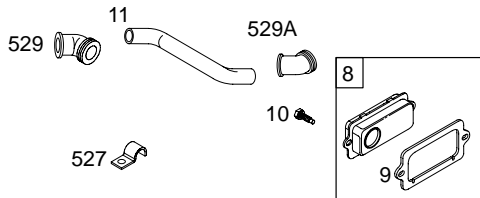
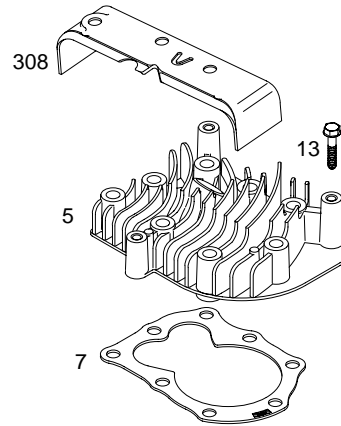
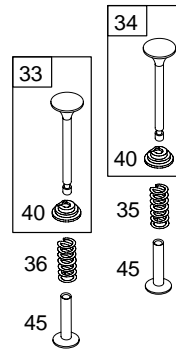
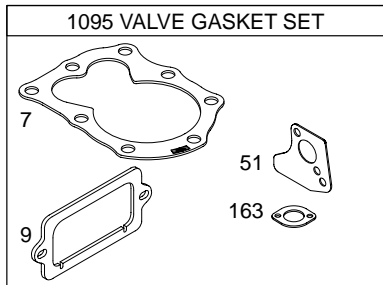
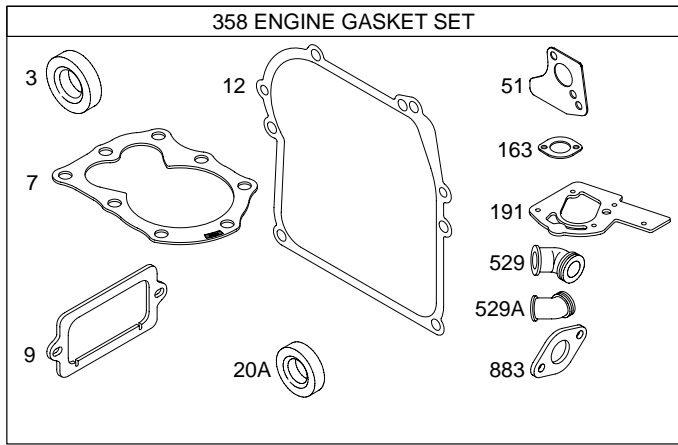
Air Cleaner	6
Blower Housing	8
Cam	2
Carburetor	4
Controls	5
Crankcase Cover/Sump	3
Crankshaft	2
Cylinder	2
Flywheel	7
Fuel Tank	4
Gear Reducer	3
Governor Spring	5
Head	2
Ignition	5
Kits/Gaskets – Carburetor	4
Kits/Gaskets – Valves	2
Muffler	6
Piston Group	2
Rewind Starter	7
Rewind Starter	8
Valves	2

PRINTED IN U.S.A.



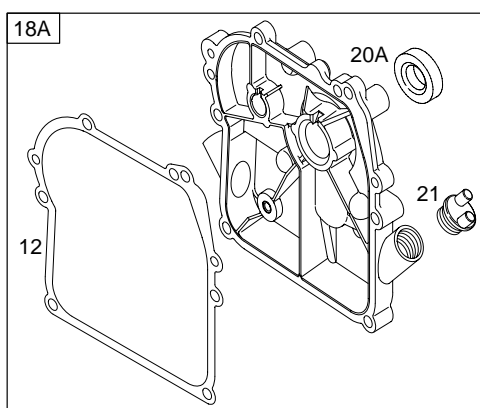
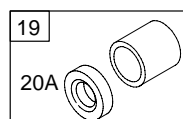
COPYRIGHT by BRIGGS & STRATTON CORPORATION
All rights reserved. No part of this material may be reproduced or transmitted, in any form or by any means, electronic or mechanical, including photocopying, recording or by any information storage and retrieval system, without permission in writing from Briggs & Stratton Corporation.

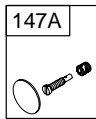
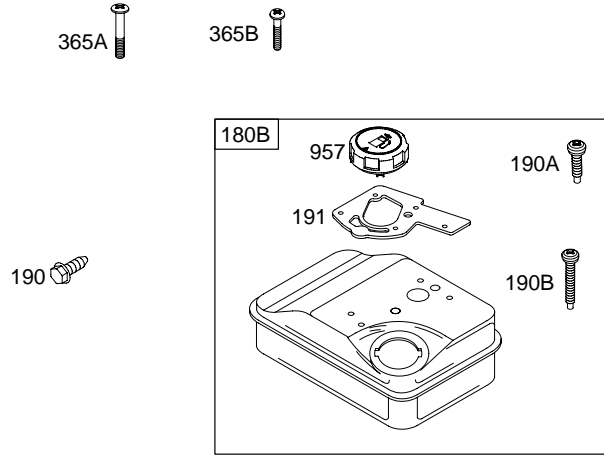
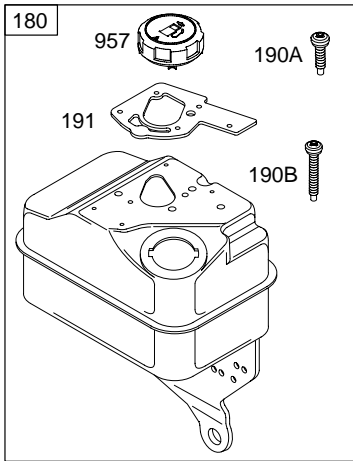
94200



- 1019 LABEL KIT
- 1058 OPERATOR'S MANUAL
- 1330 REPAIR MANUAL

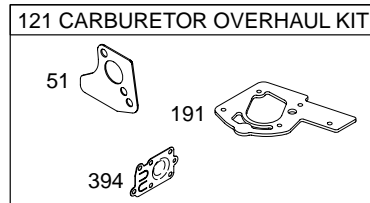
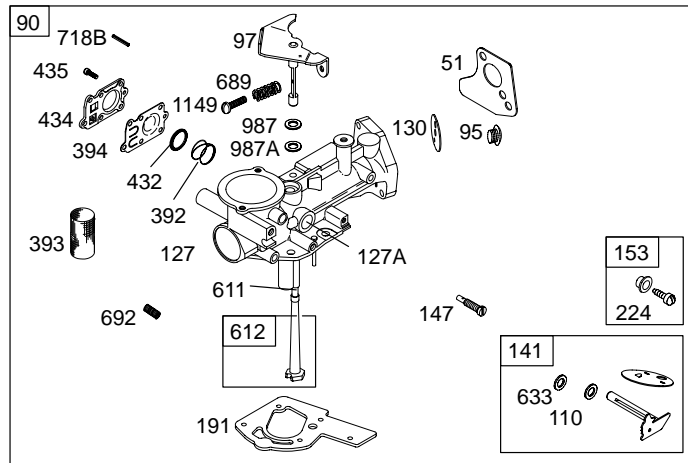
Illustrations cover a range of engines. Parts shown without corresponding text may not be used on your specific engine.
 5529-2 Assemblies include all parts shown in frames. 05/10/2004

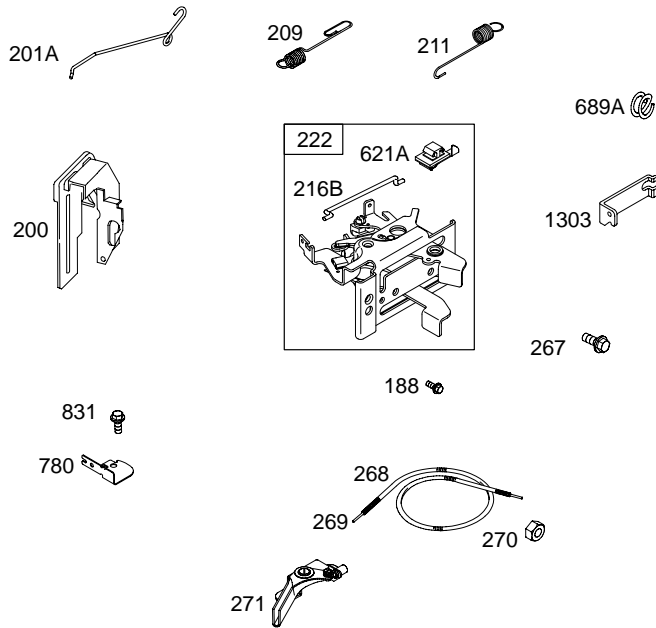
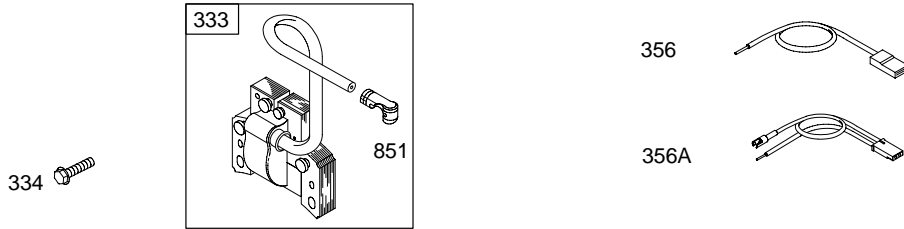




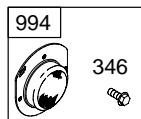
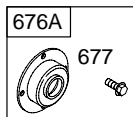
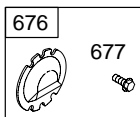
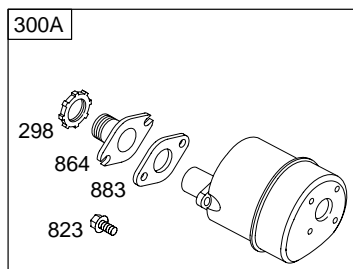
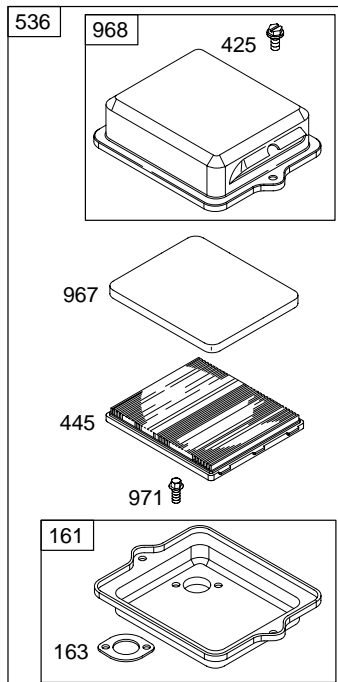
365

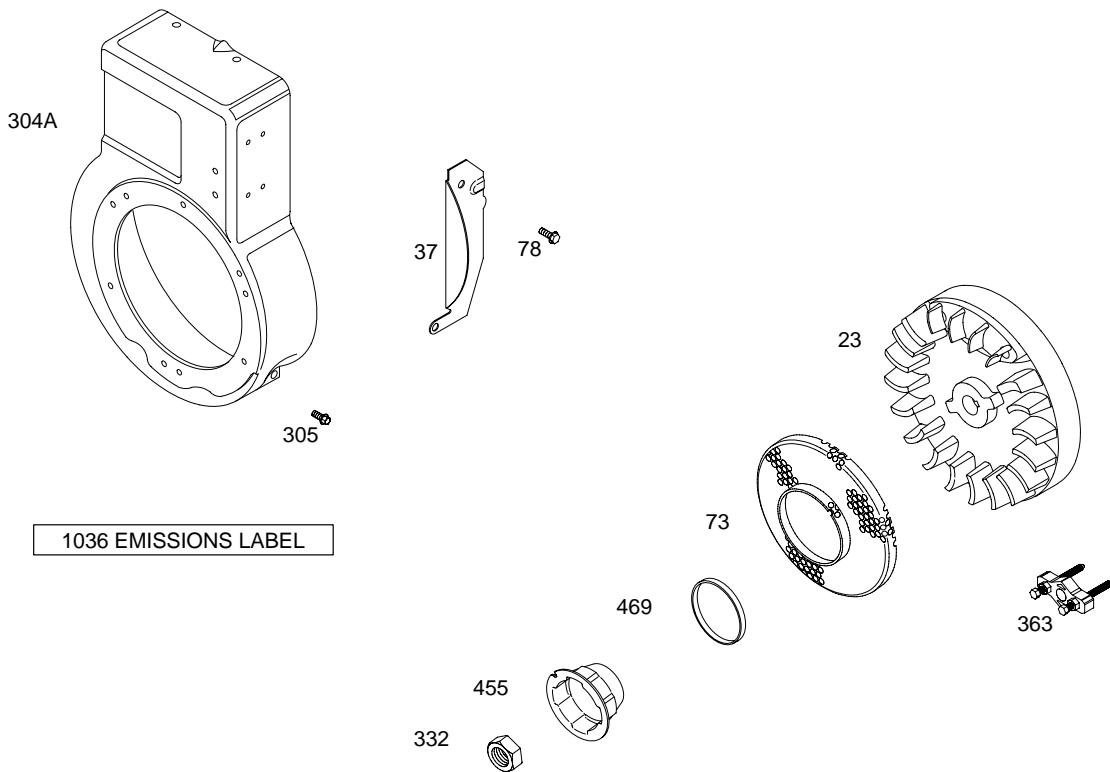
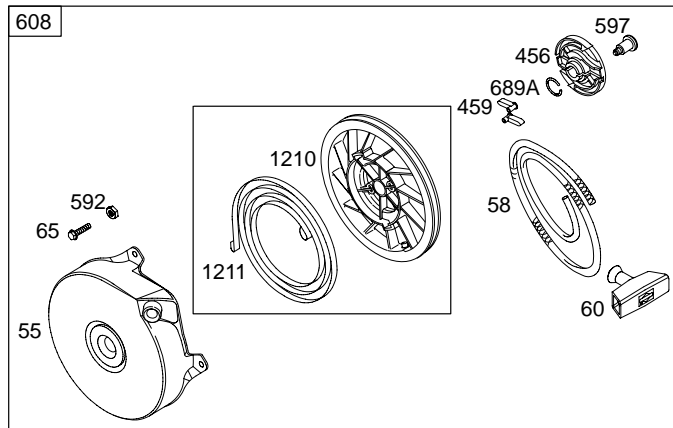
<p>Carburetor Mounting Surface</p> <p>Pickup Tube</p> <p>D</p>			
<p>To replace carburetor assembly, determine fuel tank capacity as shown.</p>			
Fuel Tank Capacity (Quarts)	1	2	3
D (Inches)	2-5/16	4-1/4	4-7/8





5529-5 *Illustrations cover a range of engines. Parts shown without corresponding text may not be used on your specific engine.* Assemblies include all parts shown in frames. 05/10/2004





Illustrations cover a range of engines. Parts shown without corresponding text may not be used on your specific engine.
5529-7 Assemblies include all parts shown in frames. 05/10/2004

94200

REF. NO.	PART NO.	DESCRIPTION	REF. NO.	PART NO.	DESCRIPTION	REF. NO.	PART NO.	DESCRIPTION
1	494549	Cylinder Assembly	20A	★299819	Seal–Oil (PTO Side) (Plain Bearing Cover)	27	691588	Lock–Piston Pin
2	399269	Kit–Bushing/Seal (Magneto Side)			Note	28	298909	Pin–Piston (Standard)
3	★299819	Seal–Oil (Magneto Side)			692020 Seal–Oil (PTO Side) (Ball Bearing Cover) Used on Type No(s). 0120, 0205, 0319.			Note 298908 Pin–Piston (.005" Oversize)
5	690386	Head–Cylinder				29	294367	Rod–Connecting (Standard)
7	★Ø692288	Gasket–Cylinder Head						Note 296079 Rod– Connecting (.020" Undersize)
8	495774	Breather Assembly	21	281658	Cap–Oil Fill	30	691719	Dipper–Connecting Rod
9	★Ø695890	Gasket–Breather	22	691129	Screw (Crankcase Cover/Sump)	32	691664	Screw (Connecting Rod)
10	691666	Screw (Breather Assembly)			Note 693732 Screw (Crankcase Cover/Sump) (Used In Positions 1 and 6) Used on Type No(s). 0120, 0205, 0319.	33	296676	Valve–Exhaust
11	692528	Tube–Breather				34	296677	Valve–Intake
12	★692218	Gasket–Crankcase (.015" Thick, Standard)				35	690520	Spring–Valve (Intake)
		Note ★270895 Gasket– Crankcase (.005" Thick) ★270896 Gasket– Crankcase (.009" Thick)	23	690843	Flywheel	36	690520	Spring–Valve (Exhaust)
13	691640	Screw (Cylinder Head)			Note 496893 Flywheel Used on Type No(s). 0117.	37	690463	Guard–Flywheel
15	691686	Plug–Oil Drain (Square Head)				40	692194	Retainer–Valve
15A	691682	Plug–Oil Drain (Hex Socket)	24	222698	Key–Flywheel	45	691762	Tappet–Valve
16	492880	Crankshaft Used on Type No(s). 0104, 0115, 0118.	25	498668	Piston Assembly (Standard)	46	691998	Camshaft
		Note 691474 Crankshaft Used on Type No(s). 0117. 493632 Crankshaft Used on Type No(s). 0319. 691473 Crankshaft Used on Type No(s). 0119, 0120, 0205.			Note 498669 Piston Assembly (.010" Oversize) 498670 Piston Assembly (.020" Oversize) 498671 Piston Assembly (.030" Oversize)	51	Ø★273113	Gasket–Intake
18A	394820	Cover–Crankcase	26	695169	Ring Set (Standard)	55	692144	Housing–Rewind Starter
		Note 496679 Cover– Crankcase Used on Type No(s). 0120, 0205, 0319.			Note 695171 Ring Set (.010" Oversize) 695172 Ring Set (.020" Oversize) 695173 Ring Set (.030" Oversize)	58	697316	Rope–Starter (Cut to Required Length)
19	399269	Kit–Bushing/Seal (PTO Side)				60	691915	Grip–Starter Rope
						65	690837	Screw (Rewind Starter)
						73	694018	Screen–Rotating
						78	690364	Screw (Flywheel Guard)
						90	499952	Carburetor Used on Type No(s). 0115, 0117, 0118.
								Note 499492 Carburetor Used on Type No(s). 0319. 499953 Carburetor Used on Type No(s). 0104, 0119, 0120, 0205.

★ Engine Gasket Set–Reference 358.
● Carburetor Overhaul Kit–Reference 121.

◆ Carburetor Gasket Set–Reference 977.
Ø Valve Gasket Set–Reference 1095.

Illustrations cover a range of engines. Parts shown without corresponding text may not be used on your specific engine.
5529–8 Assemblies include all parts shown in frames. 05/10/2004

REF. NO.	PART NO.	DESCRIPTION	REF. NO.	PART NO.	DESCRIPTION	REF. NO.	PART NO.	DESCRIPTION
95	691437	Screw (Throttle Valve)	209	692205	Spring-Governor (No Color)	356	692390	Wire-Stop
97	692018	Shaft-Throttle			Used on Type No(s). 0104, 0115, 0117, 0118.	356A	695283	Wire-Stop
110	690401	Washer (Choke Shaft)				358	495605	Gasket Set-Engine
121	495606	Kit-Carburetor Overhaul			Note	363	19069	Puller-Flywheel
127	691718	Plug-Welch (Carburetor)			690563 Spring-Governor (White)	365	690953	Screw (Carburetor)
127A	691742	Plug-Welch (Mixing Chamber)			Used on Type No(s). 0119, 0120, 0205, 0319.	365A	691687	Screw (Carburetor) (1 3/4" Long)
130	691743	Valve-Throttle				365B	692200	Screw (Carburetor) (3/4" Long)
141	497230	Kit-Choke Shaft	211	691289	Spring-Governed Idle	383	89838	Wrench-Spark Plug
147	691250	Jet-Pilot (Standard)	216B	692904	Link-Choke	392	691823	Spring-Pump Diaphragm
147A	499502	Jet-Pilot (High Altitude)	222	699132	Bracket-Control	393	691213	Screen-Carburetor
153	490501	Kit-Collar/Screw	224	690320	Screw (Collar/Screw Kit)	394	272538	Diaphragm-Carburetor
161	694484	Base-Air Cleaner (Metal)	267	691082	Screw (Casing Clamp)	425	694515	Screw (Air Cleaner Cover)
163	271935	Gasket-Air Cleaner	268	691025	Casing-Control Wire (Cut to Required Length)	432	690766	Cap-Spring
180	495377	Tank-Fuel (2 Quart) (Air Vane)	269	691026	Wire-Control (Cut to Required Length)	434	691713	Cover-Diaphragm
		Note	270	691027	Nut (Control Wire Casing)	435	691619	Screw (Diaphragm Cover)
		495391 Tank-Fuel (3 Quart) (Air Vane)	271	691028	Lever-Control	445	491588	Filter-Air Cleaner Cartridge
180B	495370	Tank-Fuel (1 Quart) (Air Vane)	298	691720	Locknut-Muffler/Elbow	455	691236	Cup-Flywheel
188	692200	Screw (Control Bracket)	300A	493288	Muffler	456	692299	Plate-Pawl Friction
190	691685	Screw (Fuel Tank) (2 Quart)	304A	693004	Housing-Blower	459	281505	Pawl-Ratchet
190A	692200	Screw (Fuel Tank) (3 Quart)	305	692198	Screw (Blower Housing)	469	694420	Ring-Rotating Trim
190B	691687	Screw (Fuel Tank) (3 Quart)	306	690461	Shield-Cylinder	527	691741	Clamp-Tube
191	692241	Gasket-Fuel Tank	307	691660	Screw (Cylinder Shield)	529	692189	Grommet (90 Degree)
200	498770	Blade-Governor	308	690462	Cover-Cylinder Head	529A	692187	Grommet (45 Degree)
201A	691305	Link-Air Vane	332	690662	Nut (Flywheel)	536	494279	Cleaner-Air
			333	496914	Armature-Magneto	592	690800	Nut (Rewind Starter)
			334	691061	Screw (Magneto Armature)	597	691696	Screw (Pawl Friction Plate)
			337	802592	Plug-Spark	608	690101	Starter-Rewind
			346	690661	Screw (Spark Arrester)			

★ Engine Gasket Set-Reference 358.

● Carburetor Overhaul Kit-Reference 121.

◆ Carburetor Gasket Set-Reference 977.

∅ Valve Gasket Set-Reference 1095.

Illustrations cover a range of engines. Parts shown without corresponding text may not be used on your specific engine.

94200

REF. NO.	PART NO.	DESCRIPTION	REF. NO.	PART NO.	DESCRIPTION	REF. NO.	PART NO.	DESCRIPTION
611	690507	Pipe–Fuel Used on Type No(s). 0115, 0117, 0118. Note 691770 Pipe–Fuel Used on Type No(s). 0104, 0119, 0120, 0205.	831	691099	Screw (Spring Anchor)	1036	696764	Label–Emissions (Used After Code Date 01093000).
612	391813	Tube–Pickup Note 297219 Tube–Pickup Used on Type No(s). 0319.	851	493880	Terminal–Spark Plug			Note
621A	692310	Switch–Stop	864	690776	Adapter–Muffler			695097 Label– Emissions (Used Before Code Date 01100100 and After Code Date 99093000).
633	691869	Seal–Choke/Throttle Shaft	869	691701	Seat–Valve (Intake)			694421 Label– Emissions (Used Before Code Date 99100100 and After Code Date 98123100).
635	66538	Boot–Spark Plug	870	691702	Seat–Valve (Exhaust)			499329 Label– Emissions (Used Before Code Date 99010100 and After Code Date 97063000).
676	393756	Deflector–Muffler	871	262001	Bushing–Valve Guide (Exhaust) Note 63709 Bushing–Valve Guide (Intake)	1058	274778	Owner's Manual
676A	397931	Deflector–Muffler	883	★691314	Gasket–Exhaust	1095	692638	Gasket Set–Valve Screw
677	690661	Screw (Muffler Deflector)	957	494559	Cap–Fuel Tank	1149	691624	Screw (Idle Speed Adjusting)
689	691783	Spring–Friction (Carburetor)	967	491435	Filter–Pre Cleaner	1210	499901	Pulley/Spring Assembly (Pulley)
689A	691855	Spring–Friction (Rewind Starter)	968	692321	Cover–Air Cleaner	1211	499901	Pulley/Spring Assembly (Spring)
692	690572	Spring–Detent	971	690370	Screw (Air Cleaner Base to Carburetor)	1303	690594	Clamp–Speed Control
718	690959	Pin–Locating	987	692279	Seal–Throttle Shaft	1330	270962	Repair Manual
718A	499047	Pin–Locating (Timing Gear)	987A	270167	Seal–Throttle Shaft			
718B	690296	Pin–Locating (Diaphragm Cover)	994	398067	Arrestor–Spark			
741	691805	Gear–Timing	1019	491069	Kit–Label			
780	691211	Anchor–Spring						
823	692336	Screw (Muffler Adapter)						

★ Engine Gasket Set–Reference 358.
● Carburetor Overhaul Kit–Reference 121.

◆ Carburetor Gasket Set–Reference 977.
∅ Valve Gasket Set–Reference 1095.

Illustrations cover a range of engines. Parts shown without corresponding text may not be used on your specific engine.
5529–10 Assemblies include all parts shown in frames. 05/10/2004