

94500 to 94599

Illustrated Parts List

Model Series

94500 to 94599

NON-COMPLIANCE

TYPE NUMBERS
0105 and 0117
0150 through 0160

TO FIND

THE CORRECT NUMBER OF THE PART YOU NEED:

FOLLOW THE INSTRUCTIONS BELOW

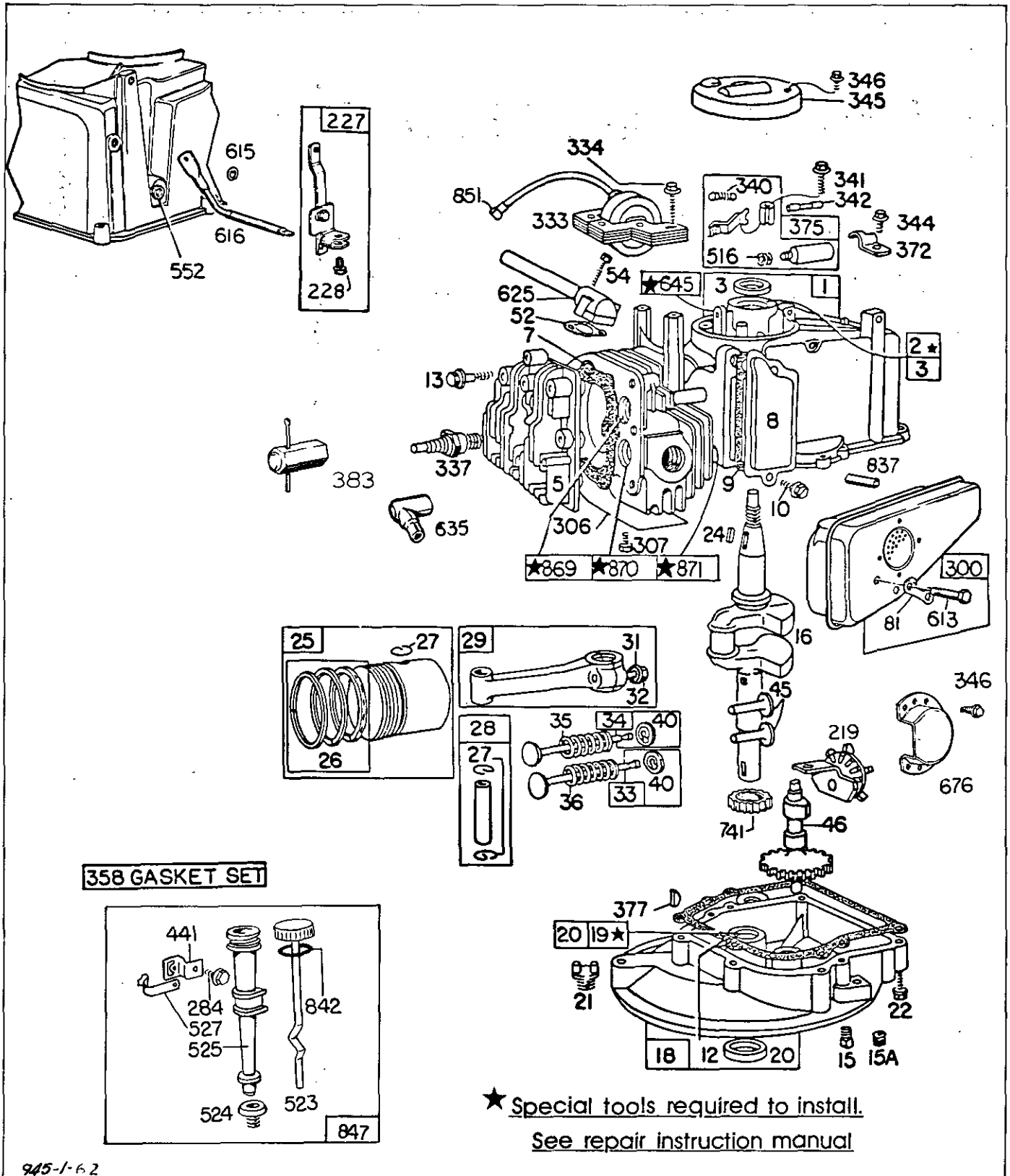
- A. Refer to Engine Model, Type and Code Number that is stamped on the blower housing of engine. Engine type numbers such as 012301 are listed herein only as 0123. The two digits (01 or 02, etc.) to the right of the space are not needed for parts identification. Then use the Illustrated Parts List covering the Model Series.
- B. Refer to Illustrated Parts section and compare the old part with illustration. The number on the illustration is the Reference Number. Assemblies include all parts shown in frames. All parts shown in assembly frames on which individual reference numbers are given can be purchased separately.
- C. After the Reference Number has been identified, refer to the Numerical Parts List, where Reference and Master Part Number are listed. **THE MASTER PART IS USED ON ALL TYPE NUMBERS EXCEPT THOSE TYPE NUMBERS UNDER "NOTE"**.
- D. If a "Note" appears below the Master Part Number, this means that this part differs from the Master Part for certain types. If the Type number is listed under "Note", order the part referred to.
- E. If the Engine Type Number does not appear after any part number listed under "Note", use the Master Part Number.
- F. For Type Numbers higher than those covered by this book, please refer to the factory if you are unable to identify the part by comparison.

PRINTED IN U.S.A.

COPYRIGHT©

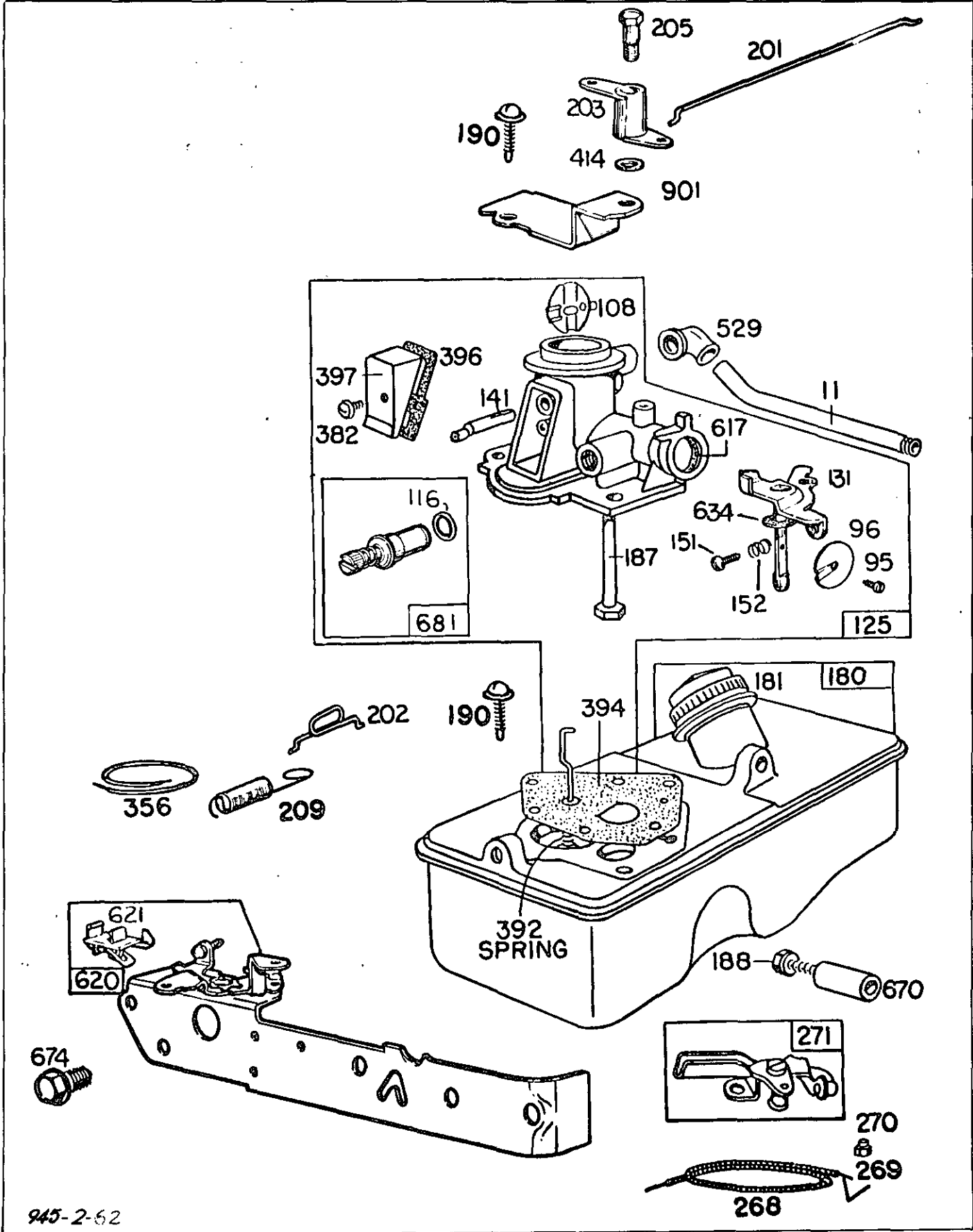


94500 to 94599



945-1-6.2

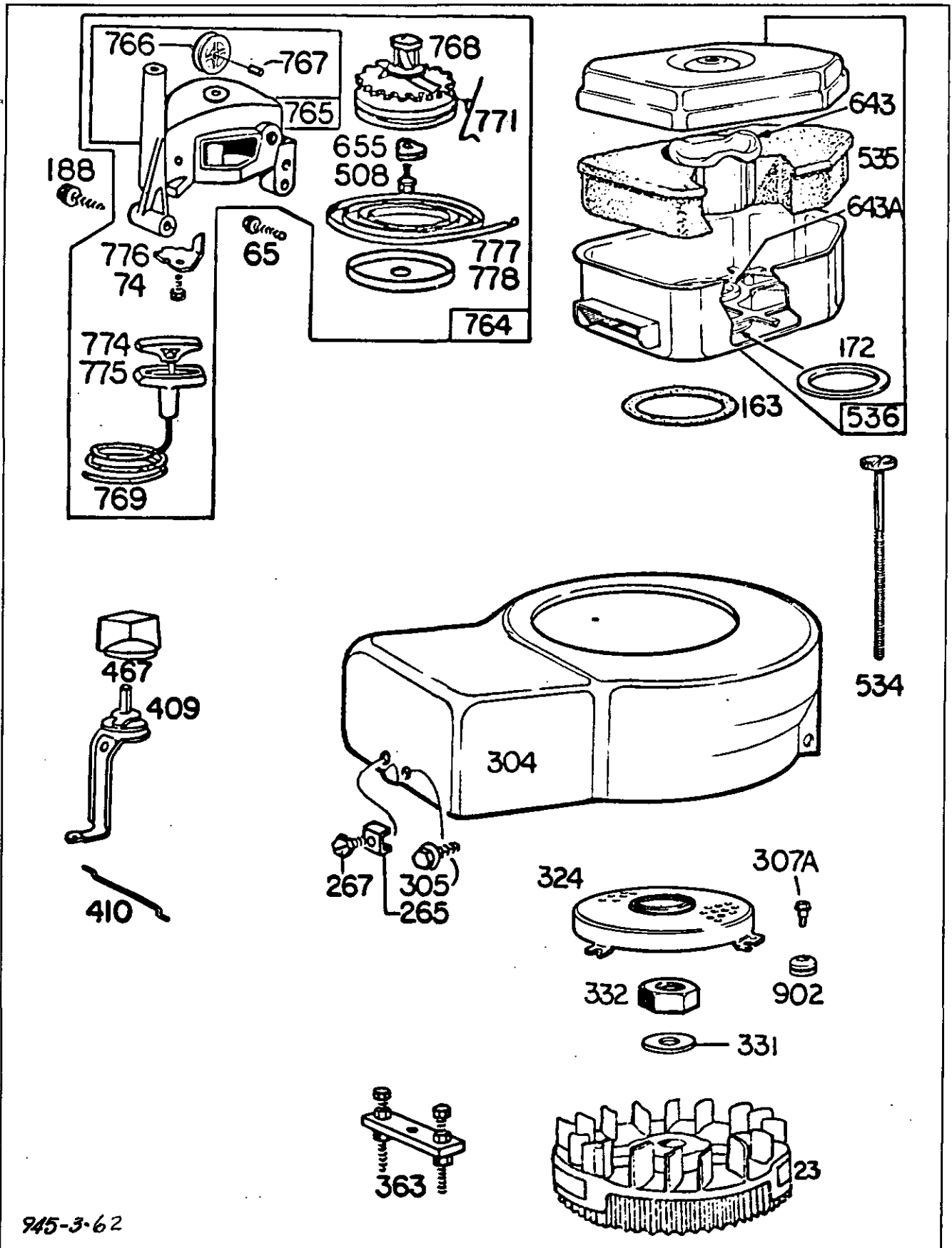
Assemblies include all parts shown in frames.



945-2-62

Assemblies include all parts shown in frames.

94500 to 94599



945-3-62

Assemblies include all parts shown in frames.

94500 to 94599

| REF. NO. | PART NO. | DESCRIPTION | REF. NO. | PART NO. | DESCRIPTION | REF. NO. | PART NO. | DESCRIPTION |
|----------|--------------|---|----------------------------------|--------------|---|----------|--------------|--|
| 1 | 394094 | Cylinder Assembly | MODEL 94500 SERIES PISTON | | | 152 | 260746 | Spring—Throttle Adj. |
| 2 | 293708 | Bushing—Cylinder | RING SETS: | | | 163 | 271139 | Gasket—Air Cleaner—Mounting |
| | Note: | Requires special tools for installation. | | Note: | For Chrome Piston Ring Set—Standard Size—order Part No. 299742. | 172 | 271273 | Gasket—Air Cleaner |
| 3 | 299819 | Seal—Oil | | | | 180 | 393113 | Tank Assembly—Fuel |
| 5 | 211479 | Head—Cylinder | | | | 181 | 298425 | Cap—Fuel Tank |
| 7 | *270341 | Gasket—Cylinder Head | 26 | 298982 | Ring Set—Standard Piston | 187 | 393001 | Pipe—Fuel |
| 8 | 298383 | Breather—Valve Chamber | | 298983 | Ring Set—.010" O.S. Piston | 188 | 93585 | Screw—Fuel Tank and Starter Mounting |
| 9 | *270239 | Gasket—Valve Cover | | 298984 | Ring Set—.020" O.S. Piston | 190 | 93440 | Screw—Fuel Tank Mounting Sem |
| 10 | 93394 | Screw—Breather Cover Mtg. Sem | | 298985 | Ring Set—.030" O.S. Piston | 201 | 261539 | Link—Governor |
| 11 | 230802 | Tube—Breather | | | | 202 | 261541 | Link—Throttle |
| 12 | *270833 | Gasket—Crankcase—.015" thick (Standard) | 27 | 26026 | Lock—Piston Pin | 203 | 280272 | Crank—Bell |
| | *270895 | Gasket—Crankcase—.005" thick | 28 | 298909 | Pin Assembly—Piston—Standard | 205 | 93838 | Screw—Shoulder |
| | *270896 | Gasket—Crankcase—.009" thick | | 298908 | Pin Assembly—Piston—.005" O.S. | 209 | 261542 | Spring—Governor For 3000 to 3200 RPM Top Speed Set - No Load |
| 13 | 93111 | Screw—Cylinder Head (1-15/16" long) | 29 | 294201 | Rod Assy.—Connecting | 219 | 394044 | Oil Slinger Assembly |
| 15 | 91084 | Plug—Oil Drain (Square Head) | | Note: | For Connecting Rod with .020" undersize Crankpin Bore—order No. 296079. | 227 | 394115 | Lever Assy.—Governor |
| 15A | 93418 | Plug—Oil Drain (Socket Head) | | | | 228 | 93758 | Screw—Hex. Hd. |
| 16 | 394030 | Crankshaft | 31 | 222282 | Washer—Connecting Rod Screw | 265 | 22372 | Clamp—Casing |
| | Note: | 394322 Crankshaft Use on Type Nos. 0152, 0160. | 32 | 92296 | Screw—Connecting Rod | 267 | 93469 | Screw—Clamp Mtg. |
| | | 394371 Crankshaft Used on Type Nos. 0154, 0159. | 33 | 296676 | Valve—Exhaust | 268 | 66986 | Casing—Control Wire—48" long |
| 18 | 394157 | Sump—Oil | 34 | 296677 | Valve—Intake | | Note: | If longer casing is needed, specify length in inches; if a shorter casing is needed, order No. 66986 and cut to required length. |
| 19 | 293709 | Bushing—Oil Sump | 35 | 260552 | Spring—Intake Valve | | | |
| | Note: | Requires special tools for installation. | 36 | 26478 | Spring—Exhaust Valve | 269 | 26099 | Wire—Control, 54" long |
| 20 | 391483 | Seal—Oil | 40 | 93312 | Retainer—Valve Spring | | Note: | If longer wire is needed, specify length in inches; if shorter wire is needed, order No. 26099 and cut to required length. |
| 21 | 66768 | Plug—Oil Filler | 45 | 230173 | Tappet—Valve | | | |
| 22 | 93032 | Screw—Sump Mtg. Sem | 46 | 210453 | Gear—Cam | 270 | 63426 | Locknut—Control Wire Casing |
| 23 | 394032 | Flywheel—Magneto | 52 | *270345 | Gasket—Intake Elbow | | | |
| 24 | 61760 | Key—Flywheel | 54 | 93485 | Screw—Intake Elbow Mounting | 271 | 290568 | Lever Assy.—Control |
| 25 | 298904 | Piston Assy.—Standard | 65 | 93587 | Screw—Vertical Pull Starter Mounting | 284 | 93572 | Screw—Clamp Mtg. |
| | 298905 | Piston Assy.—.010" O.S. | 74 | 93490 | Screw—Sem | 300 | 394644 | Muffler—Exhaust |
| | 298906 | Piston Assy.—.020" O.S. | 81 | 223256 | Lock—Muffler Screw | 304 | 394249 | Housing—Blower (For Vertical Pull Starter) |
| | 298907 | Piston Assy.—.030" O.S. | 95 | 93499 | Screw—Throttle Valve Mounting Sem | | | Used on Model 94508 Series. |
| | | | 96 | 211203 | Valve—Throttle | 305 | 93559 | Screw—Blower Housing Mounting Sem |
| | | | 97 | 298821 | Shaft and Lever—Throttle | 306 | 223048 | Shield—Cylinder |
| | | | 108 | 280178 | Valve—Choke | | | |
| | | | 116 | 280203 | Seal—O-Ring | | | |
| | | | 125 | 394224 | Carburetor Assembly | | | |
| | | | 131 | 394146 | Shaft and Lever—Throttle | | | |
| | | | 141 | 68908 | Shaft—Choke | | | |
| | | | 151 | 93524 | Screw—Machine, Rd. Hd.—5-40 x 1/2" | | | |

*Included in Gasket Set—Part No. 298989.

94500 to 94599

| REF. NO. | PART NO. | DESCRIPTION | REF. NO. | PART NO. | DESCRIPTION | REF. NO. | PART NO. | DESCRIPTION |
|----------|------------------|--|----------|--------------|--|----------|----------|------------------------------------|
| 307 | 93490 | Screw—Cylinder Shield Mounting Sem | 392 | 261016 | Spring—Diaphragm | 643A | 280268 | Support—Air Cleaner Element |
| 307A | 93926 | Screw—Shoulder | 394 | 299637 | Diaphragm—Carburetor | 645 | 23513 | Bushing—Plunger |
| 324 | 223006 | Screen—Rotating | 396 | 270571 | Gasket—Choke Link Cover | 655 | 222057 | Anchor—Spring |
| 331 | 223047 | Washer—Flywheel | 397 | 211678 | Cover—Choke Link | 670 | 93912 | Spacer—Fuel Tank |
| 332 | 92284 | Nut—Flywheel | 409 | 299839 | Control—Dial | 674 | 93559 | Screw—Tank to Bracket |
| 333 | 298502 | Armature—Magneto | 410 | 260993 | Link—Control | 676 | 222238 | Deflector—Muffler (Side Outlet) |
| 334 | 93381 | Screw—Armature Mounting Sem | 414 | 220982 | Washer | 681 | 395508 | Needle Valve |
| 337 | 298809 | Plug—Spark 1-1/2" High—(37-42 mm.) | 441 | 222530 | Bracket—Oil Fill Tube | 741 | 261533 | Gear—Timing |
| | Note: | 29693 Plug—Spark 2" High—(51 mm.) | 467 | 299858 | Knob—Dial Control | 764 | 391486 | Starter Assembly—Vertical Pull |
| | | 293918 Plug—Spark (Resistor Type) 1-1/2" High—(37 mm.) | 508 | 93158 | Screw—Sem | 765 | 299947 | Housing—Vertical Pull Starter |
| 340 | 26018 | Spring—Breaker Arm | 516 | 260374 | Spring—Connector (Condenser Post) | 766 | 280022 | Pulley—Rope (Small) |
| 341 | 93381 | Screw—Breaker Arm Mounting Sem | 523 | 391838 | Cap with Dipstick—Oil Filler | 767 | 231048 | Pin—Small Rope Pulley (7/16- long) |
| 342 | 65704 | Plunger—Breaker Point | | Note: | For complete Oil Fill Cap with Dipstick and Oil Filler Tube Assy.—order Part 392055. | 768 | 299948 | Pulley and Gear Assy. |
| 344 | 93042 | Screw—Condenser Clamp Mounting Sem | 524 | 68838 | Seal—Filler Tube | 769 | 66734 | Rope—Vertical Pull Starter |
| 345 | 220366 | Cover—Breaker Point and Condenser | 525 | 280131 | Tube—Oil Filler | 771 | 299961 | Clip—Vertical Pull Starter |
| 346 | 93705 | Screw—Hex. Hd. Sem | 527 | 222548 | Clamp—Oil Filler Tube | 774 | 280121 | Insert—Starter Handle |
| 356 | 298479 | Wire—Ground | 529 | 67838 | Grommet—Breather | 775 | 280036 | Grip—Starter Rope |
| 358 | 298989 | Gasket Set | 534 | 93928 | Screw—Air Cleaner | 776 | 222094 | Guide—Rope |
| 363 | 19069 | Puller—Flywheel (Optional Accessory) | 535 | 270579 | Element—Air Cleaner | 777 | 390066 | Spring—Vertical Pull Starter |
| 372 | 220477 | Clamp—Condenser | 536 | 394214 | Cleaner Assembly—Air | 778 | 280021 | Cover—Vertical Pull Starter Cover |
| 375 | 294628 | Breaker Points and Condenser Set | 552 | 230732 | Bushing—Governor Shaft | 837 | 222241 | Spacer—Muffler Mtg. |
| | Note: | 299061 Ignition Kit | 613 | 93935 | Screw—Muffler Mounting | 842 | 270920 | Seal—Oil Filler Cap |
| | Includes: | 294628 Point Set | 615 | 93307 | Retainer—E-Ring | 847 | 392055 | Tube Assy.—Oil Fill |
| | | 65704 Plunger | 616 | 394075 | Crank—Governor | 851 | 221798 | Terminal—Ignition Cable |
| | | 61760 Key—Flywheel | 617 | 270344 | Seal—Intake Tube | 869 | 210879 | Seat—Intake Valve (Standard) |
| 377 | 93065 | Key—Woodruff, No. 6 | 620 | 394056 | Plate—Carburetor Control | 870 | 211291 | Seat—Exhaust Valve (Standard) |
| 382 | 93864 | Screw—Choke Link Cover | 621 | 297472 | Switch—Stop | 871 | 63709 | Guide—Exhaust Valve |
| 383 | 89838 | Wrench—Spark Plug | 625 | 298775 | Tube—Fuel Intake | 901 | 223013 | Bracket—Bell Crank |
| | | | 634 | 270167 | Washer—Throttle Shaft (Felt) | 902 | 280271 | Grommet—Screen |
| | | | 635 | 66538 | Elbow—Spark Plug | | | |
| | | | 643 | 222991 | Cup—Air Cleaner | | | |

*Included in Gasket Set—
Part No. 298989.

