

**94900 to 94999**

# Illustrated Parts List

## Model Series

# 94900 to 94999

## NON-COMPLIANCE

TYPE NUMBERS  
0015 through 0017  
0050 through 0052  
0117 and 0136  
0150 through 0201  
and 9137

### TO FIND

**THE CORRECT NUMBER OF THE PART YOU NEED:**

### FOLLOW THE INSTRUCTIONS BELOW

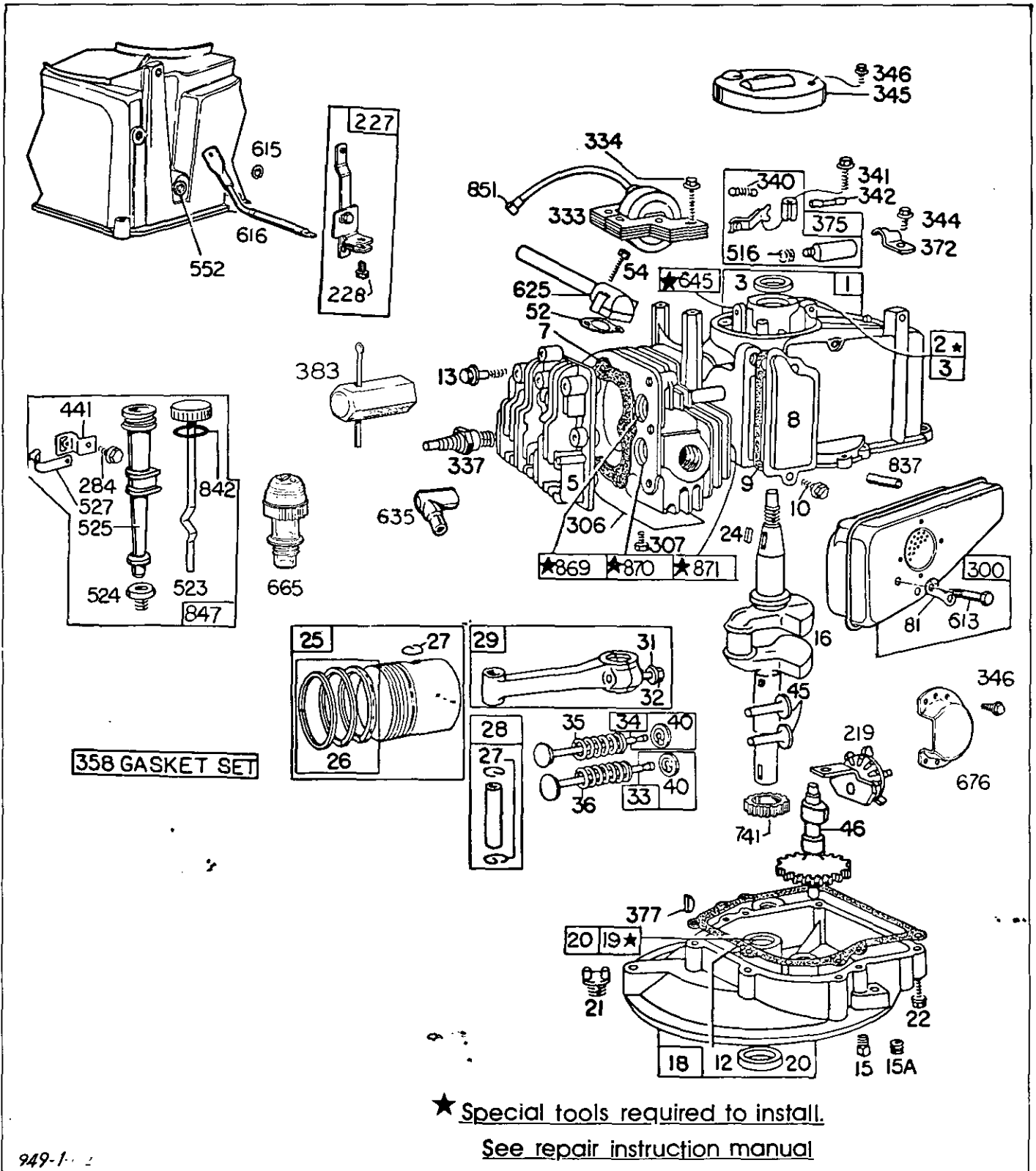
- A. Refer to Engine Model, Type and Code Number that is stamped on the blower housing of engine. Engine type numbers such as 012301 are listed herein only as 0123. The two digits (01 or 02, etc.) to the right of the space are not needed for parts identification. Then use the Illustrated Parts List covering the Model Series.
- B. Refer to Illustrated Parts section and compare the old part with illustration. The number on the illustration is the Reference Number. Assemblies include all parts shown in frames. All parts shown in assembly frames on which individual reference numbers are given can be purchased separately.
- C. After the Reference Number has been identified, refer to the Numerical Parts List, where Reference and Master Part Number are listed. **THE MASTER PART IS USED ON ALL TYPE NUMBERS EXCEPT THOSE TYPE NUMBERS UNDER "NOTE"**.
- D. If a "Note" appears below the Master Part Number, this means that this part differs from the Master Part for certain types. If the Type number is listed under "Note", order the part referred to.
- E. If the Engine Type Number does not appear after any part number listed under "Note", use the Master Part Number.
- F. For Type Numbers higher than those covered by this book, please refer to the factory if you are unable to identify the part by comparison.

PRINTED IN U.S.A.

COPYRIGHT ©

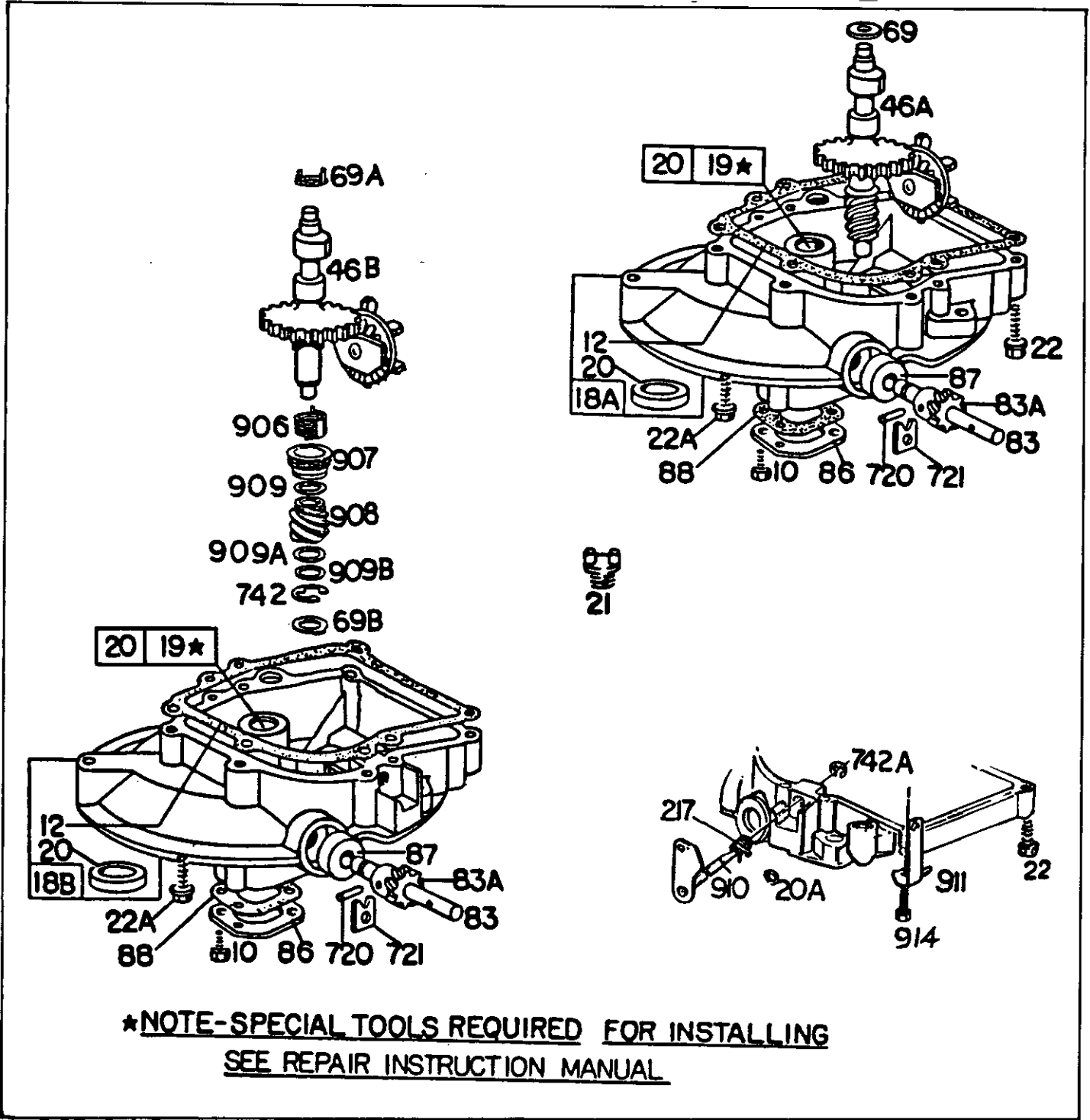


# 94900 to 94999



949-1...

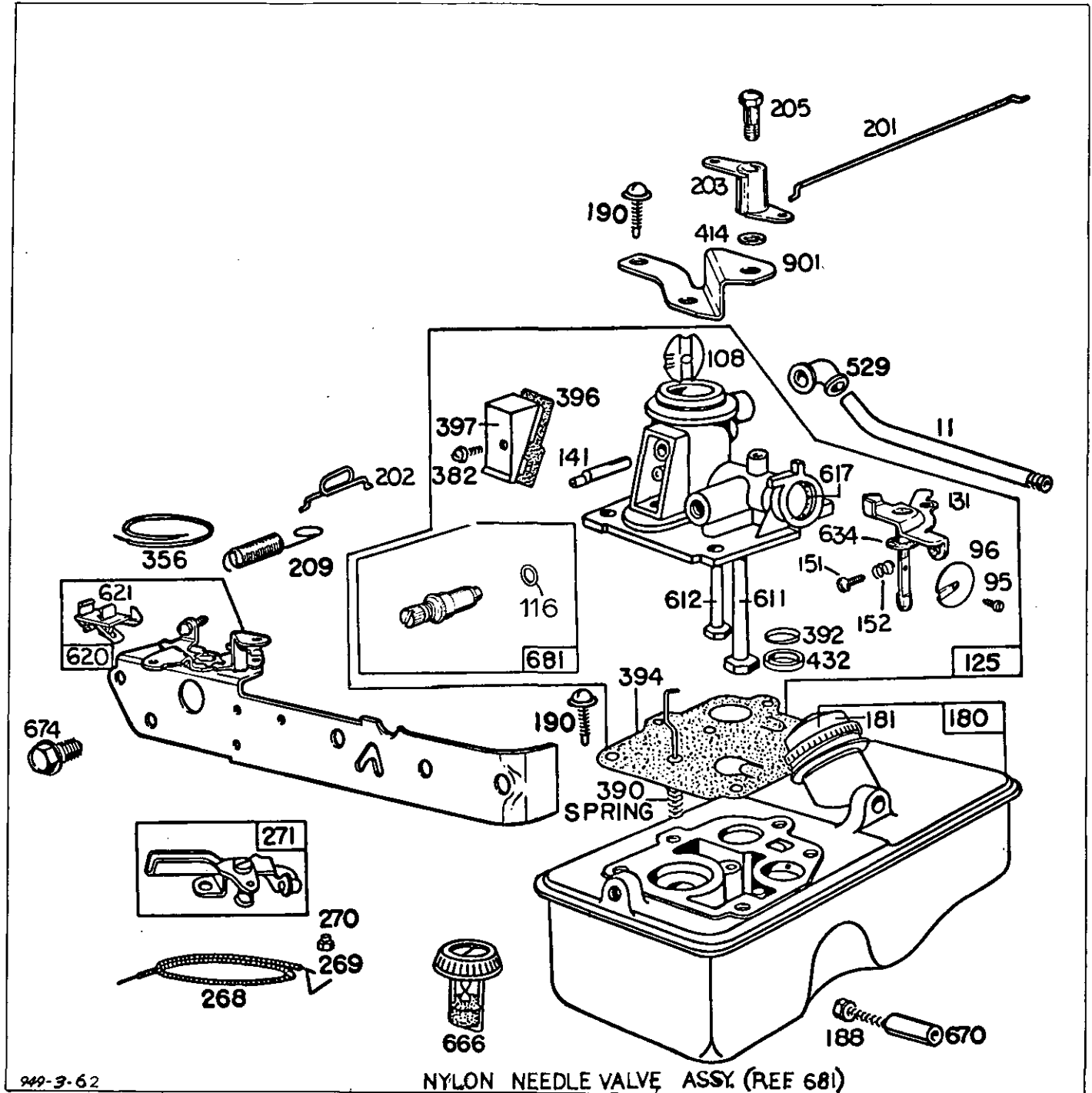
Assemblies include all parts shown in frames.



949-2-62

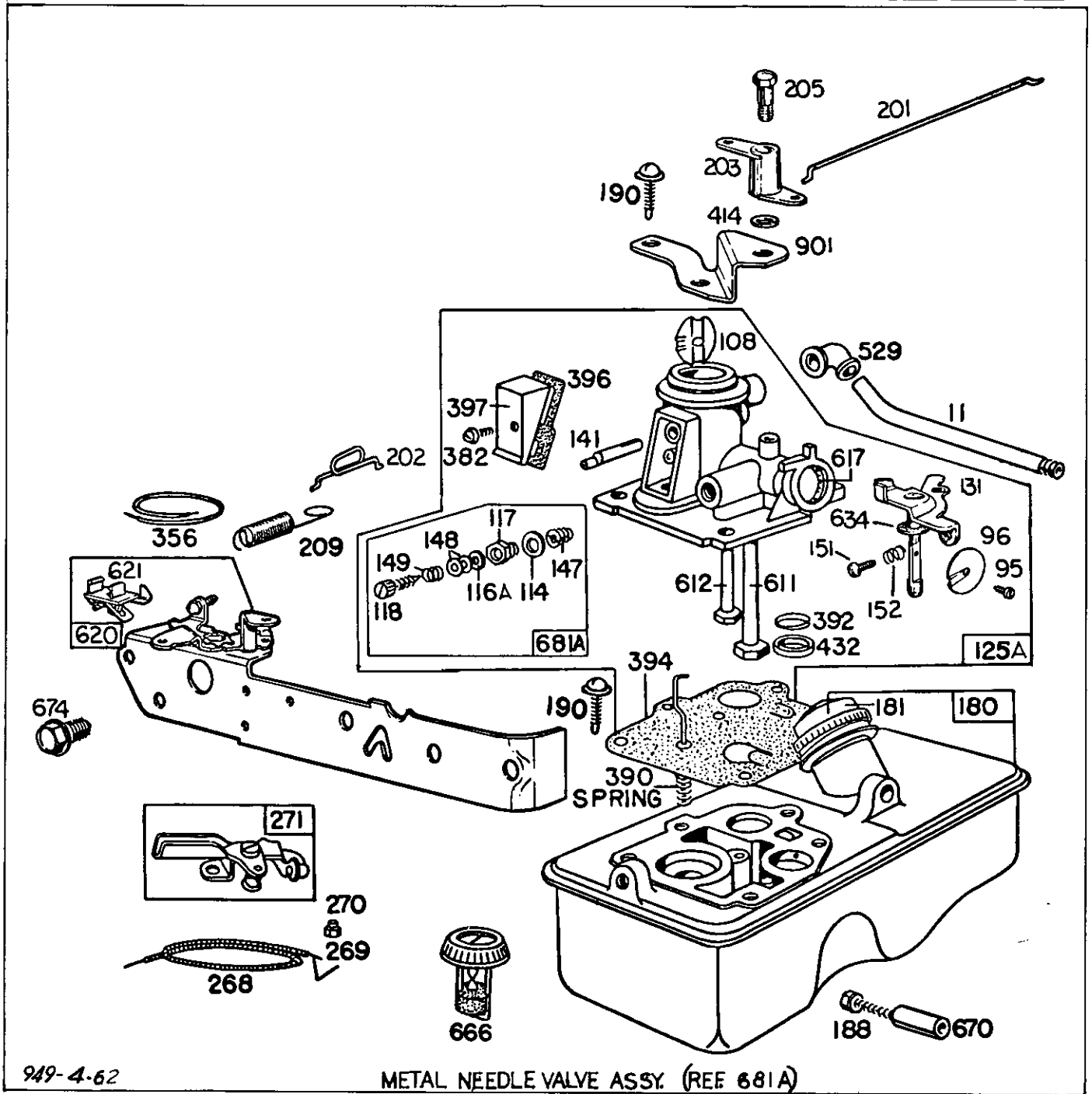
Assemblies include all parts shown in frames.

# 94900 to 94999



NYLON NEEDLE VALVE ASSY. (REF 681)

Assemblies include all parts shown in frames.

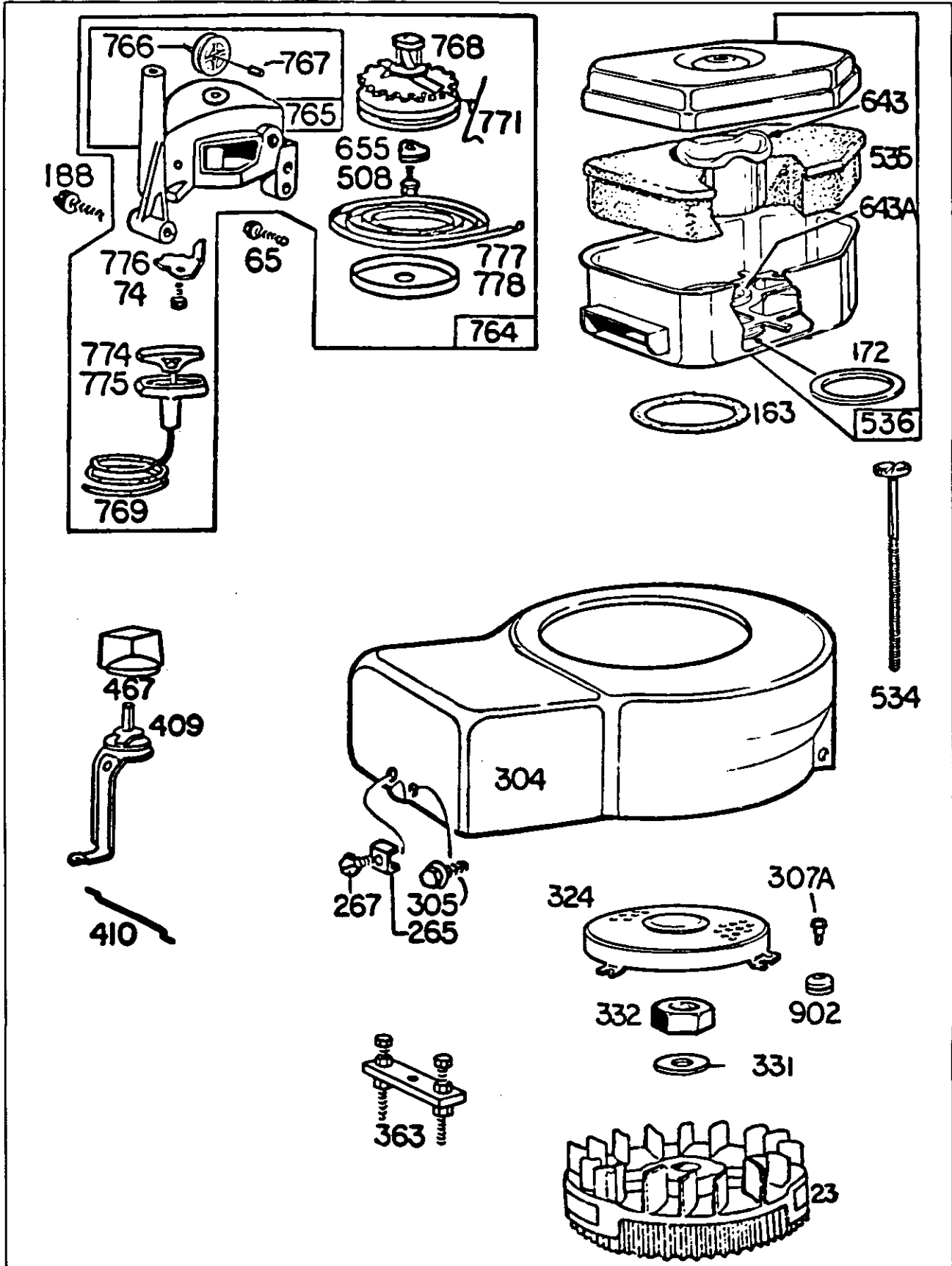


949-4-62

METAL NEEDLE VALVE ASSY. (REF 681A)

Assemblies include all parts shown in frames.

94900 to 94999



949-5-61

Assemblies include all parts shown in frames.

# 94900 to 94999

REF. NO.	PART NO.	DESCRIPTION	REF. NO.	PART NO.	DESCRIPTION	REF. NO.	PART NO.	DESCRIPTION	
1	394094	Cylinder Assembly	25	298904	Piston Assy.—Standard	83A	231278	Gear—Drive (230856 Gear—Drive Used before Code No. 80111700.)	
2	293708	Bushing—Cylinder		298905	Piston Assy.—.010" O.S.			<b>Note:</b> 231279 Gear—Drive (230906 Gear—Drive (Used before Code No. 80111700.) Used on Type Nos. 0051, 0135, 0158, 0169, 0172.	
	<b>Note:</b>	Requires special tools for installation.		298906	Piston Assy.—.020" O.S.				
3	299819	Seal—Oil		298907	Piston Assy.—.030" O.S.				
5	211479	Head—Cylinder	<b>MODEL 94900 SERIES PISTON RING SETS:</b>			86	221780	Cover—Sump	
7	*270341	Gasket—Cylinder Head				87	391484	Seal—Oil	
8	298383	Breather—Valve Chamber				88	*270238	Gasket—Sump Cover	
9	*270239	Gasket—Valve Cover				95	93499	Screw—Throttle Valve Mounting Sem	
10	93394	Screw—Breather and P.T.O. Gear Sump Cover (Ref. No. 86) Mounting Sem				96	211237	Valve—Throttle	
11	230802	Tube—Breather	26	298982	Ring Set—Standard Piston	97	298821	Shaft and Lever—Throttle	
12	*270833	Gasket—Crankcase—.015" thick (Standard)		298983	Ring Set—.010" O.S. Piston	108	280178	Valve—Choke	
	*270895	Gasket—Crankcase—.005" thick		298984	Ring Set—.020" O.S. Piston	114	66594	Gasket—Needle Valve Nut	
	*270896	Gasket—Crankcase—.009" thick		298985	Ring Set—.030" O.S. Piston	116	280203	Seal—O-Ring	
13	93111	Screw—Cylinder Head (1-15/16" long)	27	26026	Lock Piston Pin	116A	65978	Packing—Needle Valve	
15	91084	Plug—Oil Drain (Square Head)	28	298909	Pin Assembly—Piston—Standard	117	230590	Nut—Needle Valve	
	<b>Note:</b>	93418 Plug—Oil Drain (Socket Head) Used on Type Nos. 0186, 0188.		298908	Pin Assembly—Piston—.005" O.S.	118	23433	Valve—Needle	
15A	93418	Plug—Oil Drain (Socket Head)	29	294201	Rod Assy.—Connecting	125	394467	Carburetor Assembly	
16	394030	Crankshaft		<b>Note:</b>	For Connecting Rod with .020" undersize Crankpin Bore—order No. 296079.	125A	394161	Carburetor Assembly	
	<b>Note:</b>	394322 Crankshaft Used on Type Nos. 0016, 0052, 0152, 0153, 0157, 0160, 0161, 0162, 0168, 0175, 0176, 0178, 0180, 0184, 0186, 0187, 0190.				131	394035	Shaft and Lever—Throttle	
		394371 Crankshaft Used on Type Nos. 0017, 0163, 0164, 0166, 0179, 0185, 0188, 0189, 0192, 0193, 0201.	31	222282	Washer—Connecting Rod Screw	141	68908	Shaft—Choke	
		394507 Crankshaft Used on Type No. 0183.		32	92296	Screw—Connecting Rod	147	230591	Seat—Needle Valve
18	394157	Sump—Oil		33	296676	Valve—Exhaust	148	22235	Washer—Needle Valve (2)
18A	391645	Sump—Oil		34	296677	Valve—Intake	149	26336	Spring—Needle Valve
18B	394746	Sump—Oil (For Clutch)		35	260552	Spring—Intake Valve	151	93524	Screw—Rd. Hd.—5-40 x 1/2
19	293709	Bushing—Oil Sump		36	26478	Spring—Exhaust Valve	152	260746	Spring—Throttle Adj.
	<b>Note:</b>	Requires special tools for installation.		40	93312	Retainer—Valve Spring	163	271139	Gasket—Air Cleaner Mounting
20	391483	Seal—Oil		45	230173	Tappet—Valve	172	271273	Gasket—Air Cleaner
21	66768	Plug—Oil Filler		46	210453	Gear—Cam	180	391694	Tank Assembly—Fuel
22	93032	Screw—Sump Mtg. Sem		46A	394333	Cam Gear, Worm and Oil Slinger Assy.	181	298425	Cap—Fuel Tank
22A	93415	Screw—Sump Mtg. Sem (One used in Auxiliary Drive Gear Sump)			<b>Note:</b>	188	93585	Screw—Fuel Tank and Starter Mounting	
	<b>Note:</b>	Use 93032 Screw in the other (5) Sump mounting holes on Clutch Type. Use (4) 93032 Screws with Ref. 914 Screw.				190	93440	Screw—Fuel Tank Mtg.	
23	394032	Flywheel—Magneto	46B	394053	Cam Gear and Oil Slinger Assembly (For Clutch)	190	261539	Link—Governor	
24	61760	Key—Flywheel	52	*270345	Gasket—Intake Elbow	201	261541	Link—Throttle	
			54	93485	Screw—Intake Elbow Mounting	202	280272	Crank—Bell	
			65	93587	Screw—Vertical Pull Starter Mounting	203	93838	Screw—Shoulder	
			69	66718	Washer—Thrust (1-1/16" O.D. x 17/32" I.D.)	205	261542	Spring—Governor (For 3000 to 3200 RPM Top Speed Set—No Load)	
			69A	223225	Washer—Clip		<b>Note:</b>	261561 Spring—Governor (For 2600 to 2900 RPM) Used on Type Nos. 0156, 0175, 0176, 0200, 0201.	
			69B	223228	Washer—Thrust	217	261520	Spring—Return (Clutch Lever)	
			74	93490	Screw—Sem	219	394044	Oil Slinger Assy.	
			81	223256	Lock—Muffler Screw	227	394115	Lever Assy.—Governor	
			83	230831	Shaft—Drive	228	93758	Screw—Hex. Hd.	
				<b>Note:</b>	230948 Shaft—Drive Used on Type Nos. 0051, 0052, 0158, 0161, 0175.	265	22372	Clamp—Casing	
					230952 Shaft—Drive Used on Type Nos. 0154, 0169, 0172.	267	93469	Screw—Clamp Mtg.	
						268	66986	Casing—Control Wire—48" long	

\*Included in Gasket Set—  
Part No. 298989.

# 94900 to 94999

REF. NO.	PART NO.	DESCRIPTION	REF. NO.	PART NO.	DESCRIPTION	REF. NO.	PART NO.	DESCRIPTION
	<b>Note:</b>	If longer casing is needed, specify length in inches; if a shorter casing is needed, order No. 66986 and cut to required length.	363	19069	Puller—Flywheel (Optional Accessory)	635	66538	Elbow—Spark Plug
269	26099	Wire Control, 54" long	372	220477	Clamp—Condenser	643	222991	Cup—Air Cleaner
	<b>Note:</b>	if longer wire is needed, specify length in inches; if shorter wire is needed, order No. 26099 and cut to required length.	375	294628	Breaker Points and Condenser Set	643A	280268	Support—Air Cleaner Element
270	63426	Locknut—Control Wire Casing		<b>Note:</b>	299061 Ignition Kit	645	23513	Bushing—Plunger
271	290568	Lever Assembly—Control		<b>Includes:</b>	294628 Point Set	655	222057	Anchor—Spring
284	93572	Screw—Clamp Mtg.	377	93065	65704 Plunger	665	296768	Oil Minder
300	394644	Muffler—Exhaust	382	93545	61760 Key—Flywheel	666	299992	Gauge—Fuel Level
	<b>Note:</b>	393400 Muffler—Exhaust used on Type Nos. 0173, 0174, 0189, 0190, 0192, 0193, 0195.	383	89838	Key—Woodruff No. 6	670	93912	Spacer—Fuel Tank
304	394249	Housing—Blower (For Vertical-Pull and Dial-Trol)	390	261015	Screw—Choke Link Cover	674	93559	Screw—Tank to Bracket
		Used on Model 94908, 94988 Series.	392	260455	Wrench—Spark Plug	676	222238	Deflector—Muffler
305	93559	Screw—Blower Housing Mounting Sem	394	391681	Spring—Diaphragm	681	393451	Needle Valve
306	223048	Shield—Cylinder	396	270571	Spring—Fuel Pump	681A	299060	Needle Valve Kit
307	93490	Screw—Cylinder Shield Mounting Sem	397	211678	Diaphragm—Carburetor	720	93474	Pin—Gear to Shaft
307A	93926	Screw—Shoulder	409	299839	Gasket—Choke Link Cover	721	221779	Stop—Drive Shaft
324	223006	Screen—Rotating	410	260993	Cover—Choke Link Control—Dial	741	261533	Gear—Timing
331	220865	Washer—Flywheel	414	220982	Link—Control	742	93525	Ring—Retaining
332	92284	Nut—Flywheel	432	221377	Washer	742A	93925	Ring—Retaining (Clutch Lever)
333	298502	Armature—Magneto	441	222530	Cap—Spring	764	391486	Starter Assembly—Vertical Pull
334	93381	Screw—Armature Mounting Sem	467	299858	Bracket—Oil Fill Tube	765	299947	Housing—Vertical Pull Starter
337	298809	Plug—Spark (With Gasket) 1-1/2" high—(37-42 mm.)	508	93158	Knob—Dial Control	766	280022	Pulley—Rope (small)
	<b>Note:</b>	29693 Plug—Spark (With Gasket) 2" high—51 mm.	516	260374	Screw—Sem	767	231048	Pin—Small Rope
		293918 Plug—Spark (With Gasket) (Resistor Type) 1-1/2" high	523	391838	Spring—Connector	768	299948	Pulley (7/16" long)
		392588 Plug—Spark (With Gasket) (Resistor Type) 2" high		<b>Note:</b>	Cap with Dipstick—Oil Filler	769	66734	Pulley and Gear Assembly—Starter Rope—Vertical Pull
340	26018	Spring—Breaker Arm			For complete Oil Fill Cap with Dipstick and Oil Filler Tube Assy.—order Part 392055. For Oil Minder, see Ref. No. 665.	771	299961	Clip—Vertical Pull Starter
341	93381	Screw—Breaker Arm Mounting Sem	524	68838	Seal—Filler Tube	774	280121	Insert—Starter Handle
342	65704	Plunger—Breaker Point	525	280131	Tube—Oil Filler	775	280036	Grip—Starter Rope
344	93042	Screw—Condenser Clamp Mounting Sem	527	222548	Clamp—Oil Filler Tube	776	222049	Guide—Rope
345	220366	Cover—Breaker Point and Condenser	529	67838	Grommet—Breather	777	390066	Spring—Vertical Pull Starter
346	93705	Screw—Sem	534	93865	Screw—Air Cleaner	778	280021	Cover—Vertical Pull Starter
356	298479	Wire—Ground	534A	93818	Screw—Air Cleaner (Internal)	837	222241	Spacer—Muffler Mtg.
358	298989	Gasket Set	535	270579	Element—Air Cleaner (2-Slanted Sides)	842	270920	Seal—Oil Filler Cap
			536	394214	Cleaner Assembly—Air (2-Slanted Sides)	847	392055	Tube Assy.—Oil Fill
			552	230732	Bushing—Governor Shaft	851	221798	Terminal—Ignition Cable
			611	297219	Pipe—Fuel (long)	855	211982	Elbow—Air Cleaner
			612	296811	Pipe—Fuel (short)	869	210879	Seat—Intake Valve (Standard)
			613	93935	Screw—Muffler Mtg.	870	211291	Seat—Exhaust (Standard)
			615	93307	Retainer—E-Ring	871	63709	Guide—Exhaust Valve
			616	394075	Crank—Governor	901	223004	Bracket—Bell Crank
			617	270344	Seal—Fuel Intake Tube	902	280271	Grommet—Screen
			620	394056	Plate—Carburetor Control	906	261650	Spring—Torsion
				<b>Note:</b>	394213 Plate—Carburetor Control	907	394871	Sleeve Assy.—Clutch
					Used on Type Nos. 0015, 0016, 0017, 0050, 0051, 0052, 0164, 0177, 0178.	908	231220	Gear—Worm
			621	297472	Switch—Stop		<b>Note:</b>	231219 Gear—Worm (Counterclockwise) Used on Type No. 0135.
			625	298775	Tube—Fuel Intake	909	271417	Washer—Thrust
			634	270167	Washer—Throttle Shaft (Felt)	909A	271418	Washer—Thrust
						909B	271312	Washer—Thrust
						910	394051	Lever Assy.—Clutch
						911	223009	Control Bracket—Clutch
						914	93970	Screw—Bracket Mounting

\*Included in Gasket Set—  
Part No. 298989.