

**94900 to 94999**

# Illustrated Parts List

## Model Series

# 94900 to 94999

## Non-Compliance

### TYPE NUMBERS

0505 through 0552

0617 through 0650

0653, 0654, 0655,

0669, 5902, 5903,

5911, 5912.

## Compliance

### TYPE NUMBERS

3106, 3107, 3108,

3121, 3130, 3131.

### TO FIND

**THE CORRECT NUMBER OF THE PART YOU NEED:  
FOLLOW THE INSTRUCTIONS BELOW**

- A. Refer to Engine Model, Type and Code Number that is stamped on the blower housing of engine. Engine type numbers such as 0123 01 are listed only as 0123 in most instances. The two digits (01 or 02, etc.) to the right of the space may be required for more accurate parts identification in some instances. Select the Illustrated Parts List covering the correct Model Series and Type Number.
- B. Refer to the Illustrations and compare the original part with Illustration. The number next to the illustration is the Reference Number. Assemblies include all parts shown in frames. All parts shown in assembly frames having individual reference numbers can be purchased separately.
- C. After the Reference Number has been identified, refer to the Numerical text, where Reference and Primary Part Number are listed. **THE PRIMARY PART IS USED ON ALL TYPE NUMBERS EXCEPT THOSE TYPE NUMBERS UNDER "NOTE."**
- D. If a "Note" appears below the Primary Part Number, it means that this part differs from the Primary Part for certain types. If your Type number is listed under "Note," order the part referred to at the "Note."
- E. If your Engine Type Number does not appear after any part number listed under "Note," use the Primary Part Number.
- F. For Engine Type Numbers not covered by this book, check other Parts Lists having the same engine model or contact your source of supply.

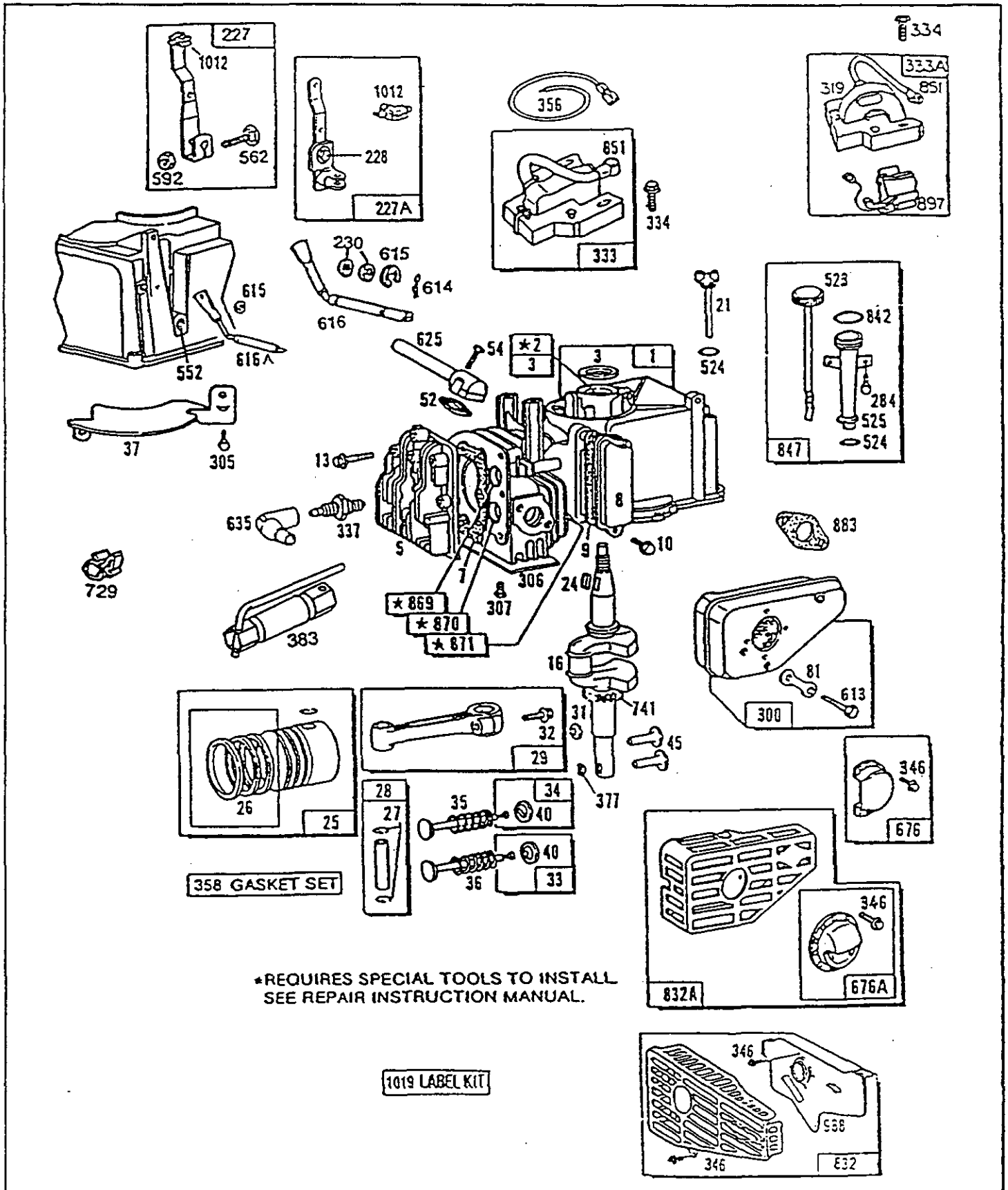
PRINTED IN U.S.A.

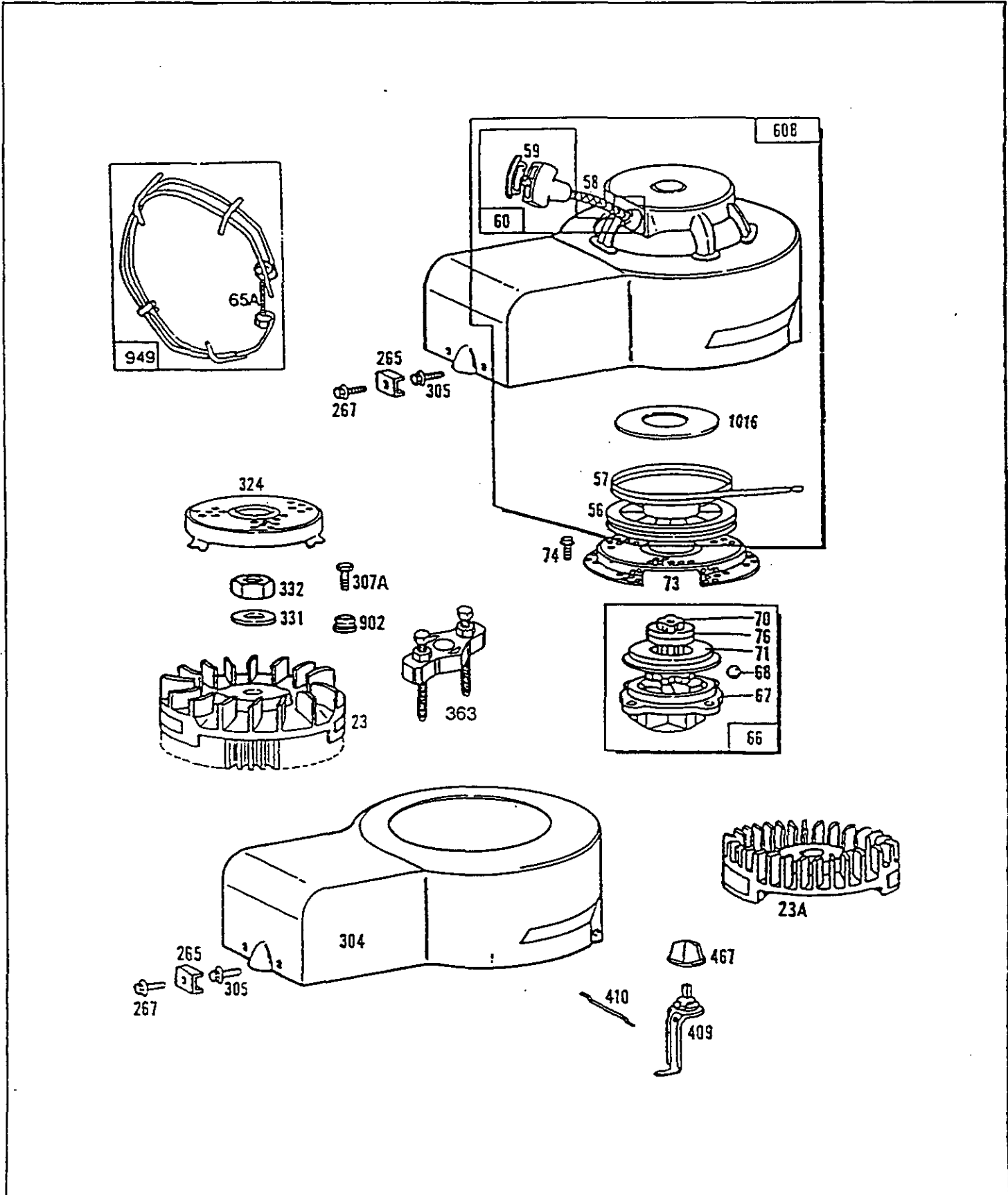
COPYRIGHT©

**BRIGGS & STRATTON**

®

# 94900 to 94999

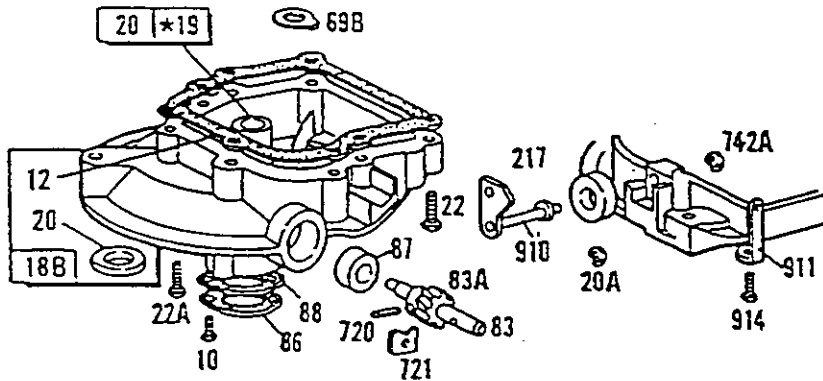
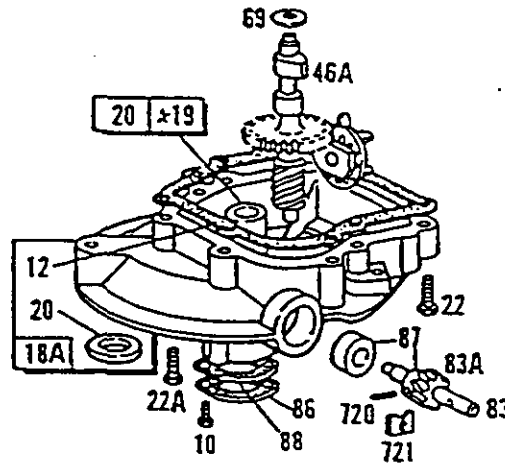
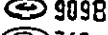
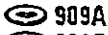
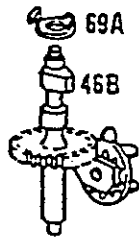
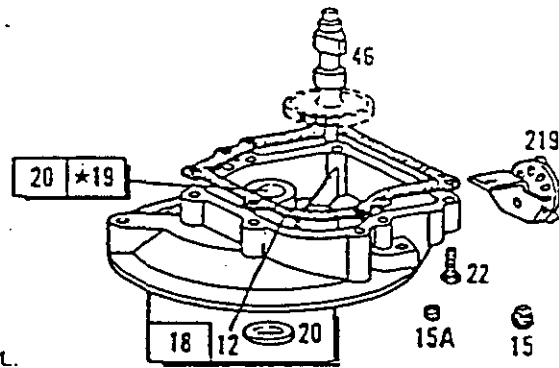




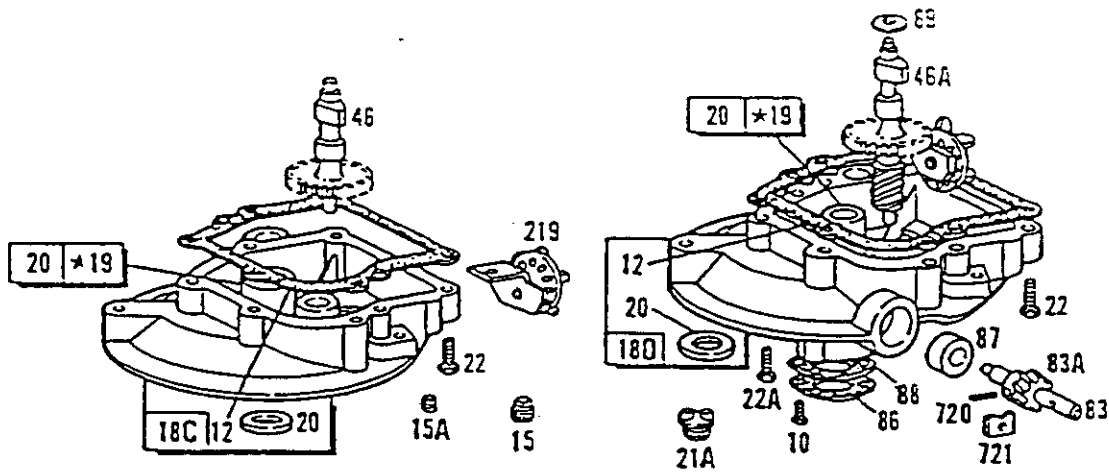
# 94900 to 94999

Sump assemblies illustrated on this page do NOT include an oil filler opening.

**\*SPECIAL TOOLS REQUIRED TO INSTALL.  
SEE REPAIR INSTRUCTION MANUAL.**

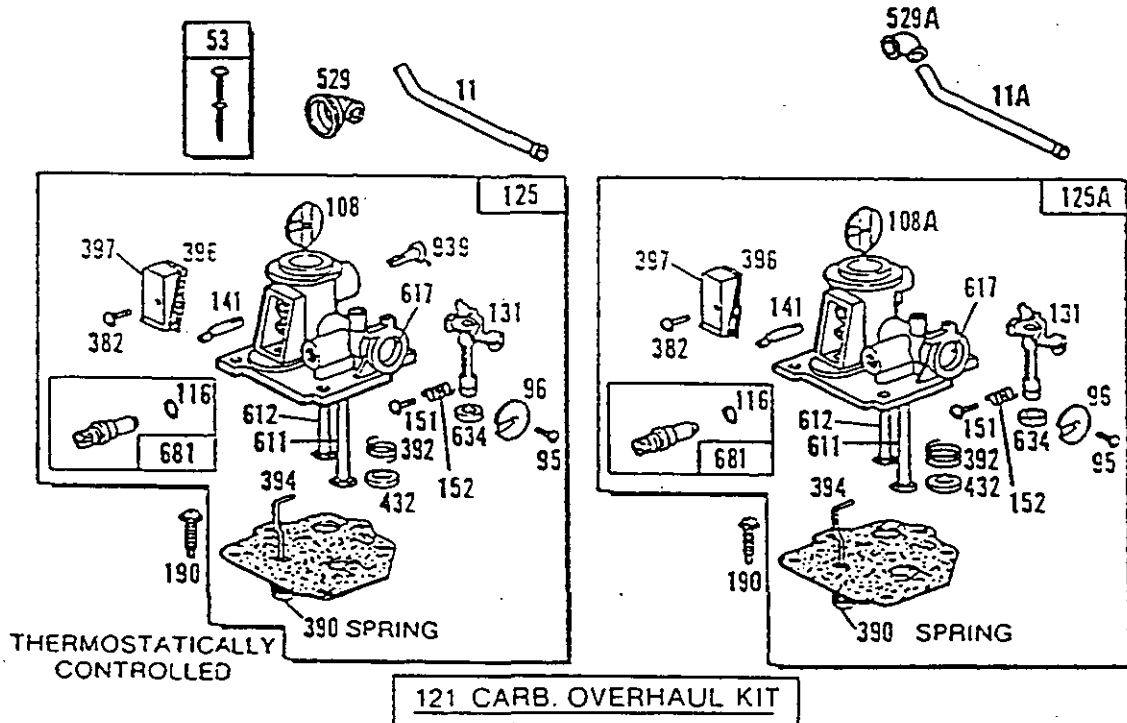


**998 POWER TRAC KIT**

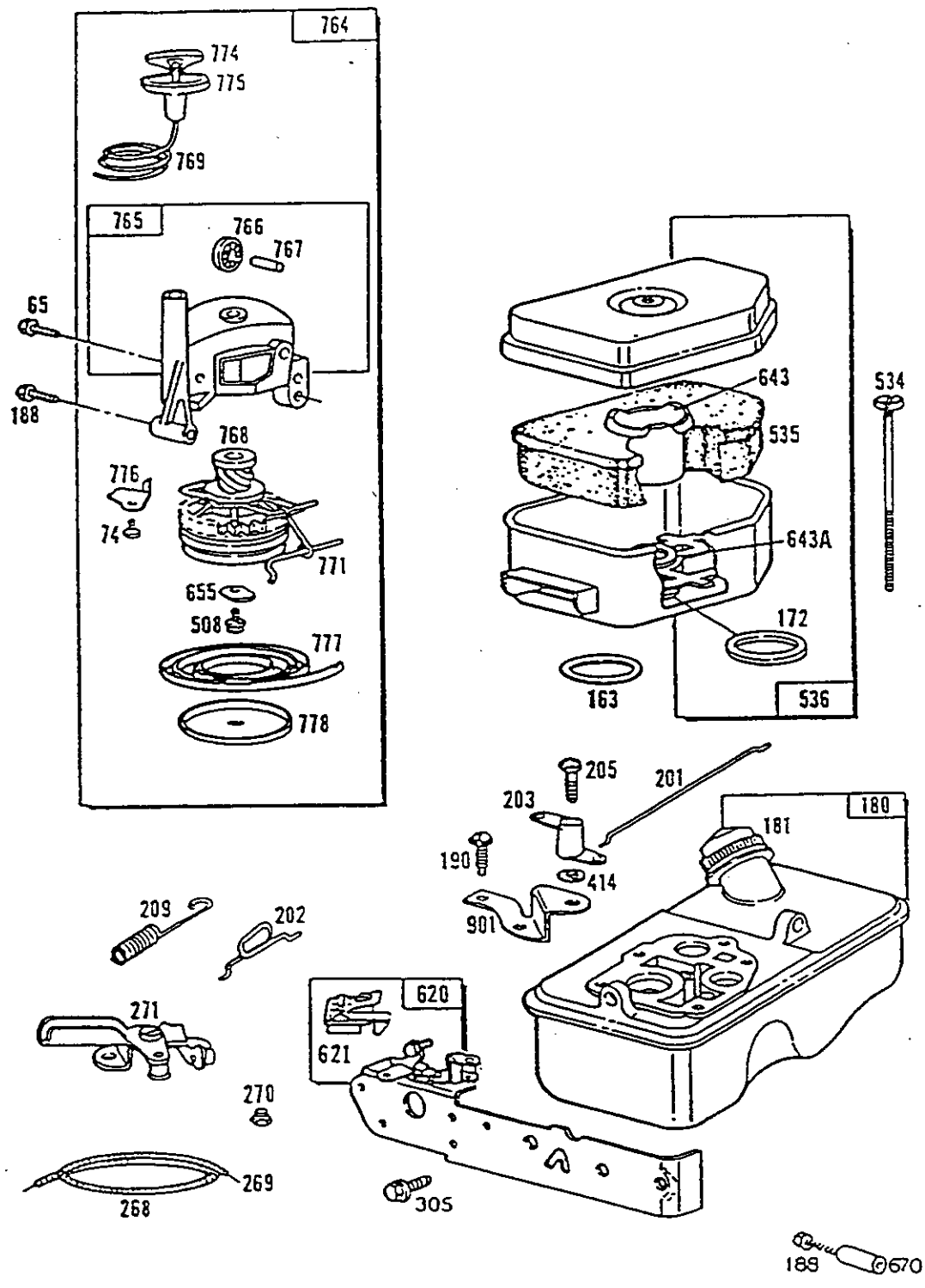


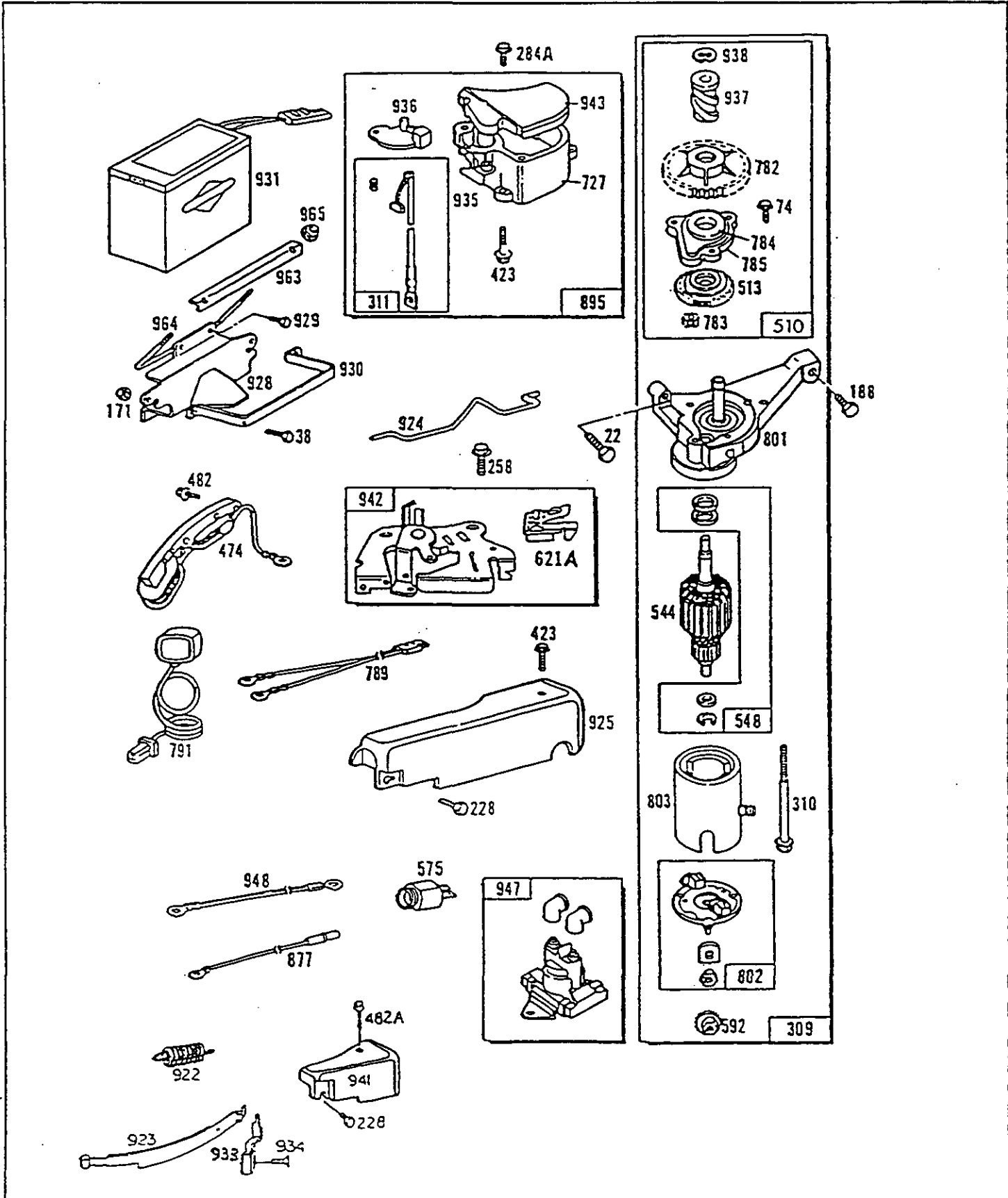
Sump assemblies illustrated on this page include an oil filler opening.

\*REQUIRES SPECIAL TOOLS TO INSTALL. SEE REPAIR INSTRUCTION MANUAL.



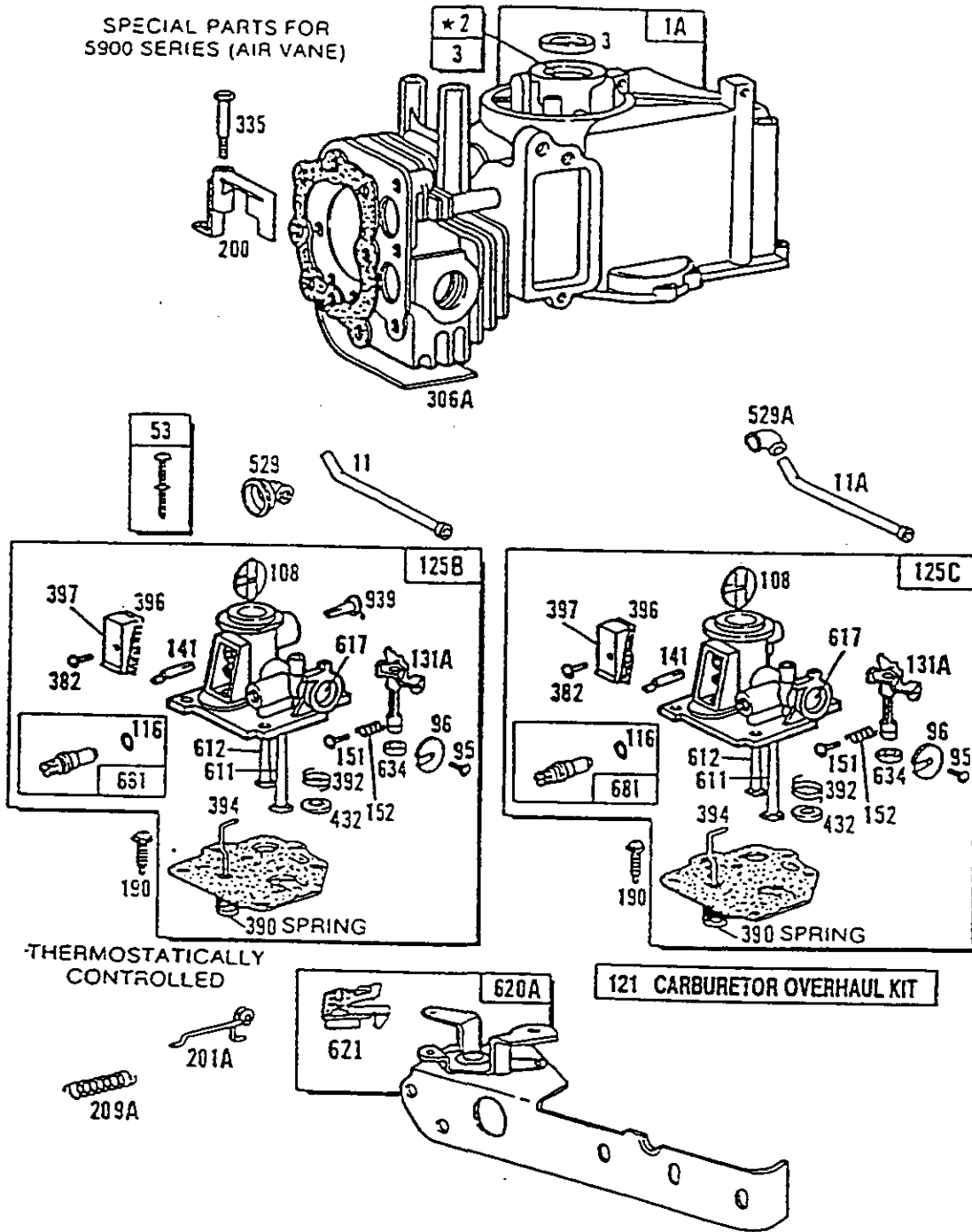
94900 to 94999





# 94900 to 94999

SPECIAL PARTS FOR  
5900 SERIES (AIR VANE)





# 94900 to 94999

REF. NO.	PART NO.	DESCRIPTION	REF. NO.	PART NO.	DESCRIPTION	REF. NO.	PART NO.	DESCRIPTION
1	399163	Cylinder Assembly		492748	Crankshaft	<b>PISTON RING SETS:</b>		
1A	399164	Cyl. Assy. (Air Vane)			Used on Type Nos. 0550, 0551.			<b>Note:</b> For Chrome Piston Ring Set (Std. Size) Order Part No. 299742.
2	293708	Bushing-Cyl. (Plain)			<b>The Following Engine Sumps Do Not Have An Oil Filler Boss</b>	26	298982	Ring Set-Piston (Std.)
		<b>Note:</b> Requires Special Tools For Installation.					298983	Ring Set-Piston (.010" O.S.)
3	*299819	Seal-Oil	18	395384	Sump-Engine		298984	Ring Set-Piston (.020" O.S.)
5	211479	Head-Cylinder	18A	395390	Sump-Engine		298985	Ring Set-Piston (.030" O.S.)
		<b>Note:</b> 213942 Head-Cylinder Used on Engines With Muffler Guard.	18B	395392	Sump-Engine (For Clutch)			
7	*272170	Gasket-Cylinder Head			<b>The Following Engine Sumps Have An Oil Fill Boss</b>	27	26026	Lock Piston Pin
8	298383	Breather-Vlv. Chamber				28	298909	Pin Assy.-Piston (Std.)
9	*270239	Gasket-Valve Cover	18C	394157	Sump-Engine		298908	Pin Assy.-Piston (.005" O.S.)
10	93394	Screw-Breather and P.T.O. Gear Sump Cover (Ref. No. 86) Mounting Sem	18D	391645	Sump-Engine Used on Model 94980 to 94989 Series Engines.	29	294201	Rod Assy.-Connecting <b>Note:</b> For Connecting Rod With .020" Undersize Crankpin Bore-Order Part No. 296079.
11	231272	Tube-Breather						
11A	230802	Tube-Breather	19	293709	Bushing-Engine Sump (Plain)			
12	*270833	Gasket-Crankcase (.015" Thick, Std.)			<b>Note:</b> Requires Special Tools For Installation.	31	222282	Washer-Connecting Rod Screw
	*270895	Gasket-Crankcase (.005" Thick)	20	*391483	Seal-Oil	32	94404	Screw-Connecting Rod
	*270896	Gasket-Crankcase (.009" Thick)	20A	280266	Seal-Oil	33	296676	Valve-Exhaust
13	93111	Screw-Cylinder Head (1-15/16" Long)	21	280485	Plug-Oil Filler (Used After Code Date 85060200).	34	296677	Valve-Intake
15	91084	Plug-Oil Drain (Square Head)			<b>Note:</b> 280381 Plug-Oil Filler (Used Before Code Date 85060300).	35	260552	Spring-Intake Valve
15A	93418	Plug-Oil Drain (Socket Head)	21A	66768	Plug-Oil Filler (Used on Engine Bases With an Oil Fill Boss)	36	26478	Spring-Exhaust Valve
16	397218	Crankshaft				37	223150	Guard-Flywheel
		<b>Note:</b> To Replace Crankshaft Gear Pin, Order Part No. 230978.	22	93032	Screw-Mtg. Sem	38	93777	Screw-Sem
		396226 Crankshaft Used on Type Nos. 0642, 0653, 0669.	22A	93415	Screw-Base Mtg. Sem (One Used on Auxiliary Drive Gear Sump)	40	93312	Retainer-Valve Spring
		397220 Crankshaft Used on Type Nos. 0507, 0517, 0632, 0640, 0643.			<b>Note:</b> Use 93032 Screw in Remaining Five (5) Sump Mounting Holes.	45	230173	Tappet-Valve
		492086 Crankshaft Used on Type Nos. 0506, 0516, 0552, 0618, 0634, 0635, 0636, 0637, 0638, 0639, 0646, 0647, 0648, 0650, 0654, 0655, 5902, 5903, 5912.	23	394848	Flywheel-Magneto	46	493747	Gear-Cam
			23A	395653	Flywheel-Magneto	46A	396197	Gear-Cam, Worm and Oil Slinger Assembly <b>Note:</b> 394335 Gear-Cam, Worm and Oil Slinger Assembly (Counterclockwise) Used on Type Nos. 0644, 0649, 0654.
			24	222698	Key-Flywheel			396022 Gear-Cam, Worm and Oil Slinger Assembly (Counterclockwise) Used on Type No. 0551.
			25	298904	Piston Assy. (Standard)			
					298905 Piston Assy. (.010" O.S.)	46B	397348	Gear-Cam, Oil Slinger Assembly (For Clutch)
					298906 Piston Assy. (.020" O.S.)			
					298907 Piston Assy. (.030" O.S.)	52	*270345	Gasket-Intake Elbow
						53	391982	Screw-Tank to Carb.
						54	93485	Screw-Int. Elbow Mtg.

\* Included in Gasket Set-Part No. 298989.

• Included in Carburetor Overhaul Kit-Part No. 494623.

♦ Included in Starter Drive Kit-Part No. 395727.

# 94900 to 94999

REF. NO.	PART NO.	DESCRIPTION	REF. NO.	PART NO.	DESCRIPTION	REF. NO.	PART NO.	DESCRIPTION
56	280439	Pulley—Rewind Starter	125A	396336	Carburetor Assembly		261644	Spring—Gov.
57	490179	Spring—Rewind Starter	125B	395957	Carburetor Assembly			Used on Type Nos.
58	66734	Rope—Rewind Starter (48-5/8" Long)	125C	395957	Carburetor Assembly		0642, 0653, 0669.	
	<b>Note:</b>	280406 Rope—Rewind Starter (81" Long) If Longer Rope is Needed. Order Part No. 280399 and Cut to Suit.	131	394035	Shaft and Lev.—Throttle		261926	Spring—Gov.
			131A	299977	Shaft and Lev.—Throttle			Used on Type No.
			141	68908	Shaft—Choke		3131.	
			151	93524	Screw—Rd. Hd.	209A	261105	Spring—Governor
			152	260746	Spring—Throttle Adj.		<b>Note:</b>	261060 Spring—Gov.
			163	•271139	Gasket—Air Cleaner Mounting			Used on Type No.
59	396892	Insert—Starter Rope	171	93203	Nut—Hex.		5903.	
60	393152	Grip—Starter Rope	172	271273	Gasket—Air Cleaner	217	261520	Spring—Return (Clutch Lever)
65	93587	Screw—Vertical Pull Starter Mounting	180	396781	Tank Assembly—Fuel	219	394044	Oil Slinger Assy.
65A	94124	Screw—Guard Retainer	181	298425	Cap—Fuel Tank		<b>Note:</b>	294652 Oil Slinger Assembly
66	399671	Clutch Assembly—Rewind Starter	188	94102	Screw—Fuel Tank and Starter Mounting			Used on Type Nos.
67	394897	Housing—Starter Clutch	190	93440	Screw—Fuel Tank Mtg.		5902, 5903, 5911,	
68	63770	Ball—Clutch	200	68388	Blade—Governor		5912.	
69	68938	Washer—Thrust	201	261918	Link—Governor (Used After Code Date 82102004).	227	491482	Lever Assy.—Governor
69A	223225	Washer—Clip		<b>Note:</b>	261539 Link—Governor (Used Before Code Date 82101904).	227A	491481	Lever Group—Governor
69B	223228	Washer—Thrust				228	93758	Screw—Hex. Hd.
70	298799	Ratchet—Rewind Starter	201A	261027	Link—Governor	230	220680	Washer
71	394506	Washer—Clutch Ret.	202	261897	Link—Throttle	258	94018	Screw—Sem
73	221661	Screen—Starter Pulley	203	280272	Crank—Bell	265	22372	Clamp—Casing
74	•93490	Screw—Sem	205	231520	Screw—Shoulder (Used After Code Date 86112300).	267	93469	Screw—Clamp Mtg.
76	68238	Washer—Ratchet Sealing		<b>Note:</b>	93838 Screw—Shoulder (Used Before Code Date 86112400).	268	66986	Casing—Control Wire (48" Long)
81	223256	Lock—Muffler Screw	209	261618	Spring—Governor Used on Type Nos. 0617, 0622, 0623, 0625, 0631, 0632, 0635, 0636, 0639, 0640, 0641, 0643, 0644, 3106, 3107, 3108, 3121, 3130.		<b>Note:</b>	If Longer Casing is Needed, Specify Length in Inches; if a Shorter Casing is Needed, Order Part No. 66986 and Cut to Suit.
83	230831	Shaft—Drive				269	26099	Wire Control (54" Long)
	<b>Note:</b>	230948 Shaft—Drive Used on Type Nos. 0551, 0552, 0639.					<b>Note:</b>	If Longer Wire is Needed, Specify Length in Inches; if Shorter Wire is Needed, Order Part No. 26099 and Cut to Suit.
		230952 Shaft—Drive Used on Type No. 0644.				270	63426	Locknut—Control Wire Casing
83A	231278	Gear—Drive		<b>Note:</b>	261642 Spring—Gov. Used on Type Nos. 0505, 0506, 0507, 0515, 0516, 0517, 0550, 0551, 0552, 0618, 0619, 0634, 0637, 0638, 0645, 0646, 0647, 0648, 0649, 0650, 0654, 0655.	271	290568	Lever Assy.—Control
	<b>Note:</b>	231279 Gear—Drive (Counterclockwise) Used on Type Nos. 0551, 0643, 0644, 0646, 0649, 0654.				284	94073	Screw—Clamp Mtg.
86	221780	Cover—Sump				284A	93892	Screw—Hex. Head
87	391484	Seal—Oil				300	394644	Muffler—Exhaust
88	•270328	Gasket—Sump Cover					<b>Note:</b>	395600 Muffler—Ex. Used on Type Nos. 0632, 0640, 0643.
95	93499	Screw—Thr. Vlv. Mtg.				304	223188	Housing—Blower
96	211237	Valve—Throttle						
108	280370	Valve—Choke						
108A	280178	Valve—Choke						
116	•280203	Seal—O-Ring						
121	494623	Carburetor Overhaul Kit						
125	396336	Carburetor Assembly						

\* Included in Gasket Set—Part No. 298989.

• Included in Carburetor Overhaul Kit—Part No. 494623.

♦ Included in Starter Drive Kit—Part No. 395727.

# 94900 to 94999

REF. NO.	PART NO.	DESCRIPTION	REF. NO.	PART NO.	DESCRIPTION	REF. NO.	PART NO.	DESCRIPTION
		<b>Note:</b> 223132 Hsg.-Blower Used on Type Nos. 0623, 0625, 0634, 3106, 3107, 3108, 3121, 3130. 394249 Hsg.-Blower Used on Type Nos. 0515, 0516, 0517, 0550, 0551, 0552. 396346 Hsg.-Blower Used on Type Nos. 0505, 0506, 0507, 0641.	390	261249	Spring-Diaphragm	592	93991	Nut-Hex.
			392	260455	Spring-Fuel Pump Diaphragm	608	397924	Starter Assembly- Rewind (9 o'clock)
			394	•391681	Diaphragm-Carburetor			<b>Note:</b> 396404 Starter Assy.- Rewind (10 o'clock) Used on Type No. 3131.
			396	•270571	Gasket-Choke Link Cover			396677 Starter Assy.- Rewind (4 o'clock) Used on Type No. 0648.
			397	211678	Cover-Choke Link	611	297219	Pipe-Fuel (Long)
			409	299839	Control-Dial	612	296811	Pipe-Fuel (Short)
			410	260993	Link-Control	613	93935	Screw-Muffler Mtg.
			414	223932	Washer (Used After Code Date 86112300).	614	93306	Pin-Cotter (Gov. Lever)
					<b>Note:</b> 220982 Washer (Used Before Code Date 86112400).	615	93307	Retainer-E-Ring
305	94153	Screw-Sem	423	94026	Screw-Sem	616	491405	Gov. Crank and Retainer Assy. (Used After Code Date 88011000).
306	223048	Shield-Cylinder	432	221377	Cap-Spring	616A	394075	Crank-Governor (Used Before Code Date 88011100).
06A	221805	Shield-Cylinder	467	299858	Knob-Dial Control	617	•270344	Seal-Fuel Intake Tube
307	93490	Screw-Cyl. Shield Mtg.	474	397880	Stator Assy.-Alternator	620	394056	Plate-Carb. Control <b>Note:</b> 394213 Plate- Carburetor Control Used on Type Nos. 0505, 0506, 0507, 0515, 0516, 0517, 0550, 0551, 0552, 3131.
307A	93926	Screw-Shoulder	482	94016	Screw-Hex. Hd.			
309	396439	Motor-Starter (6 Volt)	482A	93621	Screw-Sem			
310	94051	Bolt-Starter Motor	508	93158	Screw-Sem			
311	395728	Brush Kit-Starter Motor	510	395727	Drive Kit-Starter			
319	298502	Armature Assembly (Less Trigger Coil)	513	•394815	Clutch Assy-Elec. Str.			
			523	396372	Cap With Dipstick- Oil Filler <b>Note:</b> For Complete Oil Fill Cap With Dipstick and Oil Filler Tube Assy.- See Ref. 847.			
324	223006	Screen-Rotating	524	•271485	Seal-Filler Tube			
331	224061	Washer-Flywheel	525	280578	Tube-Oil Fille (Used After Code Date 85060200).	620A	299974	Plate-Carb. Control <b>Note:</b> 299975 Plate- Carburetor Control Used on Type Nos. 5902, 5903.
332	92284	Nut-Flywheel			<b>Note:</b> 280382 Tube-Oil Filler (Used Before Code Date 85060300).			
333	398593	Armature-Magneto	529	280368	Grommet-Breather	621	396847	Switch-Stop (Used After Code Date 85041000).
333A	398593	Armature Group	529A	67838	Grommet-Breather			<b>Note:</b> 297472 Switch-Stop (Used Before Code Date 85041100).
334	93381	Screw-Arma. Mtg. Sem	534	93865	Screw-Air Cleaner	621A	396847	Switch-Stop (Used After Code Date 84030100).
335	93435	Screw-Arma. and Gov. Blade Mtg. Sem	535	270579	Element-Air Cleaner (2-Slanted Sides)			<b>Note:</b> 297472 Switch-Stop (Used Before Code Date 84030200).
			536	394214	Cleaner Assembly-Air (2-Slanted Sides)			
337	298809	Plug-Spark (With Gasket. 1-1/2" High. 38mm) <b>Note:</b> 293918 Plug-Spark (Resistor Type With Gasket) (1-5/8" High. 42mm) 492167 Plug-Spark (1-7/8" High. 48mm) 802592 Plug-Spark (Resistor Type) (1-7/8" High. 48mm)	544	396058	Armature-Starter			
			548	396067	Washer Set- Starter Motor			
346	93705	Screw-Sem	552	230732	Bushing-Gov. Shaft			
356	398808	Wire-Ground	562	92613	Bolt-Carriage (Governor Lever)			
358	298989	Gasket Set	575	396291	Switch-Ignition			
363	19069	Puller-Flywheel						
377	93065	Key-Woodruff No. 6						
382	93545	Screw-Choke Link Cover						
383	89838	Wrench-Spark Plug						

\* Included in Gasket Set-  
Part No. 298989.

• Included in Carburetor Overhaul Kit-  
Part No. 494623.

♦ Included in Starter Drive Kit-  
Part No. 395727.

# 94900 to 94999

REF. NO.	PART NO.	DESCRIPTION	REF. NO.	PART NO.	DESCRIPTION	REF. NO.	PART NO.	DESCRIPTION	
634	270167	Washer—Throttle Shaft (Felt)		<b>Note:</b> 395585	Charger—Battery (240 Volt)	911	223009	Control Bracket—Clutch	
635	66538	Elbow—Spark Plug		493357	Adapter—Changer	914	93970	Screw—Bracket	
643	280374	Cup—Air Cleaner		(For Use With 493359 Battery)		922	261647	Spring—Band Brake	
643A	280268	Support—Air Cleaner Element		801	395851	Motor Output End Cover and Mounting Bracket	923	394867	Brake Assembly—Band
655	222057	Anchor—Spring		802	396061	Cap Assembly—End	924	261651	Link—Starter Switch
670	94038	Spacer—Fuel Tank		803	396059	Housing—Starter	925	280363	Cover—Linkage
676	393756	Deflector—Muffler		832	399637	Guard Group—Muffler	928	223162	Bracket—Battery
676A	396548	Deflector—Muffler		832A	399637	Guard—Muffler	929	93980	Screw—Sem
681	•395508	Needle Valve Kit		842	270920	Seal—Oil Filler Cap	930	223161	Bracket Support—Batt.
720	93474	Pin—Gear to Shaft		847	399030	Tube Assy.—Oil Fill (Used After Code Date 85060200).	931	493359	Battery (6 Volt)
721	221779	Stop—Drive Shaft		<b>Note:</b> 395869	Tube Assy.—Oil Fill (Used Before Code Date 85060300).	933	223448	Pivot—Band Brake (Used on Band Brake Engines).	
727	280336	Cover Base—Elec. Str.		851	221798	Terminal—Ignition Cable	<b>Note:</b> 223278	Pivot—Band Brake (Used on Non—Band Brake Engines).	
729	280470	Clip—Wire		869	211172	Seat—Intake Vlv. (Std.) (Used After Code Date 88070100).	934	94037	Screw—Band Brake Pivot
741	261533	Gear—Timing		<b>Note:</b> 210879	Seat—Int. Vlv. (Used Before Code Date 88063000).	935	223128	Terminal—Switch	
742	93525	Ring—Retaining		870	211291	Seat—Exhaust (Std.)	936	280338	Actuator—Switch
742A	93925	Ring—Ret. (Clutch—Lev.)		871	63709	Guide—Exhaust Valve	937	♦280366	Spline—Starter
764	396082	Str. Assy.—Vertical Pull <b>Note:</b> 395874 Starter Assy.—Vertical Pull Used on Type Nos. 3121, 3130.		877	396485	Wire Assembly (Alternator to Solenoid)	938	♦93941	Ring—Retainer
765	395914	Hsg.—Vertical Pull Str.		883	270774	Gasket—Exhaust Pipe	939	395665	Shaft and Spring Assembly—Choke
766	280022	Pulley—Rope (Small)		895	394767	Switch Group	941	280395	Cover—Linkage
767	231048	Pin—Small Rope Pulley (7/16" Long)		897	394970	Trigger Coil	942	224331	Bracket <b>Note:</b> 493239 Bracket Assembly—Lever Used on Type No. 0623.
768	299948	Pulley and Gear Assembly—Starter		901	490818	Bracket—Bell Crank		493248	Bracket Assembly—Lever (Used on Band Brake Engines).
769	66734	Rope—Vertical Pull Starter (48 5/8" Long) <b>Note:</b> 280406 Rope—Vertical Pull Starter (81" Long)		902	280271	Grommet—Screen	943	280332	Cover Top—Elec. Str.
771	299961	Clip—Vertical Pull Str.		906	261650	Spring—Torsion	947	396483	Solenoid
774	280121	Insert—Starter Handle		907	394871	Sleeve Assy.—Clutch	948	396261	Wire Assy. (8" Long)
775	280036	Grip—Starter Rope		908	231220	Gear—Worm <b>Note:</b> 231291 Gear—Worm (Counterclockwise) Used on Type Nos. 0643, 0646.	949	396579	Guard—Rewind Starter
776	222049	Guide—Rope		909	271417	Washer—Thrust	963	223502	Strap
777	390066	Spg.—Vertical Pull Str.		909A	271418	Washer—Thrust	964	94107	Bolt—U
778	280021	Cover—Vertical Starter		909B	271312	Washer—Thrust	965	94108	Nut
782	♦280038	Gear—Electric Starter		910	394051	Lever Assy.—Clutch	988	223600	Bracket—Muffler
783	♦261606	Gear—Electric Starter					998	399634	Power Trac Kit
784	♦223123	Cover—Electric Starter					1012	280414	Retainer—Link
785	♦271457	Gasket—Electric Starter Clutch Gear Cover					1016	490817	Spacer
789	396392	Wiring Harness Assy. <b>Note:</b> Used on Mower, for Remote Mtg. or with Solenoid.					1019	491082	Label Kit
791	395569	Charger—Battery (120 Volt)							

\* Included in Gasket Set—Part No. 298989.

• Included in Carburetor Overhaul Kit—Part No. 494623.

♦ Included in Starter Drive Kit—Part No. 395727.