

95200

Illustrated Parts List

Model Series

95200

TYPE NUMBERS
0100 through 0244.

TABLE OF CONTENTS

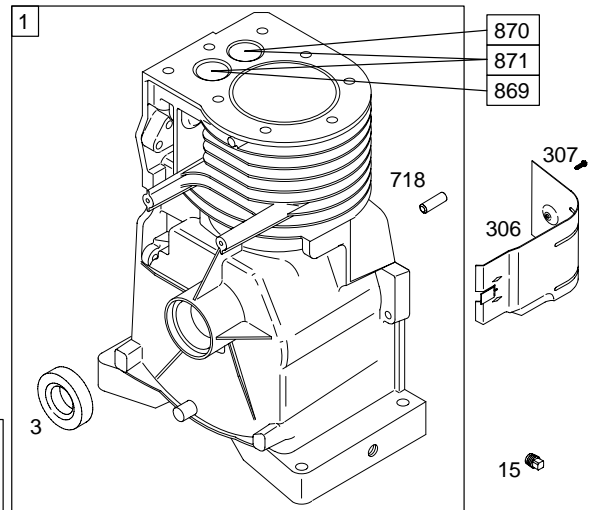
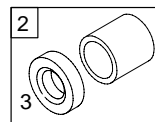
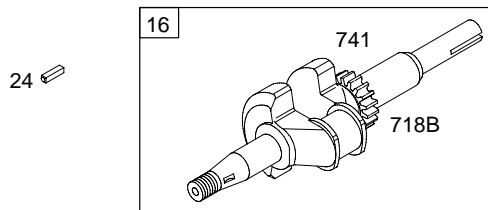
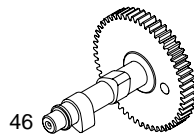
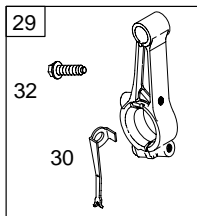
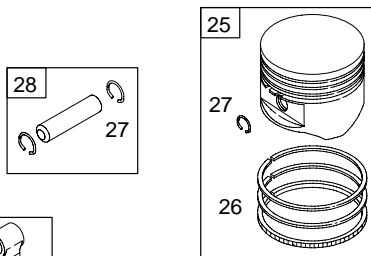
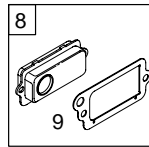
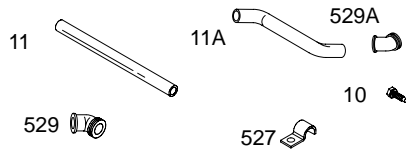
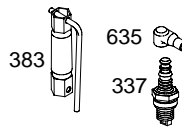
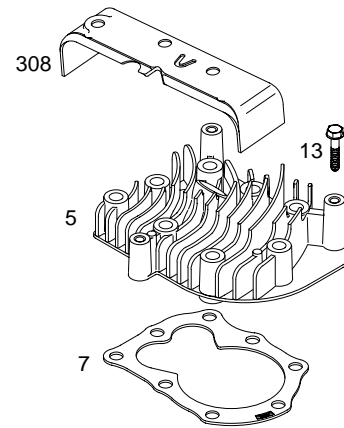
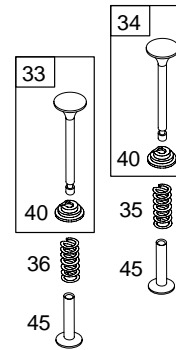
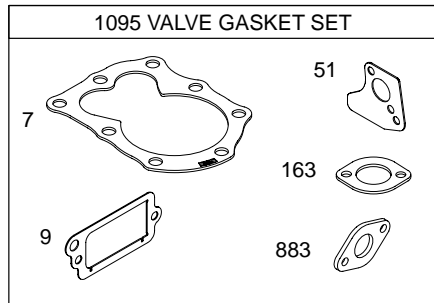
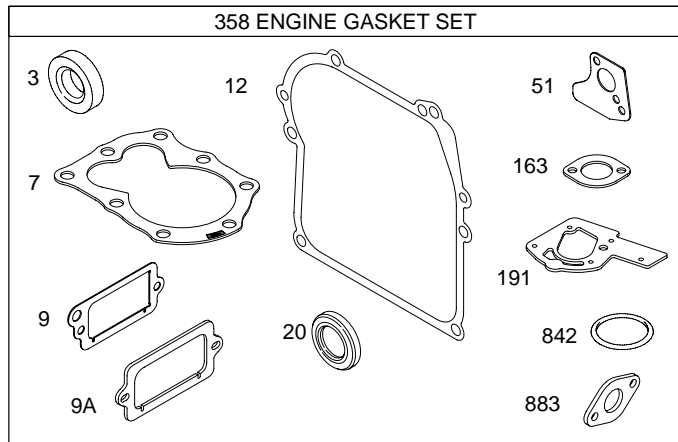
Air Cleaner	6
Cam	2
Carburetor	4
Controls	5
Crankcase Cover/Sump	3
Crankshaft	2
Cylinder	2
Flywheel	7
Fuel Tank	4
Governor Spring	5
Head	2
Ignition	5
Kits/Gaskets – Carburetor	4
Kits/Gaskets – Engine	2
Kits/Gaskets – Valves	2
Muffler	6
Oil Group	3
Piston Group	2
Rewind Starter	7
Rewind Starter	8
Valves	2



PRINTED IN U.S.A.

COPYRIGHT by BRIGGS & STRATTON CORPORATION
All rights reserved. No part of this material may be reproduced or transmitted,
in any form or by any means, electronic or mechanical, including photocopying,
recording or by any information storage and retrieval system, without permission
in writing from Briggs & Stratton Corporation.

95200

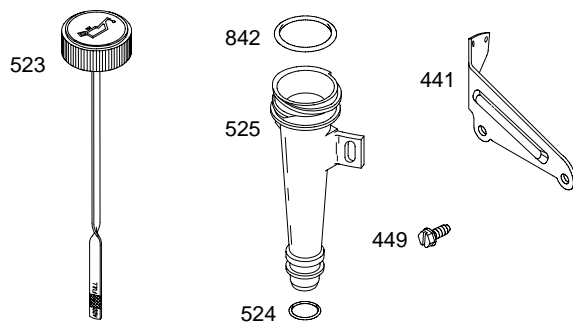
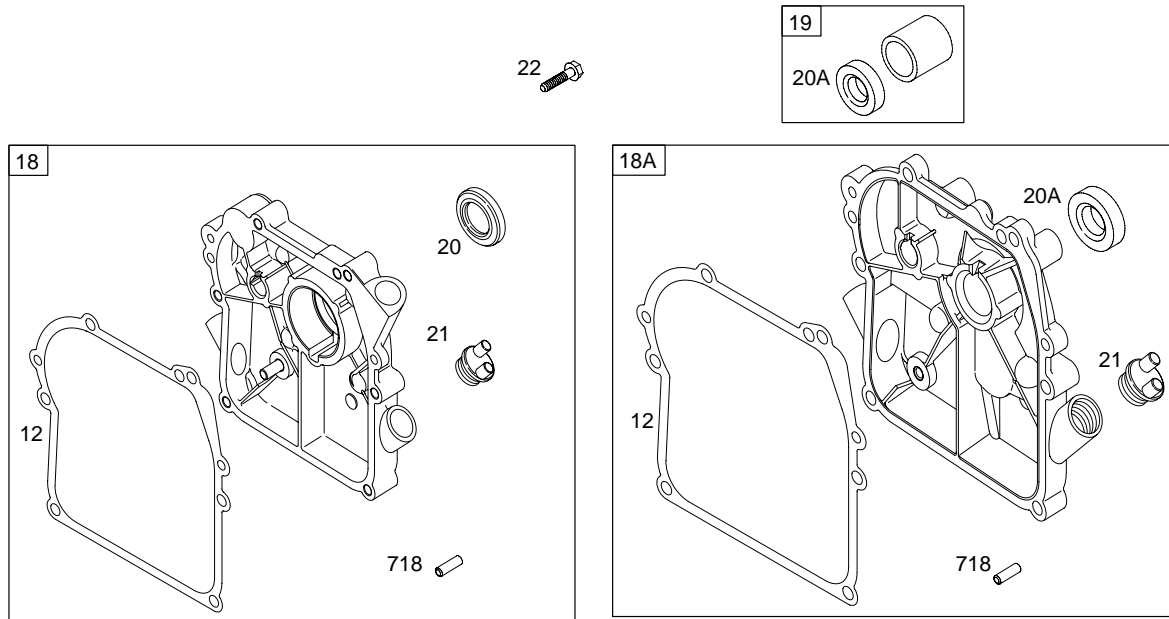


1019 LABEL KIT

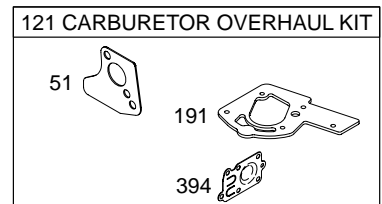
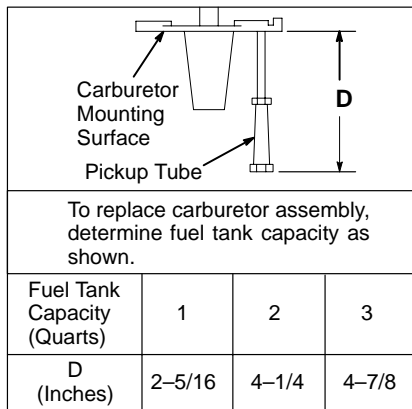
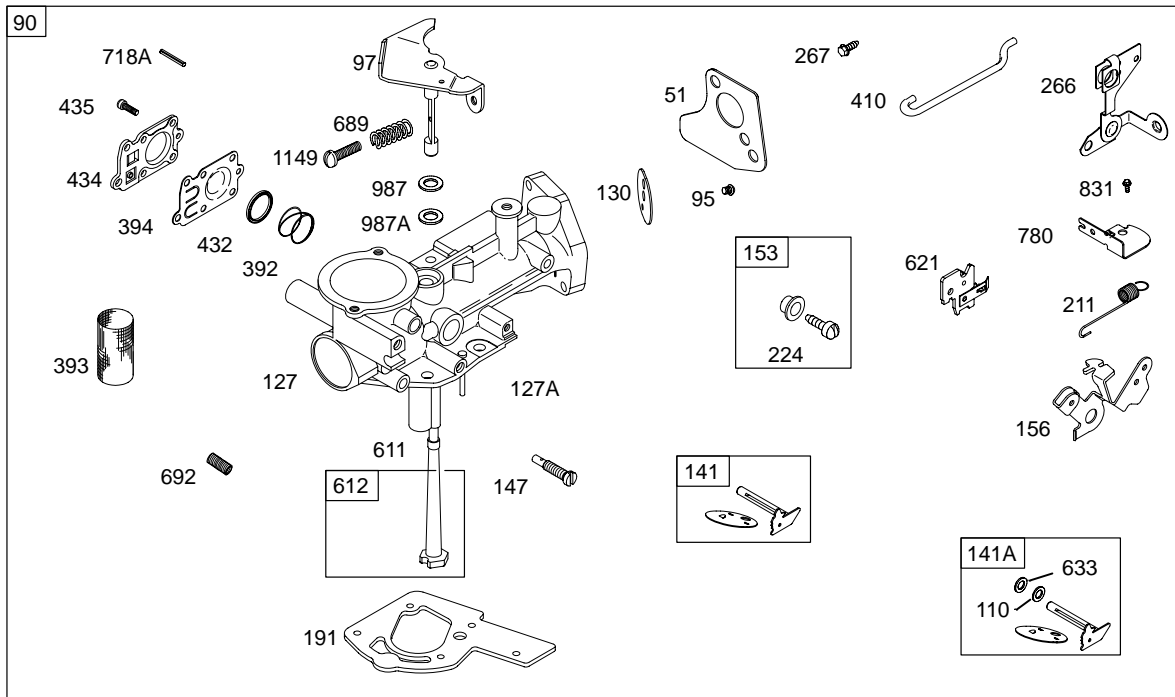
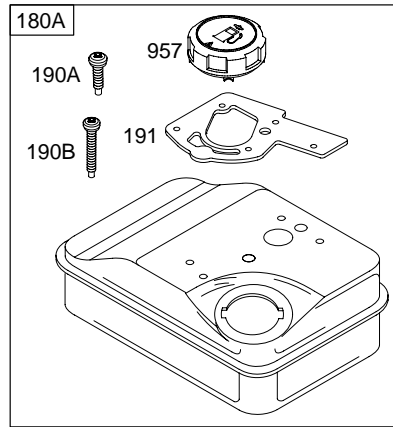
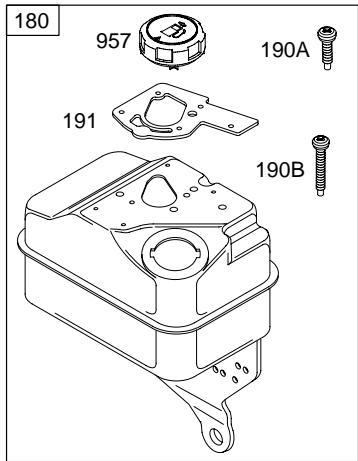
1058 OPERATOR'S MANUAL

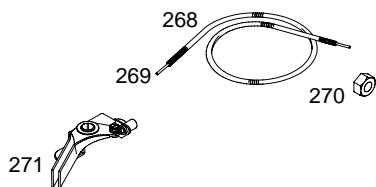
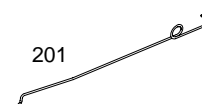
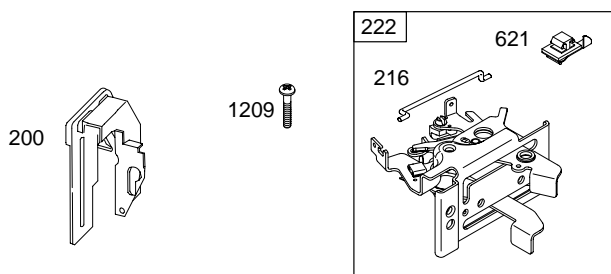
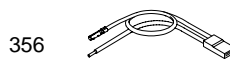
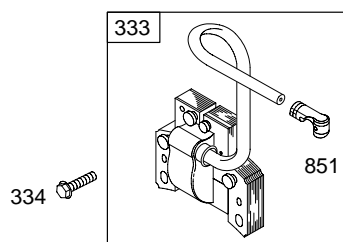
1330 REPAIR MANUAL

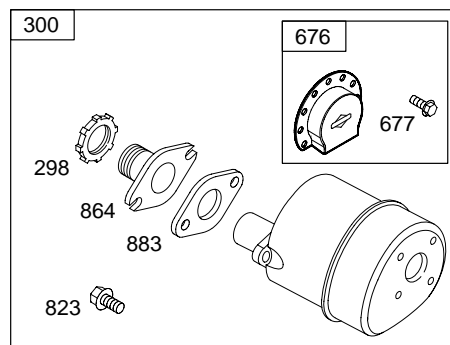
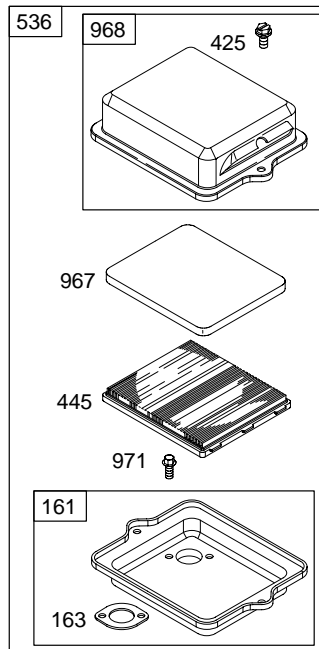
Illustrations cover a range of engines. Parts shown without corresponding text may not be used on your specific engine.
 5546-2 Assemblies include all parts shown in frames. 05/10/2004



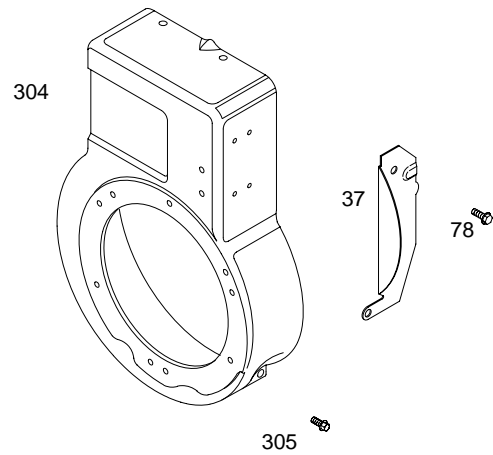
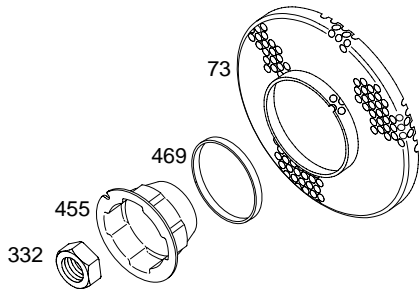
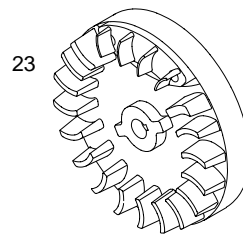
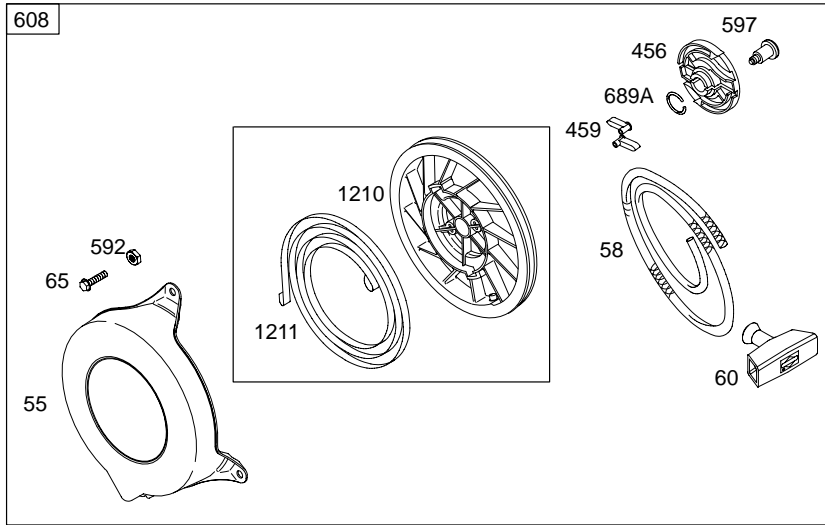
Illustrations cover a range of engines. Parts shown without corresponding text may not be used on your specific engine.
 5546-3 Assemblies include all parts shown in frames. 05/10/2004







Illustrations cover a range of engines. Parts shown without corresponding text may not be used on your specific engine.
5546-6 Assemblies include all parts shown in frames. 05/10/2004



1036 EMISSIONS LABEL

95200

REF. NO.	PART NO.	DESCRIPTION	REF. NO.	PART NO.	DESCRIPTION	REF. NO.	PART NO.	DESCRIPTION
1	494549	Cylinder Assembly	18	496679	Cover-Crankcase Used on Type No(s). 0118, 0244.	23	496893	Flywheel Used on Type No(s). 0117, 0138, 0194.
2	399269	Kit-Bushing/Seal (Magneto Side)			Note			Note
3	★299819	Seal-Oil (Magneto Side)			497506 Cover-Crankcase			690843 Flywheel Used on Type No(s). 0100, 0118, 0244.
5	690386	Head-Cylinder			Used on Type No(s). 0138, 0194.	24	222698	Key-Flywheel
7	★Δ692288	Gasket-Cylinder Head	18A	394820	Cover-Crankcase Used on Type No(s). 0100, 0117.	25	498668	Piston Assembly (Standard)
8	699448	Breather Assembly			19 399269 Kit-Bushing/Seal (PTO Side)			Note
9	Δ★695890	Gasket-Breather			20 ★692020 Seal-Oil (PTO Side)			498669 Piston Assembly (.010" Oversize)
9A	★27549	Gasket-Breather			Used on Type No(s). 0118, 0138, 0194, 0244.			498670 Piston Assembly (.020" Oversize)
10	691666	Screw (Breather Assembly)	20A	299819	Seal-Oil (PTO Side)			498671 Piston Assembly (.030" Oversize)
11	692528	Tube-Breather			Used on Type No(s). 0100, 0117.	26	695169	Ring Set (Standard)
11A	231550	Tube-Breather Used on Type No(s). 0138.			21 281658 Cap-Oil Fill			Note
12	★692218	Gasket-Crankcase (.015" Thick) (Standard)			22 691129 Screw (Crankcase Cover/Sump)			695171 Ring Set (.010" Oversize)
		Note			Used In Positions 1 and 6)			695172 Ring Set (.020" Oversize)
		★270895 Gasket-Crankcase/005			Note			695173 Ring Set (.030" Oversize)
		★270896 Gasket-Crankcase/009			693732 Screw (Crankcase Cover/Sump)	27	691588	Lock-Piston Pin
13	691640	Screw (Cylinder Head)			Used on Type No(s). 0118, 0244.	28	298909	Pin-Piston (Standard)
15	691682	Plug-Oil Drain Used on Type No(s). 0117, 0138, 0194.			695733 Screw (Crankcase Cover/Sump)			Note
		Note			(Used After Code Date 03092600).			298908 Pin-Piston (.005" Oversize)
		691686 Plug-Oil Drain Used on Type No(s). 0100, 0118, 0244.			Used on Type No(s). 0138, 0194.	29	294367	Rod-Connecting (Standard)
16	691474	Crankshaft Used on Type No(s). 0117.			691128 Screw (Crankcase Cover/Sump)			Note
		Note			(Used Before Code Date 03092700).			296079 Rod-Connecting (.020" Undersize)
		492880 Crankshaft Used on Type No(s). 0100, 0118.			Used on Type No(s). 0138, 0194.	30	691719	Dipper-Connecting Rod
		493632 Crankshaft Used on Type No(s). 0244.				32	691664	Screw (Connecting Rod)
		497232 Crankshaft Used on Type No(s). 0138, 0194.						

★ Included in Engine Gasket Set-Ref. No.358.

● Included in Carburetor Overhaul Kit-Ref. No. 121.

◆ Included in Carburetor Gasket Set-Ref. No. 977.

Δ Included in Valve Gasket Set-Ref. No 1095.

Illustrations cover a range of engines. Parts shown without corresponding text may not be used on your specific engine.

95200

REF. NO.	PART NO.	DESCRIPTION	REF. NO.	PART NO.	DESCRIPTION	REF. NO.	PART NO.	DESCRIPTION
266	691414	Control—Throttle Used on Type No(s). 0138.	425	694515	Screw (Air Cleaner Cover)	608	499706	Starter—Rewind
267	691082	Screw (Casing Clamp)	432	690766	Cap—Spring	611	690507	Pipe—Fuel Used on Type No(s). 0117, 0118, 0194.
268	691025	Casing—Control Wire (Cut to Required Length)	434	691713	Cover—Diaphragm			Note
269	691026	Wire—Control (Cut to Required Length)	435	691619	Screw (Diaphragm Cover)			691770 Pipe—Fuel Used on Type No(s). 0100, 0244.
270	691027	Nut (Control Wire Casing)	441	690484	Bracket—Oil Fill Used on Type No(s). 0138, 0194.	612	391813	Tube—Pick Up Used on Type No(s). 0100, 0117, 0118, 0194, 0244.
271	691028	Lever—Control	445	491588	Filter—Air Cleaner Cartridge			Note
298	691720	Locknut—Muffler/Elbow	449	691693	Screw (Oil Fill Bracket) Used on Type No(s). 0138, 0194.			297219 Tube—Pick Up Used on Type No(s). 0138.
300	493288	Muffler	455	691236	Cup—Flywheel	621	692310	Switch—Stop
304	693004	Housing—Blower	456	692299	Plate—Pawl Friction	633	691869	Seal—Choke/Throttle Shaft
305	692198	Screw (Blower Housing)	459	281505	Pawl—Ratchet	635	66538	Boot—Spark Plug
306	690461	Shield—Cylinder	469	694420	Ring—Rotating Trim	676	393756	Deflector—Muffler Used on Type No(s). 0117.
307	691660	Screw (Cylinder Shield)	523	495264	Dipstick Used on Type No(s). 0138, 0194.			Note
308	690462	Cover—Cylinder Head	524	691870	Seal—Dipstick Tube			397931 Deflector— Muffler Used on Type No(s). 0100.
332	690662	Nut (Flywheel)	525	694426	Tube—Dipstick Used on Type No(s). 0138, 0194.			393760 Deflector— Muffler Used on Type No(s). 0118, 0138, 0194.
333	496914	Armature—Magneto	527	691741	Clamp—Tube	677	690661	Screw (Muffler Deflector)
334	691061	Screw (Magneto Armature)	529	692189	Grommet (90 Degree) Used on Type No(s). 0118, 0138.	689	691783	Spring—Friction (Throttle Shaft)
337	802592	Plug—Spark	529A	692187	Grommet (45 Degree)	689A	691855	Spring—Friction (Rewind Starter)
356	691418	Wire—Stop Used on Type No(s). 0100.	536	494279	Cleaner—Air	692	690572	Spring—Detent
356A	692390	Wire—Stop	578	696031	Wire Assembly Used on Type No(s). 0100.			
358	298989	Gasket Set—Engine	592	690800	Nut (Rewind Starter)			
363	19069	Puller—Flywheel	597	691696	Screw (Pawl Friction Plate)			
383	89838	Wrench—Spark Plug						
392	691823	Spring—Pump Diaphragm						
393	691213	Screen—Carburetor						
394	●272538	Diaphragm—Carburetor						
410	691274	Link—Control Used on Type No(s). 0138.						

★ Included in Engine Gasket Set—Ref. No.358.

● Included in Carburetor Overhaul Kit—Ref. No. 121.

◆ Included in Carburetor Gasket Set—Ref. No. 977.

△ Included in Valve Gasket Set—Ref. No 1095.

Illustrations cover a range of engines. Parts shown without corresponding text may not be used on your specific engine.

REF. NO.	PART NO.	DESCRIPTION	REF. NO.	PART NO.	DESCRIPTION	REF. NO.	PART NO.	DESCRIPTION
718	690959	Pin-Locating	883	★691314	Gasket-Exhaust	1058	274778	Operator's Manual
718A	690296	Pin-Locating (Carburetor)	957	494559	Cap-Fuel Tank	1095	699450	Gasket Set-Valve
718B	499047	Pin-Locating (Crankshaft)	967	491435	Filter-Pre Cleaner	1149	691624	Screw (Throttle Shaft)
741	691805	Gear-Timing	968	692321	Cover-Air Cleaner	1209	692200	Screw (Speed Control Panel)
780	691211	Anchor-Spring	971	690370	Screw (Air Cleaner Base to Carburetor)	1210	499901	Pulley/Spring Assembly (Pulley)
823	692336	Screw (Muffler Adapter)	987	692279	Seal-Throttle Shaft	1211	499901	Pulley/Spring Assembly (Spring)
831	691099	Screw (Spring Anchor)	987A	270167	Seal-Throttle Shaft	1330	270962	Repair Manual
842	★691876	Seal-O Ring (Dipstick Tube)	1019	699456	Kit-Label			
851	493880	Terminal-Spark Plug	1036	696764	Label-Emissions (Used After Code Date 01093000).			
864	690776	Adapter-Muffler			Note			
869	691701	Seat-Valve (Intake)			695097 Label- Emissions (Used Before Code Date 01100100).			
870	691702	Seat-Valve (Exhaust)						
871	262001	Bushing-Valve Guide (Exhaust)						
		Note						
		231348 Bushing-Valve Guide (Exhaust)						

★ Engine Gasket Set-Reference 358.
● Carburetor Overhaul Kit-Reference 121.

◆ Carburetor Gasket Set-Reference 977.
△ Valve Gasket Set-Reference 1095.

Illustrations cover a range of engines. Parts shown without corresponding text may not be used on your specific engine.
5546-11 Assemblies include all parts shown in frames. 05/10/2004