

95500 to 95599

Illustrated Parts List

Model Series 95500 to 95599 NON-COMPLIANCE

TYPE NUMBERS
0015 through 0017
0050 through 0052
0117, 0136, 0137
0150 through 0187

TO FIND

THE CORRECT NUMBER OF THE PART YOU NEED:

FOLLOW THE INSTRUCTIONS BELOW

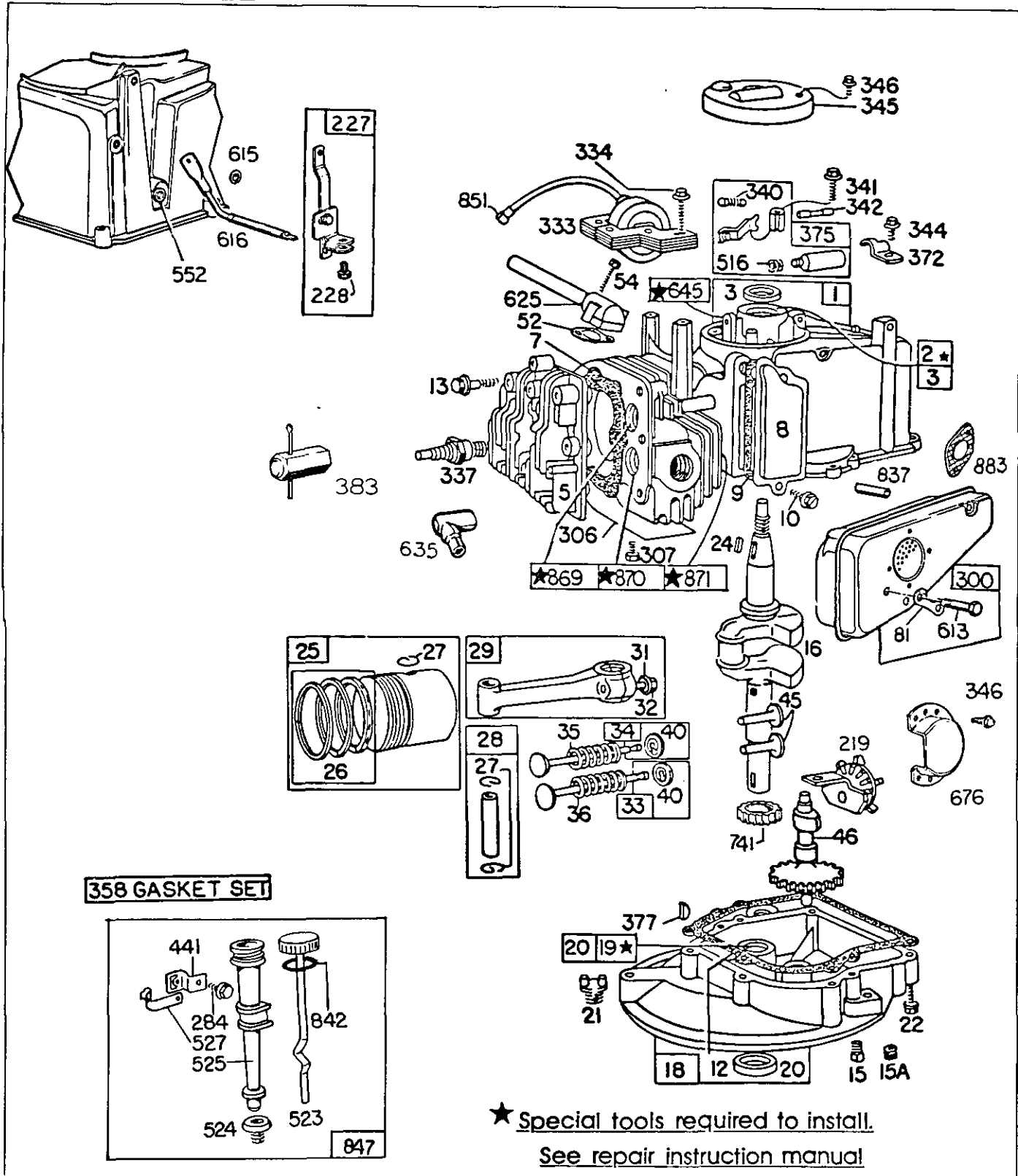
- A. Refer to Engine Model, Type and Code Number that is stamped on the blower housing of engine. Engine type numbers such as 012301 are listed herein only as 0123. The two digits (01 or 02, etc.) to the right of the space are not needed for parts identification. Then use the Illustrated Parts List covering the Model Series.
- B. Refer to Illustrated Parts section and compare the old part with illustration. The number on the illustration is the Reference Number. Assemblies include all parts shown in frames. All parts shown in assembly frames on which individual reference numbers are given can be purchased separately.
- C. After the Reference Number has been identified, refer to the Numerical Parts List, where Reference and Master Part Number are listed. **THE MASTER PART IS USED ON ALL TYPE NUMBERS EXCEPT THOSE TYPE NUMBERS UNDER "NOTE".**
- D. If a "Note" appears below the Master Part Number, this means that this part differs from the Master Part for certain types. If the Type number is listed under "Note", order the part referred to.
- E. If the Engine Type Number does not appear after any part number listed under "Note", use the Master Part Number.
- F. For Type Numbers higher than those covered by this book, please refer to the factory if you are unable to identify the part by comparison.

PRINTED IN U.S.A.

COPYRIGHT ©

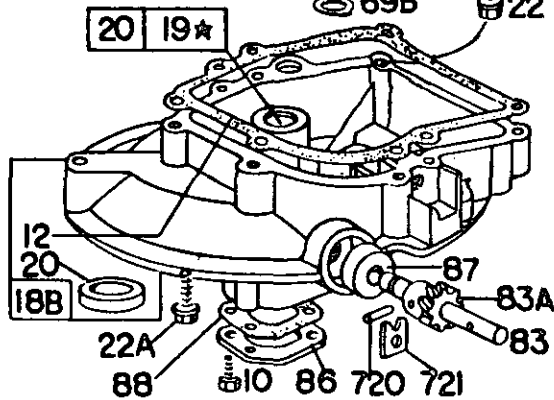
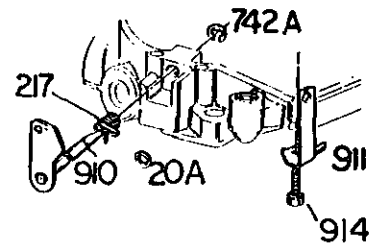
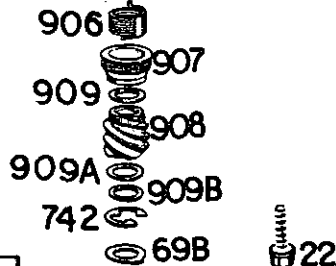
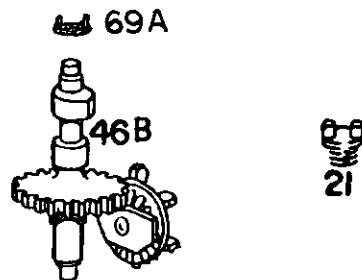
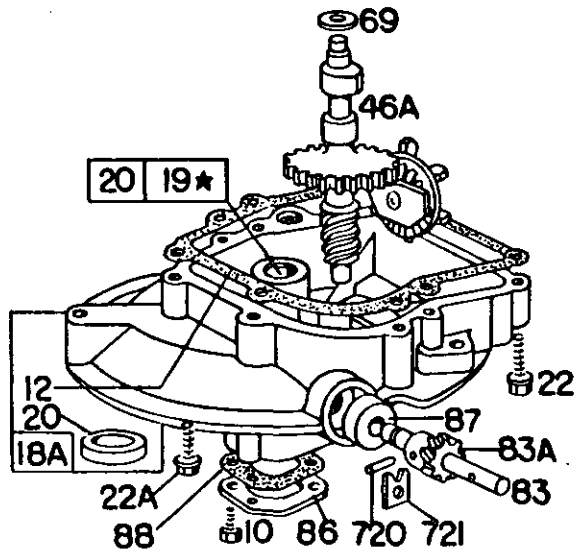


95500 to 95599



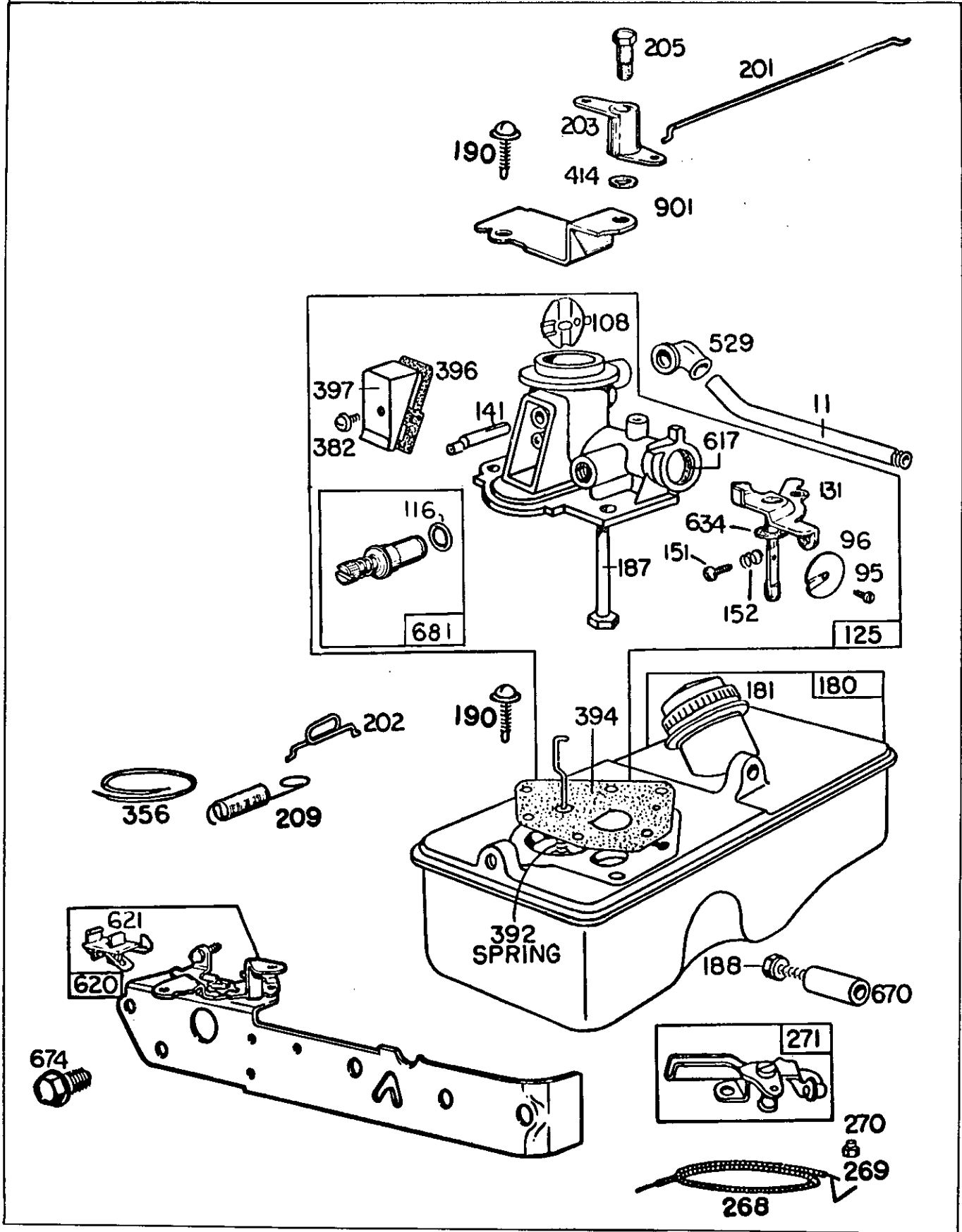
955-1-52

Assemblies include all parts shown in frames.



***NOTE-SPECIAL TOOLS REQUIRED FOR INSTALLING**
SEE REPAIR INSTRUCTION MANUAL

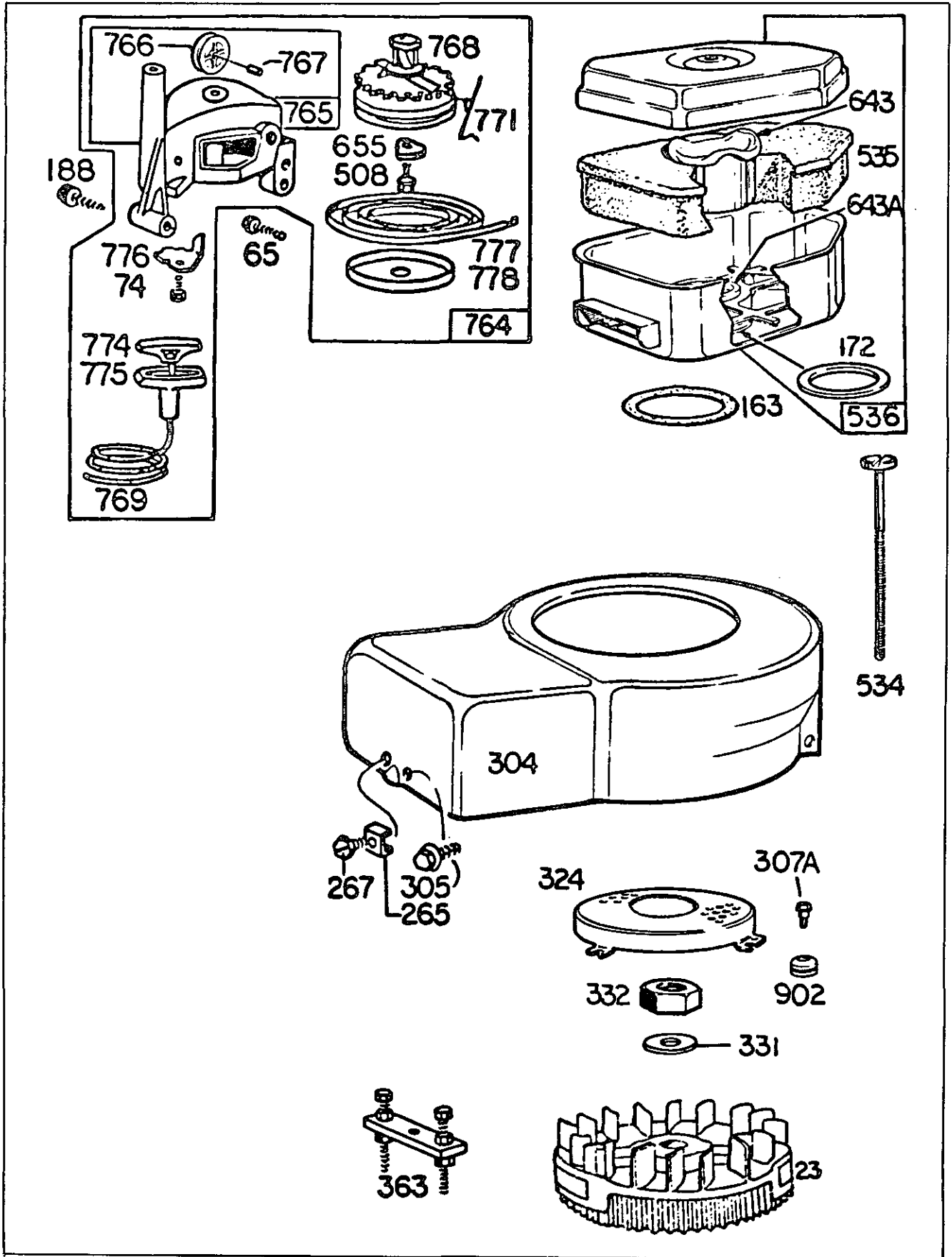
95500 to 95599



955-3-52

Assemblies include all parts shown in frames.

95500 to 95599



955-4-52

Assemblies include all parts shown in frames.

95500 to 95599

REF. NO.	PART NO.	DESCRIPTION	REF. NO.	PART NO.	DESCRIPTION	REF. NO.	PART NO.	DESCRIPTION
1	394094	Cylinder Assembly	22	93032	Screw—Sump Mtg. Sem	46	210453	Gear—Cam
2	293708	Bushing—Cylinder	22A	93415	Screw—Sump Mtg. Sem (One used in Auxiliary Drive Gear Sump)	46A	394333	Cam Gear, Worm and Oil Slinger Assy.
	Note:	Requires special tools for installation.		Note:	Use 93032 Screw in the other (5) Sump mounting holes.		Note:	394335 Cam Gear Worm and Oil Slinger Assy. Used on Type Nos. 0051, 0163, 0170.
3	299819	Seal—Oil			Use (4) 93032 Screws with Ref. 914 Screw on Clutch Type	46B	394053	Cam Gear, Oil Slinger Assembly (For Clutch)
5	211479	Head—Cylinder	23	394032	Flywheel—Magneto	52	*270345	Gasket—Intake Elbow
7	*270341	Gasket—Cylinder Head	24	61760	Key—Flywheel	54	93485	Screw—Intake Elbow Mounting
8	298383	Breather—Valve Chamber	25	298904	Piston Assy.—Standard	65	93587	Screw—Vertical Pull Starter Mounting
9	*270239	Gasket—Valve Cover		298905	Piston Assy.—.010" O.S.	69	66718	Washer—Thrust (1-1/16" O.D. x 17/32" I.D.)
10	93394	Screw—Breather and P.T.O. Gear Sump Cover (Ref. No. 86) Mounting Sem		298906	Piston Assy.—.020" O.S.		Note:	68938 Washer—Thrust Used on Type Nos. 0051, 0163.
11	230802	Tube—Breather		298907	Piston Assy.—.030" O.S.	69A	223225	Washer—Clip
12	*270833	Gasket—Crankcase—.015" thick (Standard)	MODEL 95500 SERIES PISTON RING SETS:			69B	223228	Washer—Thrust
	*270895	Gasket—Crankcase—.005" thick		Note:	For Chrome Piston Ring Set—Standard Size—order Part No. 299742.	74	93490	Screw—Sem
	*270896	Gasket—Crankcase—.009" thick	26	298982	Ring Set—Standard Piston	81	223256	Lock—Muffler Screw
13	93111	Screw—Cylinder Head (1-15/16" long)		298983	Ring Set—.010" O.S. Piston	83	230831	Shaft—Drive
15	91084	Plug—Oil Drain (Square Head)		298984	Ring Set—.020" O.S. Piston		Note:	230948 Shaft—Drive Used on Type Nos. 0051, 0052, 0163, 0169.
15A	93418	Plug—Oil Drain (Socket Head)		298985	Ring Set—.030" O.S. Piston	83A	231278	Gear—Drive
16	394030	Crankshaft	27	26026	Lock—Piston Pin		Note:	230906 Gear—Drive Used on Type No. 0170.
	Note:	394322 Crankshaft Used on Type Nos. 0016, 0052, 0151, 0152, 0153, 0159, 0161, 0162, 0166, 0168, 0172, 0180, 0182, 0183, 0185.	28	298909	Pin Assembly—Piston—Standard			231279 Gear—Drive Used on Type Nos. 0051, 0163, 0169, 0186.
		394371 Crankshaft Used on Type Nos. 0017, 0154, 0167, 0175, 0176, 0178, 0184, 0186.		298908	Pin Assembly—Piston—.005" O.S.	86	221780	Cover—Sump
		394507 Crankshaft Used on Type Nos. 0158, 0164.	29	294201	Rod Assy.—Connecting	87	391484	Seal—Oil
18	394157	Sump—Oil		Note:	For Connecting Rod with .020" undersize Crankpin Bore—order No. 296079.	88	*270328	Gasket—Sump Cover
18A	391645	Sump—Oil	31	222282	Washer—Connecting Rod Screw	95	93499	Screw—Throttle Valve Mounting Sem
18B	394746	Sump—Oil (For Clutch)	32	92296	Screw—Connecting Rod	96	211203	Valve—Throttle
19	293709	Bushing—Oil Sump	33	296676	Valve—Exhaust	108	280178	Valve—Choke
	Note:	Requires special tools for installation.	34	296677	Valve—Intake	116	280203	Seal—O-Ring
20	391483	Seal—Oil	35	260552	Spring—Intake Valve	125	394596	Carburetor Assembly
20A	280266	Seal—Oil	36	26478	Spring—Exhaust Valve	131	394593	Shaft and Lever—Throttle
21	66768	Plug—Oil Filler	40	93312	Retainer—Valve Spring	141	68908	Shaft—Choke
			45	230173	Tappet—Valve			

*Included in Gasket Set—Part No. 298989.

95500 to 95599

REF. NO.	PART NO.	DESCRIPTION	REF. NO.	PART NO.	DESCRIPTION	REF. NO.	PART NO.	DESCRIPTION
151	93524	Screw—Machine, Rd. Hd.—5-40 x 1/2"	269	26099	Wire—Control, 54" long	345	220366	Cover—Breaker Point and Condenser
152	260746	Spring—Throttle Adj.		Note:	If longer wire is needed, specify length in inches; if shorter wire is needed, order No. 26099 and cut to required length.	346	93705	Screw—Hex. Hd. Sem
163	271139	Gasket—Air Cleaner Mounting	270	63426	Locknut—Control Wire Casing	356	298479	Wire—Ground
172	271273	Gasket—Air Cleaner	271	290568	Lever Assy.—Control	358	298989	Gasket Set
180	393113	Tank Assembly—Fuel	284	93572	Screw—Clamp Mtg.	363	19069	Puller—Flywheel (Optional Accessory)
181	298425	Cap—Fuel Tank	300	394644	Muffler—Exhaust	372	220477	Clamp—Condenser
187	393001	Pipe—Fuel		Note:	393400 Muffler—Exhaust Used on Type Nos. 0175, 0177, 0178, 0182, 0186, 0187.	375	294628	Breaker Points and Condenser Set
188	93585	Screw—Fuel Tank and Starter Mounting	304	394249	Housing—Blower (For Vertical Pull Starter) Used on Model 95508 Series.		Note:	299061 Ignition Kit
190	93440	Screw—Fuel Tank Mounting Sem	305	93559	Screw—Blower Housing Mounting Sem		Includes:	294628 Point Set
201	261539	Link—Governor	306	223048	Shield—Cylinder			65704 Plunger
202	261541	Link—Throttle	307	93490	Screw—Cylinder Shield Mounting Sem			61760 Key—Flywheel
203	280272	Crank—Bell	307A	93926	Screw—Shoulder	377	93065	Key—Woodruff, No. 6
205	93838	Screw—Shoulder	324	223006	Screen—Rotating	382	93864	Screw—Choke Link Cover
209	261618	Spring—Governor For 3200 to 3400 RPM Top Speed Set - No Load	331	223047	Washer—Flywheel	383	89838	Wrench—Spark Plug
	Note:	261642 Spring—Gov. (2900 to 3100 RPM) Used on Type Nos. 0015, 0016, 0017, 0050, 0051, 0052, 0151, 0155, 0156, 0157, 0159, 0163, 0164, 0166, 0167, 0168, 0170, 0171, 0172, 0174, 0176, 0179, 0180, 0182, 0187.	332	92284	Nut—Flywheel	392	261016	Spring—Diaphragm
		261643 Spring—Gov. (3500 to 3700 RPM) Used on Type Nos. 0161, 0183.	333	298502	Armature—Magneto	394	299637	Diaphragm—Carburetor
		261644 Spring—Gov. (2600 to 2800 RPM) Used on Type Nos. 0181, 0184.	334	93381	Screw—Armature Mounting Sem	396	270571	Gasket—Choke Link Cover
217	261520	Spring—Return (Clutch Lever)	337	298809	Plug—Spark 1-1/2" High—(37-42 MM)	397	211678	Cover—Choke Link
219	394053	Oil Slinger Assembly		Note:	29693 Plug—Spark 2" High—(51 MM)	414	220982	Washer
227	394115	Lever Assy.—Governor			293918 Plug—Spark 1-1/2" High—(37 MM) (Resistor Type)	441	222530	Bracket—Oil Fill Tube
228	93758	Screw—Hex. Hd.			392588 Plug—Spark 2" High—(51 MM) (Resistor Type)	508	93158	Screw—Sem
265	22372	Clamp—Casing	340	26018	Spring—Breaker Arm	516	260374	Spring—Connector (Condenser Post)
267	93469	Screw—Clamp Mtg.	341	93381	Screw—Breaker Arm Mounting Sem	523	391838	Cap with Dipstick—Oil Filler
268	66986	Casing—Control Wire—48" long	342	65704	Plunger—Breaker Point	524	68838	Seal—Filler Tube
	Note:	If longer casing is needed, specify length in inches; if a shorter casing is needed, order No. 66986 and cut to required length.	344	93042	Screw—Condenser Clamp Mounting Sem	525	280131	Tube—Oil Filler
						527	222548	Clamp—Oil Filler Tube
						529	67838	Grommet—Breather
						534	93928	Screw—Air Cleaner
						535	270579	Element—Air Cleaner
						536	394214	Cleaner Assembly—Air
						552	230732	Bushing—Governor Shaft
						613	93935	Screw—Muffler Mounting
						615	93307	Retainer—E-Ring
						616	394075	Crank—Governor
						617	270344	Seal—Intake Tube
						620	394056	Plate—Carburetor Control
							Note:	394213 Plate—Carb. Control
								Used on Type Nos. 0015, 0016, 0017, 0050, 0051, 0052.
						621	297472	Switch—Stop

95500 to 95599

REF. NO.	PART NO.	DESCRIPTION	REF. NO.	PART NO.	DESCRIPTION	REF. NO.	PART NO.	DESCRIPTION
625	298775	Tube—Fuel Intake	765	299947	Housing—Vertical Pull Starter	869	210879	Seat—Intake Valve (Standard)
634	270167	Washer—Throttle Shaft (Felt)	766	280022	Pulley—Rope (Small)	870	211291	Seat—Exhaust Valve (Standard)
635	66538	Elbow—Spark Plug	767	231048	Pin—Small Rope Pulley (7/16- long)	871	63709	Guide—Exhaust Valve
643	222991	Cup—Air Cleaner	768	299948	Pulley and Gear Assy.	883	270774	Gasket—Exhaust Pipe
643A	280268	Support—Air Cleaner Element	769	66734	Rope—Vertical Pull Starter	901	223083	Bracket—Bell Crank
645	23513	Bushing—Plunger	771	299961	Clip—Vertical Pull Starter	902	280271	Grommet—Screen
655	222057	Anchor—Spring	774	280121	Insert—Starter Handle	906	261650	Spring—Torsion
670	93912	Spacer—Fuel Tank	775	280036	Grip—Starter Rope	907	394871	Sleeve Assy.—Clutch
674	93559	Screw—Tank to Bracket	776	222094	Guide—Rope	908	231220	Gear—Worm
676	222238	Deflector—Muffler (Side Outlet)	777	390066	Spring—Vertical Pull Starter		Note:	231219 Gear—Worm Used on Type Nos. 0169, 0186.
681	395508	Needle Valve	778	280021	Cover—Vertical Pull Starter Cover	909	271417	Washer—Thrust
720	93474	Pin—Gear to Shaft	837	222241	Spacer—Muffler Mtg.	909A	271418	Washer—Thrust
721	221779	Stop—Drive Shaft	842	270920	Seal—Oil Filler Cap	909B	271312	Washer—Thrust
741	261533	Gear—Timing	847	392055	Tube Assy.—Oil Fill	910	394051	Lever Assy.—Clutch
742	93525	Ring—Retaining	851	221798	Terminal—Ignition Cable	911	223009	Control Bracket—Clutch
742A	93925	Ring—Retaining (Clutch Lever)				914	93970	Screw—Bracket Mtg. Sem
764	391486	Starter Assembly—Vertical Pull						