

**95720 to 95799**  
**96720 to 96799**

## Illustrated Parts List

### Model Series 95720 to 95799 Non-Compliance

TYPE NUMBERS  
0100, 0102, 0110, 0111,  
0122 through 0125  
0200 through 0227

### Compliance

TYPE NUMBERS  
3100 through 3102  
3110 through 3116  
3122, 3125,  
3200 through 3203  
3205

### Model Series Industrial/Commercial 96720 to 96799 Non-Compliance

TYPE NUMBERS  
0024, 0025, 0044,  
0045, 0100, 0102,  
0110 through 0112  
0122 through 0125  
0142  
0200 through 0207  
0210 through 0226

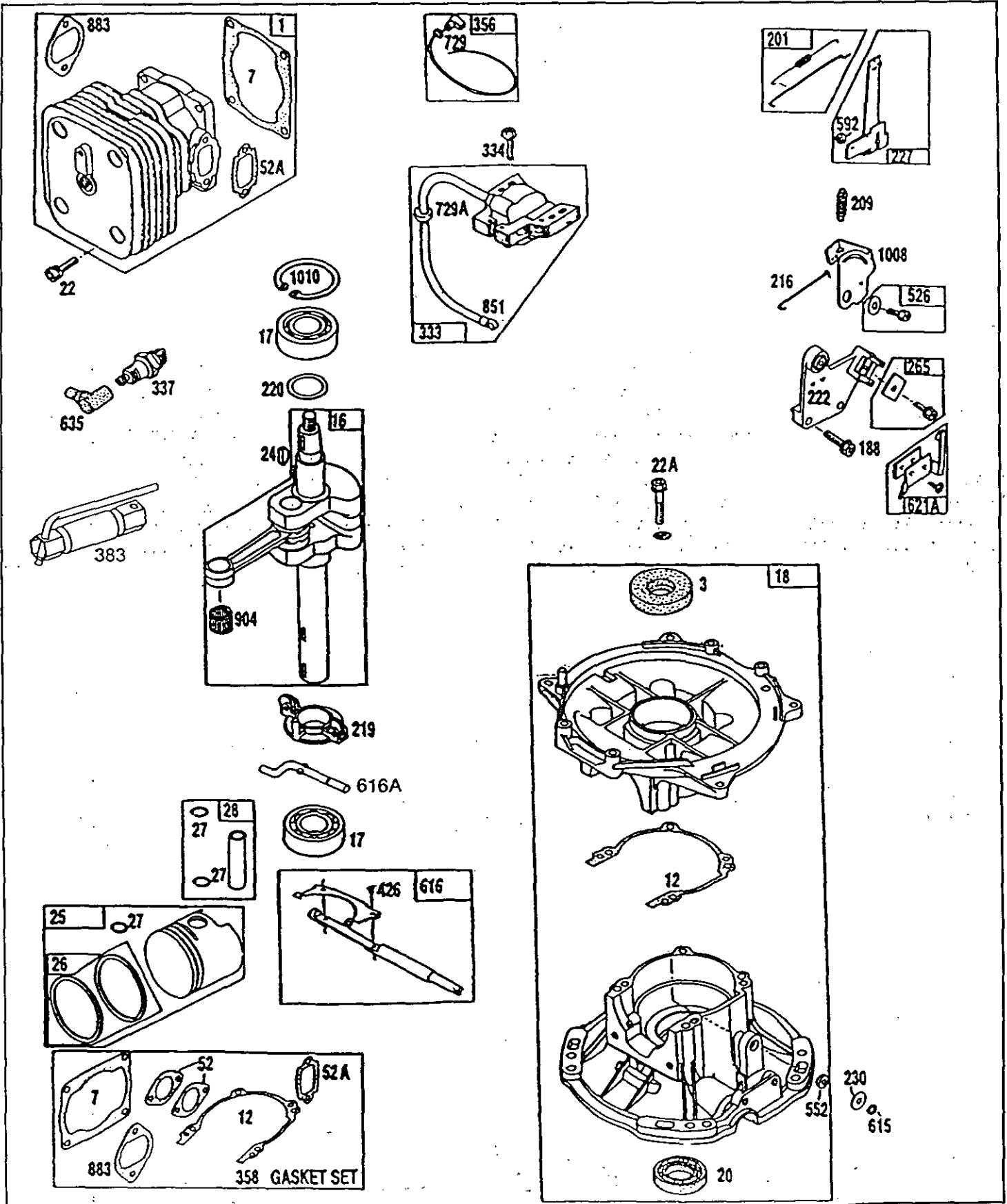
### Compliance

TYPE NUMBERS  
3024, 3025, 3044,  
3045, 3100, 3101, 3102,  
3110 through 3115  
3122, 3124, 3125,  
3200 through 3215

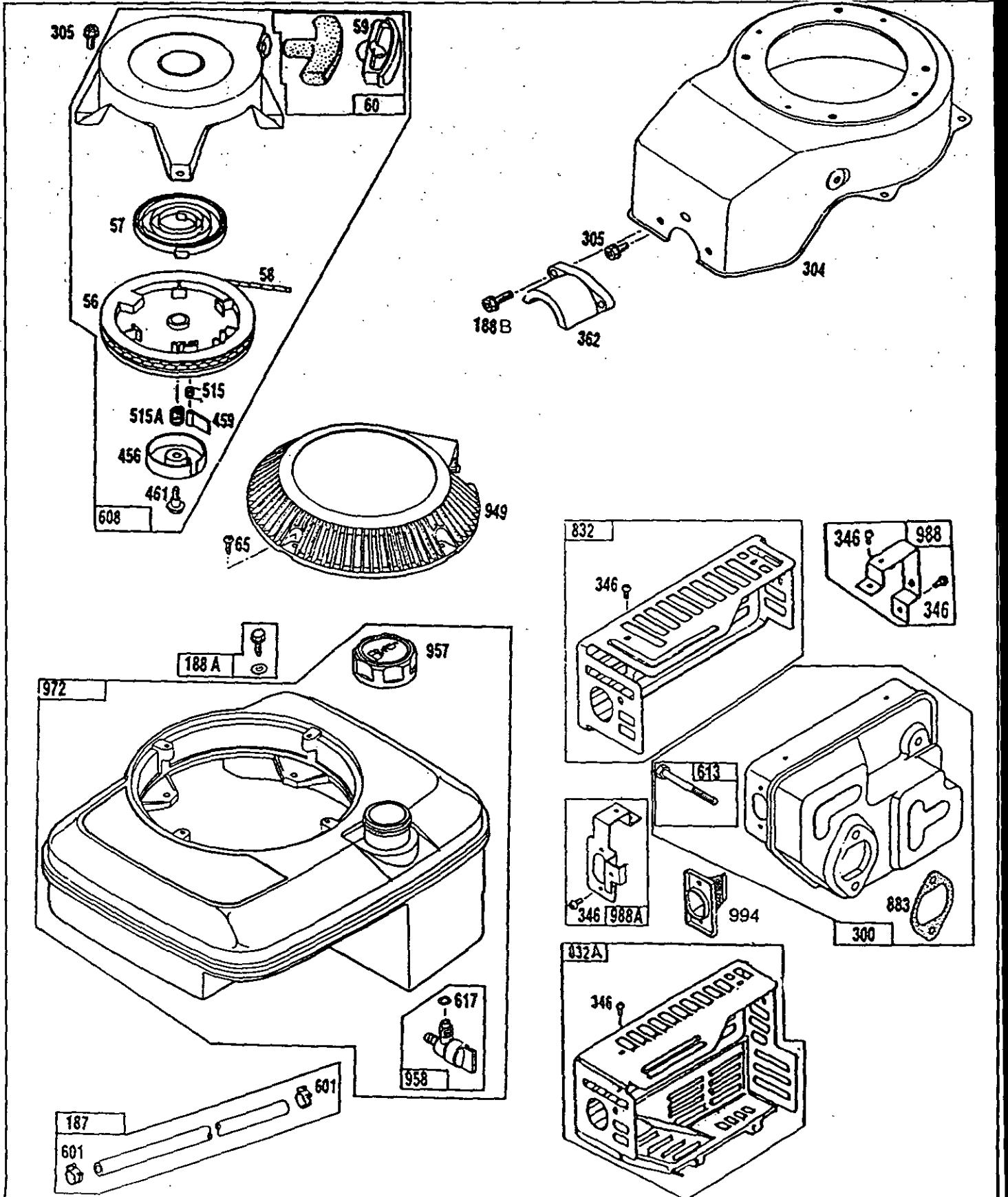
**TO FIND  
THE CORRECT NUMBER OF THE PART YOU NEED:  
FOLLOW THE INSTRUCTIONS BELOW**

- A. Refer to Engine Model, Type and Code Number that is stamped on the blower housing of engine. Engine type numbers such as 012301 are listed herein only as 0123 in most instances. The two digits (01 or 02, etc.) to the right of the space may be needed for more accurate parts identification. Then use the Illustrated Parts List covering the Model Series.
- B. Refer to Illustrated Parts section and compare the old part with illustration. The number on the illustration is the Reference Number. Assemblies include all parts shown in frames. All parts shown in assembly frames on which individual reference numbers are given can be purchased separately.
- C. After the Reference Number has been identified, refer to the Numerical Parts List, where Reference and Master Part Number are listed. **THE MASTER PART IS USED ON ALL TYPE NUMBERS EXCEPT THOSE TYPE NUMBERS UNDER "NOTE."**
- D. If a "Note" appears below the Master Part Number, this means that this part differs from the Master Part for certain types. If the Type number is listed under "Note," order the part referred to.
- E. If the Engine Type Number does not appear after any part number listed under "Note," use the Master Part Number.
- F. For Type Numbers higher than those covered by this book, please refer to the factory if you are unable to identify the part by comparison.

95700 to 95799  
96700 to 96799

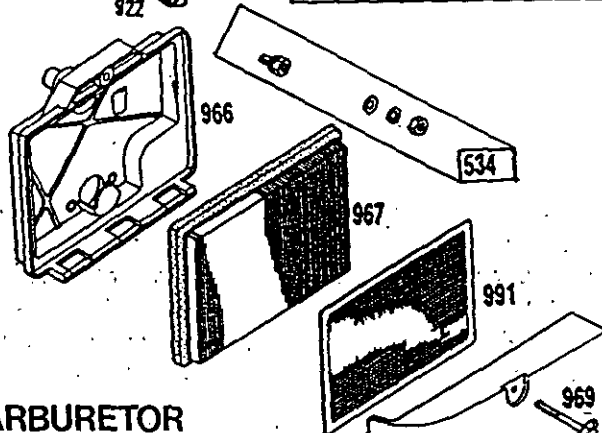
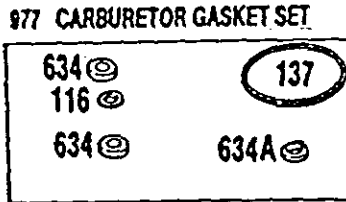
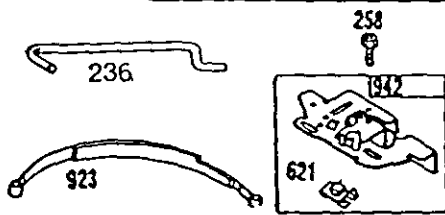


95700 to 95799  
96700 to 96799

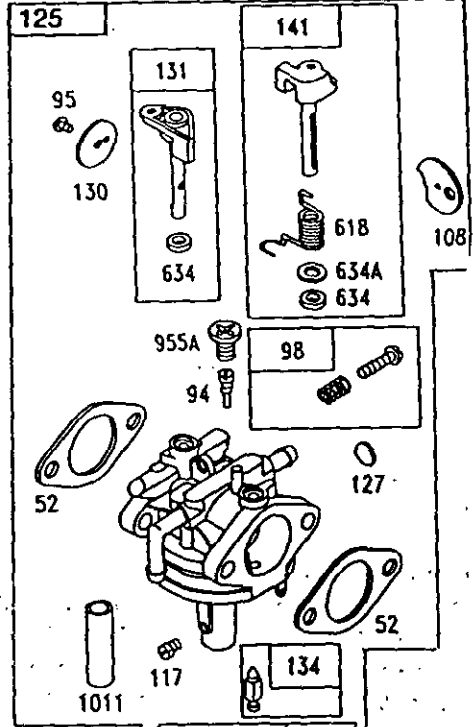


95700 to 95799  
96700 to 96799

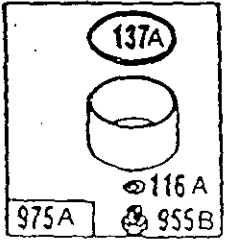
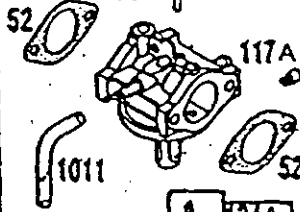
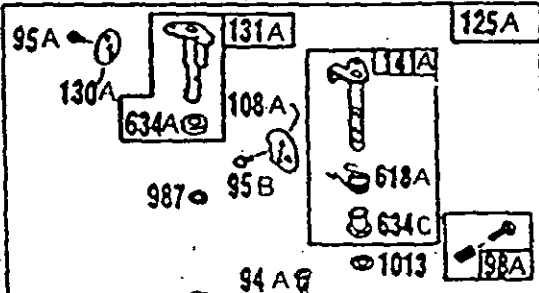
121 CARBURETOR OVERHAUL KIT



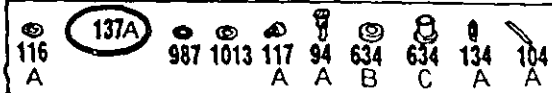
WALBRO CARBURETOR



MIKUNI CARBURETOR



121A CARBURETOR OVERHAUL KIT



977A CARBURETOR GASKET SET



REF. NO.	PART NO.	DESCRIPTION	REF. NO.	PART NO.	DESCRIPTION	REF. NO.	PART NO.	DESCRIPTION
1	802516	Cylinder Assembly <b>Note:</b> 802600 Cylinder Assembly Used on Model 96720 Series Type No. 0216.			Series Type Nos. 0213, 0221, 3201, 3205, and Model 96720	98	802617	Screw Assembly—Idle Adjustment
3	802525	Seal—Oil			Series Type Nos. 0045, 0207, 0213, 0222, 0226, 3045, 3215.	98A	802539	Screw Assembly—Idle Adjustment
7	*800045	Gasket—Cylinder Mounting	17	802524	Bearing—Ball	104	◦800144	Pin—Float Hinge
12	*800055	Gasket—Crankcase	18	802598	Crankcase Assembly (Used After Code Date 88080800). <b>Note:</b> 802521 Crankcase Assembly (Used Before Code Date 88080900).	104A	◦800065	Pin—Float Hinge
16	802562	Crankshaft and Connecting Rod Assembly <b>Note:</b> 802563 Crankshaft and Connecting Rod Assembly Used on Model 95720 Series Type Nos. 0110, 0111, 0123, 0125, 0201, 0204, 0206, 0207, 0208, 0211, 0222, 0224, 0225, 3113, 3114, 3115, 3116, 3125, and Model 96720 Series Type Nos. 0025, 0110, 0111, 0123, 0125, 0201, 0202, 0204, 0211, 0215, 0218, 0225, 3025, 3112, 3114, 3125, 3203, 3209, 3211. 802584 Crankshaft and Connecting Rod Assembly Used on Model 95720 Series Type Nos. 0212, 0214, 0215, 0219, 0227, 3202, and Model 96720 Series Type Nos. 0044, 0142, 0205, 0212, 0214, 0216, 0219, 0220, 3044, 3204, 3205, 3208, 3212, 3213, 3214. 802586 Crankshaft and Connecting Rod Assembly Used on Model 95720	20	802526	Seal—Oil	108	800157	Valve—Choke
			22	802554	Screw—Cylinder Mounting (Includes 1 of each Screw, Lockwasher and Washer)	108A	800069	Valve—Choke
			22A	802555	Screw—Crankcase	116	◦◦	Gasket—Sealing (Sold in Kit Only)
			23	802506	Flywheel—Magneto <b>Note:</b> 802596 Flywheel—Magneto Used on Model 96720 Series Type No. 0216.	116A	◦▲	Gasket—Sealing (Sold in Kit Only)
			24	800036	Key—Flywheel	117	◦800145	Jet—High Speed (#84) <b>Note:</b> 800156 Jet—High Speed (#82) (For 4000—7000 Ft.) 800162 Jet—High Speed (#80) (Above 7000 Ft.)
			25	802515	Piston Assembly	117A	◦800075	Jet—High Speed (#82.5) <b>Note:</b> 800116 Jet—High Speed (#80) (for 4000—7000 Ft.) 800117 Jet—High Speed (#77.5) (for 7000—10000 Ft.)
			26	802514	Ring Set—Piston	121	802618	Carburetor Overhaul Kit
			27	800012	Lock—Piston Pin	121A	802513	Carburetor Overhaul Kit
			28	802512	Pin Assembly—Piston	122	800041	Spacer—Carburetor
			52	*800040	Gasket—Carburetor Mounting	124	802553	Screw—Carburetor Spacer Sem
			52A	*800042	Gasket—Intake Port	125	802619	Carburetor Assembly (Walbro)
			56	800011	Pulley—Rewind Starter	125A	802531	Carburetor Assembly (Mukuni)
			57	802508	Spring—Rewind Starter	127	◦223472	Plug—Welch
			58	280399	Rope—Starter Cut to Required Length 87" with Band Brake 57" without Band Brake	130	800152	Valve—Throttle
			59	490653	Insert—Starter Rope	130A	800073	Valve—Throttle
			60	490652	Grip—Starter Rope	131	802614	Shaft Assembly—Throttle
			65	802541	Screw—Guard Mounting	131A	802536	Shaft Assembly—Throttle
			94	◦800150	Jet—Idle Speed	133	802610	Float Assembly—Carburetor
			94A	◦800076	Jet—Idle Speed	133A	802533	Float Assembly—Carburetor
			95	800153	Screw—Valve Mounting	134	◦802611	Valve Assembly—Fuel Inlet
			95A	802557	Screw—Throttle Valve	134A	◦802538	Valve Assembly—Fuel Inlet
			95B	802556	Screw—Choke Valve			

\* Included in Gasket Set—Part No. 802558.

◆ Included in Carburetor Gasket Set—Part No. 802621.

● Included in Carburetor Overhaul Kit—Part No. 802618.

◦ Included in Carburetor Overhaul Kit—Part No. 802513.

▲ Included in Carburetor Gasket Set—Part No. 802561.

**95720 to 95799**  
**96720 to 96799**

REF. NO.	PART NO.	DESCRIPTION	REF. NO.	PART NO.	DESCRIPTION	REF. NO.	PART NO.	DESCRIPTION
137	♦♦	Gasket-Bowl (Sold in Kit Only)	216	800132	Link-Choke (Used After Code Date 88080800).	358	802558	Gasket Set
137A	◦▲	Gasket-Bowl (Sold in Kit Only)			<b>Note:</b> 800026 Link-Choke (Used Before Code Date 88080900).	362	800085	Guard-Spark Plug
141	802613	Shaft Assembly-Choke				363	19069	Puller-Flywheel
141A	802534	Shaft Assembly-Choke				383	89838	Wrench-Spark Plug
187	296004	Fuel Line Assembly (Cut to Required Length).	219	802597	Governor Assembly <b>Note:</b> 802517 Governor Assembly (Used Before Code Date 88080900).	426	800127	Screw-Fork Mtg. (Used After Code Date 88080800).
188	802545	Screw-Hex Head Sem				455	800008	Cup-Flywheel
188A	802566	Screw-Fuel Tank				455A	802591	Cup-Flywheel
188B	802587	Screw-Hex Head Sem	220	800093	Thrust Washer	456	800015	Retainer
201	802551	Governor Link and Spring Assembly	222	800121	Bracket-Control <b>Note:</b> 800027 Bracket-Control (Used Before Code Date 88080900).	459	800014	Dog-Starter
209	800133	Spring-Governor (Brown) (Used After Code Date 88080800).				461	800013	Screw-Retainer
		<b>800087</b> Spring-Governor (Used Before Code Date 88080900). (For 3000 to 3300 RPM Top Speed-No Load)	227	802509	Lever Assembly-Governor	515	800016	Spring-Dog
		<b>Note:</b> 800123 Spring-Governor (Green) (For 2600 to 2900 RPM Top Speed-No Load) Used on Model 96720 Series Type Nos. 0214, 0217, 0219, 3213.	230	800060	Washer-Governor Crank (Used Before Code Date 88080900).	515A	800017	Spring-Brake
		<b>800125</b> Spring-Governor (Black) (Used After Code Date 88080800).	236	262461	Link-Brake Lock-Out	526	802550	Screw-Swivel Mounting
		<b>800088</b> Spring-Governor (Used Before Code Date 88080900). (For 3400 to 3600 RPM Top Speed-No Load) Used on Model 95720 Series Type Nos. 0208, 0217, 0218, 0223, 3203, and Model 96720 Series Type Nos. 0222, 0226, 3207, 3210.	258	802548	Screw-Bracket Mounting	534	802543	Screw-Air Cleaner Base Sem
			265	802549	Clamp-Casing (Includes Lockwasher)	552	802599	Oil Seal-Governor Shaft (Used After Code Date 88080800).
			300	802500	Muffler Assembly <b>Note:</b> 802580 Muffler Assembly Used with DIN Guard Ref. 832A.			<b>Note:</b> 802522 Oil Seal-Governor Shaft (Used Before Code Date 88080900).
			304	802504	Housing-Blower Used on Engines <b>Without</b> Band Brake. <b>Note:</b> 802568 Housing-Blower Used on Engines <b>With</b> Band Brake.	592	802575	Nut-Governor Lever
			305	802546	Screw-Hex Head Sem	601	93053	Clamp-Fuel Line
			332	800009	Nut-Flywheel	608	802505	Starter Assembly-Rewind
			333	802574	Armature-Magneto	613	802507	Screw-Muffler
			334	802544	Screw-Armature Mounting Sem	615	800058	Retainer-E-Ring
			337	802592	Plug-Spark (Resistor Type with Gasket)	616	802601	Crank-Governor (Used After Code Date 88080800).
			346	802540	Screw-Guard Mounting	616A	800059	Crank-Governor (Used Before Code Date 88080900).
			356	802590	Wire-Ground	617	280670	O-Ring-Shut-Off Valve
						618	800154	Spring-Choke Shaft
						618A	800067	Spring-Choke Shaft
						621	396847	Stop Switch Assembly
						621A	802560	Stop Switch Assembly
						634	♦♦	Seal-Dust (Sold in Kit Only)
						634A	•	Washer-Choke Shaft (Sold in Kit Only)
						634B	◦▲	Spacer-Throttle Shaft (Sold in Kit Only)
						634C	◦▲	Spacer-Choke Shaft (Sold in Kit Only)

★ Included in Gasket Set-Part No. 802558.

◆ Included in Carburetor Gasket Set-Part No. 802621.

• Included in Carburetor Overhaul Kit-Part No. 802618.

◦ Included in Carburetor Overhaul Kit-Part No. 802513.

▲ Included in Carburetor Gasket Set-Part No. 802561.

**95720 to 95799**  
**96720 to 96799**

REF. NO.	PART NO.	DESCRIPTION	REF. NO.	PART NO.	DESCRIPTION	REF. NO.	PART NO.	DESCRIPTION	
635	66538	Elbow-Spark Plug	949	800084	Cover-Finger Gard (Black)			<b>Note:</b> 802564 Tank Assembly-Fuel (Red)	
729	802547	Grommet		<b>Note:</b> 800099	Cover-Finger Gard (Red)			802589 Tank Assembly-Fuel (White)	
729A	802569	Grommet		800113	Cover-Finger Gard (White)	975	802612	Bowl Assembly-Carburetor	
832	802501	Guard-Muffler (Black)		955	800149	Screw-Bowl Mounting	975A	802532	Bowl Assembly-Carburetor
	<b>Note:</b> 802567	Guard-Muffler (Chrome)	955A	800163	Plug-Jet Cover	977	802621	Carburetor Gasket Set	
832A	802578	Guard-Muffler (Black)	955B	800053	Screw-Bowl Mounting	977A	802561	Carburetor Gasket Set	
	<b>Note:</b> 802582	Guard-Muffler (Chrome)	957	800006	Cap-Fuel Tank (50:1)	987	800072	Seal-Throttle Shaft	
851	221798	Terminal-Spark Plug		<b>Note:</b> 802593	Cap-Fuel Tank (32:1)	988	802510	Bracket-Guard Mounting	
883	*800000	Gasket-Muffler Mounting	958	399517	Valve-Shut Off	988A	802511	Bracket-Guard Mounting	
904	802518	Needle Bearing-Piston Pin	966	802542	Base-Air Cleaner	991	399039	Prefilter	
922	261647	Spring-Band Brake	967	397795	Filter-Air Cleaner	994	802502	Spark Arrester	
923	394867	Brake Assembly-Band	968	800083	Cover-Air Cleaner (Black)	1008	800028	Swivel Lever	
	<b>Note:</b> 802595	Brake Band Retainer (Used Before Code Date 88041300).		<b>Note:</b> 800098	Cover-Air Cleaner (Red)	1010	800057	Retainer-Bearing	
942	397668	Bracket-Band Brake Assembly		800114	Cover-Air Cleaner (White)	1011	800160	Tube-Vent	
			969	800030	Screw-Cover Mounting	1011A	800079	Bowl-Vent Tube	
			972	802503	Tank Assembly-Fuel (Black)	1013	800082	Seal-Choke Shaft	

\* Included in Gasket Set-Part No. 802558.

◆ Included in Carburetor Gasket Set-Part No. 802621.

● Included in Carburetor Overhaul Kit-Part No. 802618.

○ Included in Carburetor Overhaul Kit-Part No. 802513.

▲ Included in Carburetor Gasket Set-Part No. 802561.