

**95900 to 95999**

# Illustrated Parts List

## Model Series

### 95900 to 95999

**TYPE NUMBERS**

0100, 0101, 0102,  
0106 through 0115,  
0117 through 0126,  
0128 through 0139,  
0206, 0207, 0210,  
0215 through 0229,

**TYPE NUMBERS**

3101 through 3126,  
3128 through 3133,  
3135 through 3177,  
3180 through 3185,  
3187, 3210, 3211,  
3233, 5500, 5510,  
5512 through 5518,  
5530, 5531, 5532.

**TO FIND**

**THE CORRECT NUMBER OF THE PART YOU NEED:  
FOLLOW THE INSTRUCTIONS BELOW**

- A. Refer to Engine Model, Type and Code Number that is stamped on the blower housing of engine. Engine type numbers such as 0123 01 are listed only as 0123 in most instances. The two digits (01 or 02, etc.) to the right of the space may be required for more accurate parts identification in some instances. Select the Illustrated Parts List covering the correct Model Series and Type Number.  
  
Refer to the Illustrations and compare the original part with Illustration. The number next to the illustration is the Reference Number. Assemblies include all parts shown in frames. All parts shown in assembly frames having individual reference numbers can be purchased separately.
- C. After the Reference Number has been identified, refer to the Numerical text, where Reference and Primary Part Number are listed. **THE PRIMARY PART IS USED ON ALL TYPE NUMBERS EXCEPT THOSE TYPE NUMBERS UNDER "NOTE."**
- D. If a "Note" appears below the Primary Part Number, it means that this part differs from the Primary Part for certain types. If your Type number is listed under "Note," order the part referred to at the "Note."
- E. If your Engine Type Number does not appear after any part number listed under "Note," use the Primary Part Number.
- F. For Engine Type Numbers not covered by this book, check other Parts Lists having the same engine model or contact your source of supply.

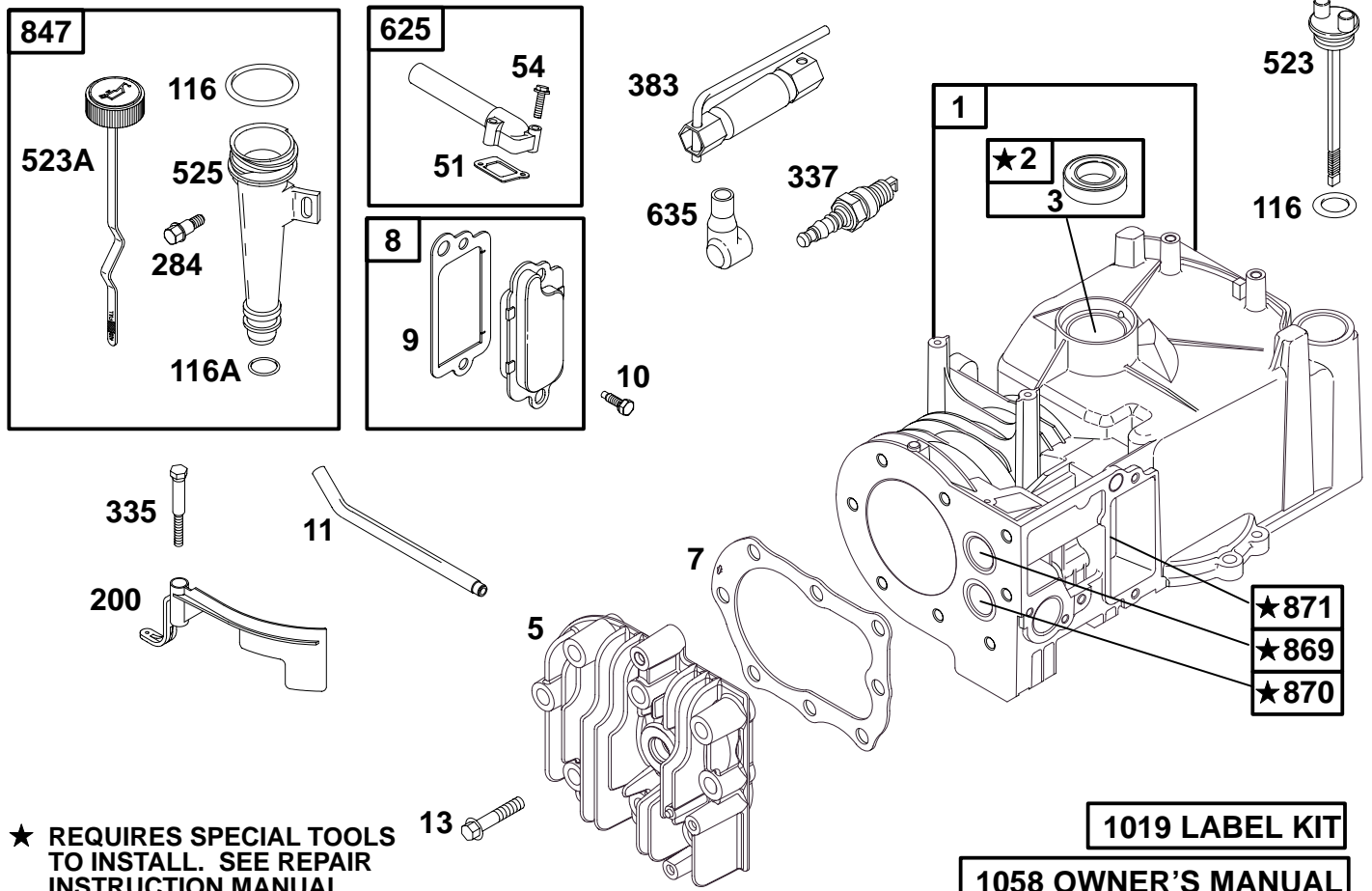


PRINTED IN U.S.A.

COPYRIGHT by BRIGGS & STRATTON CORPORATION  
All rights reserved. No part of this material may be reproduced or transmitted, in any form or by any means, electronic or mechanical, including photocopying, recording or by any information storage and retrieval system, without permission in writing from Briggs & Stratton Corporation.



# 95900 to 95999



★ **REQUIRES SPECIAL TOOLS TO INSTALL. SEE REPAIR INSTRUCTION MANUAL.**

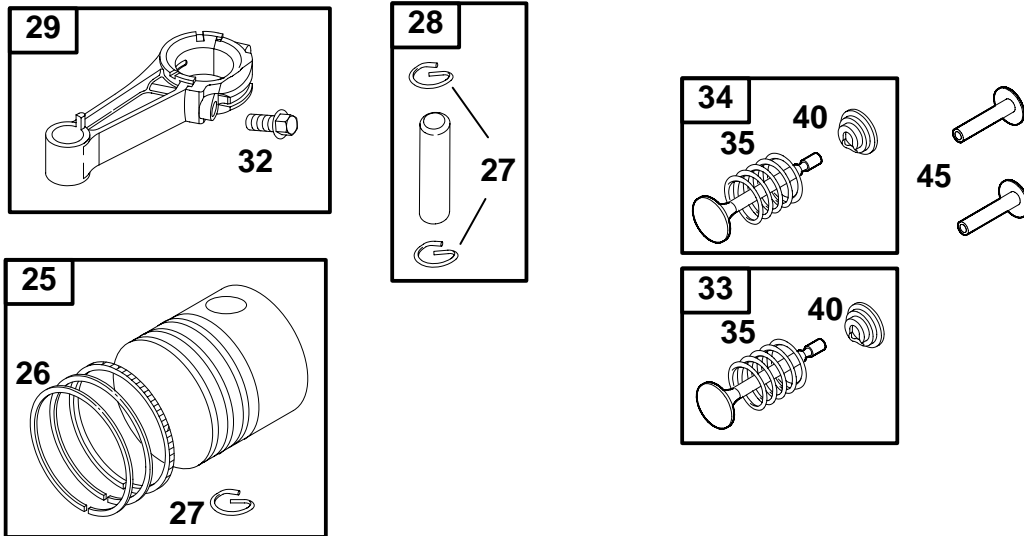
**1019 LABEL KIT**

**1058 OWNER'S MANUAL**

REF. NO.	PART NO.	DESCRIPTION	REF. NO.	PART NO.	DESCRIPTION	REF. NO.	PART NO.	DESCRIPTION
1	399164	Cylinder Assembly	11	231774	Tube-Breather	625	298775	Manifold-Intake
2	293708	Bushing	13	93111	Screw-Hex.	635	66538	Boot-Spark Plug
3	★299819	Seal-Oil	51	★270345	Gasket-Intake	847	497969	Dipstick/Tube Assembly
5	214277	Head-Cylinder	54	93485	Screw-Hex.	869	211172	Seat-Valve (Intake)
		<b>Note</b>	116	270920	Seal-O Ring	870	211291	Seat-Valve (Exhaust)
		213942 Head-Cylinder (Used Before Code Date 96080100).	116A	★271485	Seal-O Ring	871	231348	Bushing-Guide (Exhaust)
7	∅272694	Gasket-Cylinder Head	200	281024	Blade-Governor			<b>Note</b>
		<b>Note</b>	284	94073	Screw-Shoulder			63709 Bushing-Guide (Intake)
		★272536 Gasket-Cylinder Head (Used Before Code Date 96080100).	335	94732	Screw-Hex.	1019	496757	Label Kit
8	495785	Breather Assembly	337	802592	Plug-Spark (Resistor Type)	1058	272308	Owner's Manual
9	★∅272602	Gasket-Breather			<b>Note</b>			
10	94621	Screw-Hex.	383	89838	Wrench-Spark Plug			
			523	281081	Dipstick			
			523A	497968	Dipstick			
			525	280578	Tube-Oil Fill			

★ Included in Gasket Set-Part No. 298989.

∅ Included in Valve Overhaul Gasket Set-Part No. 498528.

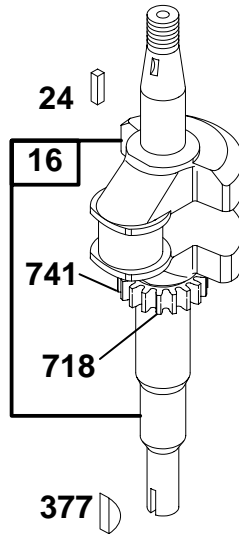


REF. NO.	PART NO.	DESCRIPTION	REF. NO.	PART NO.	DESCRIPTION	REF. NO.	PART NO.	DESCRIPTION
25	498668	Piston Assembly (Standard)	26	498680	Ring Set (Standard)	27	26026	Lock-Piston Pin
	298904	Piston Assy. (Standard)		298982	Ring Set (Standard)	28	298909	Pin-Piston (Standard)
		(Used Before Code Date 96020600).			(Used Before Code Date 96020600).		298908	Pin-Piston (.005" O.S.)
		<b>Note</b>			<b>Note</b>	29	294201	Rod-Connecting (Standard)
	498669	Piston Assy. (.010" O.S.)		498681	Ring Set (.010" O.S.)		296079	Rod-Conn. (.020" Undersize)
	298905	Piston Assy. (.010" O.S.)		298983	Ring Set (.010" O.S.)	32	94699	Screw-Connecting Rod
		(Used Before Code Date 96020600).			(Used Before Code Date 96020600).	33	296676	Valve-Exhaust
	498670	Piston Assy. (.020" O.S.)		498682	Ring Set (.020" O.S.)	34	296677	Valve-Intake
	298906	Piston Assy. (.020" O.S.)		298984	Ring Set (.020" O.S.)	35	260552	Spring-Valve
		(Used Before Code Date 96020600).			(Used Before Code Date 96020600).	40	93312	Retainer-Valve
	498671	Piston Assy. (.030" O.S.)		498683	Ring Set (.030" O.S.)	45	230173	Tappet-Valve
	298907	Piston Assy. (.030" O.S.)		298985	Ring Set (.030" O.S.)			
		(Used Before Code Date 96020600).			(Used Before Code Date 96020600).			

★ Included in Gasket Set-Part No. 298989.

∅ Included in Valve Overhaul Gasket Set-Part No. 498528.

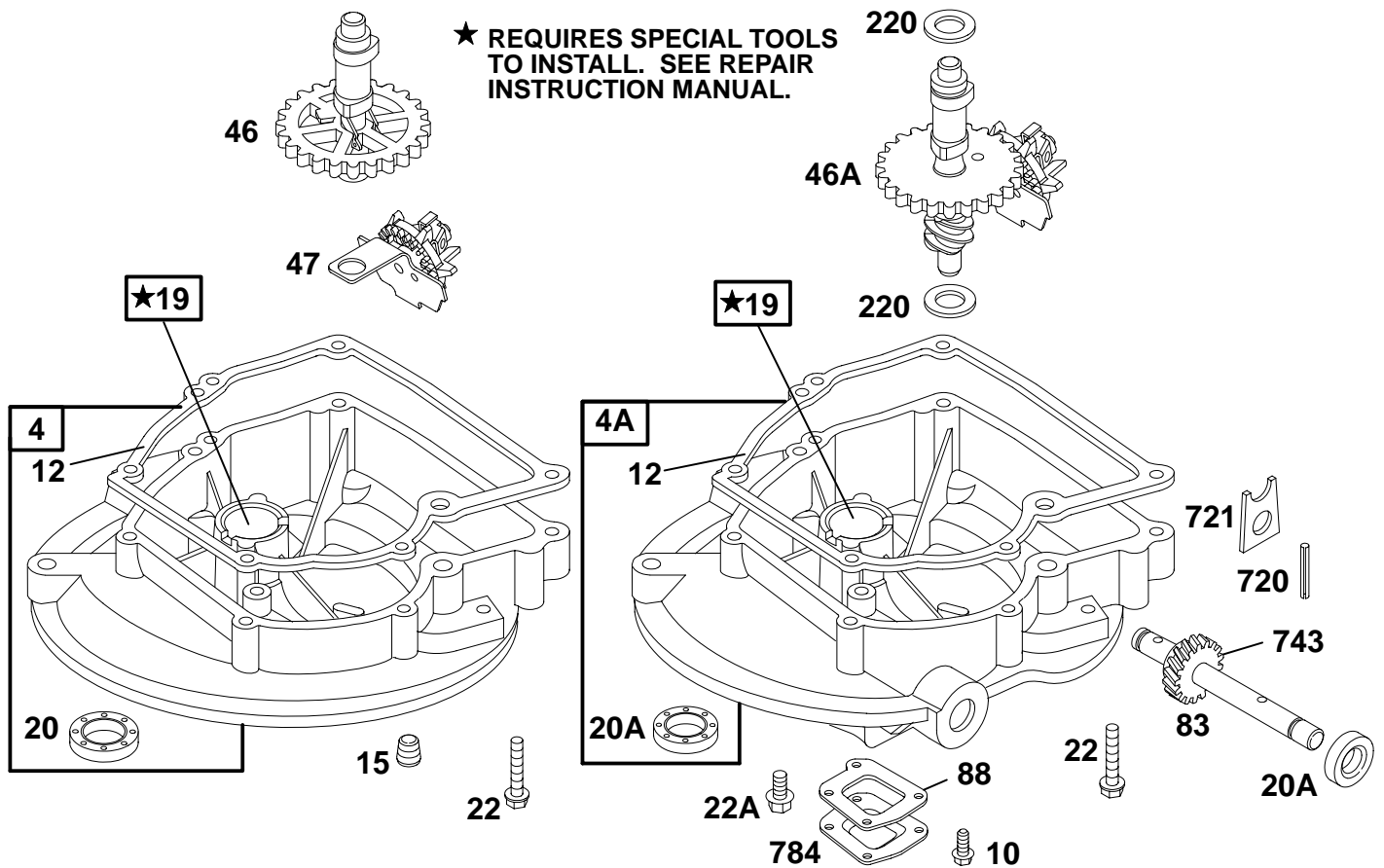
# 95900 to 95999



REF. NO.	PART NO.	DESCRIPTION	REF. NO.	PART NO.	DESCRIPTION	REF. NO.	PART NO.	DESCRIPTION
16	492748	Crankshaft <b>Note</b> <b>492086</b> Crankshaft Used on Type No(s). 0102, 0106, 0109, 0118, 0135, 0136, 0206, 0210, 0215, 0216, 0217, 0218, 0219, 0220, 0221, 0222, 0225, 0226, 0228, 3102, 3117, 3119, 3123, 3132, 3133, 3137, 3139, 3151, 3168, 3177, 3182, 3183, 3185, 3187, 3233, 5512, 5517, 5518, 5532.			<b>493618</b> Crankshaft Used on Type No(s). 3128, 3130. <b>494564</b> Crankshaft Used on Type No(s). 0108, 0119, 0131, 3105, 3115, 3124, 3131, 3140, 3149, 3181, 3184, 5515. <b>496069</b> Crankshaft Used on Type No(s). 3148, 3152, 3153, 3154.			<b>24</b> <b>222698</b> Key–Flywheel <b>377</b> <b>93065</b> Key–Woodruff Used on Type No(s). 0112, 0113. <b>718</b> <b>499047</b> Pin–Locating <b>741</b> <b>261533</b> Gear–Timing

★ Included in Gasket Set–Part No. 298989.

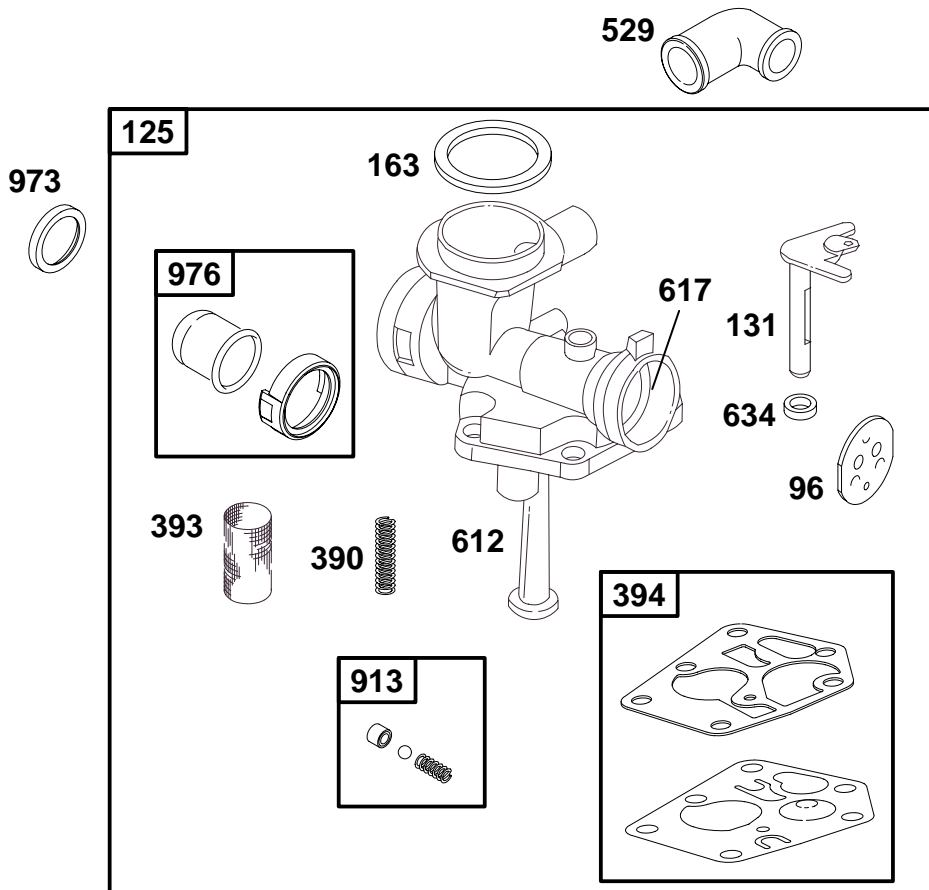
∅ Included in Valve Overhaul Gasket Set–Part No. 498528.



REF. NO.	PART NO.	DESCRIPTION	REF. NO.	PART NO.	DESCRIPTION	REF. NO.	PART NO.	DESCRIPTION
4	395384	Sump-Engine	22	94682	Screw-Hex.	88	★270328	Gasket-Cover
4A	395390	Sump-Engine	22A	93415	Screw-Hex.	220	68938	Washer-Thrust
10	94658	Screw-Hex.			One Used in Auxiliary Drive Gear Sump Used on Model Series 95980 to 95989.	720	93474	Pin-Shaft
		<b>Note</b>				721	221779	Stop-Shaft
12	★270833	Gasket-Crankcase (.015" Thick, Standard)	46	491675	Gear-Cam	743	231278	Gear-Drive (Clockwise)
		★270895 Gasket-Crankcase (.005" Thick)			<b>Note</b>			<b>Note</b>
		★270896 Gasket-Crankcase (.009" Thick)	46A	396197	Gear-Cam (Clockwise)			231279 Gear-Drive (Counterclockwise) Used on Type No(s). 0216, 3110, 3150, 3180, 3210, 5516.
15	94720	Plug-Oil Drain			<b>Note</b>	784	221780	Cover-Gear
19	293709	Bushing			493747 Gear-Cam Used on Type No(s). 3152, 3153, 3154.			
20	★391483	Seal-Oil			395317 Gear-Cam (Counterclockwise) Used on Type No(s). 0216, 3110, 3150, 3180, 3210, 5516.			
20A	391484	Seal-Oil Used on Type No(s). 0216, 3110, 3118, 3138, 3150, 3180, 3210, 5516.	47	491688	Slinger-Oil			
			83	230831	Shaft-Aux. Drive			

★ Included in Gasket Set-Part No. 298989.

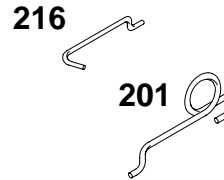
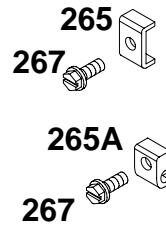
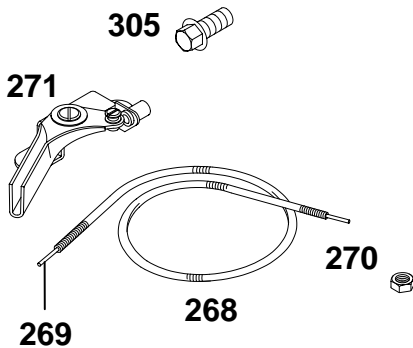
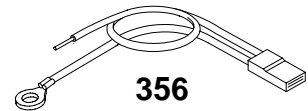
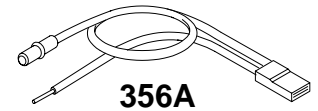
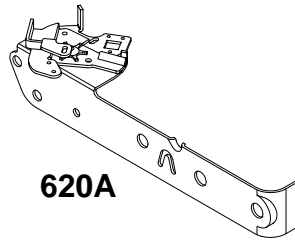
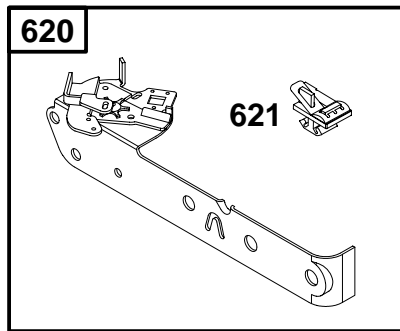
∅ Included in Valve Overhaul Gasket Set-Part No. 498528.



REF. NO.	PART NO.	DESCRIPTION	REF. NO.	PART NO.	DESCRIPTION	REF. NO.	PART NO.	DESCRIPTION
96	224412	Valve-Throttle	393	262734	Screen-Carburetor	617	270344	Seal-Intake Manifold
125	494775	Carburetor	394	495770	Diaphragm-Carburetor	634	280566	Washer-Foam
		<b>Note</b>	529	67838	Grommet	913	494409	Seat-Check Valve
		494407 Carburetor	612	496046	Tube-Pickup	973	281661	Ring-Trim
		(Used Before Code			<b>Note</b>	976	494408	Primer-Carburetor
		Date 96012300).			493981 Tube-Pickup			
131	281047	Shaft-Throttle			(Used Before Code			
163	★271139	Gasket-Air Cleaner			Date 96012300).			
390	262764	Spring-Choke						
		Diaphragm						

★ Included in Gasket Set-Part No. 298989.

∅ Included in Valve Overhaul Gasket Set-Part No. 498528.



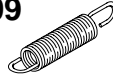
REF. NO.	PART NO.	DESCRIPTION	REF. NO.	PART NO.	DESCRIPTION	REF. NO.	PART NO.	DESCRIPTION
201	262753	Link-Air Vane	356A	496381	Wire-Stop	620A	498207	Bracket-Control (Used After Code Date 96040700).
216	262461	Link-Lockout	620	498206	Bracket-Control (Used After Code Date 96040700).			<b>Note</b> — <b>495486</b> Bracket-Control (Used After Code Date 92062100 and Before Code Date 96040800).
265	22372	Clamp-Casing			<b>Note</b> — <b>494629</b> Bracket-Control (Used Before Code Date 92062900).			<b>494630</b> Bracket-Control (Used Before Code Date 92062200).
265A	213146	Clamp-Casing			<b>494632</b> Bracket-Control (Used Before Code Date 92062900). Used on Type No(s). 0121.			<b>494631</b> Bracket-Control (Used Before Code Date 92062200). Used on Type No(s). 3119, 3126, 3131, 3132, 3135.
267	94694	Screw-Slotted Hex.						
268	66986	Casing-Wire (48" Long) (Cut to Required Length)						
269	26099	Wire-Control (54" Long) (Cut to Required Length)						
270	63426	Locknut-Casing						
271	290568	Lever-Control						
305	94153	Screw-Hex.						
356	398808	Wire-Stop						
		<b>Note</b> — <b>494934</b> Wire-Stop (Used Before Code Date 93080200). Used on Type No(s). 3135, 3154.						
								<b>621</b> <b>396847</b> Switch-Stop

★ Included in Gasket Set-Part No. 298989.

∅ Included in Valve Overhaul Gasket Set-Part No. 498528.

# 95900 to 95999

209

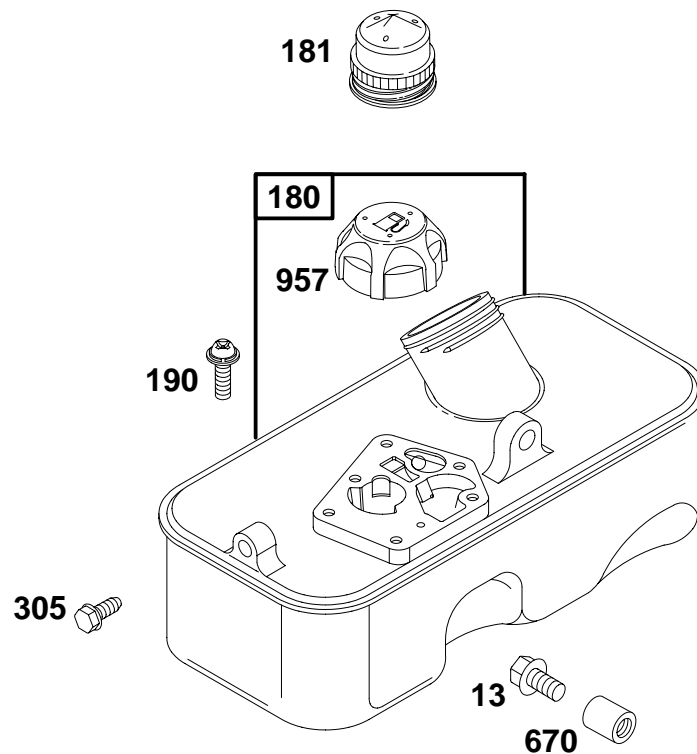


REF. NO.	PART NO.	DESCRIPTION	REF. NO.	PART NO.	DESCRIPTION	REF. NO.	PART NO.	DESCRIPTION
209	262760	Spring—Governor (Used After Code Date 93013100). Used on Type No(s). 0100, 0101, 0102, 0106, 0111, 0134, 0215, 0221, 0225, 3101, 3102, 3105, 3107, 3112, 3118, 3126, 3135, 3142, 3155, 3156, 3176, 3185, 3187, 5500, 5510, 5530, 5531, 5532.			0137, 0139, 0206, 0207, 0210, 0216, 0217, 0218, 0219, 0220, 0222, 0226, 0229, 3106, 3115, 3117, 3119, 3123, 3124, 3130, 3131, 3132, 3133, 3137, 3138, 3139, 3140, 3149, 3150, 3151, 3153, 3154, 3168, 3177, 3180, 3181, 3182, 3183, 3184, 3210, 3233, 5512, 5515, 5516, 5517, 5518.			<b>262762</b> Spring—Gov. (Used After Code Date 93013100). Used on Type No(s). 3148. <b>262760</b> Spring—Gov. (Used Before Code Date 93020100). Used on Type No(s). 3148.
		<b>Note</b> <b>262761</b> Spring—Gov. (Used After Code Date 93013100). Used on Type No(s). 0110, 0112, 0113, 0114, 0118, 0120, 0121, 0122, 0123, 0124, 0125, 0126, 0128, 0129, 0138, 0227, 0228, 3129. <b>262759</b> Spring—Gov. (Used Before Code Date 93020100). Used on Type No(s). 0100, 0101, 0102, 0106, 0110, 0111, 0112, 0113, 0114, 0118, 0120, 0121, 0122, 0123, 0124, 0125, 3102, 3129, 3135, 3176. <b>262759</b> Spring—Gov. Used on Type No(s). 0108, 0125, 0128, 0133, 0135, 0136,			<b>262759</b> Spring—Gov. (Used After Code Date 92080900). Used on Type No(s). 3152. <b>262759</b> Spring—Gov. (Used After Code Date 93013100). Used on Type No(s). 3110. <b>262756</b> Spring—Gov. (Used Before Code Date 92081000). Used on Type No(s). 3152. <b>262756</b> Spring—Gov. (Used Before Code Date 93020100). Used on Type No(s). 3110.			<b>262942</b> Spring—Gov. (Used After Code Date 93013100). Used on Type No(s). 0107, 0109, 0115, 0117, 0126, 0129, 0131. <b>262762</b> Spring—Gov. (Used Before Code Date 93020100). Used on Type No(s). 0107, 0109, 0115, 0117, 0126, 0129, 0131. <b>262943</b> Spring—Gov. (Used After Code Date 93013100). Used on Type No(s). 0119, 3126, 3128. <b>262761</b> Spring—Gov. (Used Before Code Date 93020100). Used on Type No(s). 0119, 3126, 3128.

★ Included in Gasket Set—Part No. 298989.

∅ Included in Valve Overhaul Gasket Set—Part No. 498528.



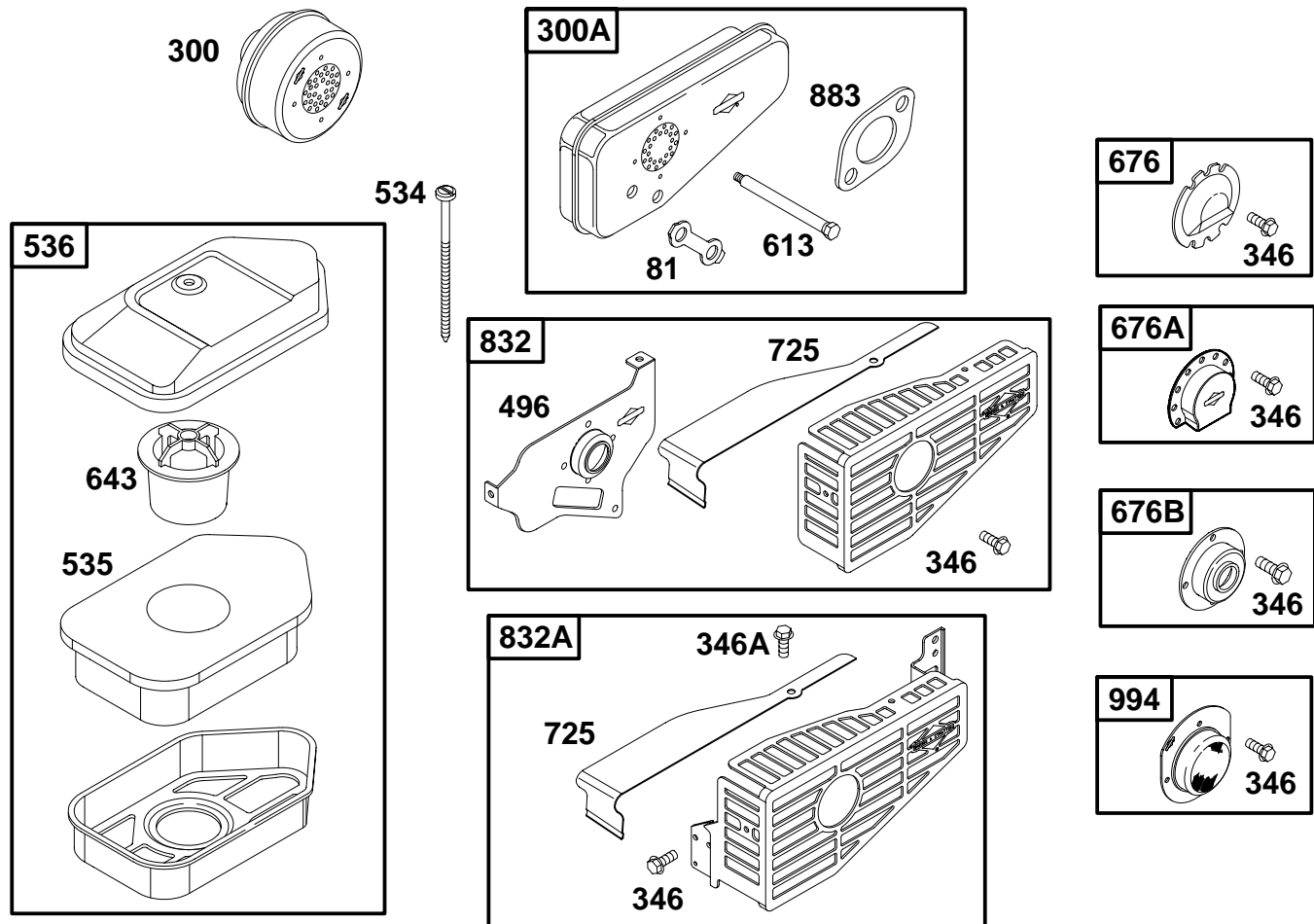


REF. NO.	PART NO.	DESCRIPTION	REF. NO.	PART NO.	DESCRIPTION	REF. NO.	PART NO.	DESCRIPTION
13	93111	Screw-Hex.	670	94047	Spacer-Fuel Tank <b>Used on Compliance Engines</b> (Used After Code Date 97071300).	957	497929	Cap-Fuel Tank
180	494406	Tank-Fuel						
181	493982	Cap-Fuel Tank						
190	94712	Screw-Phillips						
305	94153	Screw-Hex.						
					<b>Note</b>			
					94038 Spacer <b>Used on Non Compliance Engines</b> (Used Before Code Date 97071400).			

★ Included in Gasket Set-Part No. 298989.

∅ Included in Valve Overhaul Gasket Set-Part No. 498528.

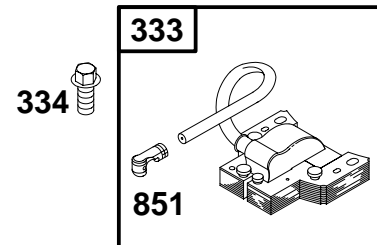
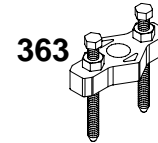
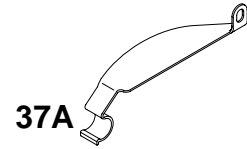
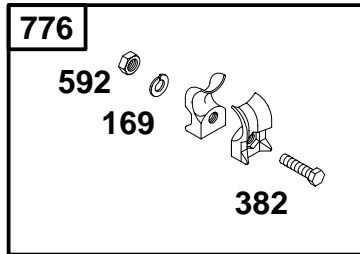
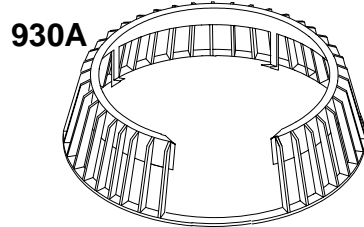
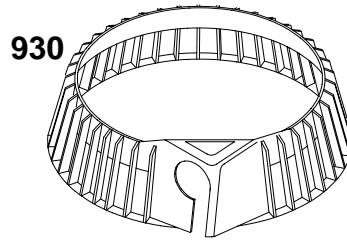
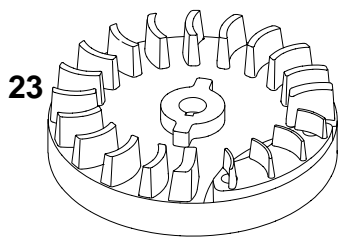
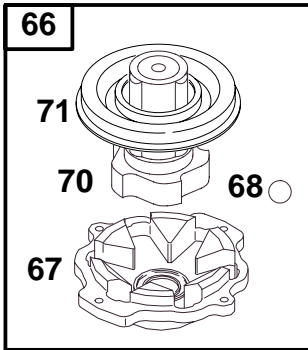
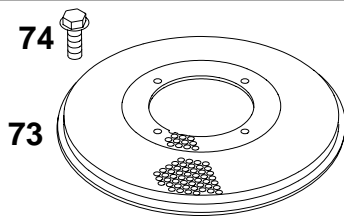
# 95900 to 95999



REF. NO.	PART NO.	DESCRIPTION	REF. NO.	PART NO.	DESCRIPTION	REF. NO.	PART NO.	DESCRIPTION
81	223256	Lock-Muffler Screw	536	493492	Cleaner-Air	832A	494896	Guard-Muffler
300	394569	Muffler-Exhaust (Lo Tone)	613	93935	Screw-Shoulder			<b>Note</b>
300A	394644	Muffler-Exhaust	643	280972	Retainer-Air Filter			498145 Guard-Muffler
346	93705	Screw-Hex.	676	393756	Deflector-Muffler			Used on Type No(s).
346A	94602	Screw-Hex.	676A	393760	Deflector-Muffler			3112, 3142, 3156,
496	223600	Bracket-Guard	676B	397931	Deflector-Muffler			3183, 3184, 3187,
534	93865	Screw-Slotted	725	223725	Shield-Heat			5531.
535	272235	Filter-Air	832	493967	Guard-Muffler	883	★Ø272252	Gasket-Exhaust
						994	398067	Arrester-Spark

★ Included in Gasket Set-Part No. 298989.

Ø Included in Valve Overhaul Gasket Set-Part No. 498528.

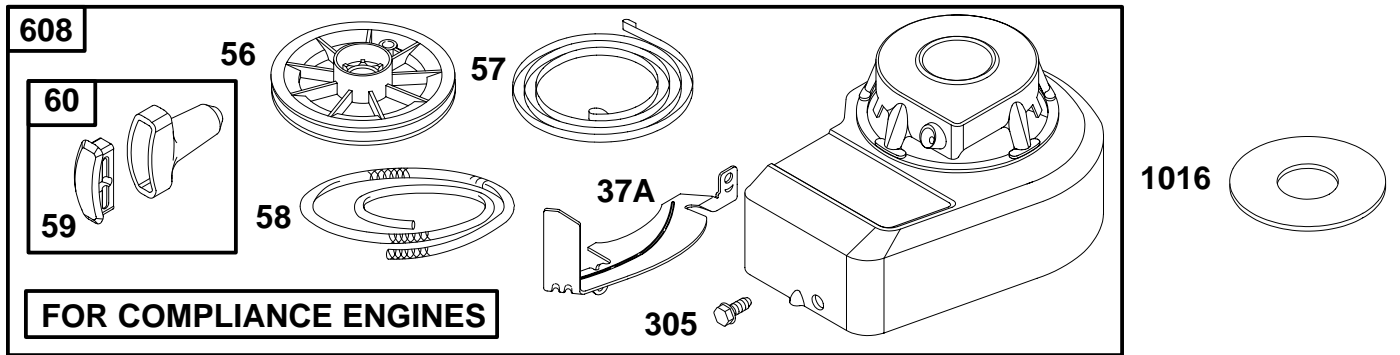


REF. NO.	PART NO.	DESCRIPTION	REF. NO.	PART NO.	DESCRIPTION	REF. NO.	PART NO.	DESCRIPTION
23	495046	Flywheel <b>Note</b> 496278 Flywheel Used on Type No(s). 0216, 0221, 0225, 0226, 0228. 496893 Flywheel Used on Type No(s). 0135.	66	399671	Clutch-Starter	592	92278	Nut-Hex.
			67	394897	Housing-Clutch	776	396526	Guide-Rope
			68	63770	Ball-Clutch	851	493880	Terminal-Cable
			70	298799	Ratchet-Clutch	930	281279	Guard-Rewind
			71	394506	Cover-Ratchet			<b>Note</b>
			73	221661	Screen-Rotating			280684 Guard-Rewind (Used Before Code Date 91080500).
			74	93758	Screw-Hex.	930A	281337	Guard-Finger
			75	223047	Washer-Flywheel	946	223294	Stop-Rope
			76	68238	Seal			
37	224819	Guard-Flywheel <b>Note</b> 222403 Guard-Flywheel (Used Before Code Date 92110200).	169	90832	Washer-Lock			
			333	496914	Armature-Magneto			
			334	94731	Screw-Hex.			
			363	19069	Flywheel Puller			
			382	92636	Screw-Hex.			

★ Included in Gasket Set-Part No. 298989.

∅ Included in Valve Overhaul Gasket Set-Part No. 498528.

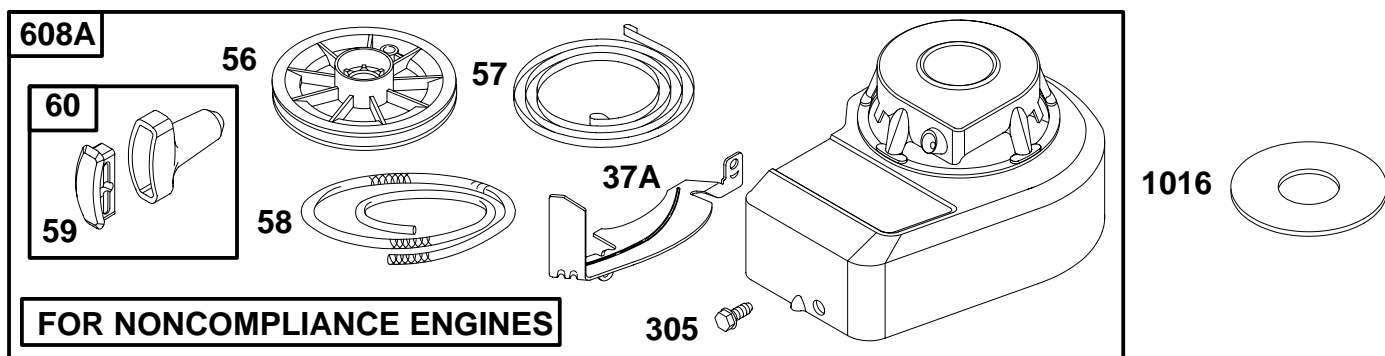
# 95900 to 95999



REF. NO.	PART NO.	DESCRIPTION	REF. NO.	PART NO.	DESCRIPTION	REF. NO.	PART NO.	DESCRIPTION
37A	225013	Guard–Flywheel						(Used After Code Date 95072300).
56	280439	Pulley–Starter <b>Note</b> 281336 Pulley–Starter Used on Type No(s). 5500, 5510, 5512, 5515, 5516, 5517, 5518, 5530, 5532.			3119, 3133, 3135, 3139, 3142, 3151, 3155, 3156, 3168, 3176, 3182, 3183, 3185, 3233. 494495 Starter– Rewind <b>5 O’Clock Compliance Engines</b> (Used Before Code Date 95072400). Used on Type No(s). 0133, 0206, 0207, 3101, 3106, 3107, 3117, 3119, 3133, 3135, 3139, 3151, 3152, 3155, 3168, 3176. 497809 Starter– Rewind <b>5 O’Clock Compliance Engines</b> Used on Type No(s). 5500, 5510, 5517, 5518, 5530, 5531, 5532. 497802 Starter– Rewind <b>6 O’ Clock Compliance Engines</b> (Used After Code Date 95072300). 494291 Starter– Rewind <b>6 O’ Clock Compliance Engines</b> (Used Before Code Date 95072400). 497804 Starter– Rewind <b>8 O’ Clock Compliance Engines</b>			494456 Starter– Rewind <b>8 O’ Clock Compliance Engines</b> (Used Before Code Date 95072400). 497807 Starter– Rewind <b>11 O’ Clock Compliance Engines</b> 494913 Starter– Rewind <b>11 O’ Clock Compliance Engines</b> (Used Before Code Date 95072400). 497803 Starter– Rewind <b>12 O’ Clock Compliance Engines</b> 494402 Starter– Rewind (Used Before Code Date 95072400). 497812 Starter– Rewind <b>12 O’ Clock Compliance Engines</b> (Used After Code Date 95072300). Used on Type No(s). 5512, 5515. 496337 Starter– Rewind <b>12 O’ Clock Compliance Engines</b> (Used Before Code Date 95072400). Used on Type No(s). 5512, 5515.
57	490179	Spring–Rewind Starter						1016 490817 Spacer–Rewind
58	280406	Rope–Starter (82" Long) (Cut to Required Length) <b>Note</b> 280399 Rope–Starter (99" Long) (Cut to Required Length)						
59	396892	Insert–Grip						
60	393152	Grip–Starter Rope						
305	94153	Screw–Hex.						
608	497806	Starter–Rewind <b>3 O’Clock Compliance Engines</b> (Used After Code Date 95072300). 494738 Starter– Rewind <b>3 O’Clock Compliance Engines</b> (Used Before Code Date 95072400). 497805 Starter– Rewind <b>5 O’Clock Compliance Engines</b> (Used After Code Date 95072300). Used on Type No(s). 0133, 0137, 0139, 0206, 0207, 0219, 0222, 3101, 3105, 3107, 3112, 3117,						

★ Included in Gasket Set–Part No. 298989.

∅ Included in Valve Overhaul Gasket Set–Part No. 498528.

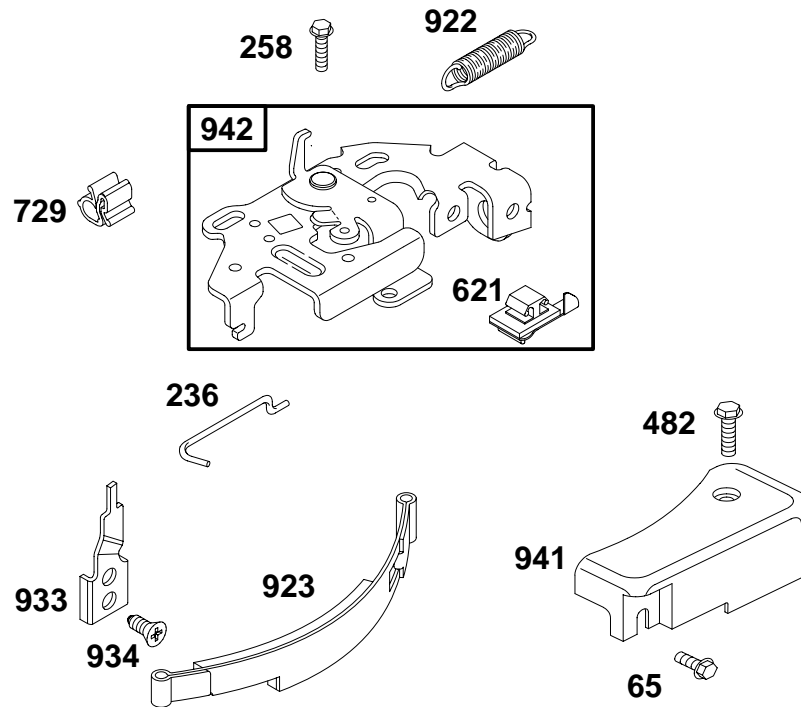


REF. NO.	PART NO.	DESCRIPTION	REF. NO.	PART NO.	DESCRIPTION	REF. NO.	PART NO.	DESCRIPTION
37A	225013	Guard–Flywheel			<b>3 O' Clock Non Compliance Engines</b>			<b>494123</b> Starter–Rewind
56	280439	Pulley–Starter <b>Note</b> <b>281336</b> Pulley–Starter Used on Type No(s). 5500, 5510, 5512, 5515, 5516, 5517, 5518, 5530, 5532.			(Used After Code Date 95072300). Used on Type No(s). 0215, 0221.			<b>6 O' Clock Non Compliance Engines</b> (Used Before Code Date 95072400).
57	490179	Spring–Rewind Starter			<b>497414</b> Starter–Rewind			<b>497786</b> Starter–Rewind
58	280406	Rope–Starter (82" Long) (Cut to Required Length) <b>Note</b> <b>280399</b> Rope–Starter (99" Long) (Cut to Required Length)			<b>3 O' Clock Non Compliance Engines</b> (Used Before Code Date 95072400). Used on Type No(s). 0215, 0221.			<b>8 O' Clock Non Compliance Engines</b> (Used After Code Date 95072300).
59	396892	Insert–Grip			<b>497791</b> Starter–Rewind			<b>8 O' Clock Non Compliance Engines</b> (Used Before Code Date 95072400).
60	393152	Grip–Starter Rope			<b>4 O' Clock Non Compliance Engines</b> Used on Type No(s). 0114.			<b>497785</b> Starter–Rewind
305	94153	Screw–Hex.			<b>497794</b> Starter–Rewind			<b>9 O' Clock Non Compliance Engines</b> (Used After Code Date 95072300).
608A	497792	Starter–Rewind <b>3 O' Clock Non Compliance Engines</b> (Used After Code Date 95061900). Used on Type No(s). 0100, 0102, 0106, 0108, 0111, 0125, 0134, 0210, 0217. <b>494571</b> Starter–Rewind <b>3 O' Clock Non Compliance Engines</b> (Used Before Code Date 95062000). Used on Type No(s). 0100, 0102, 0106, 0108, 0111, 0125, 0134, 0210, 0217. <b>497793</b> Starter–Rewind			<b>5 O' Clock Non Compliance Engines</b> (Used After Code Date 95072300). Used on Type No(s). 0135, 0136, 0228. <b>495825</b> Starter–Rewind <b>5 O' Clock Non Compliance Engines</b> (Used Before Code Date 95072400). Used on Type No(s). 0135, 0216, 0220. <b>497790</b> Starter–Rewind <b>6 O' Clock Non Compliance Engines</b> (Used After Code Date 95072300).			<b>493594</b> Starter–Rewind <b>8 O' Clock Non Compliance Engines</b> (Used Before Code Date 95072400).
								<b>497784</b> Starter–Rewind <b>12 O' Clock Non Compliance Engines</b> (Used After Code Date 95072300).
								<b>493469</b> Starter–Rewind <b>12 O' Clock Non Compliance Engines</b> (Used Before Code Date 95072400).
								<b>1016 490817</b> Spacer–Rewind

★ Included in Gasket Set–Part No. 298989.

∅ Included in Valve Overhaul Gasket Set–Part No. 498528.

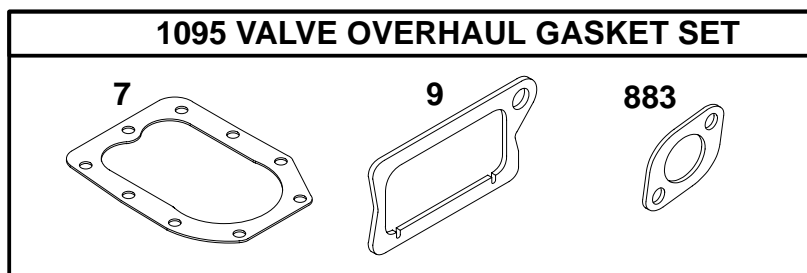
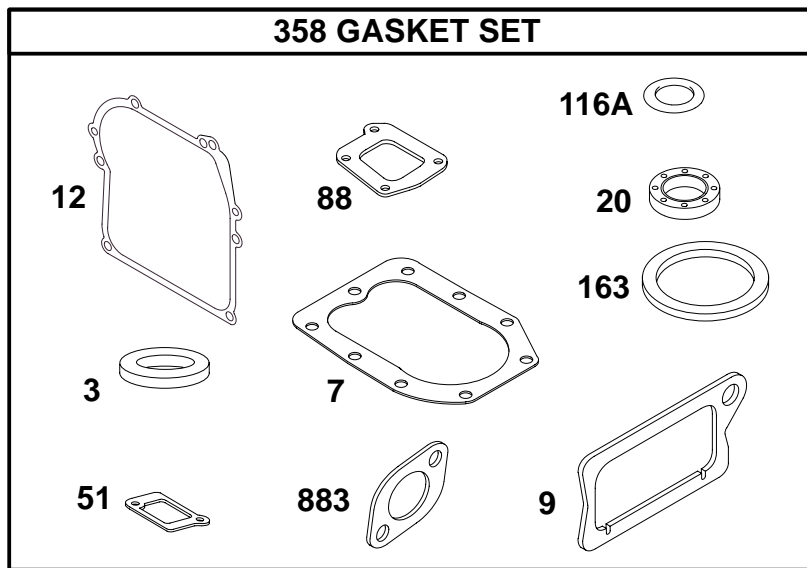
# 95900 to 95999



REF. NO.	PART NO.	DESCRIPTION	REF. NO.	PART NO.	DESCRIPTION	REF. NO.	PART NO.	DESCRIPTION
65	93758	Screw-Hex.	621	396847	Switch-Stop	933	223448	Pivot-Band Brake
236	262461	Link-Lockout	729	280470	Clip-Wire	934	94037	Screw-Phillips
258	94018	Screw-Hex.	922	261647	Spring-Brake	941	281285	Cover-Linkage
482	93621	Screw-Hex.	923	394867	Brake	942	493248	Bracket-Brake

★ Included in Gasket Set-Part No. 298989.

∅ Included in Valve Overhaul Gasket Set-Part No. 498528.



REF. NO.	PART NO.	DESCRIPTION	REF. NO.	PART NO.	DESCRIPTION	REF. NO.	PART NO.	DESCRIPTION		
3	★299819	Seal-Oil	12	★270833	Gasket-Crankcase (.015" Thick, Standard)	51	★270345	Gasket-Intake		
7	∅272694	Gasket-Cylinder Head			★270895 Gasket-Crankcase (.005" Thick)	88	★270328	Gasket-Cover		
		<b>Note</b>			★270896 Gasket-Crankcase (.009" Thick)	116A	★271485	Seal-O Ring		
		★272536 Gasket-Cylinder Head (Used Before Code Date 96080100).			20	★391483	Seal-Oil	163	★271139	Gasket-Air Cleaner
9	★∅270239	Gasket-Breather						358	298989	Gasket Set
								883	★∅272252	Gasket-Intake
								1095	498526	Gasket Set-Valve Overhaul

★ Included in Gasket Set-Part No. 298989.

∅ Included in Valve Overhaul Gasket Set-Part No. 498528.

