

**96500 to 96599**

# Illustrated Parts List

## Model Series

**96500 to 96599**

## Non-Compliance

### TYPE NUMBERS

0100, 0101, 0111,  
0113, 0114, 0115.

## Compliance

### TYPE NUMBERS

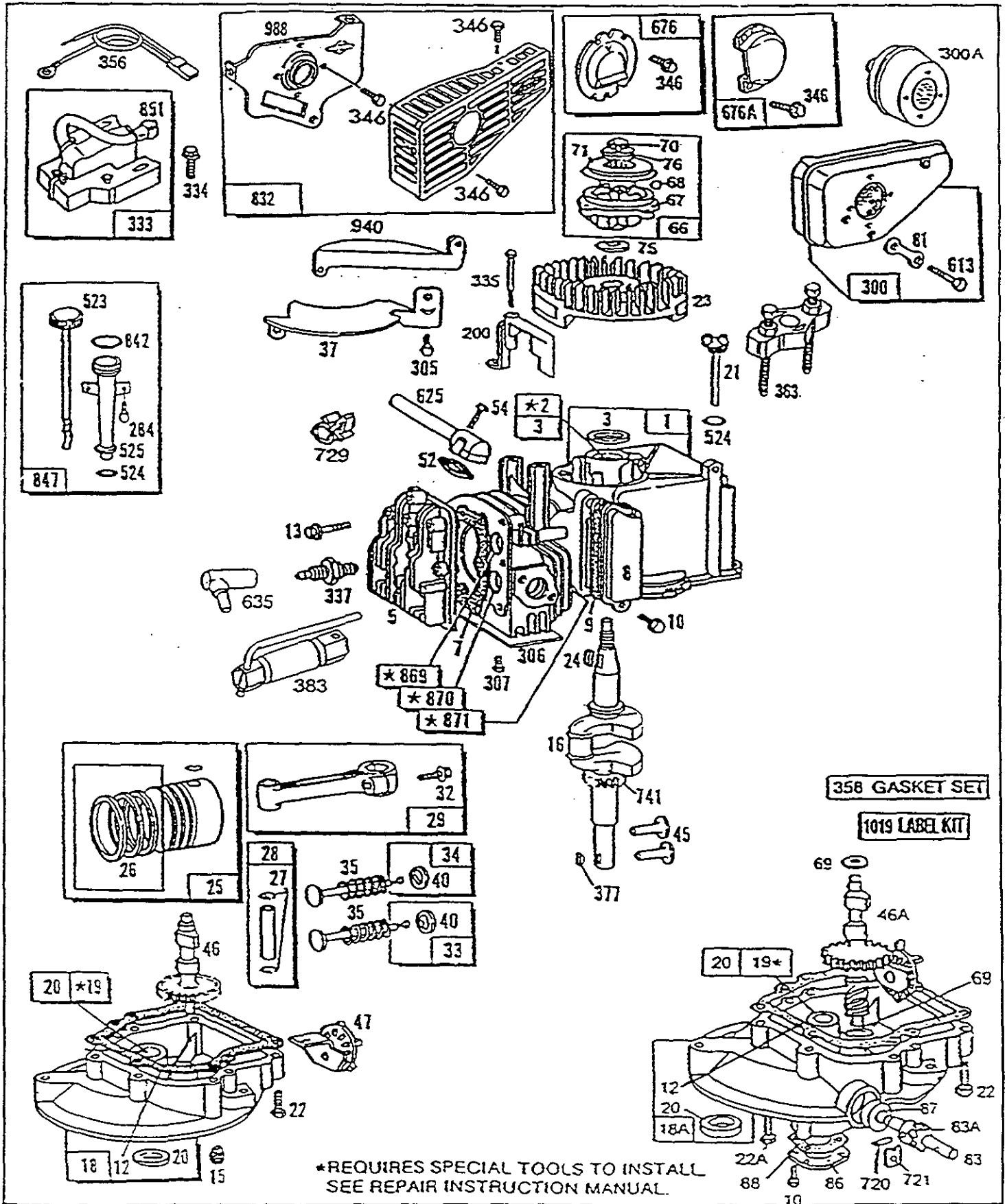
3100, 3101,  
3113 through 3136  
3187 through 3191  
3199, 3200, 3202,  
3510, 3511.

### TO FIND

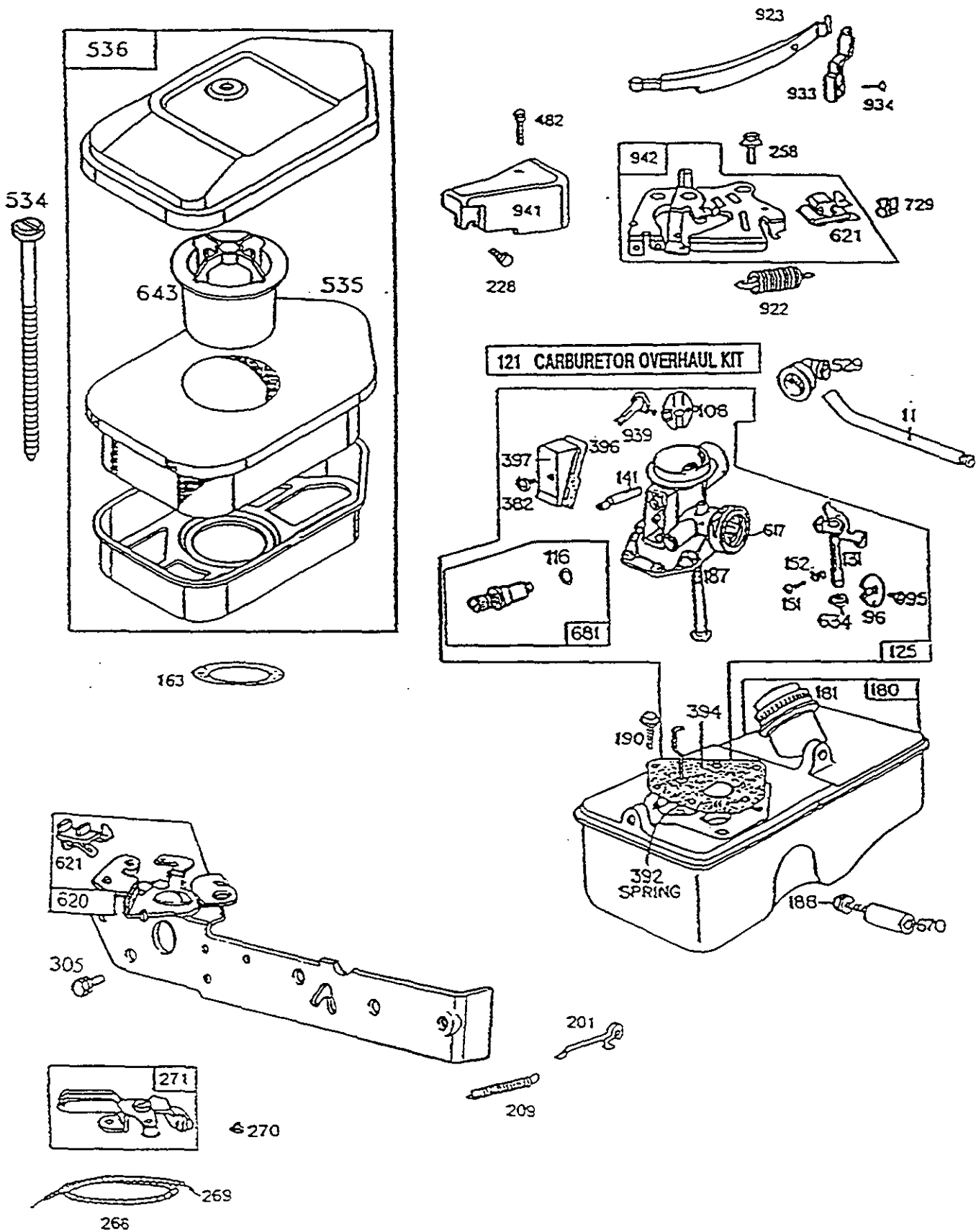
### THE CORRECT NUMBER OF THE PART YOU NEED: FOLLOW THE INSTRUCTIONS BELOW

- A. Refer to Engine Model, Type and Code Number that is stamped on the blower housing of engine. Engine type numbers such as 0123 01 are listed only as 0123 in most instances. The two digits (01 or 02, etc.) to the right of the space may be required for more accurate parts identification in some instances. Select the Illustrated Parts List covering the correct Model Series and Type Number.
- B. Refer to the Illustrations and compare the original part with illustration. The number next to the illustration is the Reference Number. Assemblies include all parts shown in frames. All parts shown in assembly frames having individual reference numbers can be purchased separately.
- C. After the Reference Number has been identified, refer to the Numerical text, where Reference and Primary Part Number are listed. **THE PRIMARY PART IS USED ON ALL TYPE NUMBERS EXCEPT THOSE TYPE NUMBERS UNDER "NOTE."**
- D. If a "Note" appears below the Primary Part Number, it means that this part differs from the Primary Part for certain types. If your Type number is listed under "Note," order the part referred to at the "Note."
- E. If your Engine Type Number does not appear after any part number listed under "Note," use the Primary Part Number.
- F. For Engine Type Numbers not covered by this book, check other Parts Lists having the same engine model or contact your source of supply.

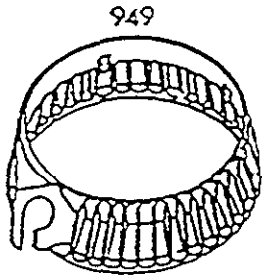
# 96500 to 96599



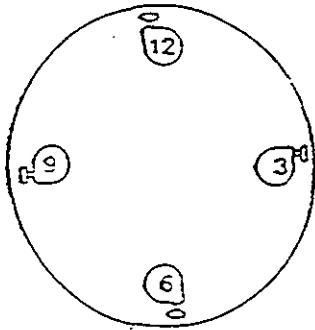
\*REQUIRES SPECIAL TOOLS TO INSTALL  
SEE REPAIR INSTRUCTION MANUAL.



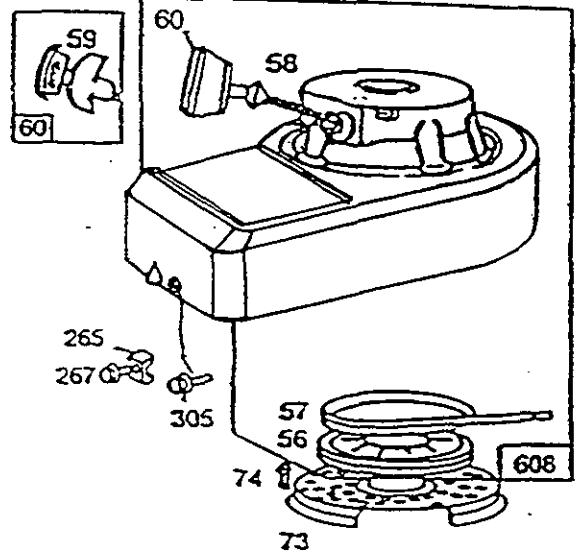
# 96500 to 96599



↑  
CYLINDER  
HEAD



O'CLOCK POSITION



## REWIND STARTER ASSEMBLIES FOR BAND-BRAKE CLOCK POSITIONS

REWIND STARTER ASSEMBLIES FOR BAND-BRAKE CLOCK POSITIONS					
1:30	3	5	6	9	12
493797	494738	493479	493596	493943	493300

## REWIND STARTER ASSEMBLIES FOR NON-BAND-BRAKE CLOCK POSITIONS

REWIND STARTER ASSEMBLIES FOR NON-BAND-BRAKE CLOCK POSITIONS				
3	5	6	8	12
493488	494509	493481	493594	493469

# 96500 to 96599

REF. NO.	PART NO.	DESCRIPTION	REF. NO.	PART NO.	DESCRIPTION	REF. NO.	PART NO.	DESCRIPTION
1	399164	Cylinder Assembly		494564	Crankshaft (Used After Code Date 91063000).	<b>MODEL 96500 SERIES</b>		
2	293708	Bushing-Cyl. (Plain) <b>Note:</b> Requires Special Tools For Installation.		493846	Crankshaft (Used Before Code Date 91070100). Used on Type Nos. 3115, 3124.	<b>PISTON RING SETS:</b>		
3	*299819	Seal-Oil						<b>Note:</b> For Chrome Piston Ring Set (Standard Size) Order Part No. 299742.
5	211479	Head-Cylinder <b>Note:</b> 213942 Head-Cylinder Used on Engines with Muffler Guard.				26	298982	Ring Set-Piston (Standard)
7	*272170	Gasket-Cylinder Head		494564	Crankshaft (Used After Code Date 91063000).		298983	Ring Set-Piston (.010" O.S.)
8	298383	Breather-Viv. Chamber		494034	Crankshaft (Used Before Code Date 91070100). Used on Type No. 3191.		298984	Ring Set-Piston (.020" O.S.)
9	*270239	Gasket-Valve Cover					298985	Ring Set-Piston (.030" O.S.)
10	93394	Screw-Breather and P.T.O. Gear Cover (Ref. No. 86) Mtg. Sem				27	26026	Lock-Piston Pin
11	231272	Tube-Breather				28	298909	Pin Assy.-Piston (Std.)
12	*270833	Gasket-Crankcase (.015" Thick, Standard)	18	395384	Sump-Engine		298908	Pin Assembly-Piston (.005" O.S.)
	*270895	Gasket-Crankcase (.005" Thick)	18A	395390	Sump-Engine Used on Model 96582 Series Engines	29	294201	Rod Assy.-Connecting <b>Note:</b> For Connecting Rod With .020" Undersize Crankpin Bore-Order No. 296079.
	*270896	Gasket-Crankcase (.009" Thick)	19	293709	Bushing-Engine Sump (Plain) <b>Note:</b> Requires Special Tools For Installation.	32	94404	Screw-Connecting Rod
13	93111	Screw-Cylinder Head (1-15/16" Long)				33	296676	Valve-Exhaust
15	91084	Plug-Oil Drain (Square Head) <b>Note:</b> 93418 Plug-Oil Drain (Flush)	20	*391483	Seal-Oil	34	296677	Valve-Intake
			21	281081	Plug-Oil Fill	35	260552	Spring-Intake Valve
			22	93032	Screw-Mtg. Sem	37	223150	Guard-Flywheel
16	492748	Crankshaft <b>Note:</b> To Replace Crankshaft Gear Pin, Order Part No. 230978.	22A	93415	Screw-Mtg. Sem One Used in Aux. Drive Gear Sump on Model 96582 Series Engines.	40	93312	Retainer-Valve Spring
						45	230173	Tappet-Valve
						46	491675	Gear-Cam
						46A	396197	Cam Gear, Worm and Oil Slinger Assy. (Clockwise) <b>Note:</b> 395317 Cam Gear, Worm and Oil Slinger Assy. (Counterclockwise) Used on Type Nos. 3113, 3114, 3116, 3119, 3125, 3130, 3134, 3136, 3189.
			23	395653	Flywheel-Magneto <b>Note:</b> 394066 Flywheel-Magneto Used on Type Nos. 0110, 0113.	47	491688	Oil Slinger Gear and Bracket
			24	222698	Key-Flywheel	52	*270345	Gasket-Intake Elbow
			25	298904	Piston Assy. (Standard)	54	93485	Screw-Intake Elbow Mounting
				298905	Piston Assy. (.010" O.S.)	56	280439	Pulley-Rewind Starter
				298906	Piston Assy. (.020" O.S.)	57	490179	Spring-Rewind Starter
				298907	Piston Assy. (.030" O.S.)			

\* Included in Gasket Set-Part No. 298989.

● Included in Carburetor Overhaul Kit-Part No. 494622.

# 96500 to 96599

REF. NO.	PART NO.	DESCRIPTION	REF. NO.	PART NO.	DESCRIPTION	REF. NO.	PART NO.	DESCRIPTION
58	280406	Rope-Rewind Starter (81" Long, For Intermediate Lengths, Cut to Required Size. <b>Note:</b> If Longer Rope is Needed, Order No. 280399 and Cut to Required Length.	121	494622	Carburetor Overhaul Kit	268	66986	Casing-Control Wire (48" Long) <b>Note:</b> If Longer Casing is Needed, Specify Length in Inches; if a Shorter Casing is Needed Order No. 66986 and Cut to Required Length.
59	396892	Insert-Starter Rope	125	395375	Carburetor Assembly	269	26099	Wire-Control (54" Long) <b>Note:</b> If Longer Wire is Needed, Specify Length in Inches; if Shorter Wire is Needed, Order No. 26099 and Cut to Required Length.
60	393152	Grip-Starter Rope	131	394588	Shaft and Lever- Throttle			
66	399671	Clutch Assembly- Rewind Starter	141	68908	Shaft-Choke			
67	394897	Housing-Starter Clutch	151	93524	Screw-Rd. Hd.			
68	63770	Ball-Clutch	152	260746	Spring-Throttle Adj.			
69	68938	Washer-Thrust	163	●271139	Gasket-Air Cleaner Mounting			
70	298799	Ratchet-Rewind Starter	180	396778	Tank Assembly-Fuel			
71	394506	Washer-Clutch Retainer	181	298425	Cap-Fuel Tank			
73	221661	Screen-Rewind Starter	187	393001	Pipe-Fuel			
74	93758	Screw-Sem	188	94102	Screw-Fuel Tank and Starter Mounting			
75	223047	Washer-Spring	190	93440	Screw-Fuel Tank Mtg.			
76	68238	Washer-Ratchet Sealing	200	68388	Blade-Governor			
81	223256	Lock-Muffler Screw	201	261027	Link-Governor <b>Note:</b> 260878 Link-Governor Used on Type Nos. 0110, 0113.	270	63426	Locknut-Control Wire Casing
83	230831	Shaft-Drive <b>Note:</b> 230948 Shaft-Drive Used on Type Nos. 3114, 3119, 3130, 3134, 3189. 231213 Shaft-Drive Used on Type Nos. 3125, 3136.	209	261106	Spring-Governor <b>Note:</b> 260877 Spring- Gov. Used on Type Nos. 0111, 3120. 261034 Spring-Gov. Used on Type Nos. 0100, 0101, 0110, 0114, 3100, 3101, 3121, 3133, 3134, 3136, 3187, 3199, 3200, 3202. 261105 Spring- Gov. Used on Type No. 3131. 261320 Spring Gov. Used on Type No. 0115. 261948 Spring- Gov. Used on Type Nos. 0113, 3116.	271	290568	Lever Assembly Control
83A	231278	Gear-Drive <b>Note:</b> 231279 Gear-Drive Used on Type Nos. 3113, 3114, 3116, 3119, 3125, 3130, 3134, 3136, 3189.				277	94073	Screw-Hex. Head
86	221780	Cover-Sump				284	94073	Screw-Hex. Head
87	391484	Seal-Oil	228	93490	Screw-Hex. Head	300	394644	Muffler-Exhaust
88	●270328	Gasket-Sump Cover	258	94018	Screw-Sem (Bracket to Cylinder)	300A	394569	Muffler-Exhaust (Lo-Tone)
95	93499	Screw-Throttle Valve Mounting Sem	265	22372	Clamp-Casing	305	94153	Screw-Blower Housing Mounting Sem
96	211203	Valve-Throttle	267	93469	Screw-Clamp Mtg.	306	221805	Cylinder-Shield
108	280370	Valve-Choke				307	93758	Screw-Cylinder Shield Mtg.
116	●280203	O-Ring				333	398593	Armature-Magneto
						334	93381	Screw-Armature Mounting Sem
						335	93435	Screw-Armature and Governor Blade Mounting Sem
						337	492167	Plug-Spark (1-7/8" High, 48 mm) <b>Note:</b> 293918 Plug-Spark (Resistor Type) (1-5/8" High, 42 mm) 802592 Plug-Spark (Resistor Type) (1-7/8" High, 48 mm)
						346	93705	Screw-Hex. Head
						356	398808	Wire-Ground
						358	298989	Gasket Set
						363	19069	Puller-Flywheel
						377	93065	Key-Woodruff No. 6

\* Included in Gasket Set-  
Part No. 298989.

● Included in Carburetor Overhaul Kit-  
Part No. 494622.

## 96500 to 96599

REF. NO.	PART NO.	DESCRIPTION	REF. NO.	PART NO.	DESCRIPTION	REF. NO.	PART NO.	DESCRIPTION
382	93864	Screw-Choke Link Cover	621	396847	Switch-Stop	870	211291	Seat-Exhaust Valve (Standard)
383	89838	Wrench-Spark Plug	625	298775	Tube-Fuel Intake			<b>Note:</b> For Installation and Options See Repair Manual.
392	261016	Spring-Fuel Pump Diaphragm	634	270167	Washer-Throttle Shaft (Felt)	871	231348	Guide-Exhaust Valve
394	●299637	Diaphragm-Carburetor	635	66538	Elbow-Spark Plug			<b>Note:</b> 63709 Guide-Intake Valve
396	●270571	Gasket-Choke Link Cover	643	280972	Cup-Air Cleaner			<b>See Repair Manual</b>
397	211678	Cover-Choke Link	670	94047	Spacer-Fuel Tank Used on Type Nos. Below 3000.	922	261647	Spring-Band Brake
482	93621	Screw-Sem			<b>Note:</b> 94038 Spacer-Fuel Tank	923	394867	Brake Assembly-Band
523	396372	Dipstick & Cap Assy.			Used on Type Nos. Above 3000.	933	223448	Pivot-Band Brake
524	*271485	Seal-Filler Tube	676	393756	Deflector-Muffler	934	94037	Screw-Band Brake Pivot
525	280578	Tube-Oil Fill	676A	393760	Deflector-Muffler	939	394929	Shaft Assembly-Choke
529	280368	Grommet-Breather	681	●395508	Needle Valve Kit (Nylon Body)	940	222403	Guard-Flywheel
534	93865	Screw-Air Cleaner	720	93474	Pin-Gear to Shaft	941	280395	Cover-Linkage
535	272235	Element-Air Cleaner	721	221779	Stop-Drive Shaft	942	493248	Bracket Assembly-and Lever
536	493492	Cleaner Assembly-Air	729	280470	Clip-Wire	949	281192	Guard-Rewind Starter (Used After Code Date 91080400).
608		Starter Assy.-Rewind See Chart on Illustrated Pages	741	261533	Gear-Timing			<b>Note:</b> 280684 Guard-Rewind Starter (Used Before Code Date 91080500).
613	93935	Screw-Muffler Mtg.	832	493967	Guard-Muffler	988	223600	Bracket-Muffler
617	●270344	Seal-Fuel Intake Tube	842	270920	Seal-Oil Fill Cap	1019	491082	Label Kit
620	299974	Plate-Carburetor Control	847	399030	Tube Assy.-Oil Fill			
		<b>Note:</b> 299975 Plate-Carburetor Control Used on Type Nos. 0110, 0111.	851	221798	Terminal-Ignition Cable			
		490781 Plate-Carburetor Control Used on Type Nos. 3510, 3511.	869	211172	Seat-Intake Valve (Standard)			

\* Included in Gasket Set-Part No. 298989.

● Included in Carburetor Overhaul Kit-Part No. 494622.